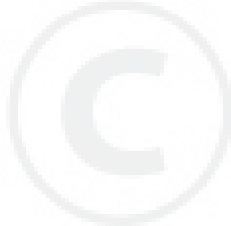
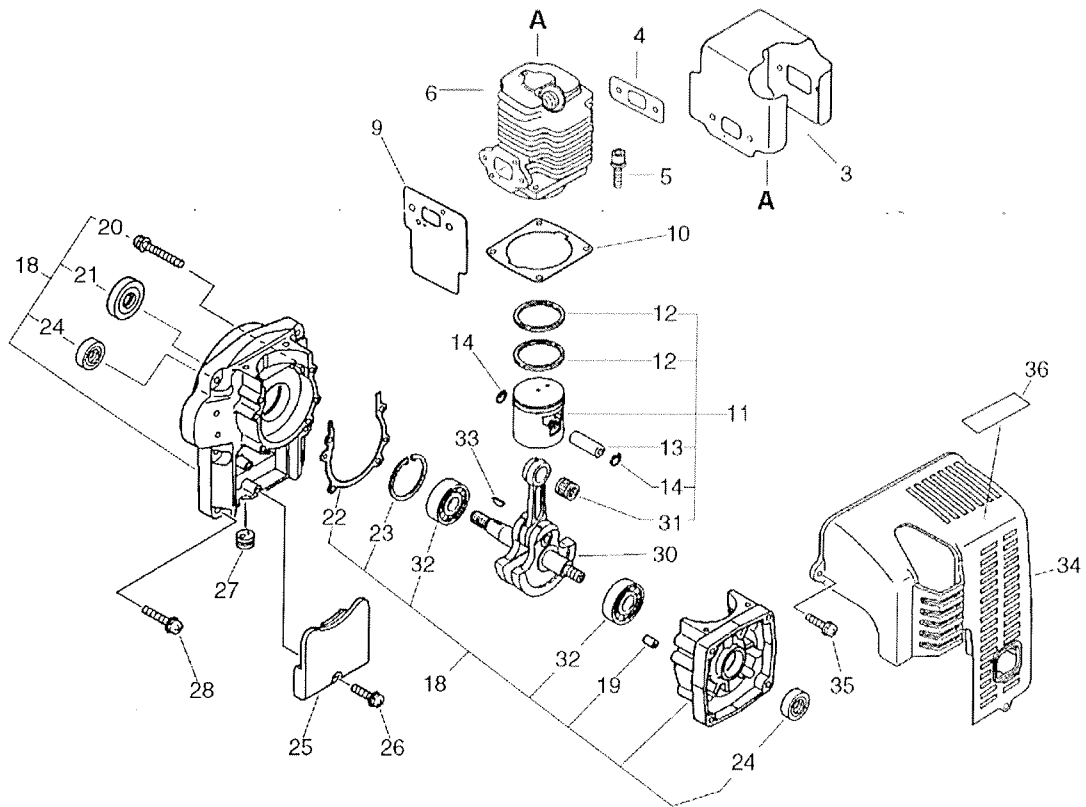


DM-4100
Cylinder, Crankcase, Piston

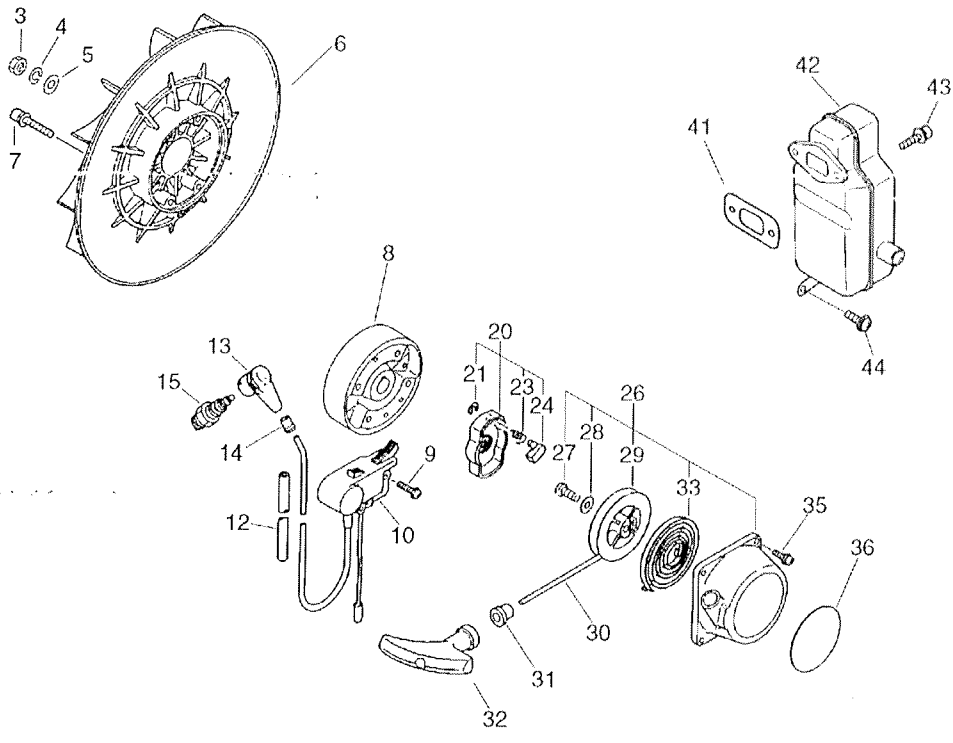


DM-4100

Cylinder, Crankcase, Piston

Key	Lv	Part no.	Part description	Quantity
3		101514-06610	COVER, CYLINDER	1
4		145510-06210	GASKET, MUFFLER	1
4		145510-06211	GASKET, MUFFLER	1
5		900162-05020	BOLT, H.S. 5*20	4
6		101011-05111	CYLINDER	1
9		130010-06410	GASKET, INTAKE	1
10		101010-10721	GASKET, CYL. BASE	1
10		101010-10722	GASKET, CYL. BASE	1
11		100000-10720	PISTON KIT	1
12	+	100011-01110	RING, PISTON	2
13	+	100013-03460	PIN, PISTON	1
14	+	100015-00120	CIRCLIP, PISTON PIN	2
31	+	100012-12330	BEARING, NEEDLE	1
31	+	100012-12331	BEARING, NEEDLE	1
18		100204-08260	CRANKCASE KIT	1
18		100204-08261	CRANKCASE KIT	1
19	+	100215-03930	PIN, DOWEL	2
20	+	900242-05040	SCREW 5*40	4
21	+	100213-02830	OILSEAL	1
22	+	100242-10720	GASKET, CRANKCASE	1
22	+	100242-10721	GASKET, CRANKCASE	1
23	+	900702-00035	CIRCLIP 35	1
24	+	100213-00310	OILSEAL	1
24	+	100213-00310	OILSEAL	2
32	+	900810-36202	BEARING, BALL 6202	2
25		159129-08260	COVER, DUST	1
26		900242-05018	SCREW 5*18	1
27		150112-00310	BUSHING	1
28		900292-05025	SCREW 5*25	6
30		100100-06610	CRANKSHAFT ASSY	1
33		900323-03014	KEY WOODRUFF	1
34		104016-06611	COVER, ENGINE	1
35		900292-05020	SCREW 5*20	3
36		890160-06360	LABEL, CAUTION	1
36		890160-06361	LABEL, CAUTION	1

DM-4100
Starter, Magneto, Muffler

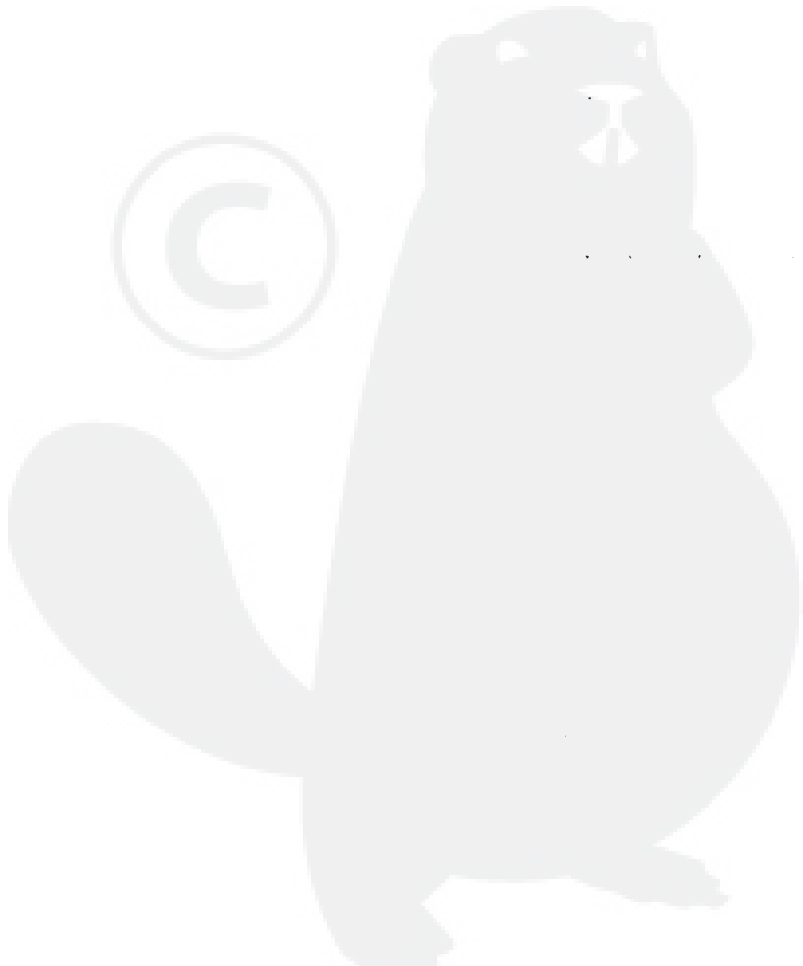
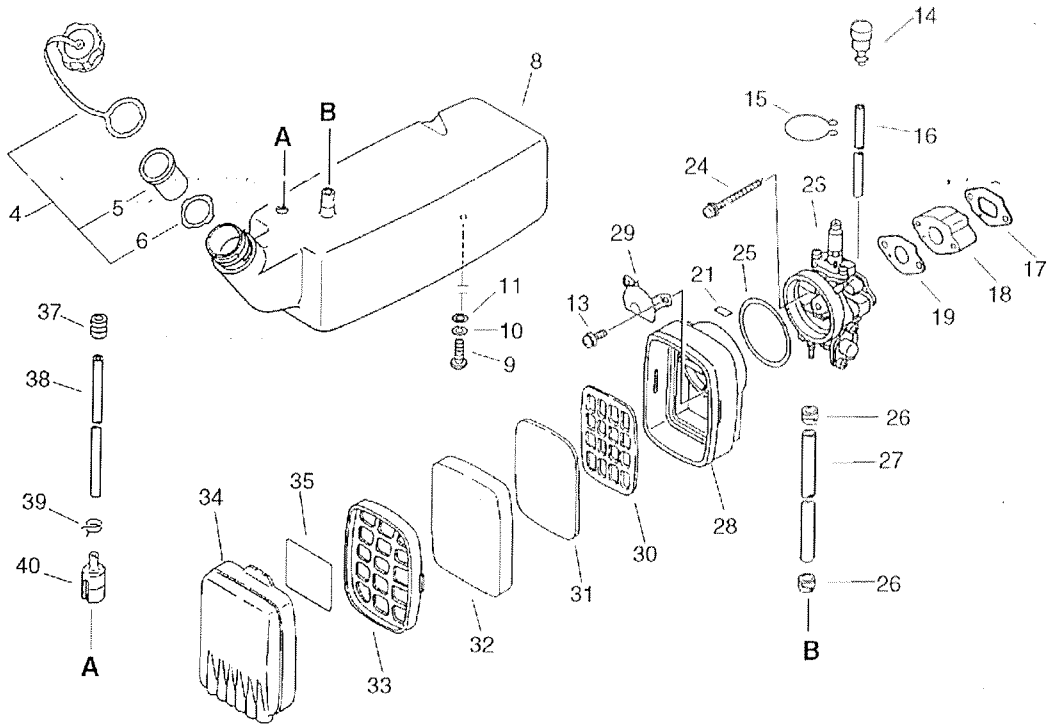


DM-4100

Starter, Magneto, Muffler

Key	Lv	Part no.	Part description	Quantity
3		900501-00010	NUT 10*1.25	1
4		900605-00010	WASHER, SPRING 10	1
5		900602-00010	WASHER 10(10.5*21*2)	1
6		200010-06610	FAN	1
7		900148-05035	BOLT 5*35	4
8		156800-06611	ROTOR	1
9		900242-05018	SCREW 5*18	2
10		156601-06211	C.D. IGNITION MODULE	1
12		156611-04260	TUBE	1
13		159012-10230	CAP, SPARK PLUG	1
14		159016-05330	ADAPTER, PLUG CAP	1
15		159010-10130	PLUG, SPARK (BMR-6A)	1
20		177202-06210	PAWL ASSY, STARTER	1
21	+	900700-00004	E-RING 4	1
23	+	177234-40630	SPRING, RETURN	1
24	+	177218-40630	PAWL, STARTER	1
26		177200-06210	STARTER ASSY	1
27	+	177236-40630	SCREW	1
28	+	177214-40630	WASHER	1
29	+	177215-11120	DRUM, STARTER	1
30	+	177226-11120	ROPE, STARTER	1
31	+	177227-42030	GUIDE, ROPE	1
32	+	177228-11120	GRIP, STARTER	1
33	+	177220-11120	REWIND SPRING	1
35		900292-04018	SCREW 4*18	4
36		890118-49330	LABEL, ECHO	1
41		145510-06210	GASKET, MUFFLER	1
41		145510-06211	GASKET, MUFFLER	1
42		145610-06610	MUFFLER	1
43		900162-06020	BOLT, H.S. 6*20	2
44		900242-05014	SCREW 5*14	1

DM-4100
Air Cleaner, Fuel Tank



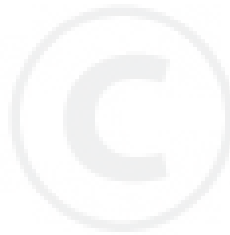
DM-4100
Air Cleaner, Fuel Tank

Key	Lv	Part no.	Part description	Quantity
4		131600-07130	CAP ASSY, FUEL TANK	1
4		131600-21060	CAP ASSY, FUEL TANK	1
5	+	131003-05330	CUP SET, VENT	1
6	+	131016-21230	GASKET, FUEL CAP	1
6	+	131016-21060	GASKET, FUEL CAP	1
8		131005-06610	TANK, FUEL	1
8		131005-06611	TANK, FUEL	1
8		131005-06612	TANK, FUEL	1
8		131005-06613	TANK, FUEL	1
9		900220-06014	SCREW +-SR 6*14	2
10		900605-00006	WASHER, SPRING 6	2
11		145642-00760	WASHER 6.5*18*1.6	2
13		900242-04012	SCREW 4*12	2
14		132001-05510	VALVE, CHECK	1
15		132013-05060	CLIP, PIPE	1
16		132010-06530	PIPE 3*6* 85	1
17		130016-06410	GASKET, INTAKE	1
18		130017-06410	INSULATOR	1
19		130016-06110	GASKET, INTAKE	1
21		890121-21430	LABEL, CHOKE	1
23		124200-06610	CARBURETOR ASSY	1
24		900242-05055	SCREW 5*55 (W/W.SW)	2
25		130320-05810	SEAL, CLEANER	1
26		357013-00210	CLIP 11	2
26		132013-14010	BAND	2
27		132012-06610	PIPE 7*11*75	1
27		132010-05910	PIPE	1
28		130307-04211	CASE, AIR CLEANER	1
29		129011-05110	PLATE	1
30		130319-03710	GRID, AIR CLEANER	1
31		130317-03710	FILTER, AIR	1
32		130310-02910	FILTER, AIR	1
33		130311-03710	GRID, AIR CLEANER	1
34		130313-03710	COVER, AIR CLEANER	1
35		890187-03710	LABEL, CLEANER	1
38		132007-14331	PIPE, FUEL W/GROMMET	1

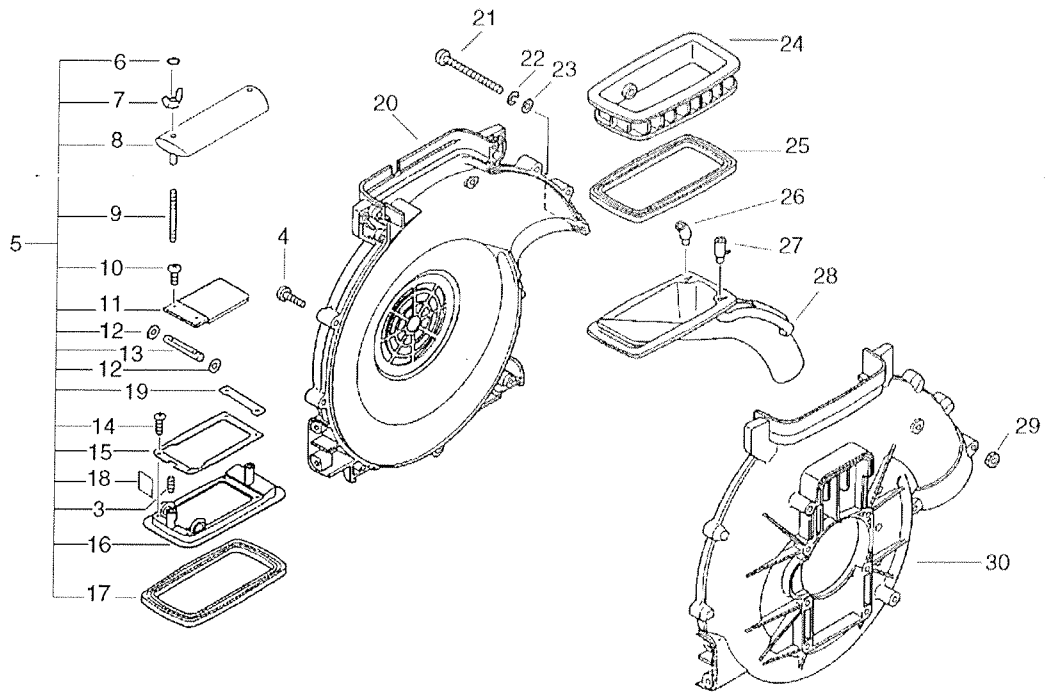
DM-4100

Air Cleaner, Fuel Tank

Key	Lv	Part no.	Part description	Quantity
37	+	132115-12330	GROMMET	1
37		132115-12330	GROMMET	1
38		132010-35430	PIPE 3*6*230	1
39		132013-26630	CLIP	1
40		131205-30830	STRAINER, FUEL	1
40		131205-19830	STRAINER, FUEL	1



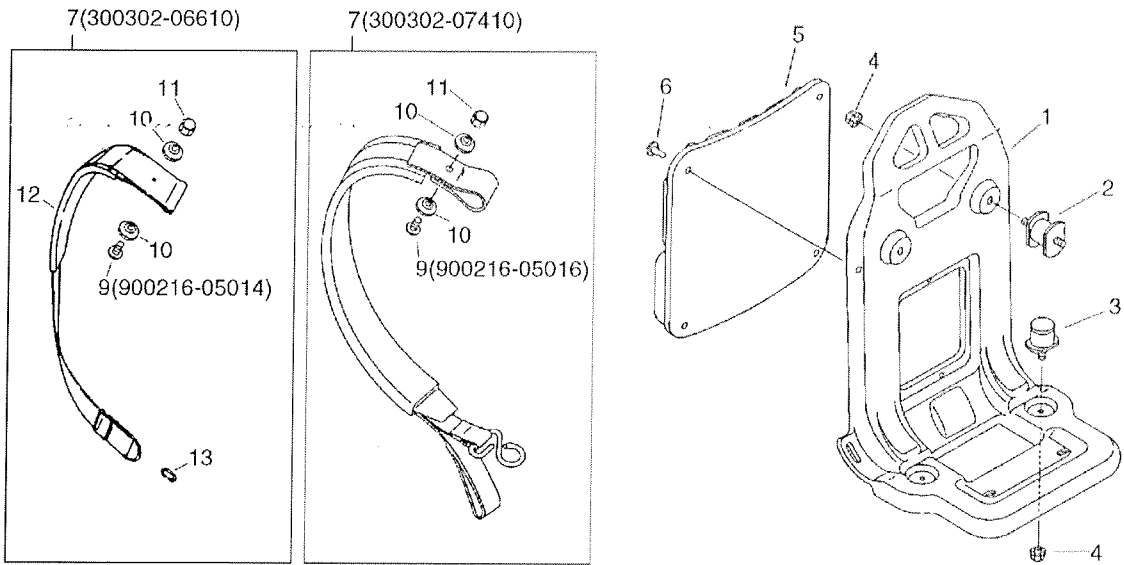
DM-4100
Fan Case, Lower Tank



DM-4100
Fan Case, Lower Tank

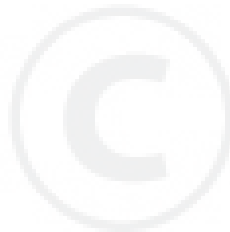
Key	Lv	Part no.	Part description	Quantity
4		900286-05025	SCREW 5*25 SUS	10
5		275100-06211	SHUTTER ASSY	1
5		275100-06212	SHUTTER ASSY	1
3	+	900174-05018	SCREW, SET 5*18	1
6	+	900720-00004	O-RING (P-4)	1
7	+	900539-00005	NUT, WING 5	1
8	+	250110-06211	PLATE,STABILIZER	1
8	+	250110-06212	STABILIZER	1
9	+	270015-06210	STUD	1
9	+	270015-06211	BOLT, STUD	1
10	+	900226-04010	SCREW, 4*10	2
11	+	270145-06210	SHUTTER	1
12	+	275123-05510	SPACER 10*19.5*0.3	2
13	+	270153-06210	SHAFT, SHUTTER	1
14	+	900295-04014	SCREW 4*14	4
15	+	270110-06210	SHUTTER	1
16	+	270112-06210	SHUTTER, METERING	1
16	+	270112-06211	SHUTTER, METERING	1
17	+	270119-06210	GASKET, SHUTTER	1
18	+	210035-06310	PACKING, DUST	1
19	+	270122-06211	PLATE, EYE	1
20		200105-06710	CASE, FAN	1
21		210425-04110	BOLT	2
22		900609-00005	WASHER, SPRING 5 SUS	2
23		900604-00005	WASHER 5 SUS	2
24		270010-06210	TANK, LOWER	1
24		270010-06211	TANK, LOWER	1
25		270018-06210	PACKING	1
26		370321-06210	PLATE	1
27		370316-06210	GUIDE, AIR	1
28		370301-06610	PIPE, DUST OUTLET	1
29		900504-00005	NUT 5B	2
30		200107-06710	CASE, FAN	1

DM-4100
Harness

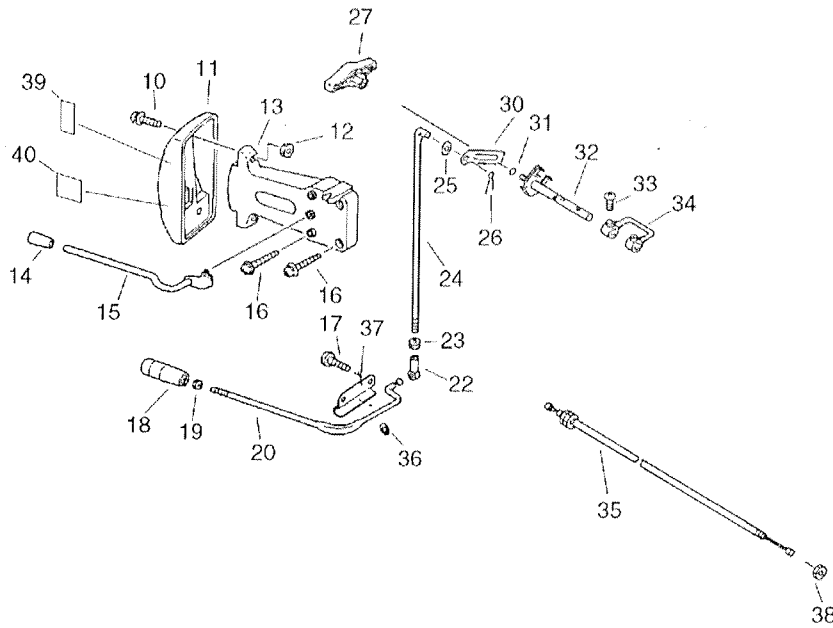


DM-4100
Harness

Key	Lv	Part no.	Part description	Quantity
1		300010-06610	FRAME, KNAPSACK	1
1		300010-07410	FRAME, BACKPACK	1
2		200910-06610	CUSHION	2
3		200916-06610	CUSHION	2
4		250916-06210	NUT	4
5		300111-06610	CUSHION, BACKPACK	1
5		300111-14010	CUSHION, KNAPSACK	1
6		300333-06410	CLIP	4
6		300333-06160	CLIP	4
7		300302-06610	HARNESS W/PAD	2
7		300302-07410	HARNESS, W/PAD	2
9	+	900216-05014	SCREW 5*14	2
9	+	900216-05016	SCREW, 5*16	2
10	+	300328-03210	WASHER, HARNESS	4
11	+	900560-00005	NUT, LOCK 5	2
12	+	300322-06610	PAD, HARNESS	2
13		300318-06210	HOOK	2



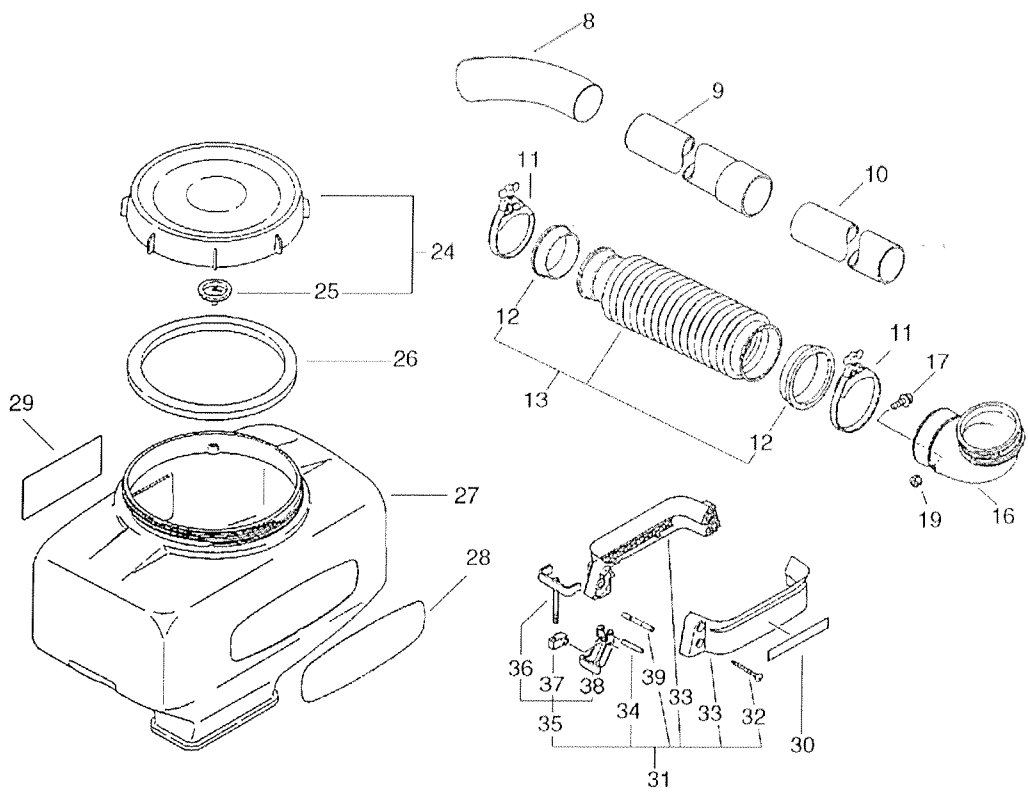
DM-4100
Control Lever



DM-4100
Control Lever

Key	Lv	Part no.	Part description	Quantity
10		900292-05025	SCREW 5*25	2
11		701111-06210	DIAL	1
11		701111-06211	DIAL	1
11		701111-06212	DIAL	1
12		900504-00005	NUT 5B	2
13		701112-06410	BRACKET, DIAL	1
14		701021-02910	KNOB, LEVER	1
15		178005-06410	LEVER, THROTTLE	1
15		178005-06411	LEVER, THROTTLE	1
16		900286-05025	SCREW 5*25 SUS	4
17		900292-05014	SCREW 5*14	2
18		701007-06610	KNOB, LEVER	1
19		900502-00006	NUT 6 (3N)	1
20		701010-06610	LEVER, CONTROL	1
22		701020-05510	CONNECTOR	1
23		900500-00005	NUT 5	1
24		701014-06610	ROD, CONTROL LEVER	1
24		701014-06710	ROD, CONTROL LEVER	1
25		900604-00006	WASHER 6(SUS)	2
26		900304-14010	SPLIT PIN 1.4*10	1
26		605612-06510	PIN, SNAP	1
27		270207-04310	NUT (BS)	1
30		270212-06410	ARM, SHUTTER	1
31		900720-00007	O-RING 7	1
32		270205-06410	SHAFT, SHUTTER	1
32		270205-06411	SHAFT, SHUTTER	1
33		900292-04014	SCREW 4*14	2
34		270216-06210	ARM	1
35		178001-05810	WIRE, THROTTLE	1
36		900600-00008	WASHER 8	1
37		701028-06210	HOLDER, STOPPER	1
38		900503-00006	NUT (3N 6*0.75)	1
39		890348-05060	LABEL, SPEED	1
40		890157-39130	LABEL, SWITCH	1

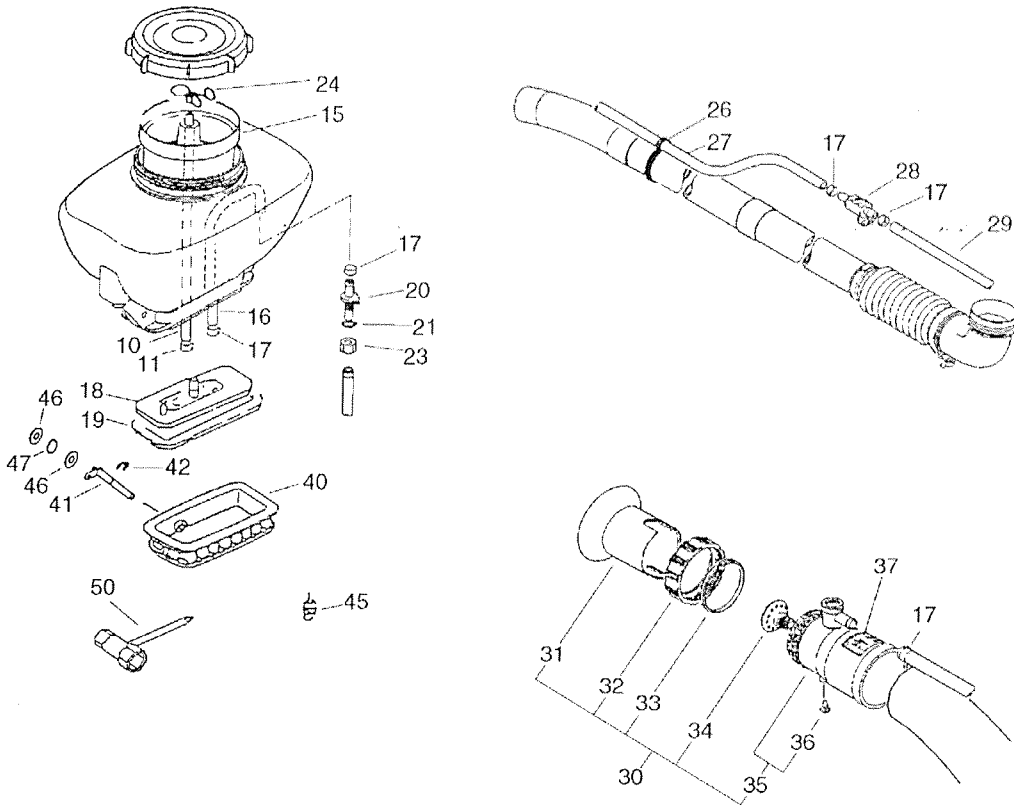
DM-4100
Chemical Tank



DM-4100
Chemical Tank

Key	Lv	Part no.	Part description	Quantity
8		210023-00210	PIPE, CURVED (GY)	1
9		210015-01110	PIPE, STRAIGHT (GY)	1
10		210014-01610	PIPE, STRAIGHT	1
11		210407-01110	CLAMP, FLEXIBLE PIPE	2
13		210013-01611	PIPE, FLEXIBLE	1
13		210012-01710	PIPE, FLX. W/GASKET	1
12	+	210032-04110	PACKING, FLX. PIPE	2
16		210000-03810	ELBOW,BLOWING KIT(BS	1
17		900242-05014	SCREW 5*14	1
19		900500-00005	NUT 5	1
24		250001-05610	CAP, CHEMICAL TANK	1
25	+	250013-00310	CAP, INSIDE	1
26		250011-02011	PACKING	1
27		250010-06310	TANK, CHEMICAL (13L)	1
27		250010-06311	TANK, CHEMICAL	1
27		250010-06312	TANK, CHEMICAL	1
28		890138-01110	LABEL, ECHO	1
29		890160-09460	LABEL, CAUTION	1
29		890160-09461	LABEL, CAUTION	1
30		890112-06610	LABEL, MODEL	1
31		270000-06310	HOLDER ASSY, C.TANK	1
31		270000-06311	HOLDER ASSY, C.TANK	1
32	+	900286-05035	SCREW 5*35	4
32	+	91148-05035	BOLT HS FL TAPP	4
33	+	250910-06310	HOLDER, C. TANK	2
35	+	250902-06310	BRACKET ASSY, C.TANK	2
34	++	900333-70380	PIN, STRAIGHT	2
36	++	250915-06310	BOLT, TANK HOLDER	2
37	++	250930-06210	CONNECTOR, BRACKET	2
38	++	250932-06210	BRACKET, TANK	2
39	+	250914-06210	PIN, TANK HOLDER	2

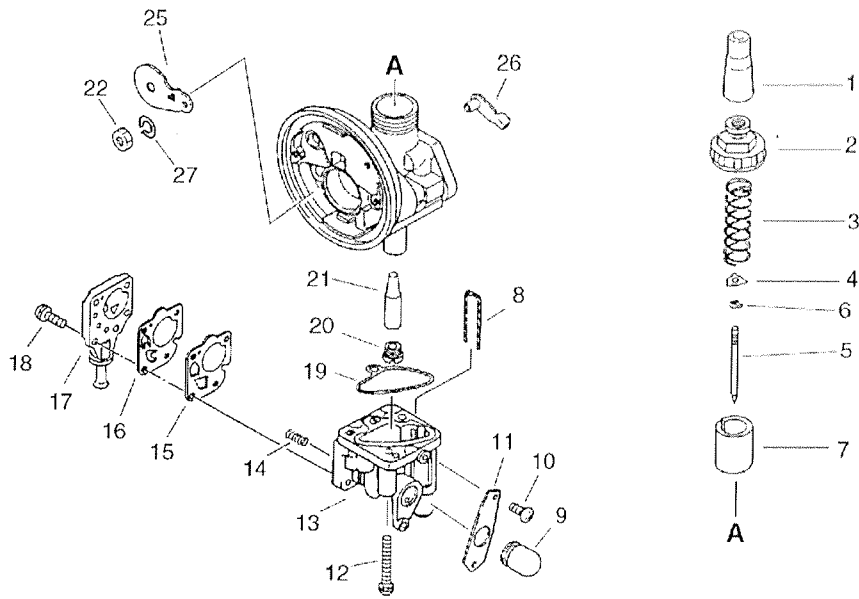
DM-4100
Mist Blower, Tool



DM-4100
Mist Blower, Tool

Key	Lv	Part no.	Part description	Quantity
11		357013-00210	CLIP 11	1
11		132013-14010	BAND	1
15		254210-03210	FILTER	1
16		363014-03210	PIPE (INNER)	1
17		357023-01110	CLIP 13	5
17		V495-000310	BAND	5
18		253010-06210	PLATE, BASE	1
19		270119-06210	GASKET, SHUTTER	1
20		357010-01110	NIPPLE, OUTLET	1
21		357014-01110	O-RING	1
23		357015-01110	NUT, HOLLOW	1
24		363023-01110	CLIP	1
26		357911-00110	CLIP, PIPE	1
27		357012-01110	PIPE (L-1050)	1
28		358100-01110	VALVE ASS'Y, PIPE	1
29		357032-01110	PIPE (L-720)	1
30		212500-01111	NOZZLE ASS'Y, MISTBL	1
31	+	212515-01110	COLLAR, NOZZLE	1
32	+	212514-01110	NUT, MISTING NOZZLE	1
33	+	212513-01110	RING, MISTING NOZZLE	1
34	+	222000-01110	NOZZLE	1
35	+	212501-01111	HEAD, NOZZLE BL	1
36	++	900246-05012	SCREW 5*12	1
37	+	890031-01110	LABEL, MIST	1
40		270010-06210	TANK, LOWER	1
40		270010-06211	TANK, LOWER	1
41		701033-06210	PIN, STRAIGHT 10	1
41		701033-06211	PIN, STRAIGHT 10	1
42	+	900703-00008	E-RING 8 SUS	1
45		250016-01110	PLUG	1
46		900600-00006	WASHER 6	2
47		900720-00005	O-RING 5	1
50		895410-03930	WRENCH, W/S. DRIVER	1

DM-4100
Carburetor



DM-4100
Carburetor

Key	Lv	Part no.	Part description	Quantity
		124200-06610	CARBURETOR ASSY	1
1	+	124174-11120	CAP	1
2	+	124113-05910	COVER, TOP	1
3	+	124114-11120	SPRING, THROTTLE	1
4	+	124115-11120	SEAT, SPRING	1
5	+	124162-05510	JET, NEEDLE	1
6	+	124116-05530	E-RING	1
7	+	124118-05910	VALVE, THROTTLE	1
8	+	124182-05510	WIRE, DRAIN	1
9	+	124381-05511	CAP	1
10	+	900241-04008	SCREW 4*8	2
11	+	124163-05510	PLATE	1
12	+	900241-04030	SCREW 4*30 (W/SW)	2
13	+	124124-05910	CHAMBER	1
14	+	124367-21330	SPRING, COIL	2
15	+	124363-21330	GASKET, PUMP DIAPH.	1
16	+	124364-05510	DIAPHRAGM, FUEL PUMP	1
17	+	124365-05510	COVER, PUMP	1
18	+	900241-03010	SCREW 3*10 (W/SW)	4
19	+	124123-05510	GASKET, CHAMBER	1
20	+	124122-46630	JET, MAIN	1
21	+	124162-05510	JET, NEEDLE	1
22	+	124111-05810	NUT	1
25	+	124143-06610	PLATE, CHOKE	1
26	+	124142-05810	LEVER, CHOKE	1
27	+	900605-00006	WASHER, SPRING 6	1