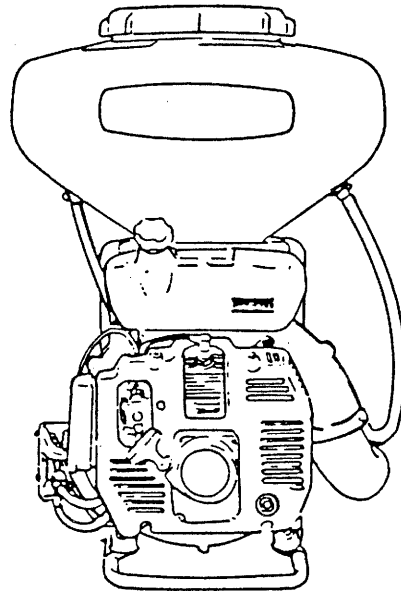


ECHO®



OPERATOR'S MANUAL

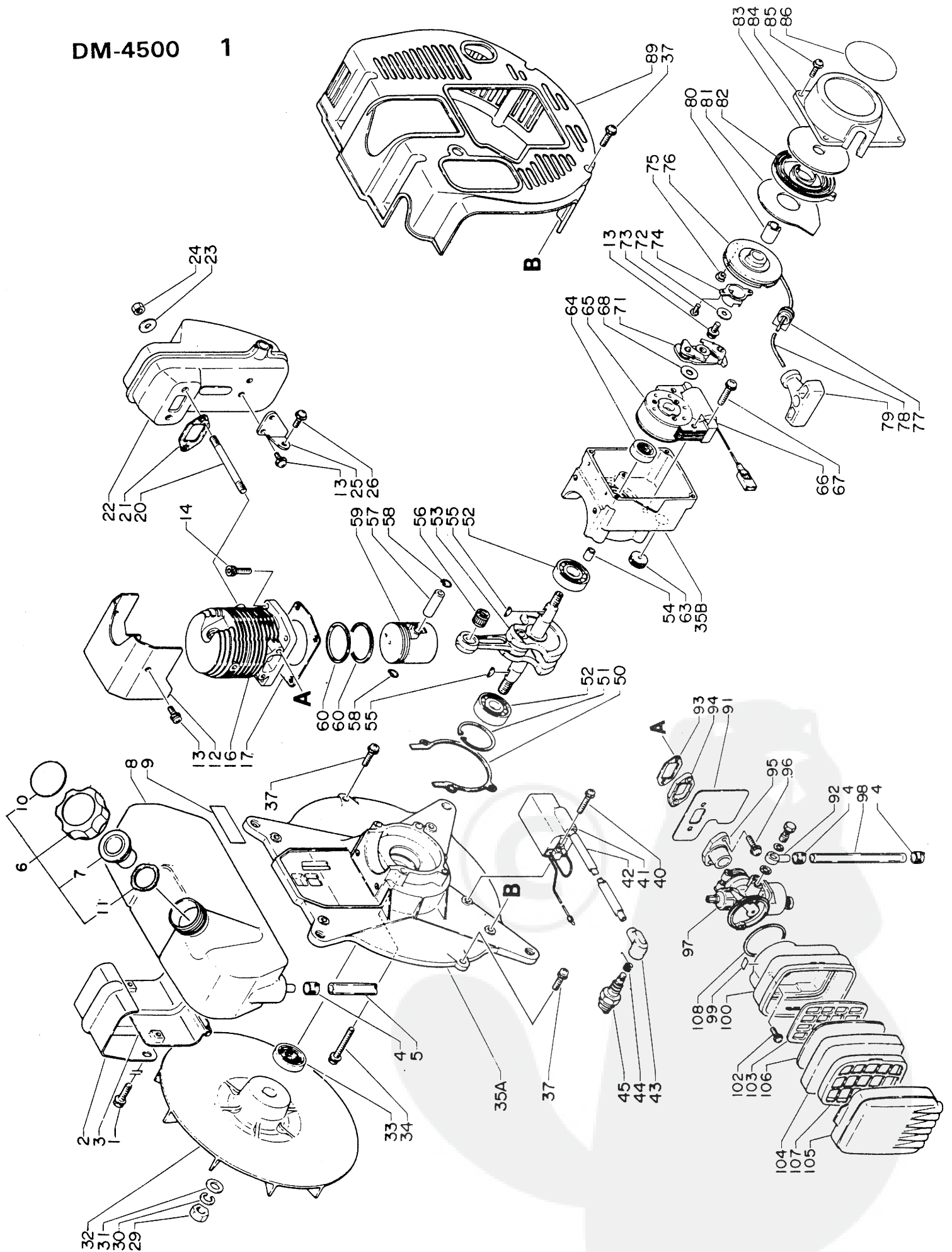
ECHO
KNAPSACK TYPE
DUSTER/MIST BLOWER
DM-4500



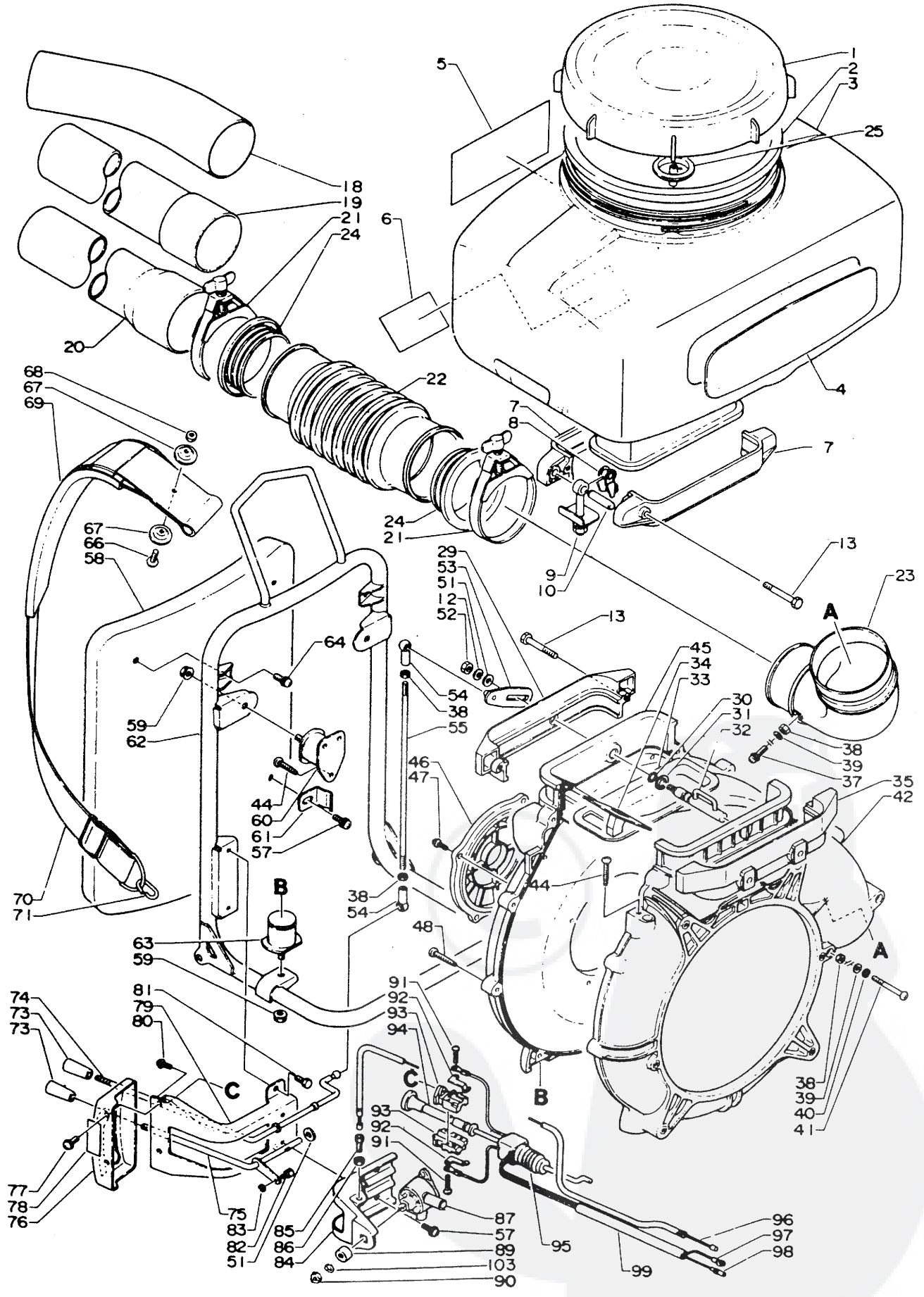
898 571-0401 1

PARTS CATALOGUE

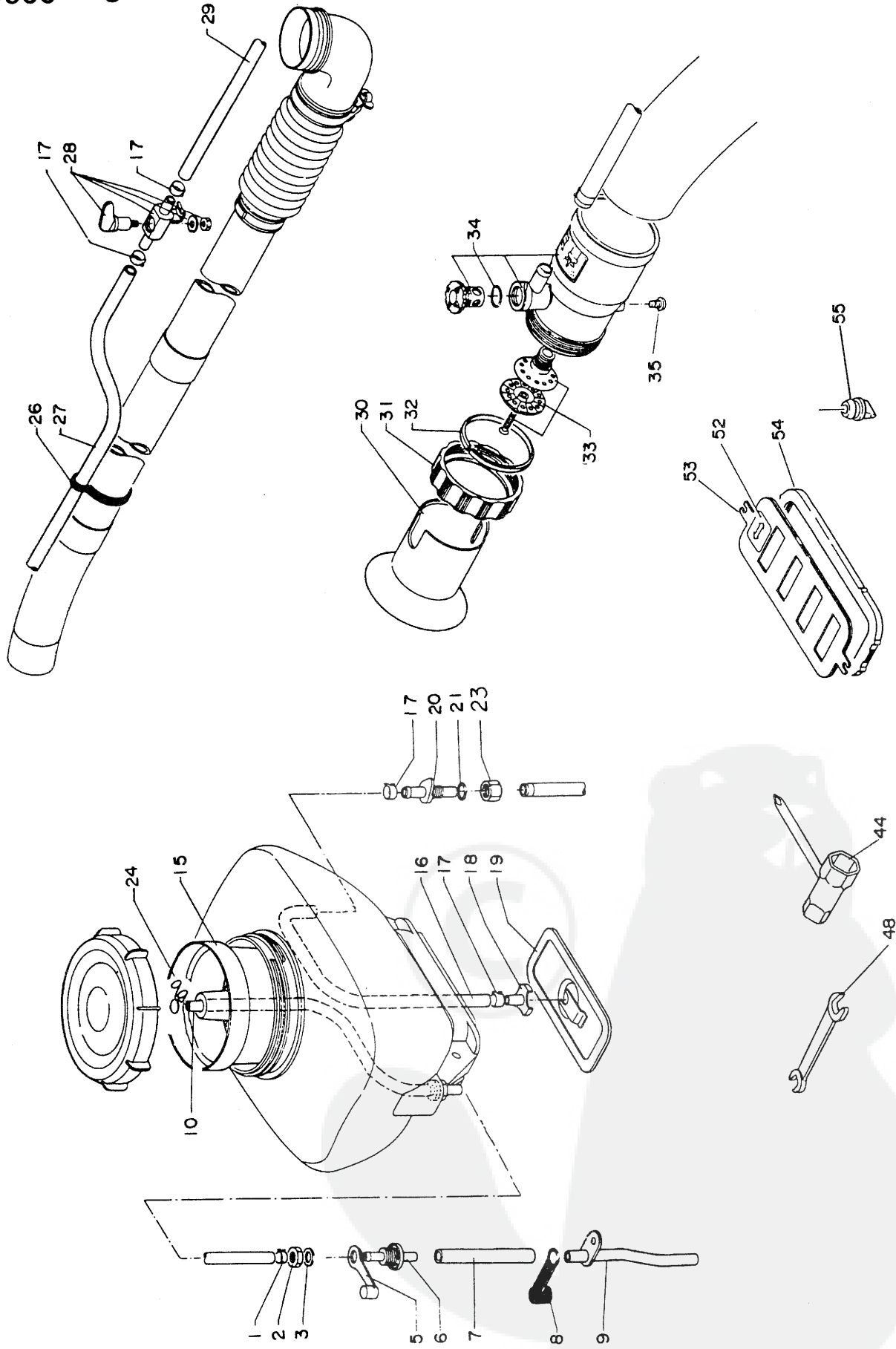




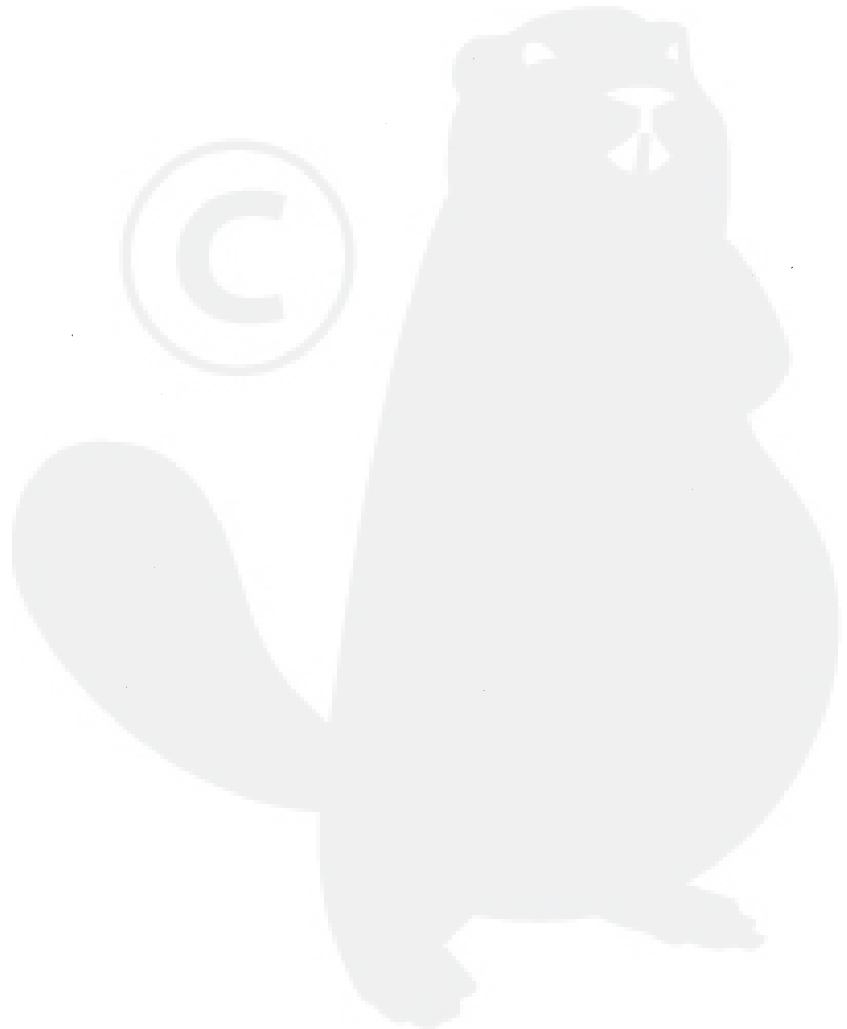
Key No.	Part Number	Q'ty	Description	Key No.	Part Number	Q'ty	Description
1- 1	900 142-0602 0	2	Bolt 6x20	1- 58	100 015-0012 0	2	Circlip, piston pin
2	131 910-0321 0	1	Bracket, fuel tank	59	100 010-0321 0	1	Piston
3	131 918-0291 0	1	Bracket, fuel tank	60	100 011-1053 0	2	Ring, piston
4	357 013-0021 0	4	Clamp	63	156 114-0321 0	1	Grommet
5	132 010-0321 0	1	Pipe 7x11x360	64	100 213-0031 0	1	Oilseal
6	131 604-0713 2	1	Cap ass'y, fuel	65	156 800-0321 0	1	Rotor
7	-131 003-0533 0	1	Breather cup	66	156 627-0321 0	1	Coil, exciter
10	-890 154-1273 0	1	Label	67	900 242-0502 5	2	Screw 5x25
11	-131 016-2123 0	1	Gasket	68	900 602-0000 8	1	Washer 8
8	131 010-0321 0	1	Tank, fuel	71	177 305-0672 0	1	Ratchet, ass'y, starter
9	890 112-0401 0	1	Label		177 200-0321 1	1	Starter ass'y
12	101 514-0321 1	1	Cover, cylinder	13	-900 242-0501 0	1	Screw 5x10
13	900 242-0501 0	4	Screw 5x10	72	-177 214-0283 0	1	Washer
14	900 162-0602 0	4	Bolt, h.s.h. 6x20	73	-900 241-0400 8	2	Screw 4x8
16	101 011-0231 1	1	Cylinder	74	-177 243-0413 0	1	Catcher, pawl
17	101 010-0231 2	1	Gasket, cylinder	75	-177 246-0393 0	1	Clip
20	101 014-0231 0	2	Stud	76	-177 215-0413 0	1	Reel, starter
21	145 510-0231 1	1	Gasket	77	-177 227-0291 0	1	Guide, rope
22	145 610-0321 0	1	Muffler	78	-177 226-0393 0	1	Rope, starter
23	145 642-0076 0	2	Washer 6	79	-177 228-1113 0	1	Grip, starter
24	145 710-0023 0	2	Lock nut	80	-177 216-1233 0	1	Bushing
25	145 711-0231 0	1	Bracket	81	-177 242-0291 0	1	Plate
26	900 242-0501 4	1	Screw 5x14	82	-177 220-0393 0	1	Spring, rewind
29	900 501-0001 0	1	Nut 10	83	-177 221-0672 0	1	Plate
30	900 605-0001 0	1	Washer, spring 10	84	-177 209-0321 1	1	Case, starter
31	900 600-0001 0	1	Washer 10	85	900 242-0401 6	4	Screw 4x16
32	200 005-0321 0	1	Fan	86	890 112-1783 0	1	Label
33	100 213-0283 0	1	Oilseal	89	104 016-0321 0	1	Cover, engine
34	900 162-0504 0	4	Bolt, h.s.h.	91	130 010-0331 1	1	Gasket, wind proof
35	100 200-0321 3	1	Crank case set	92	132 024-0066 0	1	Connector, pipe
54	-100 215-0573 0	2	Pin, dowel	93	130 016-0111 0	1	Gasket
37	900 242-0502 0	11	Screw 5x20	94	130 017-0111 0	1	Insulator
40	900 242-0402 0	2	Screw 4x20	95	130 510-0231 0	1	Adaptor, intake
41	156 601-0321 0	1	Module, C.D.I.	96	900 142-0602 5	2	Bolt 6x25
42	156 111-0321 0	1	Tube	97	120 000-0321 3	1	Carburetor ass'y
43	159 012-0162 0	1	Cap, spark plug	98	132 010-0321 0	1	Pipe 7x11x230
44	159 011-0343 2	1	Coil, plug cap	99	890 121-0066 0	1	Label
45	159 010-0033 0	1	Plug, spark	100	130 307-0371 1	1	Case, air filter
50	100 242-0321 2	1	Gasket, crankcase	102	900 242-0401 4	2	Screw 4x14
51	900 702-0003 5	1	Circlip	103	130 319-0371 0	1	Grid
52	900 810-3620 2	2	Bearing, ball	104	130 310-0291 0	1	Filter, air
53	100 100-0321 0	1	Crankshaft ass'y	105	130 313-0371 0	1	Cover, air filter
55	100 142-0031 0	2	Key, Woodruff 3	106	130 317-0371 0	1	Filter, air
56	100 012-1233 0	1	Bearing, needle	107	130 311-0371 0	1	Grid, air filter
57	100 013-0041 0	1	Pin, piston	108	130 320-0371 0	1	Gasket

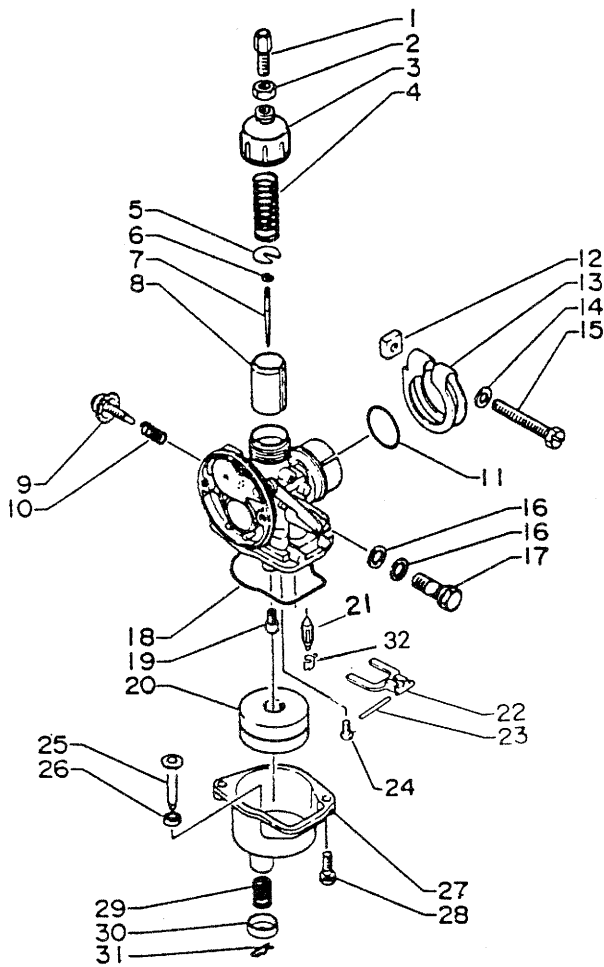


Key No.	Part Number	Q'ty	Description	Key No.	Part Number	Q'ty	Description
2- 1	250 001-0561 0	1	Cap, tank	2- 60	200 910-0321 0	2	Cushion
25	-250 013-0031 0	1	Cap, inner	61	300 220-0111 0	2	Bracket
2	250 011-0201 0	1	Gasket, tank	62	300 010-0321 0	1	Frame, knapsack
3	250 010-0391 0	1	Tank, chemical 16ℓ	63	200 916-0321 0	2	Cushion
4	890 118-0111 0	1	Label	64	900 242-0501 2	2	Screw 5x12
5	890 178-0371 0	1	Label	66	900 216-0501 4	2	Screw 5x14
6	890 120-0371 0	1	Label	67	300 328-0321 0	4	Washer
7	250 900-0361 0	1	Holder	68	433 020-0083 0	2	Lock nut
8	250 925-0291 0	2	Holder	69	300 322-0321 0	1	Pad, shoulder
9	250 907-0321 1	2	Bolt	70	300 300-0321 0	2	Harness, knapsack
10	250 914-0321 0	2	Pin	71	300 319-0161 1	2	Ring
13	900 249-0505 0	8	Screw	73	701 021-0291 0	2	Knob
18	210 023-0021 0	1	Pipe, curved	74	701 005-0291 1	1	Lever
19	210 015-0111 0	1	Pipe, straight	75	178 010-0291 0	1	Control, throttle
20	210 014-0161 0	1	Pipe, straight	76	701 111-0321 0	1	Dial
21	210 407-0111 0	2	Clamp	77	900 242-0501 4	2	Screw 5x14
22	210 012-0171 0	1	Pipe, flexible	78	890 157-0371 0	1	Label
24	-210 032-0161 0	2	Packing, flx. pipe	79	701 105-0321 0	1	Bracket, dial
23	210 011-0301 0	1	Elbow, blowing	80	900 242-0401 0	2	Screw 4x10
29	270 025-0381 0	1	Holder	81	900 142-0501 0	2	Bolt 5x10
30	270 217-0111 0	1	O-ring	82	178 018-0291 0	1	Swivel
31	900 703-0000 8	1	E-ring	83	900 700-0000 3	1	E-ring 3
32	270 205-0291 1	1	Shaft, shutter	84	701 110-0321 0	1	Holder, lever
33	370 613-0321 0	1	Pipe	85	178 021-0291 0	1	Adjuster
34	370 315-0291 0	1	Guide	86	900 502-0000 5	1	Nut
35	270 010-0381 0	1	Holder	87	132 200-0321 0	1	Valve ass'y, fuel
37	900 242-0501 4	1	Screw 5x14	89	132 511-0066 0	1	Spacer
38	900 500-0000 5	3	Nut 5	90	900 500-0000 4	1	Nut
39	900 600-0000 5	3	Washer 5	91	900 246-0301 6	2	Screw 3x16
40	900 605-0000 5	2	Washer, spring 5	92	163 412-0066 0	2	Spring
41	210 425-0231 0	2	Screw	93	163 410-0066 1	2	Knob, switch
42	200 107-0381 0	1	Case, fan	94	163 414-0291 0	1	Rod, Stop switch
44	900 249-0501 6	7	Screw 5x16	95	163 910-0066 0	1	Cover, Stop switch
45	200 105-0381 0	1	Case, fan	96	178 001-0331 0	1	Wire, throttle
46	200 124-0111 1	1	Grid, fan case	97	162 010-0291 0	1	Lead, ground
47	900 242-0501 6	4	Screw 5x16	98	162 021-0291 0	1	Lead
48	900 249-0502 5	8	Screw	99	178 016-0291 0	1	Tube
51	900 602-0000 6	2	Washer 6	103	900 605-0000 4	1	Washer, spring
52	900 500-0000 6	1	Nut 6				
53	270 206-0291 1	1	Arm, shutter				
54	701 020-0111 0	2	Connector				
55	701 026-0321 0	1	Rod, dust control				
57	900 242-0501 0	4	Screw 5x10				
58	300 105-0321 0	1	Plate, back cushion				
59	900 515-0000 6	4	Nut, flange				



Key No.	Part Number	Q'ty	Description	Key No.	Part Number	Q'ty	Description
3- 1	357 013-0021 0	1	Clamp	3- 28	358 100-0111 1	1	Valve
2	363 019-0031 0	1	Nut	29	357 032-0111 0	1	Pipe
3	363 018-0031 0	1	Washer	*	212 500-0111 1	1	Nozzle ass'y
5	363 022-0051 0	1	Plug	30	-212 515-0111 0	1	Collar
6	363 017-0031 0	1	Connector	31	-212 514-0111 0	1	Nut
7	363 011-0021 0	1	Tube	32	-212 513-0111 0	1	Ring
8	363 021-0111 0	1	Plug	33	-222 000-0111 0	1	Nozzle
9	363 015-0321 0	1	Tube	34	-212 501-0111 1	1	Head, nozzle
10	382 011-0111 0	1	Tube	35	-900 246-0501 2	1	Screw, nozzle
15	254 210-0321 0	1	Filter, tank	44	895 410-0043 0	1	Wrench 13x19
16	355 011-0111 0	1	Tube	48	895 123-0383 0	1	Spanner
17	357 023-0111 0	5	Clamp	52	890 132-0111 0	1	Label
18	355 012-0091 0	1	Mouth, suction	53	270 100-0291 1	1	Shutter ass'y
19	253 010-0111 0	1	Plate	54	-270 119-0291 1	1	Gasket
20	357 010-0111 0	1	Connector	55	250 016-0111 0	1	Plug
21	357 014-0111 0	1	O-ring				
23	357 015-0111 0	1	Nut				
24	363 023-0111 0	1	Clip				
26	357 911-0011 0	1	Clip				
27	357 012-0111 0	1	Pipe				





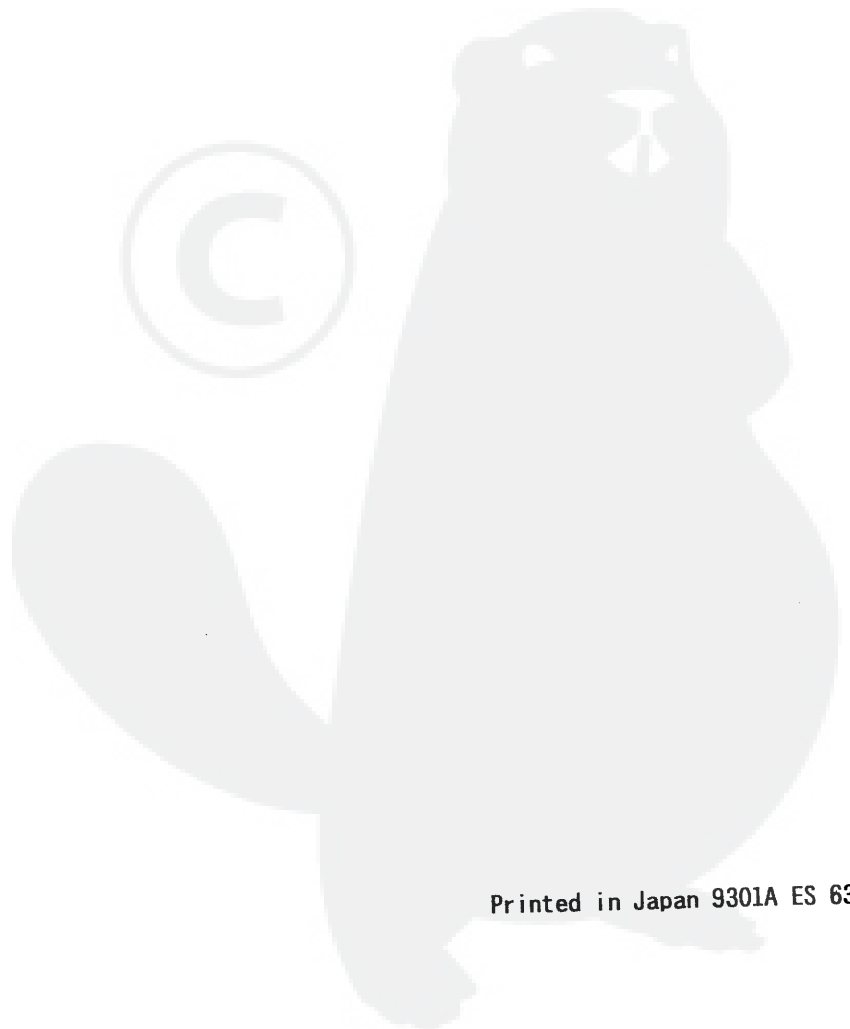
Key No.	Part Number	Q'ty	Description
4-	120 000-0321 3	1	Carburetor ass'y
1	-120 158-0362 0	1	Adjuster, cable
2	-120 111-0473 0	1	Nut
3	-120 113-0241 0	1	Cover, top
4	-120 114-0331 0	1	Spring, throttle
5	-120 115-0802 0	1	Seat, spring
6	-120 116-1021 1	1	E-ring
7	-120 103-0291 0	1	Needle, jet
8	-120 118-0331 0	1	Valve, throttle
9	-120 159-2793 0	1	Screw, idle speed
10	-120 160-0132 1	1	Spring
11	-120 125-0231 0	1	O-ring
12	-120 151-1021 0	1	Nut
13	-120 146-0022 0	1	Clip
14	-900 600-0000 5	1	Washer
15	-120 147-0291 0	1	Fastener
16	-120 130-1021 0	2	Gasket
17	-120 131-0012 0	1	Bolt, banjo
18	-120 123-1021 0	1	Gasket, chamber
19	-120 122-0321 0	1	Jet, main
20	-120 133-0573 0	1	Float
21	-120 120-0573 1	1	Valve, float
22	-120 121-2743 0	1	Arm, float
23	-120 132-1021 1	1	Pin, float
24	-900 220-0400 6	1	Screw
25	-120 177-0331 0	1	Shaft, link
26	-120 178-0331 1	1	O-ring
27	-120 124-0331 1	1	Chamber, float
28	-900 241-0401 2	2	Screw w/SW
29	-120 179-2893 0	1	Spring
30	-120 180-0331 1	1	Collar
31	-120 181-0331 2	1	E-clip
32	-120 182-2743 0	1	Clip



KIORITZ CORPORATION

7-2, SUEHIROCHO 1-CHOME, OHME, TOKYO 198, JAPAN
PHONE: 0428-32-6118, FAX: 0428-32-6145, TELEX: 2852070 KIORIT J

ECHO®



Printed in Japan 9301A ES 639

www.kioritz.com