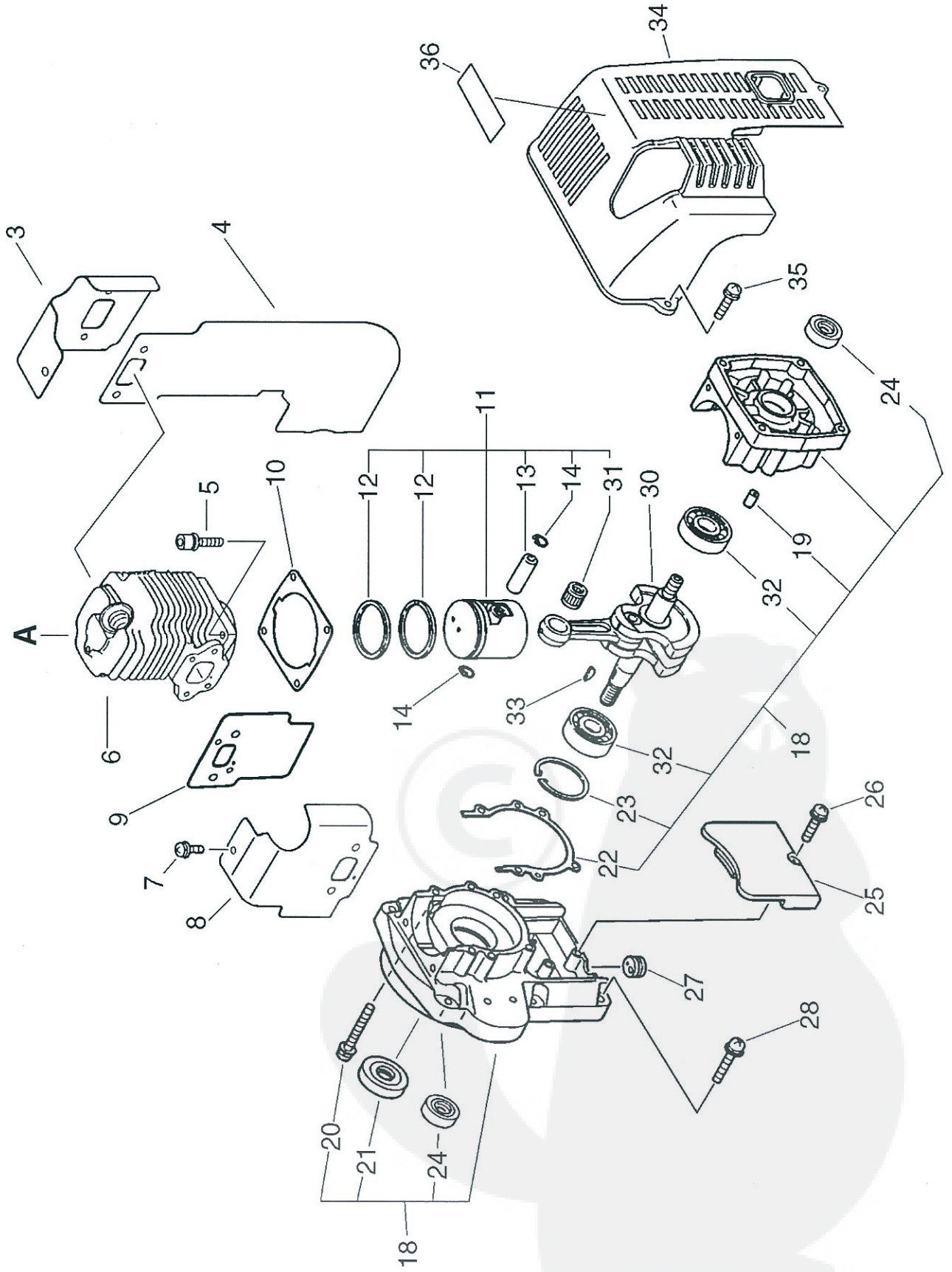


No.1



P a r t s L i s t

Group: Duster/Mist Blowers Model: DM-4600 Section: Cylinder, Crankcase, Piston(1)

Key	Lv Part Number	Q'ty	Description	Remarks	Note
3	101514-06210	1	COVER, CYLINDER		
4	145512-06210	1	GASKET, MUFFLER	Sus. by 145512-06211	
4	145512-06211	1	GASKET, MUFFLER		
5	900162-05020	4	BOLT, H.S. 5*20		
6	101011-08260	1	CYLINDER	Sus. by 101011-08261	
6	101011-08261	1	CYLINDER		
7	900242-05010	1	SCREW 5*10		
8	101514-06410	1	COVER, CYLINDER		
9	130010-06410	1	GASKET, INTAKE		
10	101010-10721	1	GASKET, CYL. BASE	Sus. by 101010-10722	
10	101010-10722	1	GASKET, CYL. BASE		
11	100000-03210	1	PISTON KIT		
12 +	100011-10530	2	RING, PISTON		
13 +	100013-00410	1	PIN, PISTON		
14 +	100015-00120	2	CIRCLIP, PISTON PIN		
31 +	100012-12330	1	BEARING, NEEDLE	Sus. by 100012-12331	
31 +	100012-12331	1	BEARING, NEEDLE		
18	100204-08260	1	CRANKCASE KIT	Sus. by 100204-08261	
18	100204-08261	1	CRANKCASE KIT		
19 +	100215-03930	2	PIN, DOWEL		
20 +	900242-05040	4	SCREW 5*40		
21 +	100213-02830	1	OILSEAL	Sr/Nr 006732 and before	
22 +	100242-10720	1	GASKET, CRANKCASE	Sus. by 100242-10721	
22 +	100242-10721	1	GASKET, CRANKCASE		
23 +	900702-00035	1	CIRCLIP 35	Sr/Nr 006732 and before	
24 +	100213-00310	1	OILSEAL	Sr/Nr 006732 and before	
24 +	100213-00310	2	OILSEAL	Sr/Nr 006733 and after	
32 +	900810-36202	2	BEARING, BALL 6202		

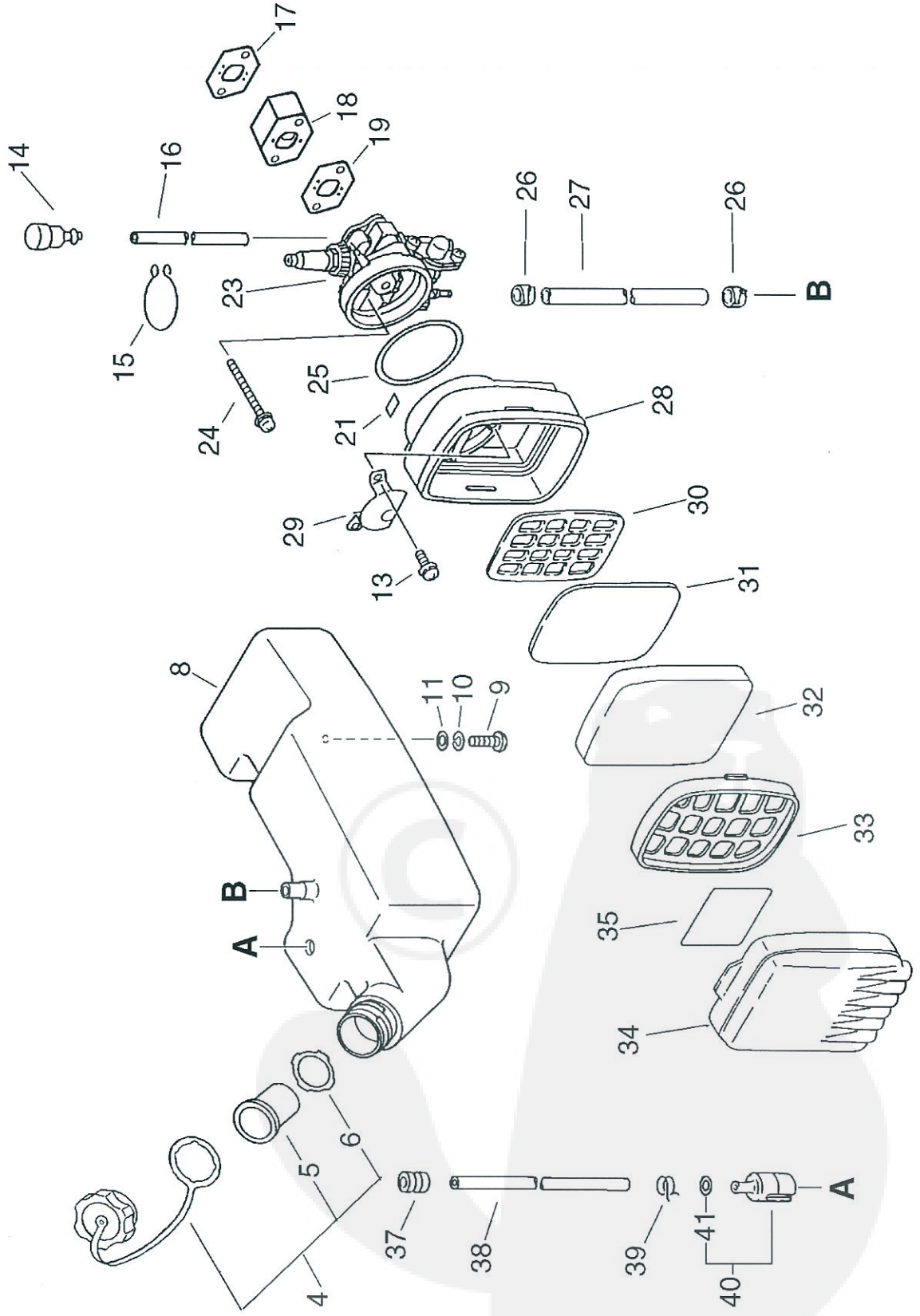
Parts List

Group: Duster/Mist Blowers Model: DM-4600 Section: Cylinder, Crankcase, Piston (1)

Key	Lv	Part Number	Q'ty	Description	Remarks	Note
25		159129-08260	1	COVER, DUST		
26		900242-05018	1	SCREW 5*18		
27		150112-00310	1	BUSHING		
28		900292-05025	6	SCREW 5*25		
30		100100-06210	1	CRANKSHAFT ASSY		
33		900323-03014	1	KEY WOODRUFF		
34		104016-06410	1	COVER, ENGINE		
35		900292-05020	3	SCREW 5*20		
36		890160-06360	1	LABEL, CAUTION		
36		890160-06361	1	LABEL, CAUTION	Sus. by 890160-06361	



No.2



P a r t s L i s t

Group:Duster/Mist Blowers Model:DM-4600 Section:Air Cleaner, Fuel Tank(2)

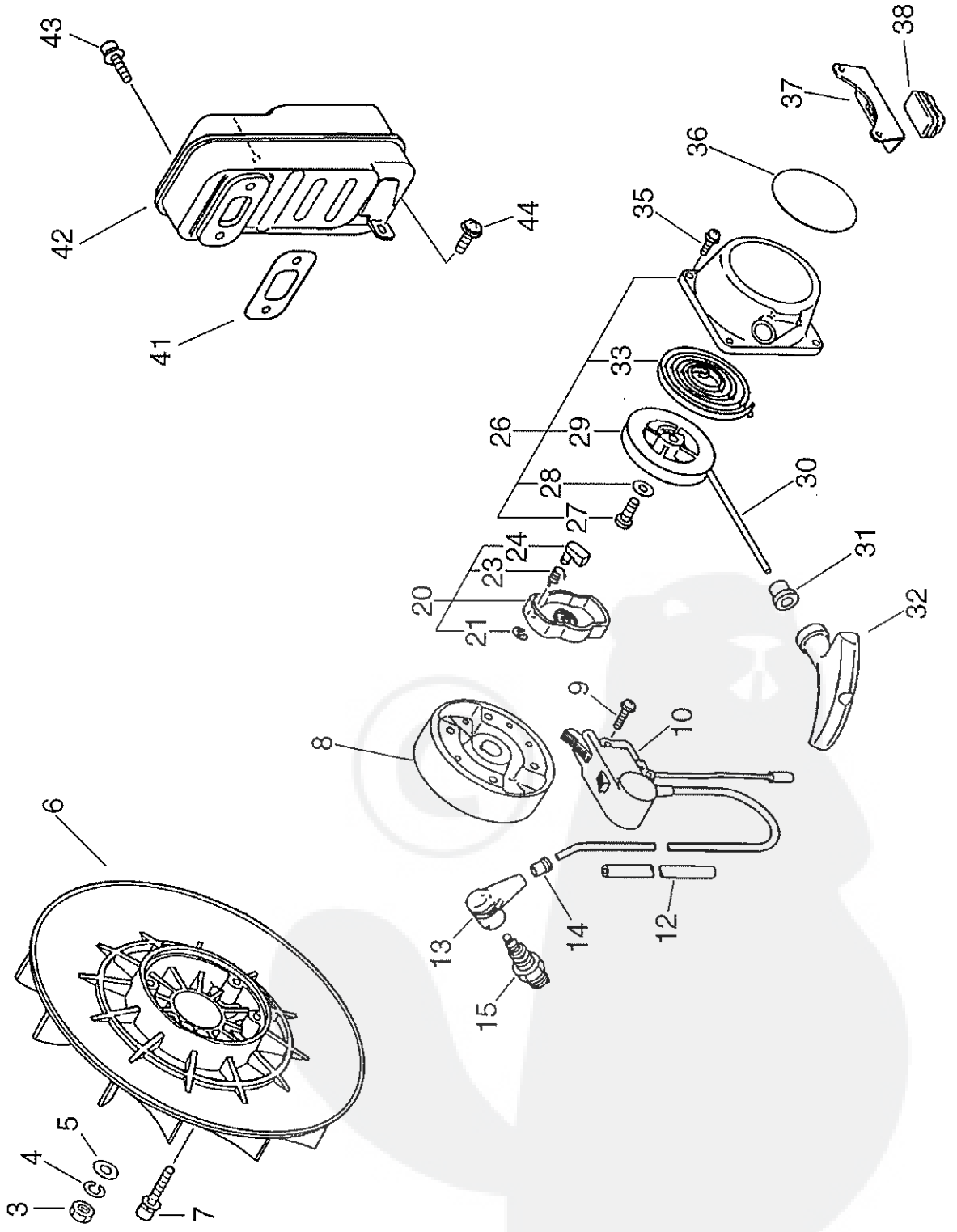
Key	Lv	Part Number	Q'ty	Description	Remarks	Note
4		131600-07130	1	CAP ASSY, FUEL TANK	Sus. by 131600-21060	
4		131600-21060	1	CAP ASSY, FUEL TANK		
5	+	131003-05330	1	CUP SET, VENT		
6	+	131016-21230	1	GASKET, FUEL CAP	Sr/Nr 007116 and before	
6	+	131016-21060	1	GASKET, FUEL CAP	Sr/Nr 007117 and after	
8		131005-06210	1	TANK, FUEL	Sus. by 131005-06213	
8		131005-06211	1	TANK, FUEL	Sus. by 131005-06213	
8		131005-06212	1	TANK, FUEL	Sus. by 131005-06213	
8		131005-06213	1	TANK, FUEL	Sus. by 131005-06213	
9		900220-06014	2	SCREW +-SR 6*14		
10		900605-00006	2	WASHER, SPRING 6		
11		145642-00760	2	WASHER 6.5*18*1.6		
13		900242-04014	2	SCREW 4*14		
14		132001-05510	1	VALVE, CHECK		
15		132013-05060	1	CLIP, PIPE		
16		132010-06530	1	PIPE 3*6* 85		
17		130016-06410	1	GASKET, INTAKE		
18		130017-06410	1	INSULATOR		
19		130016-06110	1	GASKET, INTAKE		
21		890121-21430	1	LABEL, CHOKE		
23		124200-06410	1	CARBURETOR ASSY		
24		900242-05055	2	SCREW 5*55 (W/W.SW)		
25		130320-05810	1	SEAL, CLEANER		
26		357013-00210	2	CLIP 11	Sus. by 132013-14010	
26		132013-14010	2	BAND		
27		132010-06210	1	PIPE 7*11* 70	Sus. by 132010-06410	
27		132010-06410	1	PIPE		
28		130307-03711	1	CASE, AIR CLEANER		

P a r t s L i s t

Group: Duster/Mist Blowers Model: DM-4600 Section: Air Cleaner, Fuel Tank (2)

Key	Lv	Part Number	Q'ty	Description	Remarks	Note
29		129011-05110	1	PLATE		
30		130319-03710	1	GRID, AIR CLEANER		
31		130317-03710	1	FILTER, AIR		
32		130310-02910	1	FILTER, AIR		
33		130311-03710	1	GRID, AIR CLEANER		
34		130313-03710	1	COVER, AIR CLEANER		
35		890187-03710	1	LABEL, CLEANER		
37		132115-12330	1	GROMMET		
38		132010-35430	1	PIPE 3*6* 230		
39		132013-26630	1	CLIP		
40		131205-30830	1	STRAINER, FUEL		Sus. by set of 131205-05630 and 900603-00005
40		131205-19830	1	STRAINER, FUEL		Sus. by set of 131205-05630 and 900603-00005
40		131205-05630	1	STRAINER, FUEL		
41 +		900603-00005	1	WASHER 5		

No.3



P a r t s L i s t

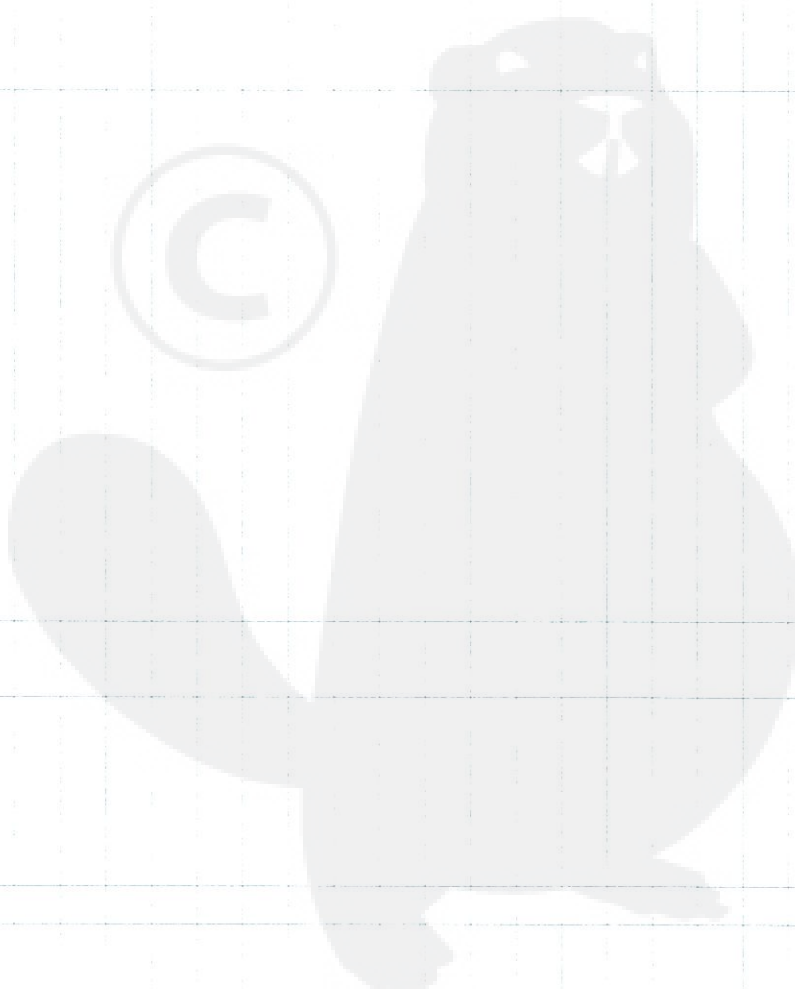
Group: Duster/Mist Blowers Model: DM-4600 Section: Starter, Magneto, Muffler (3)

Key	Lv	Part Number	Q'ty	Description	Remarks	Note
3		900501-00010	1	NUT 10*1.25		
4		900605-00010	1	WASHER, SPRING 10		
5		900602-00010	1	WASHER 10(10.5*21*2)		
6		200005-06210	1	FAN		
7		900148-05035	4	BOLT 5*35		
8		156800-06161	1	ROTOR, MAGNETO		
9		900242-05018	2	SCREW 5*18		
10		156601-06211	1	C.D. IGNITION MODULE		
12		156611-04260	1	TUBE		
13		159012-10230	1	CAP, SPARK PLUG		
14		159016-05330	1	ADAPTER, PLUG CAP		
15		159010-10230	1	PLUG, SPARK (BPMR-7A		
20		177202-06210	1	PAWL ASSY, STARTER		
21 +		900700-00004	1	E-RING 4		
23 +		177234-40630	1	SPRING, RETURN		
24 +		177218-40630	1	PAWL, STARTER		
26		177200-06210	1	STARTER ASSY		
27 +		177236-40630	1	SCREW		
28 +		177214-40630	1	WASHER		
29 +		177215-11120	1	DRUM, STARTER		
30 +		177226-11120	1	ROPE, STARTER		
31 +		177227-42030	1	GUIDE, ROPE		
32 +		177228-11120	1	GRIP, STARTER		
33 +		177220-11120	1	REWIND SPRING		
35		900292-04018	4	SCREW 4*18		
36		890118-49330	1	LABEL, ECHO		
37		300029-06210	1	PLATE, ANGLE		
38		305117-03360	1	CUSHION		

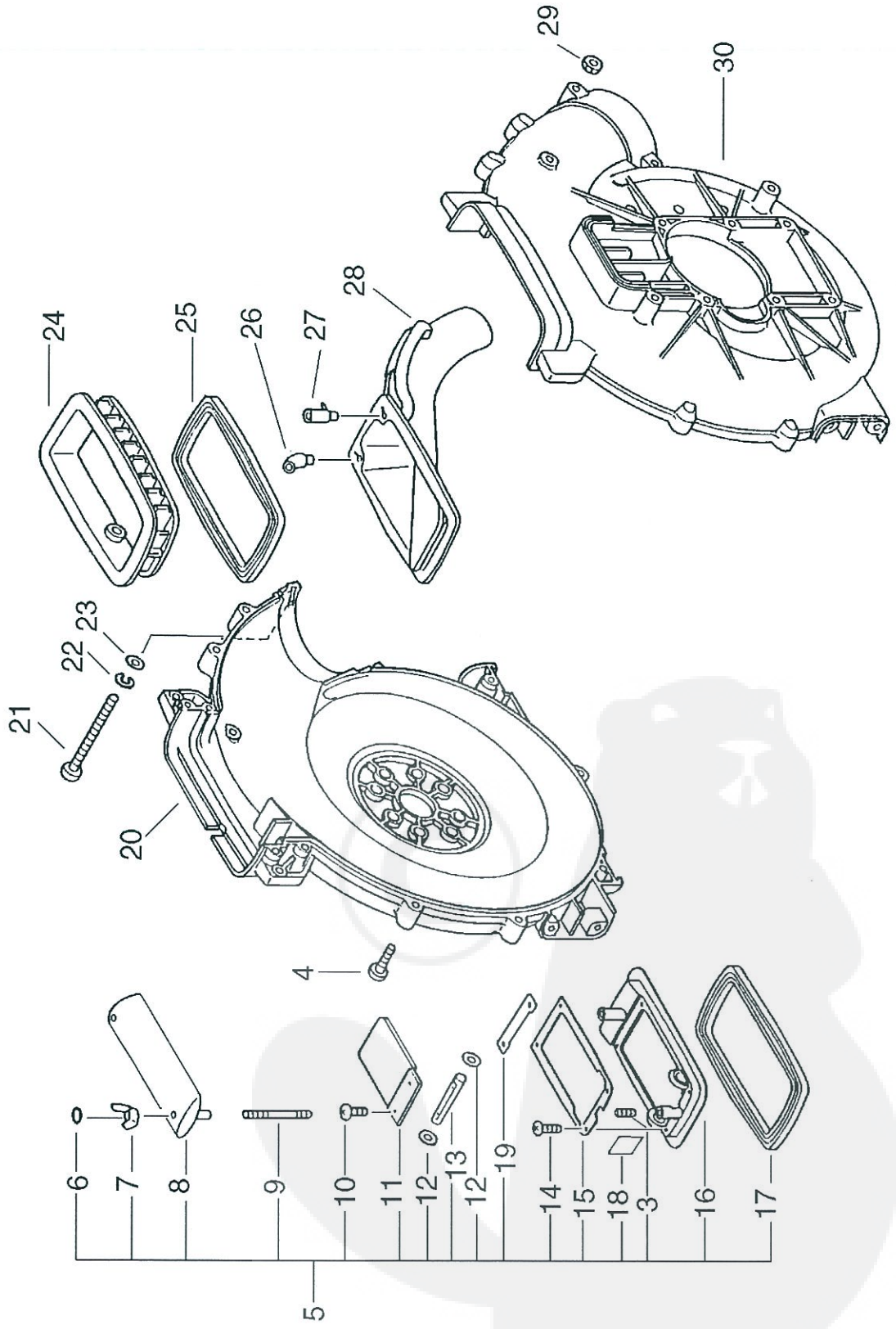
P a r t s L i s t

Group: Duster/Mist Blowers Model: DM-4600 Section: Starter, Magneto, Muffler (3)

Key	Lv	Part Number	Q'ty	Description	Remarks	Note
41		145510-06210	1	GASKET, MUFFLER	Sus. by 145510-06211	
41		145510-06211	1	GASKET, MUFFLER		
42		145610-06210	1	MUFFLER	Sus. by 145610-06212	
42		145610-06211	1	MUFFLER	Sus. by 145610-06212	
42		145610-06212	1	MUFFLER		
43		900105-06020	2	BOLT, H.S. 6*20		
44		900242-05014	1	SCREW 5*14		



No.4



P a r t s L i s t

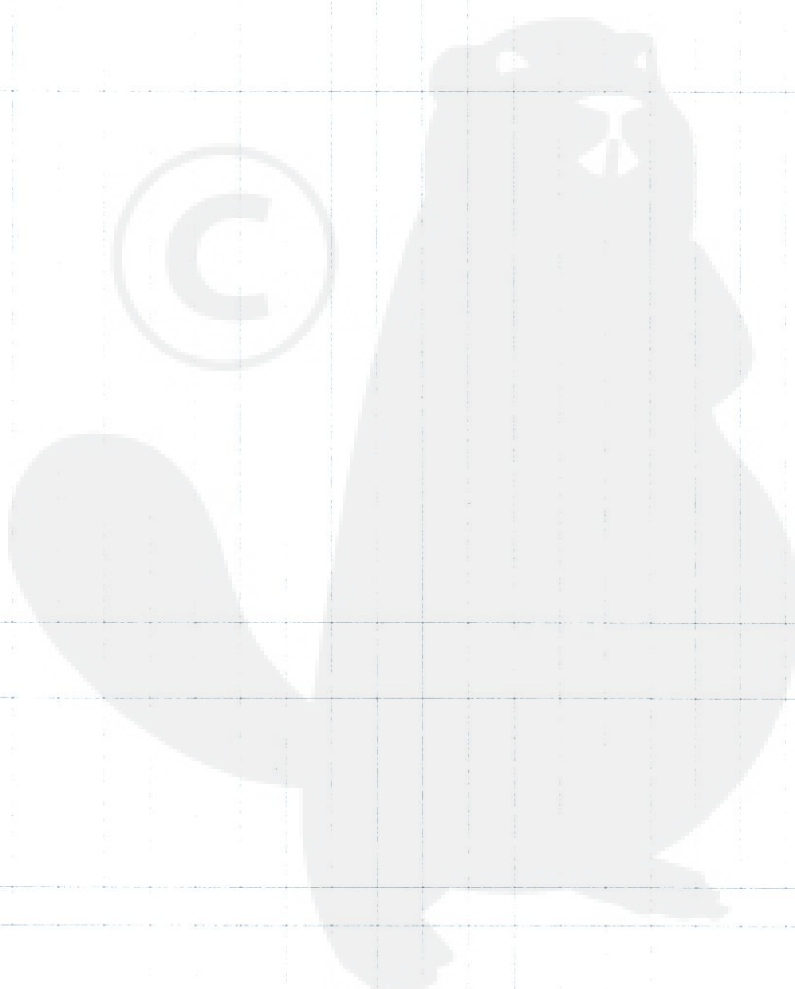
Group: Duster/Mist Blowers Model: DM-4600 Section: Fan Case, Lower Tank (4)

Key	Lv	Part Number	Q'ty	Description	Remarks	Note
4		900286-05025	11	SCREW 5*25	SUS	
5		275100-06211	1	SHUTTER ASSY	Sus. by 275100-06212	
5		275100-06212	1	SHUTTER ASSY		
3 +		900174-05018	1	SCREW, SET	Sr/Nr 005434 and before	
6 +		900720-00004	1	O-RING (P-4)		
7 +		900539-00005	1	NUT, WING 5		
8 +		250110-06211	1	PLATE, STABILIZER	Sr/Nr 005434 and before	
8 +		250110-06212	1	STABILIZER	Sr/Nr 005435 and after	
9 +		270015-06210	1	STUD	Sr/Nr 005434 and before	
9 +		270015-06211	1	BOLT, STUD	Sr/Nr 005435 and after	
10 +		900226-04010	2	SCREW, 4*10		
11 +		270145-06210	1	SHUTTER		
12 +		275123-05510	2	SPACER 10*19.5*0.3		
13 +		270153-06210	1	SHAFT, SHUTTER		
14 +		900295-04014	4	SCREW 4*14		
15 +		270110-06210	1	SHUTTER		
16 +		270112-06210	1	SHUTTER, METERING	Sus. by 270112-06211	
16 +		270112-06211	1	SHUTTER, METERING		
17 +		270119-06210	1	GASKET, SHUTTER		
18 +		210035-06310	1	PACKING, DUST		
19 +		270122-06211	1	PLATE, EYE		
20		200107-06410	1	CASE, FAN	Sr/Nr 006348 and before	
20		200107-06510	1	CASE, FAN	Sr/Nr 006349 and after	
21		210425-04110	2	BOLT		
22		900609-00005	2	WASHER, SPRING 5 SUS		
23		900604-00005	2	WASHER 5 SUS		
24		270010-06210	1	TANK, LOWER		
24		270010-06211	1	TANK, LOWER	Sus. by 270010-06211	

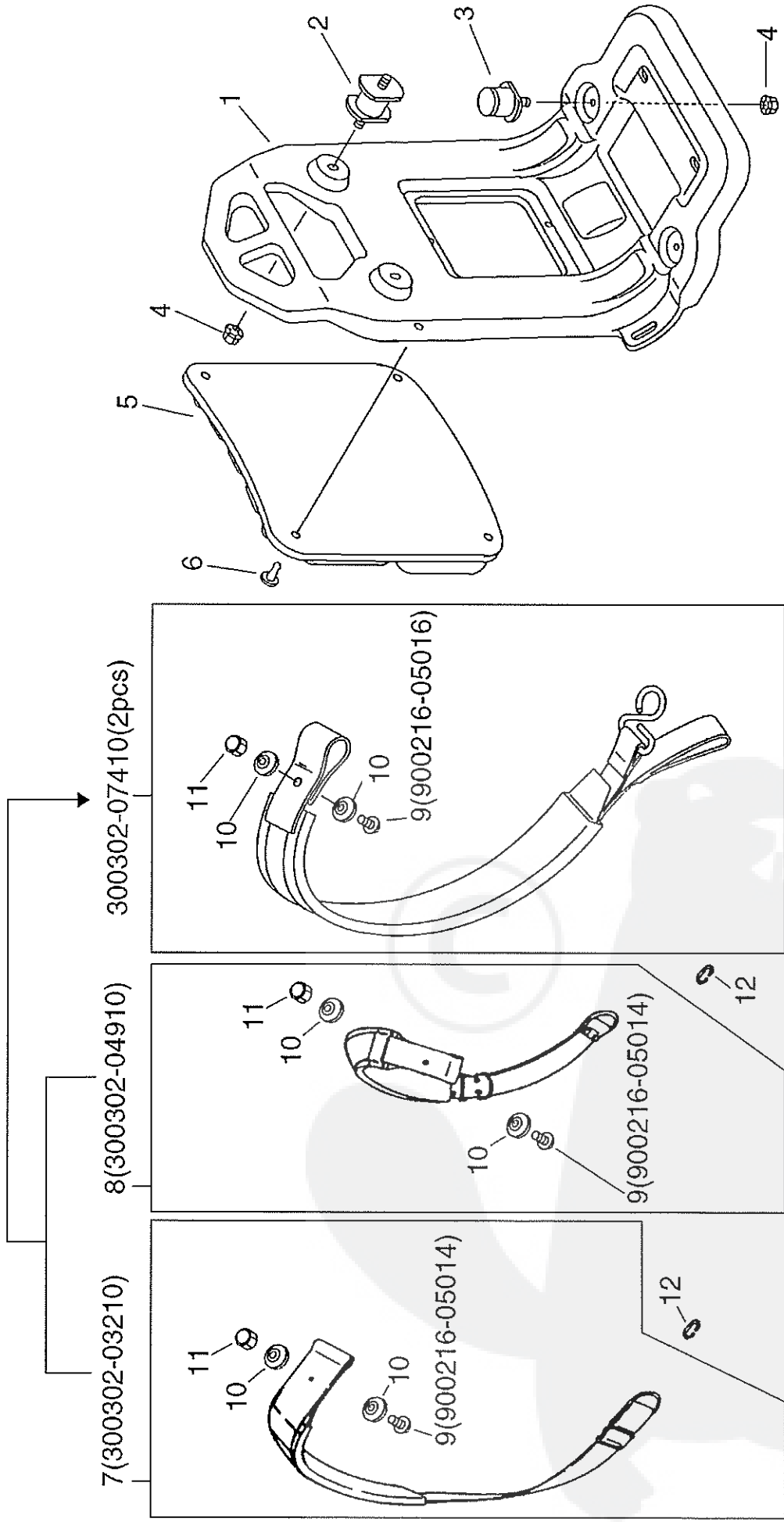
P a r t s L i s t

Group: Duster/Mist Blowers Model: DM-4600 Section: Fan Case, Lower Tank (4)

Key	Lv	Part Number	Q'ty	Description	Remarks	Note
25		270018-06210	1	PACKING		
26		370321-06210	1	PLATE		
27		370316-06210	1	GUIDE, AIR		
28		370301-06210	1	PIPE, DUST OUTLET	Sus. by 370301-06211	
28		370301-06211	1	PIPE, DUST OUTLET		
29		900504-00005	2	NUT 5B		
30		200105-06410	1	CASE, FAN	Sr/Nr 006348 and before	
30		200105-06510	1	CASE, FAN	Sr/Nr 006349 and after	



No.5

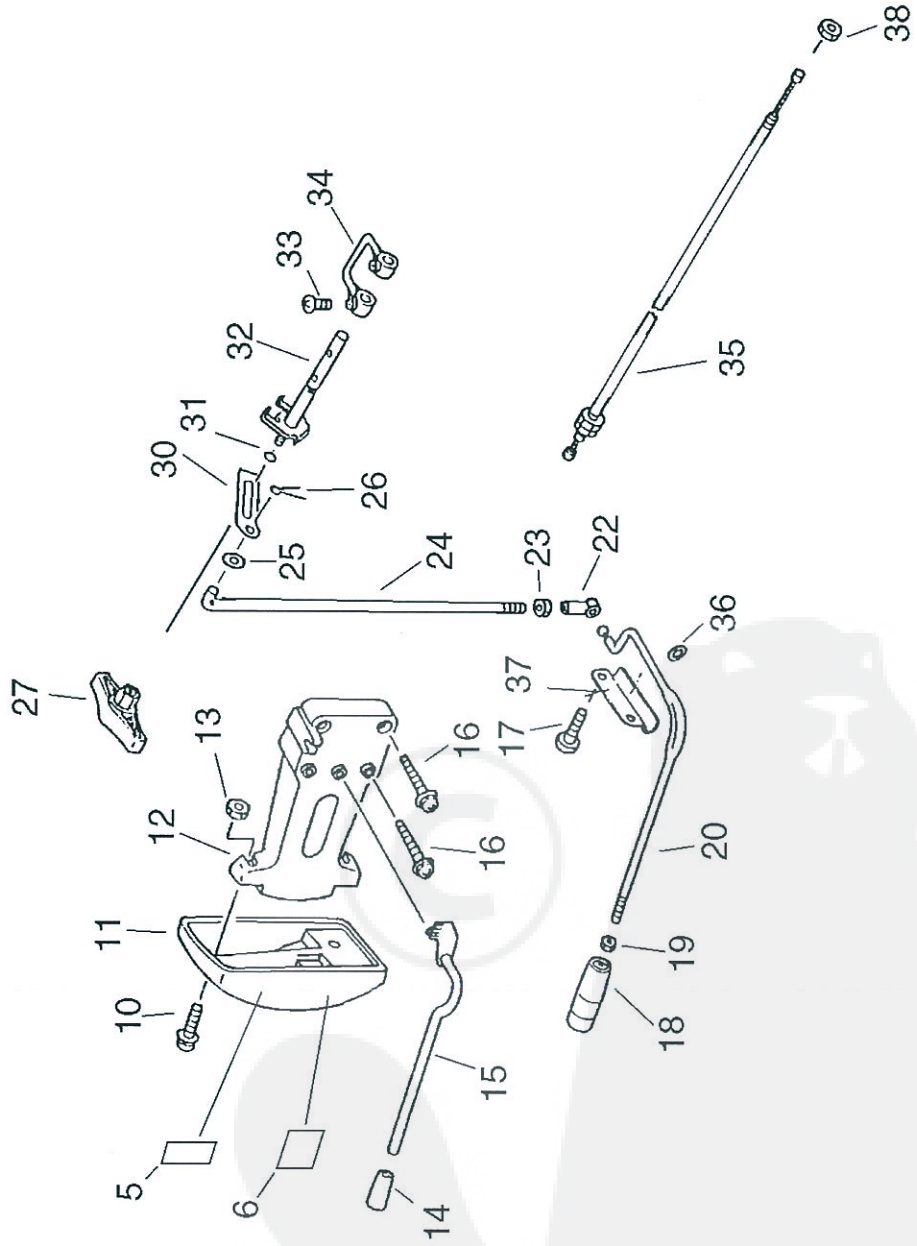


P a r t s L i s t

Group: Duster/Mist Blowers Model: DM-4600 Section: Harness (5)

Key	Lv	Part Number	Q'ty	Description	Remarks	Note
1		300010-06410	1	FRAME, BACKPACK	Sr/Nr 006048 and before	
1		300010-07310	1	FRAME, BACKPACK	Sus. by 300010-07311	
1		300010-07311	1	FRAME, BACKPACK	Sr/Nr 006049 and after	
2		200910-06210	2	CUSHION		
3		200916-03210	2	CUSHION		
4		250916-06210	4	NUT		
5		300111-06410	1	CUSHION, KNAPSACK	Sr/Nr 006048 and before	
5		300111-14010	1	CUSHION, KNAPSACK	Sr/Nr 006049 and after	
6		300333-06410	4	CLIP	Sr/Nr 006048 and before	
6		300333-06160	4	CLIP	Sr/Nr 006049 and after	
7		300302-03210	1	HARNES, W/PAD	Sus. by 300302-07410	
7		300302-07410	1	HARNES, W/PAD		
9 +		900216-05014	1	SCREW, 5*14	Sr/Nr 006048 and before	
9 +		900216-05016	1	SCREW, 5*16	Sr/Nr 006049 and after	
10 +		300328-03210	2	WASHER, HARNES		
11 +		900560-00005	1	NUT, LOCK		
12		300318-06210	2	HOOK		
8		300302-04910	1	HARNES, W/PAD	Sr/Nr 006048 and before	
8		300302-07410	1	HARNES, W/PAD	Sus. by 300302-07410	
9 +		900216-05014	1	SCREW, 5*14	Sr/Nr 006048 and before	
9 +		900216-05016	1	SCREW, 5*16	Sr/Nr 006049 and after	
10 +		300328-03210	2	WASHER, HARNES		
11 +		900560-00005	1	NUT, LOCK		

No.6



P a r t s L i s t

Group: Duster/Mist Blowers Model: DM-4600 Section: Control Lever (6)

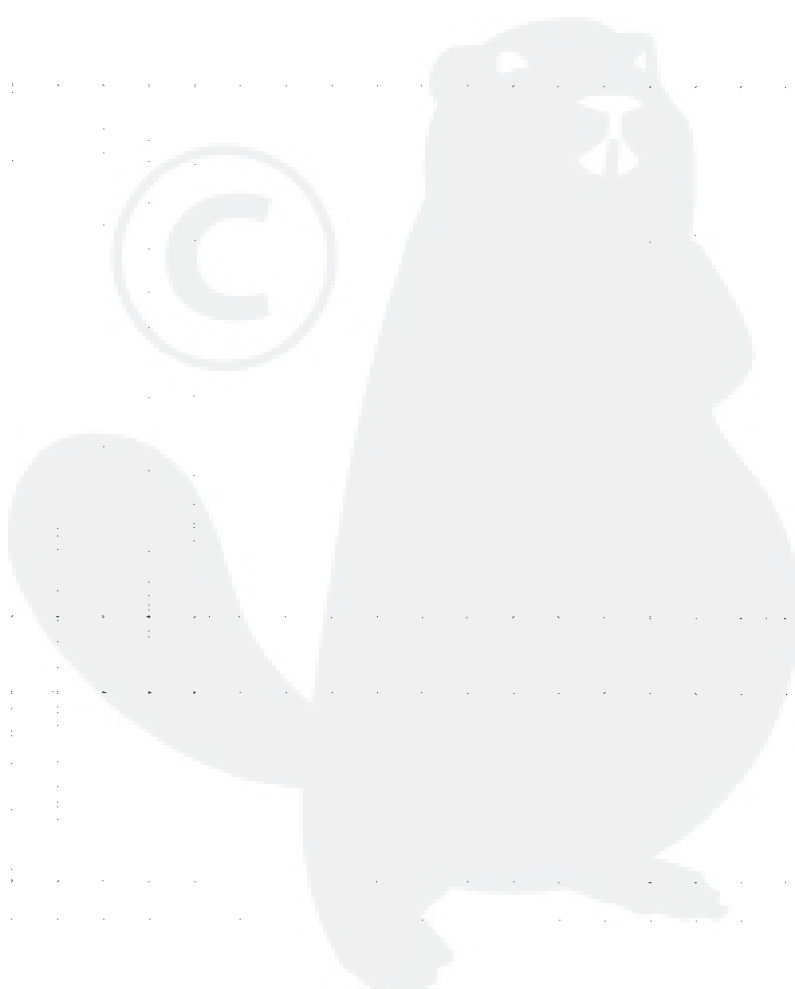
Key	Lv Part Number	Q'ty	Description	Remarks	Note
5	890348-05060	1	LABEL, SPEED		
6	890157-39130	1	LABEL, SWITCH		
10	900292-05025	2	SCREW 5*25		
11	701111-06210	1	DIAL	Sus. By 701111-06212	
11	701111-06211	1	DIAL	Sus. By 701111-06212	
11	701111-06212	1	DIAL		
12	701112-06410	1	BRACKET, DIAL		
13	900504-00005	2	NUT 5B		
14	701021-02910	1	KNOB, LEVER		
15	178005-06410	1	LEVER, THROTTLE	Sus. by 178005-06411	
15	178005-06411	1	LEVER, THROTTLE		
16	900286-05025	4	SCREW 5*25	SUS	
17	900286-05016	2	SCREW 5*16	SUS	
18	701007-06610	1	KNOB, LEVER		
19	900502-00006	1	NUT 6 (3N)		
20	701010-06610	1	LEVER, CONTROL		
22	701020-05510	1	CONNECTOR		
23	900500-00005	1	NUT 5		
24	701014-06210	1	ROD, CONTROL LEVER	Sus. by 701014-06510	
24	701014-06510	1	ROD, CONTROL LEVER		
25	900604-00006	2	WASHER 6(SUS)	Sr/Nr 004850 and before	
26	900304-14010	1	SPLIT PIN 1.4*10	Sr/Nr 004850 and before	
26	605612-06510	1	PIN, SNAP	Sr/Nr 004851 and after	
27	270207-04310	1	NUT (BS)		
30	270212-06410	1	ARM, SHUTTER		
31	900720-00007	1	O-RING 7		
32	270205-06410	1	SHAFT, SHUTTER	Sus. by 270205-06411	
32	270205-06411	1	SHAFT, SHUTTER		

P a r t s L i s t

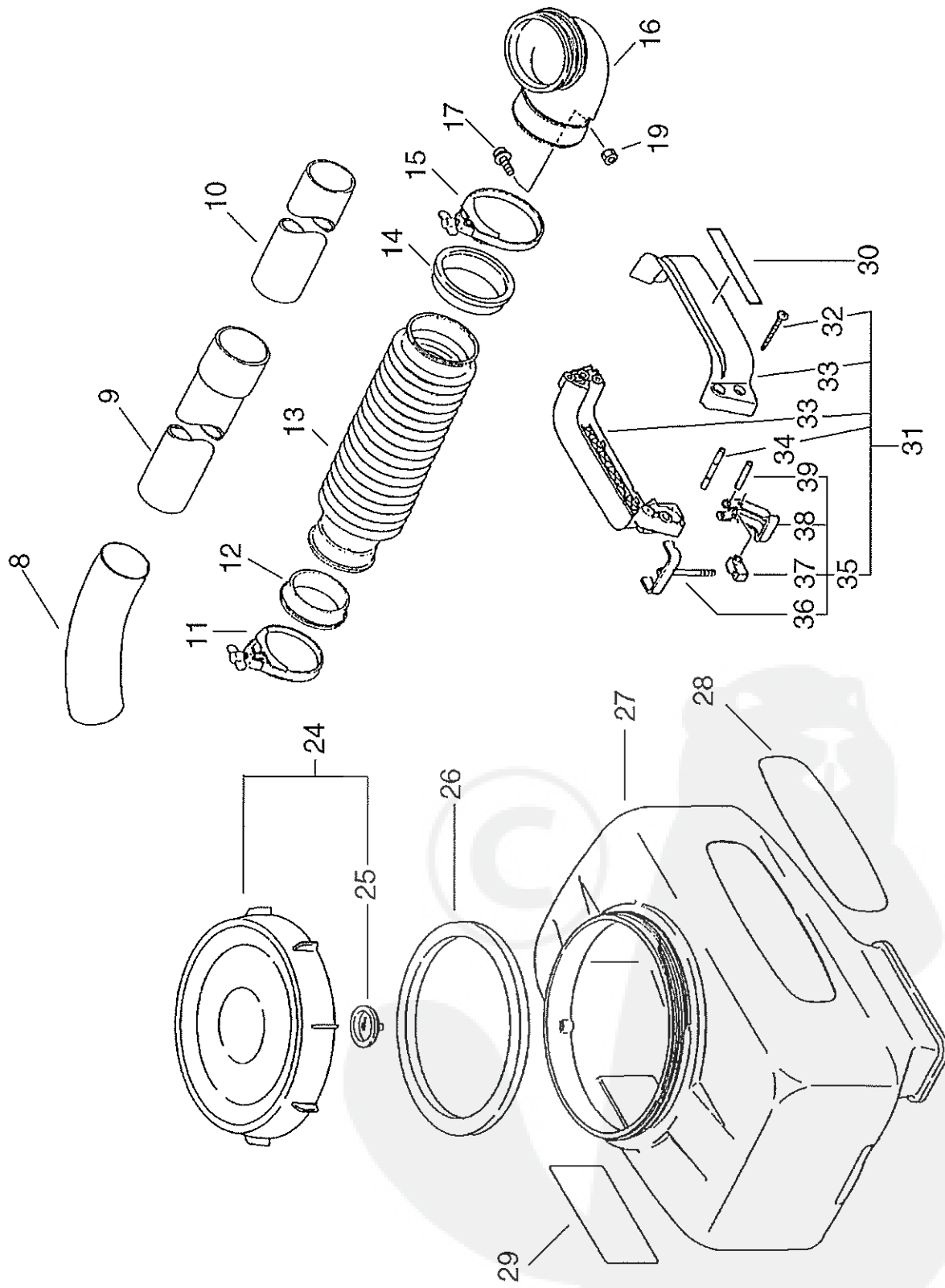
Group:Duster/Mist Blowers Model:DM-4600 Section:Control Lever(6)

Key Lv Part Number Q'ty Description Remarks Note

33	900292-04014	2	SCREW 4*14		
34	270216-06210	1	ARM		
35	178001-05810	1	WIRE, THROTTLE		
36	900600-00008	1	WASHER 8		
37	701028-06210	1	HOLDER, STOPPER		
38	900503-00006	1	NUT (3N 6*0.75)		



No.7



P a r t s L i s t

Group:Duster/Mist Blowers Model:DM-4600 Section:Chemical Tank (7)

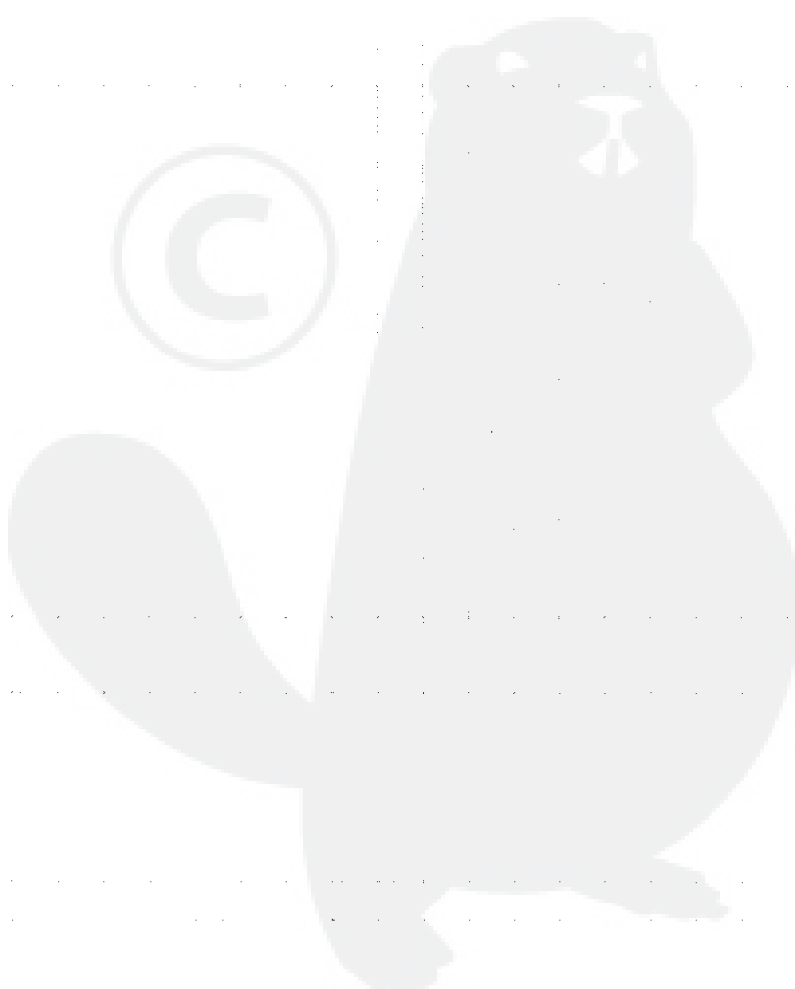
Key	Lv	Part Number	Q'ty	Description	Remarks	Note
8		210023-00210	1	PIPE, CURVED (GY)		
9		210015-01110	1	PIPE, STRAIGHT (GY)		
10		210014-01610	1	PIPE, STRAIGHT		
11		210407-01110	1	CLAMP, FLEXIBLE PIPE		
12		210032-04110	1	PACKING, FLX. PIPE		
13		210013-04111	1	PIPE, FLEXIBLE		
14		210036-04110	1	GASKET, FLX. PIPE		
15		210407-04110	1	CLAMP, FLEXIBLE PIPE		
16		210011-05510	1	ELBOW, BLOWING		
17		900242-05014	1	SCREW 5*14		
19		900500-00005	1	NUT 5		
24		250001-05610	1	CAP, CHEMICAL TANK		
25 +		250013-00310	1	CAP, INSIDE		
26		250011-02011	1	PACKING		
27		250017-06510	1	TANK, CHEMICAL (23L)	Sus. by 250017-06512	
27		250017-06512	1	TANK, CHEMICAL (23L)	Sus. by 250017-06513	
27		250017-06513	1	TANK, CHEMICAL		
28		890118-04261	1	LABEL, ECHO		
29		890160-09460	1	LABEL, CAUTION	Sus. by 890160-09461	
29		890160-09461	1	LABEL, CAUTION		
30		890151-06410	1	LABEL, MODEL		
31		270000-06310	1	HOLDER ASSY, C.TANK		
32 +		900286-05035	4	SCREW 5*35		
33 +		250910-06310	2	HOLDER, C. TANK		
34 +		250914-06210	2	PIN, TANK HOLDER		
35 +		250902-06310	2	BRACKET ASSY, C.TANK		
36 ++		250915-06310	2	BOLT, TANK HOLDER		
37 ++		250930-06210	2	CONNECTOR, BRACKET		

P a r t s L i s t

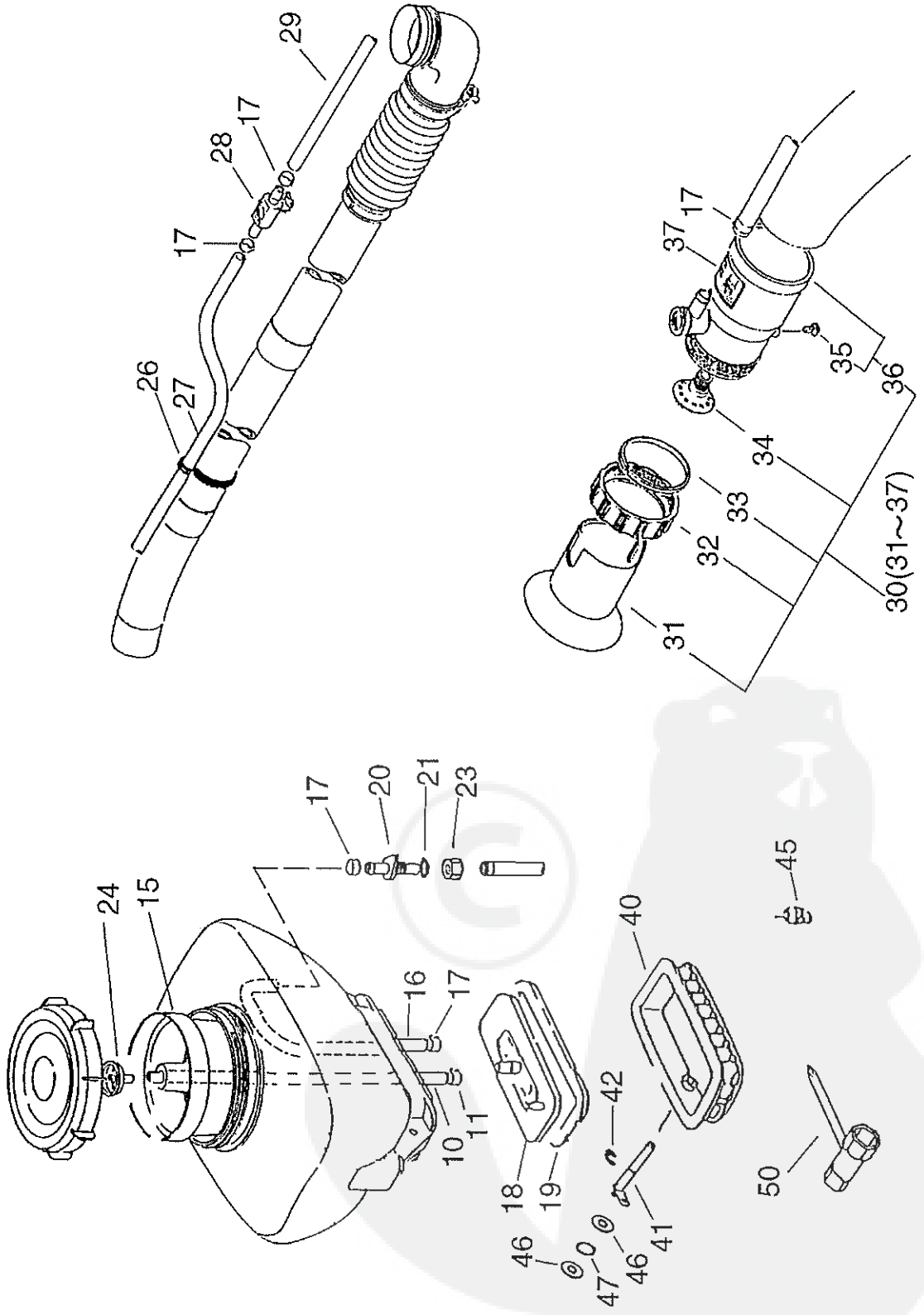
Group: Duster/Mist Blowers Model: DM-4600 Section: Chemical Tank (7)

Key Lv Part Number Q'ty Description Remarks Note

38 ++ 250392-06210 2 BRACKET, TANK
39 ++ 900333-70380 2 PIN, STRAIGHT



No.8



P a r t s L i s t

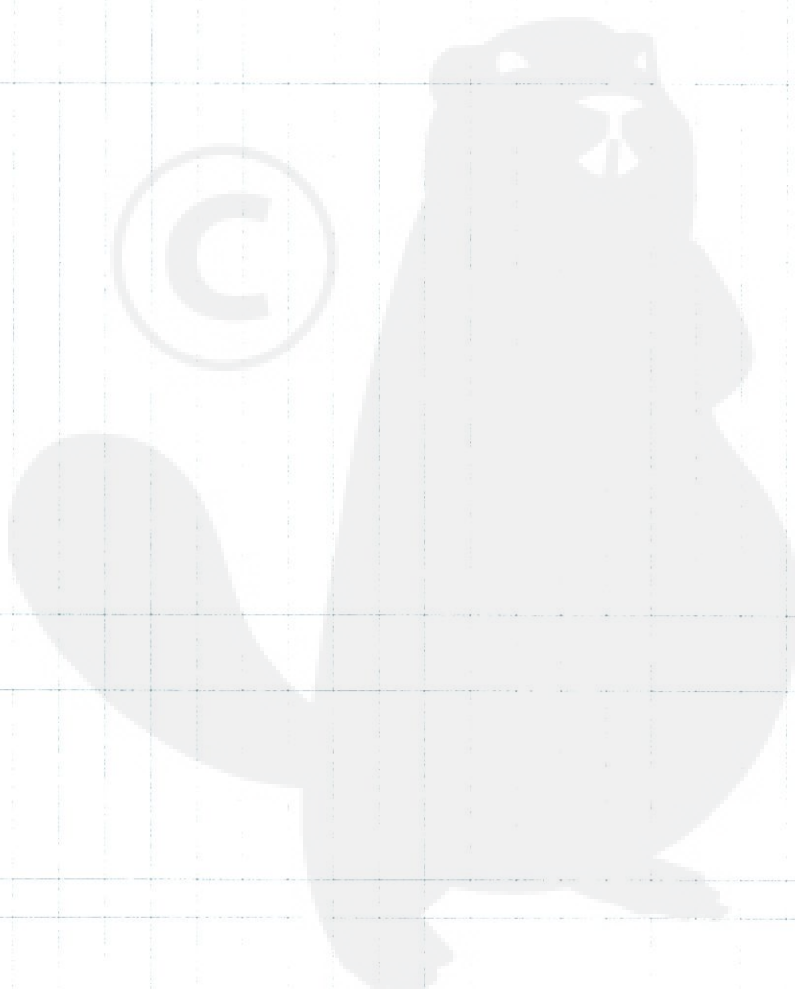
Group: Duster/Mist Blowers Model: DM-4600 Section: Mist Blower, Tool (8)

Key	Lv	Part Number	Q'ty	Description	Remarks	Note
10		382011-01110	1	PIPE (9*13)		
11		357013-00210	1	CLIP 11	Sus. by 132013-14010	
11		132013-14010	1	BAND		
15		254210-03210	1	FILTER		
16		363014-03210	1	PIPE (INNER)		
17		357023-01110	5	CLIP 13	Sus. by V495-000310	
17		V495-000310	5	BAND		
18		253010-06210	1	PLATE, BASE		
19		270119-06210	1	GASKET, SHUTTER		
20		357010-01110	1	NIPPLE, OUTLET		
21		357014-01110	1	O-RING		
23		357015-01110	1	NUT, HOLLOW		
24		363023-01110	1	CLIP		
26		357911-00110	1	CLIP, PIPE		
27		357012-01110	1	PIPE (L-1050)		
28		358100-01110	1	VALVE ASS'Y, PIPE		
29		357032-01110	1	PIPE (L-720)		
30		212500-01111	1	NOZZLE ASS'Y, MISTBL		
31 +		212515-01110	1	COLLAR, NOZZLE		
32 +		212514-01110	1	NUT, MISTING NOZZLE		
33 +		212513-01110	1	RING, MISTING NOZZLE		
34 +		222000-01110	1	NOZZLE		
36 +		212501-01111	1	HEAD, NOZZLE BL		
35 ++		900246-05012	1	SCREW 5*12		
37 +		890031-01110	1	LABEL, MIST		
40		270010-06210	1	TANK, LOWER	Sus. by 270010-06211	
40		270010-06211	1	TANK, LOWER		
41		701033-06210	1	PIN, STRAIGHT 10	Sus. by 701033-06211	

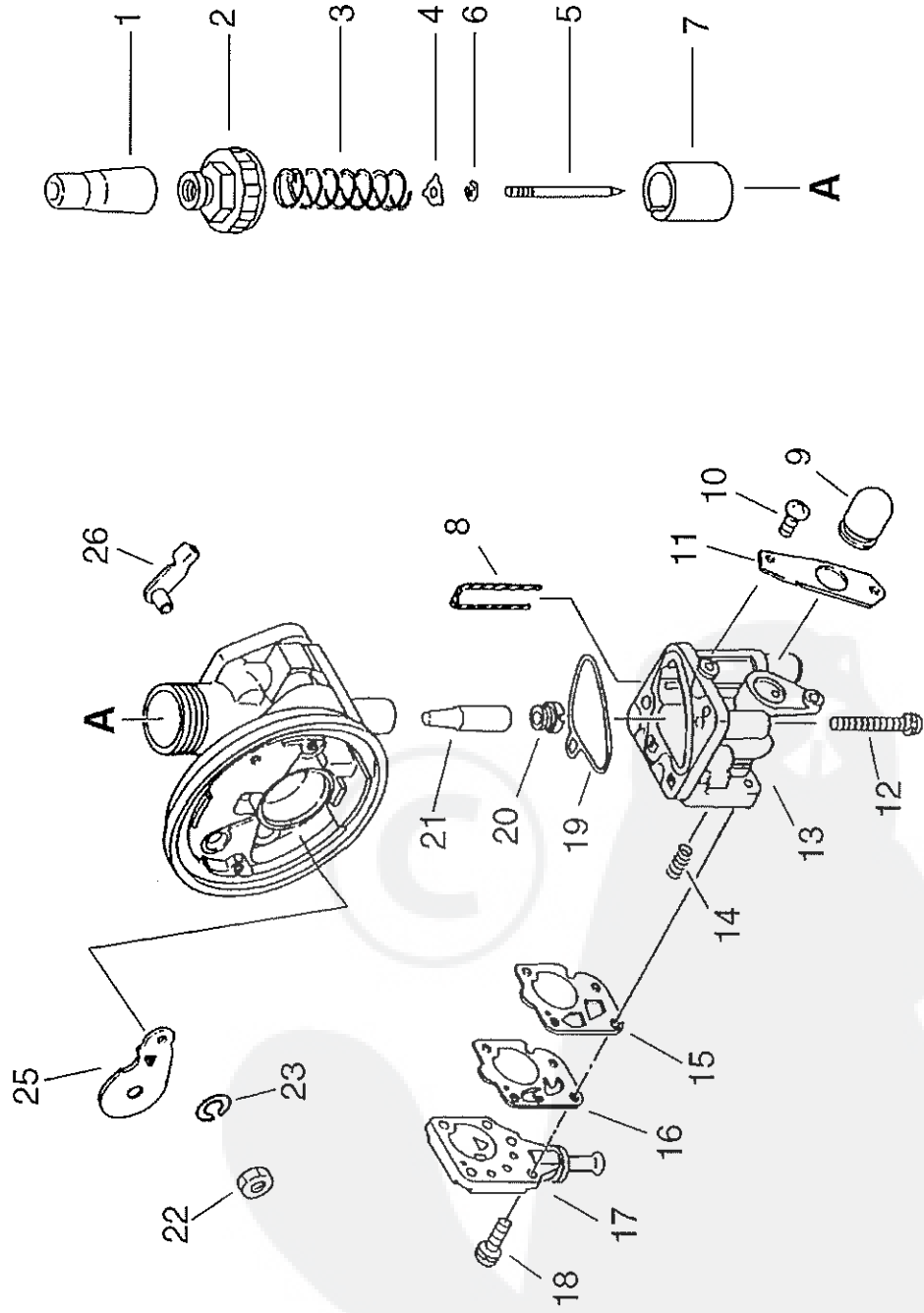
P a r t s L i s t

Group: Duster/Mist Blowers Model: DM-4600 Section: Mist Blower, Tool (8)

Key	Lv	Part Number	Q'ty	Description	Remarks	Note
41		701033-06211	1	PIN, STRAIGHT 10		
42 +		900703-00008	1	E-RING 8 SUS	Sr/Nr 006733 and after	
45		250016-01110	1	PLUG		
46		900600-00006	2	WASHER 6	Sr/Nr 006732 and before	
47		900720-00005	1	O-RING 5	Sr/Nr 006732 and before	
50		895410-03930	1	WRENCH, W/S. DRIVER		



No.9



P a r t s L i s t

Group: Duster/Mist Blowers Model: DM-4600 Section: Carburetor (9)

Key	Lv Part Number	Q'ty	Description	Remarks	Note
	124200-06410	1	CARBURETOR ASSY		
1 +	124174-11120	1	CAP		
2 +	124113-05910	1	COVER, TOP		
3 +	124114-11120	1	SPRING, THROTTLE		
4 +	124115-11120	1	SEAT, SPRING		
5 +	124117-05910	1	NEEDLE, JET		
6 +	124116-05530	1	E-RING		
7 +	124118-05910	1	VALVE, THROTTLE		
8 +	124182-05510	1	WIRE, DRAIN		
9 +	124381-05511	1	CAP		
10 +	900241-04008	2	SCREW 4*8		
11 +	124163-05510	1	PLATE		
12 +	900241-04030	2	SCREW 4*30 (W/SW)		
13 +	124124-05910	1	CHAMBER		
14 +	124367-21330	2	SPRING, COIL		
15 +	124363-21330	1	GASKET, PUMP DIAPH.		
16 +	124364-05510	1	DIAPHRAGM, FUEL PUMP		
17 +	124365-05510	1	COVER, PUMP		
18 +	900241-03010	4	SCREW 3*10 (W/SW)		
19 +	124123-05510	1	GASKET, CHAMBER		
20 +	124122-05510	1	JET, MAIN		
21 +	124162-05510	1	JET, NEEDLE		
22 +	124111-05810	1	NUT		
23 +	900605-00006	1	WASHER, SPRING 6		
25 +	124143-05810	1	PLATE, CHOKE		
26 +	124142-05810	1	LEVER, CHOKE		