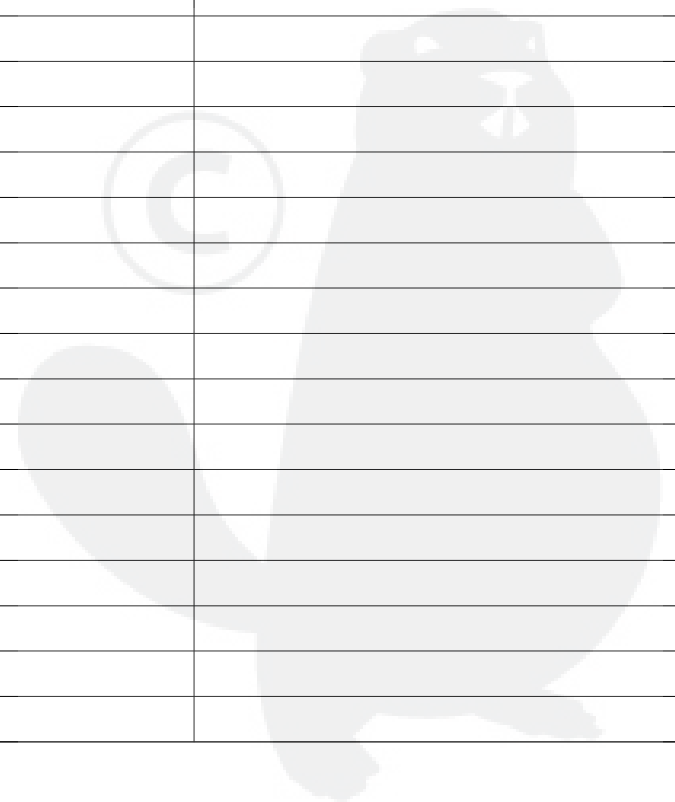
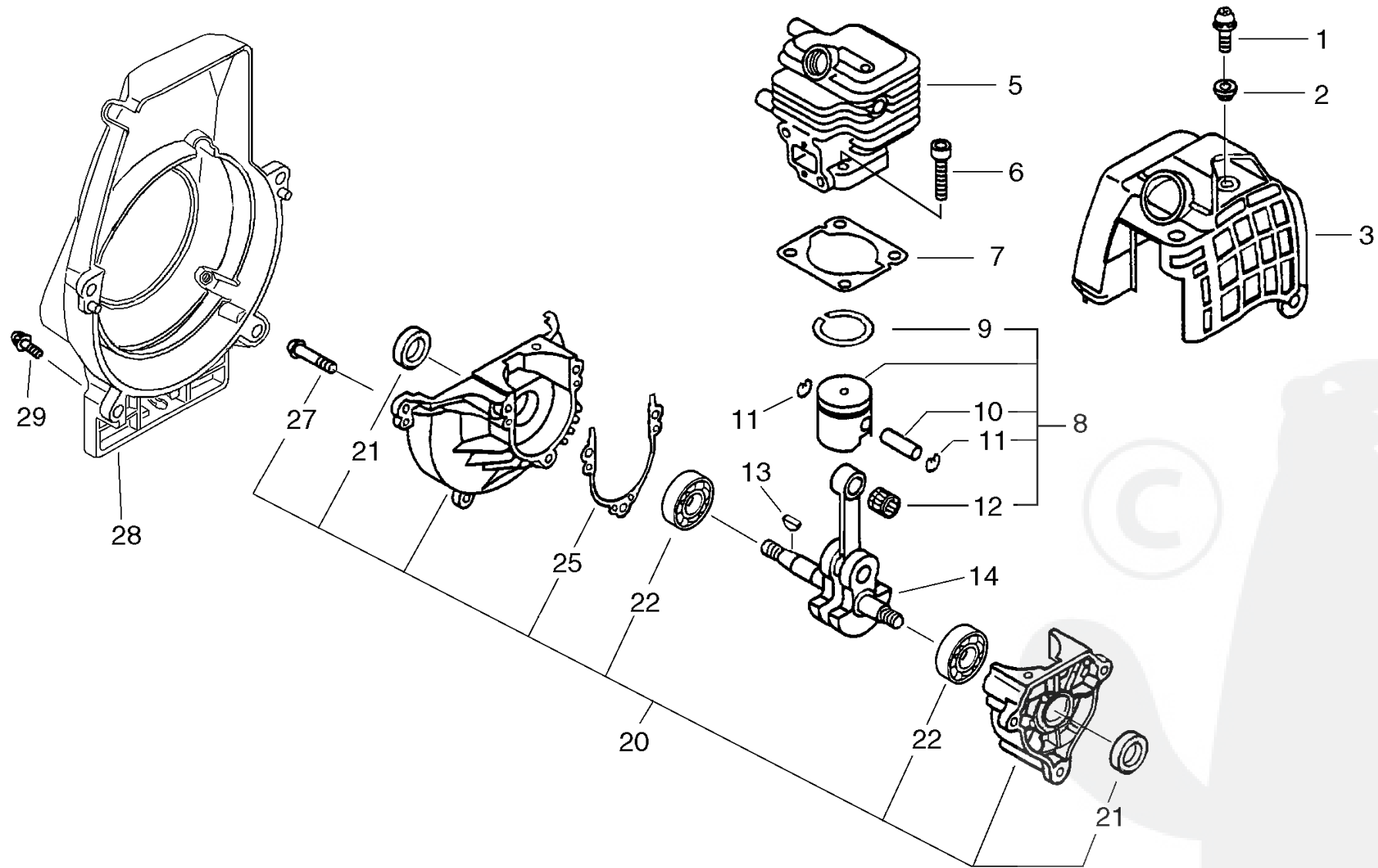


# P a r t s L i s t

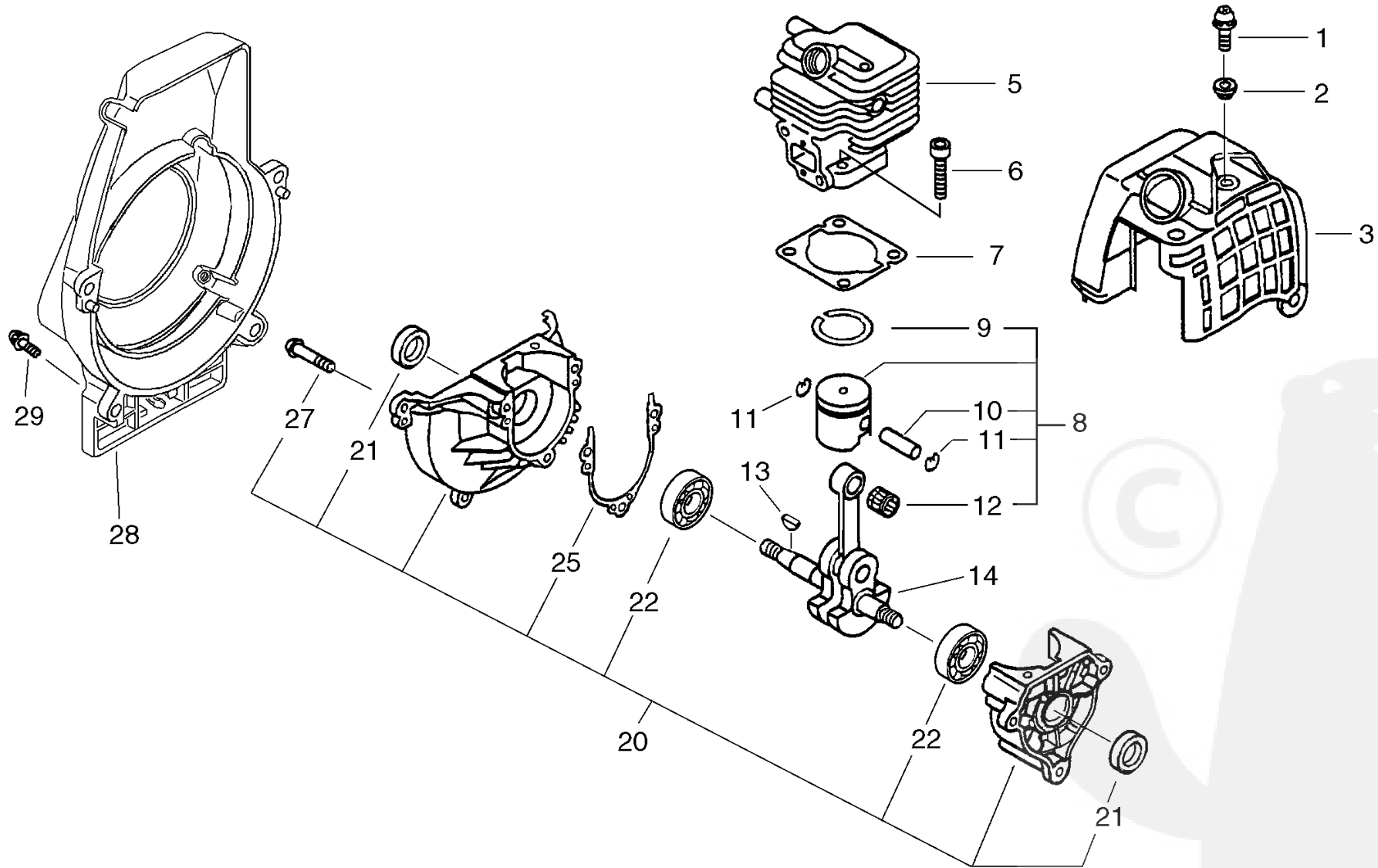
Group:Power Sprayers Model:SHR-150SI(35)(36) Section:Cylinder, Crankcase, Piston(Sr/Nr 36003536 and before) ( 1)

Key	Lv	Part Number	Q'ty	Description	Remarks	Note
1		900239-05018	1	SCREW 5*18		
2		150117-16430	1	SPACER	Sus. By V323-000060	
3		101514-61831	1	COVER, CYLINDER		
5		101011-61831	1	CYLINDER	Sr/Nr 35001852 and before	
5		A130-000611	1	CYLINDER	Sr/Nr 36001001 and after	
6		900162-05020	2	BOLT, H.S. 5*20		
7		101010-61830	1	GASKET, CYL. BASE	Sr/Nr 35001852 and before	
7		V100-000120	1	GASKET, CYL	Sr/Nr 36001001 and after	
8		100000-61830	1	PISTON KIT	Sr/Nr 35001852 and before	
8		P021-008710	1	PISTON KIT	Sr/Nr 36001001 and after Sus. by P021-014760	
9 +		100011-05330	1	RING, PISTON	Sr/Nr 35001852 and before	
9 +		A101-000090	1	RING, PISTON	Sr/Nr 36001001 and after	
10 +		100013-61830	1	PIN, PISTON		
11 +		100015-61830	2	RING, SNAP		
12 +		100012-61830	1	BEARING, NEEDLE		
13		100142-12330	1	KEY, WOODRUFF		
14		100100-61831	1	CRANKSHAFT		
20		P021-004340	1	CRANK CASE KIT		
21 +		100212-61830	2	OILSEAL		
22 +		900810-36000	2	BEARING, BALL		
25 +		100242-61830	1	GASKET, CRANKCASE		
27 +		900162-05025	3	BOLT, H.S. 5*25		
28		A172-000370	1	COVER, FAN		
29		900239-05016	4	SCREW 5*16		





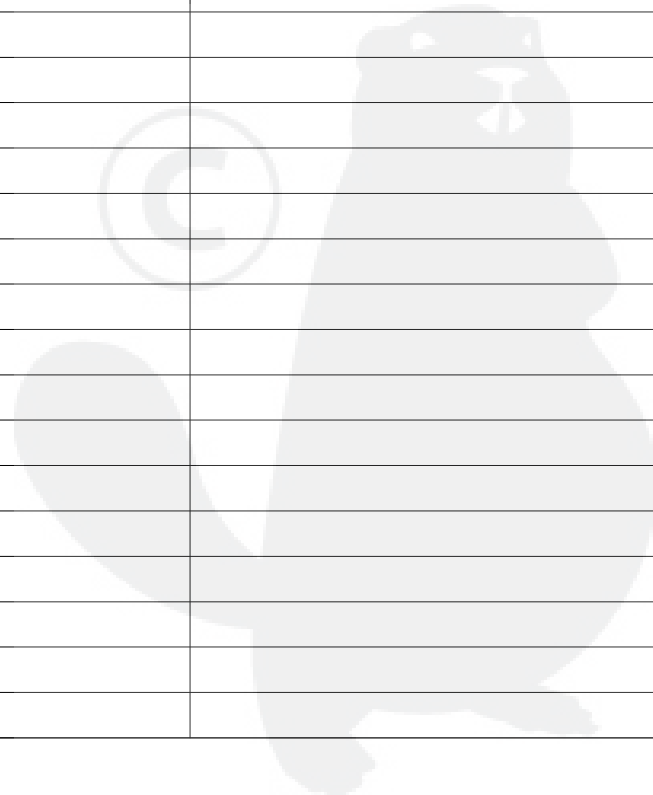


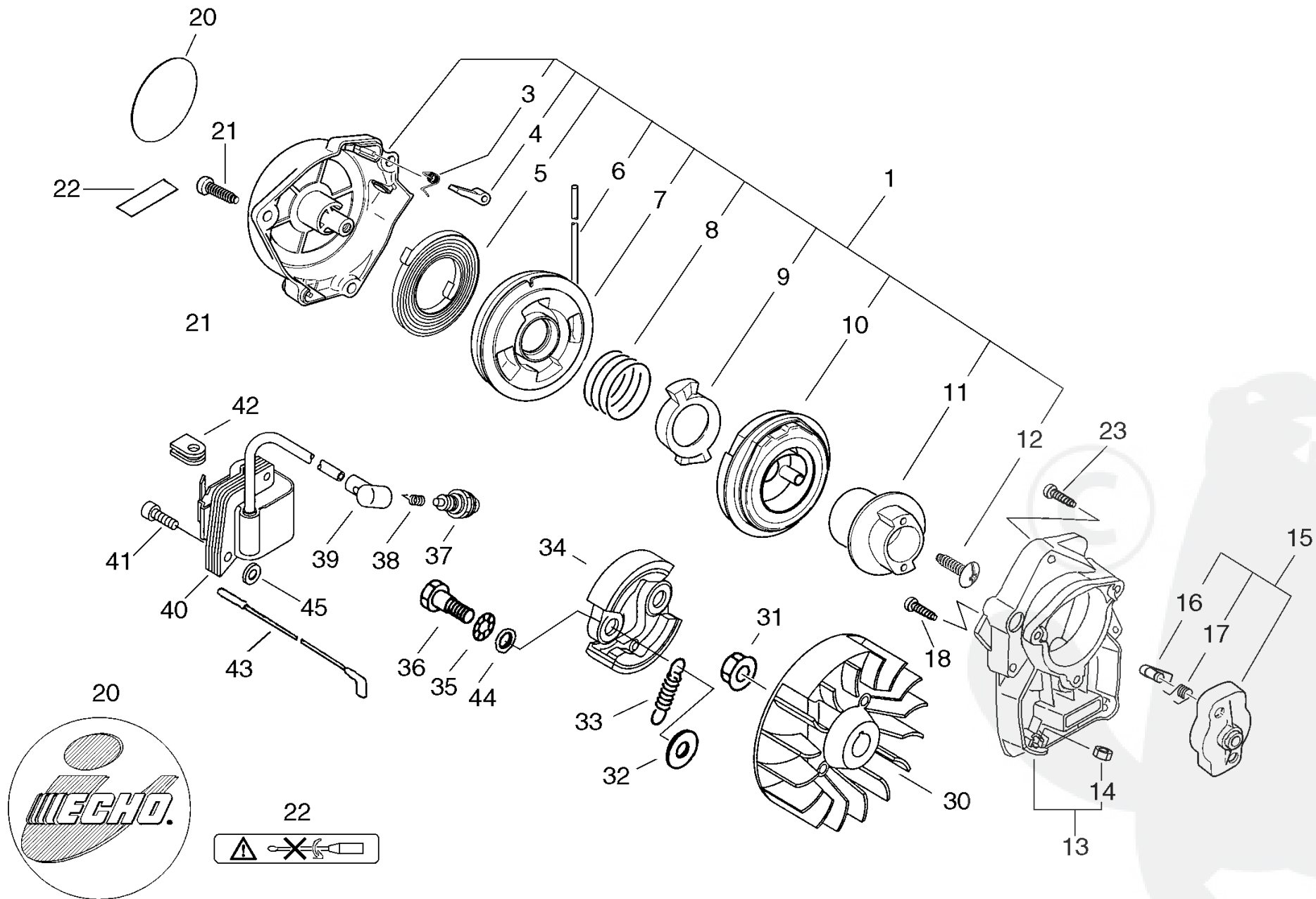


# P a r t s L i s t

Group:Power Sprayers Model:SHR-150SI(35)(36) Section:Cylinder, Crankcase, Piston(Sr/Nr 36003639 and after) ( 3)

Key	Lv	Part Number	Q'ty	Description	Remarks	Note
1		900239-05018	1	SCREW 5*18		
2		V323-000060	1	WASHER,CIRCULAR 5		
3		101514-61831	1	COVER, CYLINDER		
5		A130-000611	1	CYLINDER		
6		900162-05020	2	BOLT, H.S. 5*20		
7		V100-000120	1	GASKET,CYL		
8		P021-008710	1	PISTON KIT	Sus. by P021-014760	
8		P021-014760	1	PISTON KIT		
9	+	A101-000090	1	RING,PISTON		
10	+	100013-61830	1	PIN, PISTON		
11	+	100015-61830	2	RING, SNAP		
12	+	100012-61830	1	BEARING, NEEDLE		
13		100142-12330	1	KEY, WOODRUFF		
14		100100-61831	1	CRANKSHAFT		
20		P021-004340	1	CRANK CASE KIT		
21	+	100212-61830	2	OILSEAL		
22	+	900810-36000	2	BEARING, BALL		
25	+	100242-61830	1	GASKET, CRANKCASE		
27	+	900162-05025	3	BOLT, H.S. 5*25		
28		A172-000370	1	COVER,FAN		
29		900239-05016	4	SCREW 5*16		





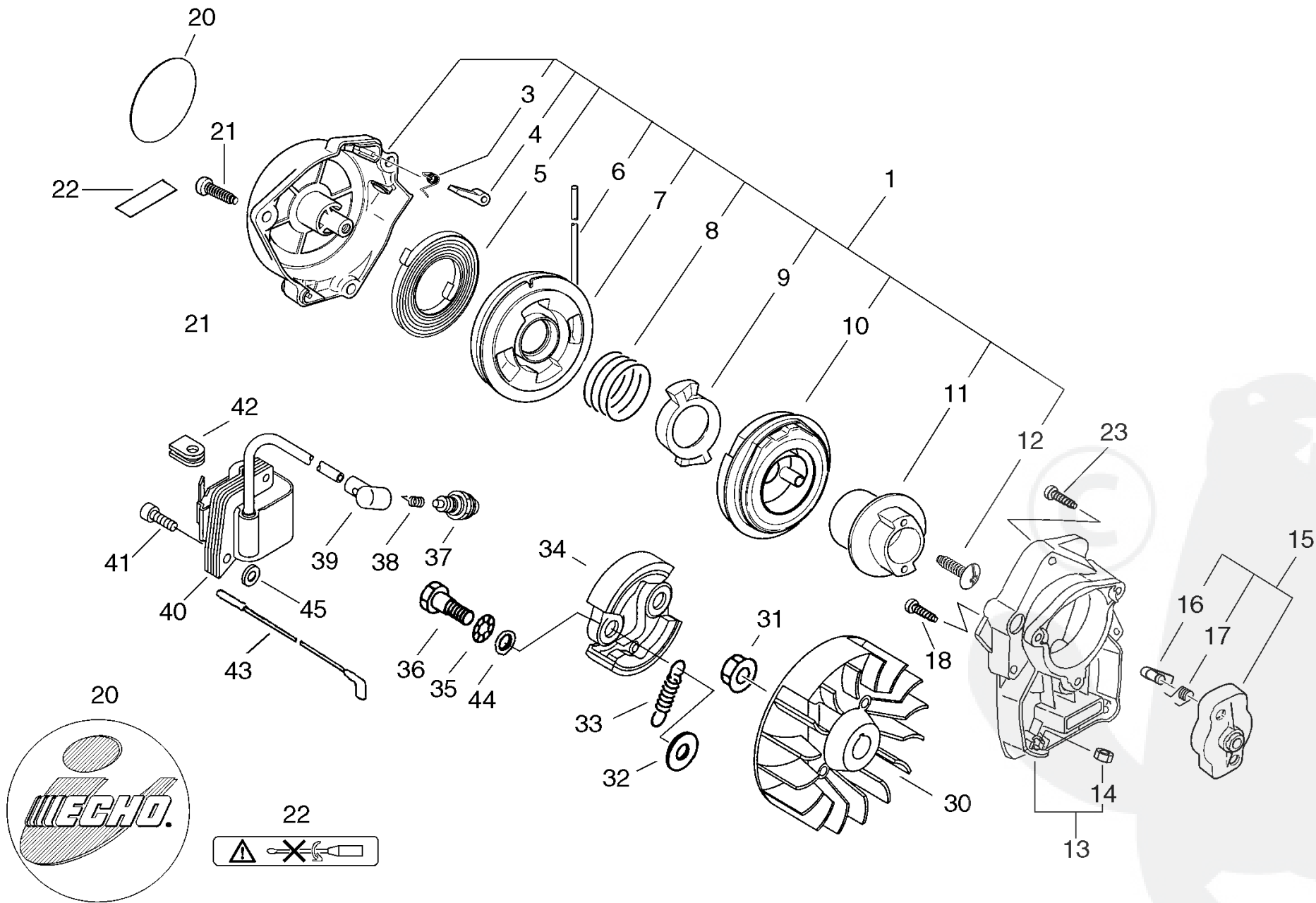
# Parts List

Group:Power Sprayers Model:SHR-150SI(35)(36) Section:Starter, Magneto, Clutch(Sr/Nr 36003536 and before) ( 4)

Key	Lv	Part Number	Q'ty	Description	Remarks	Note
1		A051-000570	1	STARTER, RECOIL	Sus. by A051-000571	
1		A051-000571	1	STARTER, RECOIL		
3	+	P022-004610	2	SPRING, RETURN		
4	+	P022-004620	2	PAWL, STARTER		
5	+	P022-004680	1	SPRING, SPIRAL		
6	+	P022-006430	1	ROPE, STARTER		
7	+	P022-004690	1	REEL, ROPE		
8	+	P022-004660	1	SPRING, RETURN		
9	+	P022-004670	1	PAWL, STARTER		
10	+	P022-005230	1	COMPLETE, SPRING		
11	+	P022-004640	1	PLATE, CAM		
12	+	P022-004630	1	SCREW		
13		V376-000460	1	SPACER		
14	+	900515-00006	2	NUT, FLANGE 6		
15		A052-000140	1	PULLEY, ASM STARTER		
16	+	P022-005080	2	PAWL, STARTER		
17	+	177234-12220	2	SPRING, PAWL		
18		900239-05022	1	SCREW 5*22		
20		X502-000032	1	LABEL, ECHO	Sus. by X502-000160	
20		X502-000160	1	LABEL, ECHO	Sus. by X502-000460	
21		900253-05020	3	SCREW 5*20		
22		X505-000620	1	LABEL, CAUTION		
23		900239-05016	2	SCREW 5*16		
30		A409-000180	1	ROTOR, MAGNETO		
31		900515-00006	1	NUT, FLANGE 6		
32		175048-05530	2	WASHER (I)		
33		V451-000040	1	SPRING, TENSION		
34		175009-55930	2	SHOE, CLUTCH	Sus. by 175009-55931	





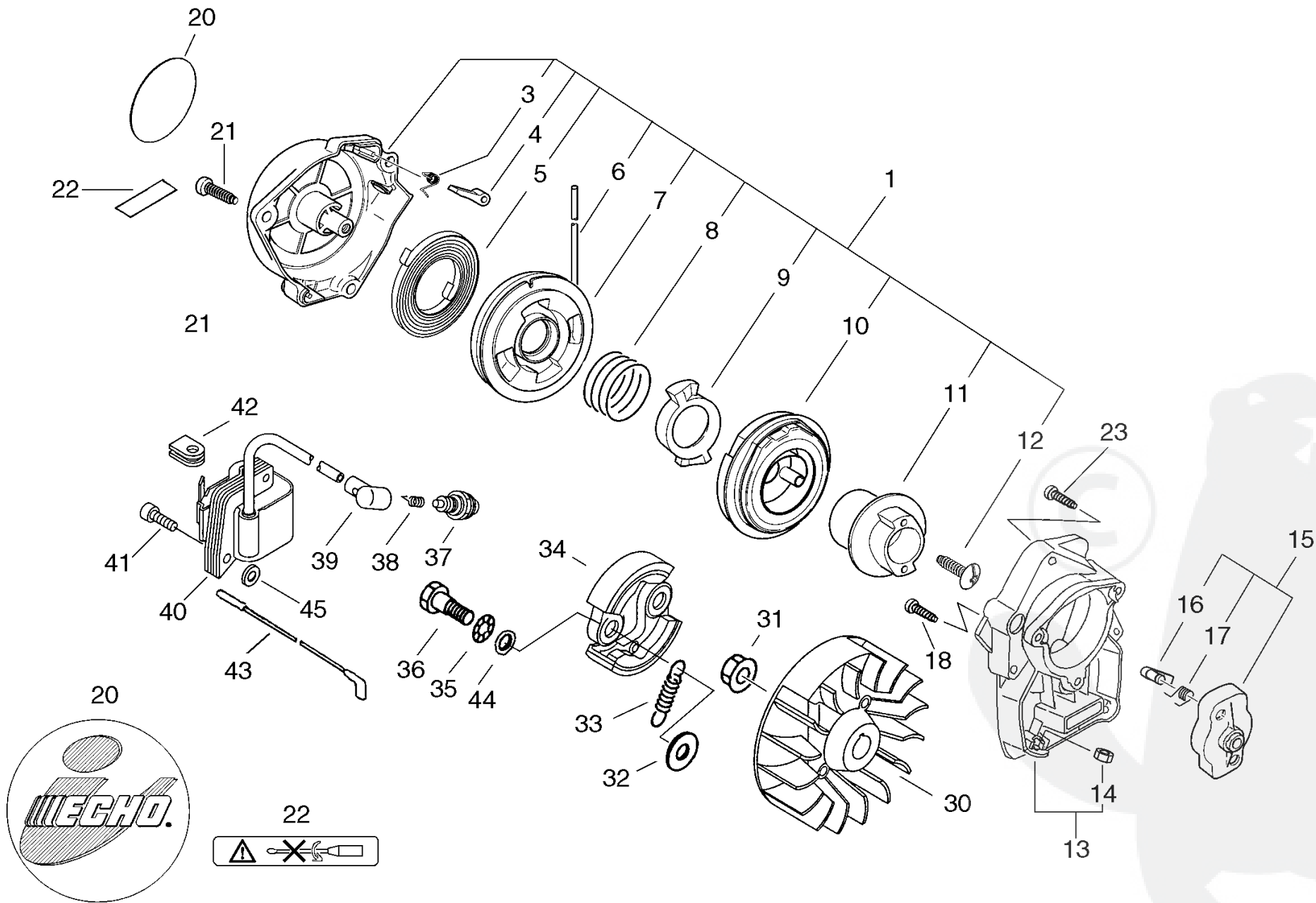


# Parts List

Group:Power Sprayers Model:SHR-150SI(35)(36) Section:Starter, Magneto, Clutch(Sr/Nr 36003537 to 36003638)( 5)

Key	Lv	Part Number	Q'ty	Description	Remarks	Note
1		A051-000571	1	STARTER, RECOIL		
3	+	P022-004610	2	SPRING, RETURN		
4	+	P022-004620	2	PAWL, STARTER		
5	+	P022-004680	1	SPRING, SPIRAL		
6	+	P022-006430	1	ROPE, STARTER		
7	+	P022-004690	1	REEL, ROPE		
8	+	P022-004660	1	SPRING, RETURN		
9	+	P022-004670	1	PAWL, STARTER		
10	+	P022-005230	1	COMPLETE, SPRING		
11	+	P022-004640	1	PLATE, CAM		
12	+	P022-004630	1	SCREW		
13		V376-000460	1	SPACER		
14	+	900515-00006	2	NUT, FLANGE 6		
15		A052-000140	1	PULLEY, ASM STARTER		
16	+	P022-005080	2	PAWL, STARTER		
17	+	177234-12220	2	SPRING, PAWL		
18		900239-05022	1	SCREW 5*22		
20		X502-000460	1	LABEL, ECHO		
21		900253-05020	3	SCREW 5*20		
22		X505-000620	1	LABEL, CAUTION		
23		900239-05016	2	SCREW 5*16		
30		A409-000180	1	ROTOR, MAGNETO		
31		900515-00006	1	NUT, FLANGE 6		
32		175048-05530	2	WASHER (I)		
33		V451-000040	1	SPRING, TENSION		
34		175009-55931	2	SHOE, CLUTCH		
35		175049-56030	2	WASHER		
36		175046-56030	2	SHAFT, CLUTCH		



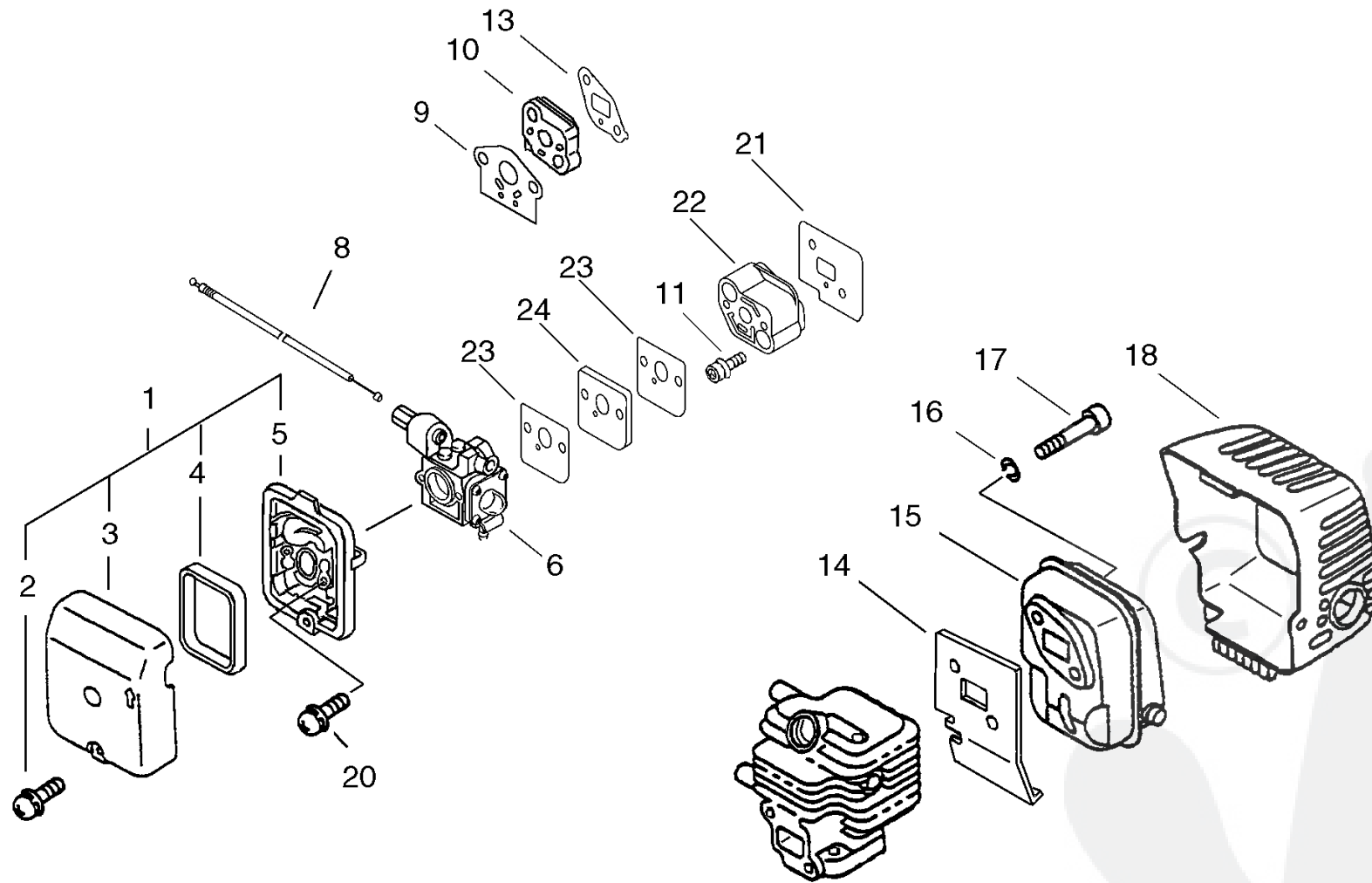


# Parts List

Group:Power Sprayers Model:SHR-150SI(35)(36) Section:Starter, Magneto, Clutch(Sr/Nr 36003639 and after) ( 6)

Key	Lv	Part Number	Q'ty	Description	Remarks	Note
1		A051-000571	1	STARTER, RECOIL		
3	+	P022-004610	2	SPRING, RETURN		
4	+	P022-004620	2	PAWL, STARTER		
5	+	P022-004680	1	SPRING, SPIRAL		
6	+	P022-006430	1	ROPE, STARTER		
7	+	P022-004690	1	REEL, ROPE		
8	+	P022-004660	1	SPRING, RETURN		
9	+	P022-004670	1	PAWL, STARTER		
10	+	P022-005230	1	COMPLETE, SPRING		
11	+	P022-004640	1	PLATE, CAM		
12	+	P022-004630	1	SCREW		
13		V376-000460	1	SPACER		
14	+	900515-00006	2	NUT, FLANGE 6		
15		A052-000140	1	PULLEY, ASM STARTER		
16	+	P022-005080	2	PAWL, STARTER		
17	+	177234-12220	2	SPRING, PAWL		
18		900239-05022	1	SCREW 5*22		
20		X502-000460	1	LABEL, ECHO		
21		900253-05020	3	SCREW 5*20		
22		X505-000620	1	LABEL, CAUTION		
23		900239-05016	2	SCREW 5*16		
30		A409-000180	1	ROTOR, MAGNETO		
31		900515-00006	1	NUT, FLANGE 6		
32		175048-05530	2	WASHER (I)		
33		V451-000040	1	SPRING, TENSION		
34		175009-55931	2	SHOE, CLUTCH		
35		175049-56030	2	WASHER		
36		175046-56030	2	SHAFT, CLUTCH		



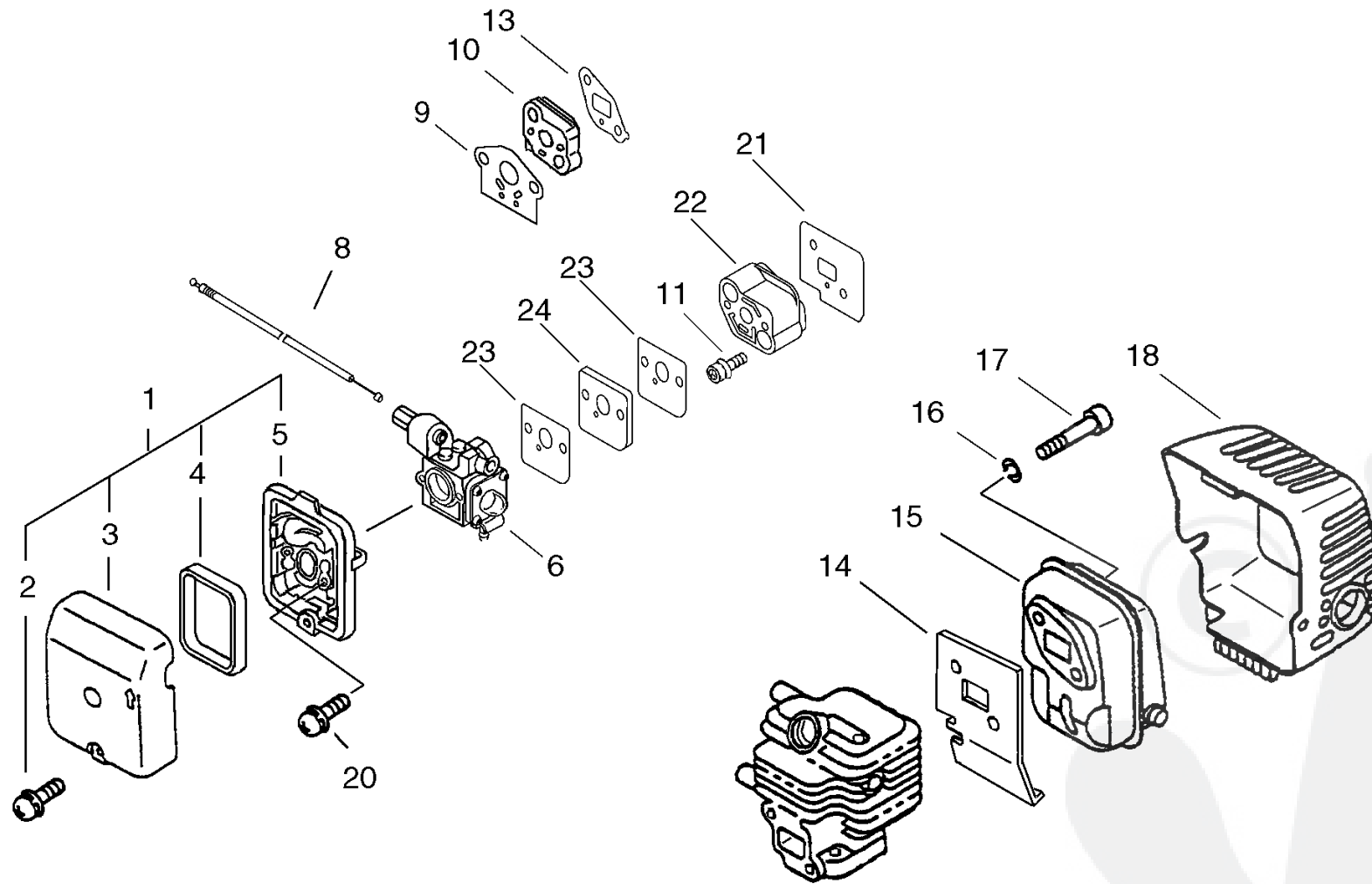




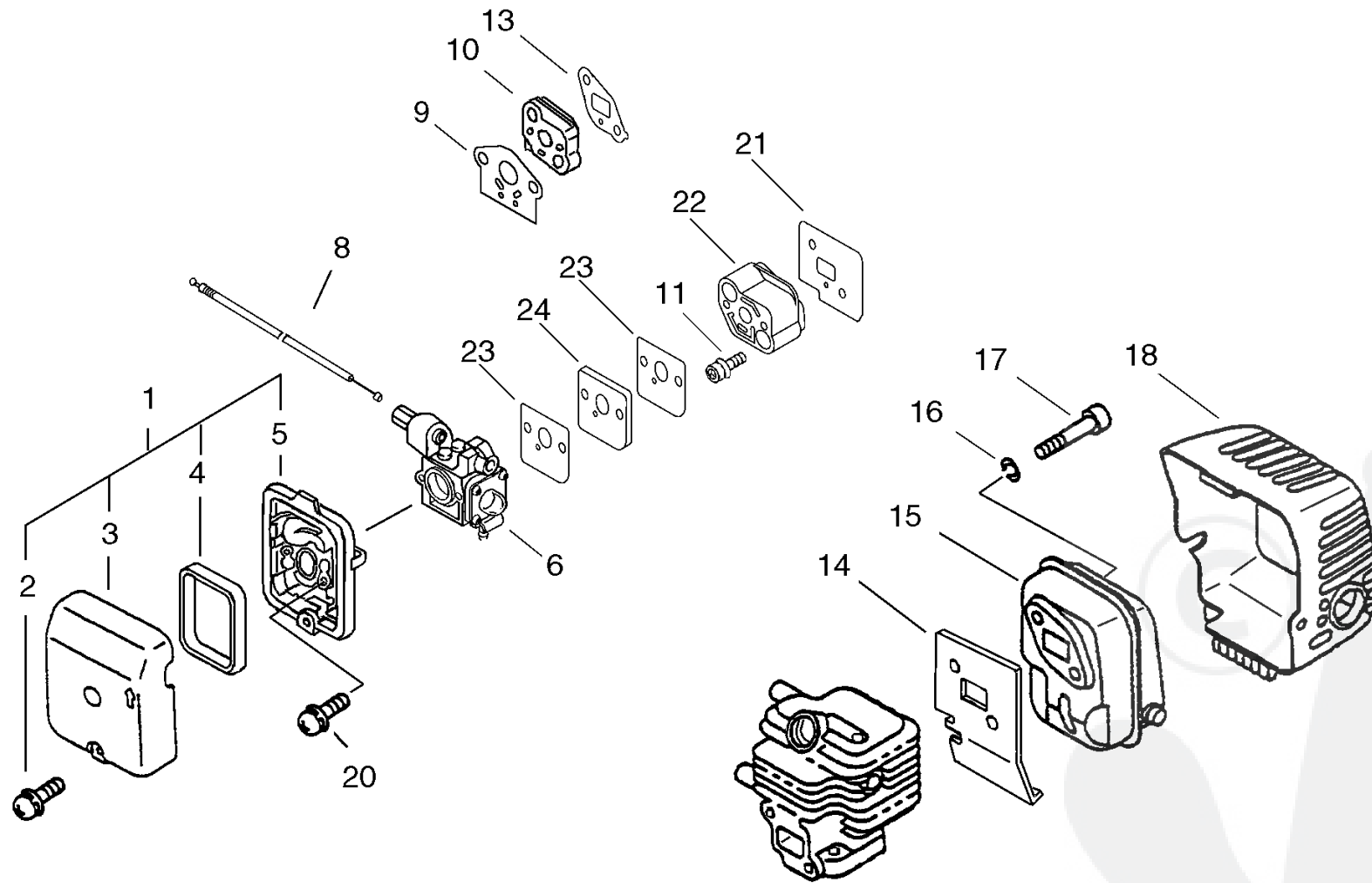
# Parts List

Group:Power Sprayers Model:SHR-150SI(35)(36) Section:Air Cleaner, Muffler(Sr/Nr 36003536 and before)( 7)

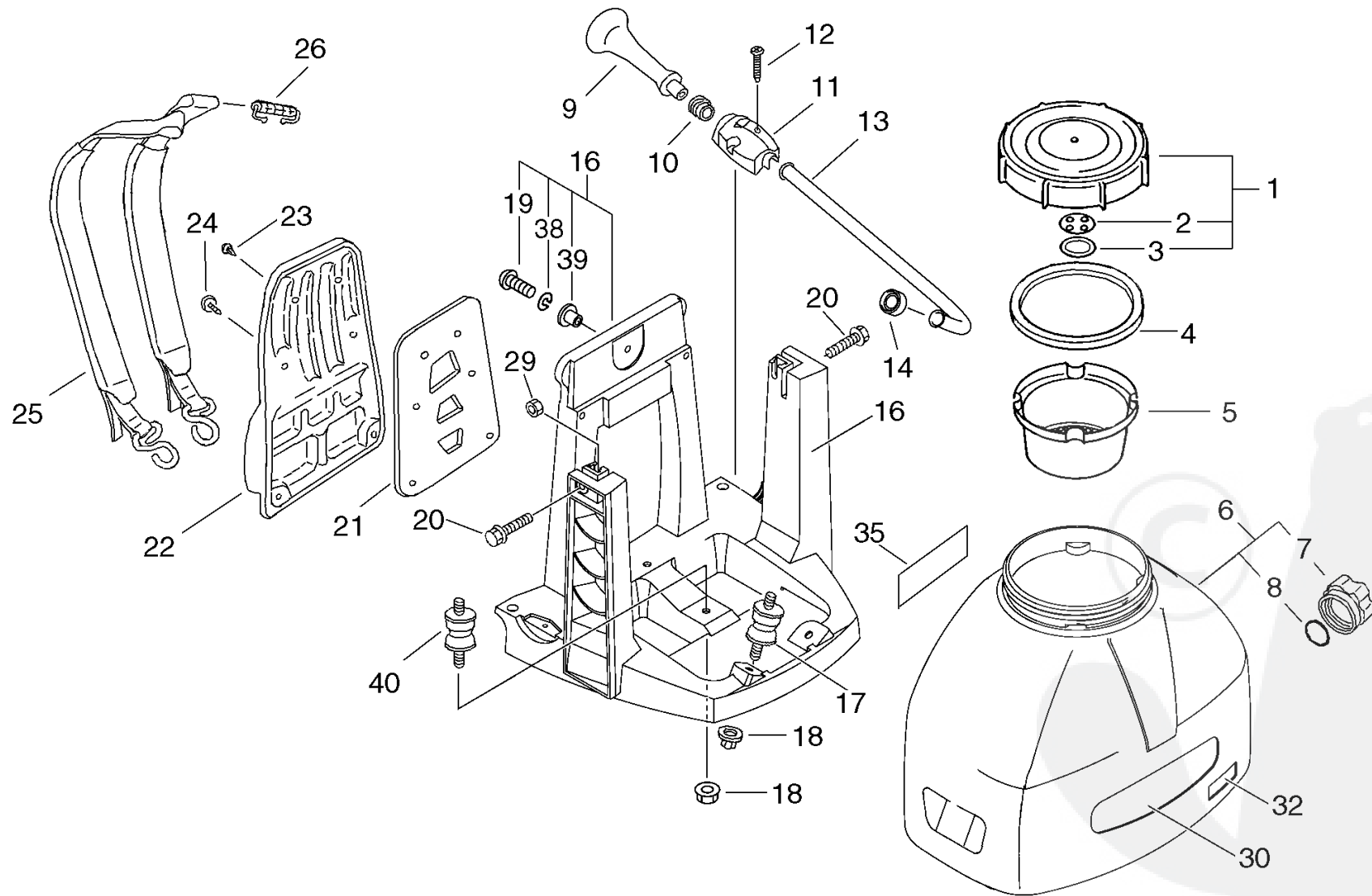
Key	Lv	Part Number	Q'ty	Description	Remarks	Note
1		A027-000020	1	CLEANER,ASM AIR		
2	+	900238-05016	1	SCREW 5*16		
3	+	130308-13410	1	COVER, AIR CLEANER		
4	+	130310-13410	1	FILTER, AIR		
5	+	P022-006540	1	ASY,CLEANER BASE		
6		A021-000660	1	CARBURETOR,RB-K69	Sus. by A021-000661	
6		A021-000661	1	CARBURETOR,RB-K69A		
8		V430-000890	1	CABLE,BOWDEN		
9		130010-13410	1	GASKET, INTAKE	Sr/Nr 35001852 and before	
10		130017-15313	1	INSULATOR, INTAKE	Sr/Nr 35001852 and before	
11		900106-05020	2	BOLT, H.S. 5*20		
13		130010-61830	1	GASKET, INTAKE	Sr/Nr 35001852 and before	
14		145510-61831	1	GASKET, MUFFLER	Sus. by 145510-61832	
14		145510-61832	1	GASKET, MUFFLER		
15		A300-000360	1	MUFFLER,EXHAUST	Sr/Nr 35001852 and before	
15		P021-008730	1	MUFFLER ASY	Sr/Nr 36001001 and after	
16		900600-00005	2	WASHER 5		
17		900105-05050	2	BOLT, H.S. 5*50		
18		145621-61831	1	COVER, MUFFLER	Sus. by 145621-61832	
20		900242-05050	2	SCREW 5*50	Sr/Nr 35001852 and before	
20		900242-05060	2	SCREW 5*60	Sr/Nr 36001001 and after	
21		V103-000190	1	GASKET,INTAKE	Sr/Nr 36001001 and after	
22		A200-000160	1	INSULATOR,INTAKE	Sr/Nr 36001001 and after	
23		V103-000230	2	GASKET,INTAKE	Sr/Nr 36001001 and after	
24		A200-000210	1	INSULATOR,INTAKE	Sr/Nr 36001001 and after	











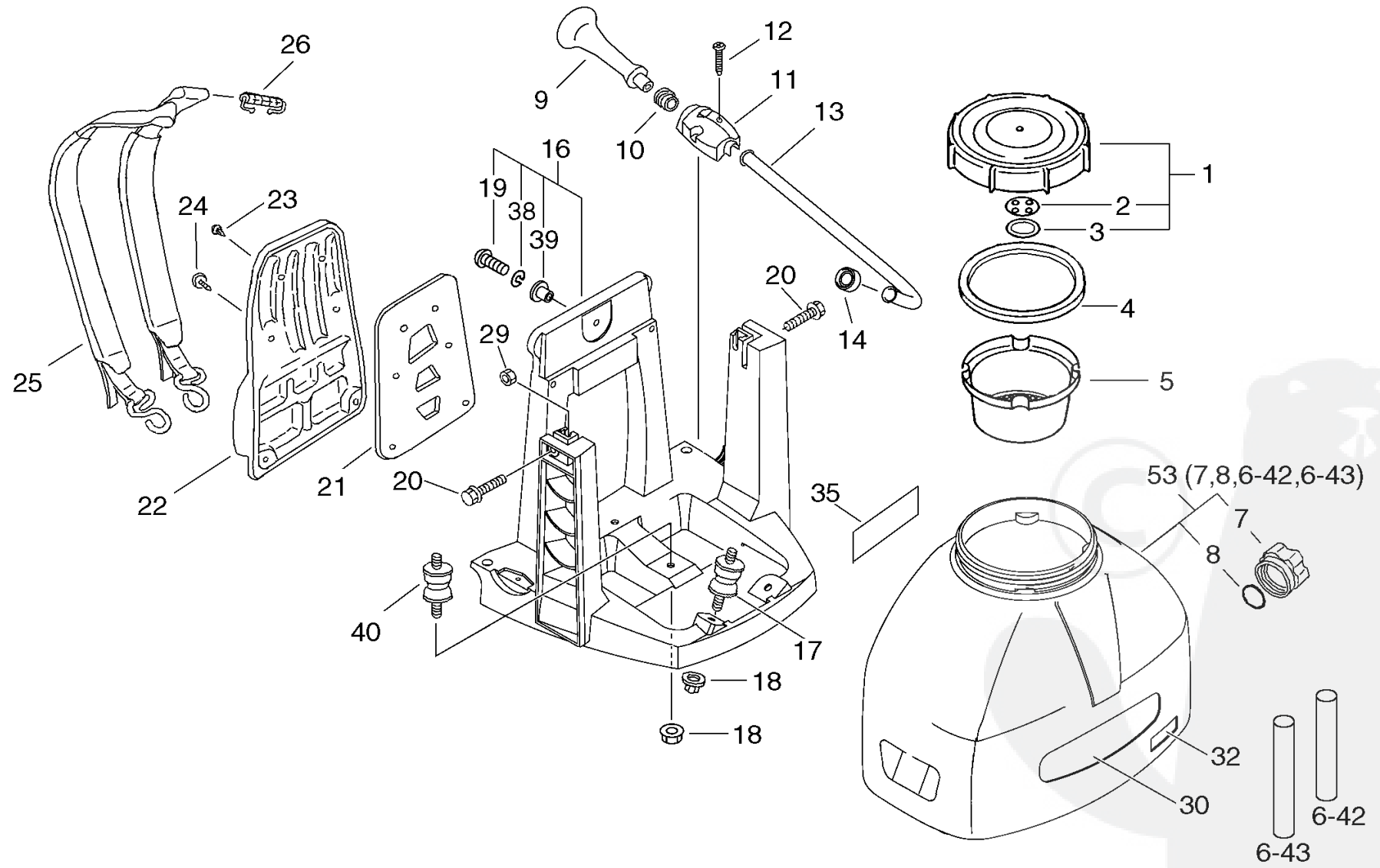
# P a r t s L i s t

Group:Power Sprayers Model:SHR-150SI(35)(36) Section:Chemical Tank, Harness(Sr/Nr 36003536 and before)( 10)

Key	Lv	Part Number	Q'ty	Description	Remarks	Note
1		250001-14010	1	CAP, CHEMICAL TANK		
2	+	250026-11310	1	VALVE, AIR		
3	+	250027-11310	1	PACKING		
4		250011-01110	1	GASKET, CHMCL. TANK		
5		E220-000010	1	FILTER, TANK		
6		P021-005660	1	TANK, CHEMICAL SET	Sus. by P021-005662	
6		P021-005661	1	TANK, CHEMICAL SET	Sus. by P021-005662	
6		P021-005662	1	TANK, CHEMICAL SET	Sr/Nr 36003536 and before Sus. by P021-014410	
7	+	250211-11410	1	NUT, HOSE		
8	+	900720-30028	1	O-RING P-28 (F)		
9		A511-000040	1	GRIP, STARTER	Sus. by A511-000050	
9		A511-000050	1	GRIP, STARTER		
10		A510-000040	1	GUIDE, ROPE	Sr/Nr 36003638 and before Disuse	
11		C405-000080	1	BRACKET, HANDLE	Sr/Nr 36003638 and before	
12		91428-05020	2	SCREW TAPPING	Sr/Nr 36003638 and before Qty 2->1	
13		A510-000050	1	GUIDE, ROPE	Sr/Nr 36003536 and before	
14		V420-000630	1	CUSHION		
16		C620-000160	1	FRAME, BACKPACK	Sus. by P021-010050	
16		P021-010050	1	FRAME, BACKPACK KIT	Sr/Nr 36003536 and before	
19	+	900220-06015	1	SCREW +-SR 6*15	Sr/Nr 36003536 and before Can be used on the P021-010050 only	
38	+	900605-00006	1	WASHER, SPRING 6	Sr/Nr 36003536 and before Can be used on the P021-010050 only	
39	+	V354-000150	1	COLLAR, 6	Sr/Nr 36003536 and before Can be used on the P021-010050 only	
17		104910-11410	3	CUSHION	Sus. by V402-000010	
17		V402-000010	3	CUSHION		
17		V402-000010	2	CUSHION	Q'ty:2	
18		250916-06210	3	NUT		
19		900103-06010	1	BOLT, FLANGE 6*10	Can be used on the C620-000160 only	
20		900103-06020	2	BOLT, FLANGE 6*20		





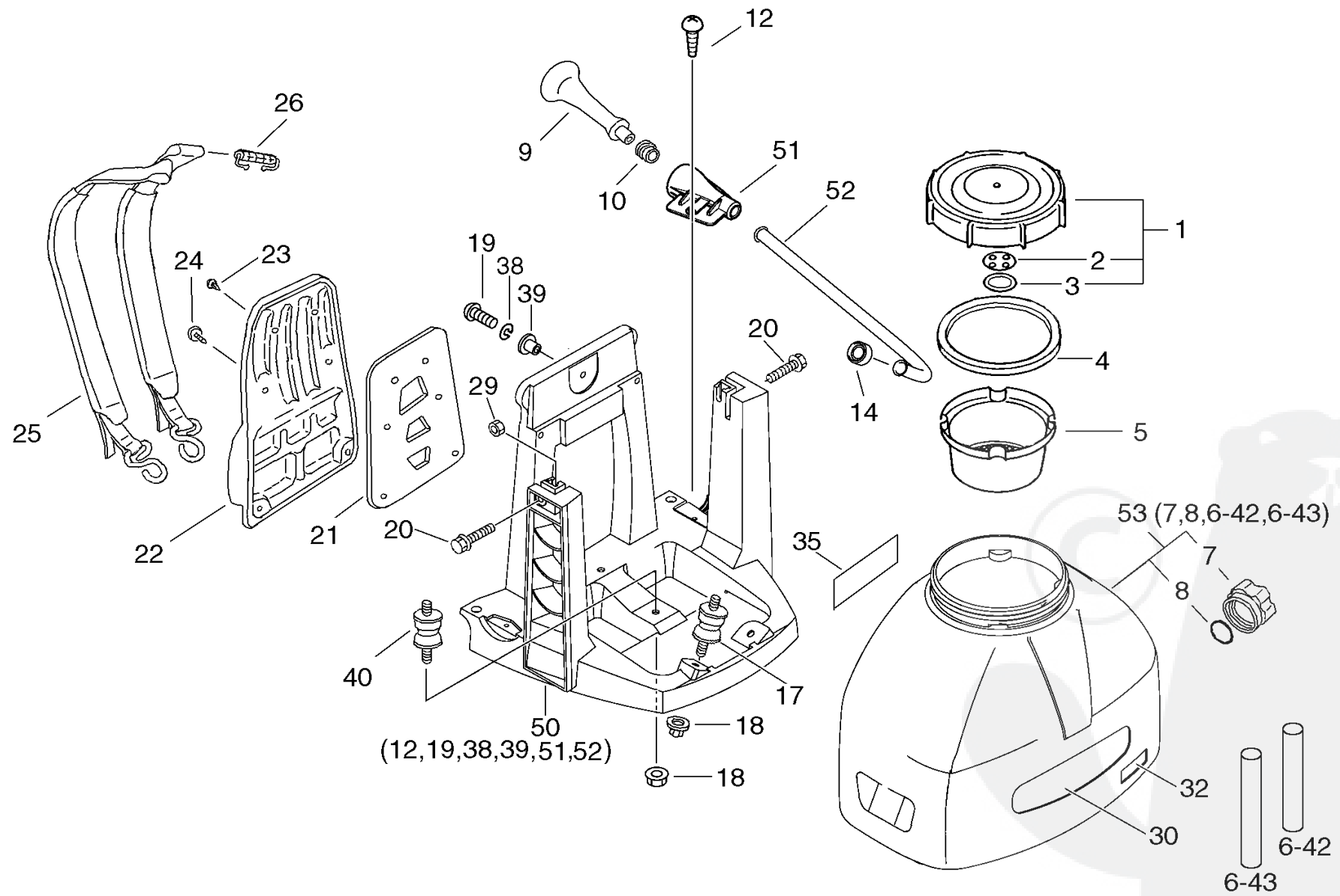


# P a r t s L i s t

Group:Power Sprayers Model:SHR-150SI(35)(36) Section:Chemical Tank, Harness(Sr/Nr 36003537 to 36003638) ( 11)

Key	Lv	Part Number	Q'ty	Description	Remarks	Note
1		250001-14010	1	CAP, CHEMICAL TANK		
2	+	250026-11310	1	VALVE, AIR		
3	+	250027-11310	1	PACKING		
4		250011-01110	1	GASKET, CHMCL. TANK		
5		E220-000010	1	FILTER, TANK		
53		P021-014410	1	TANK, CHEMICAL, ASY	Sr/Nr 36003537 and after	
7	+	250211-11410	1	NUT, HOSE		
8	+	900720-30028	1	O-RING P-28 (F)		
9		A511-000050	1	GRIP, STARTER		
10		A510-000040	1	GUIDE, ROPE		
11		C405-000080	1	BRACKET, HANDLE	Sr/Nr 36003638 and before	
12		91428-05020	2	SCREW TAPPING	Sr/Nr 36003638 and before Qty 2->1	
13		A510-000050	1	GUIDE, ROPE	Sr/Nr 36003638 and before	
14		V420-000630	1	CUSHION		
16		P021-010050	1	FRAME, BACKPACK KIT	Sr/Nr 36003536 and before	
19	+	900220-06015	1	SCREW +-SR 6*15	Sr/Nr 36003536 and before Can be used on the P021-010050 only	
38	+	900605-00006	1	WASHER, SPRING 6	Sr/Nr 36003536 and before Can be used on the P021-010050 only	
39	+	V354-000150	1	COLLAR, 6	Sr/Nr 36003536 and before Can be used on the P021-010050 only	
17		V402-000010	2	CUSHION, 6		
18		250916-06210	3	NUT		
20		900103-06020	2	BOLT, FLANGE 6*20		
21		C630-000030	1	SEAT, BACKPACK		
22		C630-000020	1	SEAT, BACKPACK		
23		300333-06160	2	CLIP		
24		V491-000090	4	CLIP		
25		C061-000090	2	HARNESS, ASM BACKPACK		
26		V491-000040	2	CLIP		
29		900518-00006	2	NUT, FLANGE		



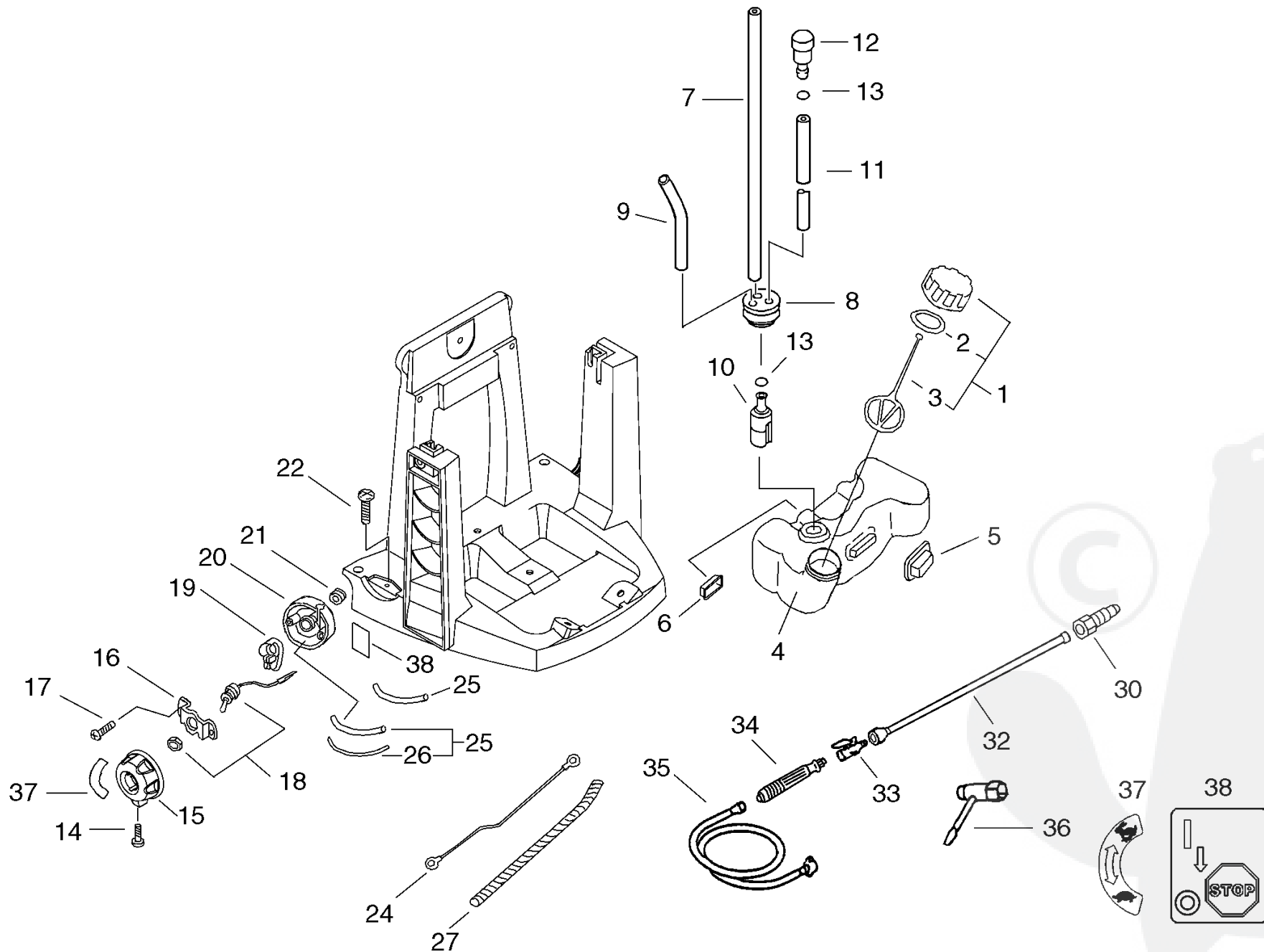


# Parts List

Group:Power Sprayers Model:SHR-150SI(35)(36) Section:Chemical Tank, Harness(Sr/Nr 36003639 and after)( 12)

Key	Lv	Part Number	Q'ty	Description	Remarks	Note
1		250001-14010	1	CAP, CHEMICAL TANK		
2	+	250026-11310	1	VALVE, AIR		
3	+	250027-11310	1	PACKING		
4		250011-01110	1	GASKET, CHMCL. TANK		
5		E220-000010	1	FILTER, TANK		
53		P021-014410	1	TANK, CHEMICAL, ASY	Sr/Nr 36003537 and after	
7	+	250211-11410	1	NUT, HOSE		
8	+	900720-30028	1	O-RING P-28 (F)		
9		A511-000050	1	GRIP, STARTER		
10		A510-000040	1	GUIDE, ROPE		
14		V420-000630	1	CUSHION		
50		P021-014850	1	FRAME, BACKPACK KIT	Sr/Nr 36003639 and after	
19	+	900220-06015	1	SCREW +-SR 6*15	Sr/Nr 36003639 and after	
38	+	900605-00006	1	WASHER, SPRING 6	Sr/Nr 36003639 and after	
39	+	V354-000150	1	COLLAR, 6	Sr/Nr 36003639 and after	
51	+	C405-000190	1	BRACKET, HANDLE	Sr/Nr 36003639 and after	
52	+	A510-000080	1	GUIDE, ROPE	Sr/Nr 36003639 and after	
12	+	91428-05020	1	SCREW TAPPING	Sr/Nr 36003639 and after	
17		V402-000010	2	CUSHION, 6		
18		250916-06210	3	NUT		
20		900103-06020	2	BOLT, FLANGE 6*20		
21		C630-000030	1	SEAT, BACKPACK		
22		C630-000020	1	SEAT, BACKPACK		
23		300333-06160	2	CLIP		
24		V491-000090	4	CLIP		
25		C061-000090	2	HARNESS, ASM BACKPACK		
26		V491-000040	2	CLIP		
29		900518-00006	2	NUT, FLANGE		





# Parts List

Group:Power Sprayers Model:SHR-150SI(35)(36) Section:Fuel Tank, Nozzle(Sr/Nr 36003536 and before)( 13)

Key	Lv	Part Number	Q'ty	Description	Remarks	Note
1		131004-55530	1	CAP ASSY, FUEL TANK		
2	+	131016-55830	1	GASKET, FUEL CAP		
3	+	131051-56030	1	CLIP, FUEL CAP		
4		A350-000250	1	TANK, FUEL		
5		131920-61830	1	CUSHION, FUEL TANK		
6		131920-55430	2	CUSHION, FUEL TANK		
7		132010-52030	1	PIPE		
8		132115-46730	1	GROMMET, FUEL		
9		132010-56330	1	PIPE 3*6*90		
10		131205-07320	1	STRAINER, FUEL		
11		V471-000110	1	PIPE		
12		131300-56430	1	VALVE, CHECK		
13		132013-26630	2	CLIP		
14		900253-04014	1	SCREW 4*14		
15		C473-000010	1	KNOB, THROTTLE		
16		A439-000100	1	BRACKET, SWITCH		
17		900252-04010	2	SCREW 4*10		
18		A440-000420	1	SWITCH, ON OFF		
19		C453-000080	1	LEVER, THROTTLE		
20		C471-000070	1	FIXTURE, TRIGGER		
21		150614-02910	1	GROMMET		
22		91428-05020	1	SCREW TAPPING		
24		V485-000400	1	LEAD		
25		V471-000930	1	PIPE	Sus. by P021-007120	
25		P021-007120	1	SPRING, FLAT SET		
26	+	V453-000050	1	SPRING, FLAT		
27		V475-002740	1	TUBE		
30		224103-10610	1	NOZZLE, ADJUSTABLE		





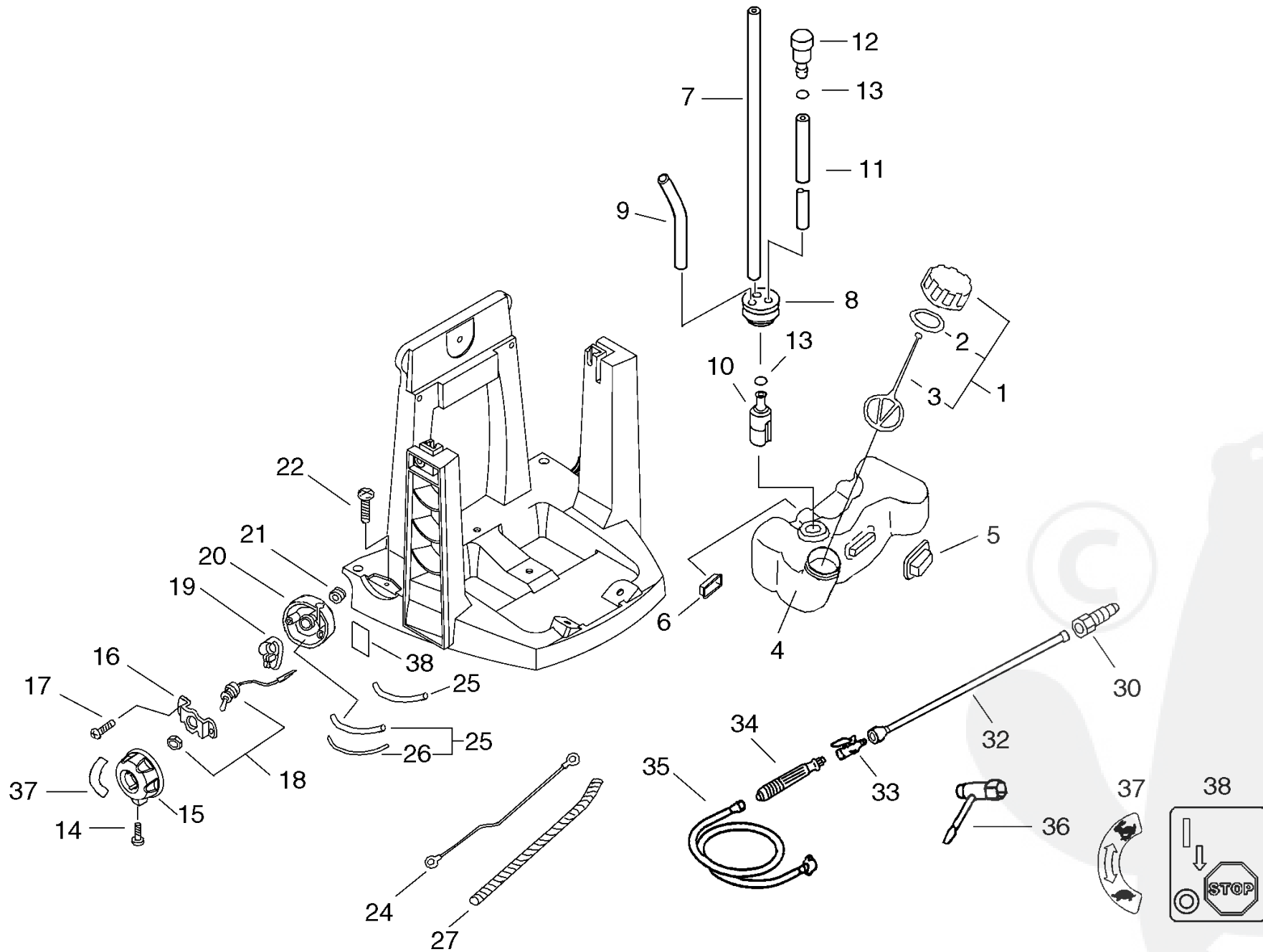


# Parts List

Group:Power Sprayers Model:SHR-150SI(35)(36) Section:Fuel Tank, Nozzle(Sr/Nr 36003537 to 36003638) ( 14)

Key	Lv	Part Number	Q'ty	Description	Remarks	Note
1		131004-55530	1	CAP ASSY, FUEL TANK		
2	+	131016-55830	1	GASKET, FUEL CAP		
3	+	131051-56030	1	CLIP, FUEL CAP		
4		A350-000250	1	TANK, FUEL		
5		131920-61830	1	CUSHION, FUEL TANK		
6		131920-55430	2	CUSHION, FUEL TANK		
7		132010-52030	1	PIPE		
8		132115-46730	1	GROMMET, FUEL		
9		132010-56330	1	PIPE 3*6*90		
10		131205-07320	1	STRAINER, FUEL		
11		V471-000110	1	PIPE		
12		131300-56430	1	VALVE, CHECK		
13		132013-26630	2	CLIP		
14		900253-04014	1	SCREW 4*14		
15		C473-000011	1	KNOB, THROTTLE		
16		A439-000100	1	BRACKET, SWITCH		
17		900252-04010	2	SCREW 4*10		
18		A440-000420	1	SWITCH, ON OFF		
19		C453-000080	1	LEVER, THROTTLE		
20		C471-000070	1	FIXTURE, TRIGGER		
21		150614-02910	1	GROMMET		
22		91428-05020	1	SCREW TAPPING		
24		V485-000400	1	LEAD		
25		P021-007120	1	SPRING, FLAT SET		
26	+	V453-000050	1	SPRING, FLAT		
27		V475-002740	1	TUBE		
30		224103-10610	1	NOZZLE, ADJUSTABLE		
32		E270-000030	1	PIPE, NOZZLE		



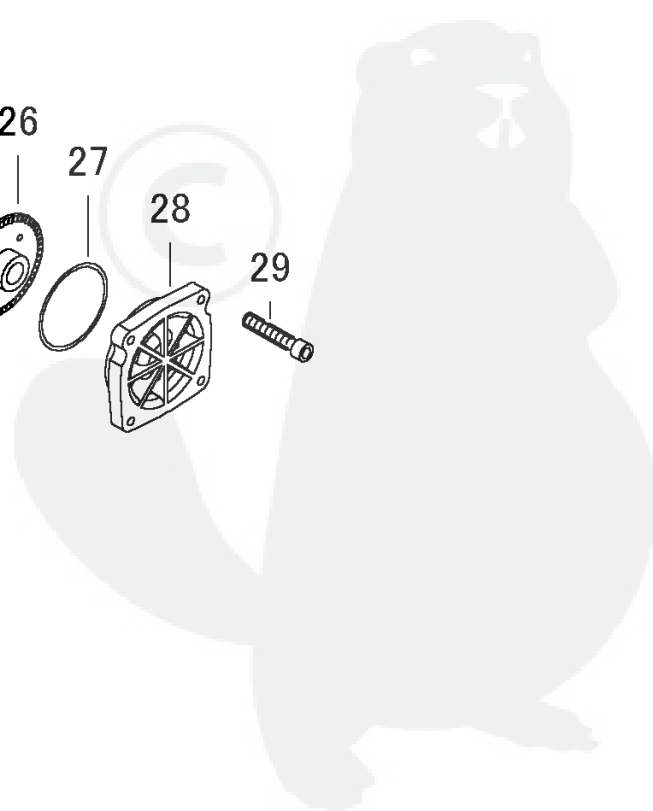
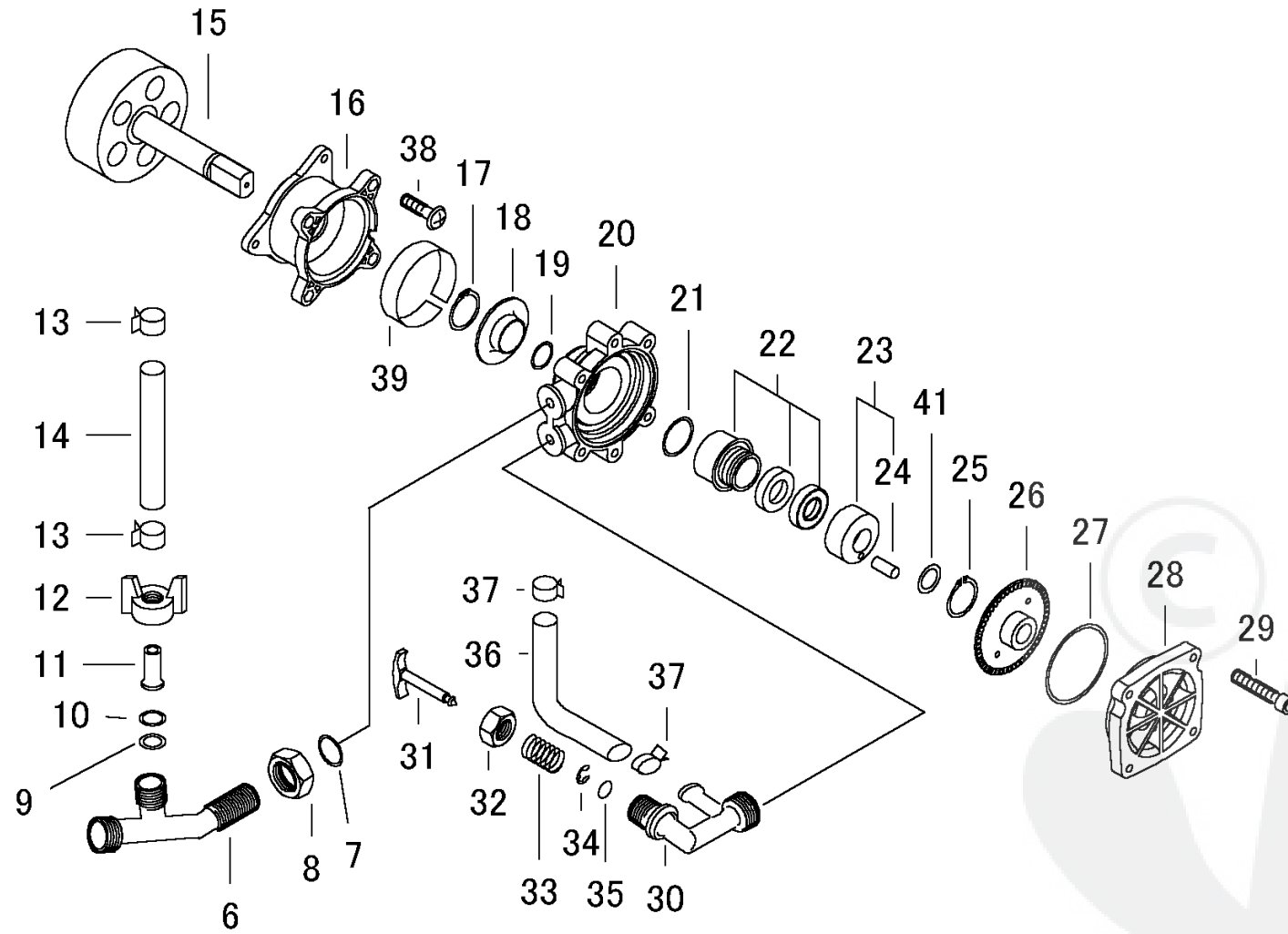


# Parts List

Group:Power Sprayers Model:SHR-150SI(35)(36) Section:Fuel Tank, Nozzle(Sr/Nr 36003639 and after) ( 15)

Key	Lv	Part Number	Q'ty	Description	Remarks	Note
1		131004-55530	1	CAP ASSY, FUEL TANK		
2	+	131016-55830	1	GASKET, FUEL CAP		
3	+	131051-56030	1	CLIP, FUEL CAP		
4		A350-000250	1	TANK, FUEL		
5		131920-61830	1	CUSHION, FUEL TANK		
6		131920-55430	2	CUSHION, FUEL TANK		
7		132010-52030	1	PIPE		
8		132115-46730	1	GROMMET, FUEL		
9		132010-56330	1	PIPE 3*6*90		
10		131205-07320	1	STRAINER, FUEL		
11		V471-000110	1	PIPE		
12		131300-56430	1	VALVE, CHECK		
13		132013-26630	2	CLIP		
14		900253-04014	1	SCREW 4*14		
15		C473-000011	1	KNOB, THROTTLE		
16		A439-000100	1	BRACKET, SWITCH		
17		900252-04010	2	SCREW 4*10		
18		A440-000420	1	SWITCH, ON OFF		
19		C453-000080	1	LEVER, THROTTLE		
20		C471-000070	1	FIXTURE, TRIGGER		
21		150614-02910	1	GROMMET		
22		91428-05020	1	SCREW TAPPING		
24		V485-000400	1	LEAD		
25		P021-007120	1	SPRING, FLAT SET		
26	+	V453-000050	1	SPRING, FLAT		
27		V475-002740	1	TUBE		
30		224103-10610	1	NOZZLE, ADJUSTABLE		
32		E270-000030	1	PIPE, NOZZLE		





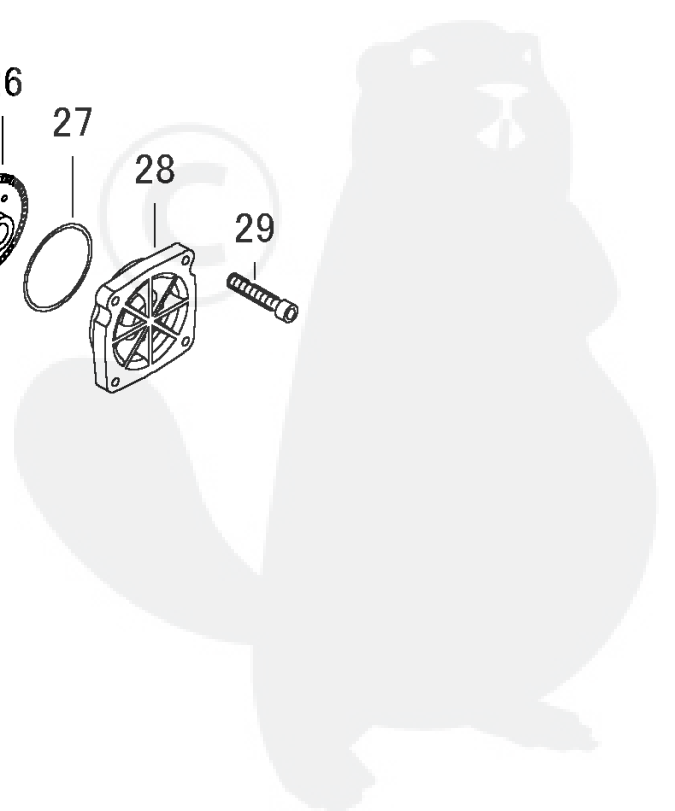
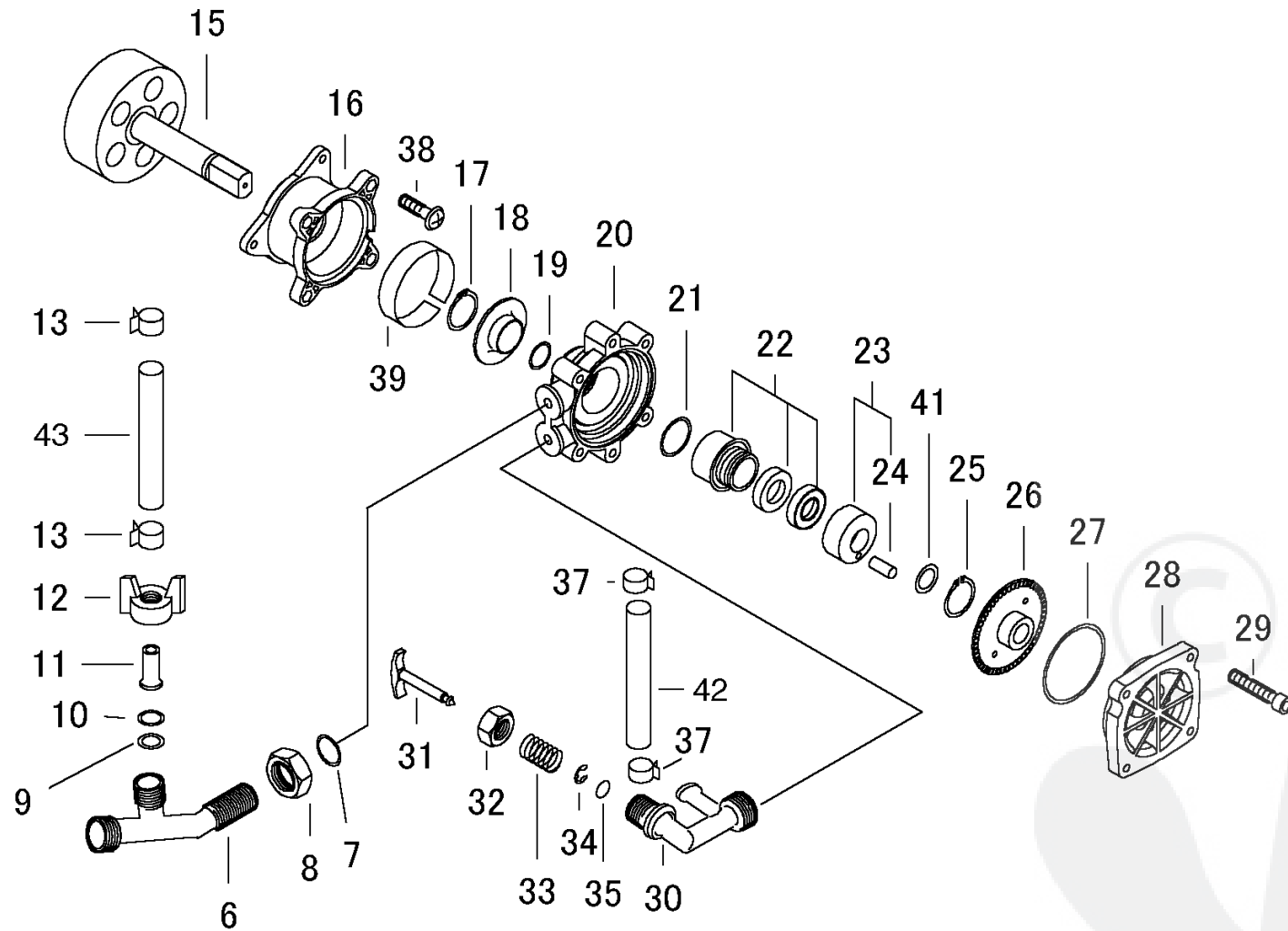


# Parts List

Group:Power Sprayers Model:SHR-150SI(35)(36) Section:Pump(Sr/Nr 36003536 and before) ( 16)

Key	Lv	Part Number	Q'ty	Description	Remarks	Note
6		384013-11610	1	NIPPLE, OUTLET PUMP		
7		900722-00100	1	O-RING P-10A		
8		384029-10510	1	NUT		
9		386018-10510	1	WASHER, CIRCULAR		
10		386019-10510	1	GASKET, BYPASS NOZZLE		
11		386013-14010	1	NIPPLE, HOSE		
12		386015-10510	1	NUT, WING	Sus. by 386015-10511	
13		132013-14010	2	BAND		
14		382011-15310	1	PIPE	Sr/Nr 36003536 and before	
15		A556-000240	1	DRUM, CLUTCH		
16		E202-000030	1	BASE, PUMP		
17		900701-00012	1	CIRCLIP 12		
18		405114-10510	1	PLATE		
19		900724-30010	1	O-RING		
20		E203-000010	1	CASE, PUMP	Sus. by E203-000012	
20		E203-000011	1	CASE, PUMP	Sus. by E203-000012	
20		E203-000012	1	CASE, PUMP		
21		900724-00029	1	O-RING (S-29)		
22		405100-11410	1	SEAL, UNIT		
23		E207-000000	1	COUPLING, SEAL UNIT	Sus. by P021-006750	
23		P021-006750	1	COUPLING, SEAL UNIT		
24	+	405113-10510	1	PIN	Can be used on the P021-006750 only	
25		900704-00012	1	CIRCLIP 12		
26		405110-10512	1	IMPELLER		
27		900724-30067	1	O-RING		
28		E205-000000	1	LID, PUMP	Sus. by E205-000001	
28		E205-000001	1	LID, PUMP		
29		900162-05040	4	BOLT, H.S. 5*40		



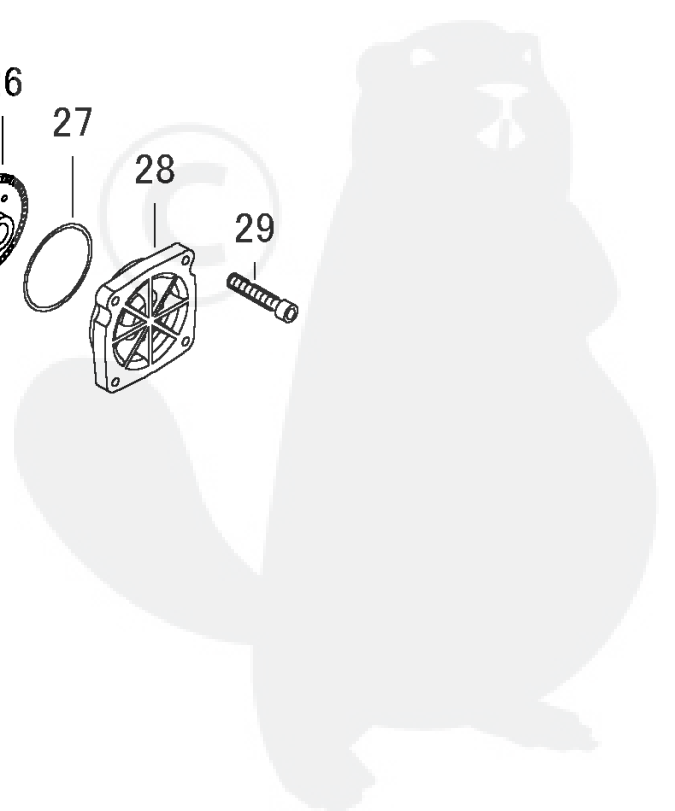
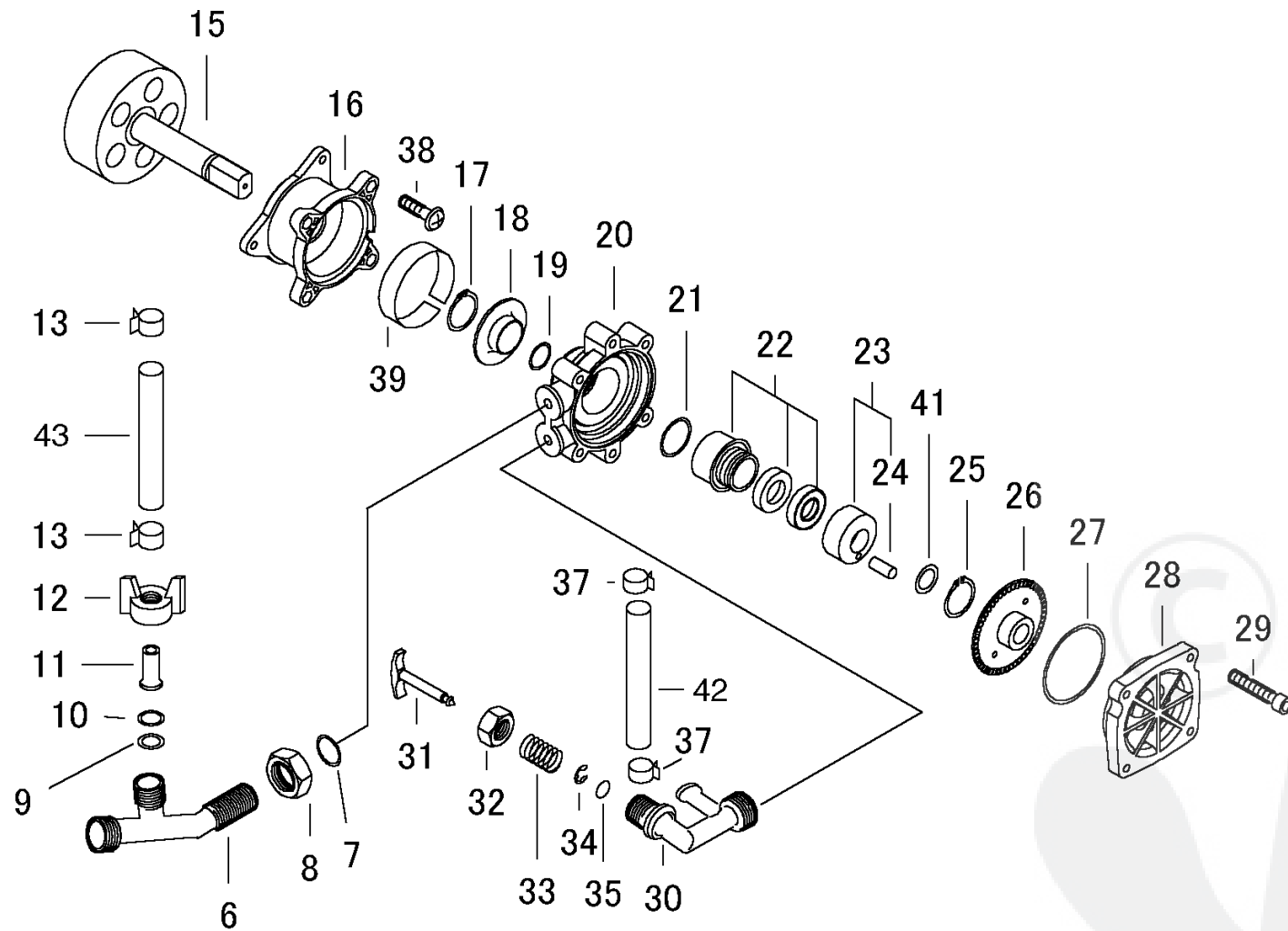


# Parts List

Group:Power Sprayers Model:SHR-150SI(35)(36) Section:Pump(Sr/Nr 36003537 to 36003638)( 17)

Key	Lv	Part Number	Q'ty	Description	Remarks	Note
6		384013-11610	1	NIPPLE, OUTLET PUNP		
7		900722-00100	1	O-RING P-10A		
8		384029-10510	1	NUT		
9		386018-10510	1	WASHER, CIRCULAR		
10		386019-10510	1	GASKET, BYPASS NOZZLE		
11		386013-14010	1	NIPPLE, HOSE		
12		386015-10511	1	NUT, WING		
13		132013-14010	2	BAND		
43		V471-002120	1	PIPE	Sr/Nr 36003537 and after	
15		A556-000240	1	DRUM, CLUTCH		
16		E202-000030	1	BASE, PUMP		
17		900701-00012	1	CIRCLIP 12		
18		405114-10510	1	PLATE		
19		900724-30010	1	O-RING		
20		E203-000012	1	CASE, PUMP		
21		900724-00029	1	O-RING (S-29)		
22		405100-11410	1	SEAL, UNIT		
23		P021-006750	1	COUPLING, SEAL UNIT		
24	+	405113-10510	1	PIN		
25		900704-00012	1	CIRCLIP 12		
26		405110-10512	1	IMPELLER		
27		900724-30067	1	O-RING		
28		E205-000001	1	LID, PUMP		
29		900162-05040	4	BOLT, H.S. 5*40		
30		E230-000081	1	NIPPLE, HOSE		
31		E412-000010	1	ROD, VALVE		
32		V270-000000	1	NUT, 16		
33		V450-000310	1	SPRING, COMPRESSION		





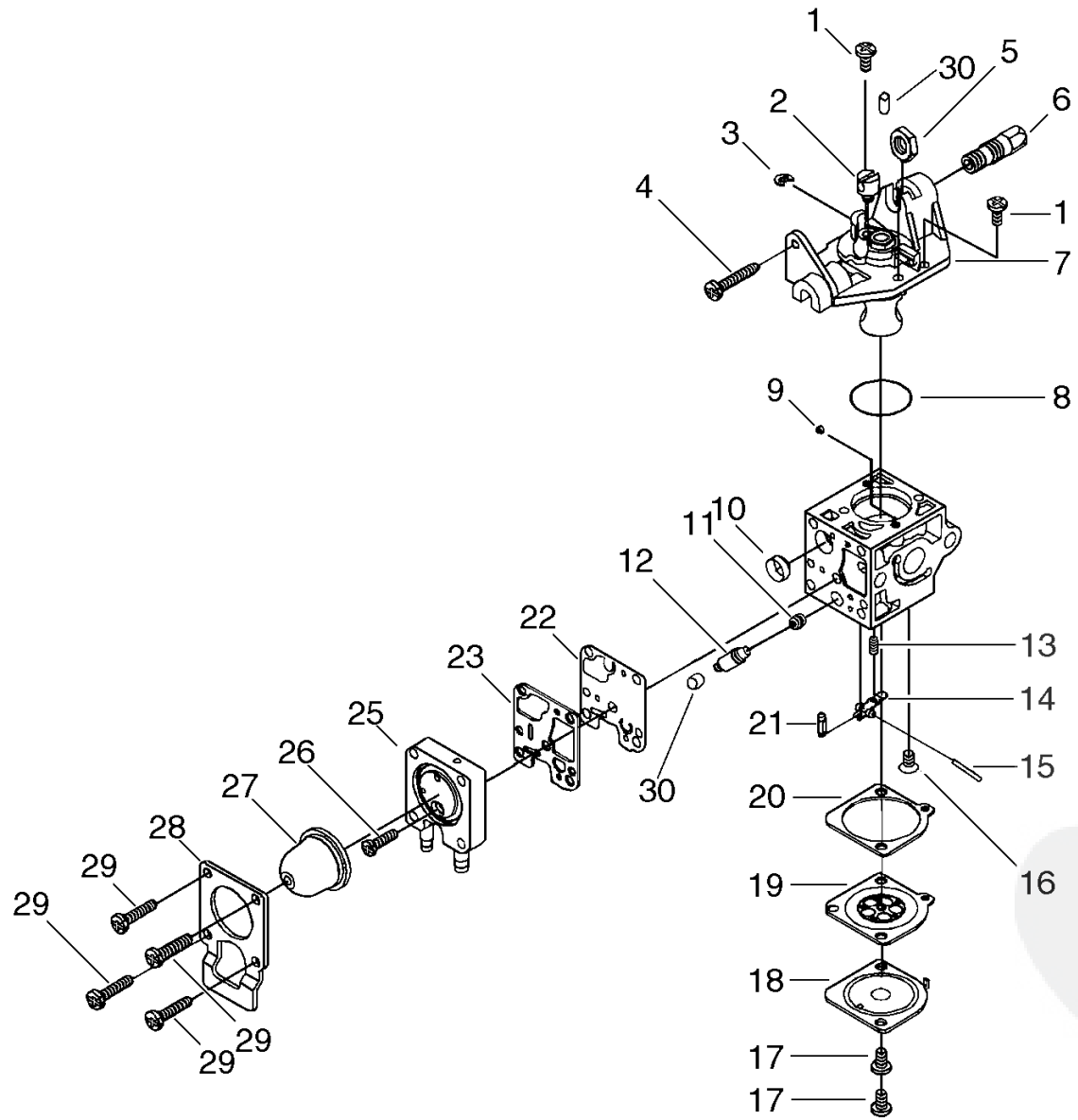
# Parts List

Group:Power Sprayers Model:SHR-150SI(35)(36) Section:Pump(Sr/Nr 36003639 and after)( 18)

Key	Lv	Part Number	Q'ty	Description	Remarks	Note
6		384013-11610	1	NIPPLE, OUTLET PUNP		
7		900722-00100	1	O-RING P-10A		
8		384029-10510	1	NUT		
9		386018-10510	1	WASHER, CIRCULAR		
10		386019-10510	1	GASKET, BYPASS NOZZLE		
11		386013-14010	1	NIPPLE, HOSE		
12		386015-10511	1	NUT, WING		
13		132013-14010	2	BAND		
43		V471-002120	1	PIPE	Sr/Nr 36003537 and after	
15		A556-000240	1	DRUM, CLUTCH		
16		E202-000030	1	BASE, PUMP		
17		900701-00012	1	CIRCLIP 12		
18		405114-10510	1	PLATE		
19		900724-30010	1	O-RING		
20		E203-000012	1	CASE, PUMP		
21		900724-00029	1	O-RING (S-29)		
22		405100-11410	1	SEAL, UNIT		
23		P021-006750	1	COUPLING, SEAL UNIT		
24	+	405113-10510	1	PIN		
25		900704-00012	1	CIRCLIP 12		
26		405110-10512	1	IMPELLER		
27		900724-30067	1	O-RING		
28		E205-000001	1	LID, PUMP		
29		900162-05040	4	BOLT, H.S. 5*40		
30		E230-000081	1	NIPPLE, HOSE		
31		E412-000010	1	ROD, VALVE		
32		V270-000000	1	NUT, 16		
33		V450-000310	1	SPRING, COMPRESSION		





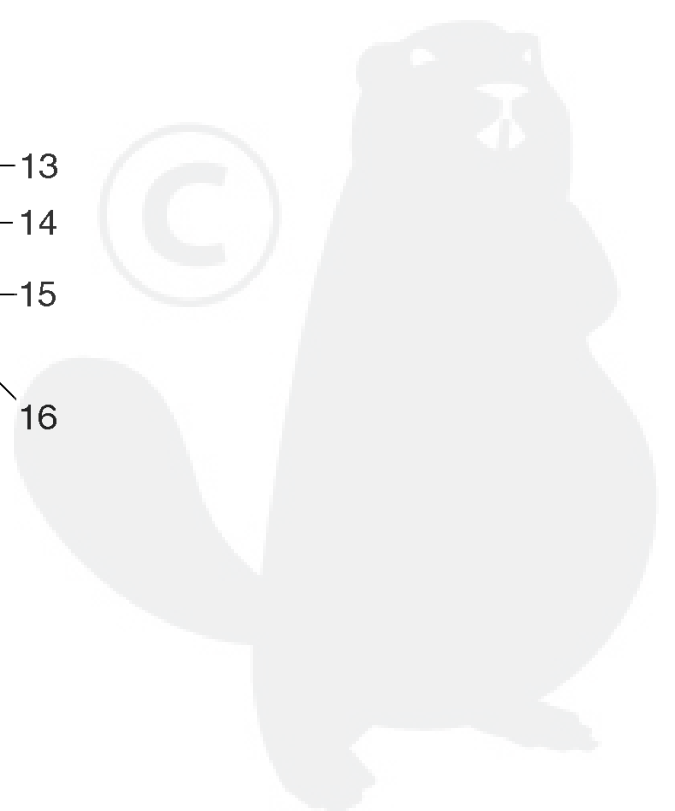
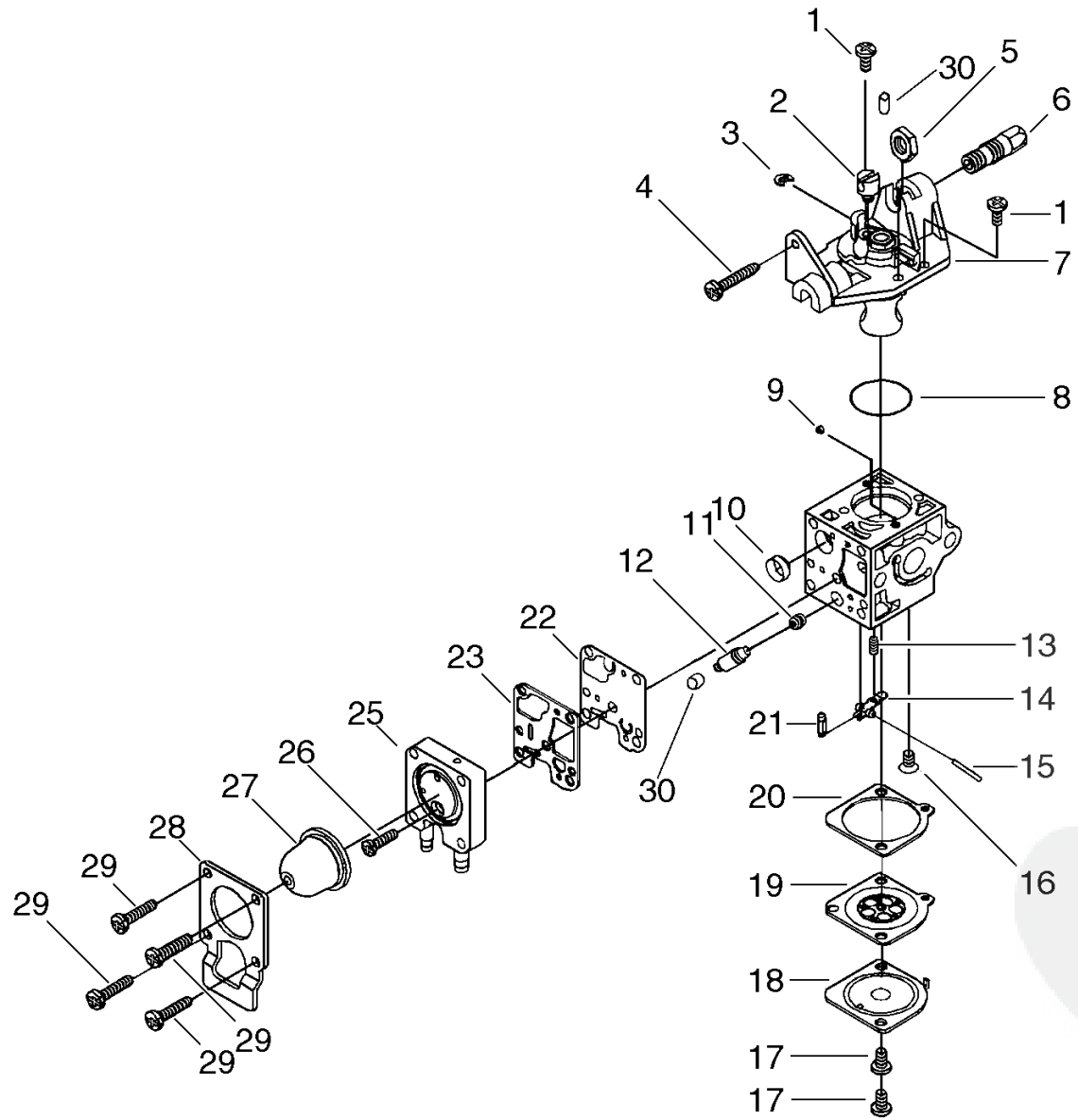


# Parts List

Group:Power Sprayers Model:SHR-150SI(35)(36) Section:Carburetor(Sr/Nr 36003536 and before)( 19)

Key	Lv	Part Number	Q'ty	Description	Remarks	Note
		A021-000660	1	CARBURETOR, RB-K69	Sus. by A021-000661	
		A021-000661	1	CARBURETOR, RB-K69A		
1	+	125344-13931	3	SCREW		
2	+	P005-000180	1	POST	Sus. by P005-001240	
2	+	P005-001240	1	POST		
3	+	P005-000190	1	E-RING		
4	+	P005-000100	1	TAS		
5	+	125392-62030	1	NUT	Can be used on RB-K69	
6	+	P005-000700	1	SCREW, WIRW ADJUST	Can be used on RB-K69	
6	+	P005-001330	1	SCREW, WIRW ADJUST	Can be used on RB-K69A	
7	+	P005-000690	1	COVER ASY, ROTOR	Can be used on RB-K69	
7	+	P005-001880	1	COVER ASY, ROTOR	Can be used on RB-K69A	
8	+	P005-000280	1	O-RING		
9	+	P005-000740	1	ROLLER, GUIDE	Can be used on RB-K69	
9	+	P005-001000	1	ROLLER, GUIDE	Can be used on RB-K69A	
10	+	P005-000010	1	STRAINER		
11	+	P005-000960	1	JET	Can be used on RB-K69	
11	+	P005-001260	1	SCREW, MAINN MIXTURE	Can be used on RB-K69A	
12	+	P005-000370	1	PLUG KIT	Can be used on RB-K69	
12	+	P005-001250	1	RETAINER, PLUG BALL	Can be used on RB-K69A	
13	+	125322-07260	1	SPRING, COIL	Can be used on RB-K69	
13	+	125322-12620	1	SPRING, COIL	Can be used on RB-K69A	
14	+	125323-08260	1	ARM, VALVE		
15	+	125338-13930	1	PIN, METERING ARM		
16	+	125339-42030	1	SCREW		
17	+	125344-52130	2	SCREW		
18	+	125342-52130	1	COVER, DIAPHRAGM		
19	+	125341-42030	1	DIAPHRAGM		



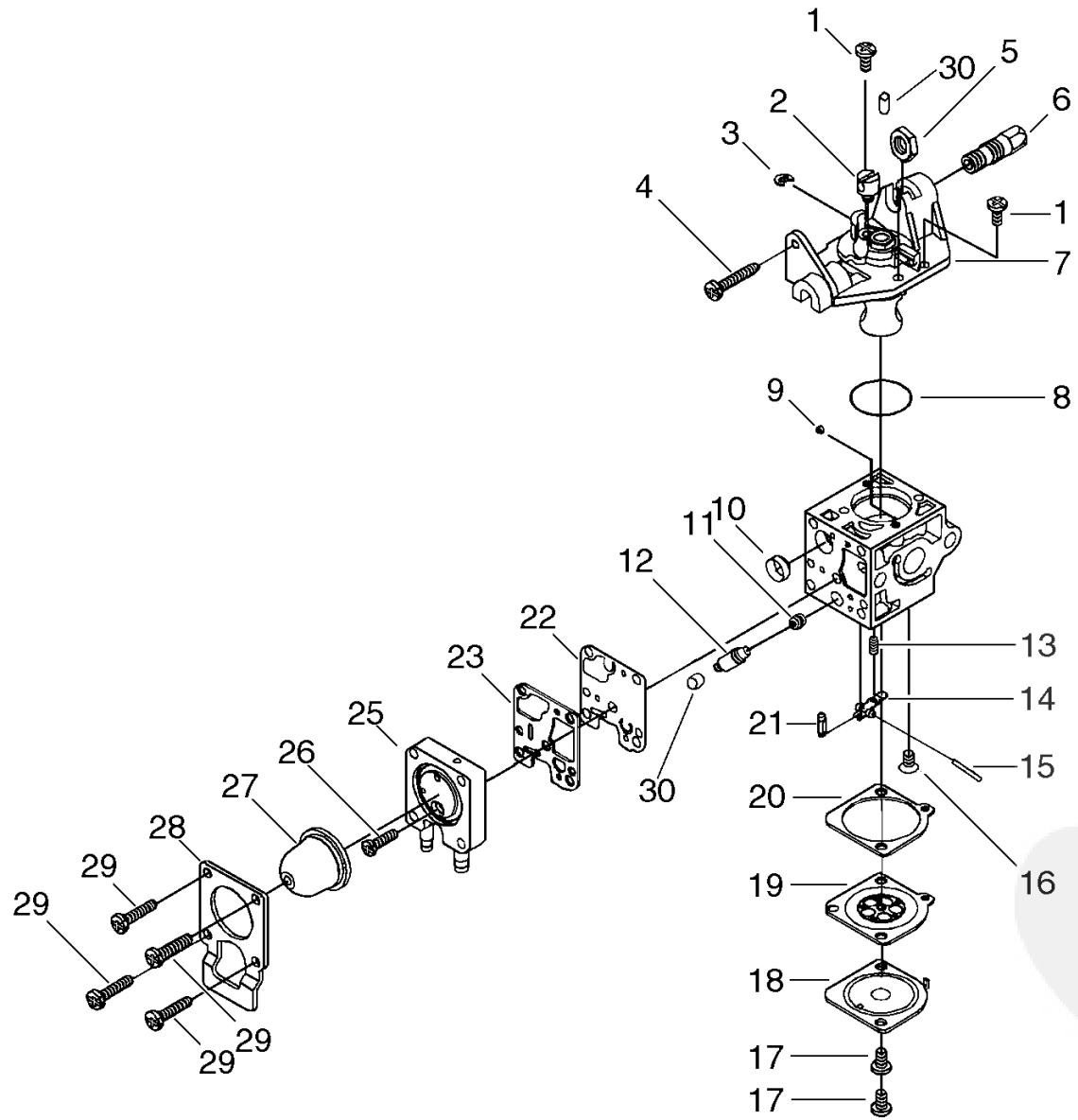


# Parts List

Group:Power Sprayers Model:SHR-150SI(35)(36) Section:Carburetor(Sr/Nr 36003537 to 36003638)(20)

Key	Lv	Part Number	Q'ty	Description	Remarks	Note
		A021-000661	1	CARBURETOR,DIAPHRAGM		
1	+	125344-13931	3	SCREW		
2	+	P005-001240	1	POST		
3	+	P005-000190	1	E-RING		
4	+	P005-000100	1	SCREW,THROTTLEADJUST		
6		P005-001330	1	SCREW, WIRE ADJUST		
7	+	P005-001880	1	COVER ASY, ROTOR		
8	+	P005-000280	1	O-RING		
9	+	P005-001000	1	ROLLER, GUIDE		
10	+	P005-000010	1	STRAINER		
11	+	P005-001260	1	SCREW,MAINN MIXTURE		
12	+	P005-001250	1	RETAINER,PLUG BALL		
13	+	125322-12620	1	SPRING, COIL		
14	+	125323-08260	1	ARM, VALVE		
15	+	125338-13930	1	PIN, METERING ARM		
16	+	125339-42030	1	SCREW		
17	+	125344-52130	2	SCREW		
18	+	125342-52130	1	COVER, DIAPHRAGM		
19	+	125341-42030	1	DIAPHRAGM		
20	+	P005-000200	1	GASKET, METERING		
21	+	125337-08260	1	VALVE, INLET NEEDLE		
22	+	P005-000510	1	DIAPHRAGM, PUMP		
23	+	P005-000520	1	GASKET, PUMP		
25	+	P005-001890	1	BASE, ASY PRIMER		
26	+	P005-000270	1	SCREW		
27	+	125381-46730	1	PUMP, PRIMING		
28	+	P005-000250	1	RETAINER		
29	+	P005-001900	4	SCREW		





# Parts List

Group:Power Sprayers Model:SHR-150SI(35)(36) Section:Carburetor(Sr/Nr 36003639 and after)( 21)

Key	Lv	Part Number	Q'ty	Description	Remarks	Note
		A021-000661	1	CARBURETOR,DIAPHRAGM		
1	+	125344-13931	3	SCREW		
2	+	P005-001240	1	POST		
3	+	P005-000190	1	E-RING		
4	+	P005-000100	1	SCREW,THROTTLEADJUST		
6		P005-001330	1	SCREW, WIRE ADJUST		
7	+	P005-001880	1	COVER ASY, ROTOR		
8	+	P005-000280	1	O-RING		
9	+	P005-001000	1	ROLLER, GUIDE		
10	+	P005-000010	1	STRAINER		
11	+	P005-001260	1	SCREW,MAINN MIXTURE		
12	+	P005-001250	1	RETAINER,PLUG BALL		
13	+	125322-12620	1	SPRING, COIL		
14	+	125323-08260	1	ARM, VALVE		
15	+	125338-13930	1	PIN, METERING ARM		
16	+	125339-42030	1	SCREW		
17	+	125344-52130	2	SCREW		
18	+	125342-52130	1	COVER, DIAPHRAGM		
19	+	125341-42030	1	DIAPHRAGM		
20	+	P005-000200	1	GASKET, METERING		
21	+	125337-08260	1	VALVE, INLET NEEDLE		
22	+	P005-000510	1	DIAPHRAGM, PUMP		
23	+	P005-000520	1	GASKET, PUMP		
25	+	P005-001890	1	BASE, ASY PRIMER		
26	+	P005-000270	1	SCREW		
27	+	125381-46730	1	PUMP, PRIMING		
28	+	P005-000250	1	RETAINER		
29	+	P005-001900	4	SCREW		





# P a r t s L i s t

Group:Power Sprayers Model:SHR-150SI(35)(36) Section:Repair Kit(Sr/Nr 36003536 and before)( 22)

Key	Lv	Part Number	Q'ty	Description	Remarks	Note
		P005-000550	1	DIAPHRAGM/GASKET KIT		
7-19	+	125341-42030	1	DIAPHRAGM		
7-20	+	P005-000200	1	GASKET, METERING		
7-22	+	P005-000510	1	DIAPHRAGM, PUMP		
7-23	+	P005-000520	1	GASKET, PUMP		
		P005-000560	1	REBUILD KIT	Can be used on RB-K69	
7-10	+	P005-000010	1	STRAINER		
7-13	+	125322-07260	1	SPRING, COIL		
7-14	+	125323-08260	1	ARM, VALVE		
7-15	+	125338-13930	1	PIN, METERING ARM		
7-19	+	125341-42030	1	DIAPHRAGM		
7-20	+	P005-000200	1	GASKET, METERING		
7-21	+	125337-08260	1	VALVE, INLET NEEDLE		
7-22	+	P005-000510	1	DIAPHRAGM, PUMP		
7-23	+	P005-000520	1	GASKET, PUMP		
		P005-001910	1	REBUILD KIT	Can be used on RB-K69A	
7- 9	+	P005-001000	1	ROLLER, GUIDE		
7-10	+	P005-000010	1	STRAINER		
7-13	+	125322-12620	1	SPRING, COIL		
7-14	+	125323-08260	1	ARM, VALVE		
7-15	+	125338-13930	1	PIN, METERING ARM		
7-19	+	125341-42030	1	DIAPHRAGM		
7-20	+	P005-000200	1	GASKET, METERING		
7-21	+	125337-08260	1	VALVE, INLET NEEDLE		
7-22	+	P005-000510	1	DIAPHRAGM, PUMP		
7-23	+	P005-000520	1	GASKET, PUMP		

