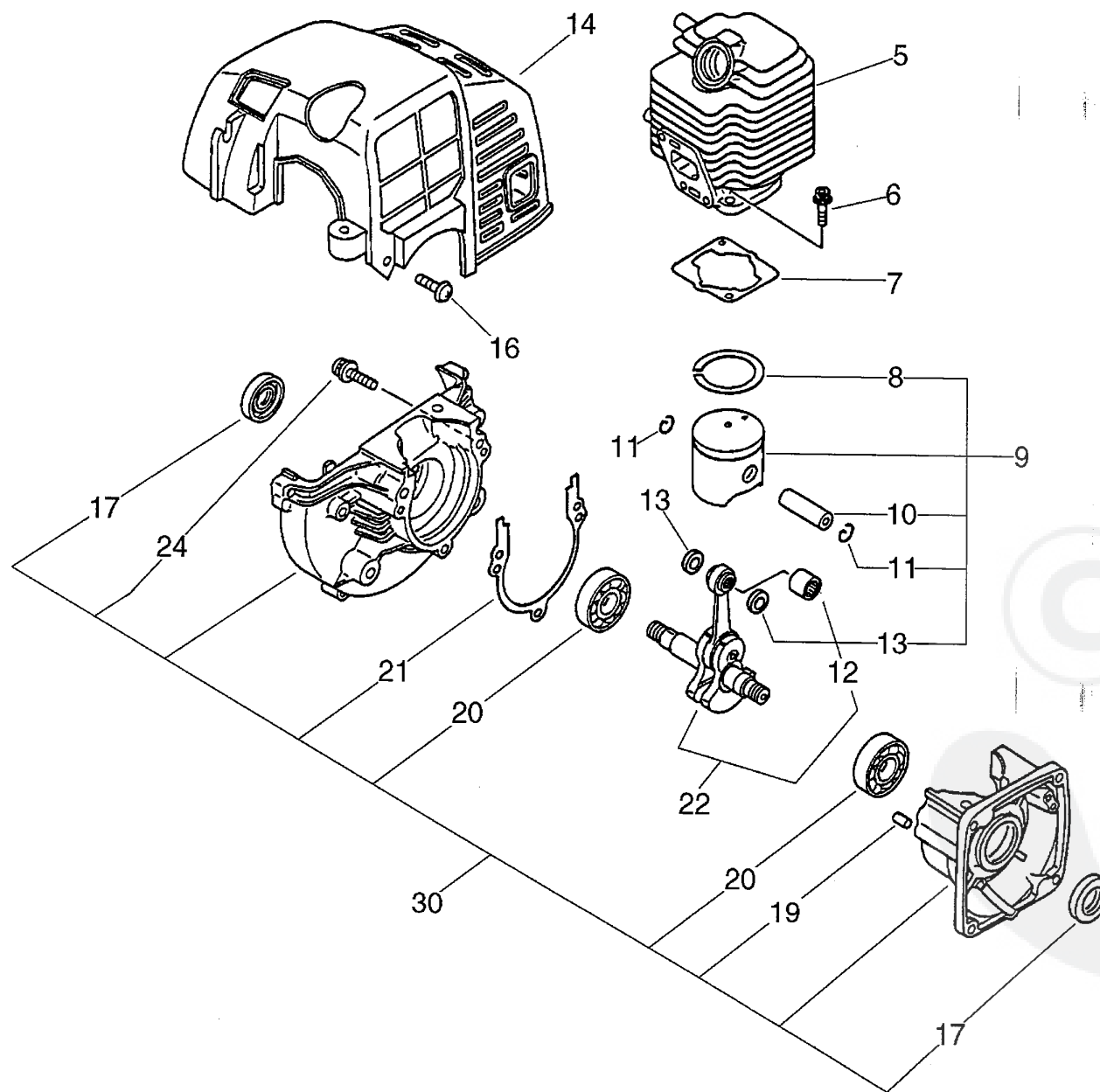


No.1

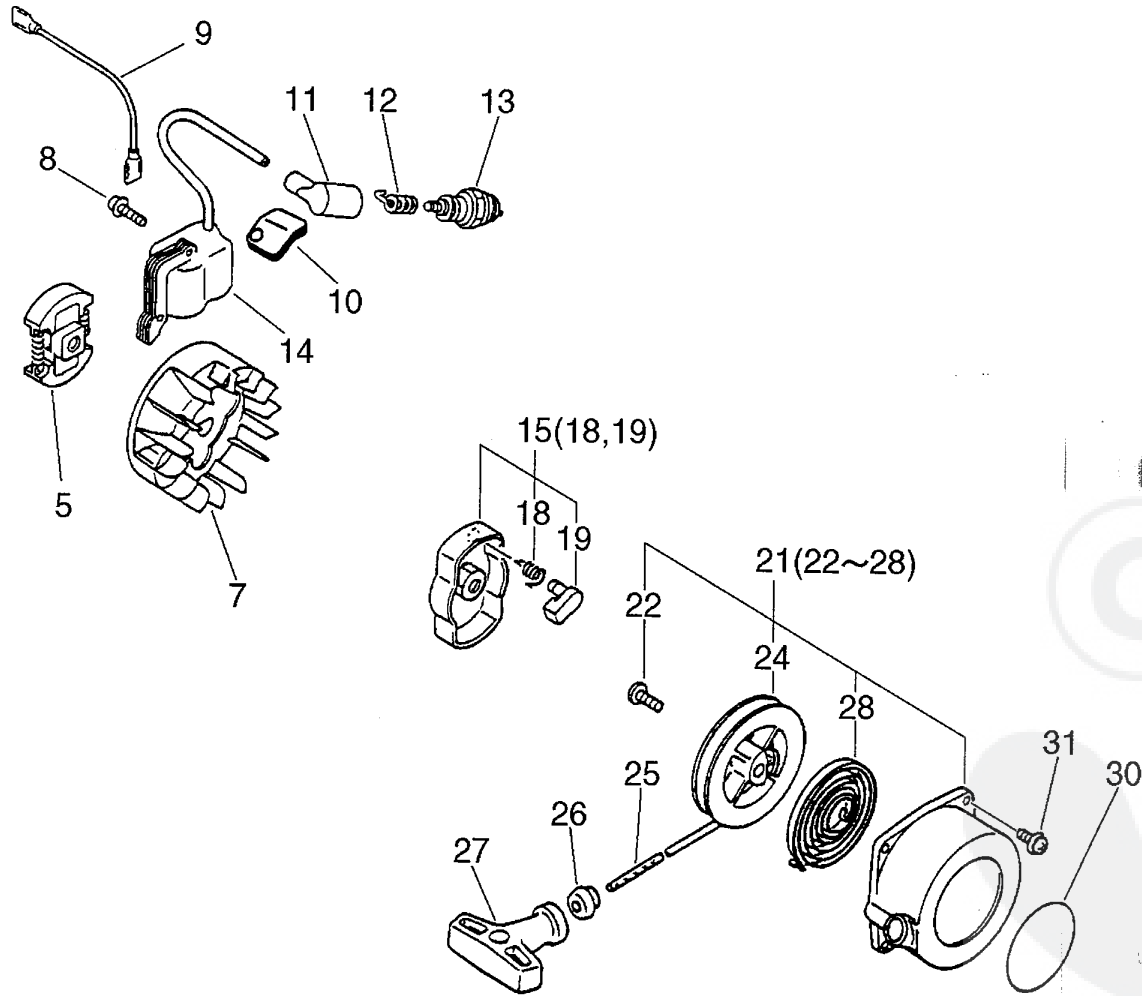


Parts List

Group:Power Sprayers Model:SHR-4100 Section:Cylinder, Crankcase, Piston(1)

Key	Lv	Part Number	Q'ty	Description	Remarks	Note
5		101011-47630	1	CYLINDER	Sus. by 101011-48730	
5		101011-48730	1	CYLINDER		
6		900162-05022	2	BOLT, H.S. 5*22		
7		101010-44331	1	GASKET, CYL. BASE	Sus. by 101010-44332	
7		101010-44332	1	GASKET, CYL. BASE		
9		100000-44330	1	PISTON KIT	Sus. by 100000-44331	
9		100000-44331	1	PISTON KIT		
8	+	100011-05330	1	RING, PISTON		
10	+	100013-11520	1	PIN, PISTON		
11	+	100015-04630	2	CIRCLIP, PISTON PIN		
13	+	100014-11520	2	SPACER, PISTON PIN		
14		101514-42030	1	COVER, CYLINDER	Sus. by 101514-42031	
14		101514-42031	1	COVER, CYLINDER		
16		900242-04016	2	SCREW 4*16		
22		100100-52131	1	CRANKSHAFT ASSY	Sus. by A011-000002	
22		100100-52132	1	CRANKSHAFT	Sus. by A011-000002	
22		A011-000002	1	CRANKSHAFT, ASM		
12	+	100012-51230	1	BEARING, NEEDLE	Sus. by V553-000010	
12	+	V553-000030	1	BEARING, NEEDLE 8	Sus. by V553-000010	
12	+	V553-000010	1	BEARING, NEEDLE 8		
30		100204-51030	1	CRANKCASE KIT	Sus. by 100204-51031	
30		100204-51031	1	CRANKCASE KIT		
17	+	100212-42030	2	OILSEAL	Sus. by 100212-42031	
17	+	100212-42031	2	OILSEAL		
19	+	100215-03930	2	PIN, DOWEL		
20	+	900810-36201	2	BEARING, BALL 6201	Sus. by 94035-36201	
20	+	94035-36201	2	BEARING, BALL		
21	+	100242-42030	1	GASKET, CRANKCASE		

No.2

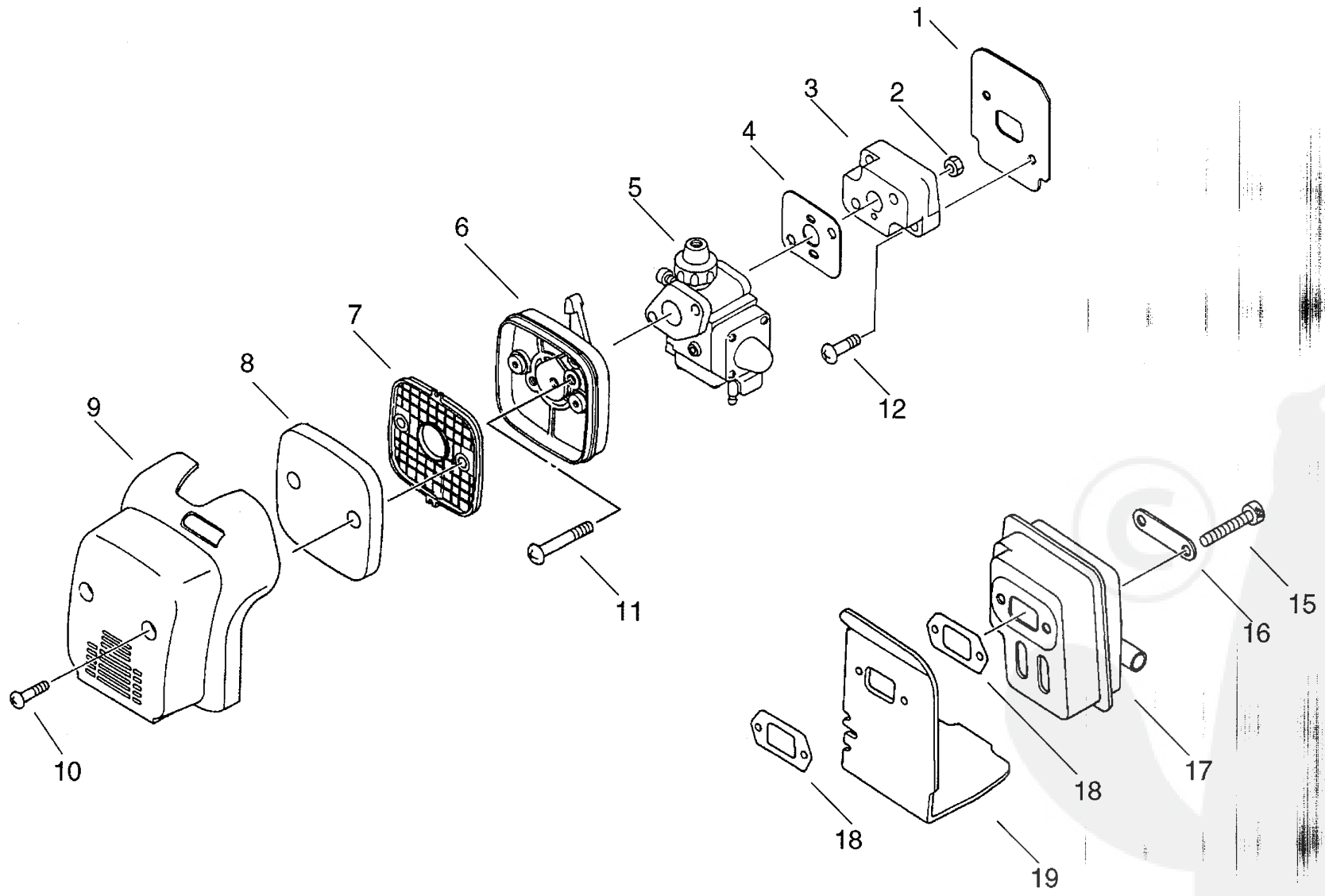


Parts List

Group: Power Sprayers Model: SHR-4100 Section: Starter, Magneto (2)

Key	Lv	Part Number	Q'ty	Description	Remarks	Note
5		175000-11611	1	CLUTCH ASSY	Sus. by 175000-11612	
5		175000-11612	1	CLUTCH ASY		
7		156801-44730	1	FLYWHEEL	Sus. by 156801-44731	
7		156801-44731	1	FLYWHEEL		
8		900242-04022	2	SCREW 4*22		
9		162010-13310	1	LEAD, GROUND		
10		150112-42030	1	BUSHING		
11		159012-03433	1	CAP, SPARK PLUG		
12		159011-03432	1	COIL, SPARK PLUG CAP		
13		159010-12530	1	PLUG, SPARK (BPMR-6A		
14		156601-11910	1	C.D.IGNITION MODULE	Sus. by set of 156601-52130 and 162010-13310	
14		156601-11911	1	COIL, IGNITION	Sus. by set of 156601-52130 and 162010-13310	
14		156601-52130	1	COIL, IGNITION		
15		177202-44330	1	PAWL ASSY, STARTER	Sus. by 177202-44331	
15		177202-44331	1	PAWL ASM., STARTER		
18	+	177234-42030	1	SPRING, RETURN	Sus. by 177234-12220	
18	+	177234-12220	1	SPRING, PAWL		
19	+	177218-44330	1	PAWL, STARTER		
21		177200-42032	1	STARTER ASSY	Sus. by 177200-42033	
21		177200-42033	1	STARTER ASSY		
22	+	177236-44330	1	SCREW		
24	+	177215-42030	1	DRUM, STARTER	Sus. by 177215-44430	
24	+	177215-44430	1	DRUM, STARTER		
25	+	177226-10120	1	ROPE, STARTER		
26	+	177227-42030	1	GUIDE, ROPE		
27	+	177228-06530	1	GRIP, STARTER		
28	+	177220-42030	1	SPRING, REWIND		
30		890118-44330	1	LABEL, ECHO	Sus. by 890118-49130	

No.3

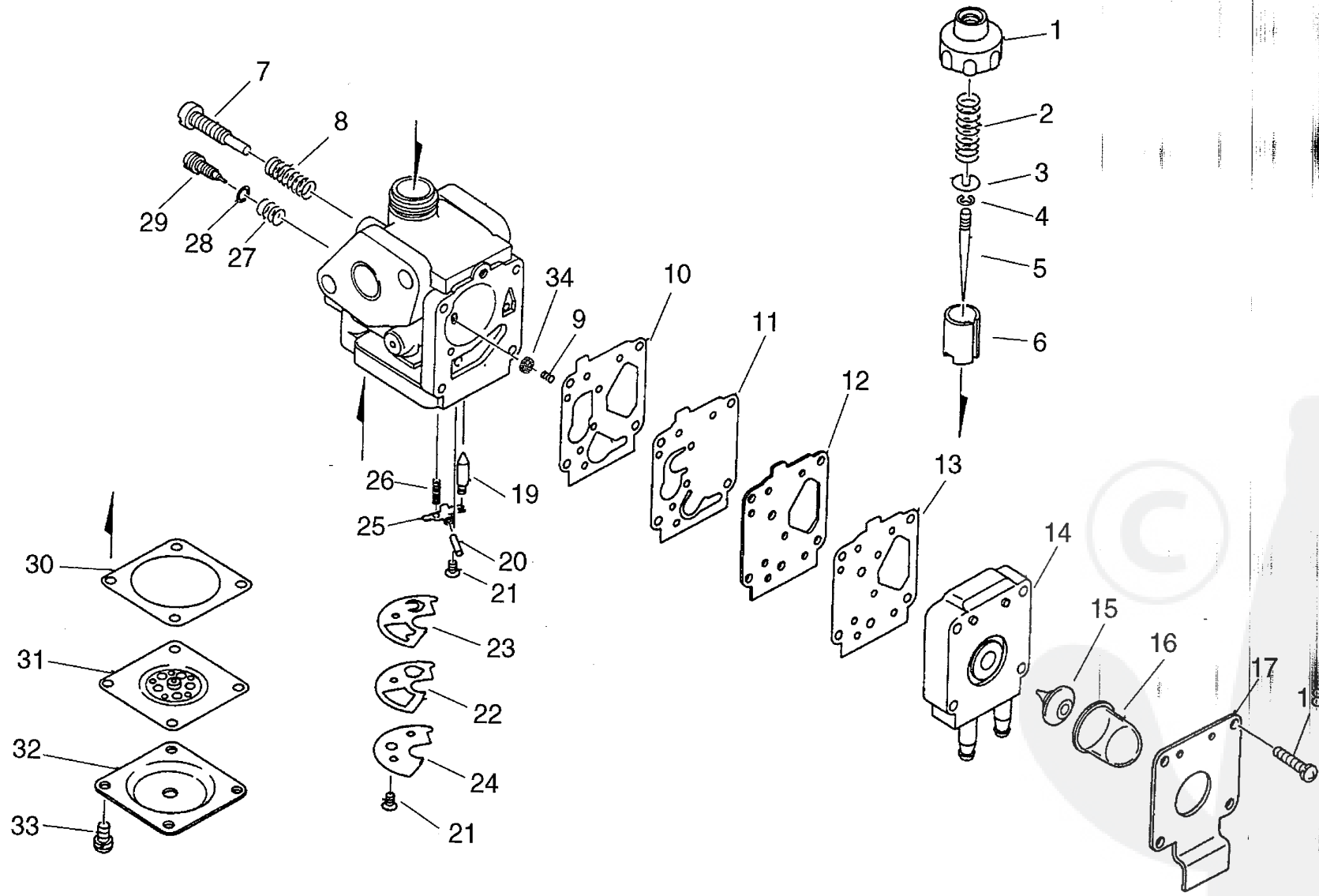


P a r t s L i s t

Group:Power Sprayers Model:SHR-4100 Section:Air Cleaner, Muffler(3)

Key	Lv	Part Number	Q'ty	Description	Remarks	Note
1		130016-12710	1	GASKET, INTAKE		
2		900500-00005	2	NUT 5		
3		130017-12711	1	INSULATOR		
4		130010-52830	1	GASKET, INTAKE		
5		124200-12710	1	CARBURETOR ASSY		
6		130307-12710	1	CASE, AIR CLEANER	Sus. by 130307-52830	
6		130307-53930	1	CASE, AIR CLEANER	Sus. by 130307-52830	
6		130307-52830	1	CASE, AIR CLEANER		
7		130311-52830	1	GRID, AIR CLEANER		
8		130310-52830	1	FILTER, AIR		
9		130308-12710	1	COVER, AIR CLEANER		
10		900242-04020	2	SCREW 4*20		
11		900242-05060	2	SCREW 5*60		
12		900242-05020	2	SCREW 5*20		
15		900105-05055	2	BOLT, H.S. 5*55		
16		145642-04930	1	WASHER		
17		145610-11610	1	MUFFLER		
18		145510-42031	2	GASKET, MUFFLER	Sus. by V104-000160	
18		V104-000160	2	GASKET, EXHAUST		
19		145871-44331	1	COVER, MUFFLER	Sus. by A320-000251	
19		145631-42030	1	COVER, MUFFLER	Sus. by A320-000251	
19		A320-000250	1	COVER, MUFFLER	Sus. by A320-000251	
19		A320-000251	1	COVER, MUFFLER		

No.4



P a r t s L i s t

Group:Power Sprayers Model:SHR-4100 Section:Carburetor(4)

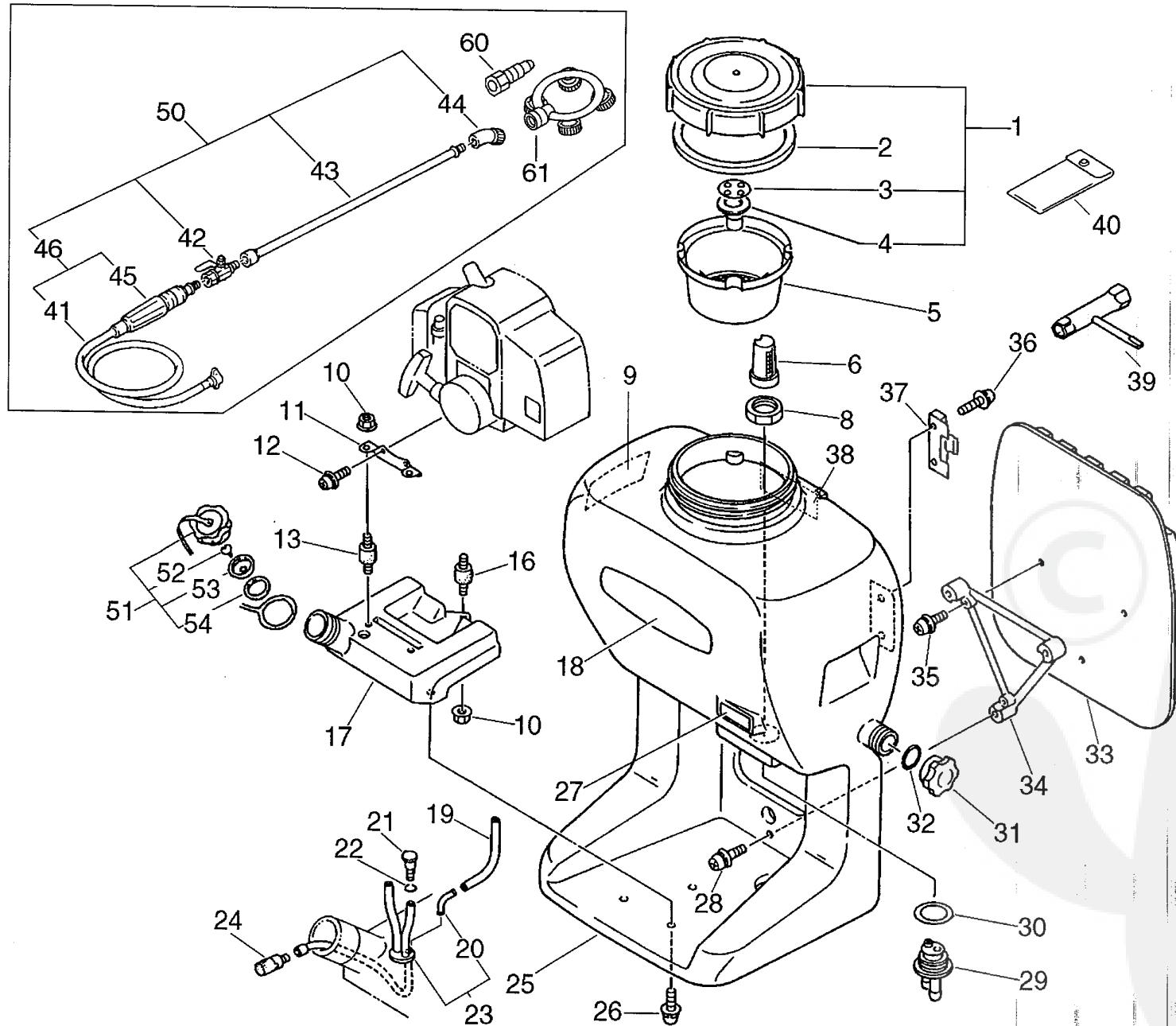
Key	Lv	Part Number	Q'ty	Description	Remarks	Note
		124200-12710	1	CARBURETOR ASSY		
1	+	124113-05530	1	COVER, TOP		
2	+	124114-05530	1	SPRING, THROTTLE		
3	+	124115-05530	1	SEAT, SPRING		
4	+	124116-05530	1	E-RING		
5	+	124317-22831	1	NEEDLE, JET		
6	+	124318-12710	1	VALVE, THROTTLE		
7	+	124159-05530	1	SCREW, IDLE ADJUST		
8	+	124160-11120	1	SPRING, IDLE ADJUST		
9	+	124355-50130	1	SPRING, ADJUSTMENT		
10	+	124361-12710	1	GASKET		
11	+	124364-40830	1	DIAPHRAGM, FUEL PUMP		
12	+	124362-12710	1	PLATE, PUMP		
13	+	124363-12710	1	GASKET, FUEL PUMP		
14	+	124365-12710	1	COVER, PUMP		
15	+	124374-12710	1	VALVE, COMBINATION		
16	+	124380-12710	1	PUMP, PRIMING		
17	+	124342-52830	1	PLATE, PUMP		
18	+	900241-03016	4	SCREW 3*16 (W/SW)		
19	+	124320-52830	1	VALVE, NEEDLE		
20	+	124332-21330	1	PIN, LEVER		
21	+	900204-03008	2	SCREW 3*8	Sus. by 900212-03008	
21	+	900212-03008	2	SCREW 3*8		
22	+	124374-53630	1	VALVE, CHECK		
23	+	124375-12710	1	GASKET		
24	+	124345-12710	1	PLATE		
25	+	124321-21330	1	LEVER, INLET CONTROL		
26	+	124331-12710	1	SPRING, TENSION		

Parts List

Group:Power Sprayers Model:SHR-4100 Section:Carburetor(4)

Key	Lv	Part Number	Q'ty	Description	Remarks	Note
27	+	124355-21330	1	SPRING, ADJUSTMENT		
28	+	124356-21330	1	O-RING		
29	+	124354-46430	1	SCREW, MAIN ADJUST	Sus. by 124354-12710	
29	+	124354-12710	1	SCREW, MAIN ADJUST		
30	+	124358-21330	1	GASKET, DIAPHRAGM		
31	+	124341-49930	1	DIAPHRAGM		
32	+	124324-21330	1	COVER, DIAPHRAGM		
33	+	900240-03008	4	SCREW 3*8 (W/W,SW)		
34	+	P004-000010	1	CREEN, INLET		

No.5



P a r t s L i s t

Group:Power Sprayers Model:SHR-4100 Section:Fuel Tank, Back Pack, Chemical Tank(5)

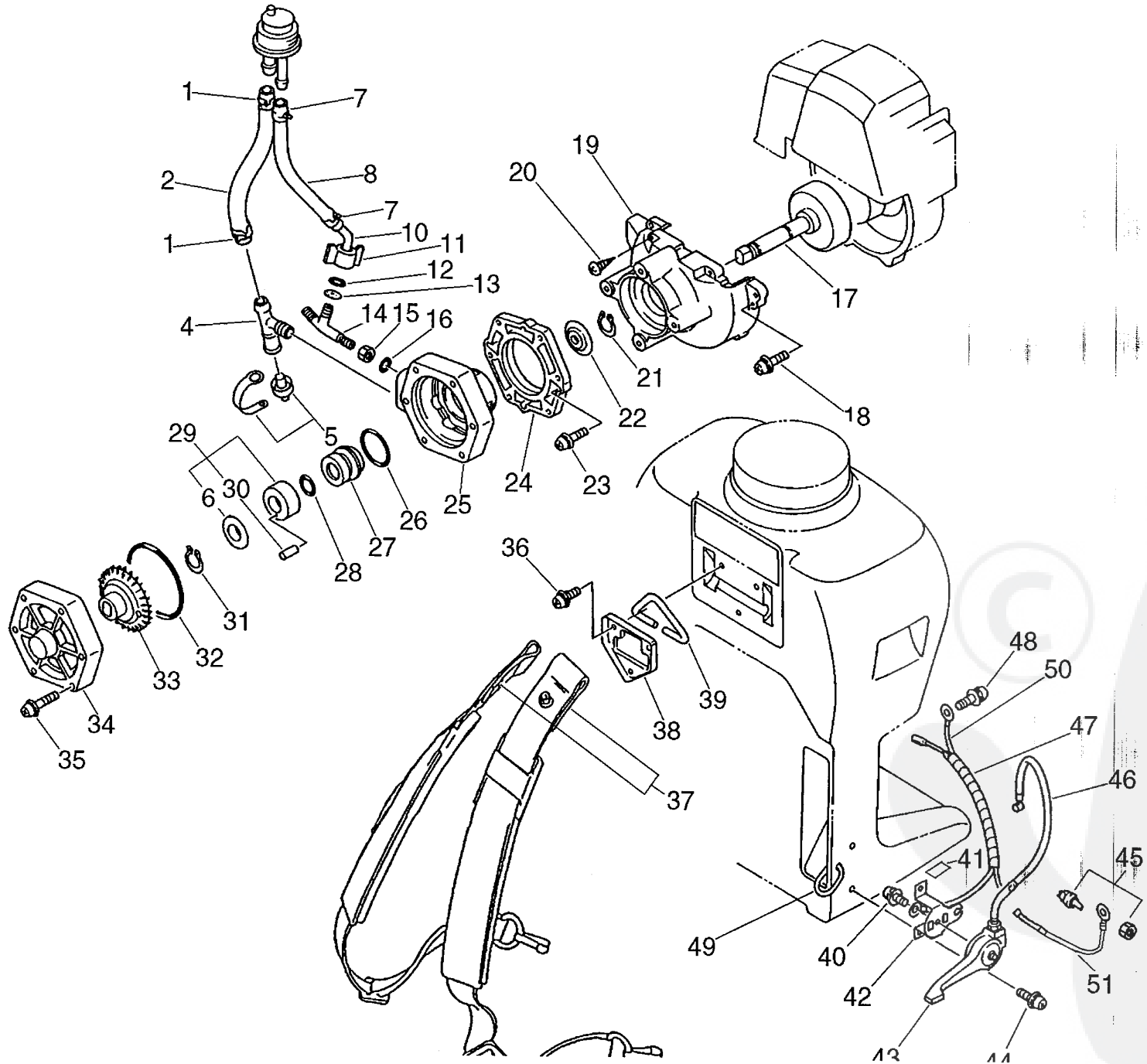
Key	Lv	Part Number	Q'ty	Description	Remarks	Note
1		250001-11310	1	CAP, TANK CHEICAL		
3 +		250026-11310	1	VALVE, AIR		
4 +		250027-11310	1	PACKING		
2		250011-01110	1	GASKET, CHMCL. TANK		
5		254210-12210	1	FILTER, CHMCL. TANK	Sus. by 254210-12210	
5		E220-000010	1	FILTER, TANK	Sus. by 254210-12210	
5		254210-12210	1	FILTER, CHMCL. TANK		
6		356111-10510	1	SCREEN		
8		357015-12710	1	NUT, HOSE		
9		890184-10610	1	LABEL, CAUTION		
10		900518-00006	3	NUT, FLANGE 6		
11		104925-11610	1	BASE, SWIVEL		
12		900242-05010	2	SCREW 5*10		
13		104910-11410	2	CUSHION		
16		104910-11610	1	CUSHION 6		
17		131005-12710	1	TANK, FUEL	Sus. by 131005-12711	
17		131005-12711	1	TANK, FUEL		
18		890118-12710	1	LABEL, ECHO		
19		129028-11612	1	PIPE	Sus. by 132010-40830	
19		132010-40830	1	PIPE 3* 6* 75		
21		131300-40630	1	VALVE, CHECK	Sus. by 131300-56430	
21		131300-56430	1	VALVE, CHECK		
22		130111-00530	1	CLIP		
23		132002-11910	1	PIPE, FUEL		
20 +		132021-40630	1	CONNECTOR, PIPE		
24		131205-50430	1	STRAINER, FUEL	Sus. by 131205-14930	
24		131205-14930	1	STRAINER, FUEL		
25		253006-12710	1	TANK, CHEMICAL		

P a r t s L i s t

Group:Power Sprayers Model:SHR-4100 Section:Fuel Tank, Back Pack, Chemical Tank(5)

Key	Lv	Part Number	Q'ty	Description	Remarks	Note
26		900242-06014	3	SCREW 6*14		
27		890112-12710	1	LABEL, MODEL		
28		900242-05016	3	SCREW 5*16	Sus. by 900243-05016	
28		900243-05016	3	SCREW 5*16		
29		357010-12710	1	NIPPLE, HOSE		
30		357014-12711	1	GASKET, CIRCULAR		
31		250211-11410	1	NUT, HOSE		
32		900720-30028	1	O-RING P-28 (F)		
33		300105-12710	1	SEAT, BACK PACK		
34		300333-12710	1	PIECE, BACK PACK		
35		900242-05014	3	SCREW 5*14	Sus. by 900242-05016	
35		900242-05016	3	SCREW 5*16		
36		900242-06020	2	SCREW 6*20		
37		224915-12711	1	HOLDER, NOZZLE		
38		890178-10611	1	LABEL, CAUTION		
39		895410-03930	1	WRENCH, W/S. DRIVER		
40		898510-14130	1	TOOL BAG	Sus. by 898510-39130	
40		898510-39130	1	BAG, TOOL		
50		224100-11611	1	SPRAY LANCE SHR-041	Sus. by 224100-11613	
50		224100-11612	1	SPRAY LANCE	Sus. by 224100-11613	
50		224100-11613	1	SPRAY LANCE		
42 +		224400-10510	1	VALVE, NOZZLE	Sus. by E245-000050	
42 +		224400-11710	1	VALVE, NOZZLE	Sus. by E245-000050	
42 +		E245-000050	1	COCK, LIQUID		
43 +		224102-11610	1	PIPE, NOZZLE	Sus. by E270-000030	
43 +		224102-11611	1	PIPE, NOZZLE	Sus. by E270-000030	
43 +		E270-000030	1	PIPE, NOZZLE		
44 +		224101-11610	1	NOZZLE		

No.6



Parts List

Group:Power Sprayers Model:SHR-4100 Section:Harness, Pump(6)

Key	Lv	Part Number	Q'ty	Description	Remarks	Note
1		357023-01110	2	CLIP 13	Sus. by V495-000310	
1		V495-000310	2	BAND		
2		382012-12710	1	PIPE		
4		382015-11610	1	NIPPLE		
5		382004-11710	1	PLUG, DRAIN		
7		386020-10511	2	CLIP (10MM)		
8		386010-12710	1	PIPE		
10		386012-10511	1	NIPPLE		
11		386015-10510	1	NUT, WING		
12		386019-10510	1	GASKET, BYPASS NOZZLE		
13		386018-10510	1	NOZZLE, BYPASS		
14		384013-11610	1	NIPPLE, OUTLET PUMP		
15		384029-10510	1	NUT		
16		900722-00100	1	O-RING P-10A		
17		175005-11810	1	DRUM, CLUTCH		
18		900242-04016	4	SCREW 4*16		
19		101507-12712	1	COVER, FAN BS		
20		900252-04014	2	SCREW 4*14		
21		900701-00012	1	CIRCLIP 12		
22		405114-10510	1	PLATE		
23		900245-06016	4	SCREW 6*16		
24		100209-11910	1	BRACKET, PUMP		
25		405210-10512	1	CASING, PUMP		
26		900724-00029	1	O-RING (S-29)		
27		405100-11410	1	SEAL, UNIT		
28		900724-00010	1	O-RING 10		
29		405103-11411	1	COUPLING, SEAL. UNIT		
6+		400111-11410	1	WASHER		

Parts List

Group:Power Sprayers Model:SHR-4100 Section:Harness, Pump(6)

Key	Lv	Part Number	Q'ty	Description	Remarks	Note
30	+	405113-10510	1	PIN		
31		900704-00012	1	CIRCLIP 12		
32		900724-30067	1	O-RING		
33		405110-10512	1	IMPELLER		
34		405211-10511	1	LID, PUMP		
35		900242-05040	6	SCREW 5*40		
36		900242-06010	3	SCREW 6*10		
37		300300-11610	2	HARNES, KNAPSACK	Sus. by 300300-11611	
37		300300-11611	2	HARNES, BACKPACK		
38		300614-11610	1	BRACKET, HANGER		
39		300610-11610	1	HANGER		
40		900242-05010	1	SCREW 5*10		
41		890157-39130	1	LABEL, SWITCH		
42		178123-13210	1	BRACKET, THROTTLE		
43		178000-12710	1	LEVER, CONTROL		
44		900242-05016	2	SCREW 5*16		
45		163400-10610	1	SWITCH, IGNITION		
46		178001-12711	1	WIRE, THROTTLE		
47		132015-13210	1	TUBE, COIL		
48		900242-05010	1	SCREW 5*10		
49		300319-01611	2	RING, HARNES		
50		162010-11612	1	LEAD, GROUND		
51		162014-13210	1	LEAD, GROUND		