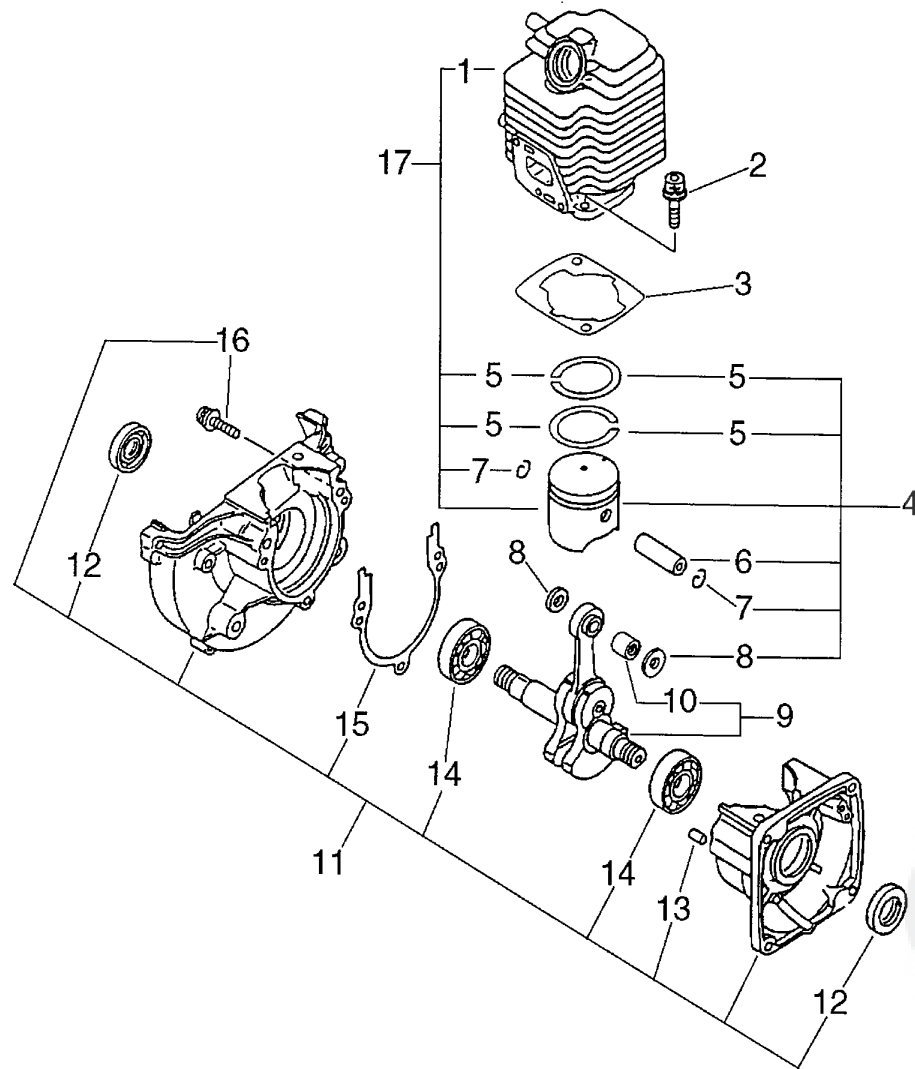


No.1

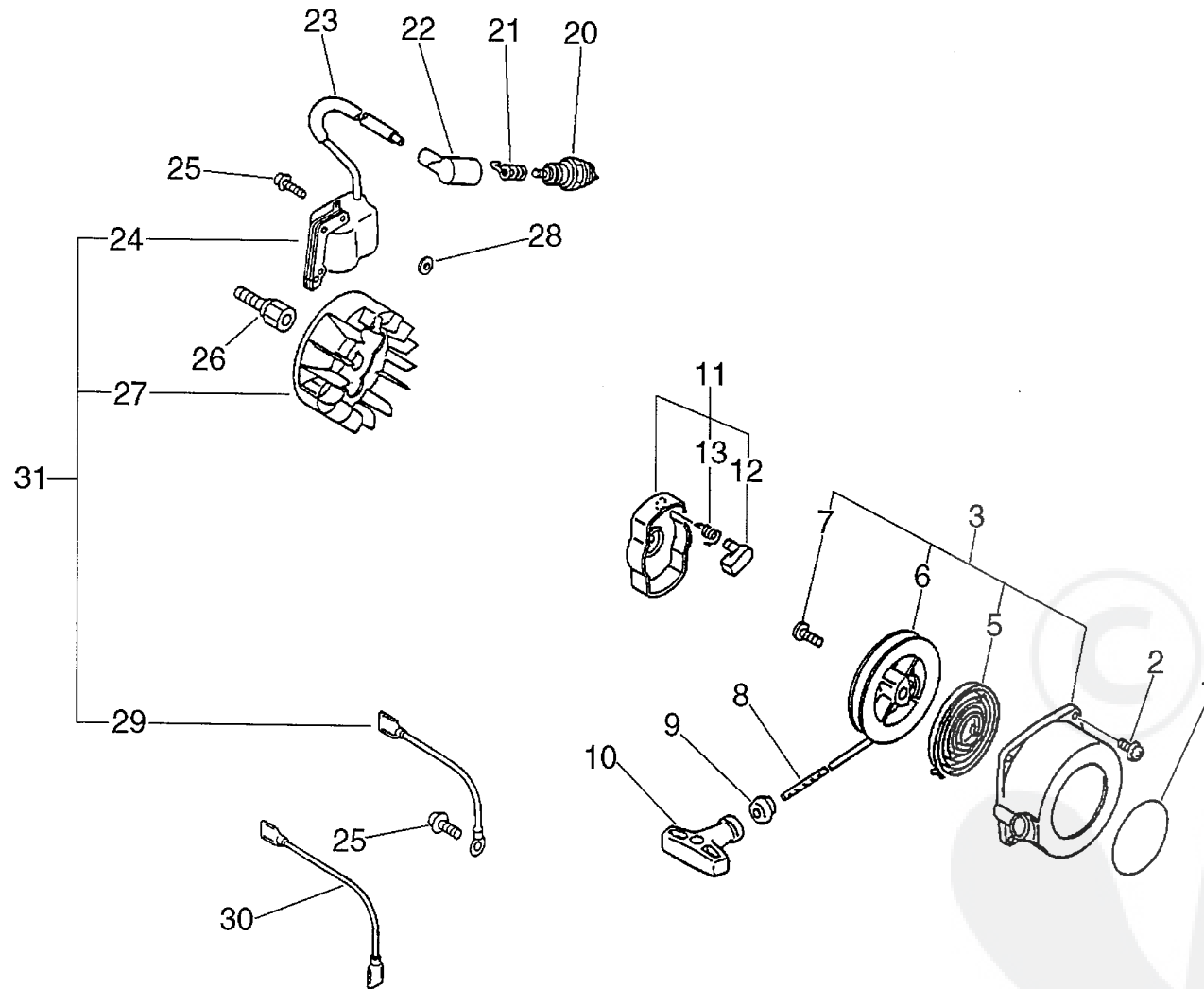


P a r t s L i s t

Group:Shred 'N' Vac Model:ES-2400 Section:Cylinder, Crankcase, Piston(1)

| Key | Lv | Part Number | Q'ty | Description | Remarks | Note |
|------|----|--------------|------|---------------------|------------------------|------|
| 1 | | 101011-08960 | 1 | CYLINDER (CR) | Sus. by 101003-08960 | |
| 17 | | 101003-08960 | 1 | CYLINDER PISTON KIT | | |
| 1 + | | 101011-08961 | 1 | CYLINDER (CR) | Sr/Nr 006687 and after | |
| 5 + | | 100011-09560 | 2 | RING, PISTON | | |
| 7 + | | 100015-04630 | 2 | CIRCLIP, PISTON PIN | | |
| 2 | | 900162-05022 | 2 | BOLT, H.S. 5*22 | | |
| 3 | | 101010-44332 | 1 | GASKET, CYL. BASE | | |
| 4 | | 100000-09562 | 1 | PISTON KIT | Sus. by 100000-09563 | |
| 4 | | 100000-09563 | 1 | PISTON KIT | | |
| 5 + | | 100011-09560 | 2 | RING, PISTON | | |
| 6 + | | 100013-11520 | 1 | PIN, PISTON | | |
| 7 + | | 100015-04630 | 2 | CIRCLIP, PISTON PIN | | |
| 8 + | | 100014-11520 | 2 | SPACER, PISTON PIN | | |
| 9 | | 100100-44732 | 1 | CRANKSHAFT ASSY | Sus. by A011-000160 | |
| 9 | | A011-000100 | 1 | CRANKSHAFT ASM | Sus. by A011-000160 | |
| 9 | | A011-000160 | 1 | CRANKSHAFT, ASM | | |
| 10 + | | 100012-51230 | 1 | BEARING, NEEDLE | Sus. by V553-000010 | |
| 10 + | | V553-000010 | 1 | BEARING, NEEDLE 8 | | |
| 11 | | 100204-52130 | 1 | CRANKCASE KIT | Sus. by 100204-52132 | |
| 11 | | 100204-52131 | 1 | CRANKCASE KIT | Sus. by 100204-52132 | |
| 11 | | 100204-52132 | 1 | CRANKCASE KIT | | |
| 12 + | | 100212-42030 | 2 | OILSEAL | Sus. by 100212-42031 | |
| 12 + | | 100212-42031 | 2 | OILSEAL | | |
| 13 + | | 100215-03930 | 2 | PIN, DOWEL | | |
| 14 + | | 900810-36201 | 2 | BEARING, BALL 6201 | Sus. by 94035-36201 | |
| 14 + | | 94035-36201 | 2 | BEARING, BALL | | |
| 15 + | | 100242-42030 | 1 | GASKET, CRANKCASE | | |
| 16 + | | 900162-05028 | 3 | BOLT, H.S. 5*28 | | |

No.2

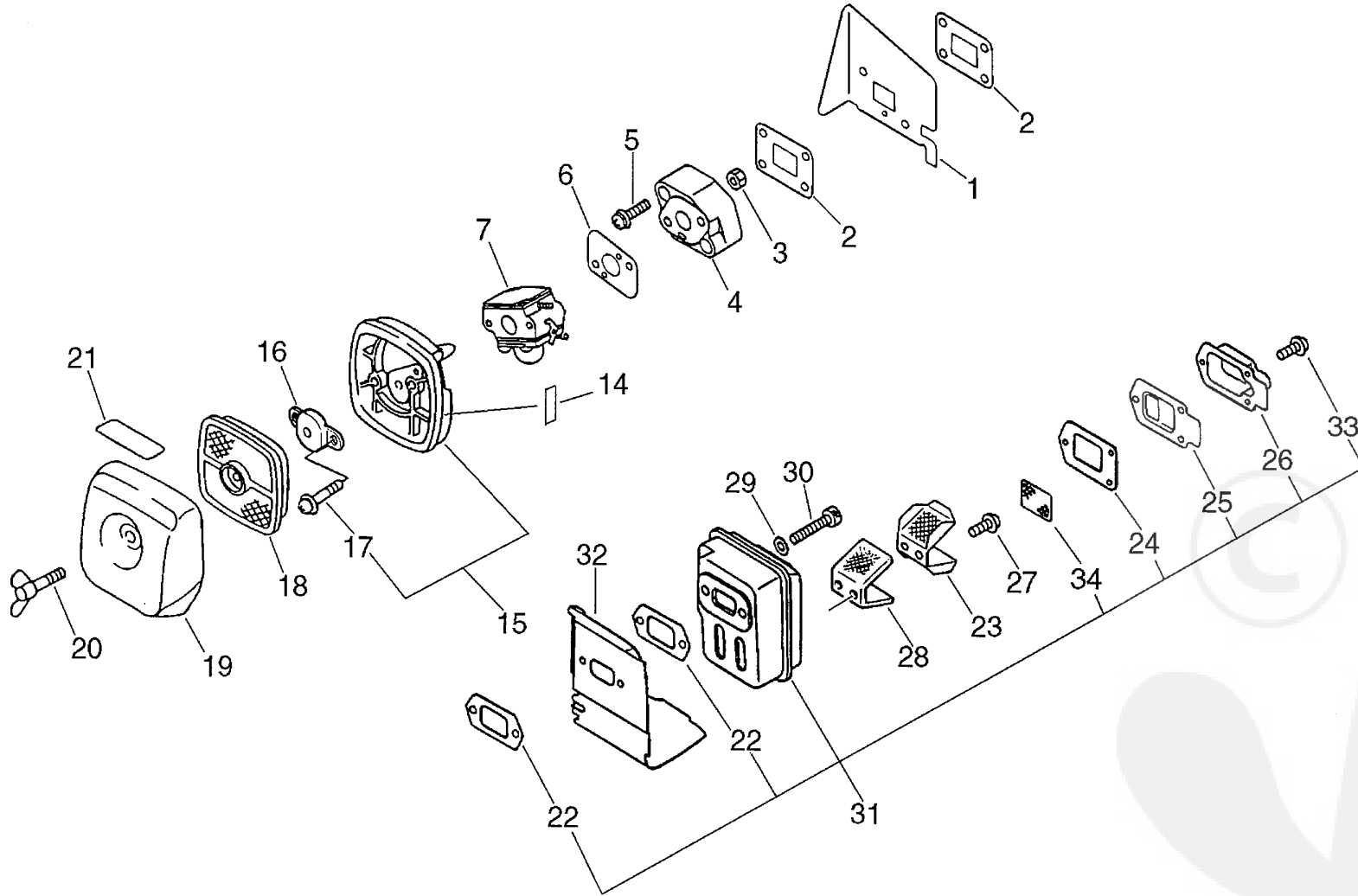


Parts List

Group:Shred 'N' Vac Model:ES-2400 Section:Starter, Magneto(2)

| Key | Lv | Part Number | Q'ty | Description | Remarks | Note |
|------|----|--------------|------|----------------------|------------------------|------|
| 1 | | 890118-49130 | 1 | LABEL, ECHO | | |
| 2 | | 900162-04016 | 4 | BOLT, H.S. 4*16 | Sus. by 900163-04016 | |
| 2 | | 900163-04016 | 4 | BOLT HSH | | |
| 3 | | 177200-42033 | 1 | STARTER ASSY | | |
| 5 + | | 177220-42030 | 1 | SPRING, REWIND | | |
| 6 + | | 177215-44430 | 1 | DRUM, STARTER | | |
| 7 + | | 177236-44330 | 1 | SCREW | | |
| 8 + | | 177226-10120 | 1 | ROPE, STARTER | | |
| 9 + | | 177227-42030 | 1 | GUIDE, ROPE | | |
| 10 + | | 177228-06530 | 1 | GRIP, STARTER | | |
| 11 | | 177202-44330 | 1 | PAWL ASSY, STARTER | | |
| 11 | | A052-000061 | 1 | PULLEY,ASM STARTER | Next Production | |
| 12 + | | 177218-44330 | 1 | PAWL, STARTER | | |
| 13 + | | 177234-42030 | 1 | SPRING, RETURN | | |
| 20 | | 159017-10230 | 1 | PLUG, SPARK (RCJ-7Y) | Sus. by 159010-10230 | |
| 20 | | 159010-10230 | 1 | PLUG, SPARK (BPMR-7A | | |
| 21 | | 159011-03432 | 1 | COIL, SPARK PLUG CAP | Sus. by 159016-05330 | |
| 21 | | 159016-05330 | 1 | ADAPTER, PLUG CAP | | |
| 22 | | 159012-03433 | 1 | CAP, SPARK PLUG | Sus. by 159012-10230 | |
| 22 | | 159012-10230 | 1 | CAP, SPARK PLUG | | |
| 23 | | 156611-05060 | 1 | TUBE | | |
| 24 | | 158626-06360 | 1 | COIL, IGNITION | Sus. by P021-001181 | |
| 24 | | 158626-06361 | 1 | COIL, IGNITION | Sus. by P021-001181 | |
| 31 | | P021-001180 | 1 | MAGNETO ASY | Sus. by P021-001181 | |
| 31 | | P021-001181 | 1 | MAGNETO ASY | | |
| 24 + | | A411-000020 | 1 | COIL,IGNITION | Sr/Nr 026783 and after | |
| 27 + | | A409-000000 | 1 | ROTOR,MAGNETO | Sus. by A409-000100 | |
| 27 + | | A409-000100 | 1 | ROTOR,MAGNETO | Sr/Nr 026783 and after | |

No.3

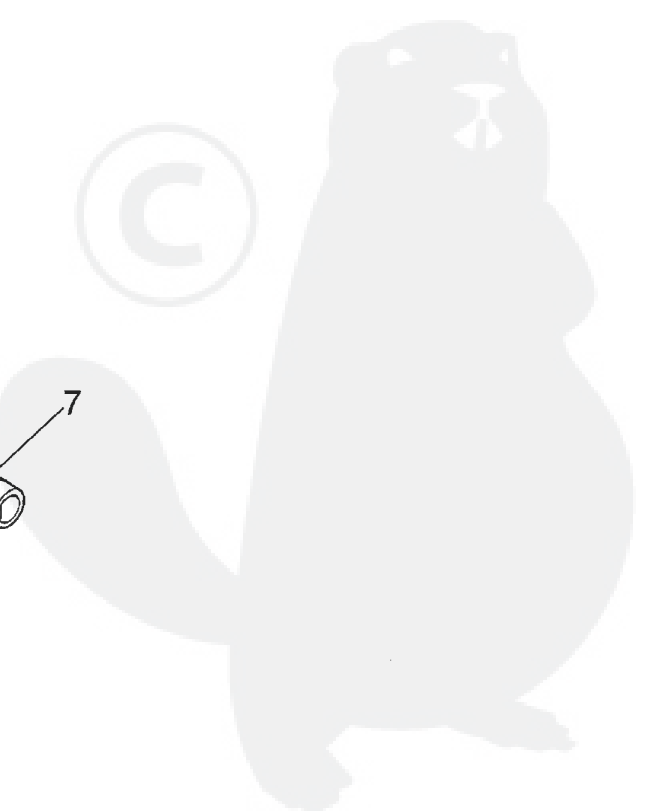
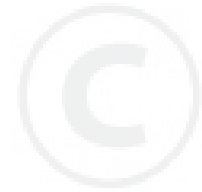
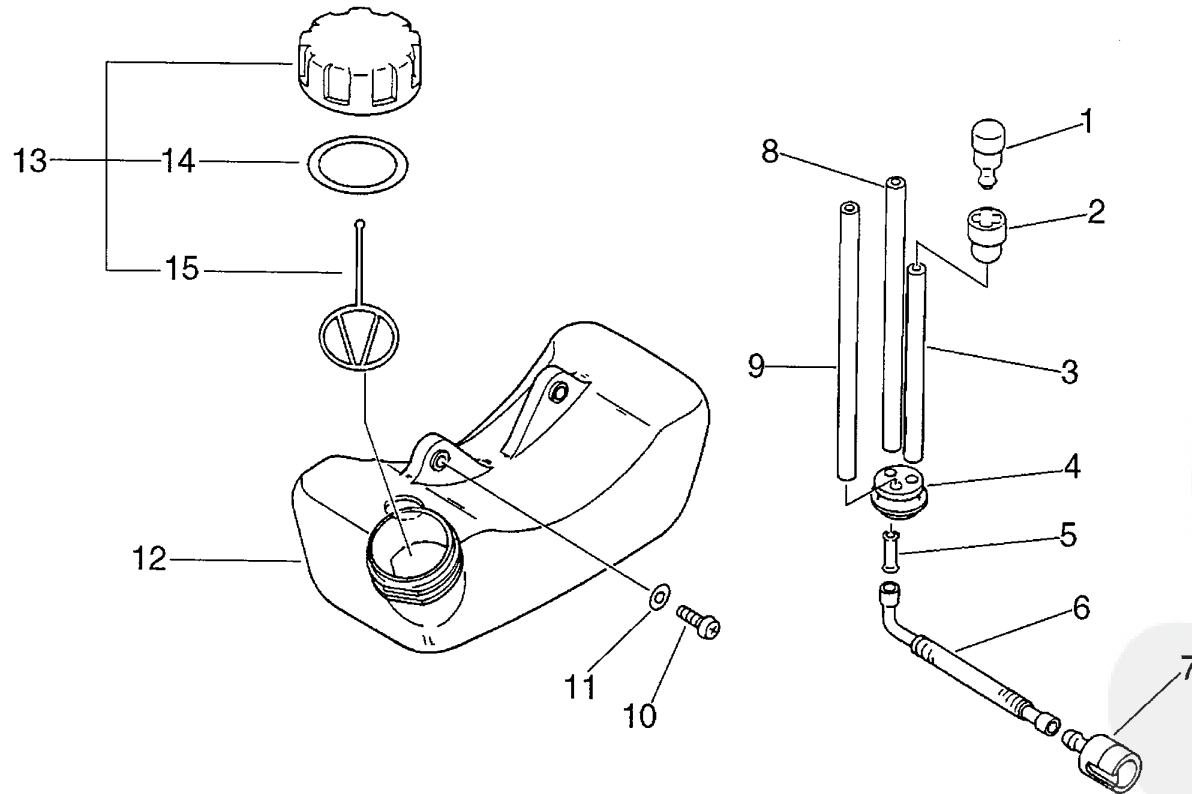


P a r t s L i s t

Group:Shred 'N' Vac Model:ES-2400 Section:Air Cleaner, Muffler(3)

| Key | Lv | Part Number | Q'ty | Description | Remarks | Note |
|-----|----|--------------|------|---------------------|--------------------------------------|------|
| 1 | | 101514-20560 | 1 | COVER, CYLINDER | | |
| 2 | | 130010-09561 | 2 | GASKET, INTAKE | | |
| 3 | | 900500-00005 | 2 | NUT 5 | | |
| 4 | | 130017-05062 | 1 | INSULATOR, INTAKE | | |
| 5 | | 900238-05022 | 2 | SCREW 5*22 | | |
| 6 | | 130010-20560 | 1 | GASKET, INTAKE | | |
| 7 | | 125200-09560 | 1 | CARBURETOR ASY | Sus. by 125200-09562 | |
| 7 | | 125200-09561 | 1 | CARBURETOR | Sus. by 125200-09562 | |
| 7 | | 125200-09562 | 1 | CARBURETOR | | |
| 14 | | 890560-90660 | 1 | LABEL, PRIMING | | |
| 15 | | 130307-06561 | 1 | CASE, AIR CLEANER | Sus. by P021-002921 | |
| 15 | | P021-002921 | 1 | CASE, AIR CLEANER | | |
| 17 | + | 900242-05065 | 2 | SCREW 5*65 | | |
| 16 | | 129011-52730 | 1 | PLATE, PREVENT | | |
| 18 | | 130310-54130 | 1 | FILTER, AIR | | |
| 19 | | 130313-06563 | 1 | LID, AIR CLEANER | | |
| 20 | | 210417-52730 | 1 | BOLT, WING | | |
| 21 | | 890121-05360 | 1 | LABEL, METERING | | |
| 31 | | 145803-09660 | 1 | MUFFLER ASY | Sus.by P021-008840 | |
| 31 | | P021-008840 | 1 | MUFFLER ASY | | |
| 22 | + | 145510-42031 | 2 | GASKET, MUFFLER | Sus.by V104-000160 | |
| 22 | + | V104-000160 | 2 | GASKET, EXHAUST | | |
| 23 | + | 145862-52130 | 1 | SCREEN, MUFFLER | Can be used on the 145803-09660 only | |
| 24 | + | 145866-42031 | 1 | GASKET, MUFFLER LID | | |
| 25 | + | 145876-42030 | 1 | LID, MUFFLER (B) | | |
| 26 | + | 145876-05061 | 1 | PLATE | | |
| 27 | + | 900238-04010 | 2 | SCREW 4*10 | Can be used on the 145803-09660 only | |
| 28 | + | 145820-52130 | 1 | CATALYST | Can be used on the 145803-09660 only | |

No.4

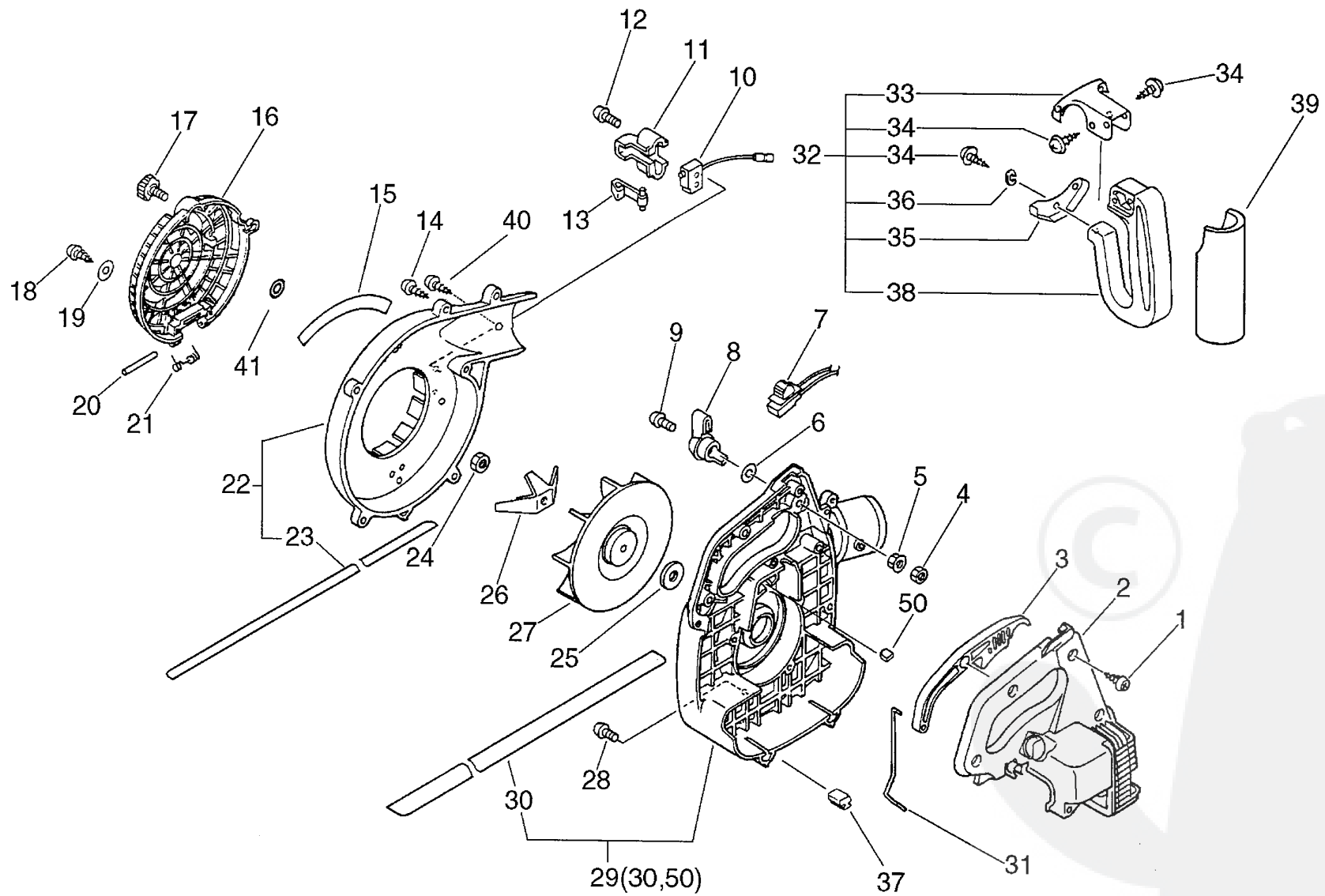


Parts List

Group:Shred 'N' Vac Model:ES-2400 Section:Fuel Tank(4)

| Key | Lv | Part Number | Q'ty | Description | Remarks | Note |
|-----|----|--------------|------|----------------------|----------------------|------|
| 1 | | 131300-56430 | 1 | VALVE, CHECK | | |
| 2 | | 131328-40630 | 1 | COVER, VENT | | |
| 3 | | 131312-44330 | 1 | PIPE, 3*5*70L | Sus. by V471-001200 | |
| 3 | | 131312-39130 | 1 | PIPE | | |
| 3 | | V471-001200 | 1 | PIPE | | |
| 4 | | 132115-46730 | 1 | GROMMET, FUEL | Sus. by V137-000030 | |
| 4 | | V137-000030 | 1 | GROMMET, FUEL | | |
| 5 | | 132011-03360 | 1 | CONNECTOR, FUEL PIPE | | |
| 6 | | 132012-12360 | 1 | PIPE, FUEL | | |
| 7 | | 131205-07320 | 1 | STRAINER, FUEL | | |
| 8 | | 437210-11131 | 1 | PIPE 3*5*90 NBR | Sus. by V471-001210 | |
| 8 | | V471-001210 | 1 | PIPE | | |
| 9 | | 132010-56330 | 1 | PIPE 3*6*90 | | |
| 10 | | 900238-05016 | 2 | SCREW 5*16 | | |
| 11 | | 900603-00005 | 2 | WASHER 5 | | |
| 12 | | 131005-20560 | 1 | TANK, FUEL | Sus. by 131005-20561 | |
| 12 | | 131005-20561 | 1 | TANK, FUEL | | |
| 13 | | 131004-55530 | 1 | CAP ASSY, FUEL TANK | | |
| 14 | + | 131016-55830 | 1 | GASKET, FUEL CAP | | |
| 15 | + | 131051-56030 | 1 | CLIP, FUEL CAP | | |

No.5



Parts List

Date:17/08/2010 Page: 1

Group:Shred 'N' Vac Model:ES-2400 Section:Fan Case(5)

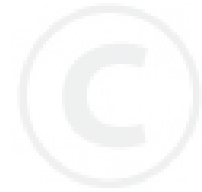
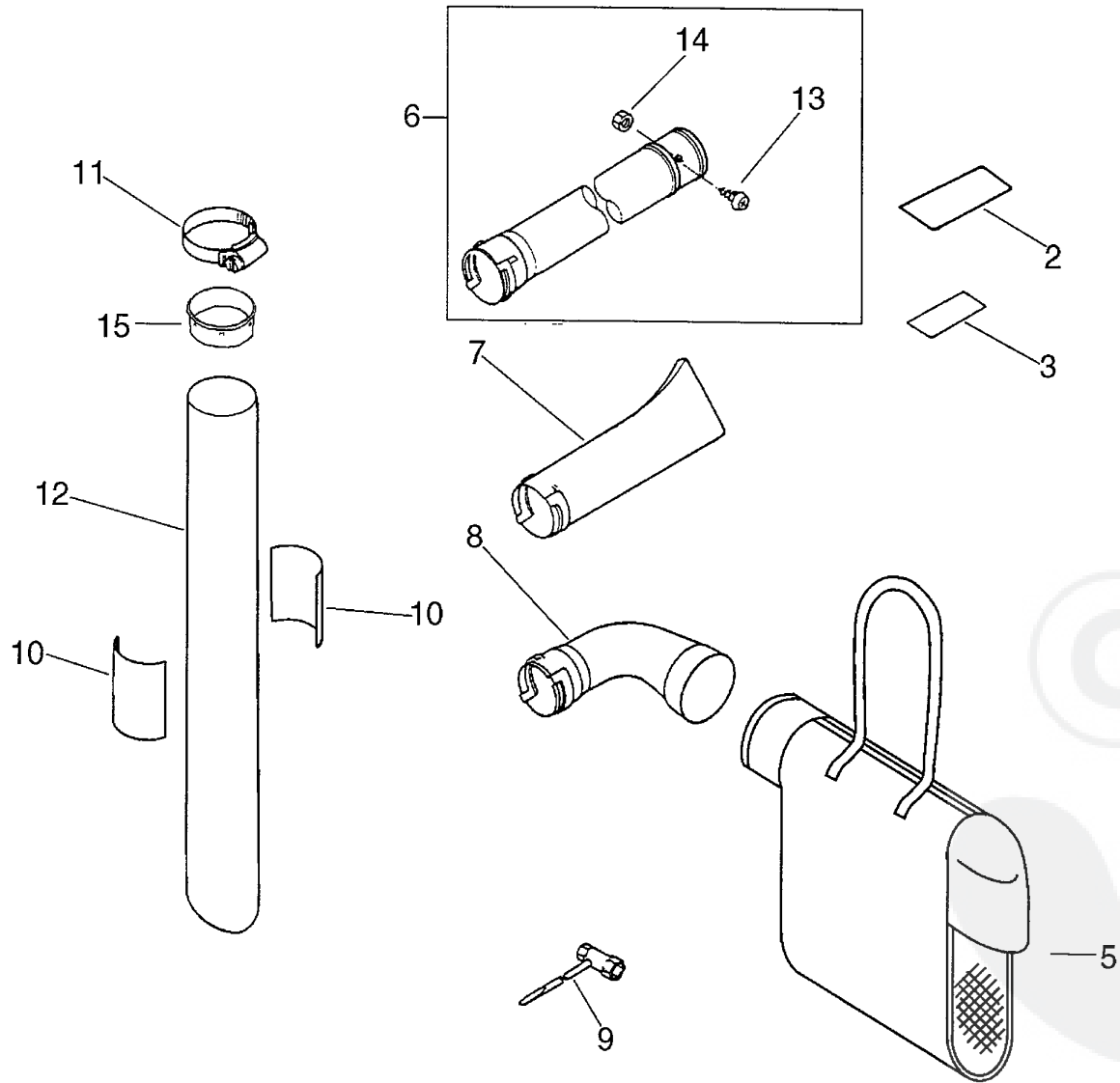
| Key | Lv | Part Number | Q'ty | Description | Remarks | Note |
|-----|----|--------------|------|-------------------|----------------------------------|------|
| 1 | | 900253-05020 | 5 | SCREW 5*20 | Sus. by 900253-05020 Q'ty:7 | |
| 1 | | 900253-05020 | 7 | SCREW 5*20 | Can be used on 104012-20561 only | |
| 2 | | 104012-20560 | 1 | COVER | | |
| 2 | | 104012-20561 | 1 | COVER | | |
| 3 | | 178010-20560 | 1 | CONTROL, THROTTLE | | |
| 4 | | 900502-00005 | 1 | NUT 5 (3N) | | |
| 5 | | 900516-00005 | 1 | NUT, FRANGE 5 | | |
| 6 | | 900603-00005 | 1 | WASHER 5 | | |
| 7 | | 163400-20560 | 1 | SWITCH, IGNITION | Sus. by 163401-20561 | |
| 7 | | 163401-20560 | 1 | SWITCH, IGNITION | Sus. by 163401-20561 | |
| 7 | | 163401-20561 | 1 | SWITCH, IGNITION | | |
| 8 | | 178054-20560 | 1 | CONTROL, THROTTLE | | |
| 9 | | 900238-05025 | 1 | SCREW 5*25 | Sus. by 91358-05025 | |
| 9 | | 91358-05025 | 1 | SCREW | | |
| 10 | | 163400-20660 | 1 | SWITCH, IGNITION | | |
| 11 | | 163810-20660 | 1 | BRACKET, SWITCH | | |
| 12 | | 900256-04022 | 2 | SCREW 4*22 | | |
| 13 | | 163335-20660 | 1 | LEVER, ACTUATOR | Sus. by 163335-20560 | |
| 13 | | 163335-20560 | 1 | LEVER, ACTUATOR | | |
| 14 | | 900253-05020 | 6 | SCREW 5*20 | | |
| 15 | | 890115-09560 | 1 | LABEL, MODEL | | |
| 16 | | 200124-20660 | 1 | GRID, FAN CASE | Sus. by 200124-20661 | |
| 16 | | 200124-20661 | 1 | GRID, FAN CASE | | |
| 17 | | 130406-06360 | 1 | KNOB, FASTENER | Sus. by V299-000290 | |
| 17 | | 130406-20660 | 1 | THUMB | Sus. by V299-000290 | |
| 17 | | V299-000290 | 1 | KNOB, FASTENER | | |
| 18 | | 900253-05014 | 1 | SCREW 5*14 | | |
| 19 | | 900603-00005 | 1 | WASHER 5 | | |

Parts List

Group:Shred 'N' Vac Model:ES-2400 Section:Fan Case(5)

| Key | Lv | Part Number | Q'ty | Description | Remarks | Note |
|------|----|--------------|------|--------------------|--|------|
| 20 | | 200150-05060 | 1 | SHAFT, GRID | | |
| 21 | | 200152-05060 | 1 | SPRING, GRID | | |
| 22 | | 200109-20660 | 1 | CASE, FAN | Sus. by 200111-20664 | |
| 22 | | 200109-20661 | 1 | CASE, FAN | Sus. by 200111-20664 | |
| 22 | | 200109-20662 | 1 | CASE, FAN | Sus. by 200111-20664 | |
| 22 | | 200109-20663 | 1 | CASE, FAN | Sus. by 200111-20664 | |
| 22 | | 200111-20664 | 1 | CASE, FAN | | |
| 23 + | | 220120-20560 | 1 | CUSHION | Sus. by 220120-20561 | |
| 23 + | | 220120-20561 | 1 | CUSHION | Can be used on 200109-20661,-2,-3 only | |
| 24 | | 900500-00008 | 1 | NUT 8 | | |
| 25 | | 100132-05660 | 1 | WASHER | | |
| 26 | | 200180-08761 | 1 | CUTTER, SHREDDER | | |
| 27 | | 200010-06362 | 1 | FAN | Sus. by 200010-06363 | |
| 27 | | 200010-06363 | 1 | FAN | | |
| 28 | | 900162-04022 | 4 | BOLT, H.S. 4*22 | | |
| 29 | | 200108-20661 | 1 | CASE, FAN | Sus. by P021-003703 | |
| 29 | | 200108-20662 | 1 | CASE, FAN | Sus. by P021-003703 | |
| 29 | | P021-003700 | 1 | CASE, FAN (W/PLUG) | Sus. by P021-003703 | |
| 29 | | P021-003701 | 1 | CASE, FAN (W/PLUG) | Sus. by P021-003703 | |
| 30 + | | 220120-20660 | 1 | CUSHION | Sus. by 220120-20661 | |
| 30 + | | 220120-20661 | 1 | CUSHION | | |
| 50 + | | 101538-28230 | 1 | GROMMET, PLUG | | |
| 29 | | P021-003702 | 1 | CASE, FAN (W/PLUG) | Sus. by P021-003703 | |
| 29 | | P021-003703 | 1 | CASE, FAN (W/PLUG) | | |
| 50 + | | 101538-28230 | 1 | GROMMET, PLUG | | |
| 31 | | 178011-20560 | 1 | ROD, THROTTLE | Sus. by 178011-20561 | |
| 31 | | 178011-20561 | 1 | ROD, THROTTLE | | |
| 32 | | 351000-05060 | 1 | HANDLE ASSY, REAR | | |

No.6

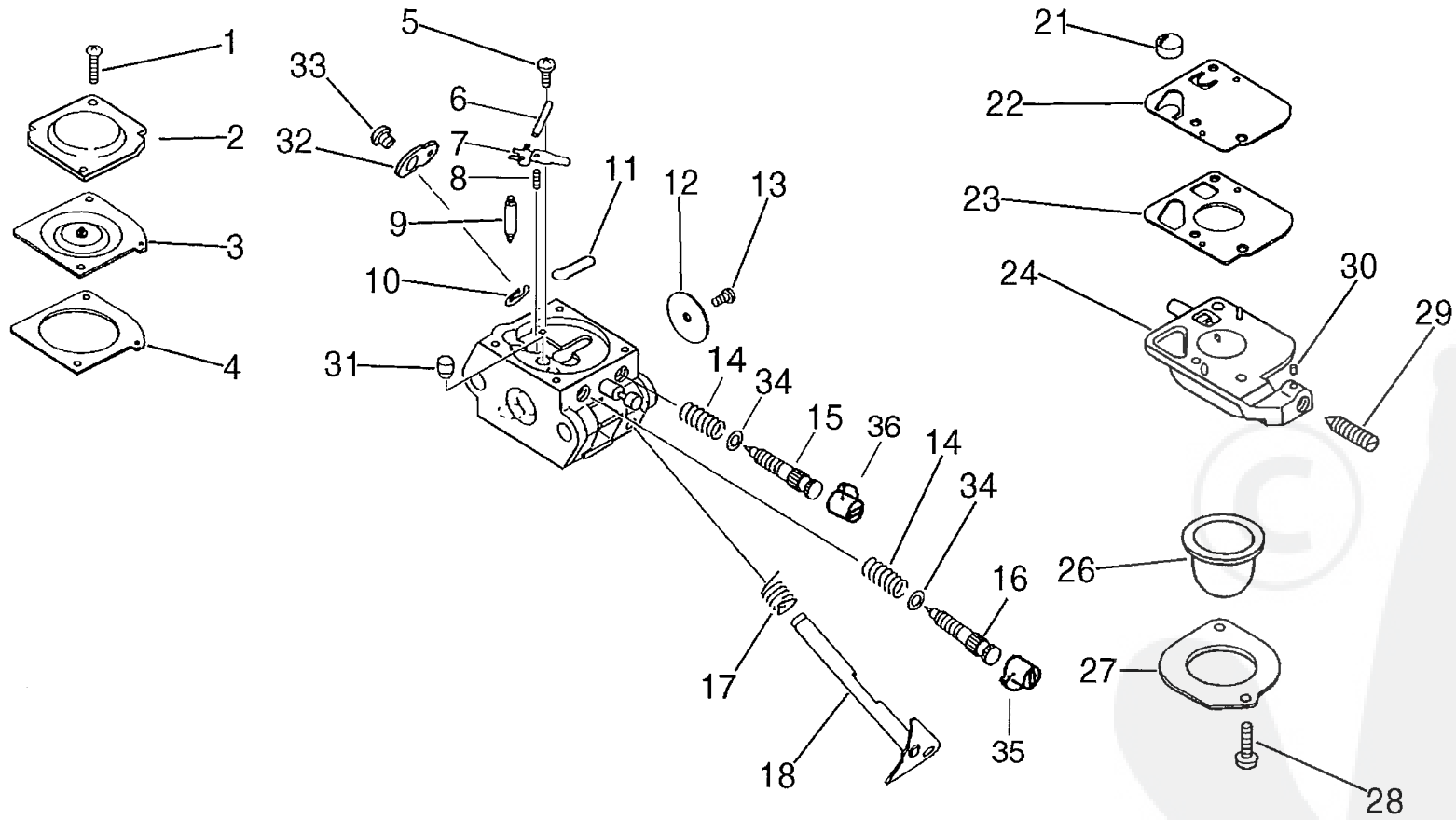


Parts List

Group:Shred 'N' Vac Model:ES-2400 Section:Pipe, Dust Bag, Tool(6)

| Key | Lv | Part Number | Q'ty | Description | Remarks | Note |
|-----|----|--------------|------|-----------------------|----------------------------------|------|
| 2 | | 890160-09460 | 1 | LABEL, CAUTION | Sus. by 890160-09461 | |
| 2 | | 890160-09461 | 1 | LABEL, CAUTION | | |
| 3 | | 890160-06360 | 1 | LABEL, CAUTION | Sus. by 890160-06361 | |
| 3 | | 890160-06361 | 1 | LABEL, CAUTION | | |
| 5 | | 880814-09460 | 1 | BAG, DUST (W/HARNESS) | Sus. by X692-000021 | |
| 5 | | X692-000020 | 1 | BAG, DUST | Sus. by X692-000021 | |
| 5 | | X692-000021 | 1 | BAG, DUST | | |
| 6 | | 210015-05060 | 1 | PIPE, STRAIGHT (BL) | Sus. by 210007-20660 | |
| 6 | | 210007-20660 | 1 | PIPE, BLOWER | | |
| 13 | + | 900238-05010 | 1 | SCREW 5*10 | | |
| 14 | + | 900500-00005 | 1 | NUT 5 | | |
| 7 | | 210014-20560 | 1 | PIPE, BLOWER | Sus. by 210014-20660 | |
| 7 | | 210014-20660 | 1 | PIPE, STRAIGHT | | |
| 8 | | 215012-05060 | 1 | CONNECTOR (BL) | Sus. by 215012-20110 | |
| 8 | | 215012-20110 | 1 | PIPE, MAIN | | |
| 9 | | 895410-00430 | 1 | WRENCH, W/S. DRIVER | | |
| 10 | | 890118-09460 | 2 | LABEL, MODEL | | |
| 11 | | 210413-05060 | 1 | CLAMP, FLEXIBLE PIPE | | |
| 12 | | 210027-06562 | 1 | PIPE, SUCTION | Sus. by E180-000000 | |
| 12 | | E180-000000 | 1 | PIPE, SUCTION | | |
| 15 | | 385155-09660 | 1 | SLEEVE | Can be used on 210027-06562 only | |

No.7



P a r t s L i s t

Group:Shred 'N' Vac Model:ES-2400 Section:Carburetor(7)

| Key | Lv | Part Number | Q'ty | Description | Remarks | Note |
|-----|----|--------------|------|----------------------|-------------------------|------|
| | | 125200-09560 | 1 | CARBURETOR ASY | Sus. by 125200-09562 | |
| | | 125200-09561 | 1 | CARBURETOR | Sus. by 125200-09562 | |
| | | 125200-09562 | 1 | CARBURETOR | | |
| 1 | + | 125344-52130 | 2 | SCREW | | |
| 2 | + | 125342-07360 | 1 | COVER, DIAPHRAGM | | |
| 3 | + | 125341-34530 | 1 | DIAPHRAGM | | |
| 4 | + | 125340-20560 | 1 | GASKET, DIAPHRAGM | | |
| 5 | + | 125339-42030 | 1 | SCREW | | |
| 6 | + | 125338-13930 | 1 | PIN, METERING ARM | | |
| 7 | + | 125323-42030 | 1 | LEVER, METERING | | |
| 8 | + | 125322-07260 | 1 | SPRING, COIL | | |
| 9 | + | 125337-06960 | 1 | VALVE, INLET NEEDLE | | |
| 10 | + | 125327-13930 | 1 | CLIP | | |
| 11 | + | 125345-15130 | 1 | PLUG, WELCH | | |
| 12 | + | 125316-20560 | 1 | VALVE, THROTTLE | Sr/Nr 029298 and before | |
| 12 | + | 125316-53130 | 1 | VALVE, THROTTLE | Sr/Nr 029299 and after | |
| 13 | + | 125314-13930 | 1 | SCREW | | |
| 14 | + | 125319-42030 | 2 | SPRING, COIL | Sr/Nr 029298 and before | |
| 15 | + | 125318-09560 | 1 | NEEDLE, IDLE | Sr/Nr 029298 and before | |
| 15 | + | P005-000450 | 1 | SCREW ASY IDLE MIX. | Sr/Nr 029299 and after | |
| 16 | + | 125320-20560 | 1 | NEEDLE, HIGH SPEED | Sr/Nr 029298 and before | |
| 16 | + | 125320-13310 | 1 | NEEDLE, HIGH SPEED | Sr/Nr 029299 and after | |
| 17 | + | 125313-20560 | 1 | SPRING, THRT.RETURN | Sus. by 125313-08560 | |
| 17 | + | 125313-08560 | 1 | SPRING, THRT. RETURN | | |
| 18 | + | 125317-06860 | 1 | SHAFT, THROTTLE | | |
| 21 | + | 125326-42030 | 1 | STRAINER | | |
| 22 | + | 125312-12820 | 1 | DIAPHRAGM, FUEL PUMP | | |
| 23 | + | 125325-42030 | 1 | GASKET, FUEL PUMP | Sus. by 125325-13310 | |

P a r t s L i s t

Group:Shred 'N' Vac Model:ES-2400 Section:Carburetor(7)

| Key | Lv | Part Number | Q'ty | Description | Remarks | Note |
|-----|----|--------------|------|---------------------|--------------------------|------|
| 23 | + | 125325-13310 | 1 | GASKET, PUMP | | |
| 24 | + | 125324-11610 | 1 | COVER, PUMP | Sus. by 125383-13310 | |
| 24 | + | 125383-13310 | 1 | BASE, PRIMER | Sus. by P005-000990 | |
| 24 | + | P005-000990 | 1 | BASE, PRIMER | | |
| 26 | + | 125381-46730 | 1 | PUMP, PRIMING | Sus. by 125381-08660 | |
| 26 | + | 125381-08660 | 1 | PUMP, PRIMING | | |
| 27 | + | 125363-11610 | 1 | RING | | |
| 28 | + | 125310-11610 | 1 | SCREW | | |
| 29 | + | 125334-06860 | 1 | SCREW, IDLE ADJUST | | |
| 30 | + | 125378-13930 | 1 | PIECE, FRICTION | | |
| 31 | + | 125376-07360 | 1 | NOZZLE, CHECK VALVE | | |
| 32 | + | 125350-20560 | 1 | LEVER, THROTTLE | | |
| 33 | + | 125348-13930 | 1 | SCREW | | |
| 34 | + | 125353-07760 | 2 | WASHER | Sus. by 125353-20560 | |
| 34 | + | 125353-20560 | 2 | WASHER | Sr/Nr 029298 and before | |
| 35 | | 125329-08560 | 1 | LIMITER, MIXTURE | Sr/Nr 36001001 and after | |
| 36 | | 125329-09860 | 1 | LIMITER, MIXTURE | Sr/Nr 36001001 and after | |

