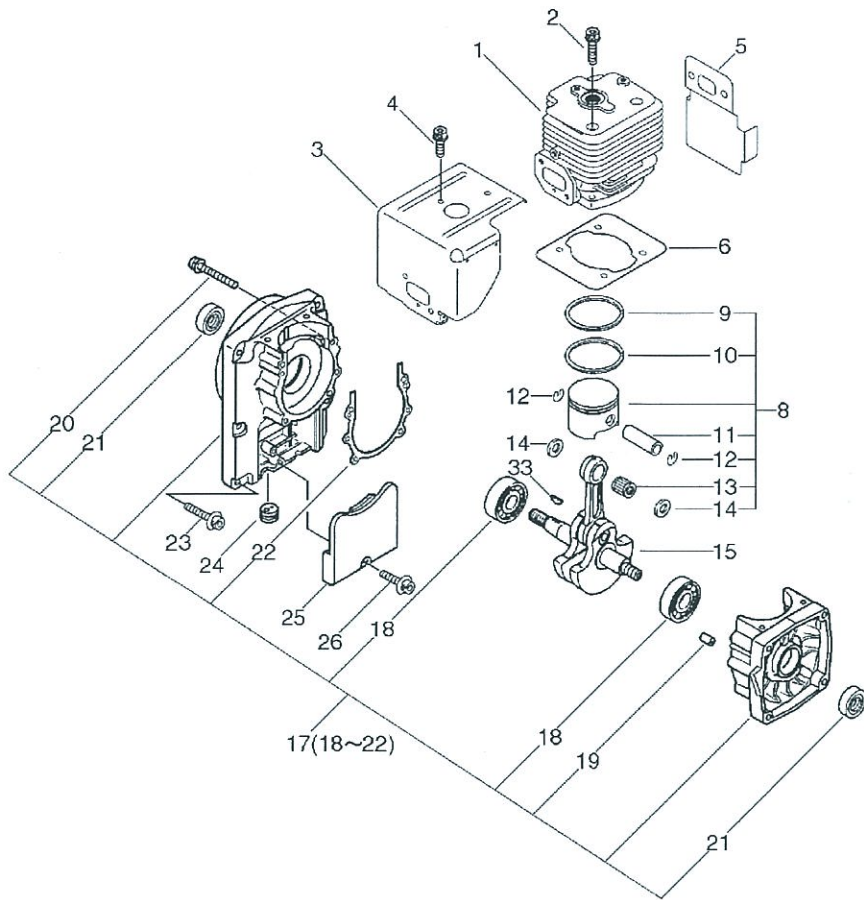


PB-650, -1--1, Cylinder, Crankcase, Piston
PB-650, 2008/11/28

No.1

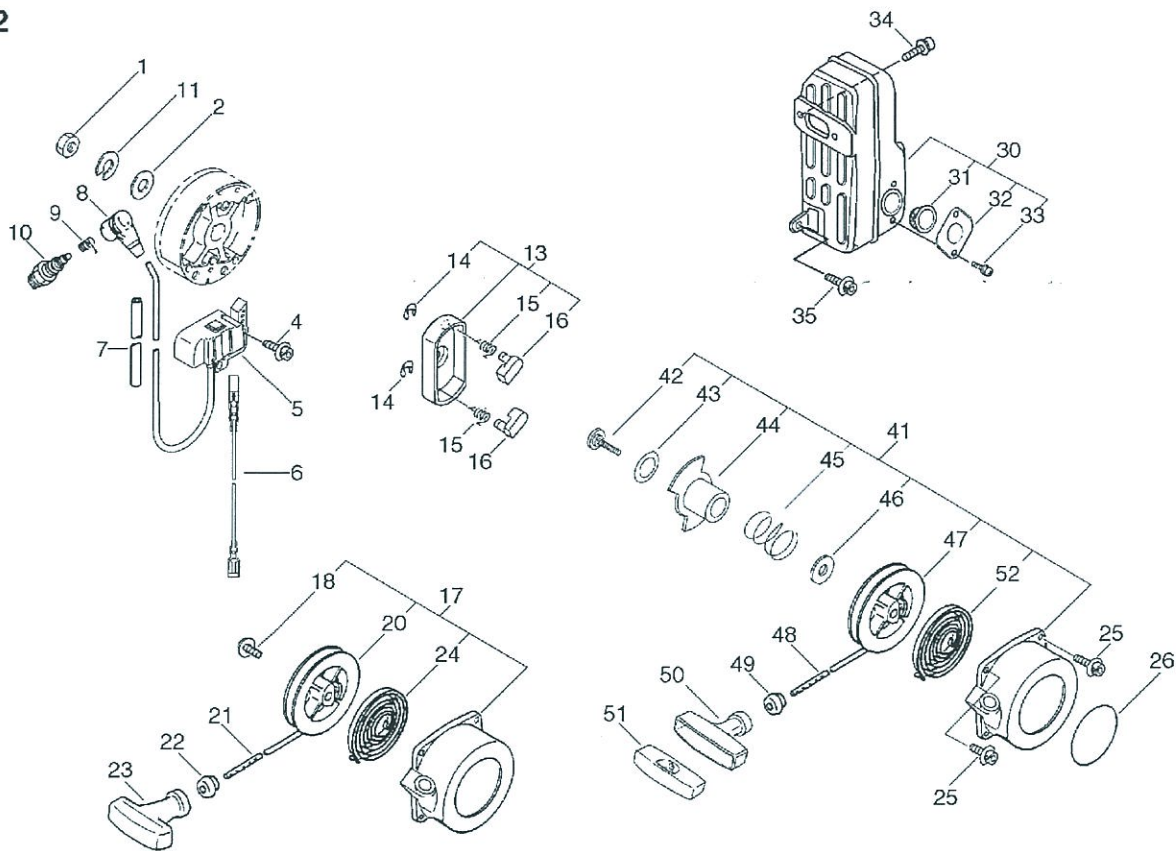


PB-650, -1--1, Cylinder, Crankcase, Piston
 PB-650, 2008/11/28

Key	Lv	Part no.	Part description	Quantity	Note1	Note2
1		A130-000250	CYLINDER	1	Sus. by A130-000251	
1		A130-000251	CYLINDER	1		
2		900162-05022	BOLT, H.S. 5*22	4	Sus. by 900162-05025	
2		900162-05025	BOLT, H.S. 5*25	4		
3		A160-000340	COVER,CYLINDER	1		
4		900106-05008	BOLT, H.S. 5* 8	2		
5		V104-000250	GASKET,EXHAUST	1	Sus. by V104-000720	
5		V104-000600	GASKET,EXHAUST	1	Sus. by V104-000720	
5		V104-000720	GASKET,EXHAUST	1		
6		V100-000050	GASKET,CYL	1	Sus. by V100-000051	
6		V100-000051	GASKET,CYL	1		
8		P021-002980	PISTON KIT	1	Sus. by P021-002982	
8		P021-002981	PISTON KIT	1	Sus. by P021-002982	
8		P021-002982	PISTON KIT	1		
9	+	A101-000030	RING,PISTON	1		
10	+	A101-000020	RING,PISTON	1		
11	+	V608-000010	PIN,ENG 10	1		
12	+	100015-00120	CIRCLIP, PISTON PIN	2		
13	+	V555-000010	BEARING,NEEDLE 10	1		
14	+	V307-000060	WASHER,CIRCULAR 10	2		
15		A011-000140	CRANKSHAFT,ASM	1		
17		P021-002990	CRANKCASE KIT	1		
18	+	94032-36302	BEARING BALL	2		
19	+	100215-03930	PIN, DOWEL	2		
20	+	900162-05035	BOLT, H.S. 5*35	4		
21	+	V508-000010	SEAL,OIL 15	2		
22	+	V102-000010	GASKET,CRANKCASE	1		
23		900162-06035	BOLT, H.S. 6*35	6		
24		151112-04630	BUSHING	1		
25		159129-08260	COVER, DUST	1		
26		900162-05018	BOLT, H.S. 5*18	1		
33		900323-03014	KEY WOODRUFF	1		

PB-650, -1--1, Starter, Magneto, Muffler
PB-650, 2008/11/28

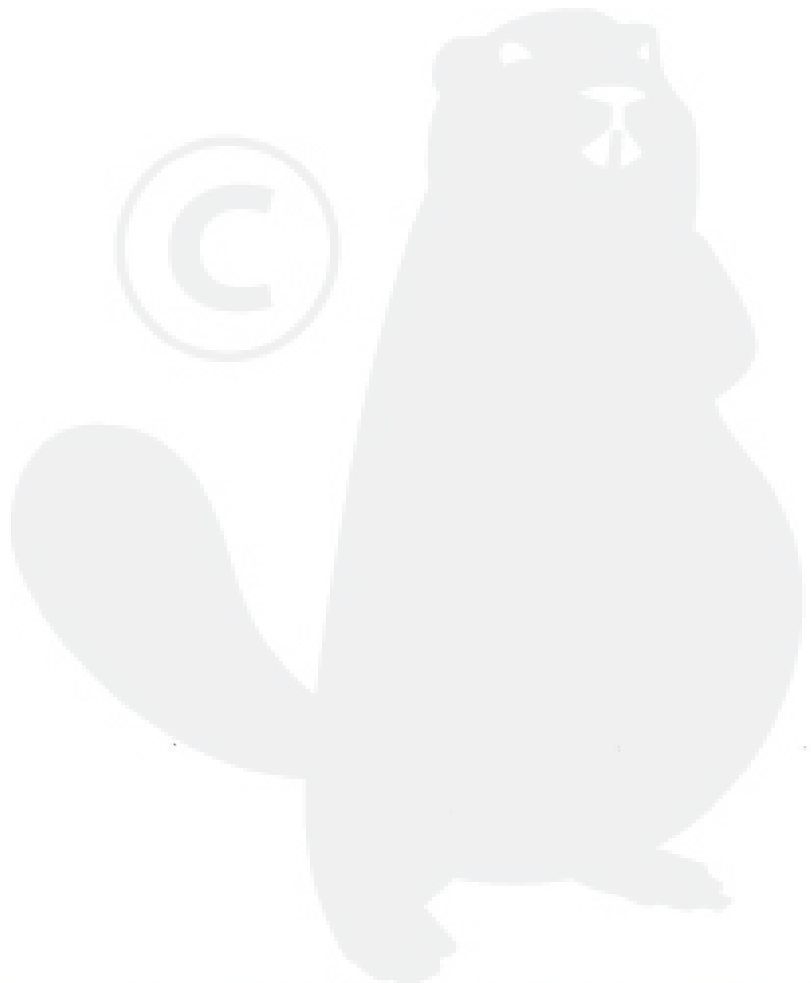
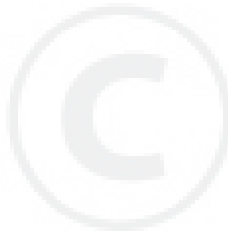
No.2



PB-650, -1--1, Starter, Magneto, Muffler
 PB-650, 2008/11/28

Key	Lv	Part no.	Part description	Quantity	Note1	Note2
1		900501-00010	NUT 10*1.25	1		
2		900602-00010	WASHER 10(10.5*21*2)	1		
4		900162-05018	BOLT, H.S. 5*18	2	Sus. by 900162-05022	
4		900162-05022	BOLT, H.S. 5*22	2		
5		A415-000000	MODULE,CDI	1		
6		V485-000190	LEAD	1		
7		156111-06160	TUBE 6.3*8*380	1		
8		159012-03433	CAP, SPARK PLUG	1		
9		159011-03432	COIL, SPARK PLUG	1		
10		A425-000000	SPARKPLUG	1		
11		900605-00010	WASHER, SPRING 10	1		
13		A052-000040	PULLEY,ASM STARTER	1	Sus. by A052-000042	
13		A052-000041	PULLEY,ASM STARTER	1	Sus. by A052-000042	
13		A052-000042	PULLEY,ASM STARTER	1		
14	+	P022-002100	E-RING	1	Sus. by P022-002100 QTY:2	
14	+	P022-002100	E-RING	2		
15	+	P022-003130	SPRING, RETURN	1	Sus. by P022-003130 QTY:2	
15	+	P022-003130	SPRING, RETURN	2		
16	+	P022-003120	PAWL, STARTER	1	Sus. by P022-003120 QTY:2	
16	+	P022-003120	PAWL, STARTER	2		
17		A051-000200	STARTER,RECOIL	1	Sus. by A051-000840	
18	+	177236-06910	SCREW	1	Sr/Nr 36001599 and before	
20	+	P022-002080	DRUM, STARTER	1	Sr/Nr 36001599 and before	
21	+	177226-06310	ROPE, STARTER	1	Sr/Nr 36001599 and before	
22	+	177227-42030	GUIDE, ROPE	1	Sr/Nr 36001599 and before	
23	+	177228-11620	GRIP, STARTER	1	Sr/Nr 36001599 and before	
24	+	177220-06310	SPRING, REWIND	1	Sr/Nr 36001599 and before	
25		900106-05016	BOLT, H.S. 5*16	4	Sus. by 900106-05014	
25		900106-05014	BOLT, H.S. 5*14	4	Sus. by 900106-05016	
25		900106-05016	BOLT, H.S. 5*16	4		
26		890118-17930	LABEL, ECHO	1		
30		P021-003000	MUFFLER ASY	1		
31	+	A310-000000	SCREEN,ARRESTOR	1		
32	+	A313-000310	GUIDE,EXH	1		

33	+	91367-04010	SCREW	2		
34		91107-06020	BOLT HSH FLANGE	2		

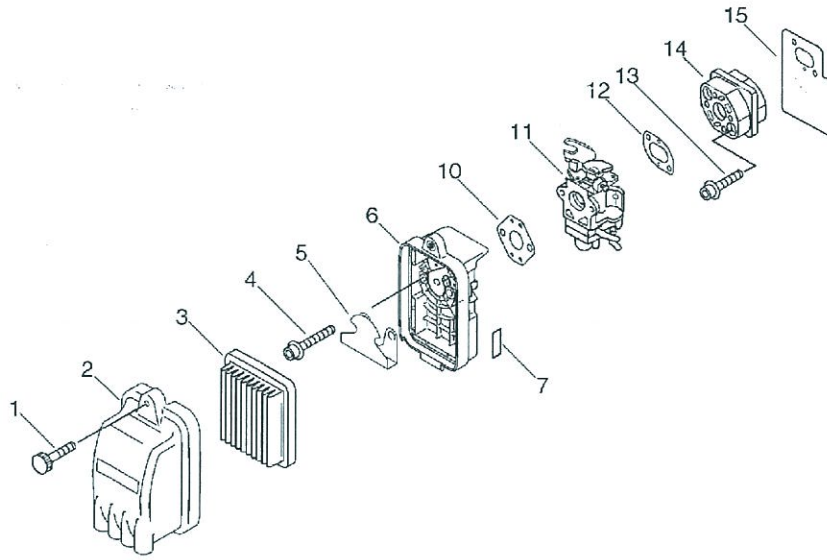


PB-650, -1--1, Starter, Magneto, Muffler
 PB-650, 2008/11/28

Key	Lv	Part no.	Part description	Quantity	Note1	Note2
35		900106-05016	BOLT, H.S. 5*16	1	Sus. by 900106-05014	
41		A051-000840	STARTER,RECOIL	1	Sus. by A051-000841	
41		A051-000841	STARTER,RECOIL	1		
42	+	177236-61830	SCREW	1	Sr/Nr 36001600 and after	
43	+	P022-010250	WASHER, THRUST	1	Sr/Nr 36001600 and after	
44	+	P022-010220	PLATE, FRICTION	1	Sr/Nr 36001600 and after	
45	+	P022-010230	SPRING, FRICTION	1	Sus. by P022-010231	
45	+	P022-010231	SPRING, FRICTION	1	Sr/Nr 36001600 and after	
46	+	P022-010240	WASHER	1	Sr/Nr 36001600 and after	
47	+	P022-010280	DRUM, STARTER	1	Sr/Nr 36001600 and after	
48	+	P022-010270	ROPE	1	Sr/Nr 36001600 and after	
49	+	177227-42030	GUIDE, ROPE	1	Sr/Nr 36001600 and after	
50	+	177228-11620	GRIP, STARTER	1	Sr/Nr 36001600 and after	
51	+	P022-010260	CAP, GRIP	1	Sr/Nr 36001600 and after	
52	+	P022-004680	SPRING, SPIRAL	1	Sr/Nr 36001600 and after	

PB-650, -1--1, Air Cleaner
PB-650, 2008/11/28

No.3



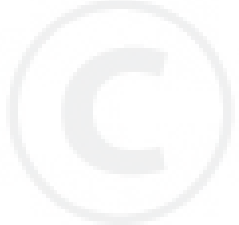
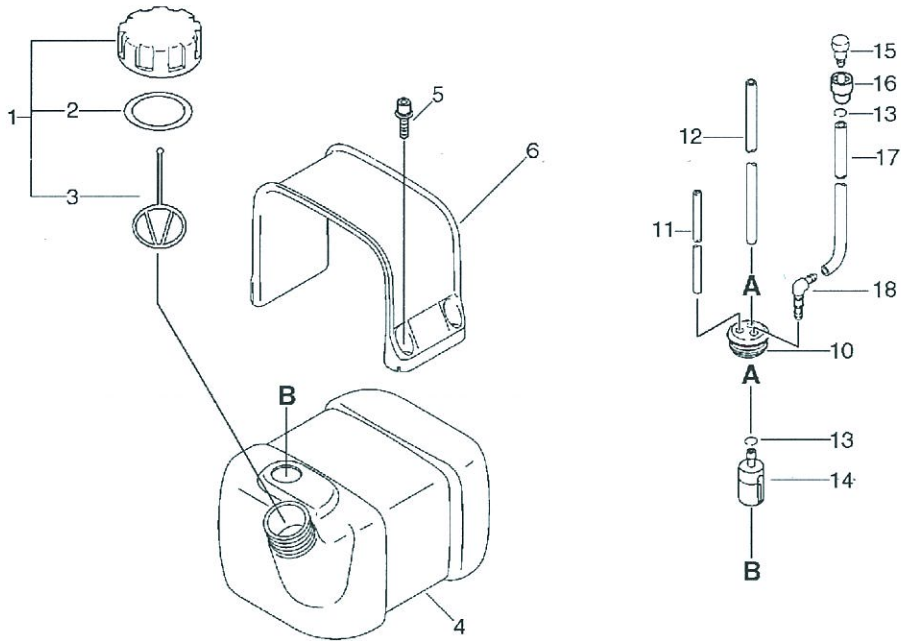
PB-650, -1--1, Air Cleaner
 PB-650, 2008/11/28

Key	Lv	Part no.	Part description	Quantity	Note1	Note2
1		130406-20660	THUMB	1	Sus. by V299-000290	
1		V299-000290	KNOB,FASTENER	1		
2		A232-000080	LID,CLEANER	1		
3		A226-000031	ELEMENT,AIR FILTER	1		
4		900105-05060	BOLT, H.S. 5*60	2		
5		129011-08260	PLATE	1	Sus. by A244-000040	
5		A244-000040	PLATE,PREVENT	1		
6		P021-002521	CLEANER CASE ASY	1		
7		890332-52730	LABEL, CHOKE	1		
10		V103-000080	GASKET,INTAKE	1		
11		A021-000310	CARBURETOR,DIAPHRAGM	1	Sus. by A021-000311	
11		A021-000311	CARBURETOR,DIAPHRAGM	1		
12		V103-000140	GASKET,INTAKE	1		
13		900106-05025	BOLT, H.S. 5*25	2		
14		A200-000070	INSULATOR,INTAKE	1		
15		V103-000130	GASKET,INTAKE	1		



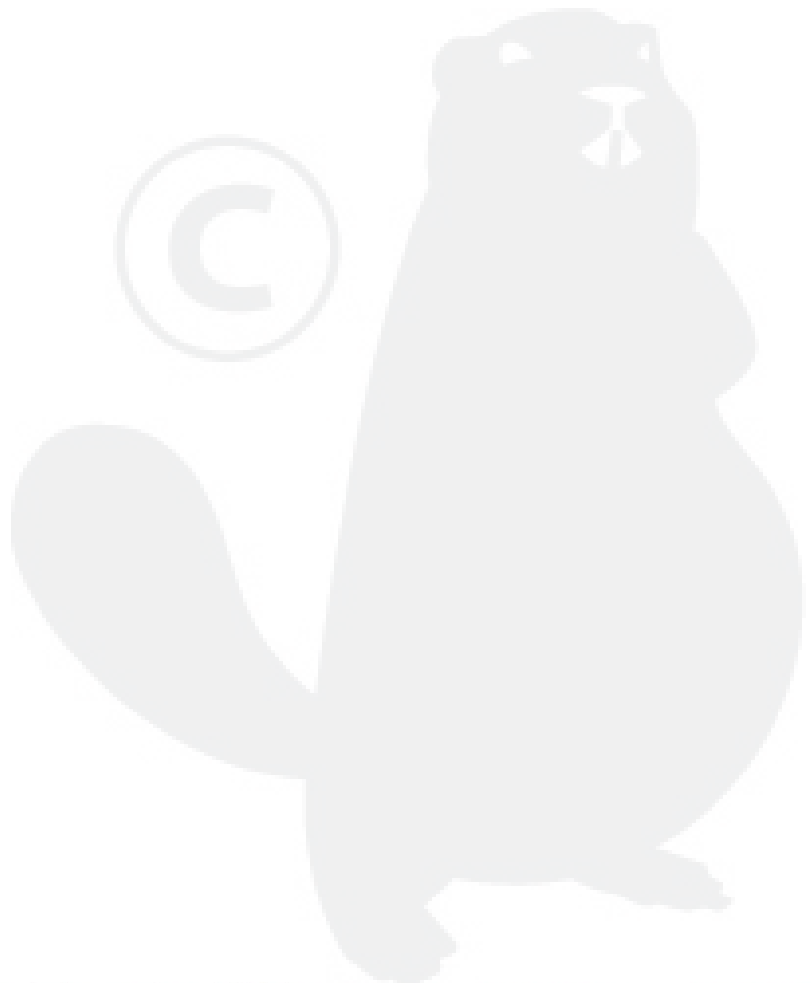
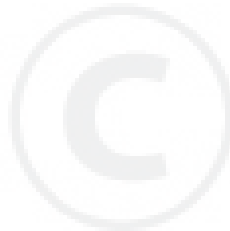
PB-650, -1--1, Fuel Tank
PB-650, 2008/11/28

No.4



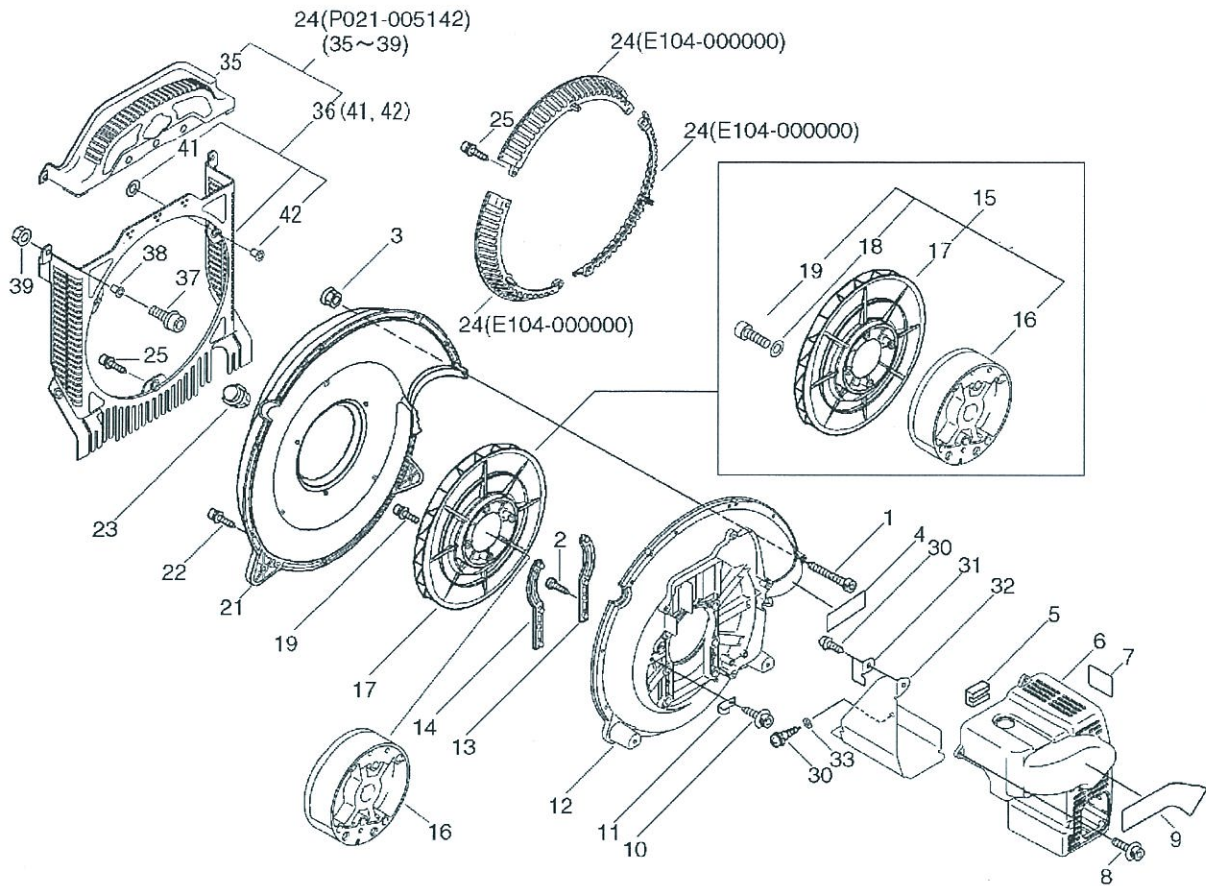
PB-650, -1--1, Fuel Tank
 PB-650, 2008/11/28

Key	Lv	Part no.	Part description	Quantity	Note1	Note2
1		131004-55530	CAP ASSY, FUEL TANK	1		
2	+	131016-55830	GASKET, FUEL CAP	1		
3	+	131051-56030	CLIP, FUEL CAP	1		
4		A350-000150	TANK,FUEL	1	Sus. by A350-000151	
4		A350-000151	TANK,FUEL	1		
5		900106-05020	BOLT, H.S. 5*20	4	Sus. by 900106-05014	
5		900106-05016	BOLT, H.S. 5*16	4	Sus. by 900106-05014	
5		900106-05014	BOLT, H.S. 5*14	4		
6		A392-000000	BAND,FUEL TANK	1		
10		132115-55930	GROMMET, FUEL	1		
11		V471-000550	PIPE	1		
12		132010-35430	PIPE 3*6*230	1		
13		132013-26630	CLIP	2		
14		131205-19830	STRAINER, FUEL	1		
15		131300-56430	VALVE, CHECK	1	Sus. by A356-000030	
15		A356-000030	VALVE,CHECK	1		
16		131328-40630	COVER, VENT	1		
17		V471-000610	PIPE	1		
18		V186-000080	JOINT,PIPE	1		



PB-650, -1--1, Fan Case
PB-650, 2008/11/28

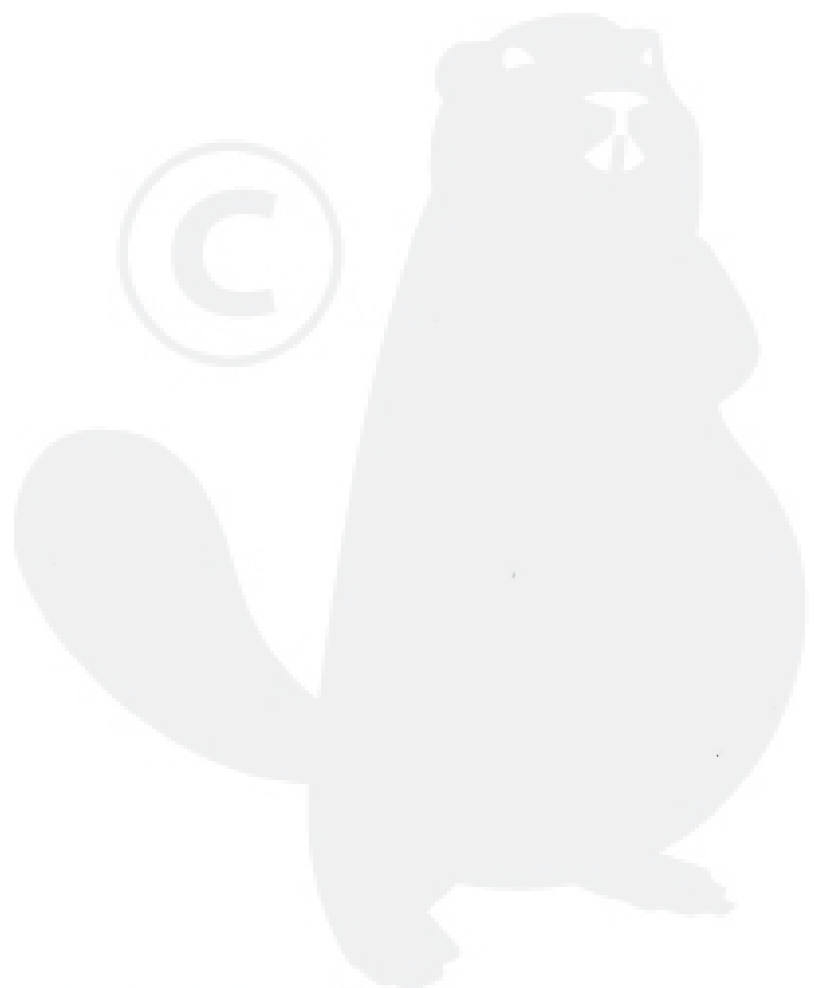
No.5



PB-650, -1--1, Fan Case
 PB-650, 2008/11/28

Key	Lv	Part no.	Part description	Quantity	Note1	Note2
1		900105-05060	BOLT, H.S. 5*60	2		
2		900246-05014	SCREW 5*14	2		
3		900516-00005	NUT, FRANGE 5	2		
4		890160-09461	LABEL, CAUTION	1		
5		V420-000570	CUSHION	1		
6		A190-000110	COVER,ENGINE	1	Sus. by A190-000111	
6		A190-000111	COVER,ENGINE	1		
7		890160-06361	LABEL, CAUTION	1		
8		91145-05020	BOLT HS TAPPING	4		
9		X503-002650	LABEL,MODEL	1	Sus. by X503-002651	
9		X503-002651	LABEL,MODEL	1		
10		91145-05016	BOLT HS TAPPING	1		
11		178111-22330	CLIP	1		
12		E103-000130	CASE,FAN	1	Sus. by E103-000133	
12		E103-000131	CASE,FAN	1	Sus. by E103-000133	
12		E103-000132	CASE,FAN	1	Sus. by E103-000133	
12		E103-000133	CASE,FAN	1		
13		C632-000050	PLATE,ENG	1	Sus. by C632-000051	
13		C632-000051	PLATE,ENG	1	Sr/Nr 36006296 and before	
13		C632-000052	PLATE,ENG	1	Sr/Nr 36006297 and after	
14		C632-000040	PLATE,ENG	1	Sus. by C632-000041	
14		C632-000041	PLATE,ENG	1	Sr/Nr 36006296 and before	
14		C632-000042	PLATE,ENG	1	Sr/Nr 36006297 and after	
15		P021-009560	FAN,BLOWER KIT	1	Sr/Nr 36002219 and after	
16		A409-000110	ROTOR,MAGNETO	1	Sr/Nr 36002218 and before	
16	+	A409-000250	ROTOR, MAGNETO	1	Can be used on the P021-009560	
17		E100-000040	FAN,BLOWER	1	Sr/Nr 36002218 and before	
17	+	E100-000041	FAN,BLOWER	1	Can be used on the P021-009560	
18	+	145642-06230	WASHER	4	Can be used on the P021-009560	
19		900106-05030	BOLT, H.S.H. 5*30	4	Sr/Nr 36002218 and before	
19	+	900105-06035	BOLT, H.S. 6*35	4	Can be used on the P021-009560	

21	E103-000140	CASE,FAN	1	Sus. by E103-000141	
21	E103-000141	CASE,FAN	1		
22	91145-05020	BOLT HS TAPPING	12		
23	E109-000010	LID,FANCASE	1		
24	E104-000000	GRID,BLOWER	3	Sr/Nr 35003140 and before	

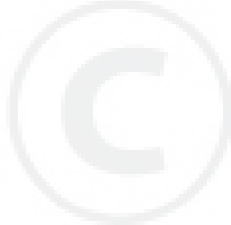
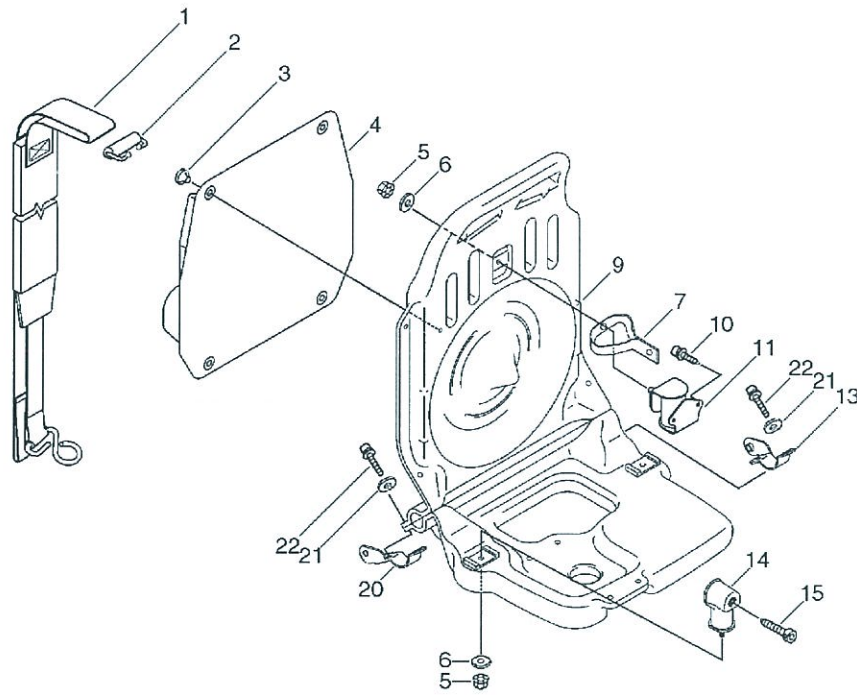


PB-650, -1--1, Fan Case
 PB-650, 2008/11/28

Key	Lv	Part no.	Part description	Quantity	Note1	Note2
24		P021-005140	GRID,BLOWER SET	1	Sus. by P021-005143	
24		P021-005141	GRID,BLOWER SET	1	Sus. by P021-005143	
24		P021-005142	GRID,BLOWER SET	1	Sus. by P021-005143	
24		P021-005143	GRID,BLOWER SET	1	Sr/Nr 35003141 and after	
35	+	E104-000040	GRID,BLOWER	1	Sus. by E104-000041	
35	+	E104-000041	GRID,BLOWER	1	Can not be used on the E104-000000	
36	+	E104-000030	GRID,BLOWER	1	Sus. by P021-005611	
36	+	P021-005610	GRID,BLOWER	1	Sus. by P021-005611	
36	+	P021-005611	GRID,BLOWER SET	1	Can not be used on the E104-000000	
41	++	613019-07350	WASHER 5.5*16*2T	2	Can not be used on the E104-000000	
42	++	104915-08260	SPACER	2	Can not be used on the E104-000000	
37	+	900106-05020	BOLT, H.S. 5*20	4	Can not be used on the E104-000000	
38	+	104915-08260	SPACER	4	Can not be used on the E104-000000	
39	+	900516-00005	NUT, FRANGE 5	4	Sus. by 9005625-0005	
39	+	9005625-0005	LOCKNUT 5	4	Can not be used on the E104-000000	
25		91145-05020	BOLT HS TAPPING	3		
30		900253-05010	SCREW 5*10	2		
31		V152-000770	PLATE,ANGLE	1		
32		A322-000020	INSULATOR,MUFFLER	1		
33		900603-00005	WASHER 5	1		

PB-650, -1--1, Harness
PB-650, 2008/11/28

No.6

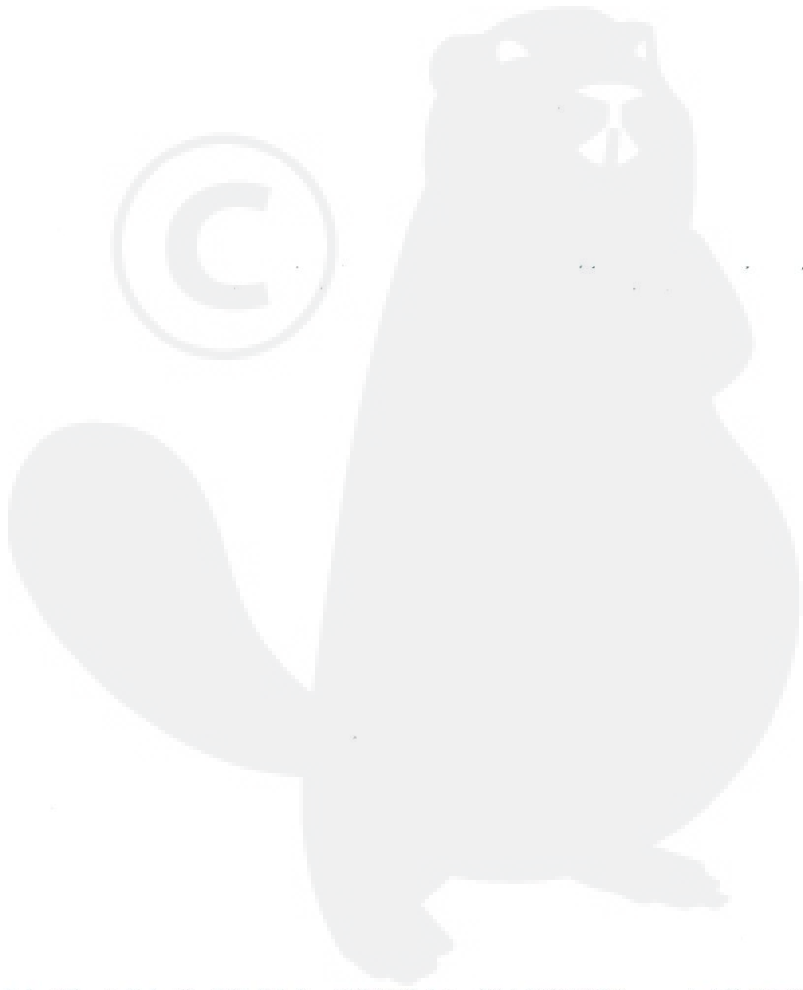
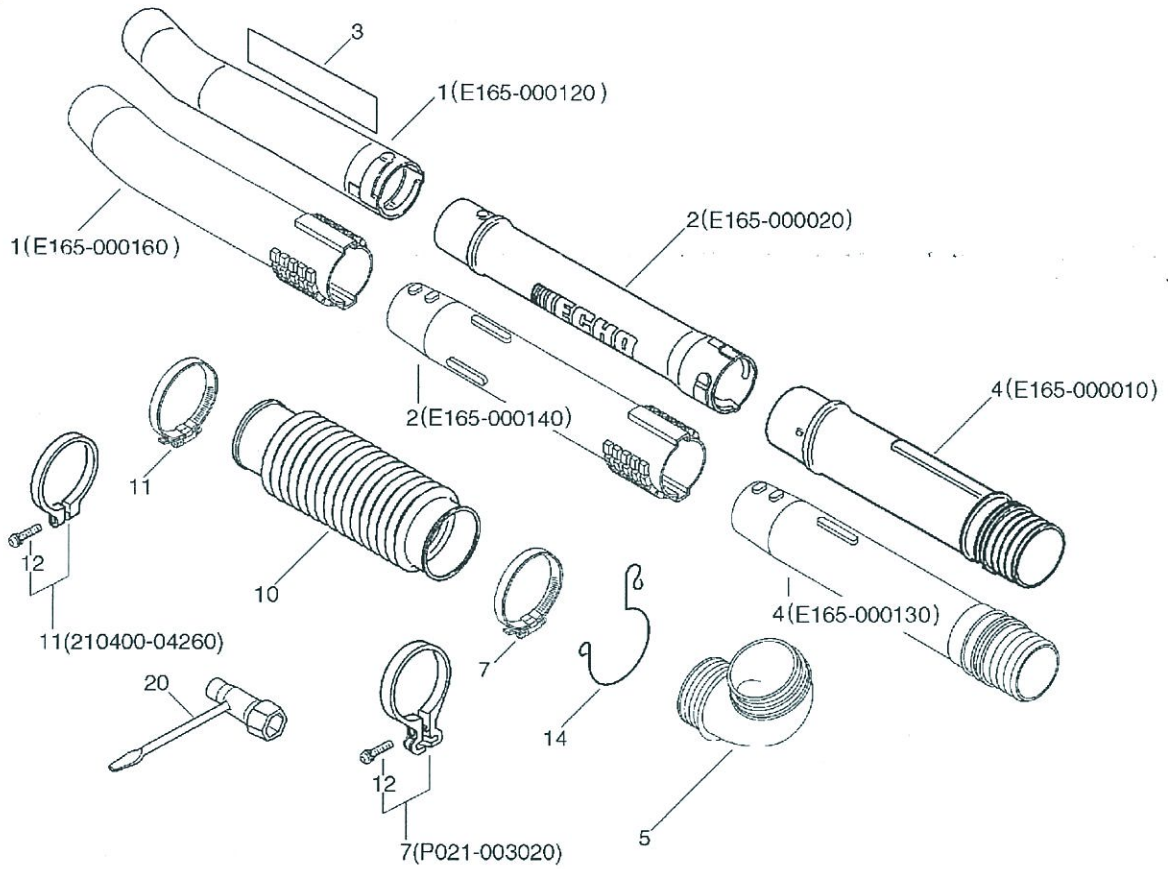


PB-650, -1--1, Harness
 PB-650, 2008/11/28

Key	Lv	Part no.	Part description	Quantity	Note1	Note2
1		C061-000060	HARNESS,ASM BACKPACK	2	Sus. by C061-000110	
1		C061-000110	HARNESS,ASM BACKPACK	2		
2		V491-000040	CLIP	2		
3		300333-06160	CLIP	4	Sus. by V491-000120	
3		V491-000120	CLIP	4		
4		300105-08260	CUSHION, KNAPSACK	1	Sus. by 300105-08261	
4		300105-08261	CUSHION, KNAPSACK	1		
5		900516-00005	NUT, FRANGE 5	3		
6		613019-07350	WASHER 5.5*16*2T	3		
7		C617-000150	STOPPER	1		
9		C066-000000	FRAME,ASM BACKPACK	1	Sus. by C066-000004	
9		C066-000001	FRAME,ASM BACKPACK	1	Sus. by C066-000004	
9		C066-000002	FRAME,ASM BACKPACK	1	Sus. by C066-000004	
9		C066-000003	FRAME,ASM BACKPACK	1	Sus. by C066-000004	
9		C066-000004	FRAME,ASM BACKPACK	1		
10		91145-05016	BOLT HS TAPPING	2		
11		100905-08260	CUSHION	1	Sus. by 100905-08261	
11		100905-08261	CUSHION	1		
13		C626-000010	FIXTURE,HARNESS	1		
14		V401-000070	CUSHION,5	2		
15		91145-05016	BOLT HS TAPPING	2		
20		C626-000030	FIXTURE,HARNESS	1		
21		613019-07350	WASHER 5.5*16*2T	4		
22		900105-05020	BOLT, H.S. 5*20	4		

PB-650, -1--1, Pipe, Tool
PB-650, 2008/11/28

No.7



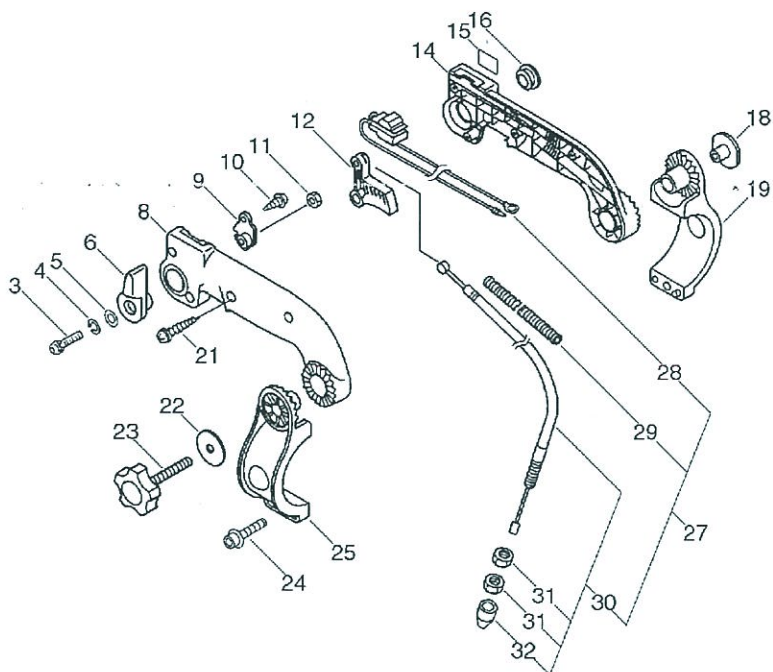
PB-650, -1--1, Pipe, Tool
 PB-650, 2008/11/28

Key	Lv	Part no.	Part description	Quantity	Note1	Note2
1		E165-000120	PIPE,BLOWER	1	Sr/Nr 35006224 and before	
1		E165-000160	PIPE,BLOWER	1	Sr/Nr 35006225 and after	
2		E165-000020	PIPE,BLOWER	1	Sr/Nr 35006224 and before	
2		E165-000140	PIPE,BLOWER	1	Sr/Nr 35006225 and after	
3		X502-000060	LABEL,ECHO	2	Sus. by 890118-04262	
3		890118-04262	LABEL, ECHO	2		
4		E165-000010	PIPE,BLOWER	1	Sr/Nr 35006224 and before	
4		E165-000130	PIPE,BLOWER	1	Sr/Nr 35006225 and after	
5		E160-000071	PIPE,MAIN	1	Sus. by E160-000091	
5		E160-000090	PIPE,MAIN	1	Sus. by E160-000091	
5		E160-000091	PIPE,MAIN	1		
7		P021-003020	CLAMP W/SCREW	1	Sus. by V495-000440	
7		V495-000440	BAND	1		
12	+	900235-05025	SCREW 5*25	1	Sus. by V495-000440	
10		E164-000030	PIPE,FLEXIBLE	1	Sus. by E164-000051	
10		E164-000050	PIPE,FLEXIBLE	1	Sus. by E164-000051	
10		E164-000051	PIPE,FLEXIBLE	1		
11		210400-04260	CLAMP W/SCREW	1	Sus. by V495-000430	
11		V495-000430	BAND	1		
12	+	900235-05025	SCREW 5*25	1	Sus. by V495-000430	
14		V490-000230	CLIP	1		
20		895410-03930	WRENCH, W/S. DRIVER	1		

PB-650, -1--1, Throttle

PB-650, 2008/11/28

No.8

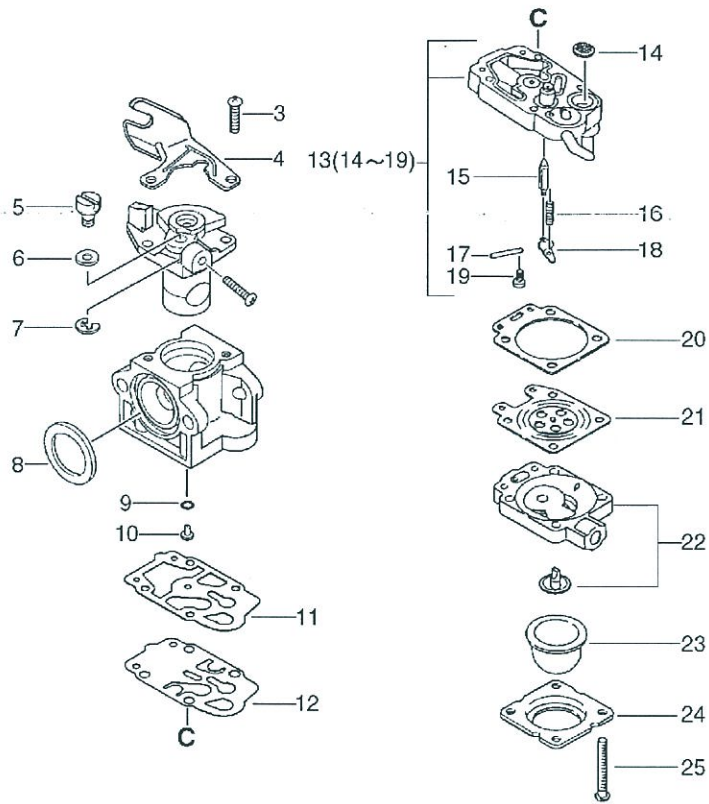


PB-650, -1--1, Throttle
 PB-650, 2008/11/28

Key	Lv	Part no.	Part description	Quantity	Note1	Note2
3		900235-06020	SCREW 6*20	1		
4		900605-00006	WASHER, SPRING 6	1		
5		900603-00006	WASHER 6	1		
6		178054-07560	CONTRTOL, THROTTLE	1		
8		351315-07560	HANDLE, FRONT	1		
9		178123-07561	BRACKET, THROTTLE	1		
10		900245-04010	SCREW 4*10	1		
11		900500-00006	NUT 6	1		
12		178010-07560	CONTROL, THROTTLE	1	Sus. by 178010-07561	
12		178010-07561	CONTROL, THROTTLE	1		
14		351311-07560	HANDLE, FRONT	1		
15		890157-06560	LABEL, SWITCH	1		
16		351146-07560	PLUG	1		
18		178021-08260	NUT, THROTTLE ROD	1		
19		C405-000030	BRACKET,HANDLE	1		
21		900256-04022	SCREW 4*22	4		
22		178516-07560	WASHER 6	1		
23		305812-08260	KNOB, FASTENER	1		
24		91145-05020	BOLT HS TAPPING	1		
25		C405-000020	BRACKET,HANDLE	1		
27		V043-000000	CABLE,ASM CONTROL	1	Sus. by V043-000040	
27		V043-000040	CABLE ASY, CONTROL	1		
28	+	A440-000350	SWITCH,ON OFF	1	Sus. by A440-000660	
28	+	A440-000660	SWITCH, ON OFF	1		
29	+	V475-002100	TUBE	1	Sus. by V475-003210	
29	+	V475-003210	TUBE	1		
30	+	V430-000450	CABLE,BOWDEN	1		
31	++	900503-00006	NUT (3N 6*0.75)	2		
32	++	V494-000080	CAP	1		

PB-650, -1--1, Carburetor
PB-650, 2008/11/28

No.9



PB-650, -1--1, Carburetor
 PB-650, 2008/11/28

Key	Lv	Part no.	Part description	Quantity	Note1	Note2
		A021-000310	CARBURETOR,DIAPHRAGM	1	Sus. by A021-000311	
		A021-000311	CARBURETOR,DIAPHRAGM	1		
3	+	123114-40630	SCREW	2		
4	+	P003-000180	BRACKET CABLE	1		
5	+	123172-45130	SWIVEL	1		
6	+	123149-54230	WASHER	1		
7	+	123173-07930	CLIP	1		
8	+	123143-12110	RING, PACKING	1		
9	+	123183-40630	O-RING	1		
10	+	P003-000640	JET	1		
11	+	123125-40630	GASKET, PUMP	1		
12	+	123112-40630	DIAPHRAGM, PUMP	1		
13	+	P003-000630	BODY ASSEMBLY, PUMP	1		
14	++	123126-10631	SCREEN, INLET	1		
15	++	123137-19830	VALVE, INLET NEEDLE	1		
16	++	123122-05560	SPRING, METER. LEVER	1		
17	++	123138-03930	PIN, METERING LEVER	1		
18	++	123123-03930	LEVER, METERING	1		
19	++	123139-05560	SCREW, M. LEVER PIN	1		
20	+	123140-05560	GASKET, M. DIAPHRAGM	1		
21	+	P003-000090	METERING, DIAPHRAGM	1		
22	+	123180-05560	BODY, AIR PURGE	1		
23	+	123181-40630	PUMP, PRIMER	1		
24	+	123142-05560	COVER, PRIMER PUMP	1		
25	+	123110-05560	SCREW, PUMP COVER	4		

PB-650, -1--1, Repair Kit
PB-650, 2008/11/28



PB-650, -1--1, Repair Kit
 PB-650, 2008/11/28

Key	Lv	Part no.	Part description	Quantity	Note1	Note2
		P003-000650	GASKET/DIAPHRAGM KIT	1		
9-8	+	123143-12110	RING, PACKING	1		
9-11	+	123125-40630	GASKET, PUMP	1		
9-12	+	123112-40630	DIAPHRAGM, PUMP	1		
9-20	+	123140-05560	GASKET, M. DIAPHRAGM	1		
	+	123183-54230	O-RING	1		
	+	123183-12110	O-RING	1		
	+	123143-12210	RING, PACKING	1		
	+	123183-05960	O-RING	1		
	+	123140-02960	GASKET, M. DIAPHRAGM	1		
	+	123159-40630	GASKET, PLATE	1		
	+	123141-03930	DIAPHRAGM, METERING	1		
		P003-000660	REPAIR KIT	1		
9-8	+	123143-12110	RING, PACKING	1		
9-11	+	123125-40630	GASKET, PUMP	1		
9-12	+	123112-40630	DIAPHRAGM, PUMP	1		
9-14	+	123126-10631	SCREEN, INLET	1		
9-15	+	123137-19830	VALVE, INLET NEEDLE	1		
9-17	+	123138-03930	PIN, METERING LEVER	1		
9-18	+	123123-03930	LEVER, METERING	1		
9-20	+	123140-05560	GASKET, M. DIAPHRAGM	1		
	+	123183-54230	O-RING	1		
	+	123183-12110	O-RING	1		
	+	123143-12210	RING, PACKING	1		
	+	123183-05960	O-RING	1		
	+	123140-02960	GASKET, M. DIAPHRAGM	1		
	+	123159-40630	GASKET, PLATE	1		
	+	123141-03930	DIAPHRAGM, METERING	1		