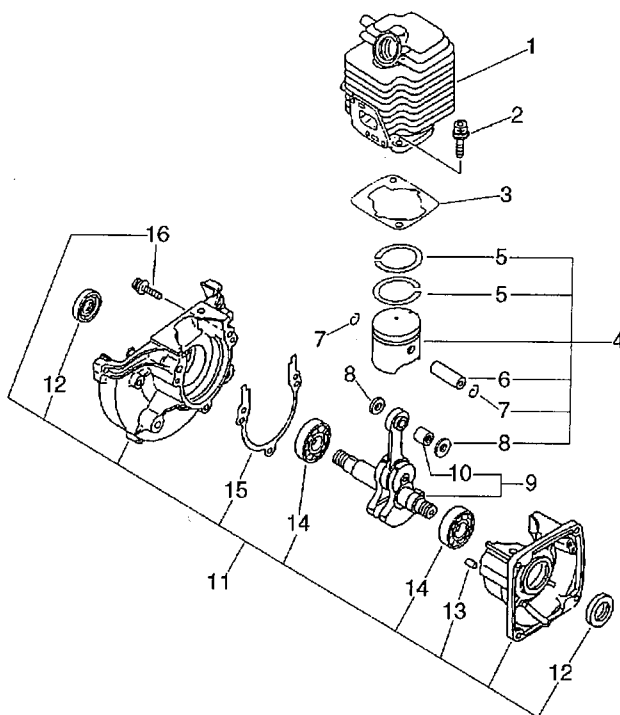


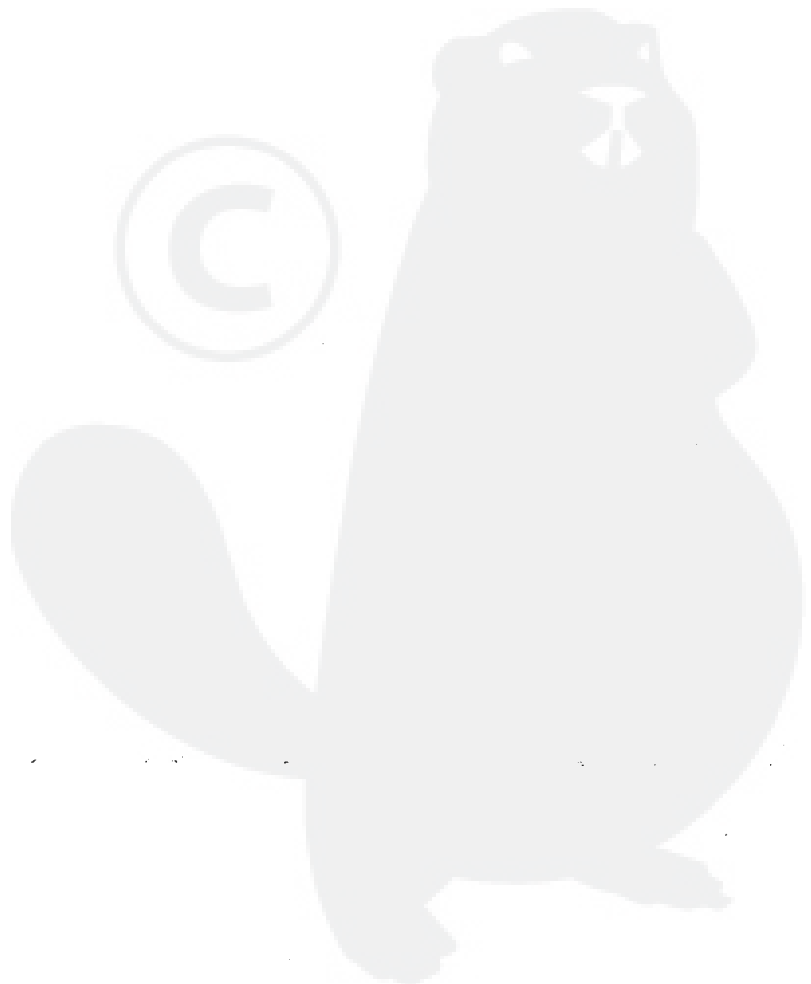
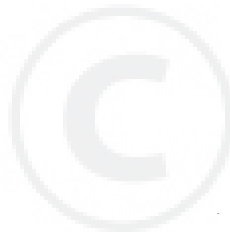
PB-2100(6digits)(35)(36), -1--1, Cylinder, Crankcase, Piston
PB-2100(6digits)(35)(36), 2008/11/28



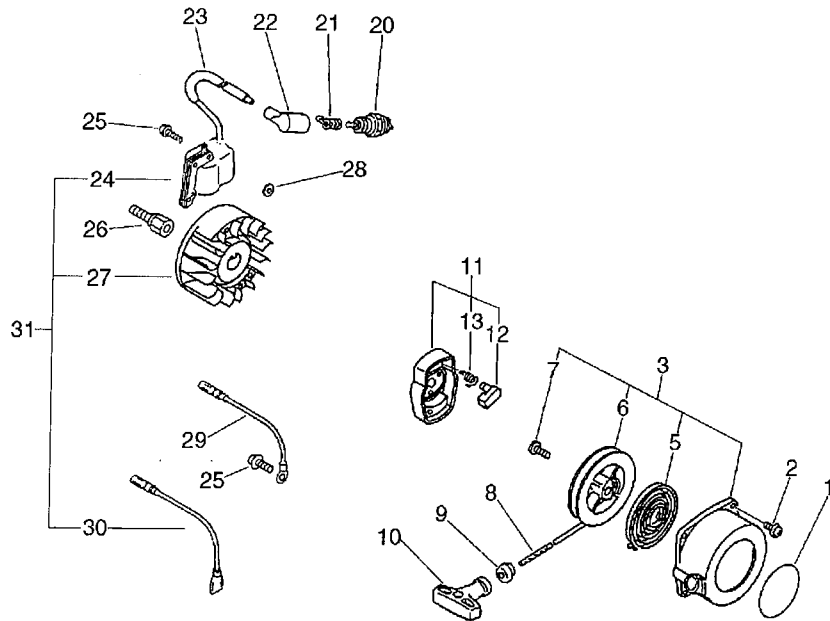
PB-2100(6digits)(35)(36), -1--1, Cylinder, Crankcase, Piston
 PB-2100(6digits)(35)(36), 2008/11/28

Key	Lv	Part no.	Part description	Quantity	Note1	Note2
1		101011-06560	CYLINDER	1	Sus. by 101011-06562	
1		101011-06561	CYLINDER	1	Sus. by 101011-06562	
1		101011-06562	CYLINDER	1	Sr/Nr 058324 and before	
1		A130-000020	CYLINDER	1	Sus. by A130-000021	
1		A130-000021	CYLINDER	1	Sr/Nr 058325 and after	
2		900162-05022	BOLT, H.S. 5*22	2		
3		101010-44332	GASKET, CYL. BASE	1		
4		100000-48730	PISTON KIT	1	Sus. by 100000-48732	
4		100000-48731	PISTON KIT	1	Sus. by 100000-48732	
4		100000-48732	PISTON KIT	1	Sr/Nr 058324 and before	
4		P021-000410	PISTON KIT	1	Sus. by P021-001101	
4		P021-000411	PISTON KIT	1	Sus. by P021-001101	
4		P021-001101	PISTON KIT	1	Sr/Nr 058325 and after	
4		P021-001102	PISTON KIT	1		
5	+	100011-05330	RING, PISTON	2	Sr/Nr 058324 and before	
5	+	A101-000000	RING,PISTON	2	Sr/Nr 058325 and after	
6	+	100013-11520	PIN, PISTON	1		
7	+	100015-04630	CIRCLIP, PISTON PIN	2		
8	+	100014-11520	SPACER, PISTON PIN	2		
9		100100-54130	CRANKSHAFT ASSY	1	Sus. by 100100-44732	
9		100100-44732	CRANKSHAFT ASSY	1	Sr/Nr 065381 and before	
9		A011-000150	CRANKSHAFT,ASM	1	Sr/Nr 065382 and after	
10	+	100012-51230	BEARING, NEEDLE	1		
11		100204-52130	CRANKCASE KIT	1	Sus. by 100204-52132	
11		100204-52131	CRANKCASE KIT	1	Sus. by 100204-52132	
11		100204-52132	CRANKCASE KIT	1		
12	+	100212-42030	OILSEAL	2	Sus. by 100212-42031	
12	+	100212-42031	OILSEAL	2		
13	+	100215-03930	PIN, DOWEL	2		
14	+	900810-36201	BEARING, BALL 6201	2	Sus. by 94035-36201	
14	+	94035-36201	BEARING BALL	2		

15	+	100242-42030	GASKET, CRANKCASE	1		
16	+	900162-05028	BOLT, H.S. 5*28	3		



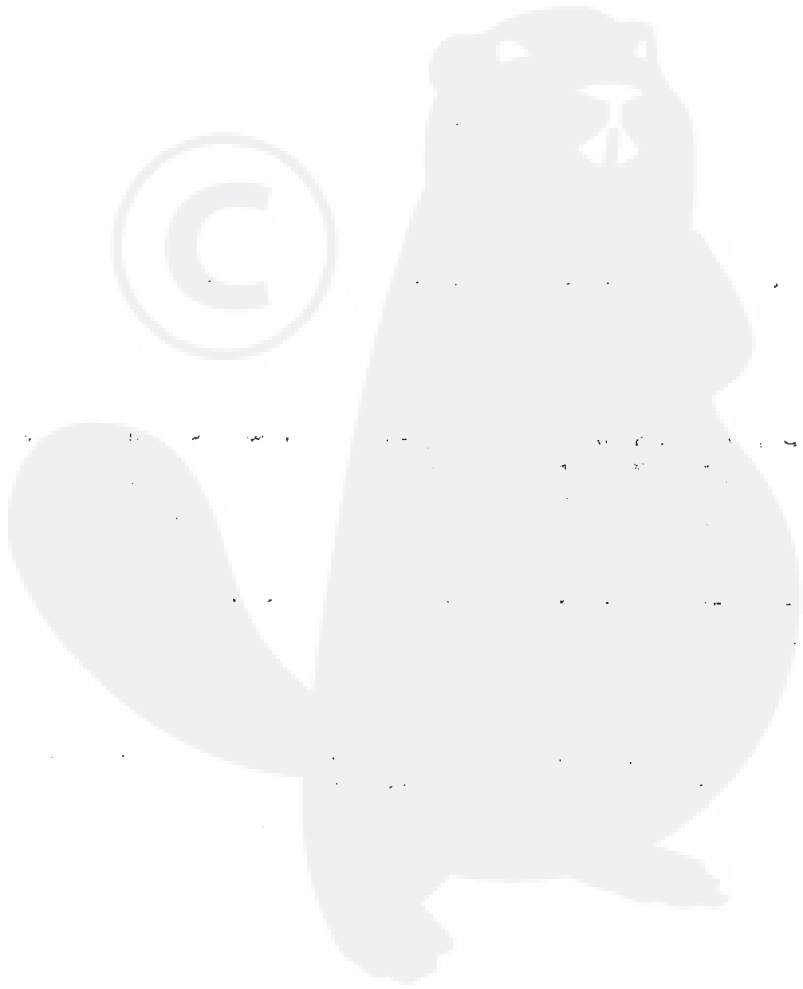
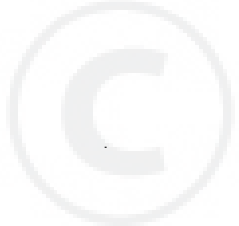
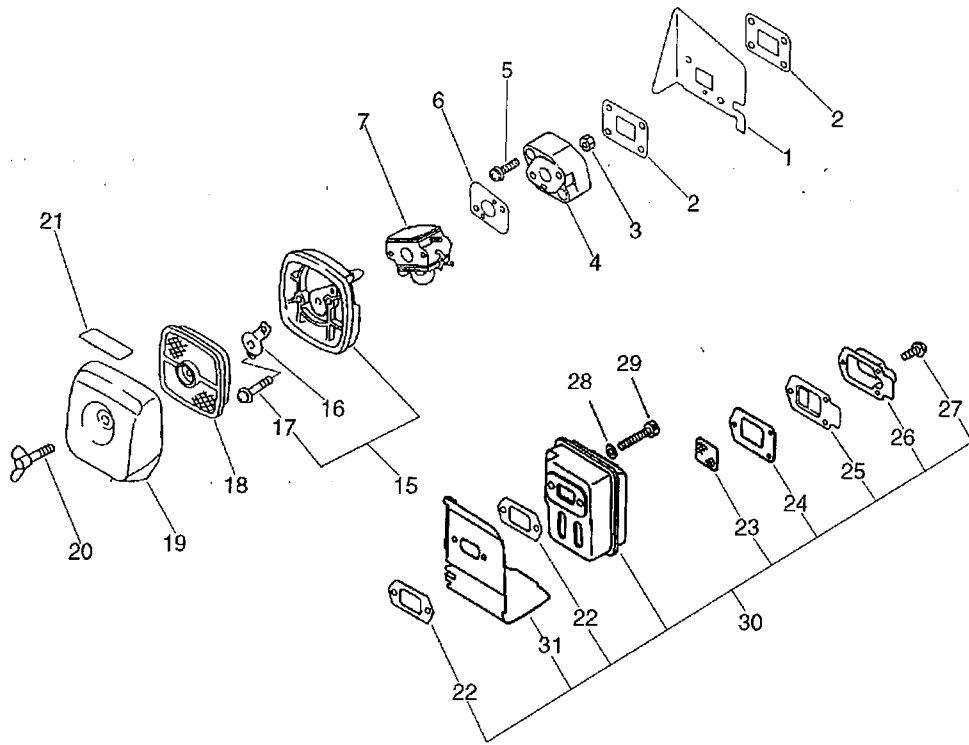
PB-2100(6digits)(35)(36), -1--1, Starter, Magneto
PB-2100(6digits)(35)(36), 2008/11/28



PB-2100(6digits)(35)(36), -1--1, Starter, Magneto
 PB-2100(6digits)(35)(36), 2008/11/28

Key	Lv	Part no.	Part description	Quantity	Note1	Note2
1		890118-49130	LABEL, ECHO	1		
2		900162-04016	BOLT, H.S. 4*16	4	Sus. by 900163-04016	
2		900163-04016	BOLT HSH	4		
3		177200-42033	STARTER ASSY	1		
5	+	177220-42030	SPRING, REWIND	1		
6	+	177215-44430	DRUM, STARTER	1		
7	+	177236-44330	SCREW	1		
8	+	177226-10120	ROPE, STARTER	1		
9	+	177227-42030	GUIDE, ROPE	1		
10	+	177228-06530	GRIP, STARTER	1		
11		177202-44330	PAWL ASSY, STARTER	1	Sus. by A052-000061	
11.		A052-000060	PULLEY,ASM STARTER	1	Sus. by A052-000061	
11		A052-000061	PULLEY,ASM STARTER	1		
12	+	177218-44330	PAWL, STARTER	1		
13	+	177234-42030	SPRING, RETURN	1		
13	+	177234-12220	SPRING, PAWL	1	Can be used on the A052-000060 only	
20		159017-10230	PLUG, SPARK (RCJ-7Y)	1	Sus. by 159010-10230	
20		159010-10230	PLUG, SPARK (BPMR-7A	1		
21		159011-03432	COIL, SPARK PLUG	1		
22		159012-03433	CAP, SPARK PLUG	1		
23		156611-05060	TUBE	1		
24		158626-06360	COIL, IGNITION	1	Sus. by 158626-06361	
24		158626-06361	COIL, IGNITION	1	Sr/Nr 059789 and before	
25		900162-04022	BOLT, H.S. 4*22	2		
26		200011-05661	HUB, FAN	1		
27		158800-20560	ROTOR, MAGNETO	1	Sr/Nr 059789 and before	
28		101531-54330	COLLAR	2	Sr/Nr 059789 and before	
29		162021-20560	LEAD	1		
30		162010-20560	LEAD, GROUND	1	Sr/Nr 059789 and before	
31		P021-001180	MAGNETO ASY	1		
24	+	A411-000020	COIL,IGNITION	1	Sr/Nr 059790 and after	
27	+	A409-000000	ROTOR,MAGNETO	1	Sus. by A409-000100	
27	+	A409-000100	ROTOR,MAGNETO	1	Sr/Nr 059790 and after	
30	+	V485-000040	LEAD	1	Sr/Nr 059790 and after	

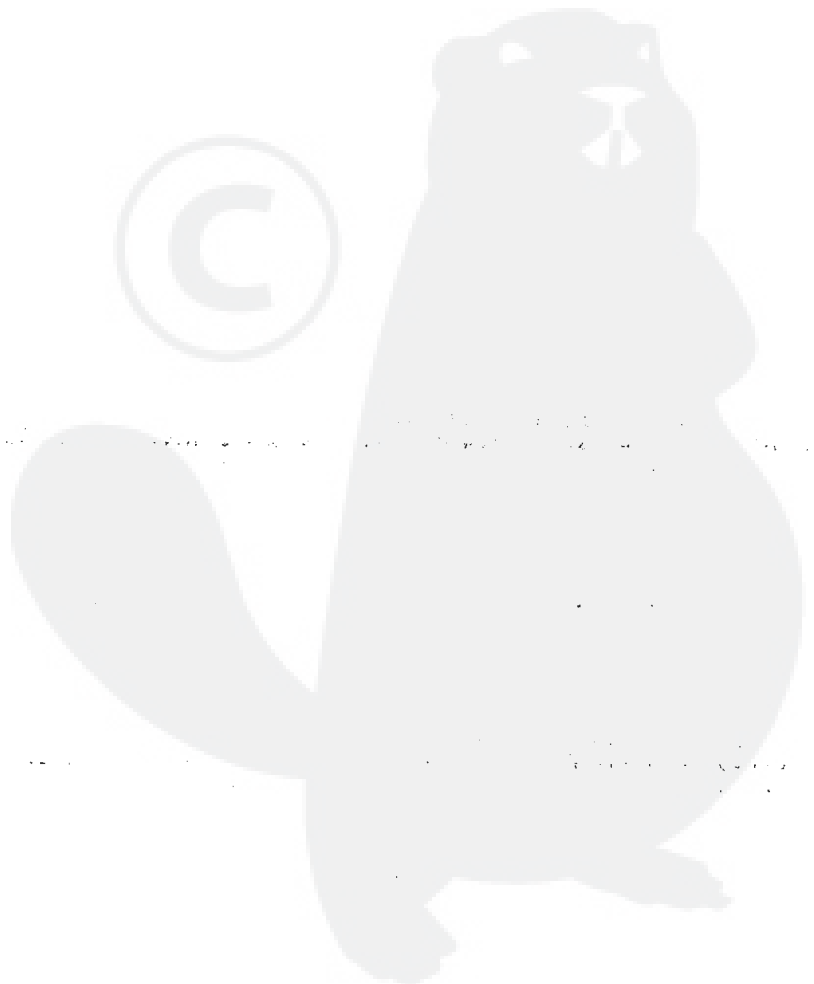
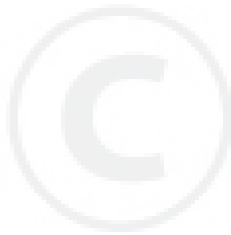
PB-2100(6digits)(35)(36), -1--1, Air Cleaner, Muffler
PB-2100(6digits)(35)(36), 2008/11/28



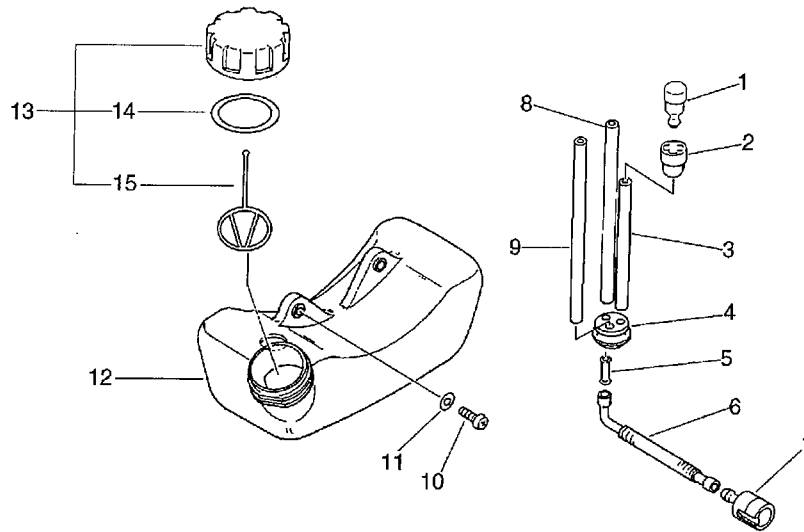
PB-2100(6digits)(35)(36), -1--1, Air Cleaner, Muffler
 PB-2100(6digits)(35)(36), 2008/11/28

Key	Lv	Part no.	Part description	Quantity	Note1	Note2
1		101514-20560	COVER, CYLINDER	1		
2		130010-09561	GASKET, INTAKE	2		
3		900500-00005	NUT 5	2		
4		130017-05062	INSULATOR, INTAKE	1		
5		900238-05022	SCREW 5*22	2		
6		130010-20560	GASKET, INTAKE	1		
7		125200-20560	CARBURETOR ASSY	1	Sus. by 125200-20562	
7		125200-20561	CARBURETOR	1	Sus. by 125200-20562	
7		125200-20562	CARBURETOR	1		
15		130307-06561	CASE, AIR CLEANER	1	Sus. by P021-002921	
15		P021-002921	CASE, AIR CLEANER	1		
17	+	900242-05065	SCREW 5*65	2		
16		129011-52730	PLATE, PREVENT	1		
18		130310-54130	FILTER, AIR	1		
19		130313-06563	LID, AIR CLEANER	1		
20		210417-52730	BOLT, WING	1		
21		890121-05360	LABEL, METERING	1		
30		145800-20560	MUFFLER ASSY	1	Sus. by P021-000962	
30		P021-000960	MUFFLER ASY	1	Sus. by P021-000962	
30		P021-000961	MUFFLER ASY	1	Sus. by P021-000962	
30		P021-000962	MUFFLER ASY	1		
22	+	145510-42031	GASKET, MUFFLER	2	Sus. by V104-000160	
22	+	V104-000160	GASKET, EXHAUST	2		
23	+	145862-40630	SCREEN, MUFFLER	1		
24	+	145866-42031	GASKET, MUFFLER LID	1	Sr/Nr 058324 and before	
24	+	V104-000000	GASKET, EXHAUST	1	Sus. by V104-000003	
24	+	V104-000001	GASKET, EXHAUST	1	Sus. by V104-000003	
24	+	V104-000002	GASKET, EXHAUST	1	Sus. by V104-000003	
24	+	V104-000003	GASKET, EXHAUST	1	Sr/Nr 058325 and after	
25	+	145876-42030	LID, MUFFLER (B)	1		
26	+	145874-20560	ADAPTER	1	Sr/Nr 058324 and before	
26	+	A313-000020	GUIDE, EXH	1	Sr/Nr 058325 and after	
27	+	900242-04010	SCREW 4*10	3		
31	+	145871-05760	COVER, MUFFLER	1		
28		900603-00005	WASHER 5	2		

29	900105-05055	BOLT, H.S. 5*55	2	
----	--------------	-----------------	---	--



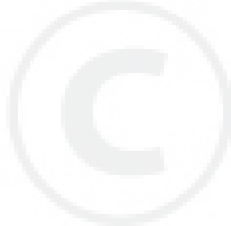
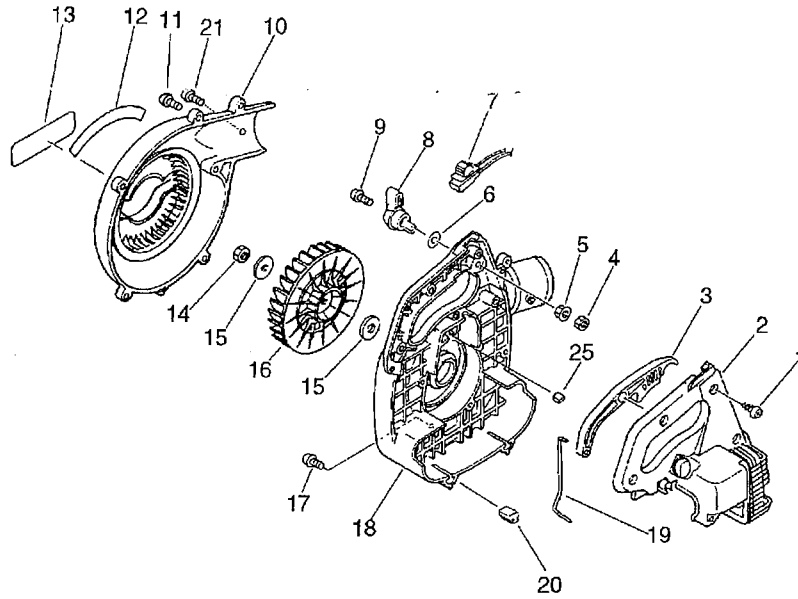
PB-2100(6digits)(35)(36), -1--1, Fuel Tank
PB-2100(6digits)(35)(36), 2008/11/28



PB-2100(6digits)(35)(36), -1--1, Fuel Tank
 PB-2100(6digits)(35)(36), 2008/11/28

Key	Lv	Part no.	Part description	Quantity	Note1	Note2
1		131300-56430	VALVE, CHECK	1	Sus. By A356-000030	
1		A356-000030	VALVE,CHECK	1		
2		131328-40630	COVER, VENT	1		
3		131312-44330	PIPE, 3*5*70L	1	Sus. by V471-001200	
3		131312-39130	PIPE	1	Sus. by V471-001200	
3		V471-001200	PIPE	1		
4		132115-46730	GROMMET, FUEL	1	Sus. by V137-000030	
4		V137-000030	GROMMET,FUEL	1		
5		132011-03360	CONNECTOR, FUEL PIPE	1		
6		132012-12360	PIPE, FUEL	1	Sus. by 132012-12361	
7		131205-07320	STRAINER, FUEL	1		
8		437210-11131	PIPE 3*5*90 NBR	1	Sus. by V471-001210	
8		V471-001210	PIPE	1		
9		132010-56330	PIPE 3*6*90	1		
10		900238-05016	SCREW 5*16	2		
11		900603-00005	WASHER 5	2		
12		131005-20560	TANK, FUEL	1	Sus. by 131005-20561	
12		131005-20561	TANK, FUEL	1		
13		131004-55530	CAP ASSY, FUEL TANK	1		
14	+	131016-55830	GASKET, FUEL CAP	1		
15	+	131051-56030	CLIP, FUEL CAP	1		

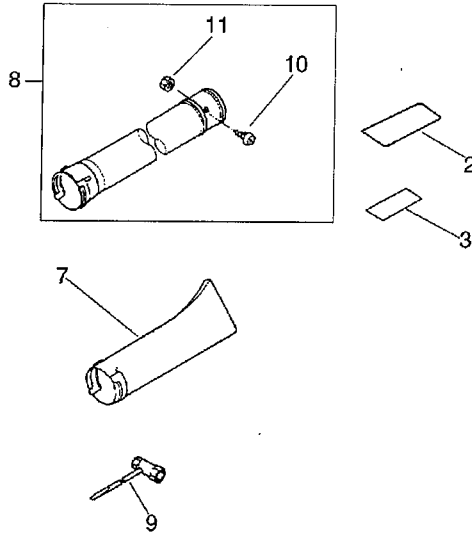
PB-2100(6digits)(35)(36), -1--1, Fan Case
PB-2100(6digits)(35)(36), 2008/11/28



PB-2100(6digits)(35)(36), -1--1, Fan Case
 PB-2100(6digits)(35)(36), 2008/11/28

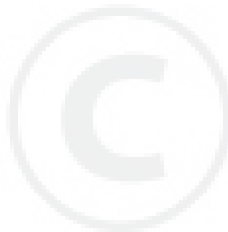
Key	Lv	Part no.	Part description	Quantity	Note1	Note2
1		900253-05020	SCREW 5*20	5	Sus. by 900253-05020 Q'ty:7	
1		900253-05020	SCREW 5*20	7	Can be used on 104012-20561 only	
2		104012-20560	COVER	1	Sus. by 104012-20561	
2		104012-20561	COVER	1		
3		178010-20560	CONTROL, THROTTLE	1		
4		900502-00005	NUT 5 (3N)	1		
5		900516-00005	NUT, FRANGE 5	1		
6		900603-00005	WASHER 5	1		
7		163400-20560	SWITCH, IGNITION	1	Sus. by 163401-20561	
7		163401-20560	SWITCH, IGNITION	1	Sus. by 163401-20561	
7		163401-20561	SWITCH, IGNITION	1		
8		178054-20560	CONTROL, THROTTLE	1		
9		900238-05025	SCREW 5*25	1	Sus. by 91358-05025	
9		91358-05025	SCREW	1		
10		200111-20560	CASE, FAN	1	Sus. by 200111-20561	
10		200111-20561	CASE, FAN	1		
11		900253-05020	SCREW 5*20	6		
12		890115-20560	LABEL, MODEL	1		
13		890118-20560	LABEL, ECHO	1		
14		900500-00008	NUT 8	1		
15		100132-05660	WASHER	2		
16		200010-20560	FAN	1		
17		900162-04022	BOLT, H.S. 4*22	4		
18		200105-20561	CASE, FAN	1	Sus. by P021-003721	
18		200105-20562	CASE, FAN	1	Sus. by P021-003721	
18		P021-003720	CASE,FAN(W/PLUG)	1	Sus. by P021-003721	
18		P021-003721	CASE,FAN(W/PLUG)	1		
25	+	101538-28230	GROMMET,PLUG	1		
19		178011-20560	ROD, THROTTLE	1	Sus. by 178011-20561	
19		178011-20561	ROD, THROTTLE	1		
20		351335-20560	CUSHION	2		
21		900256-05010	SCREW, TAPPING	1		

PB-2100(6digits)(35)(36), -1--1, Pipe, Tool
PB-2100(6digits)(35)(36), 2008/11/28

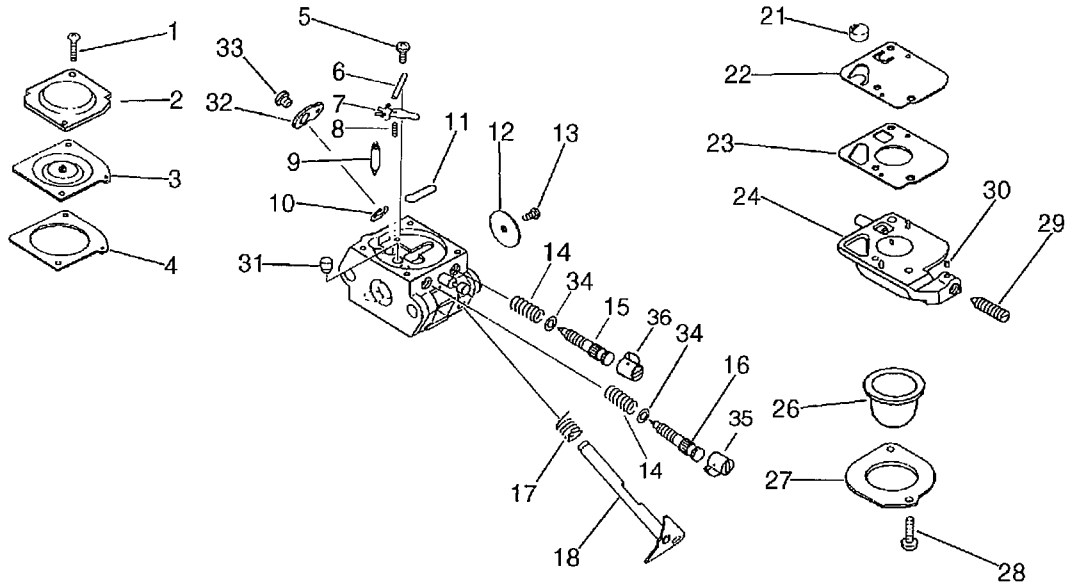


PB-2100(6digits)(35)(36), -1--1, Pipe, Tool
 PB-2100(6digits)(35)(36), 2008/11/28

Key	Lv	Part no.	Part description	Quantity	Note1	Note2
2		890160-09460	LABEL, CAUTION	1	Sus. by 890160-09461	
2		890160-09461	LABEL, CAUTION	1		
3		890160-06360	LABEL, CAUTION	1	Sus. by 890160-06361	
3		890160-06361	LABEL, CAUTION	1	Sus. by X505-002310	
8		210007-20660	PIPE, BLOWER	1		
10	+	900238-05010	SCREW 5*10	1		
11	+	900500-00005	NUT 5	1		
7		210014-20560	PIPE, BLOWER	1	Sus. by 210014-20660	
7		210014-20660	PIPE, STRAIGHT	1		
9		895410-00430	WRENCH, W/S. DRIVER	1		



PB-2100(6digits)(35)(36), -1-1, Carburetor
PB-2100(6digits)(35)(36), 2008/11/28

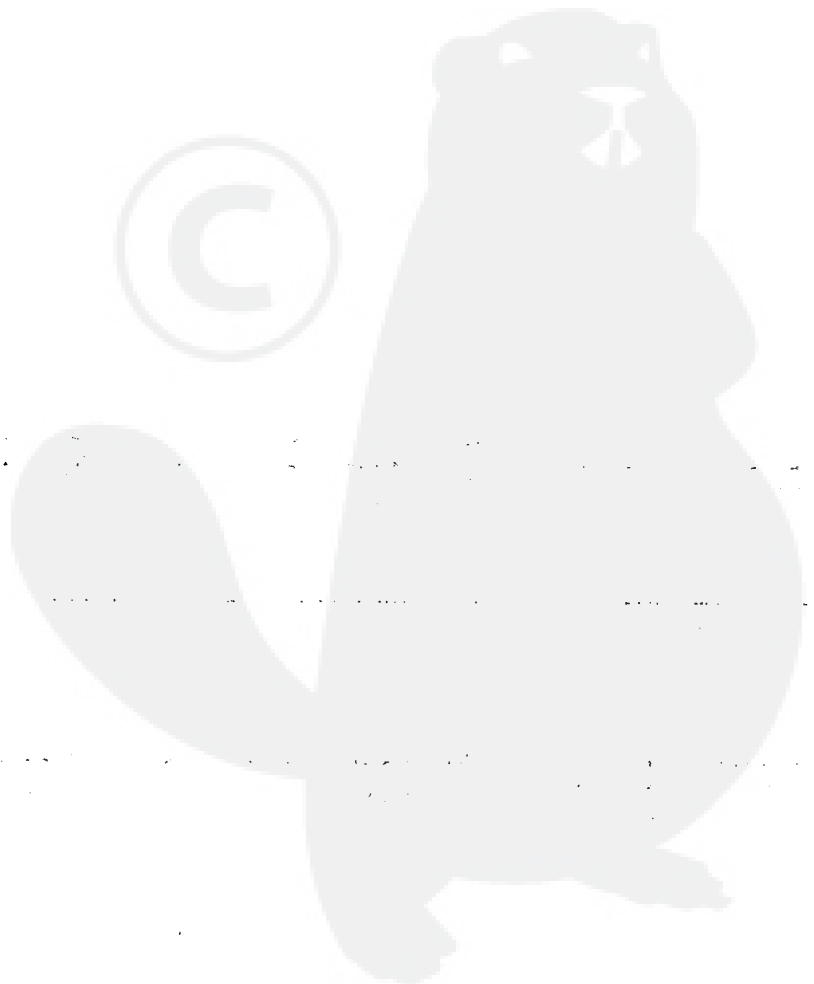
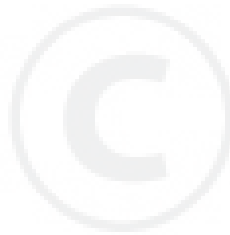


PB-2100(6digits)(35)(36), -1--1, Carburetor
 PB-2100(6digits)(35)(36), 2008/11/28

Key	Lv	Part no.	Part description	Quantity	Note1	Note2
		125200-20560	CARBURETOR ASSY	1	Sus. by 125200-20562	
		125200-20561	CARBURETOR	1	Sus. by 125200-20562	
		125200-20562	CARBURETOR	1		
1	+	125344-52130	SCREW	2		
2	+	125342-07360	COVER, DIAPHRAGM	1		
3	+	125341-34530	DIAPHRAGM	1		
4	+	125340-20560	GASKET, DIAPHRAGM	1		
5	+	125339-42030	SCREW	1		
6	+	125338-13930	PIN, METERING ARM	1		
7	+	125323-42030	LEVER, METERING	1		
8	+	125322-07260	SPRING, COIL	1		
9	+	125337-06960	VALVE, INLET NEEDLE	1		
10	+	125327-13930	CLIP	1		
11	+	125345-15130	PLUG, WELCH	1		
12	+	125316-20560	VALVE, THROTTLE	1		
13	+	125314-51230	SCREW	1		
14	+	125319-42030	SPRING, COIL	2	Sr/Nr 061471 and before	
15	+	125318-20560	NEEDLE, IDLE	1	Sr/Nr 061471 and before	
15	+	P005-000440	SCREW ASY IDLE MIX.	1	Sr/Nr 061472 and after	
16	+	125320-20560	NEEDLE, HIGH SPEED	1	Sr/Nr 061471 and before	
16	+	125320-13310	NEEDLE, HIGH SPEED	1	Sr/Nr 061472 and after	
17	+	125313-08560	SPRING, THRT. RETURN	1		
18	+	125317-06860	SHAFT, THROTTLE	1		
21	+	125326-42030	STRAINER	1		
22	+	125312-12820	DIAPHRAGM, FUEL PUMP	1		
23	+	125325-42030	GASKET, FUEL PUMP	1	Sus. by 125325-13310	
23	+	125325-13310	GASKET, PUMP	1		
24	+	125324-11610	COVER, PUMP	1	Sus. by 125383-13310	
24	+	125383-13310	BASE, PRIMER	1	Sus. by P005-000990	
24	+	P005-000990	BASE, PRIMER	1		
26	+	125381-46730	PUMP, PRIMING	1	Sus. by 125381-08660	
26	+	125381-08660	PUMP, PRIMING	1		
27	+	125363-11610	RING	1		
28	+	125310-11610	SCREW	2		
29	+	125334-06860	SCREW, IDLE ADJUST	1		
30	+	125378-13930	PIECE, FRICTION	1		

PB-2100(6digits)(35)(36), -1--1, Carburetor
 PB-2100(6digits)(35)(36), 2008/11/28

Key	Lv	Part no.	Part description	Quantity	Note1	Note2
31	+	125376-07360	NOZZLE, CHECK VALVE	1		
32	+	125350-20560	LEVER, THROTTLE	1		
33	+	125348-13930	SCREW	1		
34	+	125353-20560	WASHER	2	Sr/Nr 061471 and before	
35		125329-08560	LIMITER, MIXTURE	1	Sr/Nr 36001001 and after	
36		125329-09860	LIMITER, MIXTURE	1	Sr/Nr 36001001 and after	



PB-2100(6digits)(35)(36), -1--1, Repair Kit
 PB-2100(6digits)(35)(36), 2008/11/28

Key	Lv	Part no.	Part description	Quantity	Note1	Note2
		125303-20560	GASKET/DIAPHRAGM KIT	1		
7-3	+	125341-34530	DIAPHRAGM	1		
7-4	+	125340-20560	GASKET, DIAPHRAGM	1		
7-22	+	125312-42030	DIAPHRAGM, FUEL PUMP	1	Old	
7-22	+	125312-12820	DIAPHRAGM, FUEL PUMP	1	New	
7-23	+	125325-42030	GASKET, FUEL PUMP	1	Sus. by 125325-13310	
7-23	+	125325-13310	GASKET, PUMP	1		
		125300-20560	REBUILD KIT	1		
7-3	+	125341-34530	DIAPHRAGM	1		
7-4	+	125340-20560	GASKET, DIAPHRAGM	1		
7-6	+	125338-13930	PIN, METERING ARM	1		
7-7	+	125323-42030	LEVER, METERING	1		
7-8	+	125322-07260	SPRING, COIL	1		
7-9	+	125337-06960	VALVE, INLET NEEDLE	1		
7-11	+	125345-15130	PLUG, WELCH	1		
7-21	+	125326-42030	STRAINER	1		
7-22	+	125312-42030	DIAPHRAGM, FUEL PUMP	1	Old	
7-22	+	125312-12820	DIAPHRAGM, FUEL PUMP	1	New	
7-23	+	125325-42030	GASKET, FUEL PUMP	1	Sus. by 125325-13310	
7-23	+	125325-13310	GASKET, PUMP	1		

