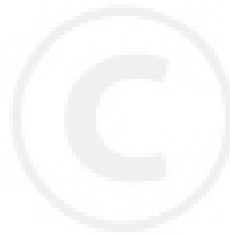




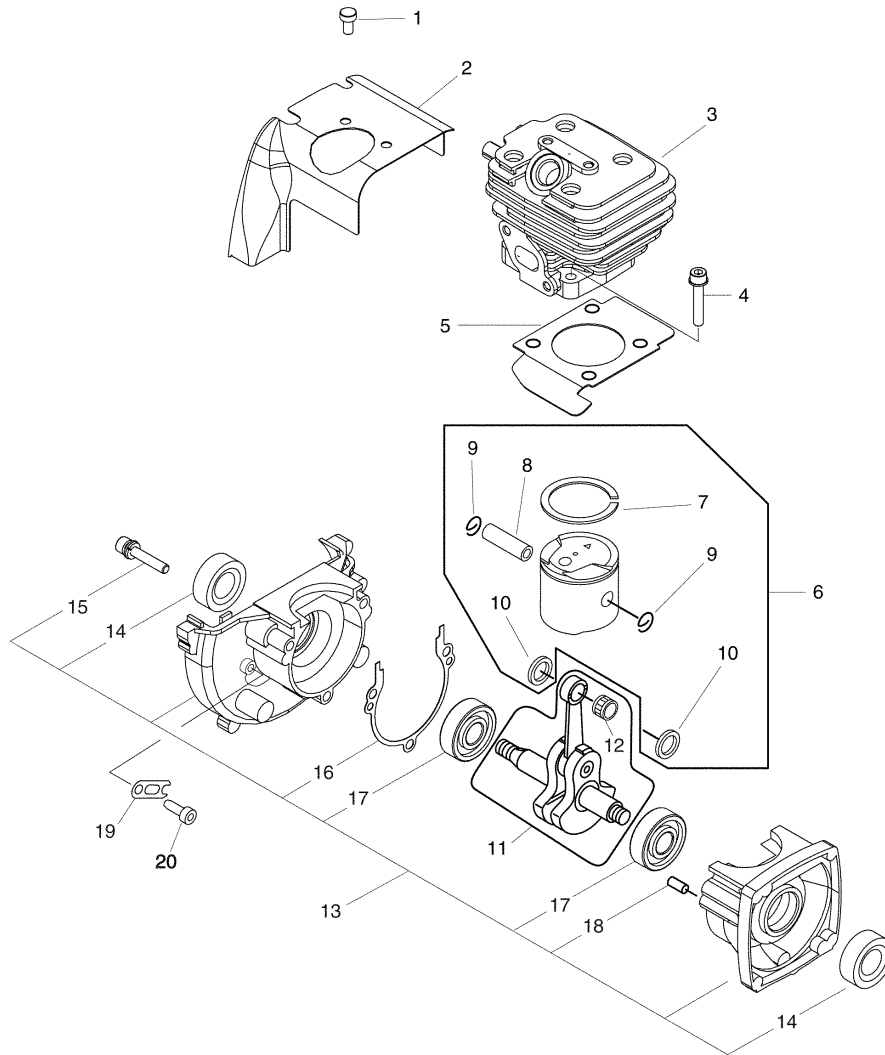
PARTS CATALOGUE

POWER BLOWER

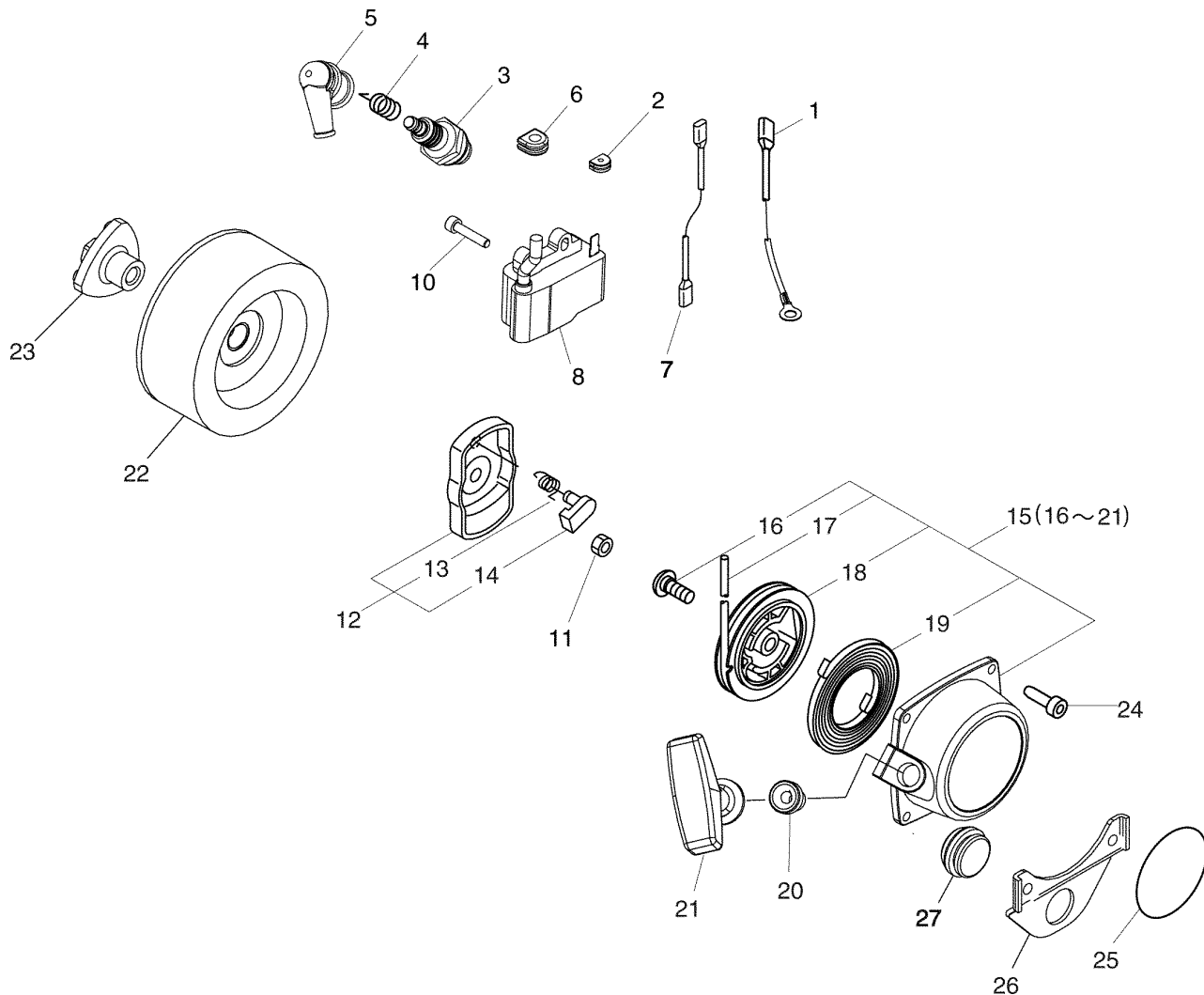
PB-250



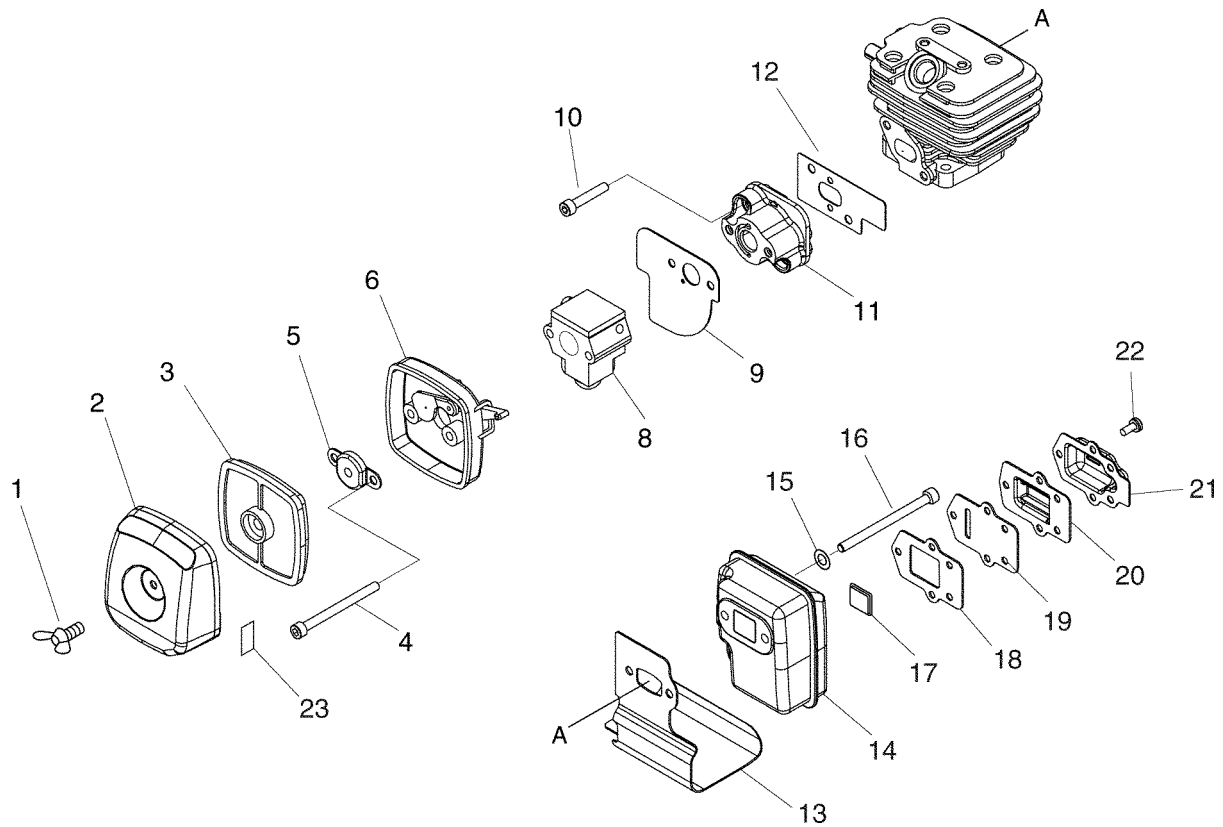
1 Cylinder, Crankcase, Piston



KEY	LV	PART NUMBER	Q'TY	DESCRIPTION	REMARKS
1		V805-000120	2	BOLT, TORX 5	
2		A160-001260	1	COVER,CYLINDER	
3		A130-001020	1	CYLINDER	
4		900162-05025	4	BOLT, H.S. 5*25	
5		V100-000190	1	GASKET,CYL	
6		P021-017410	1	PISTON KIT	
7	+	A101-000140	1	RING, PISTON	
8	+	V606-000000	1	PIN,ENG 8	
9	+	100015-04630	2	CIRCLIP, PISTON PIN	
10	+	100014-11520	2	SPACER, PISTON PIN	
11		A011-000590	1	CRANKSHAFT,ASY	
12	+	V553-000060	1	BEARING,NEEDLE 8	
13		P021-008231	1	CRANKCASE KIT	
14	+	100212-42031	2	OILSEAL	
15	+	900162-05028	3	BOLT, H.S. 5*28	
16	+	100242-42030	1	GASKET, CRANKCASE	
17	+	94035-36201	2	BEARING BALL	
18	+	100215-03930	2	PIN, DOWEL	
19		V150-002400	1	PLATE,EYE	
20		V805-000120	1	BOLT, TORX 5	

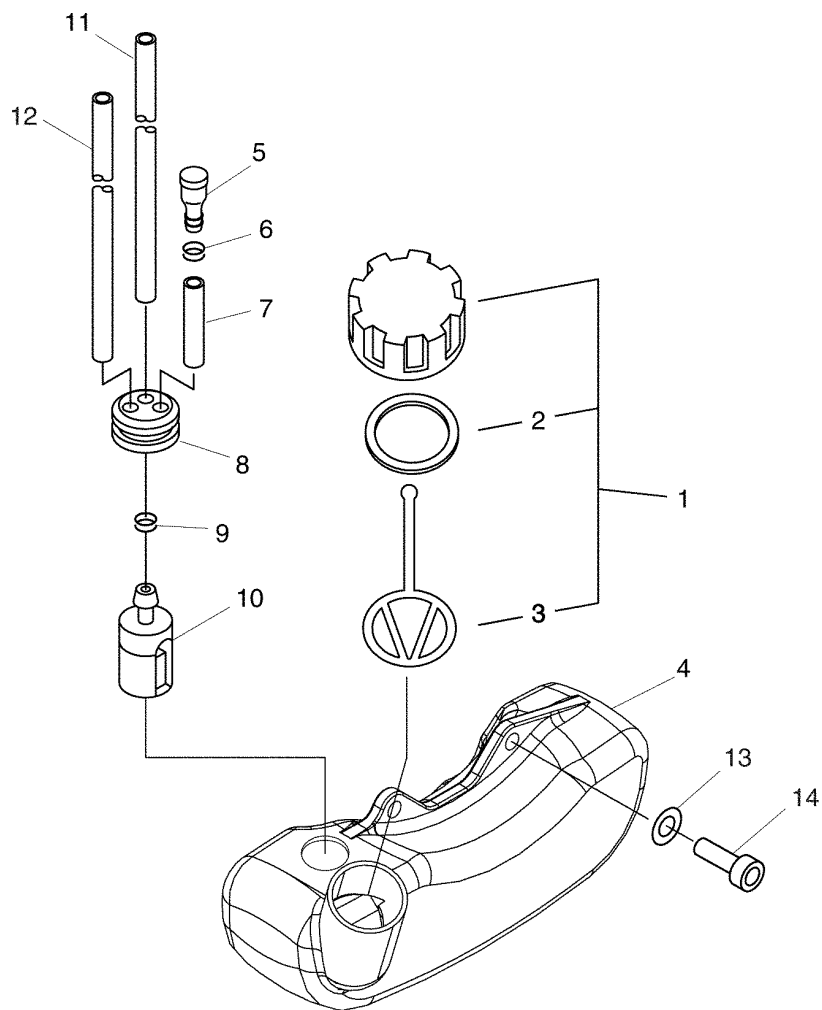


KEY	LV	PART NUMBER	Q'TY	DESCRIPTION	REMARKS
1		V485-001210	1	LEAD	
2		152115-05530	1	BUSHING	
3		A425-000000	1	SPARKPLUG	
4		159011-03432	1	COIL, SPARK PLUG	
5		159012-03433	1	CAP, SPARK PLUG	
6		156110-04920	1	BUSHING	
7		V485-001220	1	LEAD	
8		A411-000500	1	COIL, IGNITION	
10		V804-000070	2	BOLT, TORX 4	
11		900595-00008	1	NUT	
12		A052-000280	1	PULLEY,ASM STARTER	
13	+	177234-12220	1	SPRING, PAWL	
14	+	177218-44330	1	PAWL, STARTER	
15		177200-42033	1	STARTER ASSY	
16	+	177236-44330	4	SCREW	
17	+	177226-10120	1	ROPE, STARTER	
18	+	177215-44430	1	DRUM, STARTER	
19	+	177220-42030	1	SPRING, REWIND	
20	+	177227-42030	1	GUIDE, ROPE	
21	+	177228-06530	1	GRIP, STARTER	
22		A409-000210	1	ROTOR,MAGNETO	
23		E101-000071	1	HUB,FAN	
24		V804-000060	4	BOLT, TORX 4	
25		X502-000330	1	LABEL,ECHO	
26		V152-002220	1	PLATE,ANGLE	
27		V420-000910	1	CUSHION	

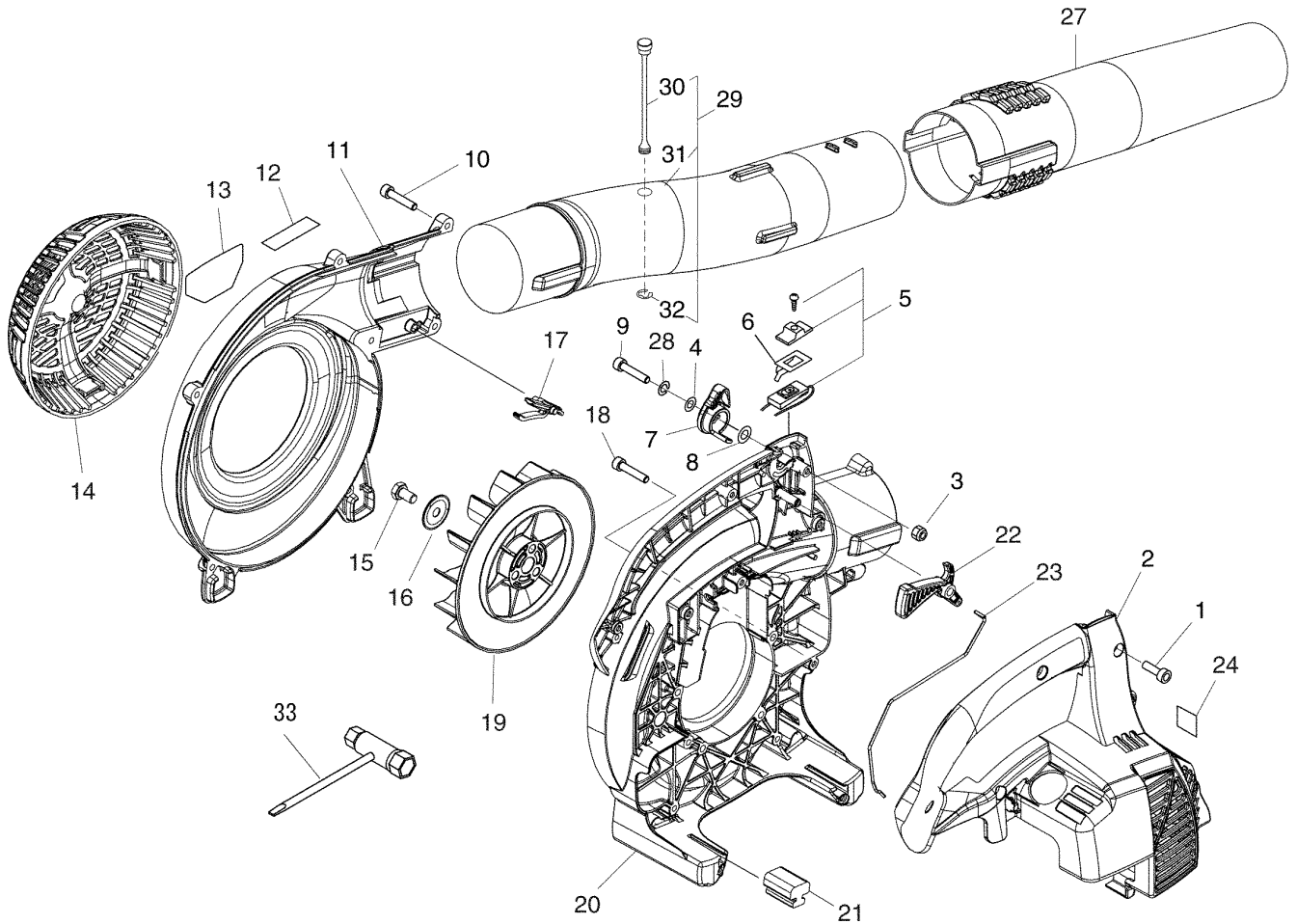


KEY	LV	PART NUMBER	Q'TY	DESCRIPTION	REMARKS
1		210417-52730	1	BOLT, WING	
2		130313-05863	1	LID, AIR CLEANER	
3		130310-54130	1	FILTER, AIR	
4		V805-000100	2	BOLT, TORX 5	
5		129011-52730	1	PLATE, PREVENT	
6		P021-000991	1	CASE, AIR CLEANER	
8		A021-001880	1	CARBURETOR, DIAPHRAGM	
9		V103-000550	1	GASKET, INTAKE	
10		V805-000220	2	BOLT, TORX 5	
11		A200-000370	1	INSULATOR, INTAKE	
12		V103-000540	1	GASKET, INTAKE	
13		V104-000960	1	GASKET, EXHAUST	
14		A300-000810	1	MUFFLER, EXHAUST	
15		900603-00005	2	WASHER 5	
16		V203-000190	2	BOLT, 5	
17		A310-000070	1	SCREEN, ARRESTOR	
18		V104-000940	1	GASKET, EXHAUST	
19		A313-001070	1	GUIDE, EXHAUST	
20		A313-000840	1	GUIDE, EXHAUST	
21		A313-001090	1	GUIDE, EXHAUST	
22		V804-000080	5	BOLT, TORX 4	
23		890332-52730	1	LABEL, CHOKE	

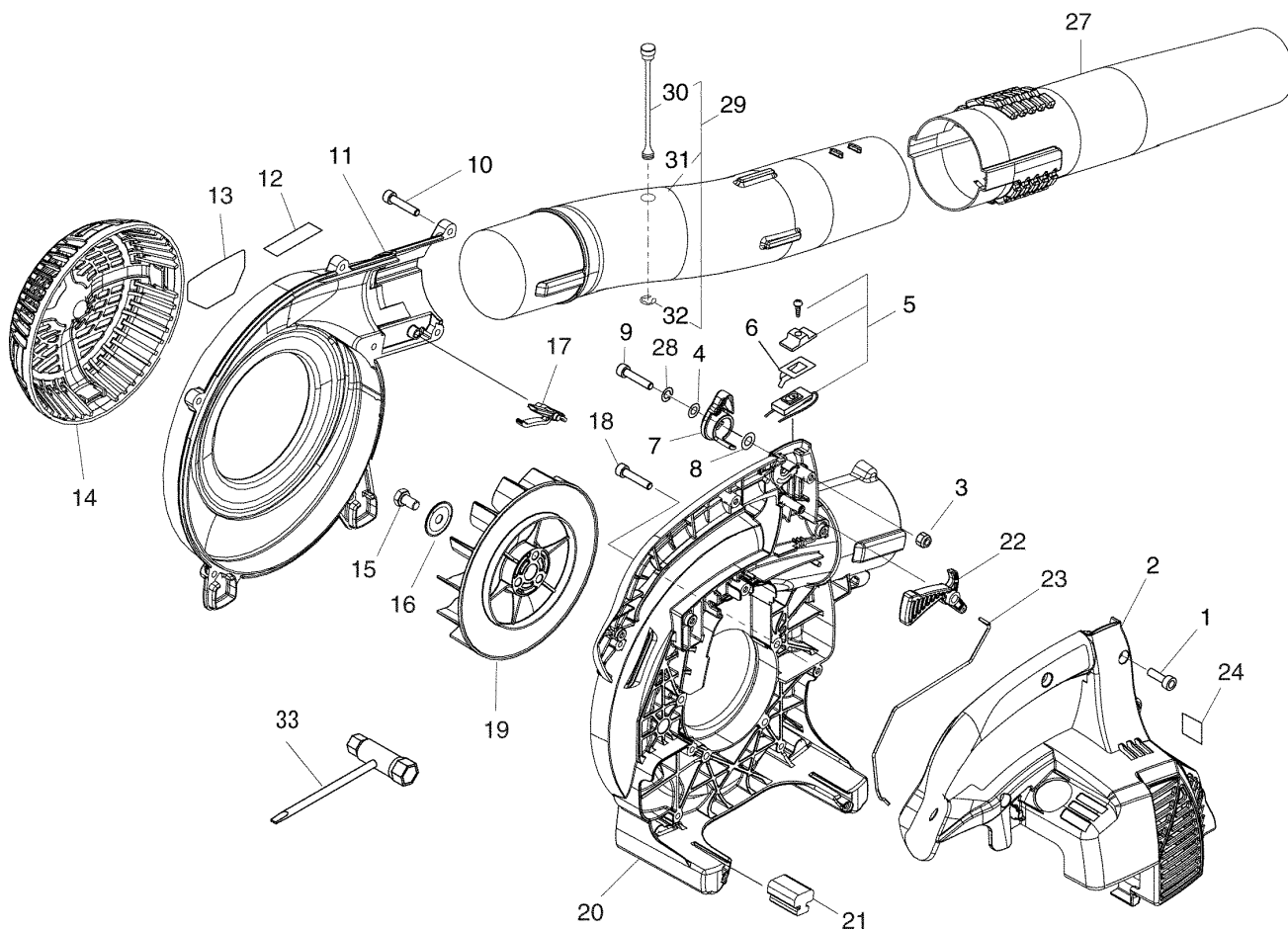
4 Fuel Tank



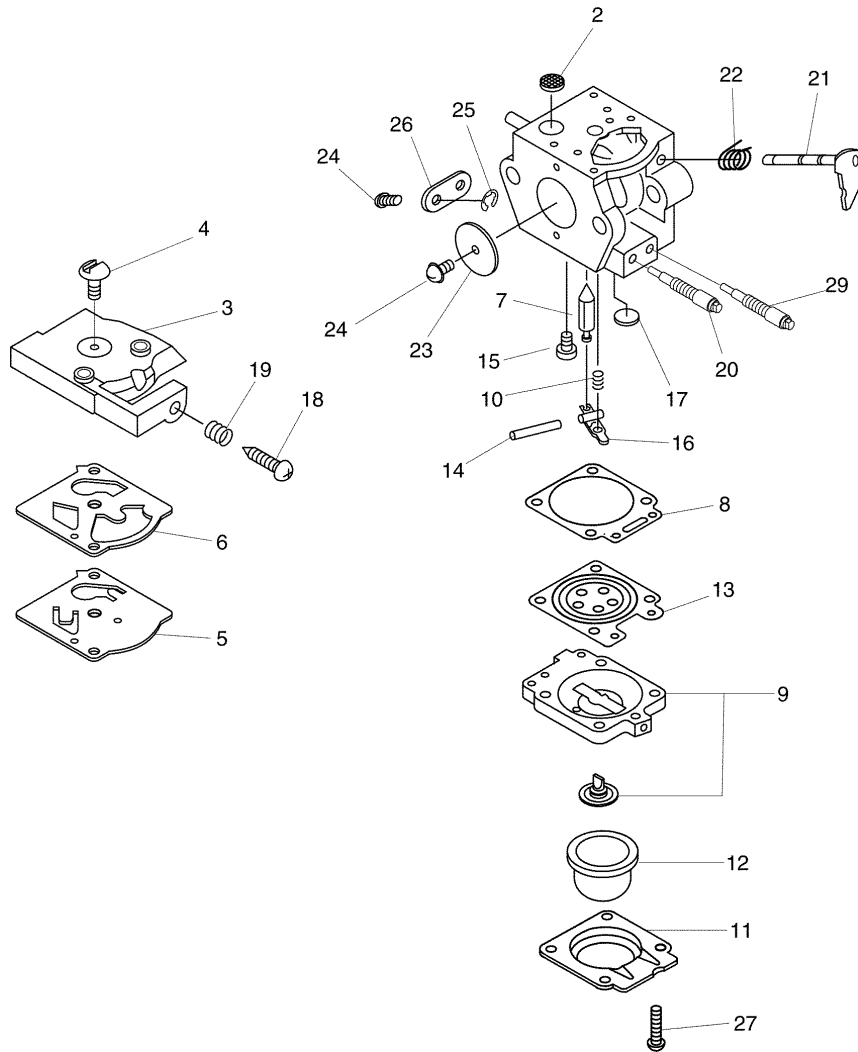
KEY	LV	PART NUMBER	Q'TY	DESCRIPTION	REMARKS
1		131004-55530	1	CAP ASSY, FUEL TANK	
2	+	131016-55830	1	GASKET, FUEL CAP	
3	+	131051-56030	1	CLIP, FUEL CAP	
4		131005-20561	1	TANK, FUEL	
5		A356-000030	1	VALVE,CHECK	
6		132013-09820	1	CLIP	
7		132010-49730	1	PIPE 3*6*85	
8		V137-000030	1	GROMMET,FUEL	
9		132013-09820	1	CLIP	
10		131205-07320	1	STRAINER, FUEL	
11		V471-002170	1	PIPE	
12		132012-04631	1	PIPE	
13		900603-00005	2	WASHER 5	
14		V805-000150	2	BOLT, TORX 5	



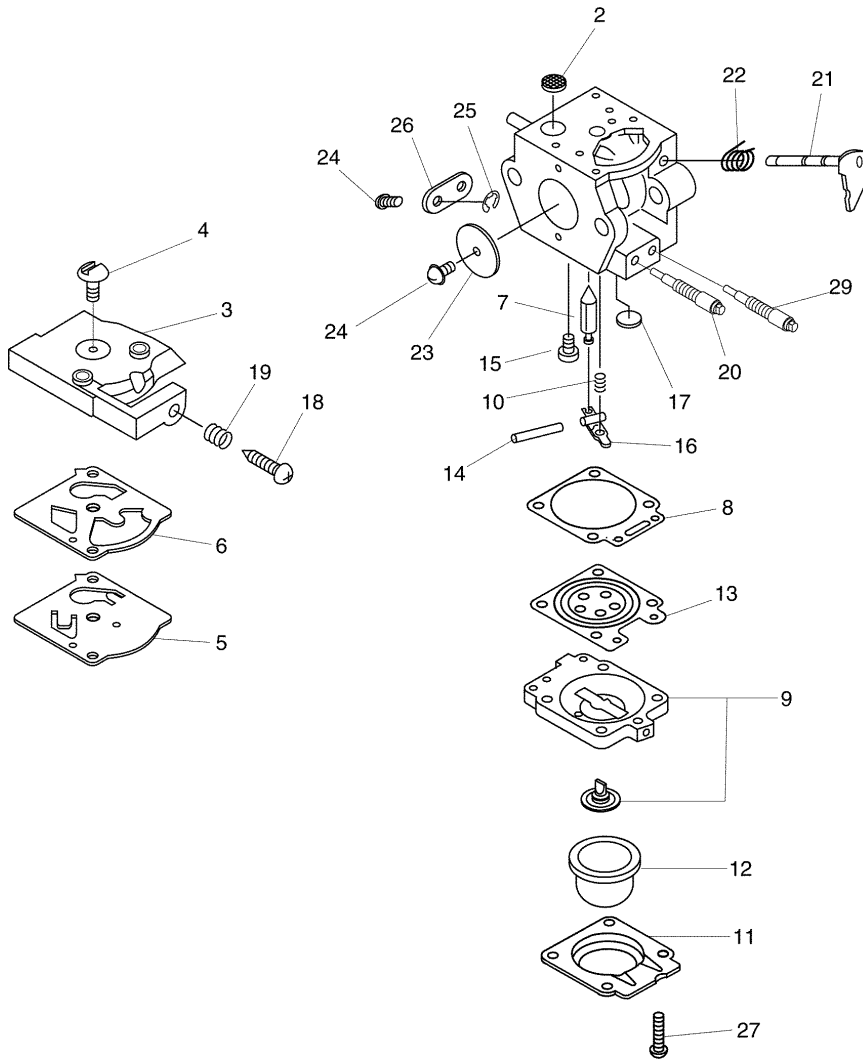
KEY	LV	PART NUMBER	Q'TY	DESCRIPTION	REMARKS
1		V805-000010	6	BOLT, TORX 5	
2		A190-000860	1	COVER,ENGINE	
3		900562-50005	1	LOCKNUT 5	
4		900602-00005	1	WASHER 5	
5		A440-001310	2	SWITCH, ON OFF	
6		V486-000150	1	TERMINAL,LEAD	
7		C453-000300	1	LEVER,THROTTLE	
8		900603-00005	1	WASHER 5	
9		V805-000220	1	BOLT, TORX 5	
10		V805-000010	7	BOLT, TORX 5	
11		E103-000700	1	CASE,FAN	
12		X505-002080	1	LABEL,CAUTION	
13		X547-001690	1	LABEL,ECHO	
14		E104-000110	1	GRID, BLOWER	
15		900100-08014	1	BOLT 8*14	
16		100143-19830	1	WASHER	
17		C662-000040	1	PIECE, LEVER	
18		V804-000070	4	BOLT, TORX 4	
19		E100-000070	1	FAN,BLOWER	
20		E103-000690	1	CASE,FAN	
21		351335-20560	2	CUSHION	
22		C450-000410	1	CONTROL, THROTTLE	
23		C454-000190	1	ROD, THROTTLE	
24		X505-002310	1	LABEL,CAUTION	



KEY	LV	PART NUMBER	Q'TY	DESCRIPTION	REMARKS
27		E165-000170	1	PIPE,BLOWER	
28		900605-00005	1	WASHER, SPRING 5	
29		E165-000380	1	PIPE,BLOWER	
30	+	E178-000050	1	GUARD,PIPE	
31	+	E165-000390	1	PIPE,BLOWER	
32	+	V583-000080	1	RING	
33		895410-06960	1	WRENCH, W/S-DRIVER	



KEY	LV	PART NUMBER	Q'TY	DESCRIPTION	REMARKS
		A021-001880	1	CARBURETOR,DIAPHRAGM	
2	+	123126-10631	1	SCREEN, INLET	
3	+	P003-003830	1	COVER PUMP	
4	+	123110-03930	1	SCREW, PUMP COVER	
5	+	123112-15030	1	DIAPHRAGM, FUEL PUMP	
6	+	123125-15030	1	GASKET, FUEL PUMP	
7	+	123137-19830	1	VÁLVÉ, INLET NEEDLE	
8	+	P003-003840	1	GASKET, M. DIAPHRAGM	
9	+	P003-003850	1	BODY, AIR PURGE	
10	+	P003-003860	1	SPRING	
11	+	123142-05560	1	COVER, PRIMER PUMP	
12	+	123181-40630	1	PUMP, PRIMER	
13	+	P003-001850	1	DIAPHRAGM, METERING	
14	+	123138-03930	1	PIN, METERING LEVER	
15	+	123139-03930	1	SCREW, M. LEVER PIN	
16	+	123123-03930	1	LEVÉR, METERING	
17	+	123146-10631	1	PLUG, WELCH	
18	+	P003-001400	1	SCREW, IDLE ADJUST	
19	+	123133-04260	1	SPRING, IDLE ADJUST	
20	+	P003-003870	1	NEEDLE	
21	+	P003-003880	1	SHAFT ASY,THROTTLE	
22	+	P003-003890	1	SPRING	
23	+	P003-003900	1	VALVE, THROTTLE	
24	+	123114-38830	1	SCREW	



KEY	LV	PART NUMBER	Q'TY	DESCRIPTION	REMARKS
25	+	123127-15030	1	RING	
26	+	P003-003910	1	THROTTLE, LEVER	
27	+	123144-02960	4	SCREW	
29	+	P003-003920	1	NEEDLE	



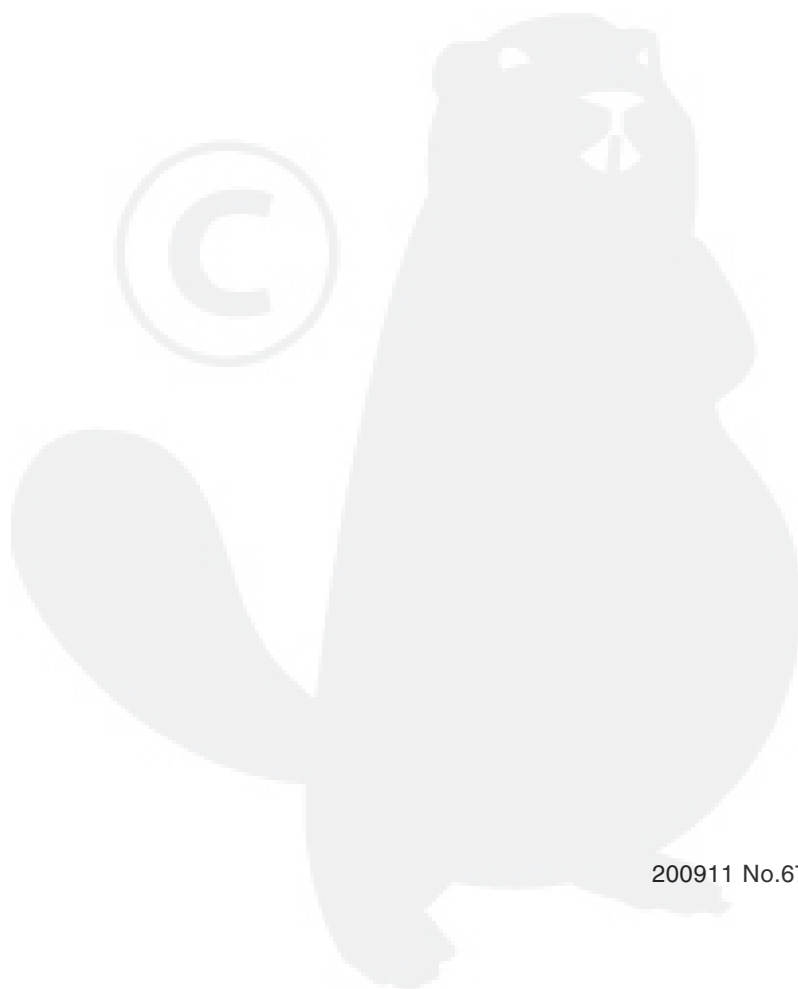
Index

Parts Number	Key No.	Parts Number	Key No.	Parts Number	Key No.
A011-000590	1 - 11	V103-000550	3 - 9	123144-02960	7 - 27
A021-001880	3 - 8	V104-000940	3 - 18	123146-10631	7 - 17
A021-001880	7 -	V104-000960	3 - 13	123181-40630	7 - 12
A052-000280	2 - 12	V137-000030	4 - 8	129011-52730	3 - 5
A101-000140	1 - 7	V150-002400	1 - 19	130310-54130	3 - 3
A130-001020	1 - 3	V152-002220	2 - 26	130313-05863	3 - 2
A160-001260	1 - 2	V203-000190	3 - 16	131004-55530	4 - 1
A190-000860	5 - 2	V420-000910	2 - 27	131005-20561	4 - 4
A200-000370	3 - 11	V471-002170	4 - 11	131016-55830	4 - 2
A300-000810	3 - 14	V485-001210	2 - 1	131051-56030	4 - 3
A310-000070	3 - 17	V485-001220	2 - 7	131205-07320	4 - 10
A313-000840	3 - 20	V486-000150	5 - 6	132010-49730	4 - 7
A313-001070	3 - 19	V553-000060	1 - 12	132012-04631	4 - 12
A313-001090	3 - 21	V583-000080	5 - 32	132013-09820	4 - 6
A356-000030	4 - 5	V606-000000	1 - 8	132013-09820	4 - 9
A409-000210	2 - 22	V804-000060	2 - 24	152115-05530	2 - 2
A411-000500	2 - 8	V804-000070	2 - 10	156110-04920	2 - 6
A425-000000	2 - 3	V804-000070	5 - 18	159011-03432	2 - 4
A440-001310	5 - 5	V804-000080	3 - 22	159012-03433	2 - 5
C450-000410	5 - 22	V805-000010	5 - 1	177200-42033	2 - 15
C453-000300	5 - 7	V805-000010	5 - 10	177215-44430	2 - 18
C454-000190	5 - 23	V805-000100	3 - 4	177218-44330	2 - 14
C662-000040	5 - 17	V805-000120	1 - 1	177220-42030	2 - 19
E100-000070	5 - 19	V805-000120	1 - 20	177226-10120	2 - 17
E101-000071	2 - 23	V805-000150	4 - 14	177227-42030	2 - 20
E103-000690	5 - 20	V805-000220	3 - 10	177228-06530	2 - 21
E103-000700	5 - 11	V805-000220	5 - 9	177234-12220	2 - 13
E104-000110	5 - 14	X502-000330	2 - 25	177236-44330	2 - 16
E165-000170	5 - 27	X505-002080	5 - 12	210417-52730	3 - 1
E165-000380	5 - 29	X505-002310	5 - 24	351335-20560	5 - 21
E165-000390	5 - 31	X547-001690	5 - 13	890332-52730	3 - 23
E178-000050	5 - 30	100014-11520	1 - 10	895410-06960	5 - 33
P003-001400	7 - 18	100015-04630	1 - 9	900100-08014	5 - 15
P003-001850	7 - 13	100143-19830	5 - 16	900162-05025	1 - 4
P003-003830	7 - 3	100212-42031	1 - 14	900162-05028	1 - 15
P003-003840	7 - 8	100215-03930	1 - 18	900562-50005	5 - 3
P003-003850	7 - 9	100242-42030	1 - 16	900595-00008	2 - 11
P003-003860	7 - 10	123110-03930	7 - 4	900602-00005	5 - 4
P003-003870	7 - 20	123112-15030	7 - 5	900603-00005	3 - 15
P003-003880	7 - 21	123114-38830	7 - 24	900603-00005	4 - 13
P003-003890	7 - 22	123123-03930	7 - 16	900603-00005	5 - 8
P003-003900	7 - 23	123125-15030	7 - 6	900605-00005	5 - 28
P003-003910	7 - 26	123126-10631	7 - 2	94035-36201	1 - 17
P003-003920	7 - 29	123127-15030	7 - 25		
P021-000991	3 - 6	123133-04260	7 - 19		
P021-008231	1 - 13	123137-19830	7 - 7		
P021-017410	1 - 6	123138-03930	7 - 14		
V100-000190	1 - 5	123139-03930	7 - 15		
V103-000540	3 - 12	123142-05560	7 - 11		

YAMABIKO CORPORATION

7-2 SUEHIROCHO 1-CHOME, OHME, TOKYO 198-8760, JAPAN
PHONE: 81-428-32-6118. FAX: 81-428-32-6145.

ECHO®



200911 No.67-067