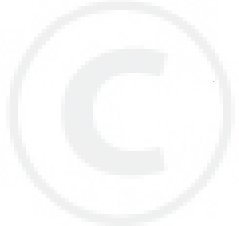
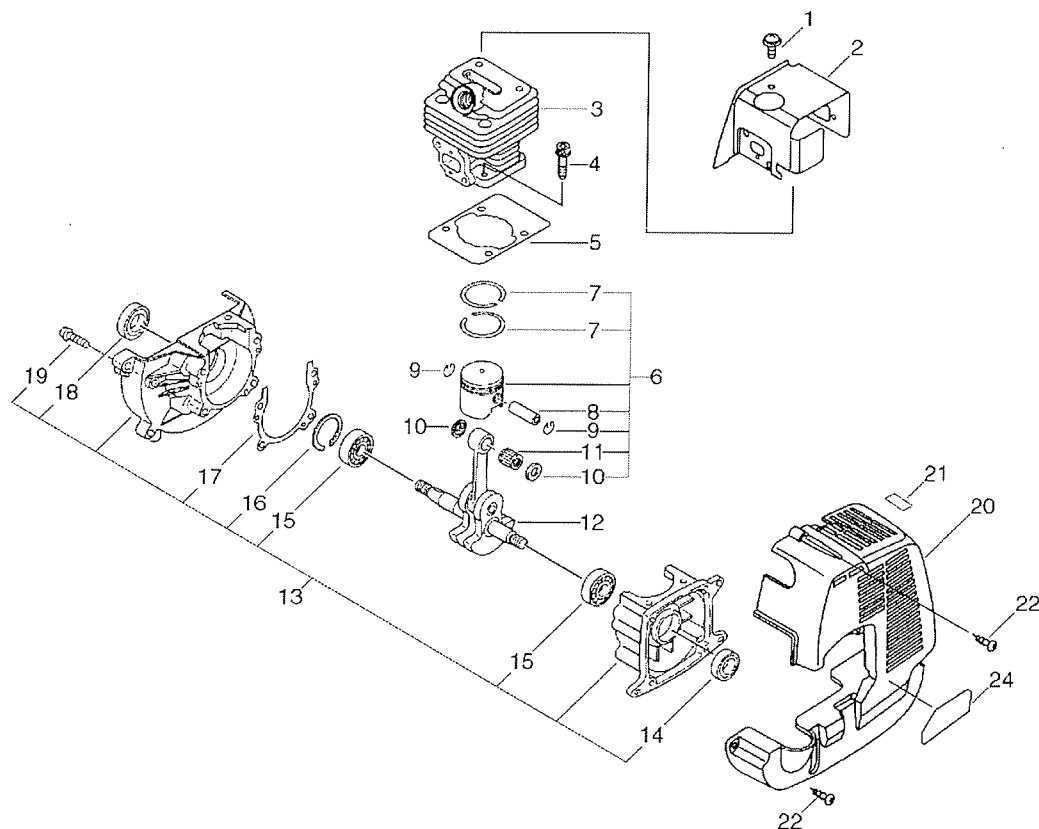


PB-260LS, -1--1, Cylinder, Crankcase, Piston
PB-260LS, 2008/11/28

No.1

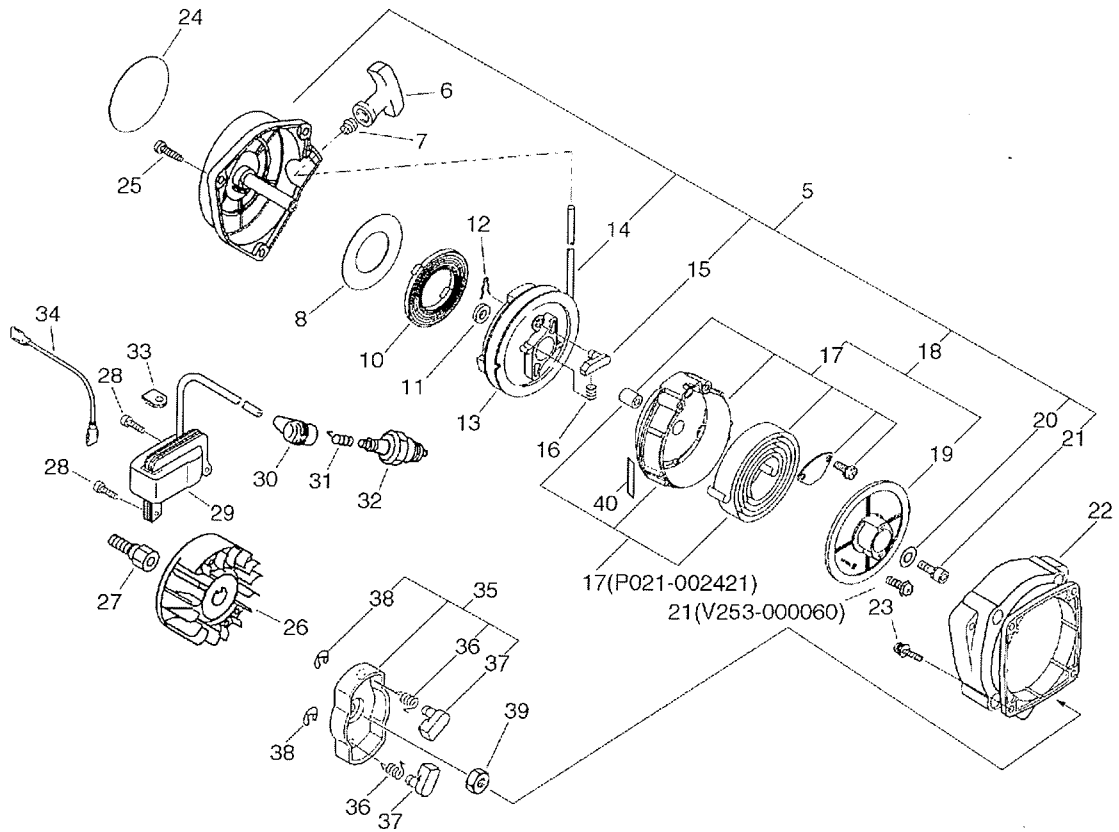


PB-260LS, -1--1, Cylinder, Crankcase, Piston
 PB-260LS, 2008/11/28

Key	Lv	Part no.	Part description	Quantity	Note1	Note2
1		900242-05010	SCREW 5*10	1		
2		A160-000120	COVER,CYLINDER	1		
3		A130-000122	CYLINDER	1		
4		900162-05022	BOLT, H.S. 5*22	4		
5		V100-000010	GASKET,CYL	1		
6		P021-001680	PISTON KIT	1	Sus. by P021-002360	
6		P021-002360	PISTON KIT	1		
7	+	A101-000010	RING,PISTON	2		
8	+	V606-000000	PIN,ENG 8	1		
9	+	100015-04630	CIRCLIP, PISTON PIN	2		
10	+	100014-55930	SPACER, PISTON PIN	2		
11	+	V553-000000	BEARING,NEEDLE 8	1	Sus. by V553-000020	
11	+	V553-000020	BEARING,NEEDLE 8	1		
12		A011-000030	CRANKSHAFT,ASM	1	Sus. by A011-000031	
12		A011-000031	CRANKSHAFT,ASM	1		
13		P021-000940	CRANKCASE KIT	1	Sus. by P021-000941	
13		P021-000941	CRANKCASE KIT	1		
14	+	100213-05530	OILSEAL	1		
15	+	900800-36001	BEARING, BALL 6001	2		
16	+	900702-00028	CIRCLIP 28	1		
17	+	100242-55930	GASKET, CRANKCASE	1		
18	+	100212-28230	OILSEAL ISCD 12*28*7	1		
19	+	900162-05025	BOLT, H.S. 5*25	4		
20		A190-000011	COVER,ENGINE	1		
21		890160-06361	LABEL, CAUTION	1		
22		900253-05020	SCREW 5*20	4		
24		X503-001870	LABEL,MODEL	1		

PB-260LS, -1--1, Starter, Magneto
PB-260LS, 2008/11/28

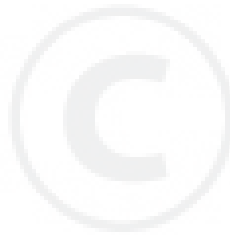
No.2



PB-260LS, -1--1, Starter, Magneto
 PB-260LS, 2008/11/28

Key	Lv	Part no.	Part description	Quantity	Note1	Note2
5		A051-000050	STARTER,RECOIL	1	Sus. by A051-000057	
5		A051-000052	STARTER,RECOIL	1	Sus. by A051-000057	
5		A051-000053	STARTER,RECOIL	1	Sus. by A051-000057	
5		A051-000054	STARTER,RECOIL	1	Sus. by A051-000057	
5		A051-000055	STARTER,RECOIL	1	Sus. by A051-000057	
5		A051-000056	STARTER,RECOIL	1	Sus. by A051-000057	
5		A051-000057	STARTER,RECOIL	1		
6	+	177228-27030	GRIP, STARTER	1		
7	+	177227-42030	GUIDE, ROPE	1		
8	+	A503-000000	PLATE,STARTER	1	Sus. by A503-000010	
8	+	A503-000010	PLATE,STARTER	1		
10	+	A504-000000	SPRING, SPIRAL	1	Sus. by A504-000001	
10	+	A504-000001	SPRING, SPIRAL	1		
11	+	V355-000080	COLLAR,8	1		
12	+	900700-00004	E-RING 4	2	Sus. by V641-000040	
12	+	V641-000040	PIN,SNAP	2		
13	+	A506-000010	REEL,ROPE	1		
14	+	177226-10120	ROPE, STARTER	1		
15	+	A514-000010	PAWL	2		
16	+	V450-000130	SPRING, COMPRESSION	2		
17	+	P021-002420	POWER SPRING ASY	1	Sus. by A053-000031	
17	+	P021-002421	POWER SPRING ASY	1	Sus. by A053-000031	
18	+	A053-000030	SPRING,SET POWER	1		
18	+	A053-000031	SPRING,ASM POWER	1		
17	++	P021-002422	POWER SPRING ASY	1	Sus. by P021-004020	
17	++	P021-004020	POWER SPRING ASY	1		
19	++	A520-000023	PULLEY,STARTING	1	Can be used on the P021-002422,-004020	
19	+	A520-000020	PULLEY,STARTING	1	Sus. by A520-000021	
19	+	A520-000021	PULLEY,STARTING	1	Can be used on the P021-002421 only	
20	+	177214-02830	WASHER	1	Sus. by V253-000060	
21	+	900105-05012	BOLT, H.S. 5*12	1	Sus. by V253-000060	

21	+	V253-000060	SCREW,5	1	
22		V376-000170	SPACER	1	
23		900163-04016	BOLT HSH	4	
24		X502-000030	LABEL,ECHO	1	Sus. by X502-000240
24		X502-000031	LABEL,ECHO	1	Sus. by X502-000240

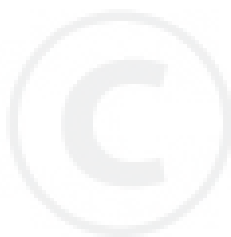
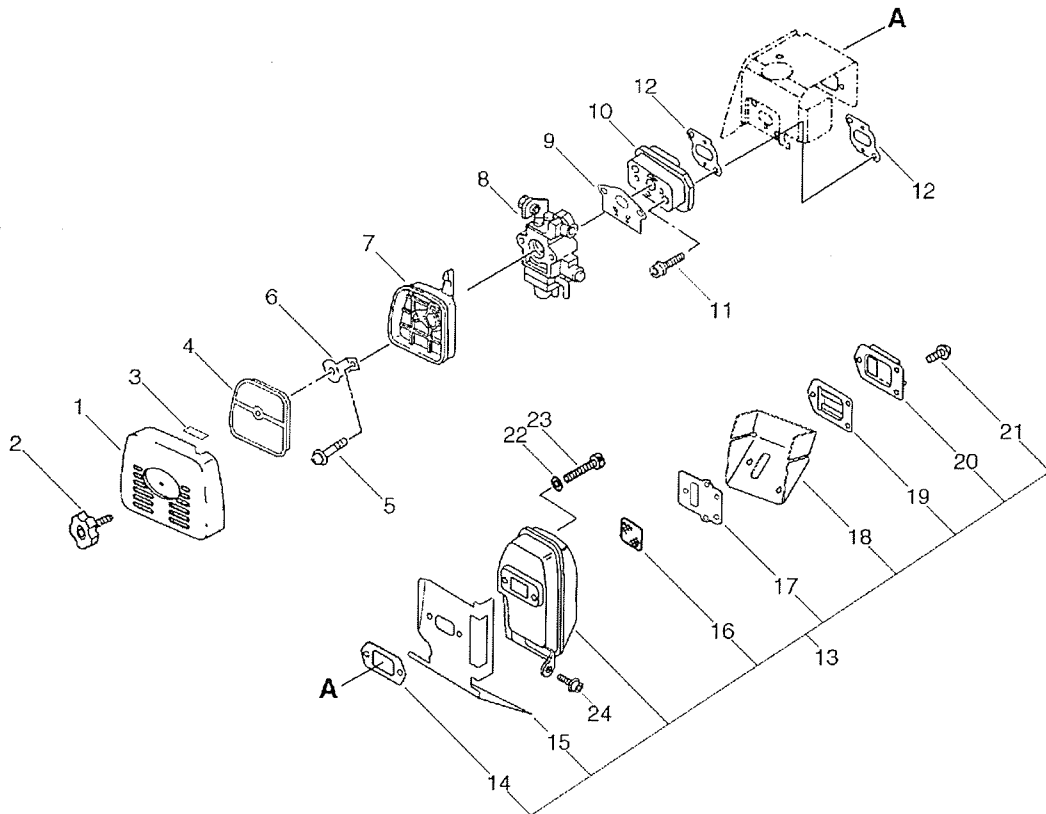


PB-260LS, -1--1, Starter, Magneto
 PB-260LS, 2008/11/28

Key	Lv	Part no.	Part description	Quantity	Note1	Note2
24		X502-000032	LABEL,ECHO	1	Sus. by X502-000240	
24		X502-000240	LABEL,ECHO	1		
25		900253-05020	SCREW 5*20	3		
26		A409-000020	ROTOR,MAGNETO	1		
27		E101-000000	HUB,FAN	1		
28		900162-05016	BOLT, H.S. 5*16	2		
29		A411-000010	COIL,IGNITION	1		
30		159012-03433	CAP, SPARK PLUG	1		
31		159011-03432	COIL, SPARK PLUG	1		
32		159010-10230	PLUG, SPARK (BPMR-7A	1		
33		156112-40630	GROMMET	1		
34		V485-000040	LEAD	1		
35		177202-40630	PAWL ASSY, STARTER	1	Sus. by A052-000030	
35		A052-000030	PULLEY,ASM STARTER	1		
36	+	177234-40630	SPRING, RETURN	1	Can be used on the 177202-40630	
36	+	177234-40630	SPRING, RETURN	2	Can be used on the A052-000030	
37	+	177218-40630	PAWL, STARTER	1	Can be used on the 177202-40630	
37	+	177218-40630	PAWL, STARTER	2	Can be used on the A052-000030	
38	+	900700-00004	E-RING 4	1	Can be used on the 177202-40630	
38	+	900700-00004	E-RING 4	2	Can be used on the A052-000030	
39		900502-00008	NUT 8 (3N)	1		
40		X505-000620	LABEL,CAUTION	1		

PB-260LS, -1-1, Air Cleaner, Muffler
PB-260LS, 2008/11/28

No.3

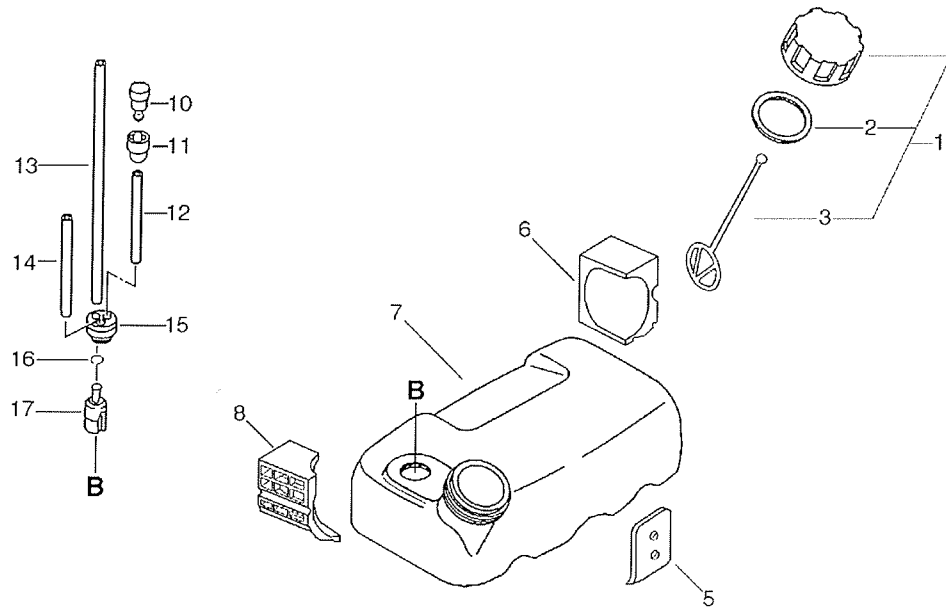


PB-260LS, -1--1, Air Cleaner, Muffler
 PB-260LS, 2008/11/28

Key	Lv	Part no.	Part description	Quantity	Note1	Note2
1		A232-000040	LID,CLEANER	1	Sus. by A232-000041	
1		A232-000041	LID,CLEANER	1		
2		130406-52130	KNOB, FASTENER	1	Sus. by 130406-52131	
2		130406-52131	KNOB, FASTENER	1		
3		890332-52730	LABEL, CHOKE	1		
4		130310-51830	FILTER, AIR	1		
5		900242-05060	SCREW 5*60	2		
6		129011-57730	PLATE, PRVENT	1	Sus. by 129011-57731	
6		129011-57731	PLATE,PRVENT	1		
7		130307-57730	CASE,AIR CLEANER	1		
8		A021-000121	CARBURETOR,DIAPHRAGM	1	Sus. by A021-000122	
8		A021-000122	CARBURETOR,DIAPHRAGM	1		
9		130010-13410	GASKET, INTAKE	1		
10		A200-000021	INSULATOR,INTAKE	1		
11		900106-05025	BOLT, H.S. 5*25	2		
12		130010-55930	GASKET, INTAKE	2		
13		P021-001481	MUFFLER ASY	1	Sus. by P021-001482	
13		P021-001482	MUFFLER ASY	1		
14	+	145510-42032	GASKET, MUFFLER	1		
15	+	V104-000041	GASKET,EXHAUST	1		
16	+	145862-40630	SCREEN, MUFFLER	1		
17	+	V104-000032	GASKET,EXHAUST	1	Sus. by V104-000350	
18	+	V104-000051	GASKET,EXHAUST	1	Sus. by V104-000350	
18	+	V104-000350	GASKET,EXHAUST	1		
19	+	A313-000110	GUIDE,EXH	1		
20	+	A313-000080	GUIDE,EXH	1		
21	+	91367-04010	SCREW	3	Sus. by 900242-04010	
21	+	900242-04010	SCREW 4*10	3		
22		900600-00005	WASHER 5	2		
23		900105-05060	BOLT, H.S. 5*60	2		
24		900162-05016	BOLT, H.S. 5*16	1		

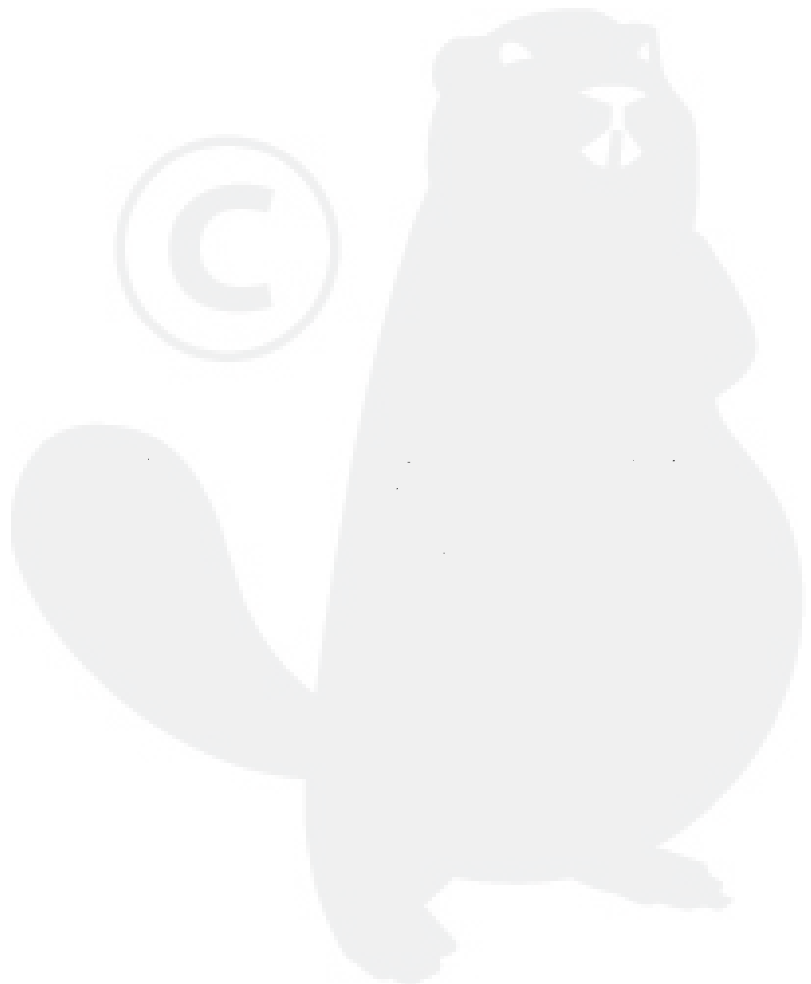
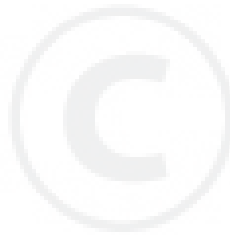
PB-260LS, -1--1, Fuel Tank
PB-260LS, 2008/11/28

No.4



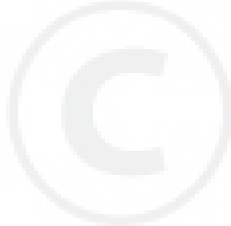
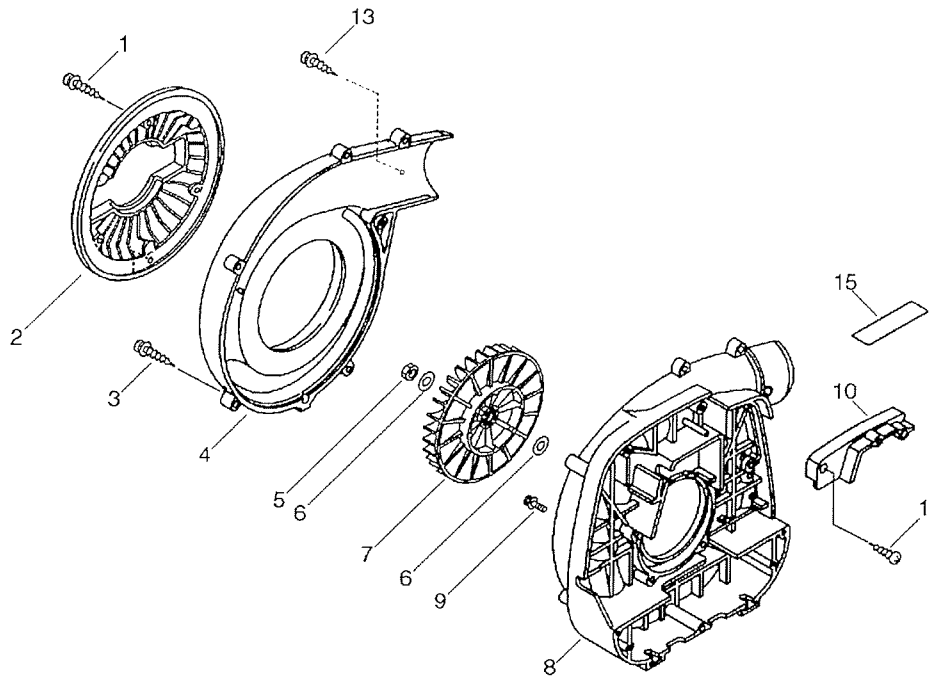
PB-260LS, -1--1, Fuel Tank
 PB-260LS, 2008/11/28

Key	Lv	Part no.	Part description	Quantity	Note1	Note2
1		131004-55530	CAP ASSY, FUEL TANK	1		
2	+	131016-55830	GASKET, FUEL CAP	1		
3	+	131051-56030	CLIP, FUEL CAP	1		
5		V420-000390	CUSHION	1		
6		V420-000280	CUSHION	1		
7		A350-000022	TANK,FUEL	1	Sus. by A350-000 023	
7		A350-000023	TANK,FUEL	1		
8		V420-000270	CUSHION	1		
10		131300-56430	VALVE, CHECK	1	Sus. by A356-000 030	
10		A356-000030	VALVE,CHECK	1		
11		131328-40630	COVER, VENT	1		
12		437217-20760	PIPE 3* 6*100	1		
13		437210-15130	PIPE, OIL	1		
14		132010-14010	PIPE 3* 6*100	1		
15		132115-55930	GROMMET, FUEL	1		
16		132013-26630	CLIP	1		
17		131205-19830	STRAINER, FUEL	1		



PB-260LS, -1--1, Fan Case
PB-260LS, 2008/11/28

No.5



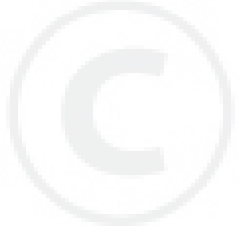
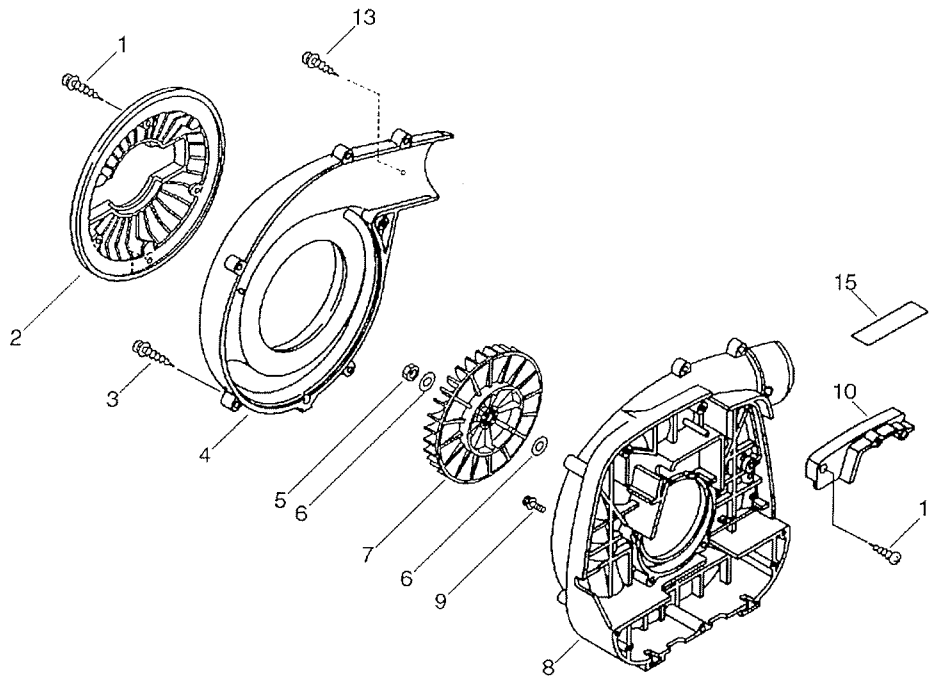
PB-260LS, -1--1, Fan Case
 PB-260LS, 2008/11/28

Key	Lv	Part no.	Part description	Quantity	Note1	Note2
1		900253-05016	SCREW	3		
2		200124-09560	GRID, FAN CASE	1		
3		900253-05020	SCREW 5*20	6		
4		E103-000050	CASE,FAN	1		
5		900500-00008	NUT 8	1		
6		100132-05660	WASHER	2		
7		E100-000020	FAN,BLOWER	1		
8		E103-000040	CASE,FAN	1		
9		900242-05020	SCREW 5*20	4	Sus. by 900162-05020	
9		900162-05020	BOLT, H.S. 5*20	4		
10		E109-000000	LID,FANCASE	1		
11		900253-05016	SCREW	2		
12		900602-00008	WASHER 8	1	Disuse	
13		900256-05010	SCREW, TAPPING	1		
15		890160-09461	LABEL, CAUTION	1		
16		X508-000040	LABEL,NOISE	1	Disuse	



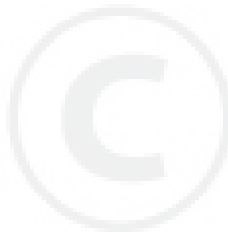
PB-260LS, -1--1, Fan Case
PB-260LS, 2008/11/28

No.5



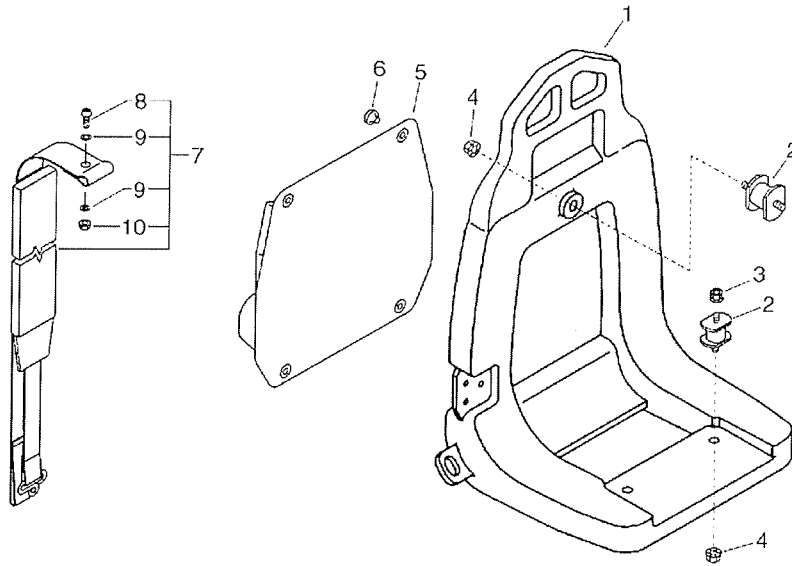
PB-260LS, -1--1, Fan Case
 PB-260LS, 2008/11/28

Key	Lv	Part no.	Part description	Quantity	Note1	Note2
1		900253-05016	SCREW	3		
2		200124-09560	GRID, FAN CASE	1		
3		900253-05020	SCREW 5*20	6		
4		E103-000050	CASE,FAN	1		
5		900500-00008	NUT 8	1		
6		100132-05660	WASHER	2		
7		E100-000020	FAN,BLOWER	1		
8		E103-000040	CASE,FAN	1		
9		900242-05020	SCREW 5*20	4	Sus. by 900162-05020	
9		900162-05020	BOLT, H.S. 5*20	4		
10		E109-000000	LID,FANCASE	1		
11		900253-05016	SCREW	2		
12		900602-00008	WASHER 8	1	Disuse	
13		900256-05010	SCREW, TAPPING	1		
15		890160-09461	LABEL, CAUTION	1		
16		X508-000040	LABEL,NOISE	1	Disuse	



PB-260LS, -1--1, Harness
PB-260LS, 2008/11/28

No.6



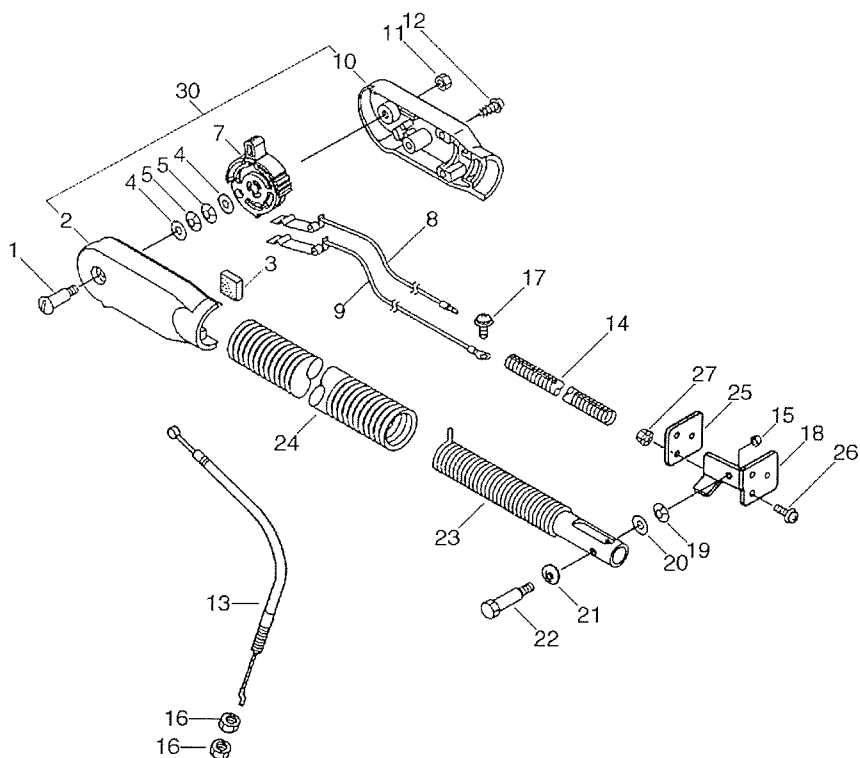
PB-260LS, -1--1, Harness
 PB-260LS, 2008/11/28

Key	Lv	Part no.	Part description	Quantity	Note1	Note2
1		C620-000050	FRAME, BACKPACK	1	Sus. by C620-000051	
1		C620-000051	FRAME, BACKPACK	1		
2		104910-11410	CUSHION	3		
3		900515-00006	NUT, FLANGE 6	2		
4		250916-06210	NUT	3		
5		300105-08260	CUSHION, KNAPSACK	1	Sus. by 300105-08261	
5		300105-08261	CUSHION, KNAPSACK	1		
6		300333-06160	CLIP	4	Sus. by V491-000120	
6		V491-000120	CLIP	4		
7		P021-001760	HARNESS, KNAPSACK	1	Sus. by P021-001761	
7		P021-001761	HARNESS, KNAPSACK	1		
8	+	91540-05014	SCREW, TRUSS	2		
9	+	300217-00610	WASHER	4		
10	+	900516-00005	NUT, FRANGE 5	2		



PB-260LS, -1--1, Hip Throttle
PB-260LS, 2008/11/28

No.7

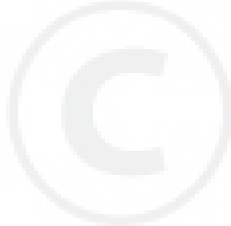
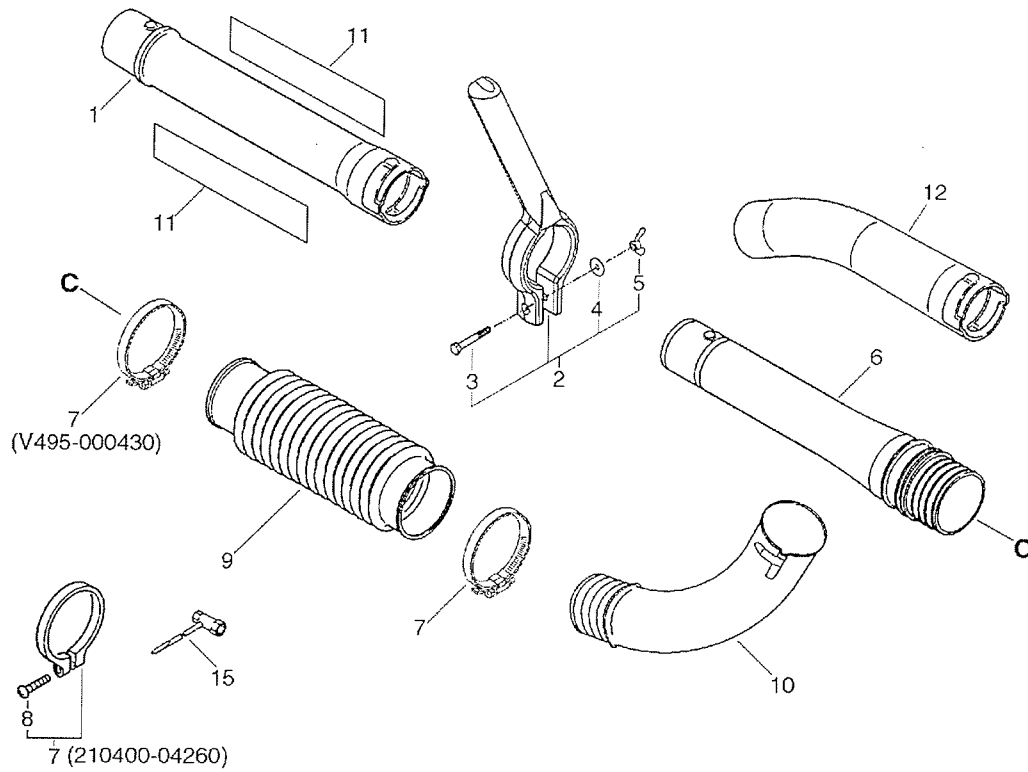


PB-260LS, -1--1, Hip Throttle
 PB-260LS, 2008/11/28

Key	Lv	Part no.	Part description	Quantity	Note1	Note2
1		604030-21060	SCREW 4	1		
2		C471-000030	FIXTURE,TRIGGER	1	Sus. by P021-003010	
10		C471-000040	FIXTURE,TRIGGER	1	Sus. by P021-003010	
30		P021-003010	FIXTURE,TRIGGER SET	1		
2	+	C471-000050	FIXTURE,TRIGGER	1		
10	+	C471-000060	FIXTURE,TRIGGER	1		
3		104293-21060	PAD, FOAM	1		
4		699118-04560	WASHER	2		
5		178160-21060	WASHER, FRICTION	2		
7		C453-000020	LEVER,THROTTLE	1	Sus. by C453-000021	
7		C453-000021	LEVER,THROTTLE	1		
8		V485-000060	LEAD	1		
9		V485-000121	LEAD	1		
11		900560-00004	LOCKNUT	1		
12		889950-21060	SCREW 5	3		
13		V430-000120	CABLE,BOWDEN	1		
14		162023-21061	TUBE	1		
15		900030-10008	NUT 1/4-20	1		
16		900502-00006	NUT 6 (3N)	2		
17		900238-05010	SCREW 5*10	1		
18		C625-000000	FIXTURE,B.FRAME	1		
19		701017-21060	WASHER	1	Sus. by 701017-21061	
19		701017-21061	WASHER	1		
20		694029-21060	WASHER	1		
21		178129-21060	WASHER, WAVE	1		
22		432617-21060	BOLT 6	1		
23		V475-000920	TUBE	1		
24		V475-000910	TUBE	1		
25		C625-000010	FIXTURE,B.FRAME	1		
26		900238-05016	SCREW 5*16	3		
27		900516-00005	NUT, FRANGE 5	3		

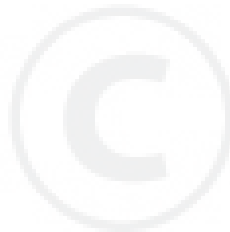
PB-260LS, -1--1, Pipe, Tool
PB-260LS, 2008/11/28

No.8



PB-260LS, -1--1, Pipe, Tool
 PB-260LS, 2008/11/28

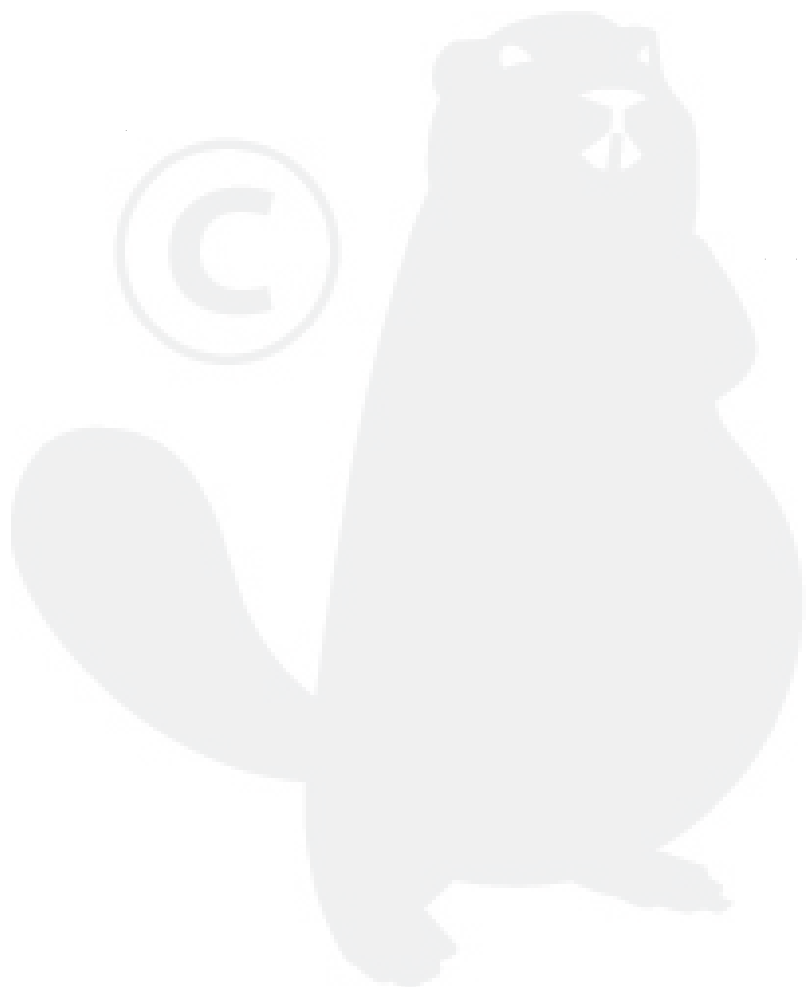
Key	Lv	Part no.	Part description	Quantity	Note1	Note2
1		210015-03460	PIPE, STRAIGHT (BL)	1		
2		351300-09860	HANDLE ASY(PB-2) BL	1		
3	+	900100-06045	BOLT 6*45	1		
4	+	900600-00006	WASHER 6	1		
5	+	900525-00006	NUT, WING 6	1		
6		212005-07560	PIPE, BLOWER	1		
7		210400-04260	CLAMP W/SCREW	2	Sus. by V495-000430	
7		V495-000430	BAND	2		
8	+	900235-05025	SCREW 5*25	2	Can be used on 210400-04260 only	
9		E164-000000	PIPE,FLEXIBLE	1		
10		E160-000041	PIPE,MAIN	1		
11		890118-04261	LABEL, ECHO	2	Sus. by 890118-04262	
11		890118-04262	LABEL, ECHO	2		
12		210023-03460	PIPE, CURVED (BL)	1		
15		895410-00430	WRENCH, W/S. DRIVER	1		



PB-260LS, -1--1, Carburetor
 PB-260LS, 2008/11/28

Key	Lv	Part no.	Part description	Quantity	Note1	Note2
1		A021-000121	CARBURETOR,DIAPHRAGM	1	Sus. by A021-000122	
1		A021-000122	CARBURETOR,DIAPHRAGM	1		
3	+	123114-40630	SCREW	2		
4	+	P003-000180	BRACKET CABLE	1		
5	+	123172-45130	SWIVEL	1		
6	+	123149-54230	WASHER	1		
7	+	123173-07930	CLIP	1		
8	+	123143-12110	RING, PACKING	1		
9	+	123183-40630	O-RING	1		
10	+	P003-000460	JET	1		
11	+	P003-000100	GASKET, PUMP	1		
12	+	123112-40630	DIAPHRAGM, PUMP	1		
13	+	P003-000440	BODY ASY, PUMP	1		
14	++	123126-10631	SCREEN, INLET	1		
15	++	123137-19830	VALVE, INLET NEEDLE	1		
16	++	P003-000450	SPRING, METER. LEVER	1		
17	++	123138-03930	PIN, METERING LEVER	1		
18	++	123123-03930	LEVER, METERING	1		
19	++	123139-05560	SCREW, M. LEVER PIN	1		
20	+	123140-05560	GASKET, M. DIAPHRAGM	1		
21	+	P003-000090	METERING, DIAPHRAGM	1		
22	+	123180-05560	BODY, AIR PURGE	1		
23	+	123181-40630	PUMP, PRIMER	1		
24	+	123142-05560	COVER, PRIMER PUMP	1		
25	+	123110-05560	SCREW, PUMP COVER	4		

PB-260LS, -1--1, Repair Kit
PB-260LS, 2008/11/28



PB-260LS, -1--1, Repair Kit
 PB-260LS, 2008/11/28

Key	Lv	Part no.	Part description	Quantity	Note1	Note2
		P003-000190	REPAIR KIT	1		
9-8	+	123143-12110	RING, PACKING	1		
9-12	+	123112-40630	DIAPHRAGM, PUMP	1		
9-14	+	123126-10631	SCREEN, INLET	1		
9-15	+	123137-19830	VALVE, INLET NEEDLE	1		
9-18	+	123123-03930	LEVER, METERING	1		
9-20	+	123140-05560	GASKET, M. DIAPHRAGM	1		
	+	123125-40630	GASKET, PUMP	1		
	+	123140-02960	GASKET, M. DIAPHRAGM	1		
	+	123141-03930	DIAPHRAGM, METERING	1		
	+	123159-40630	GASKET, PLATE	1		
		P003-000200	DIAPHRAGM/GASKET KIT	1		
9-8	+	123143-12110	RING, PACKING	1		
9-12	+	123112-40630	DIAPHRAGM, PUMP	1		
9-20	+	123140-05560	GASKET, M. DIAPHRAGM	1		
	+	123125-40630	GASKET, PUMP	1		
	+	123140-02960	GASKET, M. DIAPHRAGM	1		
	+	123141-03930	DIAPHRAGM, METERING	1		
	+	123159-40630	GASKET, PLATE	1		

