

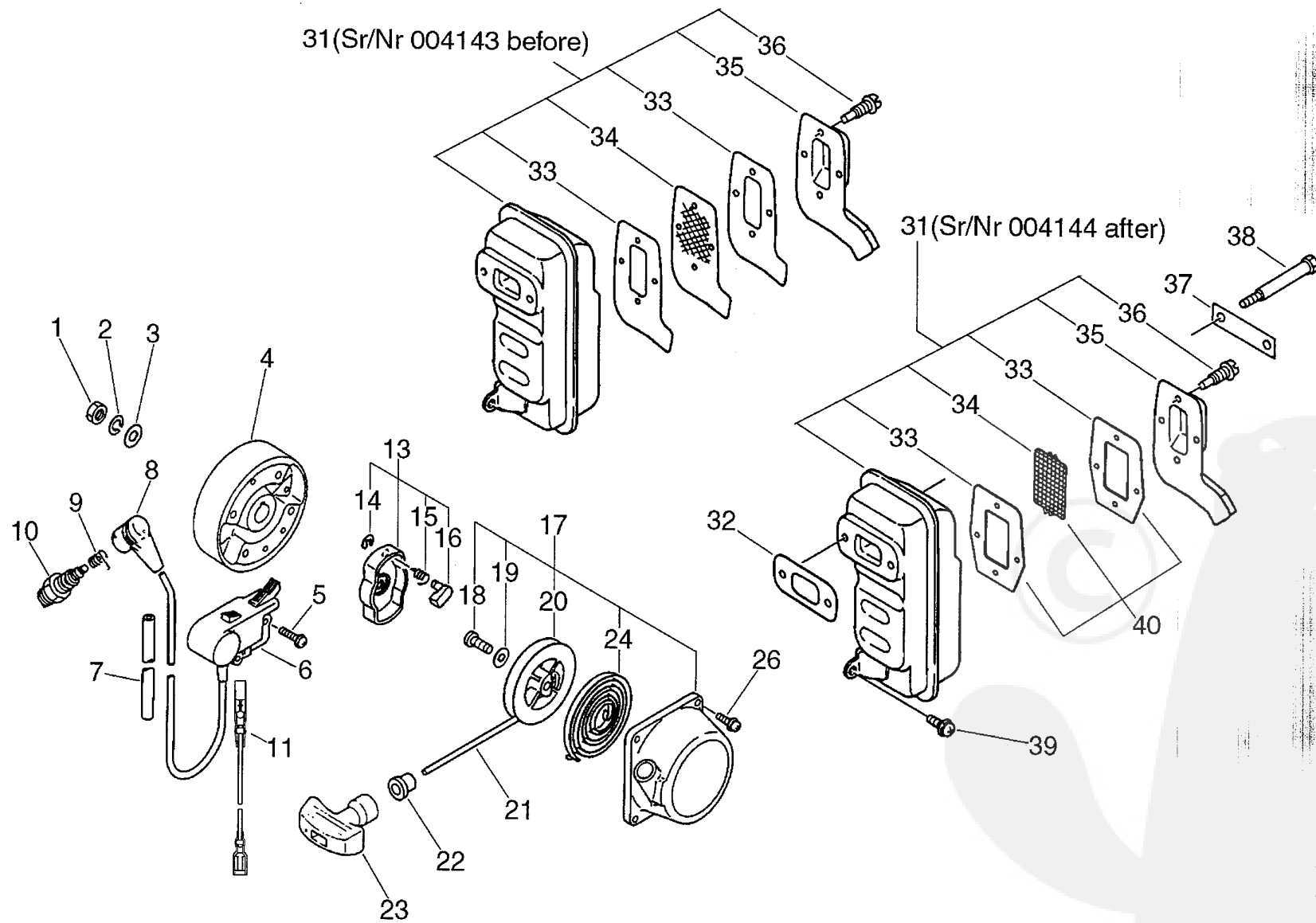
# Parts List

Group:Power Blowers Model:PB-46LN(6digits)(36) Section:Cylinder, Crankcase, Piston( 1)

Date:4-11-2010 Page: 1

Key	Lv	Part Number	Q'ty	Description	Remarks	Note
3		101514-21260	1	COVER, CYLINDER		
4		145510-06210	1	GASKET, MUFFLER	Sus. by 145510-06211	
4		145510-06211	1	GASKET, MUFFLER		
5		900162-05022	4	BOLT, H.S. 5*22		
6		101011-08260	1	CYLINDER	Sus. by 101011-08261	
6		101011-08261	1	CYLINDER	Sr/Nr 007588 and before	
6		A130-000210	1	CYLINDER	Sr/Nr 007589 and after	
7		900238-05010	1	SCREW 5*10		
8		101514-08260	1	COVER, CYLINDER		
9		130016-06211	1	GASKET, INTAKE		
10		101010-10722	1	GASKET, CYL. BASE		
11		100000-03210	1	PISTON KIT	Sr/Nr 007588 and before	
11		P021-002540	1	PISTON KIT	Sr/Nr 007589 and after	
12	+	100011-10530	2	RING, PISTON		
13	+	100013-00410	1	PIN, PISTON		
14	+	100015-00120	2	CIRCLIP, PISTON PIN		
15	+	100012-12330	1	BEARING, NEEDLE	Sus. by 100012-12331	
15	+	100012-12331	1	BEARING, NEEDLE		
17		100204-08261	1	CRANKCASE KIT		
18	+	900810-36202	2	BEARING, BALL 6202		
19	+	100215-03930	2	PIN, DOWEL		
20	+	900162-05040	4	BOLT, H.S. 5*40		
21	+	100213-00310	2	OILSEAL		
22	+	100242-10721	1	GASKET, CRANKCASE		
25		159129-08260	1	COVER, DUST		
26		900238-05018	1	SCREW 5*18		
27		151112-04630	1	BUSHING		
28		900162-05032	6	BOLT, H.S. 5*32		





# P a r t s L i s t

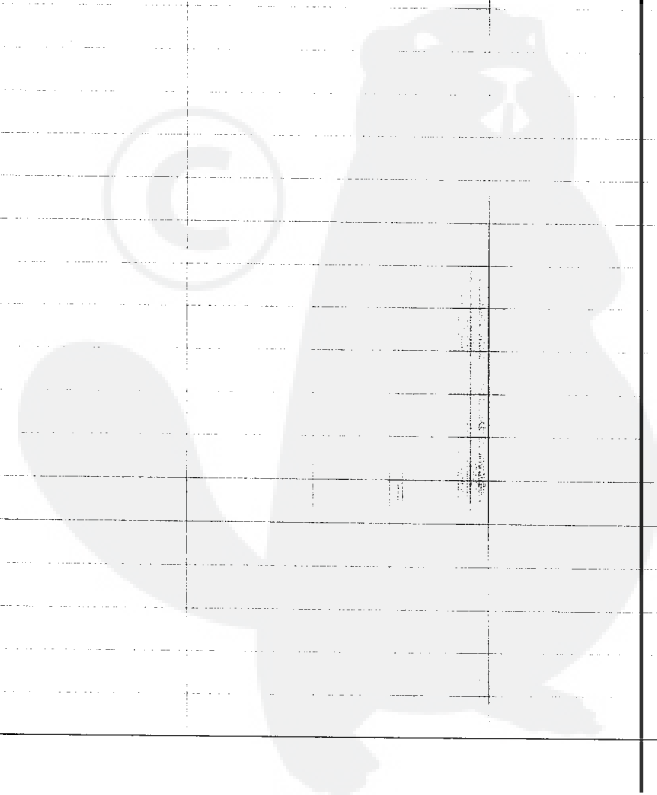
Group:Power Blowers Model:PB-46LN(6digits)(36) Section:Starter, Magneto, Muffler( 2)

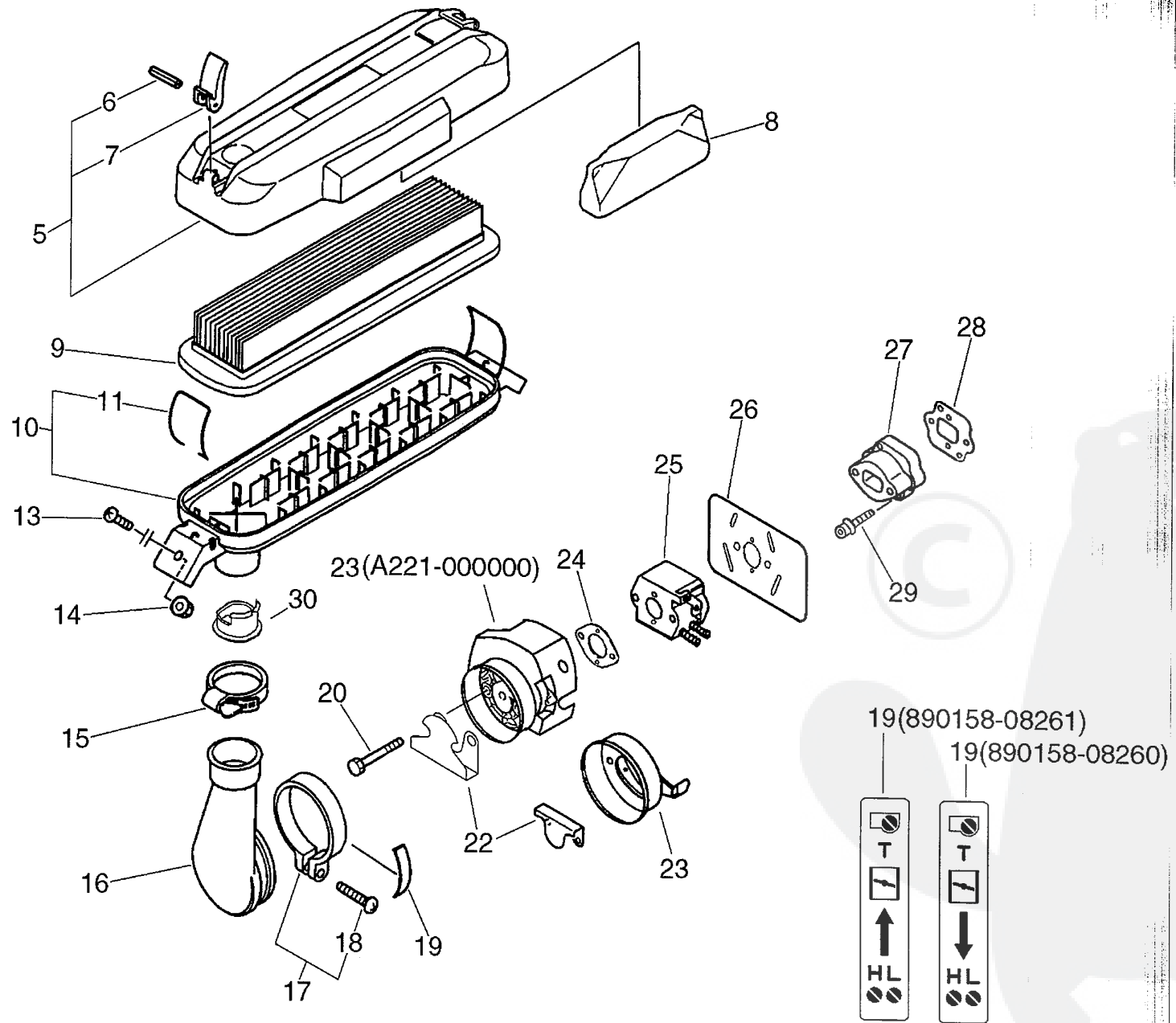
Key	Lv	Part Number	Q'ty	Description	Remarks	Note
1		900501-00010	1	NUT 10*1.25		
2		900605-00010	1	WASHER, SPRING 10		
3		900602-00010	1	WASHER 10(10.5*21*2)		
4		156800-06161	1	ROTOR, MAGNETO		
5		900238-05018	2	SCREW 5*18		
6		156601-09861	1	C.D. IGNITION MODULE	Sus. by 156601-08360	
6		156601-08360	1	C.D. IGNITION MODULE		
11 +		162021-08260	1	LEAD	Sus. by V485-000190	
11		V485-000190	1	LEAD		
7		156111-06160	1	TUBE 6.3*8*380		
8		159012-01620	1	CAP, SPARK PLUG		
9		159011-03432	1	COIL, SPARK PLUG CAP		
10		159010-10230	1	PLUG, SPARK (BPMR-7A		
13		177202-06210	1	PAWL ASSY, STARTER		
14 +		900700-00004	1	E-RING 4		
15 +		177234-40630	1	SPRING, RETURN		
16 +		177218-40630	1	PAWL, STARTER		
17		177200-21260	1	STARTER ASSY		
18 +		177236-40630	1	SCREW		
19 +		177214-40630	1	WASHER		
20 +		177215-11120	1	DRUM, STARTER		
21 +		177226-11120	1	ROPE, STARTER		
22 +		177227-42030	1	GUIDE, ROPE		
23 +		177228-01110	1	GRIP, STARTER		
24 +		177220-11120	1	REWIND SPRING		
26		900162-04018	4	BOLT, H.S. 4*18	Sus. by 900163-04018	
26		900163-04018	4	BOLT, HSH 4*18		
31		145802-21260	1	MUFFLER ASSY	Sus. by 145800-21261	

# P a r t s L i s t

Group:Power Blowers Model:PB-46LN(6digits)(36) Section:Starter, Magneto, Muffler( 2)

Key	Lv	Part Number	Q'ty	Description	Remarks	Note
31		145800-21261	1	MUFFLER ASSY		
33 +		145866-21060	2	GASKET, MUFFLER LID	Sr/Nr 004143 and before	
33 +		145866-21360	2	GASKET, MUFFLER LID	Sr/Nr 004144 and after	
34 +		145862-21060	1	SCREEN, MUFFLER	Sus. by 145862-21260	
34 +		145862-21260	1	SCREEN, MUFFLER		
35 +		145809-21260	1	LID, MUFFLER	Sus. by 145809-21261	
35 +		145809-21261	1	LID, MUFFLER		
36 +		145888-21060	4	BOLT 4	Sus. by 900080-00400	
36 +		900080-00400	4	SCREW		
32		145510-06210	1	GASKET, MUFFLER	Sus. by 145510-06211	
32		145510-06211	1	GASKET, MUFFLER		
37		145515-21060	1	PLATE, EYE	Sus. by 145515-21061	
37		145515-21061	1	PLATE, EYE		
38		145887-21060	2	BOLT 6		
39		900162-05020	1	BOLT, H.S. 5*20		
40		P021-000300	1	SCREEN KIT		
33 +		145866-21360	2	GASKET, MUFFLER LID	Sr/Nr 004144 and after	
34 +		145862-21260	1	SCREEN, MUFFLER		





# P a r t s L i s t

Date:4-11-2010 Page: 1

Group:Power Blowers Model:PB-46LN(6digits)(36) Section:Air Cleaner(Sr/Nr 36004200 and before) ( 3)

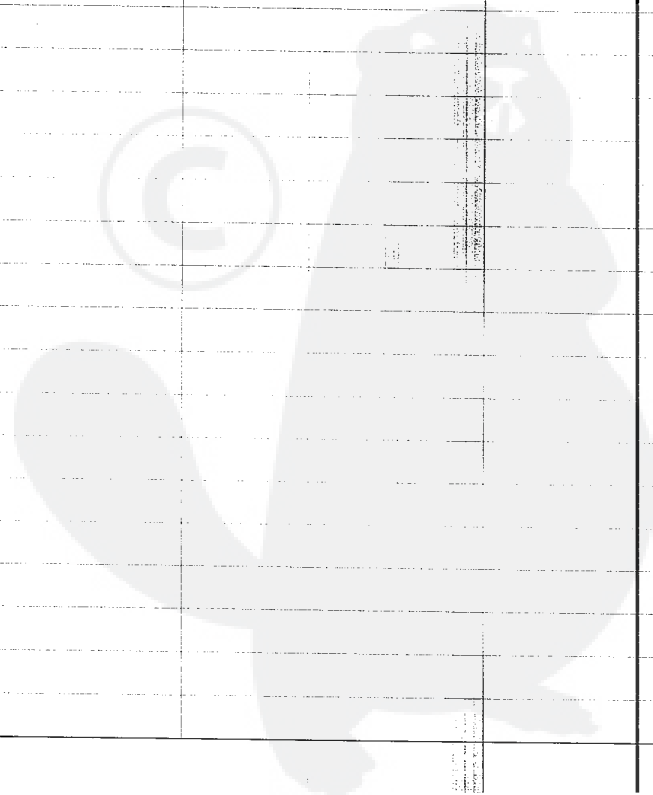
Key	Lv	Part Number	Q'ty	Description	Remarks	Note
5		130308-08360	1	COVER, AIR CLEANER		
6	+	900345-30025	2	PIN, SPRING 3*25		
7	+	130341-08260	2	KNOB		
8		145637-21260	1	SILENSER		
9		130305-08360	1	FILTER, AIR	Sus. by 130305-08361	
9		130305-08361	1	FILTER, AIR		
10		130307-08360	1	CASE, AIR CLEANER		
11	+	131032-08360	2	CLIP		
13		900209-05014	2	SCREW, 5*14	Sus. by 91540-05014	
13		91540-05014	2	SCREW, TRUSS		
14		900516-00005	2	NUT, FRANGE 5		
15		130715-08260	1	BAND		
16		130711-08260	1	ADAPTER, INTAKE		
17		210400-00660	1	CLAMP W/SCREW		
18	+	900238-05025	1	SCREW 5*25		
19		890158-08260	1	LABEL, CHOKE	Sr/Nr 007788 and before	
19		890158-08261	1	LABEL, CHOKE	Sr/Nr 007789 and after	
20		900220-05050	2	SCREW 5*50	Sr/Nr 007788 and before	
20		900242-05057	2	SCREW 5*57	Sr/Nr 007789 and after	
22		129011-08260	1	PLATE	Sus. by A244-000020	
22		A244-000020	1	PLATE, PREVENT		
23		130405-09860	1	BRACKET, AIR CLEANER	Sus. by 130405-09862	
23		130405-09861	1	BRACKET, AIR CLEANER	Sus. by 130405-09862	
23		130405-09862	1	BRACKET, AIR CLEANER	Sr/Nr 007788 and before	
23		A221-000000	1	FIXTURE, CLEANER	Sr/Nr 007789 and after	
24		130016-03731	1	GASKET, CARBURETOR		
25		125200-08560	1	CARBURETOR ASSY	Sus. by 125200-08564	
25		125200-08561	1	CARBURETOR ASSY	Sus. by 125200-08564	

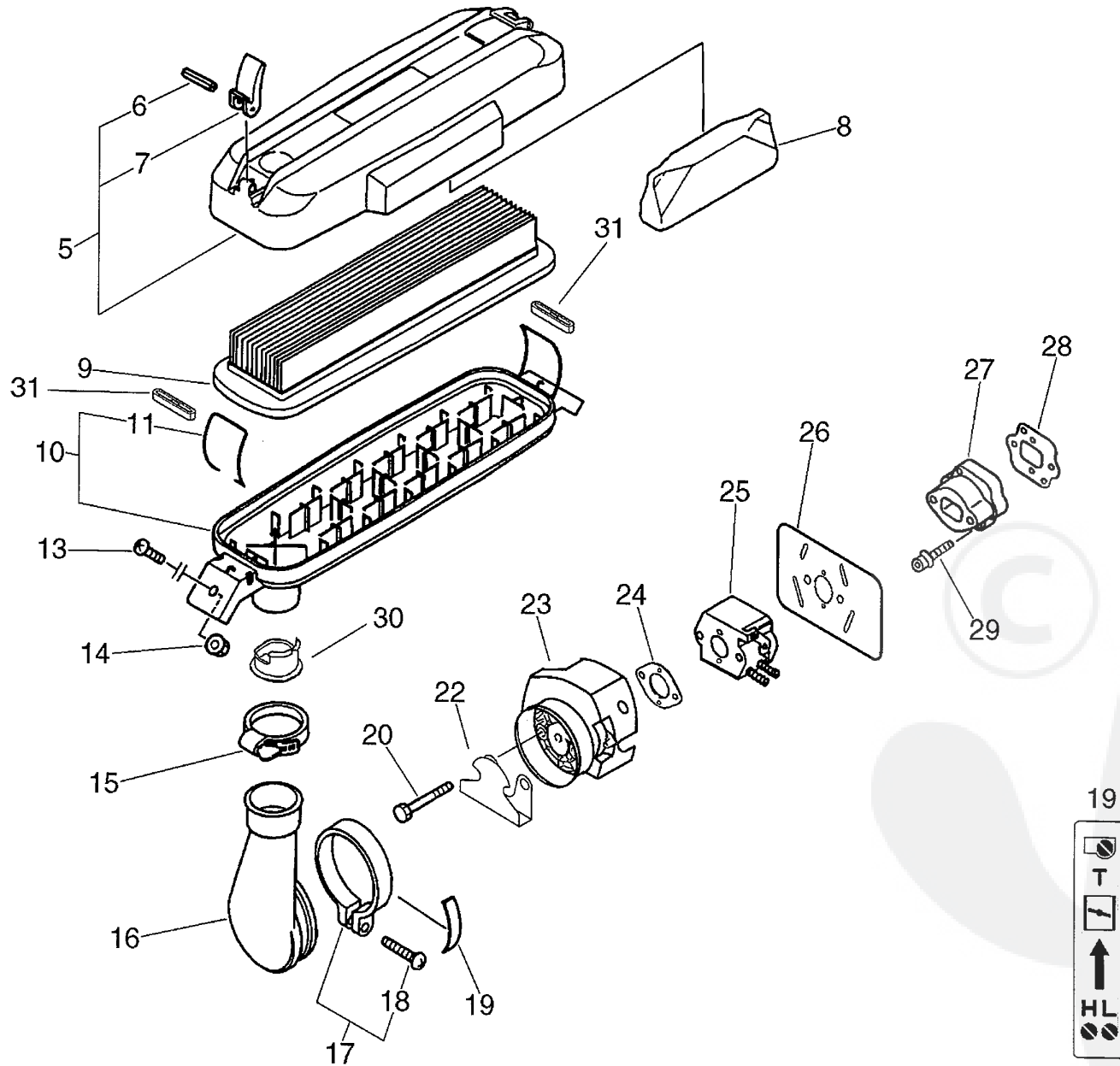


# Parts List

Group:Power Blowers Model:PB-46LN(6digits)(36) Section:Air Cleaner(Sr/Nr 36004200 and before)( 3)

Key	Lv	Part Number	Q'ty	Description	Remarks	Note
25		125200-08562	1	CARBURETOR ASSY	Sus. by 125200-08564	
25		125200-08563	1	CARBURETOR ASSY	Sus. by 125200-08564	
25		125200-08564	1	CARBURETOR ASSY		
26		130010-21260	1	GASKET, INTAKE	Sus. by 130010-21262	
26		130010-21261	1	GASKET, INTAKE	Sus. by 130010-21262	
26		130010-21262	1	GASKET, INTAKE		
27		130007-08260	1	INSULATOR	Sus. by 130007-08261	
27		130007-08261	1	INSULATOR		
28		130010-10323	1	GASKET	Sus. by V103-000000	
28		V103-000000	1	GASKET		
29		900162-05025	2	BOLT, H.S. 5*25		
30		178076-08360	1	COLLAR		

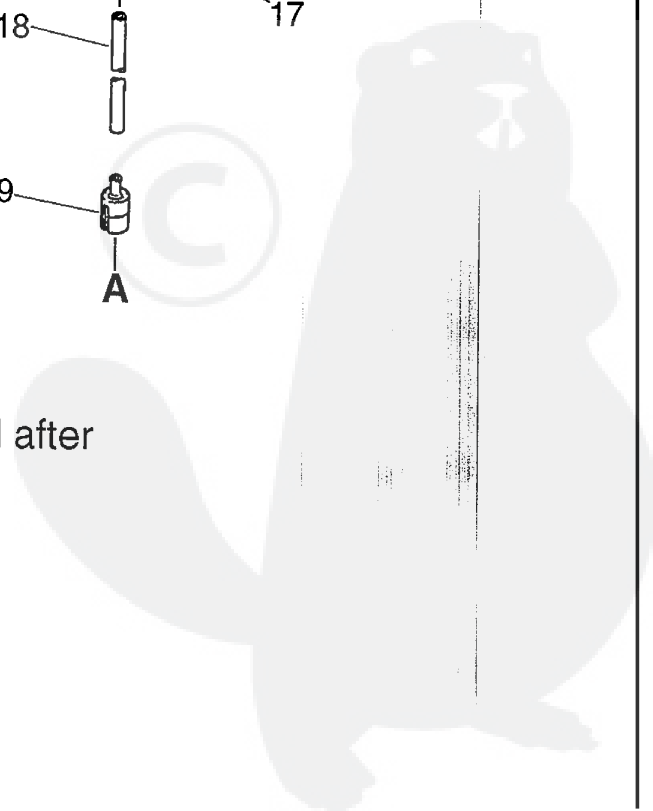
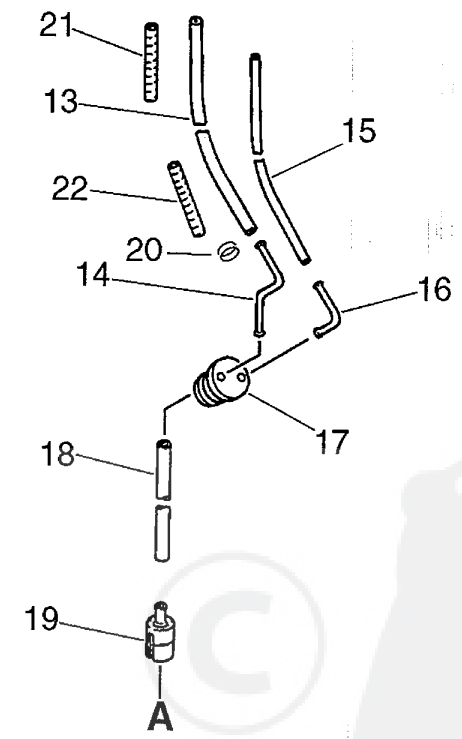
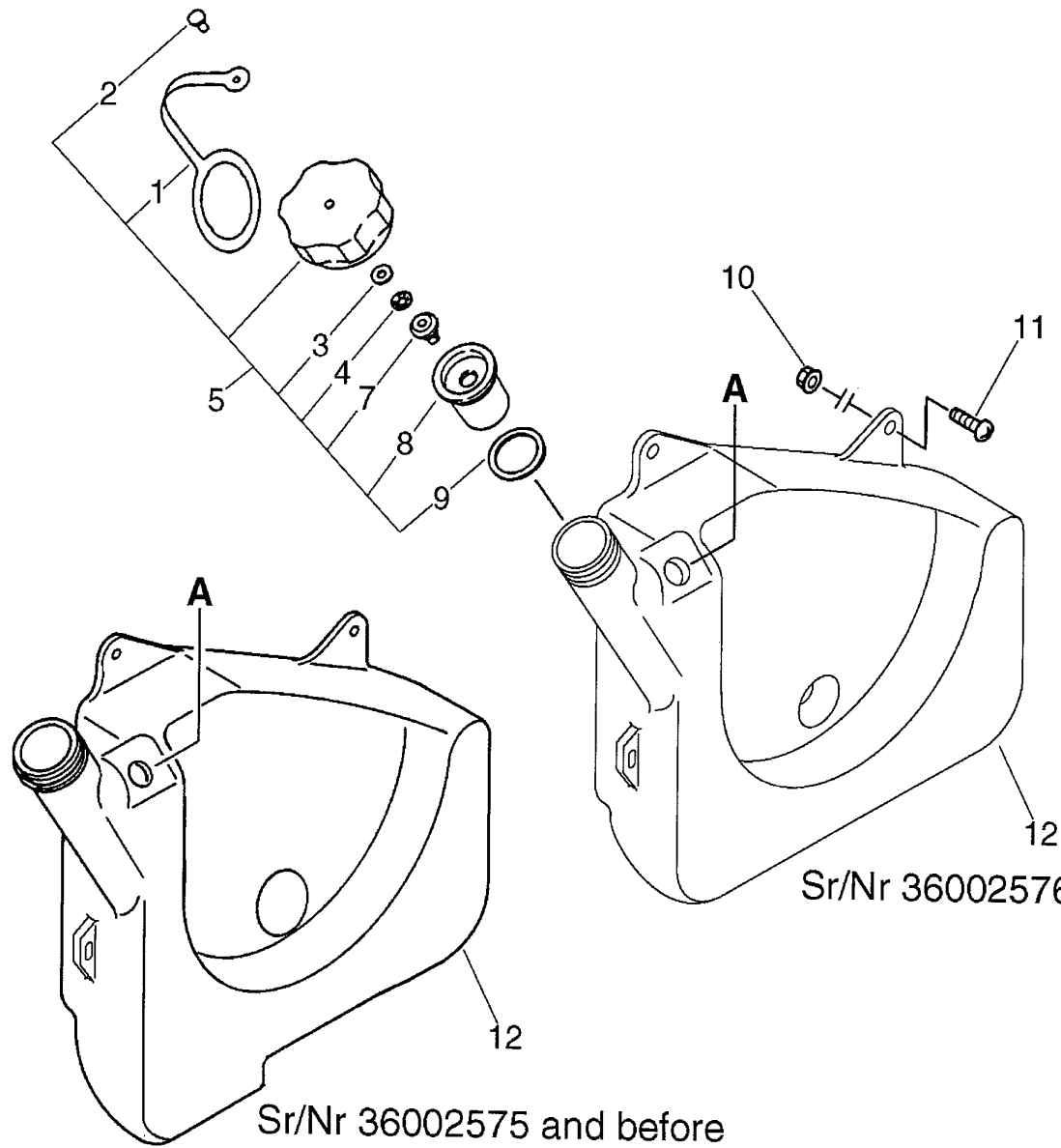




# Parts List

Group:Power Blowers Model:PB-46LN(6digits)(36) Section:Air Cleaner(Sr/Nr 36004201 and after)( 4)

Key	Lv	Part Number	Q'ty	Description	Remarks	Note
5		130308-08360	1	COVER, AIR CLEANER		
6	+	900345-30025	2	PIN, SPRING 3*25		
7	+	130341-08260	2	KNOB		
8		145637-21260	1	SILENSER		
9		130305-08361	1	FILTER, AIR		
10		130307-08360	1	CASE, AIR CLEANER		
11	+	131032-08360	2	CLIP		
13		91540-05014	2	SCREW, TRUSS		
14		900516-00005	2	NUT, FRANGE 5		
15		130715-08260	1	BAND		
16		130711-08260	1	ADAPTER, INTAKE		
17		210400-00660	1	CLAMP W/SCREW		
18	+	900238-05025	1	SCREW 5*25		
19		890158-08261	1	LABEL, CHOKE		
20		900242-05057	2	SCREW 5*57		
22		A244-000020	1	PLATE, PREVENT		
23		A221-000000	1	FIXTURE, CLEANER		
24		130016-03731	1	GASKET, CARBURETOR		
25		125200-08564	1	CARBURETOR		
26		130010-21262	1	GASKET, INTAKE		
27		130007-08261	1	INSULATOR		
28		V103-000000	1	GASKET, INTAKE		
29		900162-05025	2	BOLT, H.S. 5*25		
30		178076-08360	1	COLLAR		
31		V491-000220	2	CLIP		

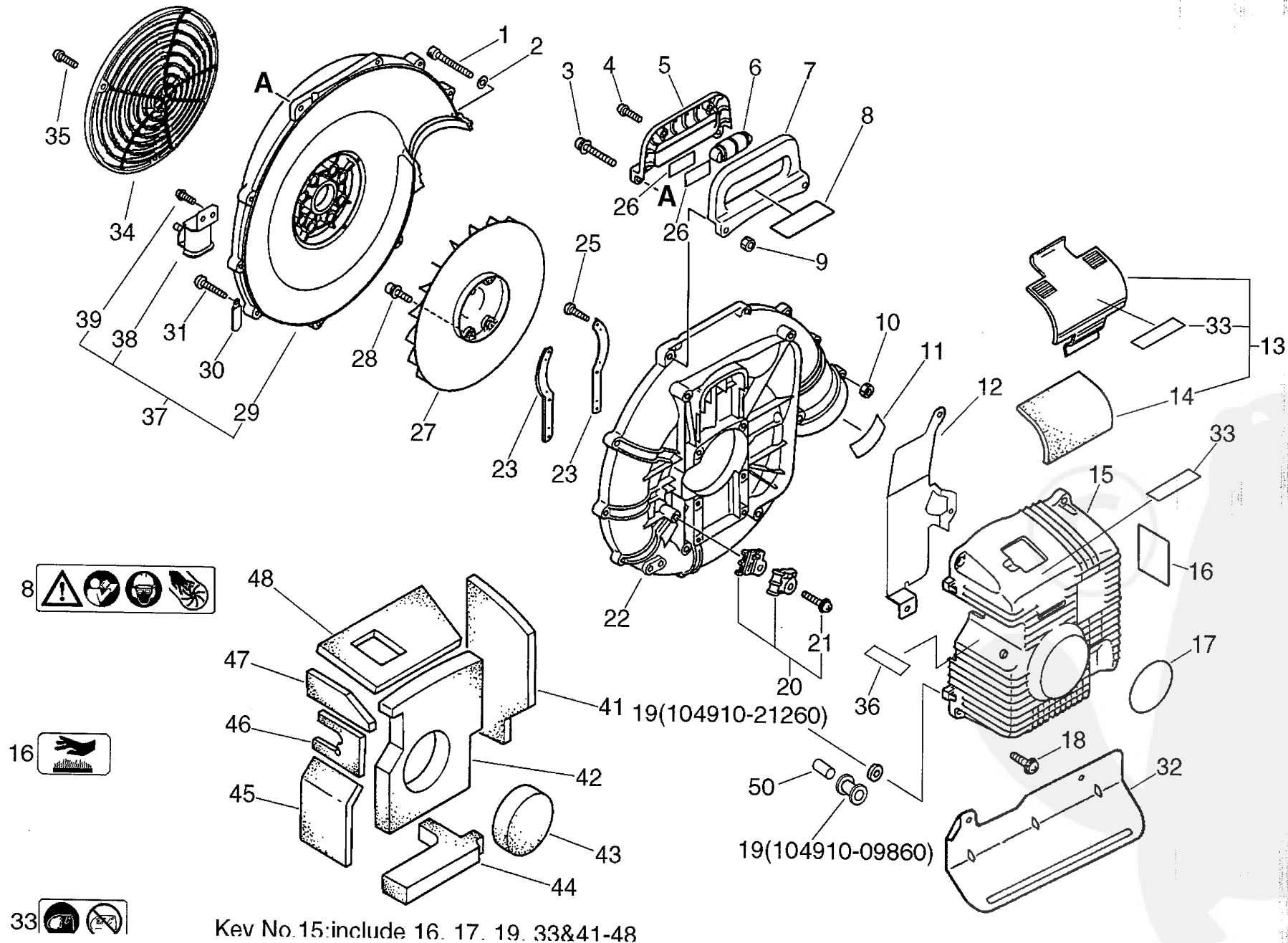


# P a r t s L i s t

Group:Power Blowers Model:PB-46LN(6digits)(36) Section:Fuel Tank( 5)

Key	Lv	Part Number	Q'ty	Description	Remarks	Note
5		131600-09860	1	CAP ASSY, FUEL TANK	Sus. by 131600-09861	
5		131600-09861	1	CAP ASY, FUEL		
1	+	131051-27230	1	LINK		
2	+	900319-30060	1	RIVET 3*6	Sus. by 900319-30070	
2	+	900319-30070	1	RIVET 3*7		
3	+	900600-00003	1	WASHER 3		
4	+	131053-03060	1	NUT		
7	+	131314-06320	1	VALVE, CHECK		
8	+	131015-21330	1	HOLDER, CHECK VALVE	Sus. by A358-000000	
8	+	A358-000000	1	HOLDER,CHECK VALVE		
9	+	131016-21060	1	GASKET, FUEL CAP		
10		900516-00005	3	NUT, FRANGE 5		
11		900209-05020	3	SCREW, 5*20		
12		131010-08260	1	TANK, FUEL	Sus. by 131010-08265	
12		131010-08261	1	TANK, FUEL	Sus. by 131010-08265	
12		131010-08262	1	TANK, FUEL	Sus. by 131010-08265	
12		131010-08263	1	TANK, FUEL	Sus. by 131010-08265	
12		131010-08264	1	TANK, FUEL	Sus. by 131010-08265	
12		131010-08265	1	TANK, FUEL	Sr/Nr 36002575 and before	
12		131010-08266	1	TANK, FUEL	Sr/Nr 36002576 and after	
13		132010-08260	1	PIPE, FUEL		
14		132011-08260	1	CONNECTOR, FUEL PIPE		
15		132016-08260	1	PIPE, FUEL		
16		132021-08260	1	CONNECTOR, PIPE		
17		132115-02960	1	GROMMET		
18		132012-08261	1	PIPE 3*7*270	Sus. by V471-000770	
18		V471-000770	1	PIPE		
19		131205-19830	1	STRAINER, FUEL	Sus. by 131205-19831	





Key No.15:include 16. 17. 19. 33&41-48

# Parts List

Group:Power Blowers Model:PB-46LN(6digits)(36) Section:Fan Case(Sr/Nr 36001100 and before) ( 6)

Key	Lv	Part Number	Q'ty	Description	Remarks	Note
1		900105-05060	2	BOLT, H.S. 5*60		
2		900602-00005	2	WASHER 5	Sus. by 900600-00005	
2		900600-00005	2	WASHER 5		
3		900238-05045	2	SCREW 5*45		
4		900253-05016	2	SCREW		
5		351110-08260	1	HANDLE		
6		351337-08260	1	WEIGHT, HANDLE		
7		351010-08260	1	HANDLE		
8		890160-09460	1	LABEL, CAUTION	Sus. by 890160-09461	
8		890160-09461	1	LABEL, CAUTION		
9		900516-00005	2	NUT, FRANGE 5		
10		900516-00005	2	NUT, FRANGE 5		
11		890611-21260	1	LABEL, MODEL	Sus. by 890611-21261	
11		890611-21261	1	LABEL, MODEL	Sus. by 890611-21262	
12		145910-21260	1	INSULATOR, MUFFLER	Sr/Nr 009129 and before	
12		A322-000000	1	INSULATOR, MUFFLER	Sr/Nr 36001001 and after, Sus. by A322-000060	
13		159008-21261	1	COVER, PLUG CAP		
14	+	880826-21260	1	PAD, FOAM		
33	+	890160-21260	1	LABEL, CAUTION	Sus. by 890617-21260	
33	+	890617-21260	1	LABEL, CAUTION		
15		104003-21260	1	COVER, ENGINE	Sus. by 104003-21263	
15		104003-21261	1	COVER, ENGINE	Sus. by 104003-21263	
15		104003-21263	1	COVER, ENGINE	Sus. by P021-013090	
16	+	890160-06360	1	LABEL, CAUTION	Sus. by 890160-06361	
16	+	890160-06361	1	LABEL, CAUTION	Sus. by X505-002310	
17	+	890118-21260	1	LABEL, ECHO	Sus. by X502-000230	
17	+	X502-000230	1	LABEL, ECHO	Sus. by X502-000500	
19	+	104910-21260	5	CUSHION	Sus. by 104910-09860	



# P a r t s L i s t

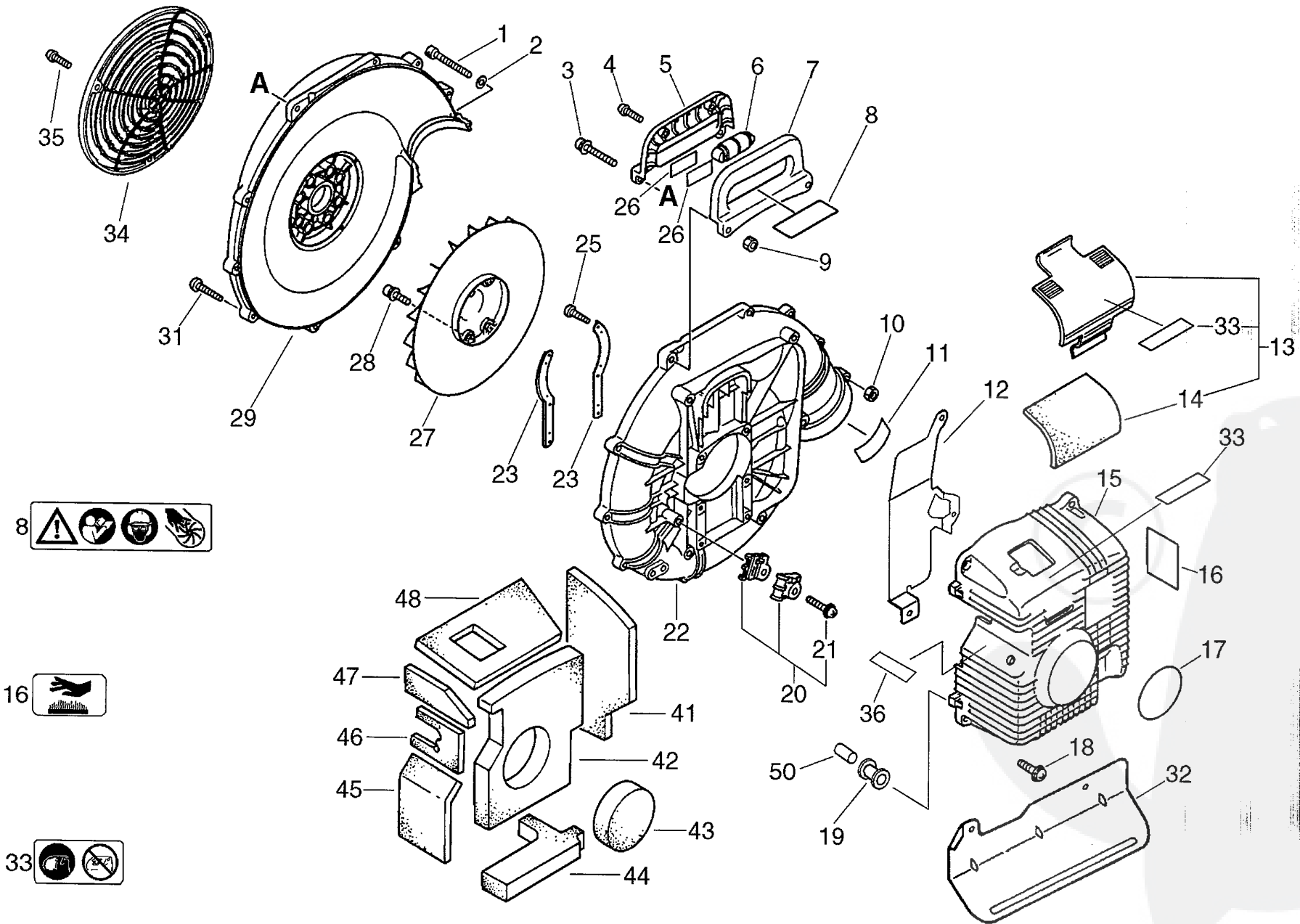
Group:Power Blowers Model:PB-46LN(6digits)(36) Section:Fan Case(Sr/Nr 36001100 and before) ( 6)

Key	Lv	Part Number	Q'ty	Description	Remarks	Note
19	+	104910-09860	5	CUSHION		
33	+	890160-21260	1	LABEL, CAUTION	Sus. by 890617-21260	
33	+	890617-21260	1	LABEL, CAUTION		
41	+	104292-21160	1	PAD, FOAM		
42	+	104295-21160	1	PAD, FOAM		
43	+	104293-21160	1	PAD, FOAM		
44	+	104293-21260	1	PAD, FOAM		
45	+	104292-21260	1	PAD, FOAM		
46	+	104294-21160	1	PAD, FOAM		
47	+	104294-21260	1	PAD, FOAM		
48	+	104295-21260	1	PAD, FOAM		
18		900239-05025	5	SCREW 5*28		
20		178101-08260	1	HOLDER KIT, CABLE		
21	+	900238-05025	1	SCREW 5*25		
22		200110-21261	1	CASE, FAN	Sus. by E103-000103	
22		E103-000100	1	CASE, FAN	Sus. by E103-000103	
22		E103-000101	1	CASE, FAN	Sus. by E103-000103	
22		E103-000102	1	CASE, FAN	Sus. by E103-000103	
22		E103-000103	1	CASE, FAN		
23		104913-08360	2	BRACKET, ENGINE		
25		900246-03012	4	SCREW 3*12		
26		351335-08260	2	CUSHION		
27		200010-09860	1	FAN		
28		900162-05020	4	BOLT, H.S. 5*20		
29		200111-08260	1	CASE, FAN	Sus. by P021-000386	
37		P021-000380	1	CASE, FAN	Sus. by P021-000386	
37		P021-000381	1	CASE, FAN	Sus. by P021-000386	
37		P021-000382	1	CASE, FAN	Sus. by P021-000386	

# P a r t s L i s t

Group:Power Blowers Model:PB-46LN(6digits)(36) Section:Fan Case(Sr/Nr 36001100 and before) ( 6)

Key	Lv	Part Number	Q'ty	Description	Remarks	Note
37		P021-000383	1	CASE, FAN	Sus. by P021-000386	
37		P021-000384	1	CASE, FAN	Sus. by P021-000386	
37		P021-000385	1	CASE, FAN	Sus. by P021-000386	
37		P021-000386	1	CASE, FAN	Sr/Nr 009129 and before	
29 +		200111-08261	1	CASE, FAN	Sus. by 200111-08265	
29 +		200111-08262	1	CASE, FAN	Sus. by 200111-08265	
29 +		200111-08263	1	CASE, FAN	Sus. by 200111-08265	
29 +		200111-08264	1	CASE, FAN	Sus. by 200111-08265	
29 +		200111-08265	1	CASE, FAN	Sr/Nr 004394 and after	
38 +		V401-000000	1	CUSHION, 5	Sus. by V401-000002	
38 +		V401-000001	1	CUSHION, 5	Sus. by V401-000002	
38 +		V401-000002	1	CUSHION, 5	Sr/Nr 004394 to 009129	
39 +		900253-05016	2	SCREW	Sr/Nr 004394 to 009129	
30		159116-21231	1	CLAMP	Sr/Nr 009129 and before	
31		900253-05030	7	SCREW 5*30		
32		104085-21260	1	PLATE, VENT	Sr/Nr 009129 and before	
32		C606-000010	1	PLATE, VENT	Sr/Nr 36001001 and after	
34		200124-09860	1	GRID, FAN CASE		
35		890160-21260	3	SCREW		
36		890560-90660	1	LABEL, PRIMING		
50		104921-21260	5	SPACER	Can be used on the 104910-09860	



# P a r t s L i s t

Date: 4-11-2010 Page: 1

Group: Power Blowers Model: PB-46LN(6digits) (36) Section: Fan Case (Sr/Nr 36001101 and after) ( 7)

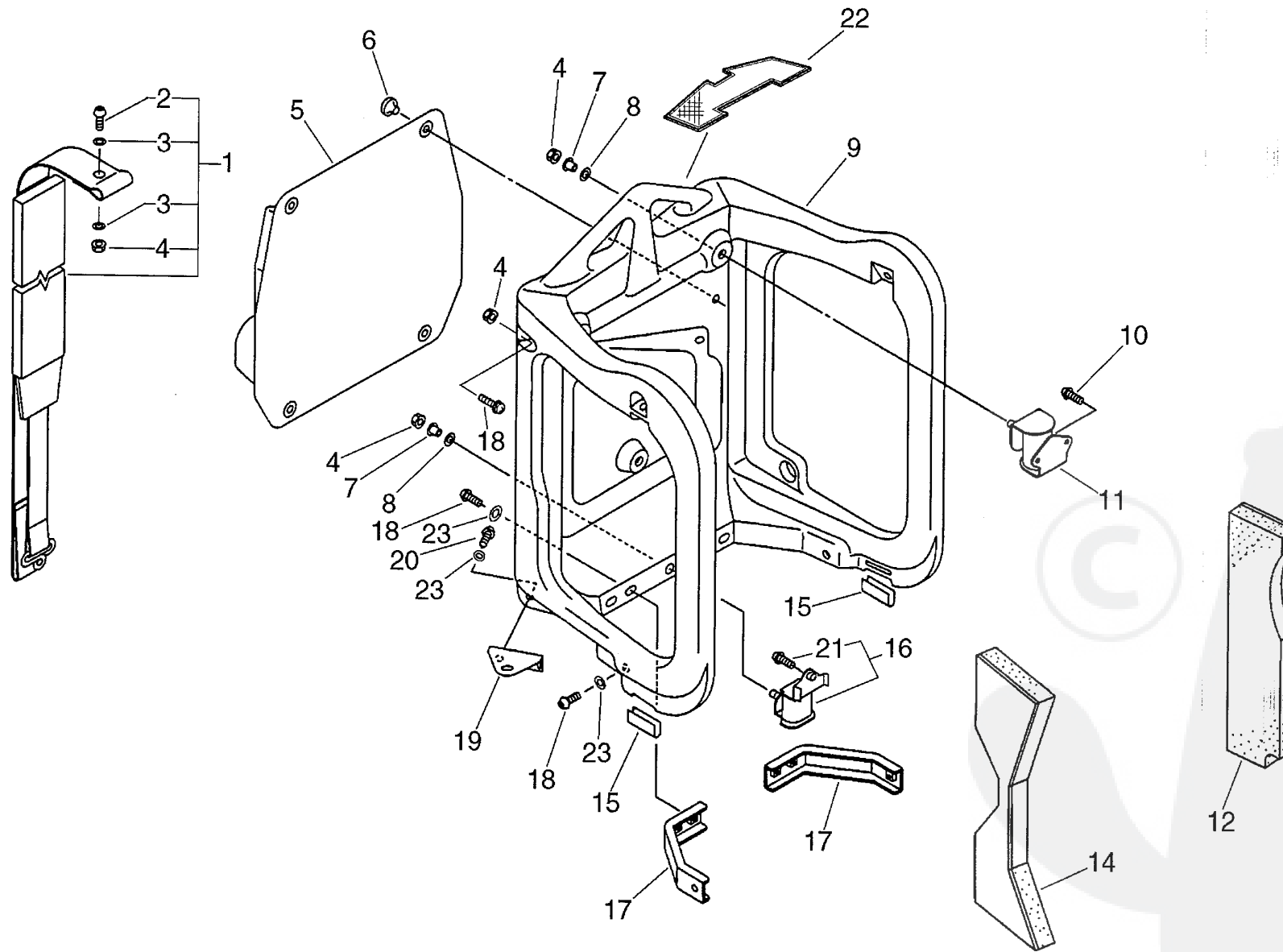
Key	Lv	Part Number	Q'ty	Description	Remarks	Note
1		900105-05060	2	BOLT, H.S. 5*60		
2		900600-00005	2	WASHER 5		
3		900238-05045	2	SCREW 5*45		
4		900253-05016	2	SCREW		
5		351110-08260	1	HANDLE		
6		351337-08260	1	WEIGHT, HANDLE		
7		351010-08260	1	HANDLE		
8		890160-09461	1	LABEL, CAUTION		
9		900516-00005	2	NUT, FRANGE 5		
10		900516-00005	2	NUT, FRANGE 5		
11		890611-21262	1	LABEL, MODEL		
12		145910-21260	1	INSULATOR, MUFFLER		
12		A322-000000	1	INSULATOR, MUFFLER		
13		159008-21261	1	COVER KIT		
14	+	880826-21260	1	PAD, FOAM		
33	+	890617-21260	1	LABEL, CAUTION		
15		104003-21263	1	COVER KIT, ENGINE	Sus. by P021-013090	
15		P021-013090	1	COVER, ENGINE		
16	+	890160-06361	1	LABEL, CAUTION	Sus. by X505-002310	
16	+	X505-002310	1	LABEL, CAUTION		
17	+	X502-000500	1	LABEL, ECHO		
19	+	104910-09860	1	CUSHION		
33	+	890617-21260	2	LABEL, CAUTION		
41	+	104292-21160	1	PAD, FOAM		
42	+	104295-21160	1	PAD, FOAM		
43	+	104293-21160	1	PAD, FOAM		
44	+	104293-21260	1	PAD, FOAM		
45	+	104292-21260	1	PAD, FOAM		

# P a r t s L i s t

Date:4-11-2010 Page: 2

Group:Power Blowers Model:PB-46LN(6digits)(36) Section:Fan Case(Sr/Nr 36001101 and after)( 7)

Key	Lv	Part Number	Q'ty	Description	Remarks	Note
46	+	104294-21160	1	PAD, FOAM		
47	+	104294-21260	1	PAD, FOAM		
48	+	104295-21260	1	PAD, FOAM		
18		900239-05025	5	SCREW 5*25		
20		178101-08260	1	HOLDER KIT, CABLE		
21	+	900238-05025	1	SCREW 5*25		
22		E103-000103	1	CASE, FAN		
23		104913-08360	2	BRACKET, ENGINE		
25		900246-03012	4	SCREW 3*12		
26		351335-08260	2	CUSHION		
27		200010-09860	1	FAN		
28		900162-05020	4	BOLT, H.S. 5*20		
37		P021-000380	1	CASE, FAN		
37		P021-000385	1	CASE, FAN		
37		P021-000386	1	CASE, FAN		
29	+	200111-08264	1	CASE, FAN	Sus. by 200111-08265	
29	+	200111-08265	1	CASE, FAN		
38	+	V401-000002	1	CUSHION, 5		
39	+	900253-05016	2	SCREW		
30		159116-21231	1	CLAMP		
31		900253-05030	7	SCREW 5*30		
32		104085-21260	1	PLATE, VENT		
32		C606-000010	1	PLATE, VENT		
34		200124-09860	1	GRID, FAN CASE		
35		900253-05016	3	SCREW		
36		890560-90660	1	LABEL, PRIMING		
50		104921-21260	5	SPACER		



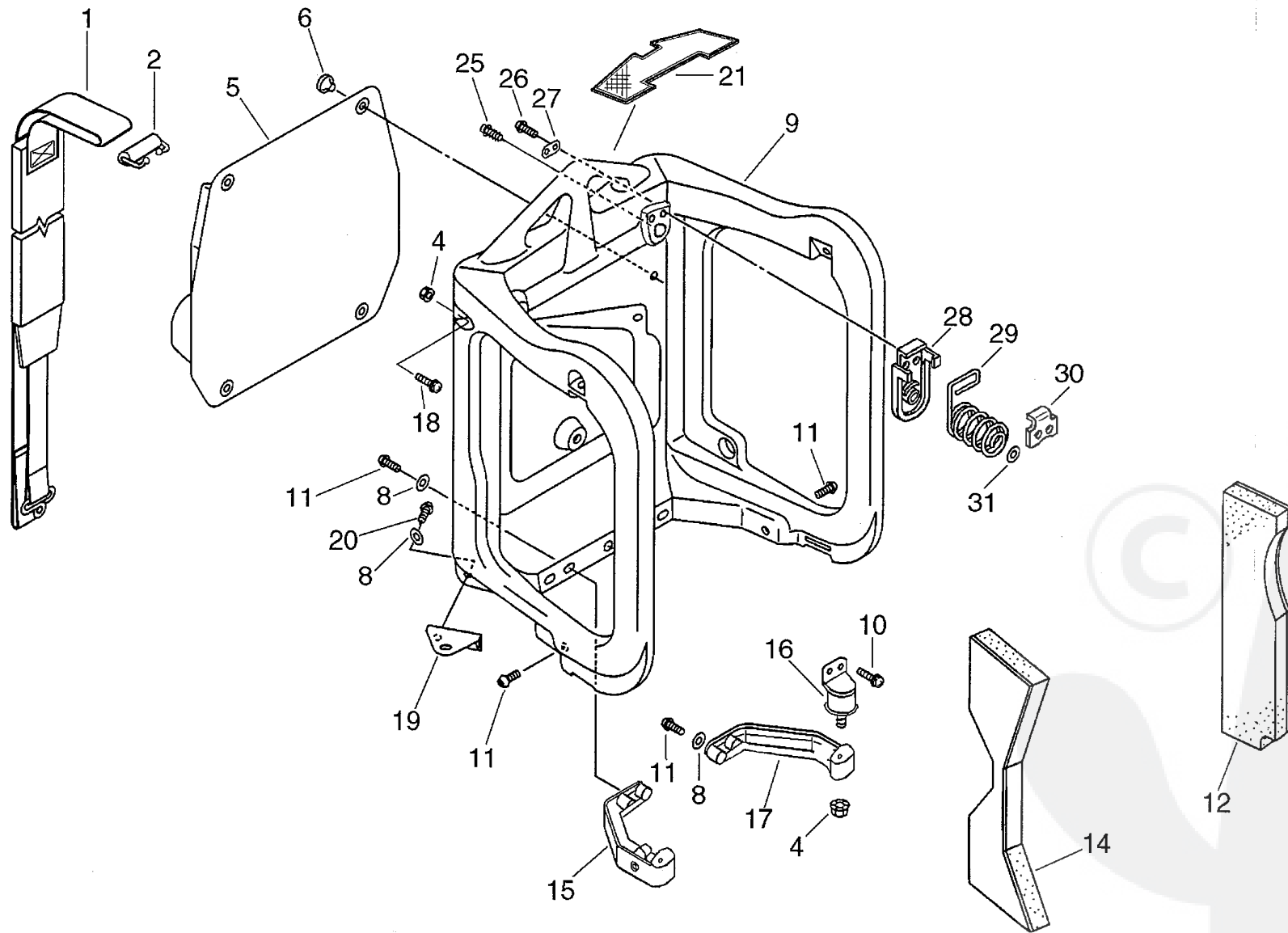
# P a r t s L i s t

Group:Power Blowers Model:PB-46LN(6digits)(36) Section:Harness, Frame(Sr/Nr 009129 and before)( 8)

Key	Lv	Part Number	Q'ty	Description	Remarks	Note
1		300300-08261	2	HARNESS, KNAPSACK	Sus. by P021-001761	
1		P021-001760	2	HARNESS, KNAPSACK	Sus. by P021-001761	
1		P021-001761	2	HARNESS, KNAPSACK	Sus. by C061-000111	
2 +		900209-05014	2	SCREW, 5*14	Sus. by 91540-05014	
2 +		91540-05014	2	SCREW, TRUSS		
3 +		300217-00610	4	WASHER		
4 +		900516-00005	2	NUT, FRANGE 5		
4		900516-00005	5	NUT, FRANGE 5		
5		300105-08260	1	CUSHION, KNAPSACK	Sus. by 300105-08261	
5		300105-08261	1	CUSHION, KNAPSACK		
6		300333-06160	4	CLIP	Sus. by V491-000120	
6		V491-000120	4	CLIP		
7		104915-08260	3	SPACER		
8		131925-02310	3	CUSHION		
9		300010-08360	1	FRAME, BACKPACK	Sus. by 300010-08362	
9		300010-08361	1	FRAME, BACKPACK	Sus. by 300010-08362	
9		300010-08362	1	FRAME, BACKPACK		
10		900253-05016	5	SCREW	Sus. by 900253-05016 QTY:5	
10		900253-05016	4	SCREW	QTY:4	
11		100905-08260	2	CUSHION	Sus. by 100905-08261	
11		100905-08261	2	CUSHION		
12		701161-21260	1	PANEL		
14		701160-21260	1	PANEL		
15		300032-08360	2	BUMPER		
16		100907-08260	1	CUSHION	Sus. by P021-000251	
16		P021-000250	1	CUSHION W/SCREW	Sus. by P021-000251	
16		P021-000251	1	CUSHION W/SCREW	Sr/Nr 004393 and before	
21 +		900220-06022	1	SCREW	Sus. by 91371-06020	



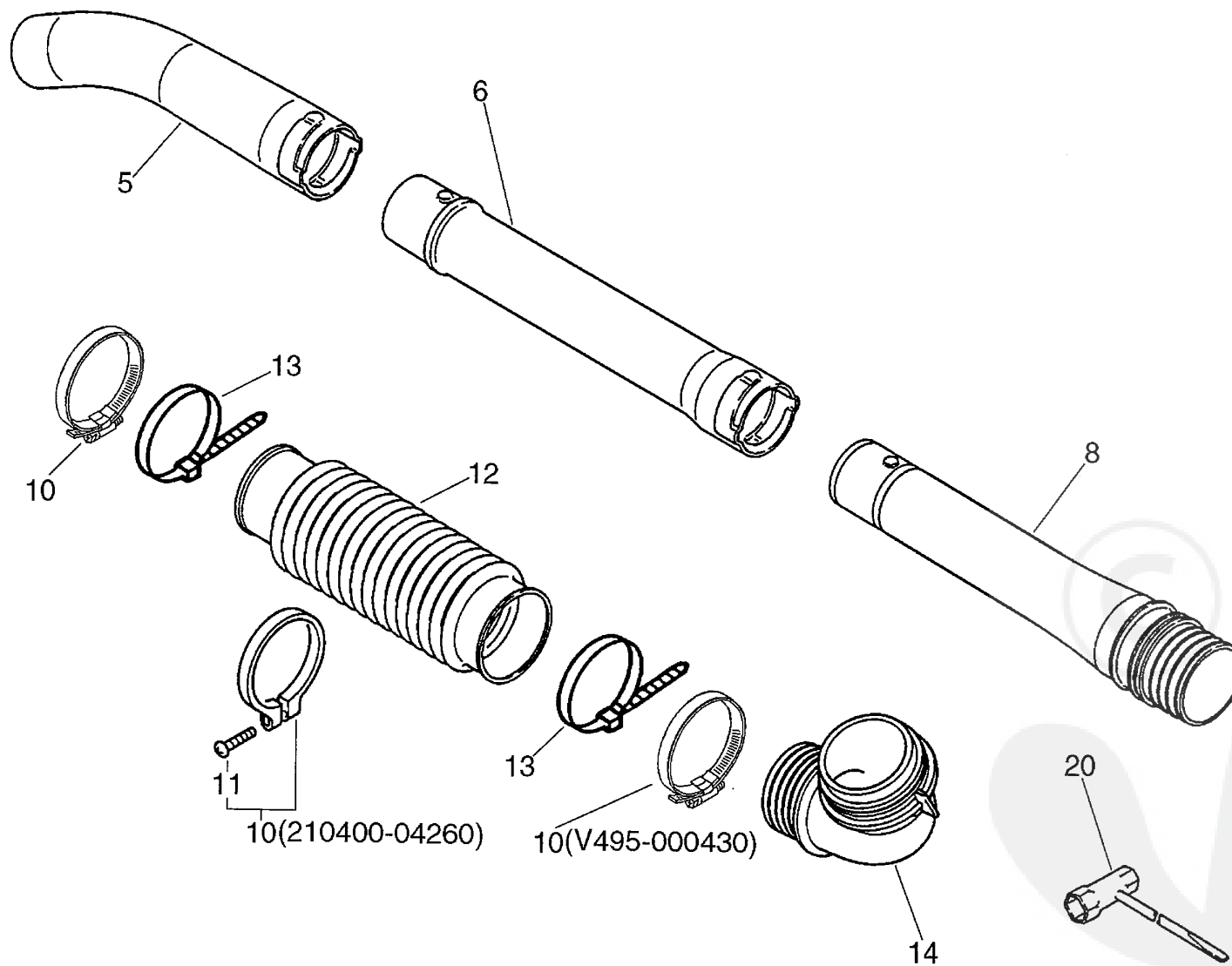




# P a r t s L i s t

Group:Power Blowers Model:PB-46LN(6digits)(36) Section:Harness, Frame(Sr/Nr 36001001 and after)( 9)

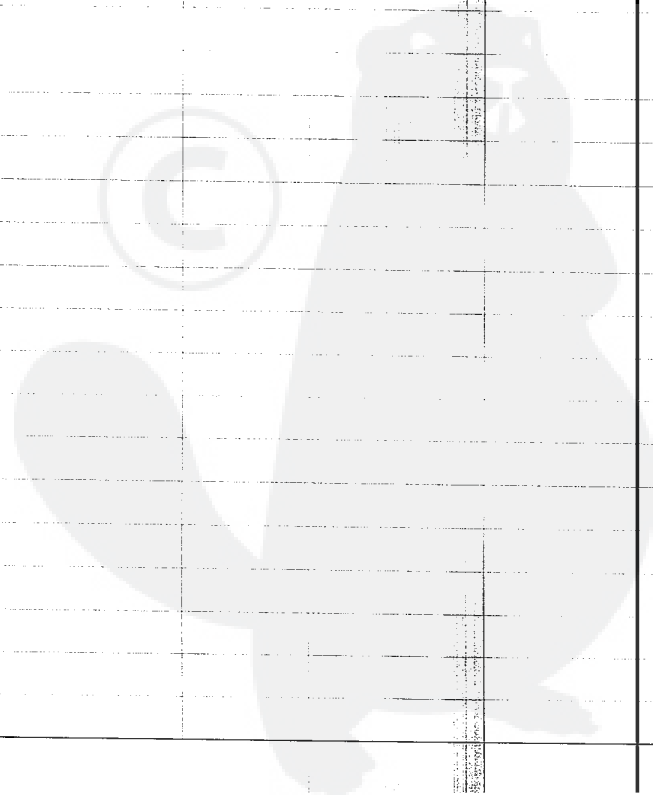
Key	Lv	Part Number	Q'ty	Description	Remarks	Note
1		C061-000110	2	HARNESS,ASM BACKPACK		
2		V491-000040	2	CLIP		
4		900516-00005	4	NUT, FRANGE 5		
5		300105-08260	1	CUSHION, KNAPSACK	Sus. by 300105-08261	
5		300105-08261	1	CUSHION, KNAPSACK		
6		300333-06160	4	CLIP	Sus. by V491-000120	
6		V491-000120	4	CLIP		
8		300217-00610	10	WASHER		
9		300010-08362	1	FRAME, BACKPACK		
10		900253-05016	2	SCREW		
11		91145-05016	6	BOLT HS TAPPING		
12		701161-21260	1	PANEL (R)		
14		701160-21260	1	PANEL (L)		
15		C622-000030	1	CONNECTOR, FRAME		
16		V401-000100	2	CUSHION, 5		
17		C622-000020	1	CONNECTOR, FRAME		
18		900209-05014	2	SCREW, 5*14		
19		300614-08260	1	BRACKET, HANGER		
20		900209-05014	4	SCREW, 5*14		
21		A127-000080	1	COVER, DUST		
25		91147-05020	2	BOLT HS FL TAPP		
26		900162-05020	4	BOLT, H.S. 5*20		
27		V150-001350	2	PLATE, EYE		
28		V456-000010	2	HOLDER, SPRING		
29		V450-000390	2	SPRING, COMPRESSION		
30		V263-000050	2	NUT, 5		
31		613019-07350	2	WASHER 5.5*16*2T		

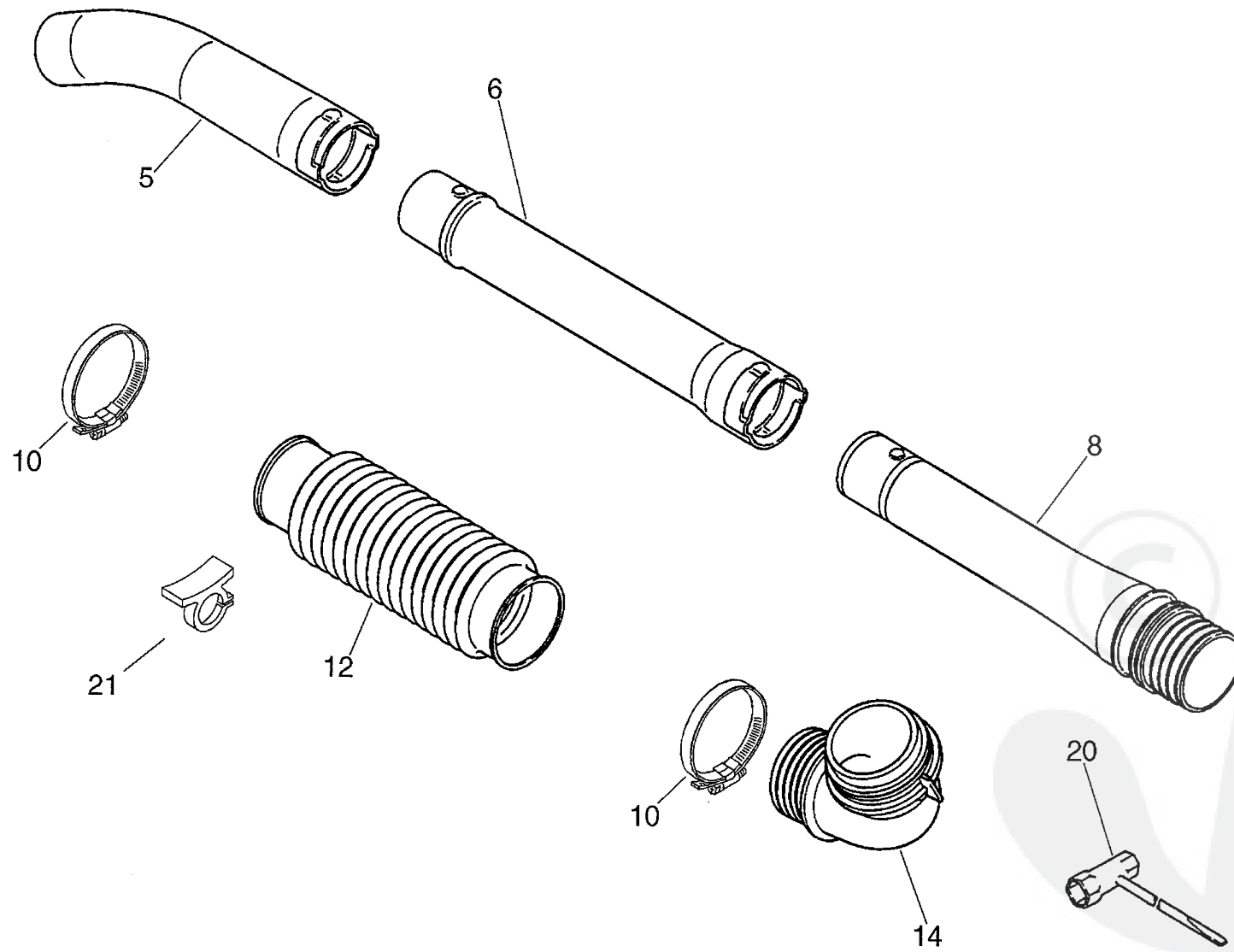


# Parts List

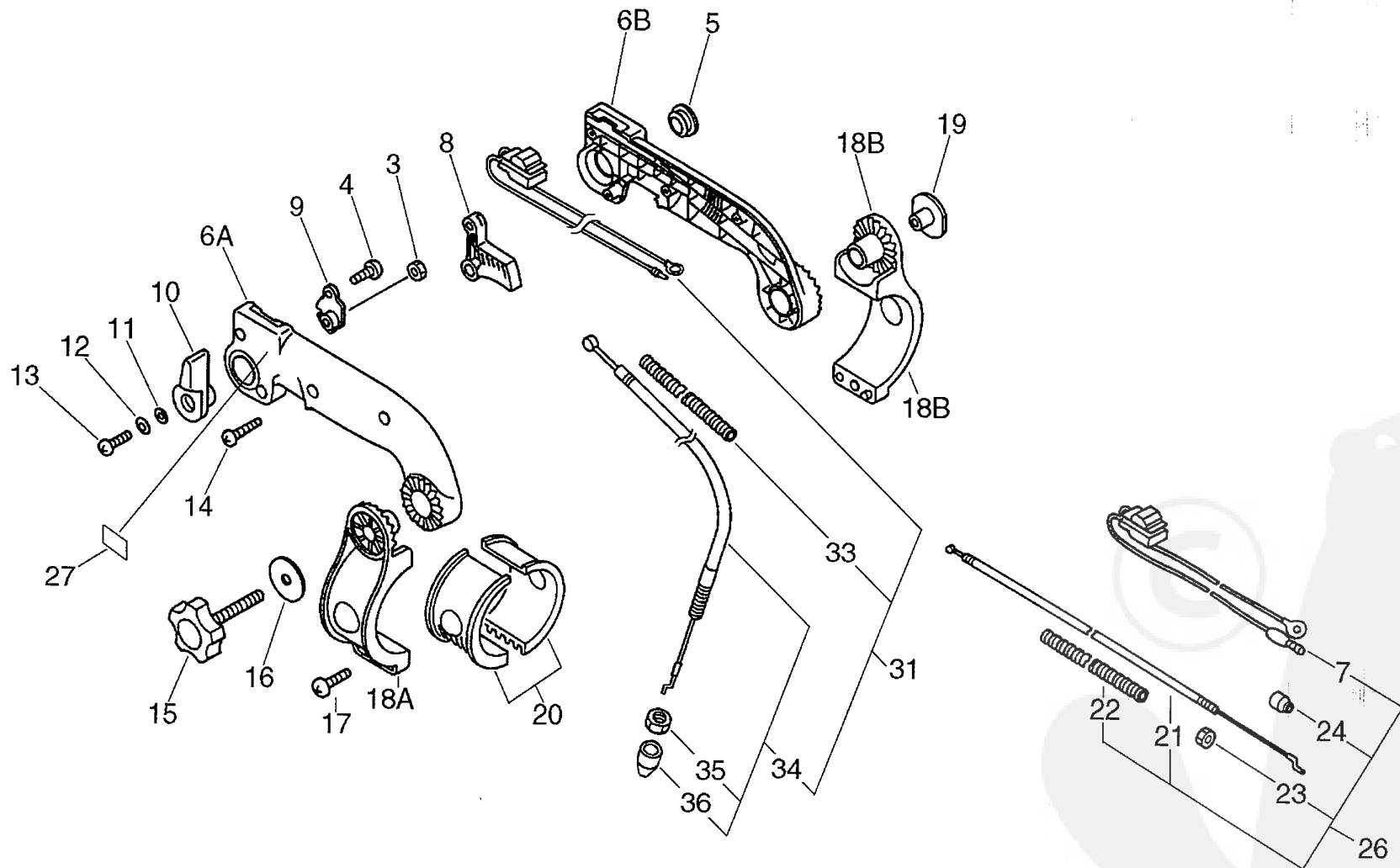
Group: Power Blowers Model: PB-46LN(6digits)(36) Section: Pipe, Tool(Sr/Nr 36004400 and befoe)( 10)

Key	Lv	Part Number	Q'ty	Description	Remarks	Note
5		210023-03460	1	PIPE, CURVED (BL)		
6		210015-03460	1	PIPE, STRAIGHT (BL)		
8		212005-07560	1	PIPE, BLOWER		
10		210400-04260	2	CLAMP W/SCREW	Sus. by V495-000430	
10		V495-000430	2	BAND		
11	+	900235-05025	2	SCREW 5*25	Can be used on 210400-04260 only	
12		210013-08360	1	PIPE, FLEXIBLE		
13		178121-09860	2	BAND	Disuse	
14		210005-08260	1	PIPE, MAIN		
20		895410-39130	1	WRENCH, W/S-DRIVER	Sus. by 895410-39131	
20		895410-39131	1	WRENCH, W/S-DRIVER		









# P a r t s L i s t

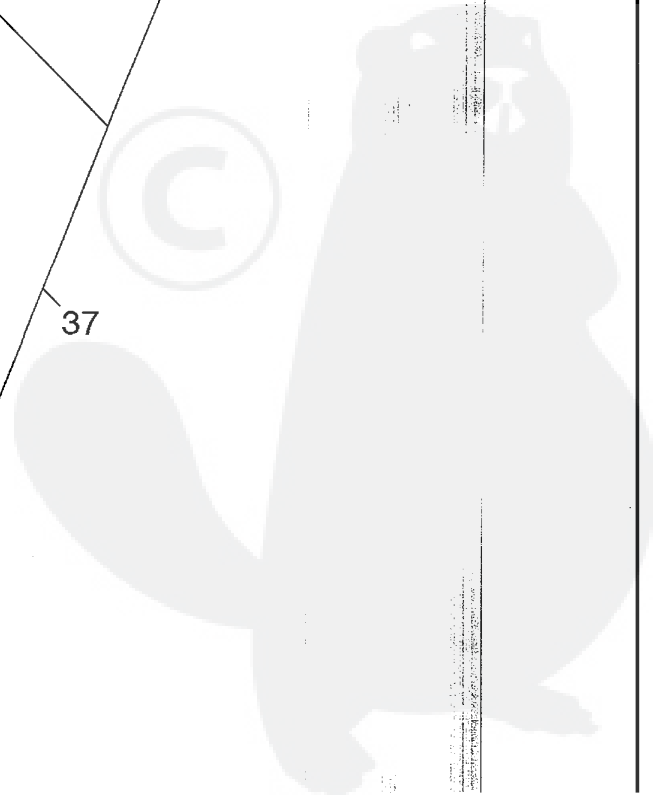
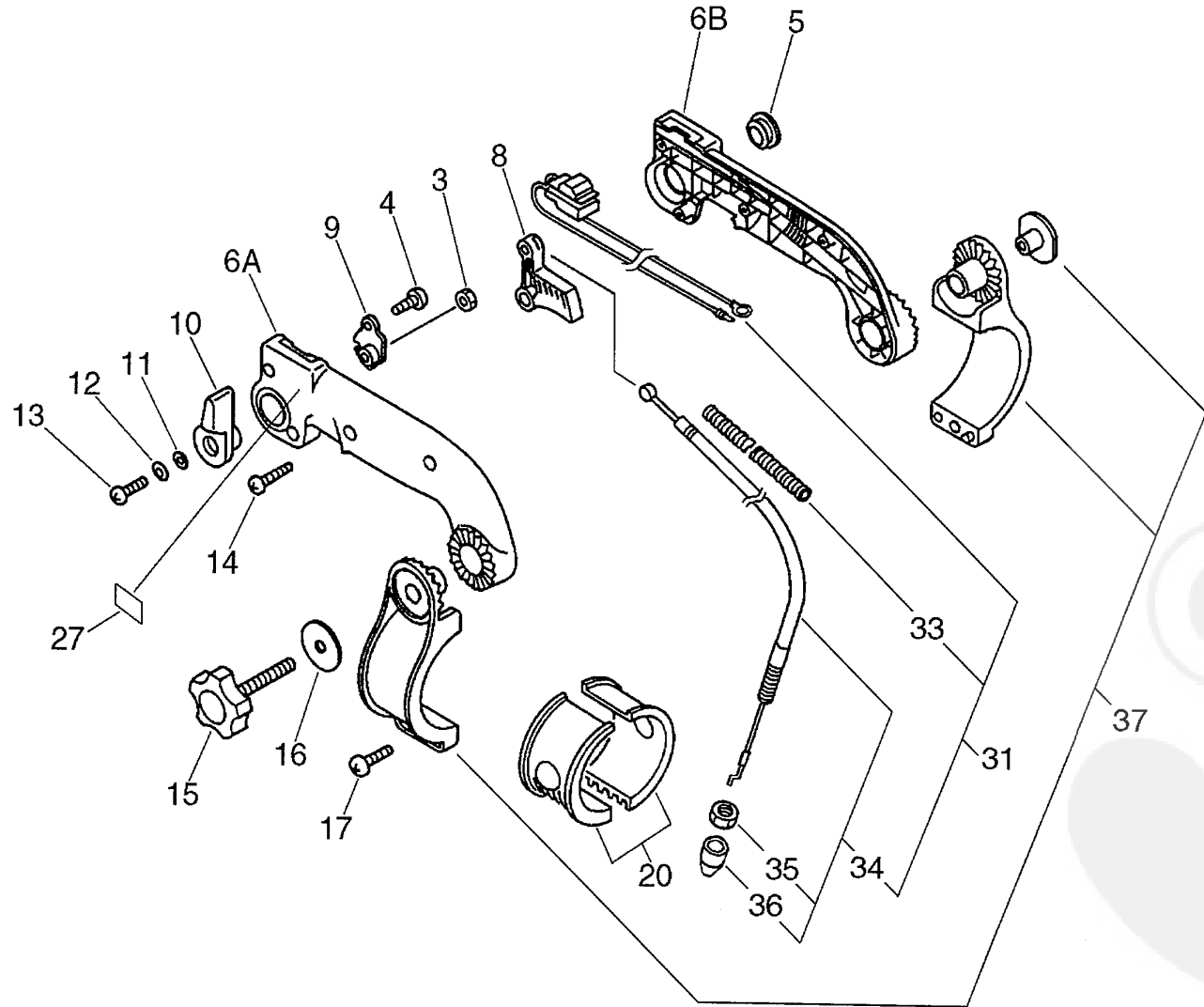
Date:4-11-2010 Page: 1

Group:Power Blowers Model:PB-46LN(6digits)(36) Section:Throttle(Sr/Nr 36004200 and befor)( 12)

Key	Lv	Part Number	Q'ty	Description	Remarks	Note
3		900500-00006	1	NUT 6		
4		900245-04010	1	SCREW 4*10		
5		351146-07560	1	PLUG		
6A		351315-07560	1	HANDLE, FRONT		
6B		351311-07560	1	HANDLE, FRONT		
8		178010-07560	1	CONTROL, THROTTLE	Sus. by 178010-07561	
8		178010-07561	1	CONTROL, THROTTLE		
9		178123-07561	1	BRACKET, THROTTLE		
10		178054-07560	1	CONTRTOL, THROTTLE		
11		900603-00006	1	WASHER 6		
12		900605-00006	1	WASHER, SPRING 6		
13		900235-06020	1	SCREW 6*20		
14		900256-04022	4	SCREW 4*22		
15		305812-08260	1	KNOB, FASTENER		
16		178516-07560	1	WASHER 6		
17		900253-05020	1	SCREW 5*20		
18A		351011-07560	1	BRACKET, HANDLE	Sr/Nr 36004200 and before	
18B		351028-07560	1	BRACKET, HANDLE	Sr/Nr 36004200 and before	
19		178021-08260	1	NUT, THROTTLE ROD	Sr/Nr 36004200 and before	
20		210019-07560	2	COLLAR	Disuse	
26		178100-08262	1	CABLE ASY, CONTROL	Sus. by 178100-08263	
26		178100-08263	1	CABLE ASY, CONTROL		
7 +		163400-08261	1	SWITCH, IGNITION	Sus. by V043-000021	
7 +		163400-08262	1	SWITCH, IGNITION	Sus. by V043-000021	
21 +		178001-08360	1	WIRE, THROTTLE	Sr/Nr 009129 and before	
22 +		178127-47530	1	TUBE	Sr/Nr 009129 and before	
23 +		900500-00006	1	NUT 6	Sr/Nr 009129 and before	
24 +		178082-08260	1	CAP	Sr/Nr 009129 and before	



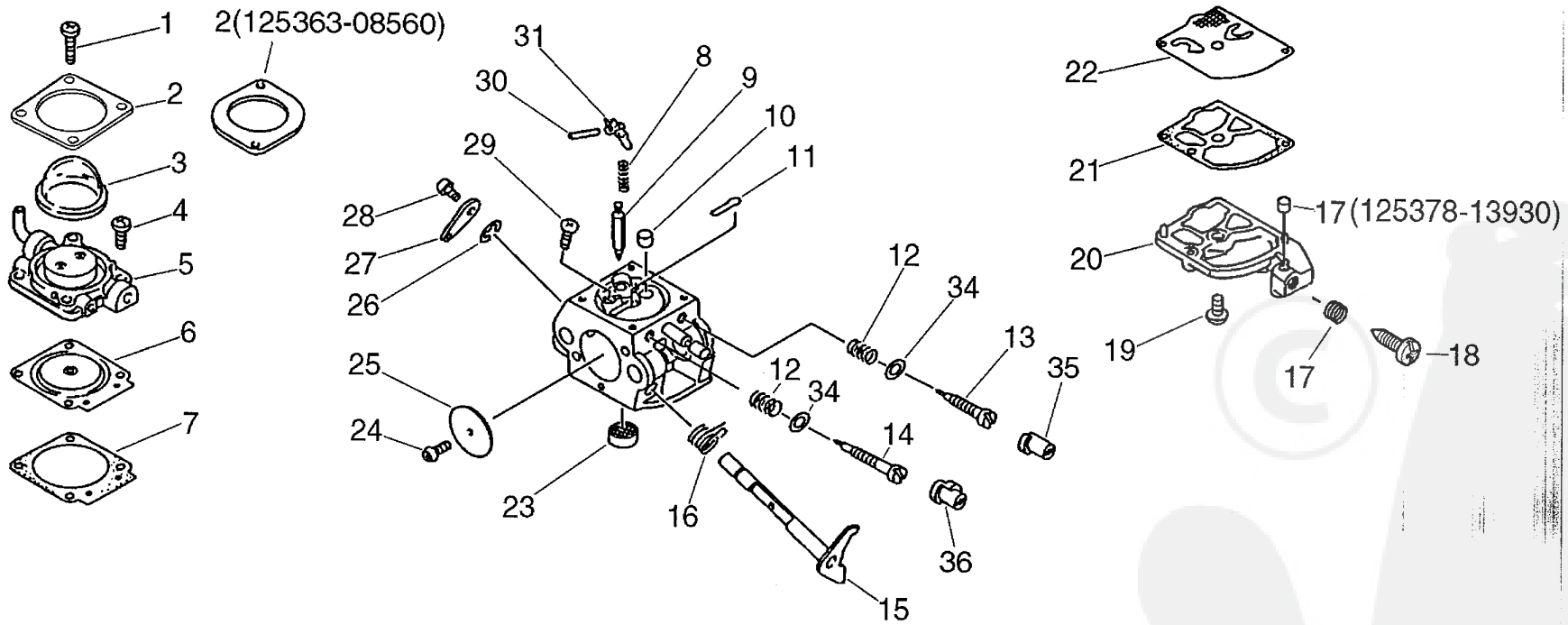




# P a r t s L i s t

Group:Power Blowers Model:PB-46LN(6digits)(36) Section:Throttle(Sr/Nr 36004201 and after)( 13)

Key	Lv	Part Number	Q'ty	Description	Remarks	Note
3		900500-00006	1	NUT 6		
4		900245-04010	1	SCREW 4*10		
5		351146-07560	1	PLUG		
6A		351315-07560	1	HANDLE, FRONT		
6B		351311-07560	1	HANDLE, FRONT		
8		178010-07561	1	CONTROL, THROTTLE		
9		178123-07561	1	BRACKET, THROTTLE		
10		178054-07560	1	CONTRTOL, THROTTLE		
11		900603-00006	1	WASHER 6		
12		900605-00006	1	WASHER, SPRING 6		
13		900235-06020	1	SCREW 6*20		
14		900256-04022	4	SCREW 4*22		
15		305812-08260	1	KNOB, FASTENER		
16		178516-07560	1	WASHER 6		
17		900253-05020	1	SCREW 5*20		
31		V043-000021	1	CABLE,ASM CONTROL		
33 +		V475-003210	1	TUBE		
34 +		V430-001240	1	CABLE,BOWDEN		
35 ++		900500-00006	1	NUT 6		
36 ++		178082-08260	1	CAP		
37		P021-014110	1	BRACKET ASSY, HANDLE	Sr/Nr 36004201 and after	



# P a r t s L i s t

Group:Power Blowers Model:PB-46LN(6digits)(36) Section:Carburetor( 14)

Key	Lv	Part Number	Q'ty	Description	Remarks	Note
		125200-08560	1	CARBURETOR ASSY	Sus. by 125200-08564	
		125200-08561	1	CARBURETOR	Sus. by 125200-08564	
		125200-08562	1	CARBURETOR	Sus. by 125200-08564	
		125200-08563	1	CARBURETOR	Sus. by 125200-08564	
		125200-08564	1	CARBURETOR		
1	+	125344-05360	2	SCREW	Can be used on the 125200-08560, -08561, -08562	
1	+	125344-05360	4	SCREW	Can be used on the 125200-08563 only	
2	+	125363-08560	1	RING	Can be used on the 125200-08560, -08561, -08562	
2	+	P005-000620	1	RETAINER	Can be used on the 125200-08563 only	
3	+	125381-08660	1	PUMP, PRIMING		
4	+	125310-05360	2	SCREW	Can be used on the 125200-08560, -08561, -08562	
5	+	125383-08360	1	BASE, PRIMER	Can be used on the 125200-08560, -08561, -08562	
5	+	P005-000610	1	BASE, PRIMER	Can be used on the 125200-08563 only	
6	+	125341-08360	1	DIAPHRAGM		
7	+	125340-34530	1	GASKET, DIAPHRAGM		
8	+	125322-07260	1	SPRING, COIL		
9	+	125337-08260	1	VALVE, INLET NEEDLE		
10	+	125376-08560	1	NOZZLE, CHECK VALVE	Sus. by P005-001040	
10	+	P005-001040	1	NOZZLE, CHECK VALVE		
11	+	125345-15130	1	PLUG, WELCH		
12	+	125319-42030	2	SPRING, COIL	Can be used on the 125200-08560, -08561	
13	+	125320-08560	1	NEEDLE, HIGH SPEED	Can be used on the 125200-08560, -08561	
13	+	P005-000420	1	SCREW, MAIN MIXTURE	Can be used on the 125200-08562, -08563	
14	+	125318-08560	1	NEEDLE, IDLE	Can be used on the 125200-08560, -08561	
14	+	P005-000430	1	SCREW ASY IDLE MIX.	Can be used on the 125200-08562, -08563	
15	+	125317-08360	1	SHAFT, THROTTLE		
16	+	125313-08360	1	SPRING, THRT. RETURN		
17	+	125378-13930	1	PIECE, FRICTION	Sr/Nr 003743 and before	

# P a r t s L i s t

Group:Power Blowers Model:PB-46LN(6digits)(36) Section:Carburetor( 14)

Key	Lv	Part Number	Q'ty	Description	Remarks	Note
17	+	125333-08560	1	SPRING,ADJUST SCREW	Sr/Nr 003744 and after	
18	+	125334-13930	1	SCREW, IDLE ADJUST	Sr/Nr 003743 and before	
18	+	125344-08560	1	SCREW	Sr/Nr 003744 and after	
19	+	125310-13930	1	SCREW	Sus. by P005-000980	
19	+	P005-000980	1	SCREW		
20	+	125324-08360	1	COVER, PUMP		
21	+	125325-08360	1	GASKET, PUMP		
22	+	125312-08360	1	DIAPHRAGM, FUEL PUMP		
23	+	125326-08360	1	STRAINER		
24	+	125314-51230	1	SCREW		
25	+	125316-08560	1	VALVE, THROTTLE		
26	+	125327-13930	1	CLIP		
27	+	125350-08360	1	LEVER, THROTTLE		
28	+	125348-13930	1	SCREW		
29	+	125339-42030	1	SCREW	Can be used on the 125200-08560	
29	+	125339-13930	1	SCREW	Can be used on the 125200-08561, -08562, -08563	
30	+	125338-13930	1	PIN, METERING ARM		
31	+	125323-08260	1	ARM, VALVE		
34	+	125353-20560	2	WASHER	Can be used on the 125200-08560, -08561	
35		125329-08560	1	LIMITER, MIXTURE	Sr/Nr 36001001 and after	
36		125329-09860	1	LIMITER, MIXTURE	Sr/Nr 36001001 and after	