



# PARTS CATALOG

## POWER BLOWER PB-500(37)

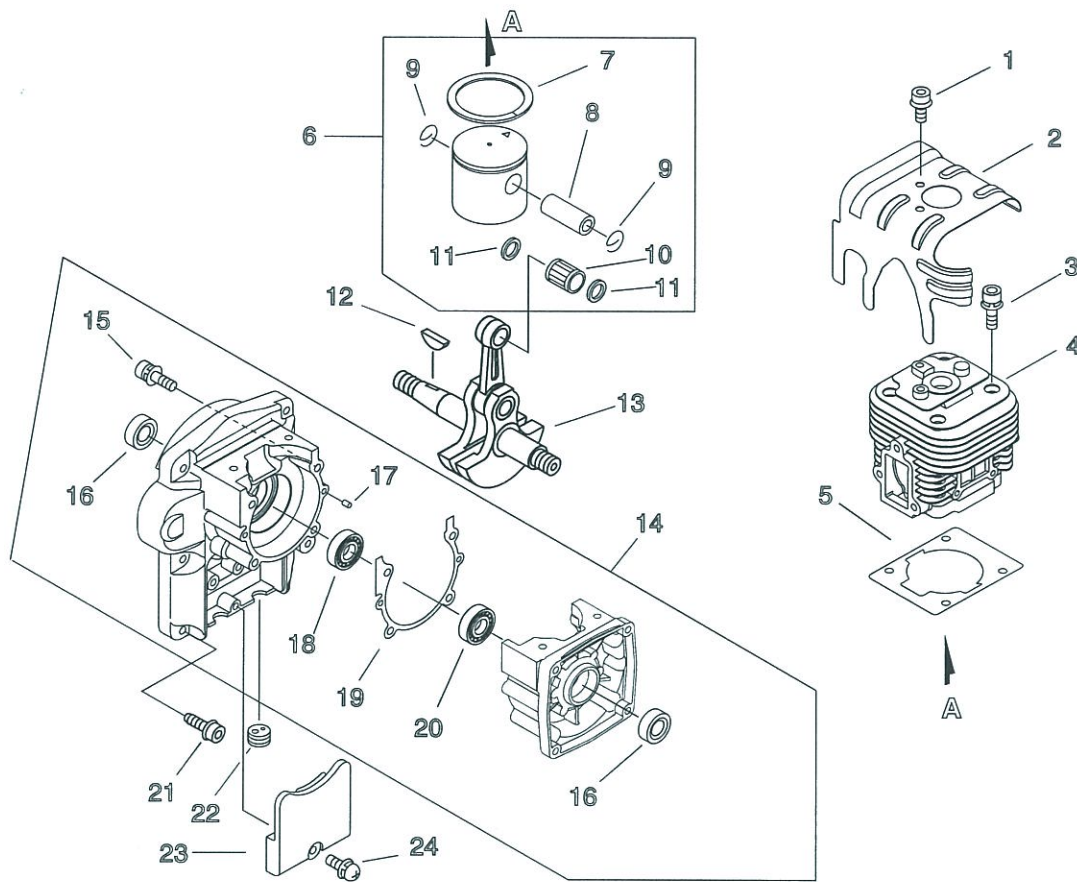
37002001 - .....

CE

P014-000170-10Hb

**PB-500(37)**

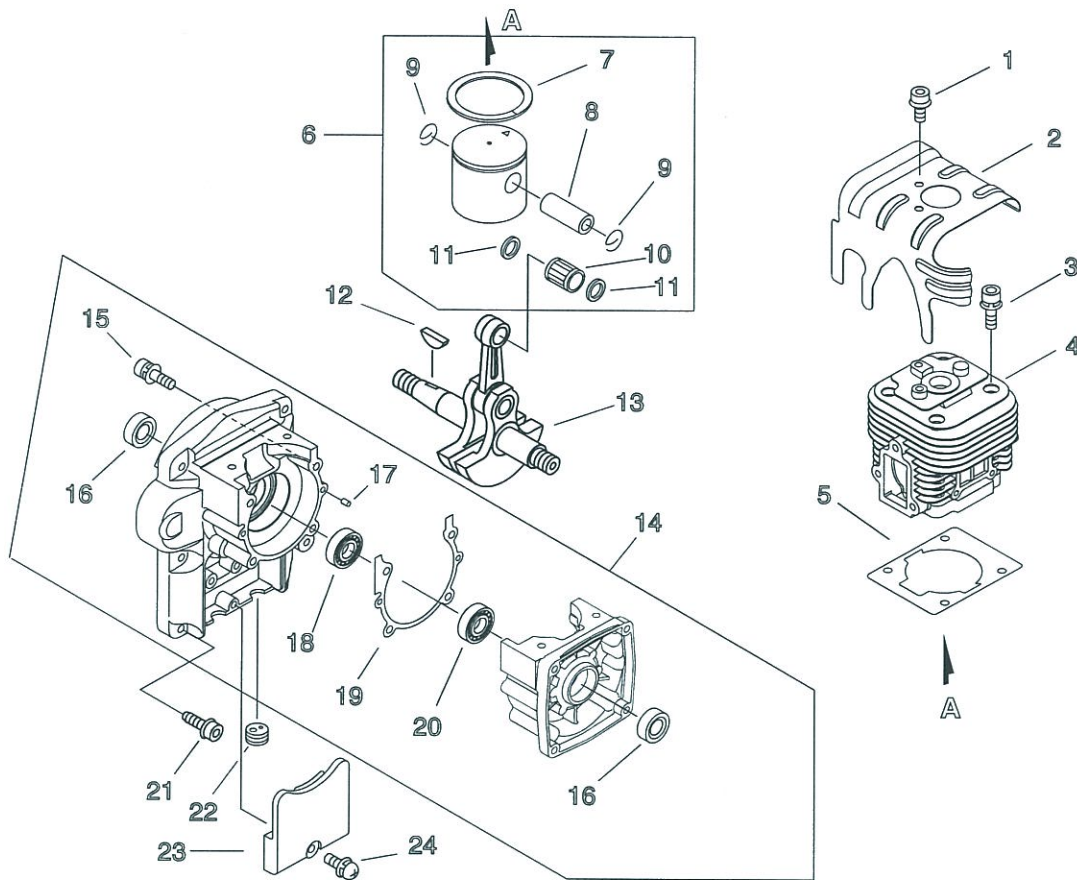
**1 CYLINDER, CRANKCASE, PISTON**



| KEY | LV | PART NUMBER  | Q'TY | DESCRIPTION         | REMARKS |
|-----|----|--------------|------|---------------------|---------|
| 1   |    | 900106-05008 | 2    | BOLT, H.S. 5* 8     |         |
| 2   |    | A160-001040  | 1    | COVER,CYLINDER      |         |
| 3   |    | 900162-05022 | 4    | BOLT, H.S. 5*22     |         |
| 4   |    | A130-000900  | 1    | CYLINDER            |         |
| 5   | +  | V100-000260  | 1    | GASKET,CYL          |         |
| 6   |    | P021-014972  | 1    | PISTON KIT          |         |
| 7   | +  | A101-000200  | 1    | RING, PISTON        |         |
| 8   | +  | 100013-39730 | 1    | PIN, PISTON         |         |
| 9   | +  | 100015-00120 | 2    | CIRCLIP, PISTON PIN |         |
| 10  | +  | V555-000010  | 1    | BEARING,NEEDLE 10   |         |
| 11  | +  | 100014-17330 | 2    | SPACER, PISTON PIN  |         |
| 12  |    | 900323-03014 | 1    | KEY WOODRUFF        |         |
| 13  |    | A011-000530  | 1    | CRANKSHAFT,ASY      |         |
| 14  |    | P021-014982  | 1    | SET,CRANKCASE       |         |
| 15  | +  | 900162-05040 | 4    | BOLT, H.S. 5*40     |         |
| 16  | +  | 100213-00310 | 2    | OILSEAL             |         |
| 17  | +  | 100215-03930 | 2    | PIN, DOWEL          |         |
| 18  | +  | 94032-36302  | 1    | BEARING BALL        |         |
| 19  | +  | V102-000050  | 1    | GASKET,CRANKCASE    |         |

**PB-500(37)**

**1 CYLINDER, CRANKCASE, PISTON**

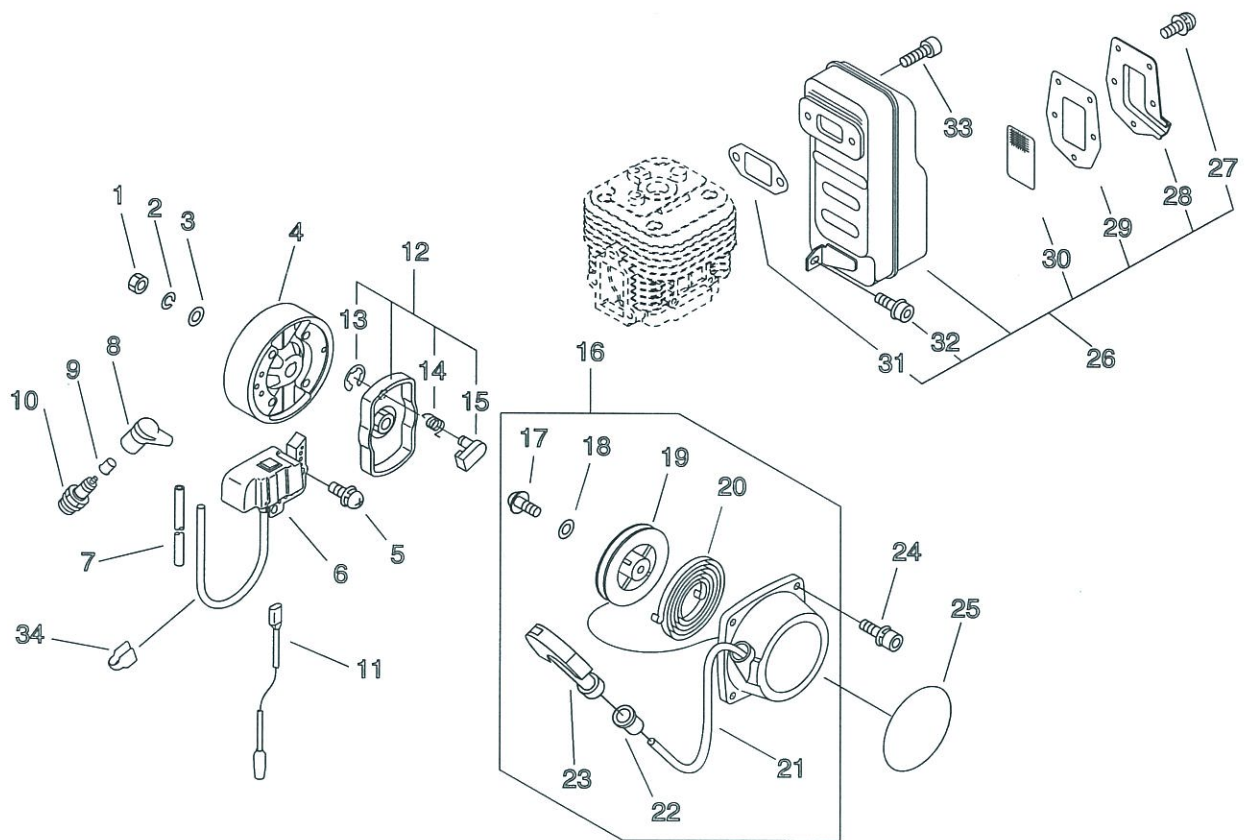


| KEY | LV | PART NUMBER | Q'TY | DESCRIPTION  | REMARKS |                    |  |
|-----|----|-------------|------|--------------|---------|--------------------|--|
|     |    | 20          | +    | 900810-36202 | 1       | BEARING, BALL 6202 |  |
|     |    | 21          |      | 900162-05032 | 6       | BOLT, H.S. 5*32    |  |
|     |    | 22          |      | 151112-04630 | 1       | BUSHING            |  |
|     |    | 23          |      | 159129-08261 | 1       | COVER, DUST        |  |
|     |    | 24          |      | 900238-05018 | 1       | SCREW 5*18         |  |

**PB-500(37)**

**2**

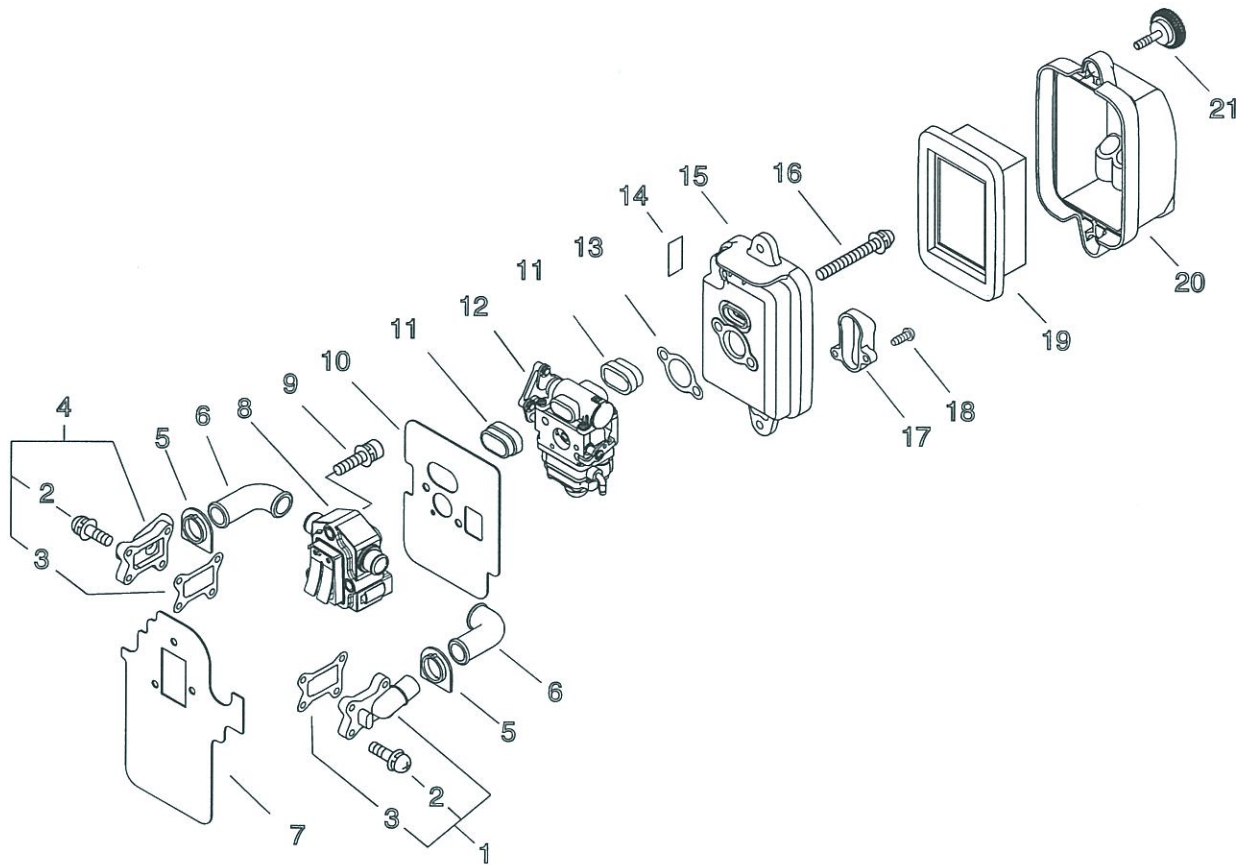
**STARTER, MAGNETO, MUFFLER**



| KEY | LV | PART NUMBER  | Q'TY | DESCRIPTION          | REMARKS |
|-----|----|--------------|------|----------------------|---------|
| 1   |    | 900501-00010 | 1    | NUT 10*1.25          |         |
| 2   |    | 900605-00010 | 1    | WASHER, SPRING 10    |         |
| 3   |    | 900602-00010 | 1    | WASHER 10(10.5*21*2) |         |
| 4   |    | A409-000331  | 1    | ROTOR, MAGNETO       |         |
| 5   |    | 900238-05018 | 2    | SCREW 5*18           |         |
| 6   |    | A411-000420  | 1    | COIL, IGNITION       |         |
| 7   |    | 156111-06160 | 1    | TUBE 6.3*8*380       |         |
| 8   |    | 159012-03433 | 1    | CAP, SPARK PLUG      |         |
| 9   |    | 159011-03432 | 1    | COIL, SPARK PLUG     |         |
| 10  |    | A425-000000  | 1    | SPARKPLUG            |         |
| 11  |    | V485-000190  | 1    | LEAD                 |         |
| 12  |    | 177202-06210 | 1    | PAWL ASSY, STARTER   |         |
| 16  |    | A051-001270  | 1    | STARTER, RECOIL ASY  |         |
| 24  |    | 900162-05018 | 4    | BOLT, H.S. 5*18      |         |
| 25  |    | X502-000410  | 1    | LABEL, ECHO          |         |
| 26  |    | P021-015040  | 1    | MUFFLER ASY          |         |
| 27  | +  | 900238-04010 | 5    | SCREW 4*10           |         |
| 28  | +  | A313-001030  | 1    | GUIDE, EXHAUST       |         |
| 29  | +  | 145866-04261 | 1    | GASKET               |         |
| 30  | +  | 145862-06720 | 1    | SCREEN, MUFFLER      |         |
| 31  | +  | V104-000900  | 1    | GASKET, EXHAUST      |         |
| 32  |    | 900106-05016 | 1    | BOLT, H.S. 5*16      |         |
| 33  |    | 900105-06020 | 2    | BOLT, H.S. 6*20      |         |

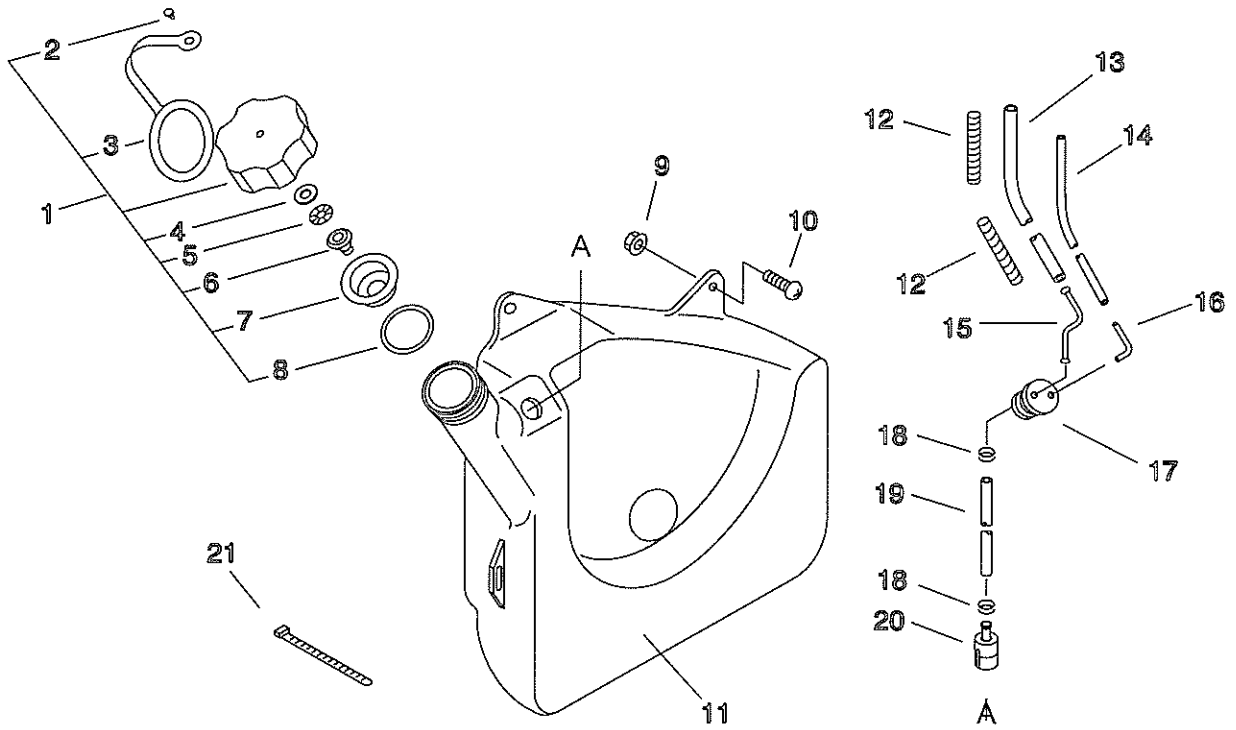
**PB-500(37)**

**3 AIR CLEANER, CARBURETOR**



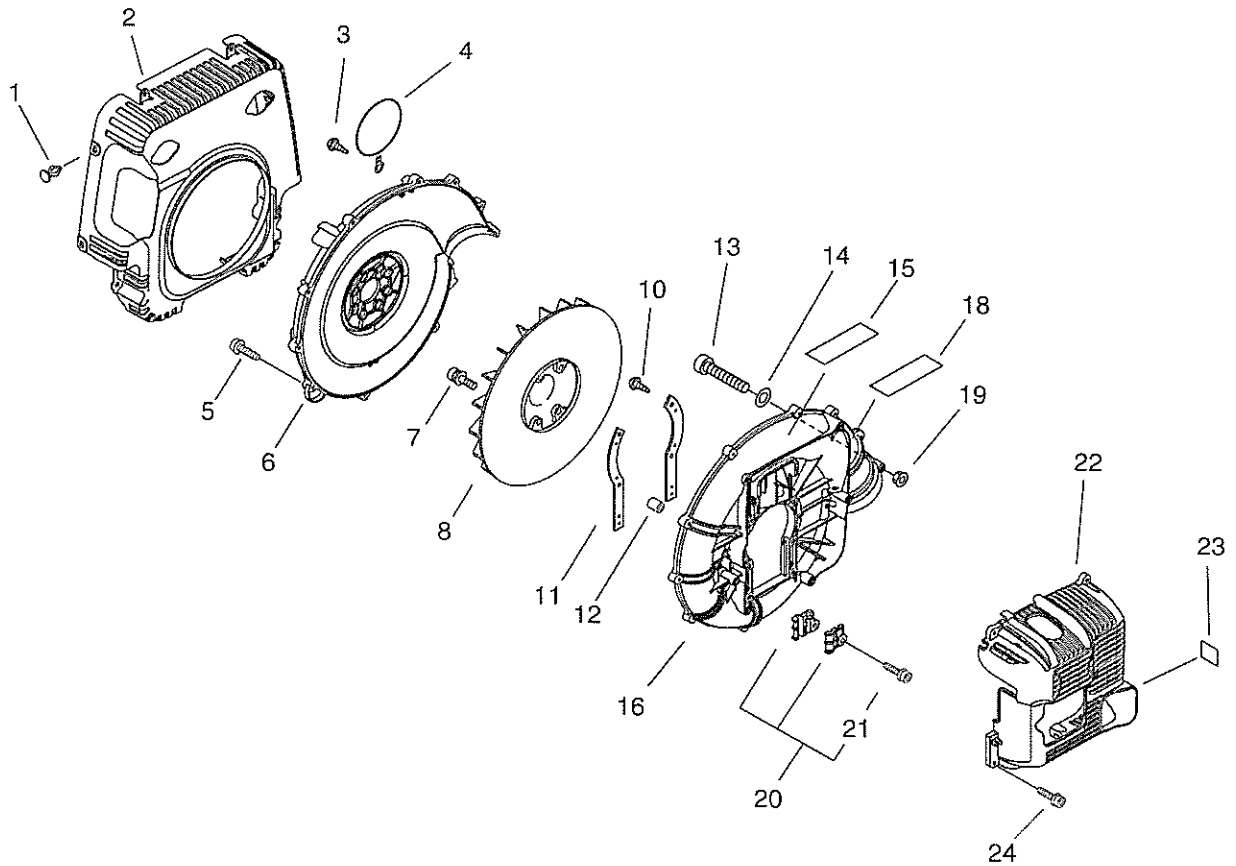
| KEY | LV | PART NUMBER  | Q'TY | DESCRIPTION          | REMARKS |
|-----|----|--------------|------|----------------------|---------|
| 1   |    | P021-016130  | 1    | FIXTURE,VALVE KIT M  |         |
| 2   | +  | V202-000140  | 4    | BOLT,4               |         |
| 3   | +  | V103-000440  | 1    | GASKET,INTAKE        |         |
| 4   |    | P021-016140  | 1    | FIXTURE,VALVE KIT R  |         |
| 2   | +  | V202-000140  | 4    | BOLT,4               |         |
| 3   | +  | V103-000440  | 1    | GASKET,INTAKE        |         |
| 5   |    | V140-000020  | 2    | GROMMET,HOSE         |         |
| 6   |    | G213-000090  | 2    | HOSE,AIR             |         |
| 7   |    | V103-000450  | 1    | GASKET,INTAKE        |         |
| 8   |    | P021-014991  | 1    | INSULATOR VALVE KIT  |         |
| 9   |    | V203-000310  | 3    | BOLT,5               |         |
| 10  |    | V103-000461  | 1    | GASKET,INTAKE        |         |
| 11  |    | C483-000032  | 2    | BOOT, CONNECTOR      |         |
| 12  |    | A021-001641  | 1    | CARBURETOR,DIAPHRAGM |         |
| 13  |    | V103-000471  | 1    | GASKET,INTAKE        |         |
| 14  |    | 890332-52730 | 1    | LABEL, CHOKE         |         |
| 15  |    | P021-015001  | 1    | CASE, AIR CLEANER    |         |
| 17  | +  | A221-000020  | 1    | FIXTURE, CLEANER     |         |
| 18  | +  | 900246-04014 | 2    | SCREW 4*14           |         |
| 16  |    | 900162-05065 | 2    | BOLT, H.S. 5*65      |         |
| 19  |    | A226-000032  | 1    | ELEMENT,AIR FILTER   |         |
| 20  |    | A232-000461  | 1    | LID,CLEANER          |         |
| 21  |    | V299-000290  | 2    | KNOB,FASTENER        |         |

# PB-500(37) 4 FUEL TANK



| KEY | LV | PART NUMBER  | Q'TY | DESCRIPTION          | REMARKS |
|-----|----|--------------|------|----------------------|---------|
| 1   |    | 131600-09861 | 1    | CAP ASY, FUEL        |         |
| 2   | +  | 900319-30070 | 1    | RIVET 3*7            |         |
| 3   | +  | 131051-27230 | 1    | LINK                 |         |
| 4   | +  | 900600-00003 | 1    | WASHER 3             |         |
| 5   | +  | 131053-03060 | 1    | NUT                  |         |
| 6   | +  | 131314-06320 | 1    | VALVE, CHECK         |         |
| 7   | +  | A358-000000  | 1    | HOLDER,CHECK VALVE   |         |
| 8   | +  | 131016-21060 | 1    | GASKET, FUEL CAP     |         |
| 9   |    | 900516-00005 | 3    | NUT, FRANGE 5        |         |
| 10  |    | 900209-05020 | 3    | SCREW, 5*20          |         |
| 11  |    | 131010-08266 | 1    | TANK, FUEL           |         |
| 12  |    | V475-004110  | 1    | TUBE                 |         |
| 13  |    | V471-002150  | 1    | PIPE                 |         |
| 14  |    | V471-002160  | 1    | PIPE                 |         |
| 15  |    | 132011-08260 | 1    | CONNECTOR, FUEL PIPE |         |
| 16  |    | 132021-08260 | 1    | CONNECTOR, PIPE      |         |
| 17  |    | 132115-02960 | 1    | GROMMET              |         |
| 18  |    | 132013-26630 | 2    | CLIP                 |         |
| 19  |    | V471-000770  | 1    | PIPE                 |         |
| 20  |    | 131205-19831 | 1    | STRAINER, FUEL       |         |
| 21  |    | 178121-43230 | 1    | BAND                 |         |

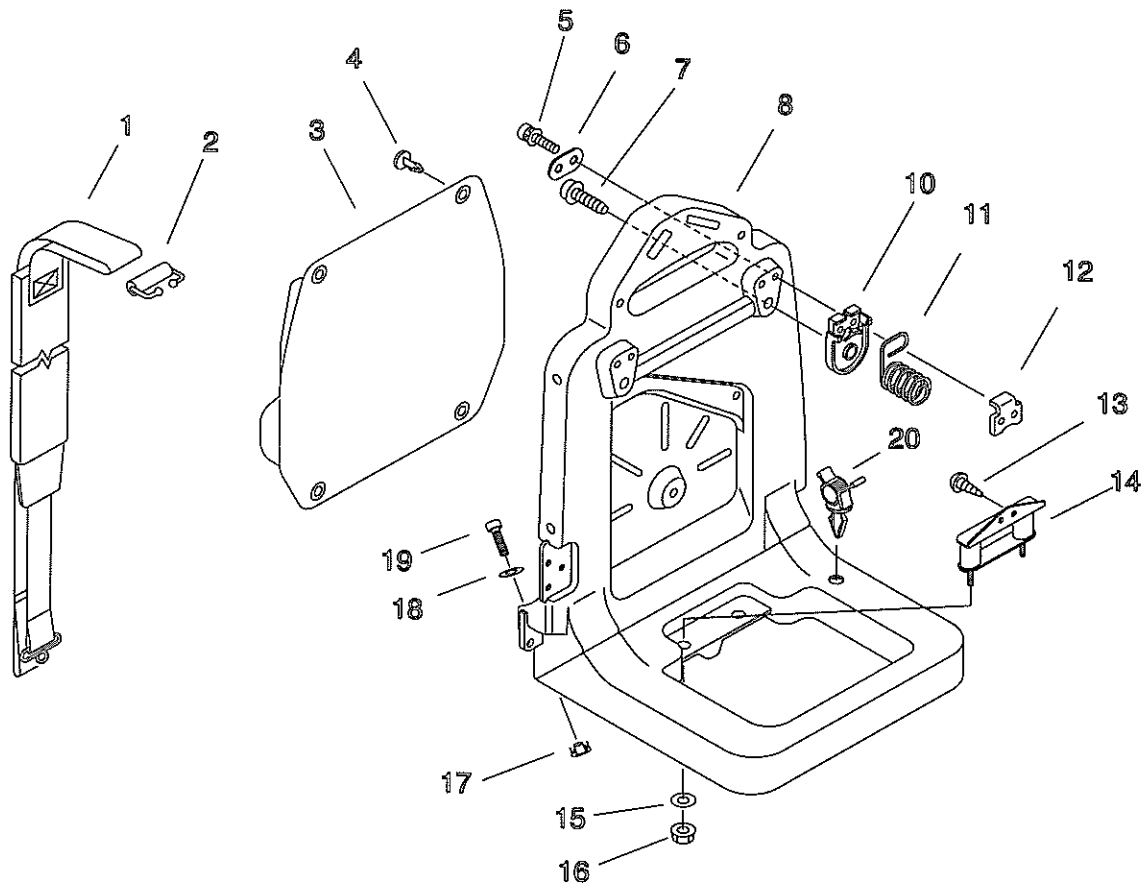
# PB-500(37) 5 FAN CASE



| KEY | LV | PART NUMBER  | Q'TY | DESCRIPTION     | REMARKS |
|-----|----|--------------|------|-----------------|---------|
| 1   |    | V491-000120  | 8    | CLIP            |         |
| 2   |    | E104-000061  | 1    | GRID,BLOWER     |         |
| 3   |    | 91145-05016  | 1    | BOLT HS TAPPING |         |
| 4   |    | C617-000230  | 1    | STOPPER         |         |
| 5   |    | 91145-05025  | 9    | BOLT, TAPPING   |         |
| 6   |    | E103-000540  | 1    | CASE,FAN        |         |
| 7   |    | 900162-05020 | 4    | BOLT, H.S. 5*20 |         |
| 8   |    | 200010-09861 | 1    | FAN             |         |
| 10  |    | 900246-03012 | 4    | SCREW 3*12      |         |
| 11  |    | 104913-08360 | 2    | BRACKET, ENGINE |         |
| 12  |    | V354-000130  | 6    | COLLAR,6        |         |
| 13  |    | 900105-05060 | 2    | BOLT, H.S. 5*60 |         |
| 14  |    | 900600-00005 | 2    | WASHER 5        |         |
| 15  |    | X503-009520  | 1    | LABEL,MODEL     |         |
| 16  |    | E103-000531  | 1    | CASE,FAN        |         |
| 18  |    | X505-002080  | 1    | LABEL,CAUTION   |         |
| 19  |    | 900516-00005 | 2    | NUT, FRANGE 5   |         |
| 20  |    | P021-015010  | 1    | BRACKET KIT     |         |
| 21  | +  | 91145-05025  | 1    | BOLT, TAPPING   |         |
| 22  |    | A190-000721  | 1    | COVER,ENGINE    |         |
| 23  |    | X505-002310  | 1    | LABEL,CAUTION   |         |
| 24  |    | 91145-05020  | 5    | BOLT HS TAPPING |         |

**PB-500(37)**

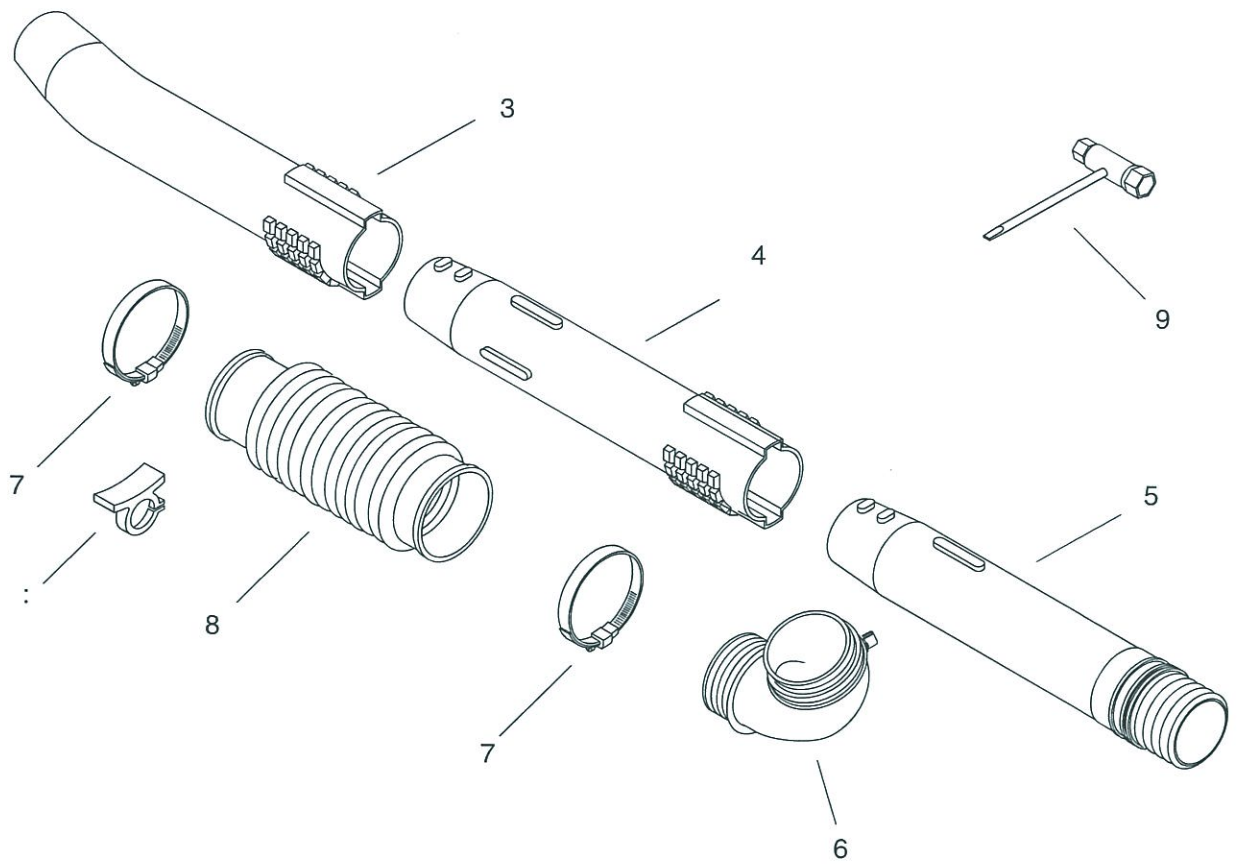
**6 BACKPACK HARNESS**



| KEY | LV | PART NUMBER  | Q'TY | DESCRIPTION          | REMARKS |
|-----|----|--------------|------|----------------------|---------|
| 1   |    | C061-000111  | 2    | HARNESS,ASM BACKPACK |         |
| 2   |    | V491-000040  | 2    | CLIP                 |         |
| 3   |    | 300105-08261 | 1    | CUSHION, KNAPSACK    |         |
| 4   |    | V491-000120  | 6    | CLIP                 |         |
| 5   |    | 900162-05020 | 4    | BOLT, H.S. 5*20      |         |
| 6   |    | V150-001350  | 2    | PLATE,EYE            |         |
| 7   |    | 91147-05020  | 2    | BOLT HS FL TAPP      |         |
| 8   |    | 613019-07350 | 2    | WASHER 5.5*16*2T     |         |
| 9   |    | C620-000212  | 1    | FRAME,BACKPACK       |         |
| 10  |    | V456-000010  | 2    | HOLDER,SPRING        |         |
| 11  |    | V450-000390  | 2    | SPRING,COMPRESSION   |         |
| 12  |    | V263-000050  | 2    | NUT,5                |         |
| 13  |    | 91145-05016  | 2    | BOLT HS TAPPING      |         |
| 14  |    | V401-000110  | 1    | CUSHION,5            |         |
| 15  |    | 900630-00005 | 2    | WASHER 5             |         |
| 16  |    | 900516-00005 | 2    | NUT, FRANGE 5        |         |
| 17  |    | C622-000000  | 4    | CONNECTOR,FRAME      |         |
| 18  |    | V304-000040  | 4    | WASHER,CIRCULAR 6    |         |
| 19  |    | 900105-06025 | 4    | BOLT, H.S. 6*25      |         |
| 20  |    | V491-000110  | 1    | CLIP                 |         |

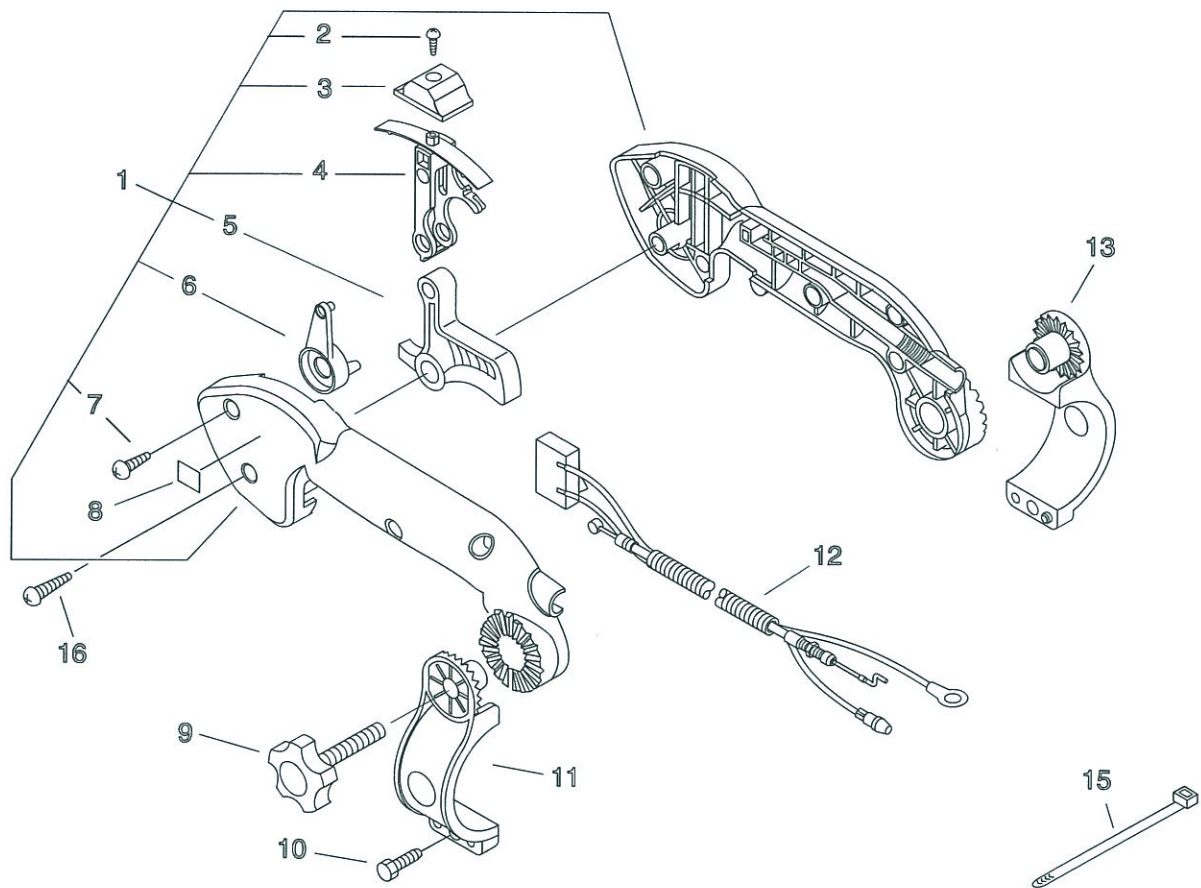


**PB-500(37)      7      PIPE**

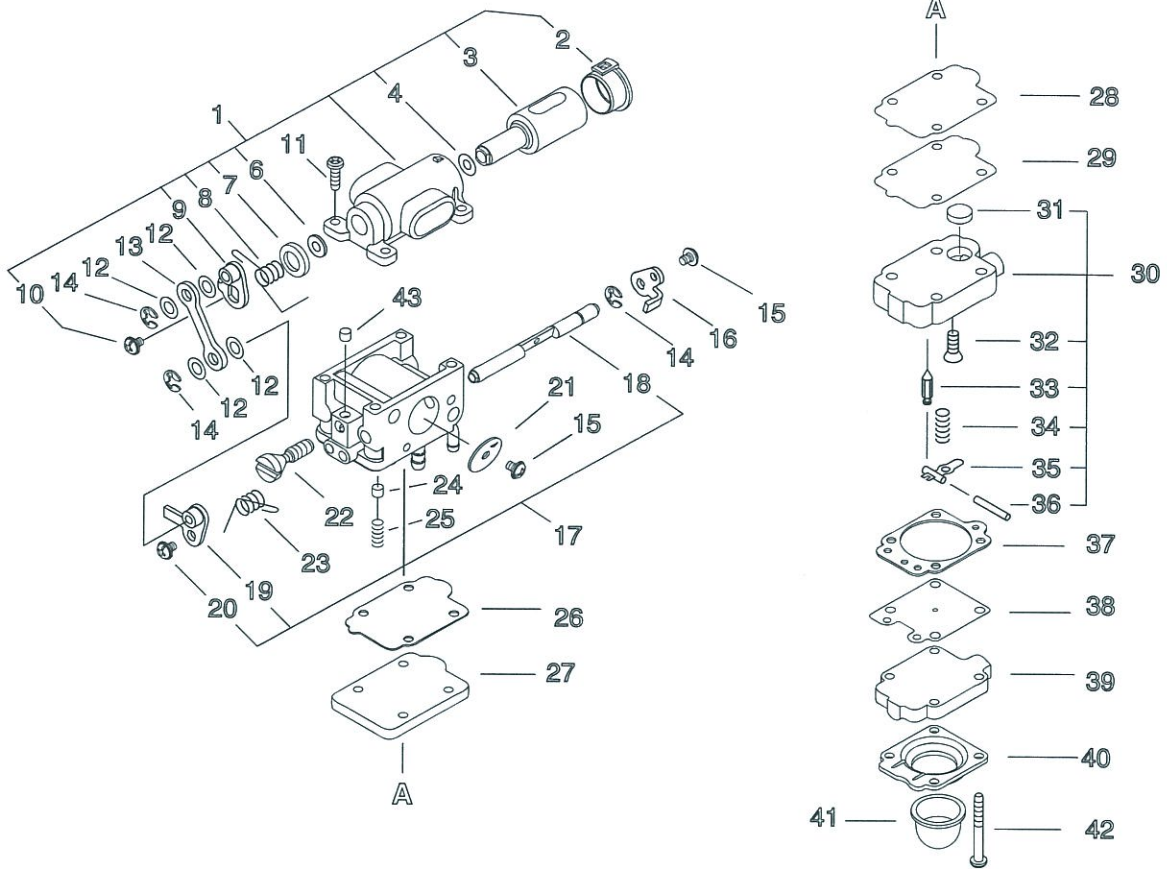


| KEY | LV | PART NUMBER  | Q'TY | DESCRIPTION        | REMARKS |
|-----|----|--------------|------|--------------------|---------|
| 1   |    | E165-000160  | 1    | PIPE,BLOWER        |         |
| 2   |    | E165-000141  | 1    | PIPE,BLOWER        |         |
| 3   |    | E165-000130  | 1    | PIPE,BLOWER        |         |
| 4   |    | 210011-08260 | 1    | ELBOW, BLOWING     |         |
| 5   |    | V495-000430  | 2    | BAND               |         |
| 6   |    | E164-000000  | 1    | PIPE,FLEXIBLE      |         |
| 7   |    | 895410-39131 | 1    | WRENCH, W/S-DRIVER |         |
| 8   |    | V491-000191  | 1    | CLIP               |         |

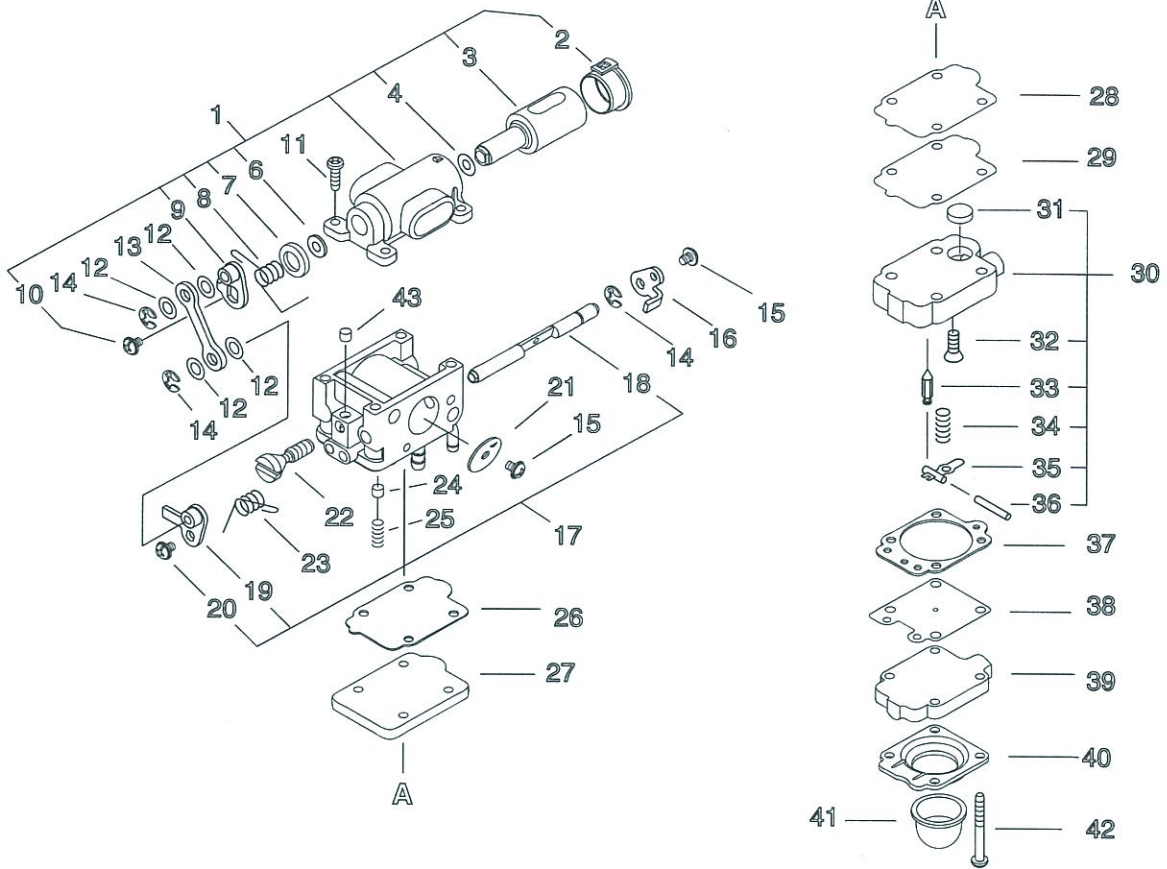
# PB-500(37) 8 THROTTLE



| KEY | LV | PART NUMBER  | Q'TY | DESCRIPTION        | REMARKS |
|-----|----|--------------|------|--------------------|---------|
| 1   |    | P021-015222  | 1    | FRONT HANDLE ASY   |         |
| 2   | +  | 91545-03014  | 1    | SCREW TAPTITE-P    |         |
| 3   | +  | E151-000000  | 1    | KNOB, LEVER        |         |
| 4   | +  | C453-000211  | 1    | LEVER, THROTTLE    |         |
| 5   | +  | 178010-07561 | 1    | CONTROL, THROTTLE  |         |
| 6   | +  | C453-000203  | 1    | LEVER, THROTTLE    |         |
| 7   | +  | 889950-21060 | 4    | SCREW 5            |         |
| 8   |    | X505-000950  | 1    | LABEL, CAUTION     |         |
| 9   |    | 305812-08260 | 1    | KNOB, FASTENER     |         |
| 10  |    | 91145-05020  | 1    | BOLT HS TAPPING    |         |
| 11  |    | C405-000240  | 1    | BRACKET, HANDLE    |         |
| 12  |    | V043-000251  | 1    | CABLE ASY, CONTROL |         |
| 13  |    | C405-000230  | 1    | BRACKET, HANDLE    |         |
| 15  |    | 178121-43230 | 1    | BAND               |         |
| 16  |    | 889950-21560 | 1    | SCREW 5            |         |



| KEY | LV | PART NUMBER  | Q'TY | DESCRIPTION          | REMARKS |
|-----|----|--------------|------|----------------------|---------|
|     |    | A021-001641  | 1    | CARBURETOR,DIAPHRAGM |         |
| 1   | +  | P003-001970  | 1    | AIR VALVE ASY        |         |
| 2   | ++ | P003-002010  | 1    | COVER AIR VALVE      |         |
| 3   | ++ | P003-002020  | 1    | VALVE AIR            |         |
| 4   | ++ | P003-002050  | 1    | WASHER               |         |
| 6   | ++ | P003-002060  | 1    | SEAL DUST            |         |
| 7   | ++ | P003-002000  | 1    | COVER DUST           |         |
| 8   | ++ | P003-002040  | 1    | SPRING RETURN        |         |
| 9   | ++ | P003-001990  | 1    | LINK ASSEMBLY-AIR    |         |
| 10  | ++ | P003-002030  | 1    | SCREW                |         |
| 11  | +  | 123114-40630 | 4    | SCREW                |         |
| 12  | +  | 123149-26030 | 4    | WASHER               |         |
| 13  | +  | P003-002080  | 1    | LINK ROD             |         |
| 14  | +  | 123127-15030 | 3    | RING                 |         |
| 15  | +  | 123114-38830 | 2    | SCREW                |         |
| 16  | +  | P003-002070  | 1    | LEVER OUTER          |         |
| 17  | +  | P003-002170  | 1    | SHAFT ASY THROTTLE   |         |
| 18  | ++ | P003-002100  | 1    | SHAFT THROTTLE       |         |
| 19  | ++ | P003-002090  | 1    | LINK ASY THROTTLE    |         |
| 20  | ++ | 123114-38830 | 1    | SCREW                |         |
| 21  | +  | 123116-05230 | 1    | VALVE, THROTTLE      |         |
| 22  | +  | P003-002130  | 1    | SCREW IDLE SPEED     |         |
| 23  | +  | P003-002150  | 1    | SPRING               |         |
| 24  | +  | 123185-39130 | 1    | PISTON ASSY          |         |
| 25  | +  | P003-002140  | 1    | SPRING               |         |
| 26  | +  | P003-002110  | 1    | GASKET PASSAGE       |         |



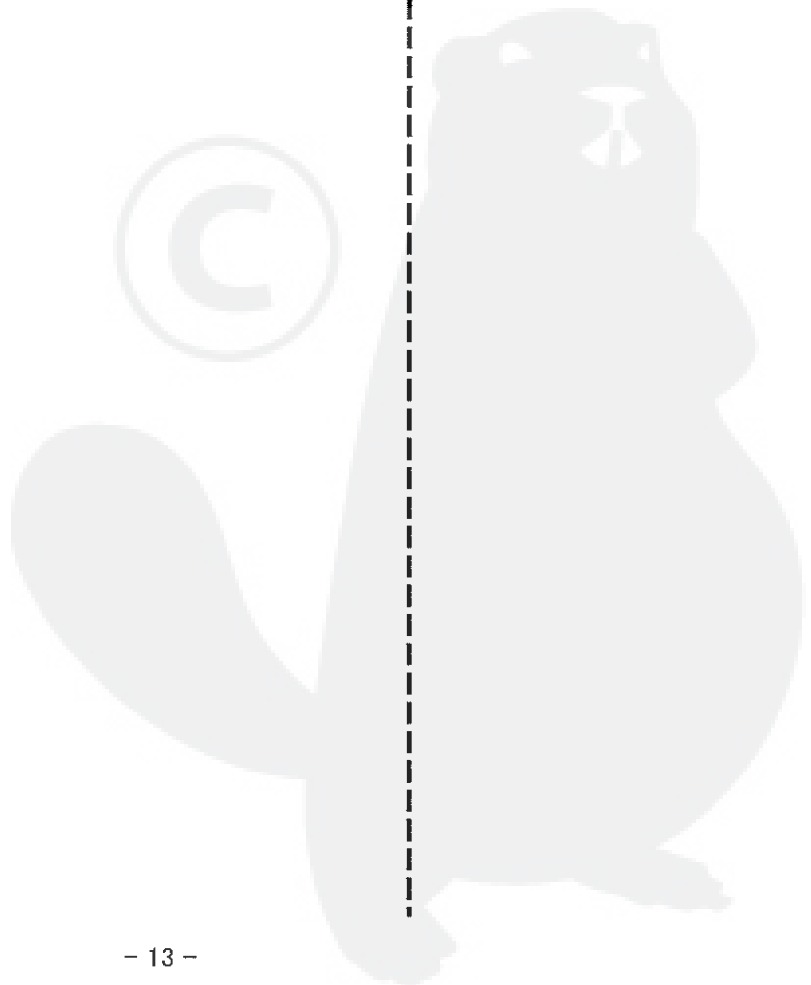
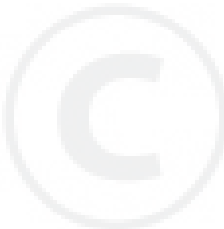
| KEY | LV | PART NUMBER  | Q'TY | DESCRIPTION          | REMARKS |
|-----|----|--------------|------|----------------------|---------|
|     | +  | P003-002160  | 1    | PLATE PASSAGE        |         |
|     | +  | P003-000100  | 1    | GASKET, PUMP         |         |
|     | +  | 123112-40630 | 1    | DIAPHRAGM, PUMP      |         |
|     | +  | 123179-05560 | 1    | BODY ASSY, PUMP      |         |
|     | ++ | 123126-10631 | 1    | SCREEN, INLET        |         |
|     | ++ | 123139-05560 | 1    | SCREW, M. LEVER PIN  |         |
|     | ++ | 123137-19830 | 1    | VALVE, INLET NEEDLE  |         |
|     | ++ | 123122-05560 | 1    | SPRING, METER. LEVER |         |
|     | ++ | 123123-03930 | 1    | LEVER, METERING      |         |
|     | ++ | 123138-03930 | 1    | PIN, METERING LEVER  |         |
|     | +  | 123140-05560 | 1    | GASKET, M. DIAPHRAGM |         |
|     | +  | P003-001850  | 1    | DIAPHRAGM, METERING  |         |
|     | +  | 123180-05560 | 1    | BODY, AIR PURGE      |         |
|     | +  | 123142-05560 | 1    | COVER, PRIMER PUMP   |         |
|     | +  | 123181-40630 | 1    | PUMP, PRIMER         |         |
|     | +  | P003-002120  | 4    | SCREW                |         |
|     | +  | 123178-15030 | 1    | PLUG, FRICTION       |         |

**Index**

| <b>Patrs Number</b> | <b>Key No.</b> | <b>Patrs Number</b> | <b>Key No.</b> | <b>Patrs Number</b> | <b>Key No.</b> |
|---------------------|----------------|---------------------|----------------|---------------------|----------------|
| 100012-12330        | 1 - 10         | 178121-43230        | 8 - 15         | A011-000530         | 1 - 13         |
| 100013-06210        | 1 - 8          | 200010-09861        | 5 - 8          | A021-001641         | 3 - 12         |
| 100013-39730        | 1 - 8          | 210011-08260        | 7 - 4          | A021-001641         | 9 -            |
| 100014-17330        | 1 - 11         | 300105-08261        | 6 - 3          | A051-001270         | 2 - 16         |
| 100015-00120        | 1 - 9          | 305812-08260        | 8 - 9          | A101-000200         | 1 - 7          |
| 100213-00310        | 1 - 16         | 613019-07350        | 6 - 8          | A130-000900         | 1 - 4          |
| 100215-03930        | 1 - 17         | 889950-21060        | 8 - 7          | A160-001040         | 1 - 2          |
| 104913-08360        | 5 - 11         | 889950-21560        | 8 - 16         | A190-000720         | 5 - 22         |
| 123112-40630        | 9 - 29         | 890332-52730        | 3 - 14         | A190-000721         | 5 - 22         |
| 123114-38830        | 9 - 15         | 895410-39131        | 7 - 7          | A221-000020         | 3 - 17         |
| 123114-38830        | 9 - 20         | 900105-05060        | 5 - 13         | A226-000032         | 3 - 19         |
| 123114-40630        | 9 - 11         | 900105-06020        | 2 - 33         | A232-000461         | 3 - 20         |
| 123116-05230        | 9 - 21         | 900105-06025        | 6 - 19         | A313-001030         | 2 - 28         |
| 123122-05560        | 9 - 34         | 900106-05008        | 1 - 1          | A358-000000         | 4 - 7          |
| 123123-03930        | 9 - 35         | 900106-05016        | 2 - 32         | A409-000331         | 2 - 4          |
| 123126-10631        | 9 - 31         | 900162-05018        | 2 - 24         | A411-000420         | 2 - 6          |
| 123127-15030        | 9 - 14         | 900162-05020        | 5 - 7          | A425-000000         | 2 - 10         |
| 123137-19830        | 9 - 33         | 900162-05020        | 6 - 5          | C061-000111         | 6 - 1          |
| 123138-03930        | 9 - 36         | 900162-05022        | 1 - 3          | C061-000190         | 6 - 1          |
| 123139-05560        | 9 - 32         | 900162-05032        | 1 - 21         | C405-000230         | 8 - 13         |
| 123140-05560        | 9 - 37         | 900162-05040        | 1 - 15         | C405-000240         | 8 - 11         |
| 123142-05560        | 9 - 40         | 900162-05065        | 3 - 16         | C453-000203         | 8 - 6          |
| 123149-26030        | 9 - 12         | 900209-05020        | 4 - 10         | C453-000211         | 8 - 4          |
| 123178-15030        | 9 - 43         | 900238-04010        | 2 - 27         | C483-000032         | 3 - 11         |
| 123179-05560        | 9 - 30         | 900238-05018        | 1 - 24         | C617-000230         | 5 - 4          |
| 123180-05560        | 9 - 39         | 900238-05018        | 2 - 5          | C620-000212         | 6 - 9          |
| 123181-40630        | 9 - 41         | 900246-03012        | 5 - 10         | C622-000000         | 6 - 17         |
| 123185-39130        | 9 - 24         | 900246-04014        | 3 - 18         | E103-000531         | 5 - 16         |
| 131010-08266        | 4 - 11         | 900319-30070        | 4 - 2          | E103-000540         | 5 - 6          |
| 131016-21060        | 4 - 8          | 900323-03014        | 1 - 12         | E104-000061         | 5 - 2          |
| 131051-27230        | 4 - 3          | 900501-00010        | 2 - 1          | E151-000000         | 8 - 3          |
| 131053-03060        | 4 - 5          | 900516-00005        | 4 - 9          | E164-000000         | 7 - 6          |
| 131205-19831        | 4 - 20         | 900516-00005        | 5 - 19         | E165-000130         | 7 - 3          |
| 131314-06320        | 4 - 6          | 900516-00005        | 6 - 16         | E165-000141         | 7 - 2          |
| 131600-09861        | 4 - 1          | 900600-00003        | 4 - 4          | E165-000160         | 7 - 1          |
| 132011-08260        | 4 - 15         | 900600-00005        | 5 - 14         | G213-000090         | 3 - 6          |
| 132013-26630        | 4 - 18         | 900602-00010        | 2 - 3          | P003-000100         | 9 - 28         |
| 132021-08260        | 4 - 16         | 900605-00010        | 2 - 2          | P003-001850         | 9 - 38         |
| 132115-02960        | 4 - 17         | 900630-00005        | 6 - 15         | P003-001970         | 9 - 1          |
| 145862-06720        | 2 - 30         | 900810-36202        | 1 - 20         | P003-001990         | 9 - 9          |
| 145866-04261        | 2 - 29         | 91145-05016         | 5 - 3          | P003-002000         | 9 - 7          |
| 151112-04630        | 1 - 22         | 91145-05016         | 6 - 13         | P003-002010         | 9 - 2          |
| 156111-06160        | 2 - 7          | 91145-05020         | 5 - 24         | P003-002020         | 9 - 3          |
| 159011-03432        | 2 - 9          | 91145-05020         | 8 - 10         | P003-002030         | 9 - 10         |
| 159012-03433        | 2 - 8          | 91145-05025         | 5 - 21         | P003-002040         | 9 - 8          |
| 159129-08261        | 1 - 23         | 91145-05025         | 5 - 5          | P003-002050         | 9 - 4          |
| 177202-06210        | 2 - 12         | 91147-05020         | 6 - 7          | P003-002060         | 9 - 6          |
| 178010-07561        | 8 - 5          | 91545-03014         | 8 - 2          | P003-002070         | 9 - 16         |
| 178121-43230        | 4 - 21         | 94032-36302         | 1 - 18         | P003-002080         | 9 - 13         |

Index

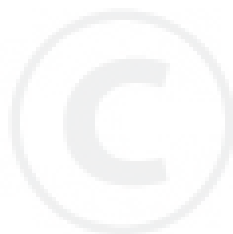
| Patrs Number | Key No. | Patrs Number | Key No. | Patrs Number | Key No. |
|--------------|---------|--------------|---------|--------------|---------|
| P003-002090  | 9 - 19  | V485-000190  | 2 - 11  |              |         |
| P003-002100  | 9 - 18  | V491-000040  | 6 - 2   |              |         |
| P003-002110  | 9 - 26  | V491-000110  | 6 - 20  |              |         |
| P003-002120  | 9 - 42  | V491-000120  | 5 - 1   |              |         |
| P003-002130  | 9 - 22  | V491-000120  | 6 - 4   |              |         |
| P003-002140  | 9 - 25  | V491-000191  | 7 - 8   |              |         |
| P003-002150  | 9 - 23  | V495-000430  | 7 - 5   |              |         |
| P003-002160  | 9 - 27  | V555-000010  | 1 - 10  |              |         |
| P003-002170  | 9 - 17  | V580-000010  | 1 - 9   |              |         |
| P021-014970  | 1 - 6   | X502-000410  | 2 - 25  |              |         |
| P021-014971  | 1 - 6   | X503-009520  | 5 - 15  |              |         |
| P021-014972  | 1 - 6   | X505-000950  | 8 - 8   |              |         |
| P021-014980  | 1 - 14  | X505-002080  | 5 - 18  |              |         |
| P021-014981  | 1 - 14  | X505-002310  | 5 - 23  |              |         |
| P021-014982  | 1 - 14  |              |         |              |         |
| P021-014991  | 3 - 8   |              |         |              |         |
| P021-015001  | 3 - 15  |              |         |              |         |
| P021-015010  | 5 - 20  |              |         |              |         |
| P021-015040  | 2 - 26  |              |         |              |         |
| P021-015220  | 8 - 1   |              |         |              |         |
| P021-015221  | 8 - 1   |              |         |              |         |
| P021-015222  | 8 - 1   |              |         |              |         |
| P021-016130  | 3 - 1   |              |         |              |         |
| P021-016140  | 3 - 4   |              |         |              |         |
| V043-000251  | 8 - 12  |              |         |              |         |
| V100-000260  | 1 - 5   |              |         |              |         |
| V102-000050  | 1 - 19  |              |         |              |         |
| V103-000440  | 3 - 3   |              |         |              |         |
| V103-000440  | 3 - 3   |              |         |              |         |
| V103-000450  | 3 - 7   |              |         |              |         |
| V103-000461  | 3 - 10  |              |         |              |         |
| V103-000471  | 3 - 13  |              |         |              |         |
| V104-000900  | 2 - 31  |              |         |              |         |
| V140-000020  | 3 - 5   |              |         |              |         |
| V150-001350  | 6 - 6   |              |         |              |         |
| V202-000140  | 3 - 2   |              |         |              |         |
| V202-000140  | 3 - 2   |              |         |              |         |
| V203-000310  | 3 - 9   |              |         |              |         |
| V263-000050  | 6 - 12  |              |         |              |         |
| V299-000290  | 3 - 21  |              |         |              |         |
| V304-000040  | 6 - 18  |              |         |              |         |
| V354-000130  | 5 - 12  |              |         |              |         |
| V401-000110  | 6 - 14  |              |         |              |         |
| V450-000390  | 6 - 11  |              |         |              |         |
| V456-000010  | 6 - 10  |              |         |              |         |
| V471-000770  | 4 - 19  |              |         |              |         |
| V471-002150  | 4 - 13  |              |         |              |         |
| V471-002160  | 4 - 14  |              |         |              |         |
| V475-004110  | 4 - 12  |              |         |              |         |



# YAMABIKO CORPORATION

7-2 SUEHIROCHO 1-CHOME, OHME, TOKYO 198-8760, JAPAN  
PHONE: 81-428-32-6118. FAX: 81-428-32-6145.

**ECHO**®



10Hb  
No. 65-099