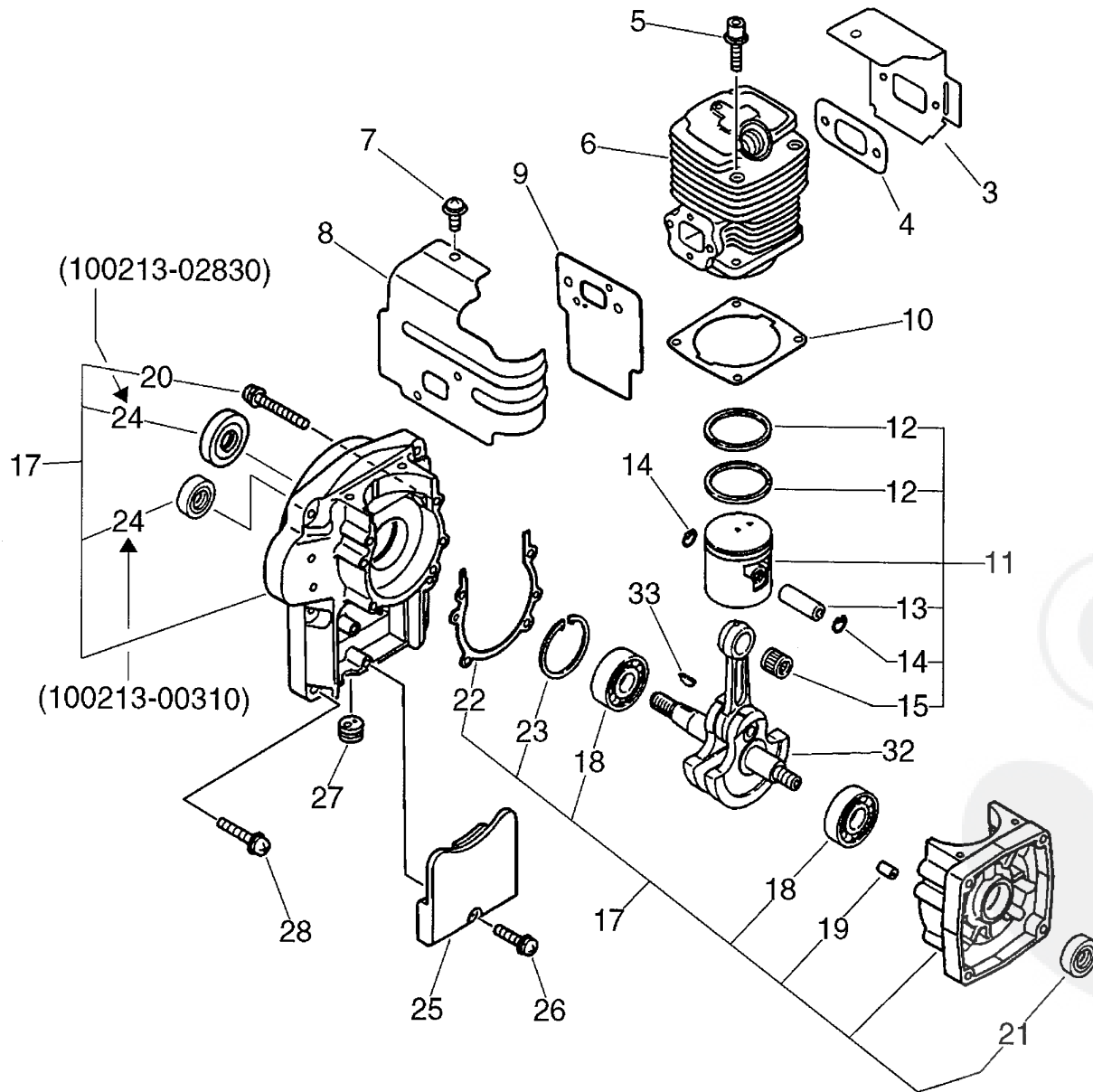


# No.1



# P a r t s L i s t

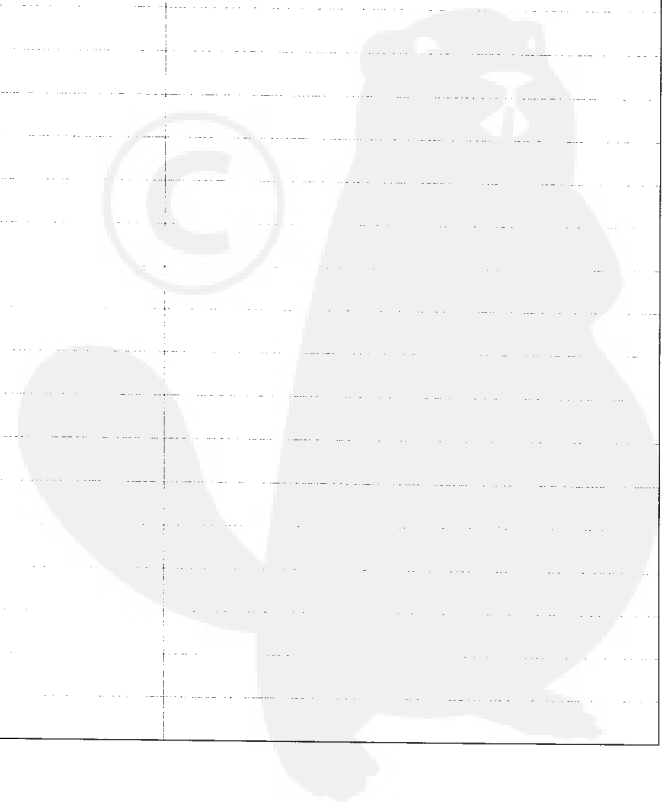
Group:Power Blowers Model:PB-6000 Section:Cylinder, Crankcase, Piston( 1)

Key	Lv	Part Number	Q'ty	Description	Remarks	Note
3		101514-06210	1	COVER, CYLINDER	Sus. by A160-000450	
3		A160-000450	1	COVER,CYLINDER		
4		145510-06210	1	GASKET, MUFFLER	Sus. by 145510-06211	
4		145510-06211	1	GASKET, MUFFLER		
5		900162-05020	4	BOLT, H.S. 5*20	Sus. by 900162-05022	
5		900162-05022	4	BOLT, H.S. 5*22		
6		101011-06211	1	CYLINDER	Sr/Nr 034739 and before	
6		101011-08360	1	CYLINDER	Sr/Nr 034740 and after	
6		A130-000110	1	CYLINDER	Sus. by A130-000111	
6		A130-000111	1	CYLINDER	Sr/Nr 034740 and after	
7		900238-05010	1	SCREW 5*10		
8		101514-08260	1	COVER, CYLINDER		
9		130016-06210	1	GASKET, INTAKE	Sus. by 130016-06211	
9		130016-06211	1	GASKET, INTAKE		
10		101010-06210	1	GASKET, CYL. BASE	Sus. by 101010-06211	
10		101010-06211	1	GASKET, CYL. BASE		
11		100000-08360	1	PISTON KIT	Sr/Nr 015637 to 051700	
11		P021-001820	1	PISTON KIT	Sr/Nr 051701 and after	
12	+	100011-08360	2	RING, PISTON		
13	+	100013-06210	1	PIN, PISTON		
14	+	100015-00120	2	CIRCLIP, PISTON PIN		
15	+	100012-12330	1	BEARING, NEEDLE	Sus. by 100012-12331	
15	+	100012-12331	1	BEARING, NEEDLE		
17		100204-08260	1	CRANKCASE KIT	Sus. by 100204-08261	
17		100204-08261	1	CRANKCASE KIT		
18	+	900810-36202	2	BEARING, BALL 6202		
19	+	100215-03930	2	PIN, DOWEL		
20	+	900162-05040	4	BOLT, H.S. 5*40		

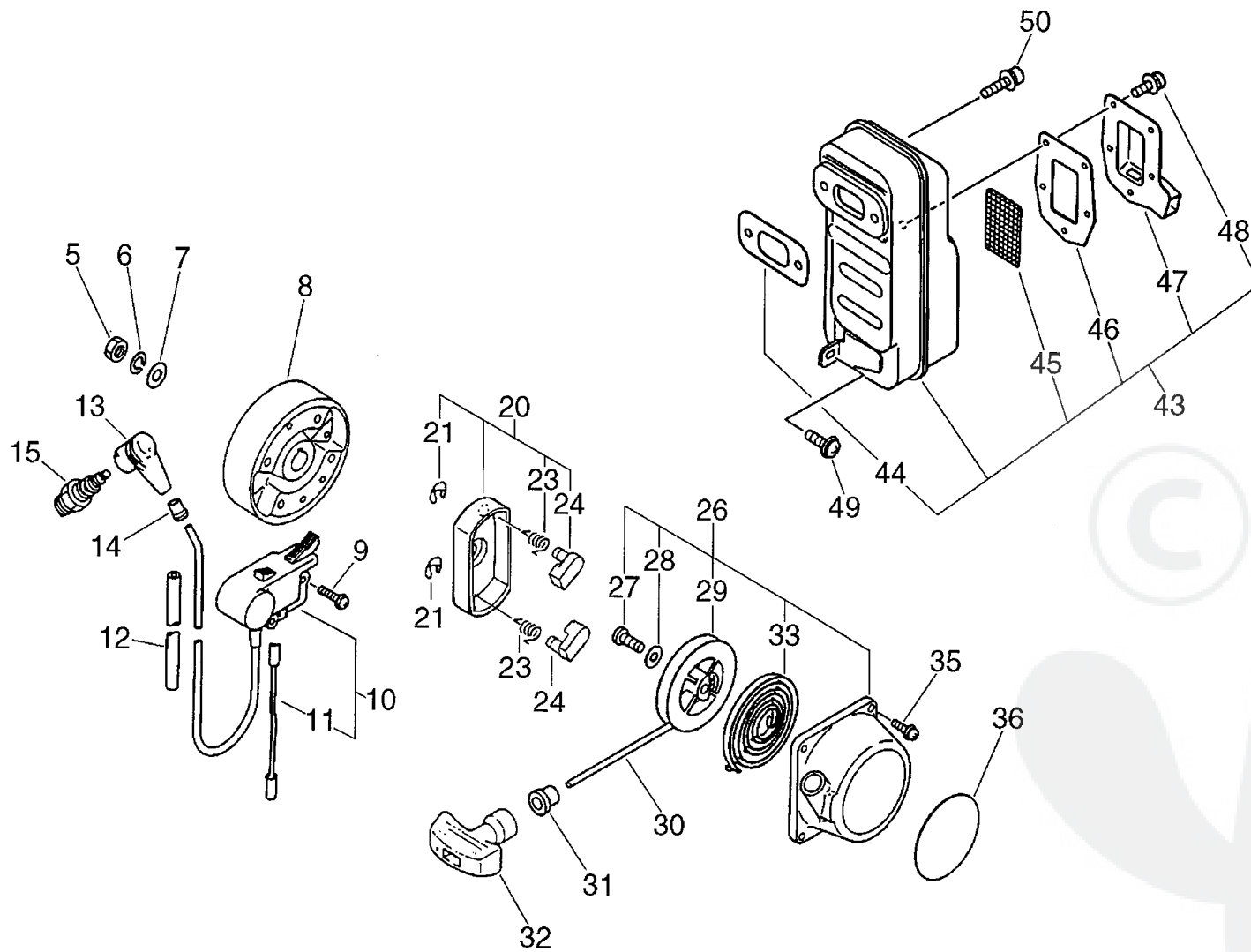
# Parts List

Group:Power Blowers Model:PB-6000 Section:Cylinder, Crankcase, Piston( 1)

Key	Lv	Part Number	Q'ty	Description	Remarks	Note
21	+	100213-00310	1	OILSEAL		
22	+	100242-10720	1	GASKET, CRANKCASE	Sus. by 100242-10721	
22	+	100242-10721	1	GASKET, CRANKCASE		
23	+	900702-00035	1	CIRCLIP 35	Sr/Nr 038159 and before	
24	+	100213-02830	1	OILSEAL	Sr/Nr 038159 and before	
24	+	100213-00310	1	OILSEAL	Sr/Nr 038160 and after	
25		159129-08260	1	COVER, DUST		
26		900238-05018	1	SCREW 5*18		
27		151112-04630	1	BUSHING		
28		900162-05032	6	BOLT, H.S. 5*32		
32		100100-06210	1	CRANKSHAFT ASSY		
33		900323-03014	1	KEY WOODRUFF		



# No.2



# P a r t s L i s t

Group:Power Blowers Model:PB-6000 Section:Starter, Magneto, Muffler( 2)

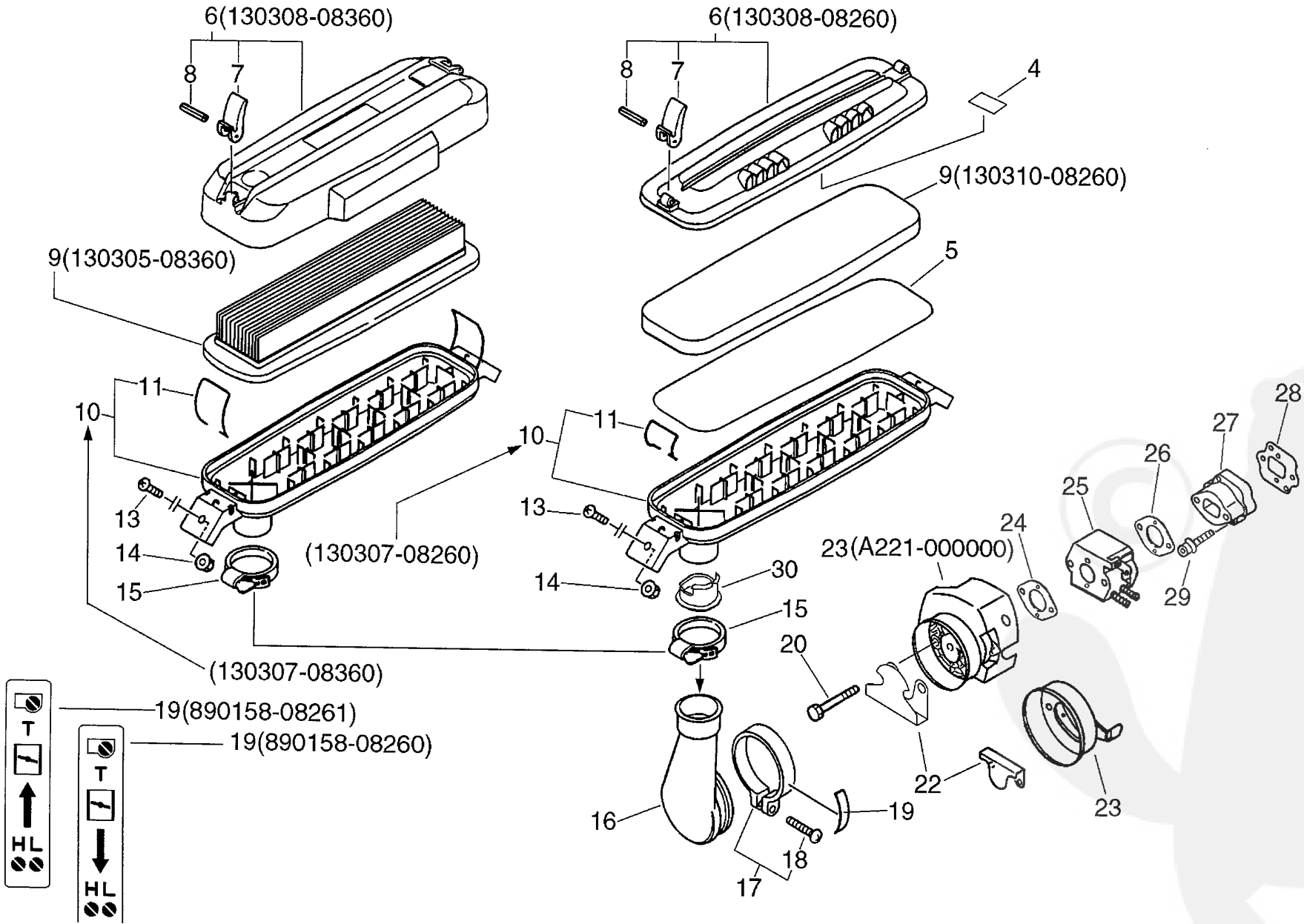
Key	Lv	Part Number	Q'ty	Description	Remarks	Note
5		900501-00010	1	NUT 10*1.25		
6		900605-00010	1	WASHER, SPRING 10		
7		900602-00010	1	WASHER 10(10.5*21*2)		
8		156800-06161	1	ROTOR, MAGNETO		
9		900238-05018	2	SCREW 5*18		
10		156601-09860	1	C.D. IGNITION MODULE	Sus. by 156601-09861	
10		156601-09861	1	C.D. IGNITION MODULE		
11	+	162021-08260	1	LEAD	Sus. by 162021-08260	
11		V485-000190	1	LEAD		
12		156111-06160	1	TUBE 6.3*8*380		
13		159012-10230	1	CAP, SPARK PLUG		
14		159016-05330	1	ADAPTER, PLUG CAP		
15		159010-10230	1	PLUG, SPARK (BPMR-7A		
20		177202-06210	1	PAWL ASSY, STARTER	Sr/Nr 36003158 and before	
20		A052-000042	1	PAWL ASSY, STARTER	Sr/Nr 36003159 and after	
21	+	900700-00004	1	E-RING 4	Sr/Nr 36003158 and before	
21	+	P022-002100	2	E-RING	Sr/Nr 36003159 and after	
23	+	177234-40630	1	SPRING, RETURN	Sr/Nr 36003158 and before	
23	+	P022-003130	2	SPRING, RETURN	Sr/Nr 36003159 and after	
24	+	177218-40630	1	PAWL, STARTER	Sr/Nr 36003158 and before	
24	+	P022-003120	2	PAWL, STARTER	Sr/Nr 36003159 and after	
26		177200-08260	1	STARTER ASSY	Sr/Nr 36003158 and before	
26		A051-000930	1	STARTER ASSY	Sr/Nr 36003159 and after	
27	+	177236-40630	1	SCREW	Sr/Nr 36003158 and before	
27	+	177236-06910	1	SCREW	Sr/Nr 36003159 and after	
28	+	177214-40630	1	WASHER		
29	+	177215-11120	1	DRUM, STARTER	Sr/Nr 36003158 and before	
29	+	P022-005910	1	DRUM, STARTER	Sr/Nr 36003159 and after	

# P a r t s L i s t

Group:Power Blowers Model:PB-6000 Section:Starter, Magneto, Muffler( 2)

Key	Lv	Part Number	Q'ty	Description	Remarks	Note
30	+	177226-11120	1	ROPE, STARTER	Sr/Nr 36003158 and before	
30	+	P022-010580	1	ROPE, STARTER	Sr/Nr 36003159 and after	
31	+	177227-42030	1	GUIDE, ROPE		
32	+	177228-01110	1	GRIP, STARTER		
33	+	177220-11120	1	REWIND SPRING	Sr/Nr 36003158 and before	
33	+	P022-004680	1	REWIND SPRING	Sr/Nr 36003159 and after	
35		900162-04018	4	BOLT, H.S. 4*18	Sus. by 900163-04018	
35		900163-04018	4	BOLT HSH		
36		890118-49330	1	LABEL, ECHO	Sr/Nr 36003158 and before	
36		890118-17930	1	LABEL, ECHO	Sr/Nr 36003159 and after	
43		145800-08260	1	MUFFLER ASSY	Sr/Nr 051700 and before	
43		P021-001830	1	MUFFLER ASY	Sus. by P021-001833	
43		P021-001831	1	MUFFLER ASY	Sus. by P021-001833	
43		P021-001832	1	MUFFLER ASY	Sus. by P021-001833	
43		P021-001833	1	MUFFLER ASY	Sr/Nr 051701 and after	
44	+	145510-06210	2	GASKET, MUFFLER	Sus. by 145510-06211	
44	+	145510-06211	2	GASKET, MUFFLER		
45	+	145862-06720	1	SCREEN, MUFFLER		
46	+	145866-04261	1	GASKET		
47	+	145874-08261	1	GUIDE, EXHAUST	Sr/Nr 051700 and before	
47	+	A313-000100	1	GUIDE, EXH	Sus. by A313-000240	
47	+	A313-000240	1	GUIDE, EXH	Sr/Nr 051701 and after	
48	+	900238-04010	5	SCREW 4*10		
49		900162-05020	1	BOLT, H.S. 5*20	Sus. by 900106-05020	
49		900106-05020	1	BOLT, H.S. 5*20		
50		900105-06020	2	BOLT, H.S. 6*20		

# No.3



# P a r t s L i s t

Group:Power Blowers Model:PB-6000 Section:Air Cleaner( 3)

Key	Lv	Part Number	Q'ty	Description	Remarks	Note
4		890187-08360	1	LABEL, CLEANER	Sr/Nr 017553 and before	
5		130317-08360	1	FILTER, AIR	Sr/Nr 017553 and before	
6		130308-08260	1	LID, CLEANER	Sr/Nr 017553 and before	
6		130308-08360	1	COVER, AIR CLEANER	Sr/Nr 017554 and after	
7 +		130341-08260	2	KNOB		
8 +		900345-30025	2	PIN, SPRING 3*25		
9		130310-08260	1	FILTER, AIR	Sr/Nr 017553 and before	
9		130305-08360	1	FILTER, AIR	Sr/Nr 017554 and after	
9		130305-08361	1	FILTER, AIR		
10		130307-08260	1	CASE, AIR CLEANER	Sr/Nr 017553 and before	
10		130307-08360	1	CASE, AIR CLEANER	Sr/Nr 017554 and after	
11 +		131032-08260	2	CLIP	Sr/Nr 017553 and before	
11 +		131032-08360	2	CLIP	Sr/Nr 017554 and after	
13		900209-05014	2	SCREW, 5*14	Sus. by 91540-05014	
13		91540-05014	2	SCREW, TRUSS		
14		900516-00005	2	NUT, FRANGE 5		
15		130715-04260	1	BAND (S)	Sus. by 130715-08260	
15		130715-08260	1	BAND (S)		
16		130711-08260	1	ADAPTER, INTAKE		
17		210400-00660	1	CLAMP W/SCREW		
18 +		900238-05025	1	SCREW 5*25		
19		890158-08260	1	LABEL, CHOKE	Sr/Nr 057820 and before	
19		890158-08261	1	LABEL, CHOKE	Sr/Nr 057821 and after	
20		900220-05050	2	SCREW 5*50	Sr/Nr 057820 and before	
20		900242-05057	2	SCREW 5*57	Sr/Nr 057821 and after	
22		129011-08260	1	PLATE	Sus. by A244-000020	
22		A244-000020	1	PLATE, PREVENT		
23		130405-08260	1	BRACKET, AIR CLEANER	Sus. by 130405-09862	



# P a r t s L i s t

Group:Power Blowers Model:PB-6000 Section:Air Cleaner( 3)

Key	Lv	Part Number	Q'ty	Description	Remarks	Note
23		130405-09860	1	BRACKET, AIR CLEANER	Sus. by 130405-09862	
23		130405-09861	1	BRACKET, AIR CLEANER	Sus. by 130405-09862	
23		130405-09862	1	BRACKET, AIR CLEANER	Sr/Nr 057820 and before	
23		A221-000000	1	FIXTURE,CLEANER	Sr/Nr 057821 and after	
24		130016-03730	1	GASKET, CARBURETOR	Sus. by 130016-03731	
24		130016-03731	1	GASKET, CARBURETOR		
25		125200-08361	1	CARBURETOR ASSY	Sus. by 125200-08664	
25		125200-08661	1	CARBURETOR ASSY	Sus. by 125200-08664	
25		125200-08662	1	CARBURETOR	Sus. by 125200-08664	
25		125200-08663	1	CARBURETOR	Sus. by 125200-08664	
25		125200-08664	1	CARBURETOR		
26		130016-06433	1	GASKET	Sus. by 130016-06434	
26		130016-06434	1	GASKET		
27		130007-03461	1	INSULATOR	Sr/Nr 028639 and before	
27		130007-08260	1	INSULATOR	Sus. by 130007-08261	
27		130007-08261	1	INSULATOR	Sr/Nr 028640 and after	
28		130010-10322	1	GASKET	Sus. by V103-000000	
28		130010-10323	1	GASKET	Sus. by V103-000000	
28		V103-000000	1	GASKET		
29		900162-05025	2	BOLT, H.S. 5*25		
30		178076-08360	1	COLLAR		

# P a r t s L i s t

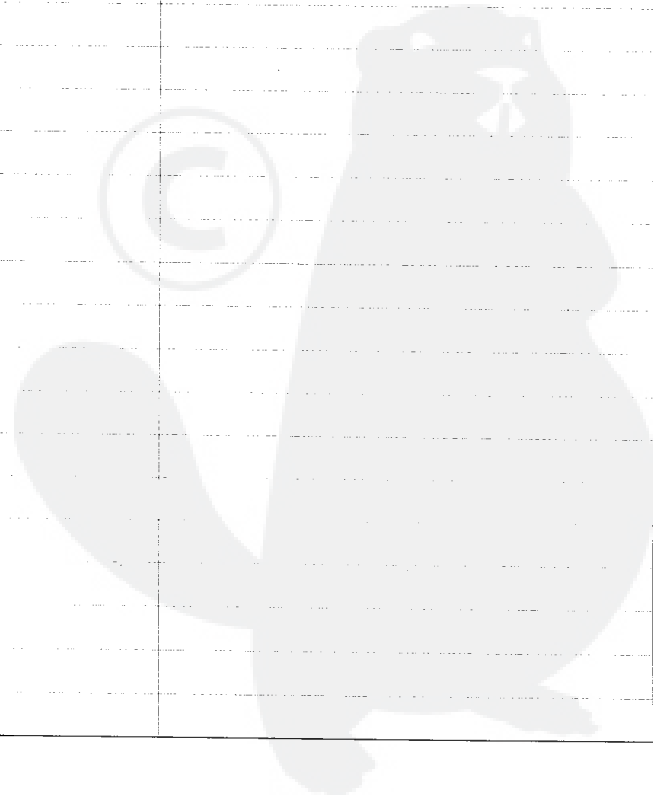
Group:Power Blowers Model:PB-6000 Section:Fuel Tank( 4)

Key	Lv	Part Number	Q'ty	Description	Remarks	Note
5		131600-07460	1	CAP ASSY, FUEL TANK	Sus. by 131600-09861	
5		131604-09860	1	CAP ASSY, FUEL TANK	Sus. by 131600-09861	
5		131600-09860	1	CAP ASSY, FUEL TANK	Sus. by 131600-09861	
5		131600-09861	1	CAP ASSY, FUEL TANK		
1	+	131051-27230	1	LINK	Can be used on the 131604-09860 and 131600-09860	
2	+	900319-30060	1	RIVET3*6	Sus. by 900319-30070	
2	+	900319-30070	1	RIVET3*7	Can be used on the 131604-09860 and 131600-09860	
3	+	900600-00003	1	WASHER 3	Can be used on the 131604-09860 and 131600-09860	
4	+	131053-03060	1	NUT	Can be used on the 131604-09860 and 131600-09860	
6	+	890147-06160	1	LABEL, FUEL MIX	Can be used on the 131600-07460 only	
6	+	890147-08260	1	LABEL, FUEL MIX	Can be used on the 131604-09860 only	
7	+	131314-22330	1	SEAL, BREATHER	Can be used on the 131604-09860 only	
7	+	131314-06320	1	VALVE, CHECK	Can be used on the 131600-07460 and 131600-09860	
8	+	131015-21230	1	HOLDER, CHECK	Sus. by A358-000000	
8	+	A358-000000	1	HOLDER,CHECK VALVE	Can be used on the 131600-07460 and 131600-09860	
9	+	131016-21230	1	GASKET, F.TANK CAP	Can be used on the 131600-07460 only	
9	+	131016-21060	1	GASKET, FUEL CAP	Can be used on the 131600-09860 only	
10		900516-00005	3	NUT, FRANGE 5		
11		900209-05020	3	SCREW, 5*20		
12		131010-08260	1	TANK, FUEL	Sus. by 131010-08265	
12		131010-08261	1	TANK, FUEL	Sus. by 131010-08265	
12		131010-08262	1	TANK, FUEL	Sus. by 131010-08265	
12		131010-08263	1	TANK, FUEL	Sus. by 131010-08265	
12		131010-08264	1	TANK, FUEL	Sus. by 131010-08265	
12		131010-08265	1	TANK, FUEL		
13		132010-08260	1	PIPE, FUEL		
14		132011-08260	1	CONNECTOR, FUEL PIPE		
15		132016-08260	1	PIPE, FUEL		

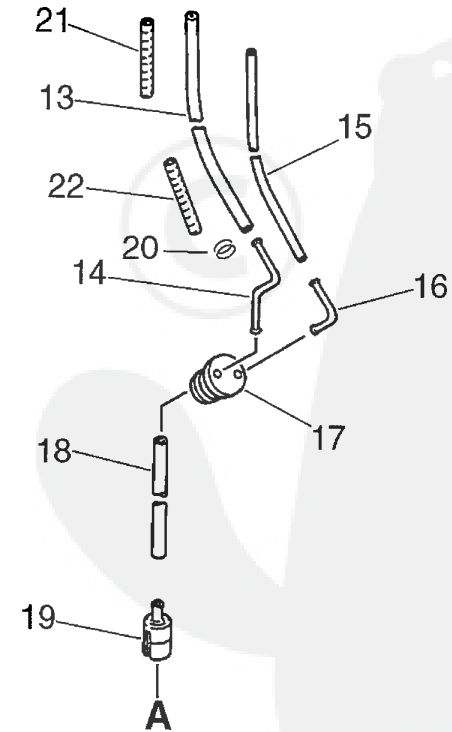
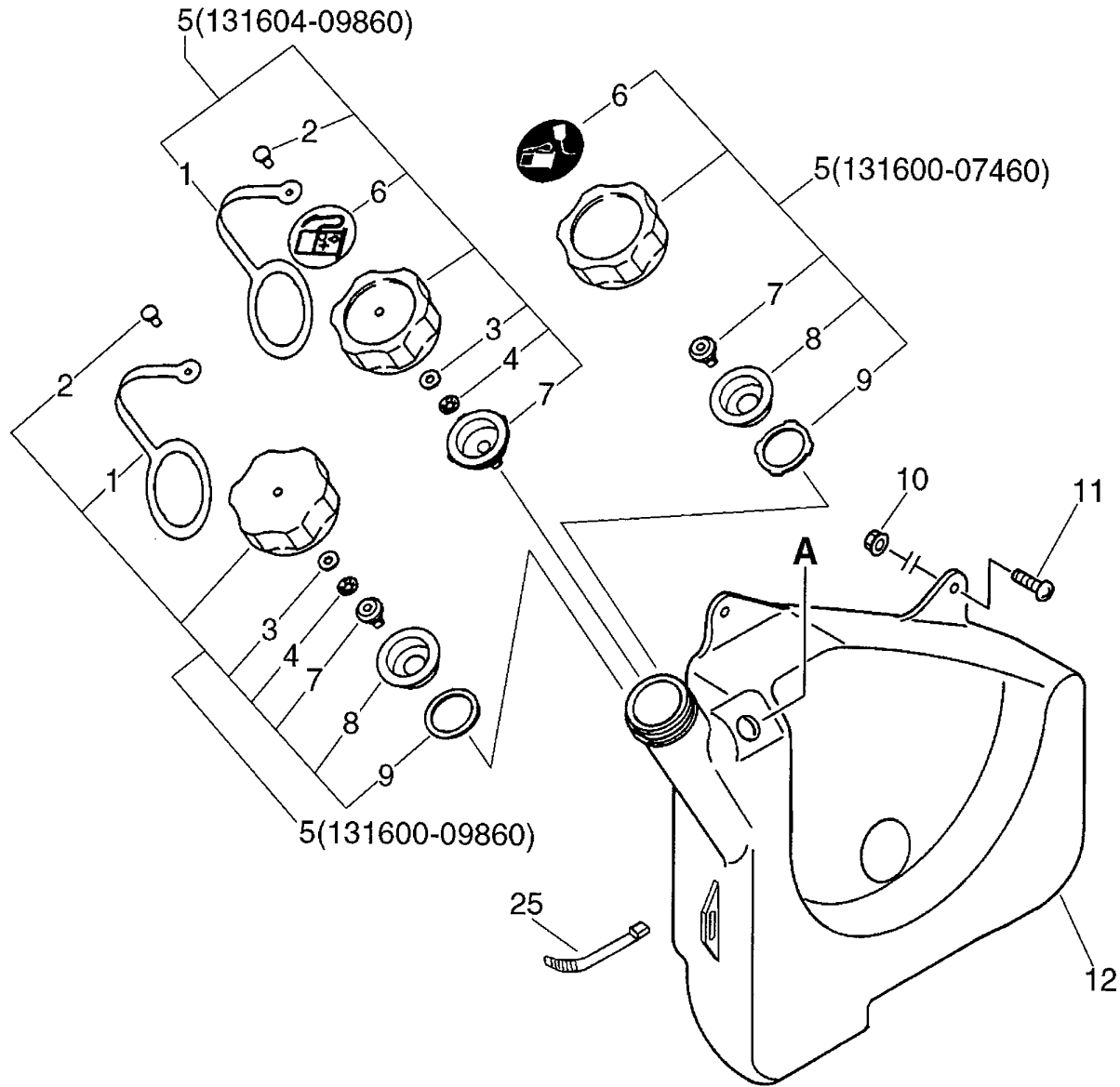
# P a r t s L i s t

Group:Power Blowers Model:PB-6000 Section:Fuel Tank( 4)

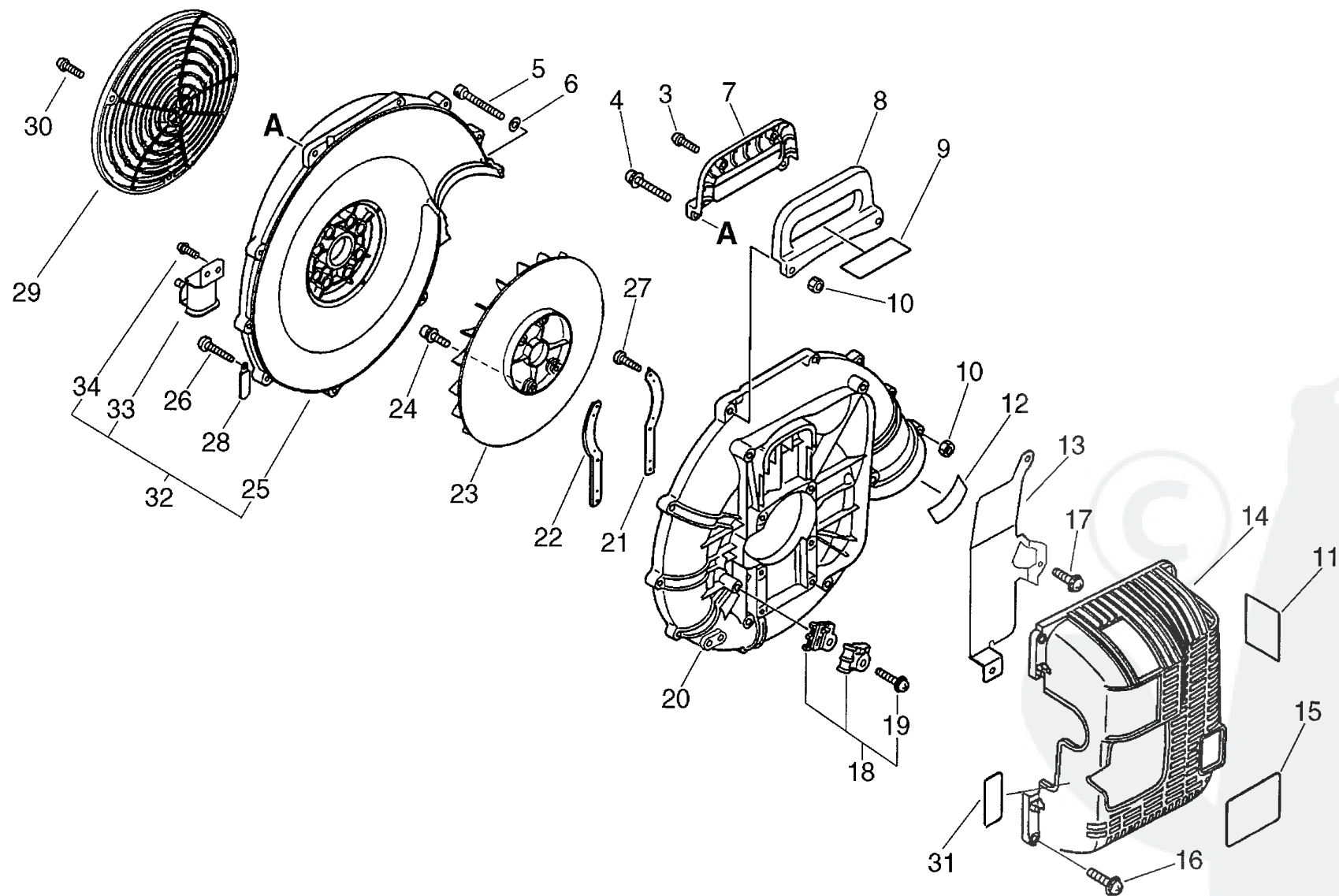
Key	Lv	Part Number	Q'ty	Description	Remarks	Note
16		132021-08260	1	CONNECTOR, PIPE		
17		132115-02960	1	GROMMET		
18		132012-08261	1	PIPE 3*7*270	Sus. by V471-000770	
18		V471-000770	1	PIPE		
19		131205-30830	1	STRAINER, FUEL	Sus. by 131205-19830	
19		131205-19830	1	STRAINER, FUEL		
20		132013-26630	2	CLIP	Sr/Nr 36007209 and after	
21		132015-08260	1	COVER, PROTECTIVE		
22		178127-03460	1	TUBE		
25		V495-000300	1	BAND	Sus. by 178121-43230	
25		178121-43230	1	BAND	Can be used on the 131010-08261,-08262 only	



# No.4



# No.5



# P a r t s L i s t

Group:Power Blowers Model:PB-6000 Section:Fan Case( 5)

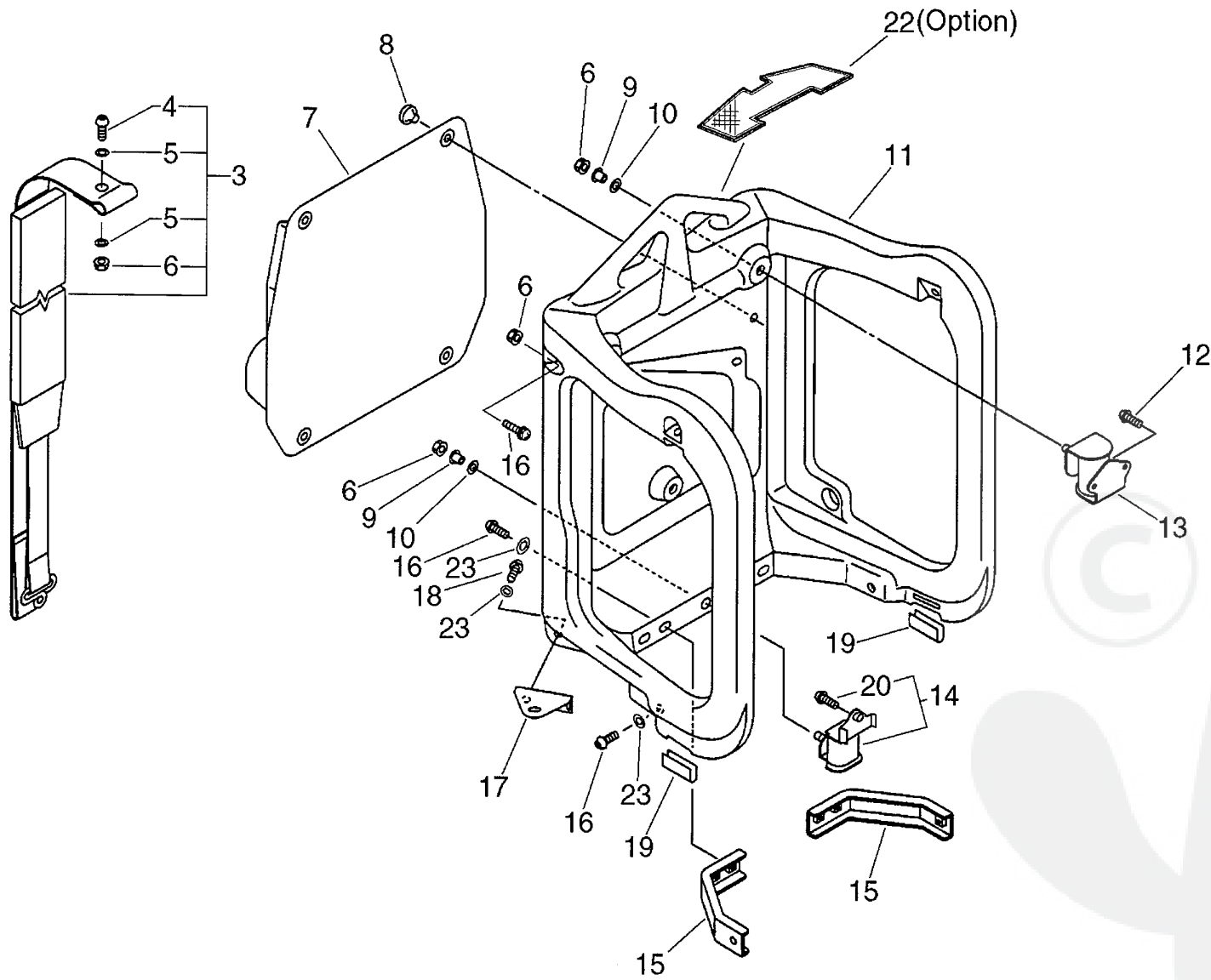
Key	Lv. Part Number	Q'ty	Description	Remarks	Note
3	900253-05016	2	SCREW		
4	900238-05045	2	SCREW 5*45		
5	900105-05060	2	BOLT, H.S. 5*60		
6	900602-00005	2	WASHER 5	Sus. by 900600-00005	
6	900600-00005	2	WASHER 5		
7	351110-08260	1	HANDLE		
8	351010-08260	1	HANDLE		
9	890160-09460	1	LABEL, CAUTION	Sus. by 890160-09461	
9	890160-09461	1	LABEL, CAUTION		
10	900516-00005	4	NUT, FRANGE 5		
11	890160-06360	1	LABEL, CAUTION	Sus. by 890160-06361	
11	890160-06361	1	LABEL, CAUTION		
12	890112-08360	1	LABEL, MODEL	Sus. by 890112-08361	
12	890112-08361	1	LABEL, MODEL		
13	100270-08260	1	INSULATOR	Sr/Nr 062821 and before	
13	A322-000000	1	INSULATOR	Sr/Nr 36001001 and after	
14	104012-08260	1	COVER, ENGINE	Sr/Nr 062821 and before	
14	A190-000102	1	COVER, ENGINE	Sr/Nr 36001001 and after	
15	890115-08360	1	LABEL, MODEL	Disuse	
16	900238-05018	4	SCREW 5*18		
17	900238-05010	1	SCREW 5*10	Sr/Nr 062821 and before	
17	900238-05018	1	SCREW 5*18	Sr/Nr 36001001 and after	
18	178101-08260	1	HOLDER KIT, CABLE		
19 +	900238-05025	1	SCREW 5*25		
20	200105-08260	1	CASE, FAN	Sus. by E103-000103	
20	E103-000103	1	CASE, FAN		
21	104925-08260	1	BRACKET, ENGINE	Sus. by 104913-08360	
21	104913-08360	1	BRACKET, ENGINE		

# P a r t s L i s t

Group:Power Blowers Model:PB-6000 Section:Fan Case( 5)

Key	Lv	Part Number	Q'ty	Description	Remarks	Note
22		104913-08260	1	BRACKET, ENGINE	Sus. by 104913-08360	
22		104913-08360	1	BRACKET, ENGINE		
23		200005-08260	1	FAN	Sus. by 200005-08261	
23		200005-08261	1	FAN		
24		900162-05020	4	BOLT, H.S. 5*20		
25		200111-08260	1	CASE, FAN	Sus. by P021-000385	
32		P021-000380	1	CASE, FAN	Sus. by P021-000385	
32		P021-000381	1	CASE, FAN	Sus. by P021-000385	
32		P021-000382	1	CASE, FAN	Sus. by P021-000385	
32		P021-000383	1	CASE, FAN	Sus. by P021-000385	
32		P021-000384	1	CASE, FAN	Sus. by P021-000385	
32		P021-000385	1	CASE, FAN	Sr/Nr 062821 and before	
25 +		200111-08261	1	CASE, FAN	Sus. by 200111-08264	
25 +		200111-08262	1	CASE, FAN	Sus. by 200111-08264	
25 +		200111-08263	1	CASE, FAN	Sus. by 200111-08264	
25 +		200111-08264	1	CASE, FAN	Sr/Nr 048101 and after	
25 +		200111-08265	1	CASE, FAN		
33 +		V401-000000	1	CUSHION, 5	Sus. by V401-000002	
33 +		V401-000001	1	CUSHION, 5	Sus. by V401-000002	
33 +		V401-000002	1	CUSHION, 5	Sr/Nr 048101 to 062821	
34 +		900253-05016	2	SCREW	Sr/Nr 048101 to 062821	
26.		900253-05030	7	SCREW 5*30		
27		900246-03008	4	SCREW 3*8	Sus. by 90024-03012	
27		900246-03012	4	SCREW 3*12		
28		159116-21231	1	CLAMP	Sr/Nr 062821 and before	
29		200124-09860	1	GRID, FAN CASE		
30		900253-05016	3	SCREW 5*16		
31		890560-90660	1	LABEL, PRIMING		

# No.6





# P a r t s L i s t

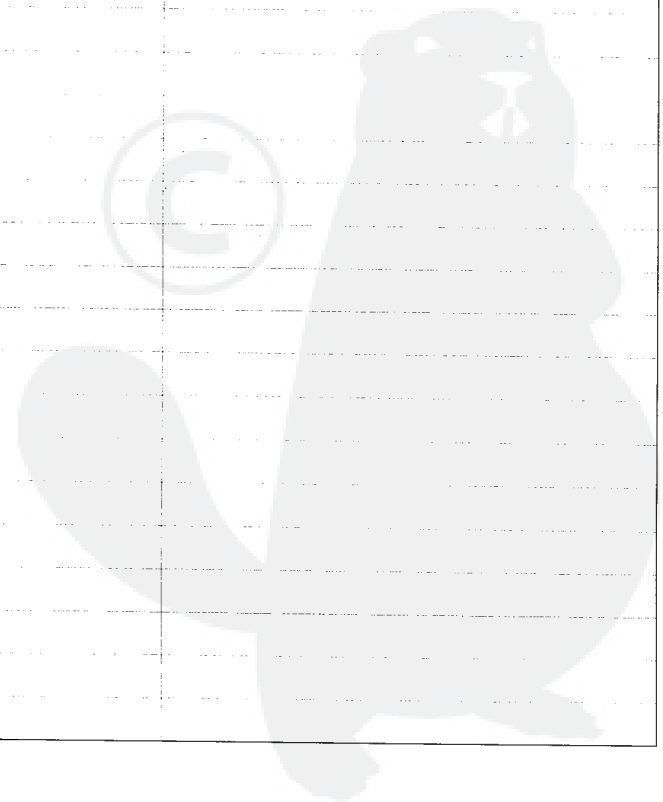
Group:Power Blowers Model:PB-6000 Section:Harness(Sr/Nr 062821 and before) ( 6)

Key	Lv	Part Number	Q'ty	Description	Remarks	Note
3		300300-08260	2	HARNESS, KNAPSACK	Sus. by P021-001761	
3		300300-08261	2	HARNESS, KNAPSACK	Sus. by P021-001761	
3		P021-001760	2	HARNESS, KNAPSACK	Sus. by P021-001761	
3		P021-001761	2	HARNESS, KNAPSACK		
4	+	900209-05014	2	SCREW, 5*14	Sus. by 91540-05014	
4	+	91540-05014	2	SCREW, TRUSS		
5	+	300217-00610	4	WASHER		
6	+	900516-00005	2	NUT, FRANGE 5		
6		900516-00005	5	NUT, FRANGE 5		
7		300105-08260	1	CUSHION, KNAPSACK	Sus. by 300105-08261	
7		300105-08261	1	CUSHION, KNAPSACK		
8		300333-06160	4	CLIP	Sus. by V491-000120	
8		V491-000120	4	CLIP		
9		104915-08260	3	SPACER		
10		131925-02310	3	CUSHION		
11		300010-08260	1	FRAME, BACKPACK	Sus. by 300300-08362	
11		300010-08360	1	FRAME, BACKPACK	Sus. by 300300-08362	
11		300010-08361	1	FRAME, BACKPACK	Sus. by 300300-08362	
11		300010-08362	1	FRAME, BACKPACK		
12		900253-05016	5	SCREW	Sus. by 9200253-05016 QTY:4	
12		900253-05016	4	SCREW		
13		100905-08260	2	CUSHION	Sus. by 100905-08261	
13		100905-08261	2	CUSHION		
14		100907-08260	1	CUSHION	Sus. by P021-000251	
14		P021-000250	1	CUSHION W/SCREW	Sus. by P021-000251	
14		P021-000251	1	CUSHION W/SCREW	Sr/Nr 048100 and before	
20	+	900220-06022	1	SCREW	Sus. by 91371-06020	
20	+	91371-06020	1	SCREW TAPPING		

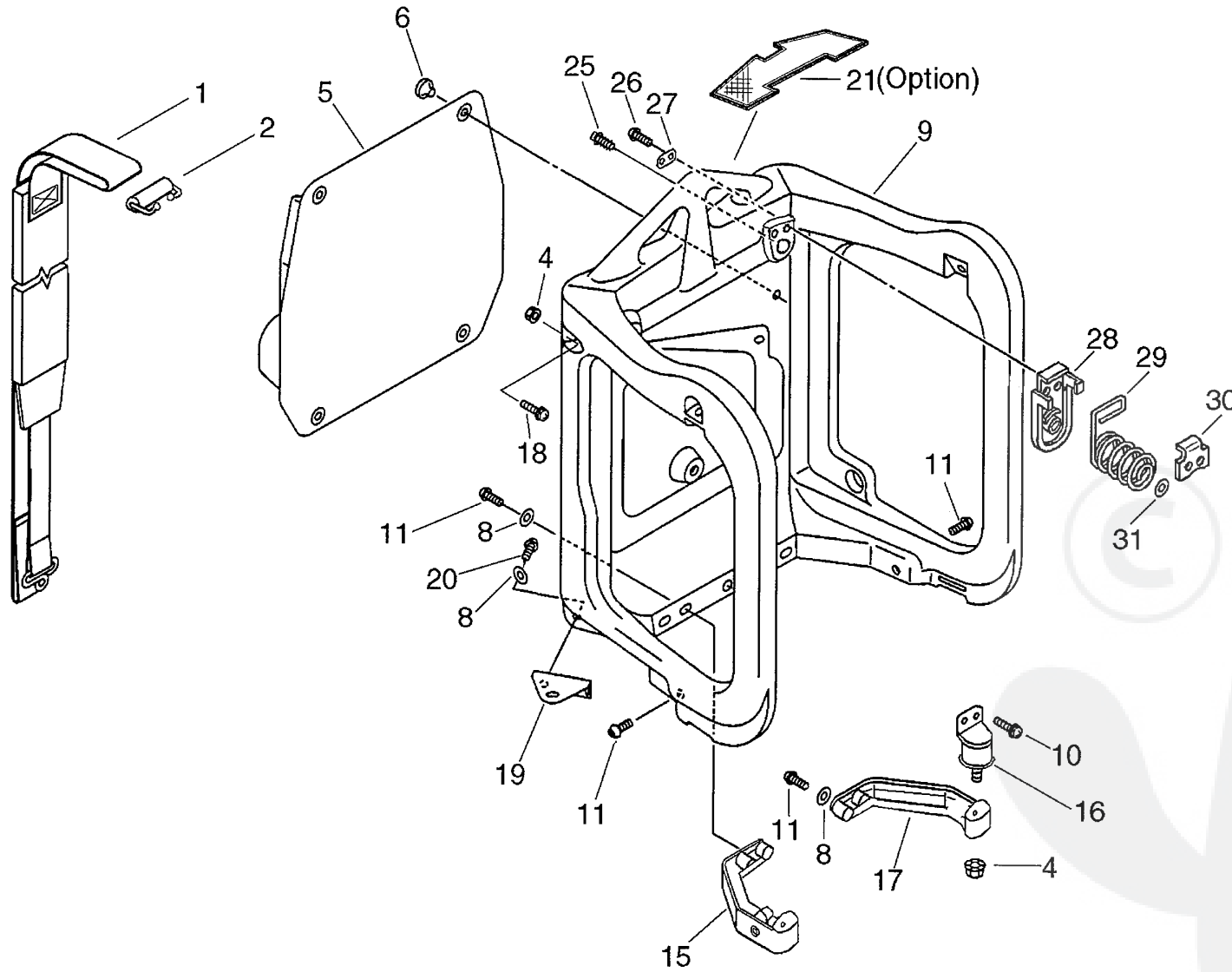
# Parts List

Group:Power Blowers Model:PB-6000 Section:Harness(Sr/Nr 062821 and before)( 6)

Key	Lv.	Part Number	Q'ty	Description	Remarks	Note
15		300012-08260	2	CONNECTOR, FRAME		
16		900209-05014	8	SCREW, 5*14		
17		300614-08260	2	BRACKET, HANGER		
18		900209-05020	4	SCREW, 5*20		
19		300032-08360	2	BUMPER		
22		302914-21060	1	COVER, DUST	Option	
23		300217-00610	10	WASHER		



# No.7

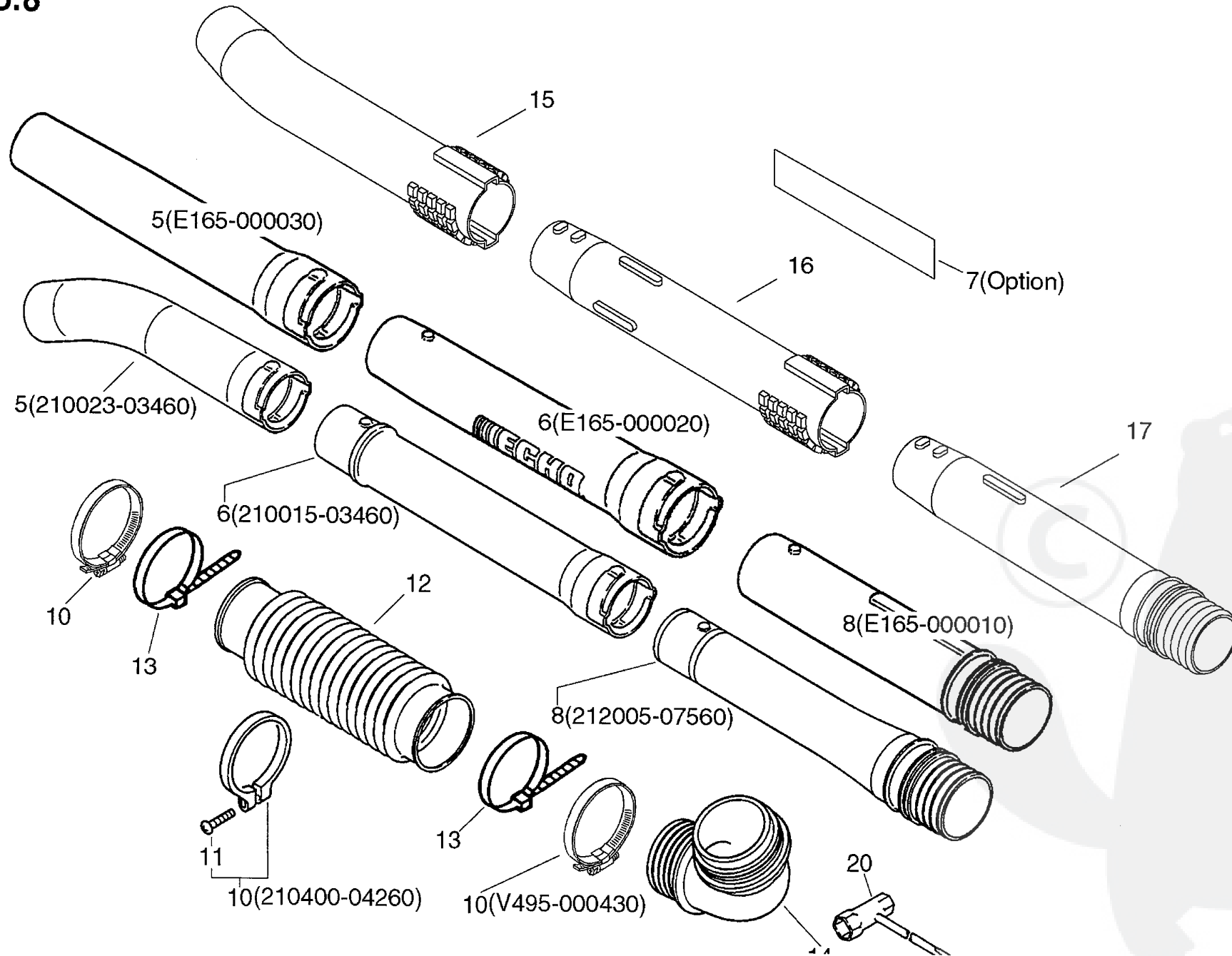


# P a r t s L i s t

Group:Power Blowers Model:PB-6000 Section:Harness(Sr/Nr 36001001and after) ( 7)

Key	Lv	Part Number	Q'ty	Description	Remarks	Note
1		C061-000110	2	HARNES,ASM BACKPACK		
2		V491-000040	2	CLIP		
4		900516-00005	4	NUT, FRANGE 5		
5		300105-08260	1	CUSHION, KNAPSACK	Sus. by 300105-08261	
5		300105-08261	1	CUSHION, KNAPSACK		
6		300333-06160	4	CLIP	Sus. by V491-000120	
6		V491-000120	4	CLIP		
8		300217-00610	10	WASHER		
9		300010-08362	1	FRAME, BACKPACK		
10		900253-05016	2	SCREW		
11		91145-05016	6	BOLT HS TAPPING		
15		C622-000030	1	CONNECTOR, FRAME		
16		V401-000100	2	CUSHION, 5		
17		C622-000020	1	CONNECTOR, FRAME		
18		900209-05014	2	SCREW, 5*14		
19		300614-08260	1	BRACKET, HANGER		
20		900209-05014	4	SCREW, 5*14		
21		A127-000080	1	COVER,DUST	Option	
25		91147-05020	2	BOLT HS FL TAPP		
26		900162-05020	4	BOLT, H.S. 5*20		
27		V150-001350	2	PLATE,EYE		
28		V456-000010	2	HOLDER, SPRING		
29		V450-000390	2	SPRING, COMPRESSION		
30		V263-000050	2	NUT, 5		
31		613019-07350	2	WASHER 5.5*16*2T		

# No.8

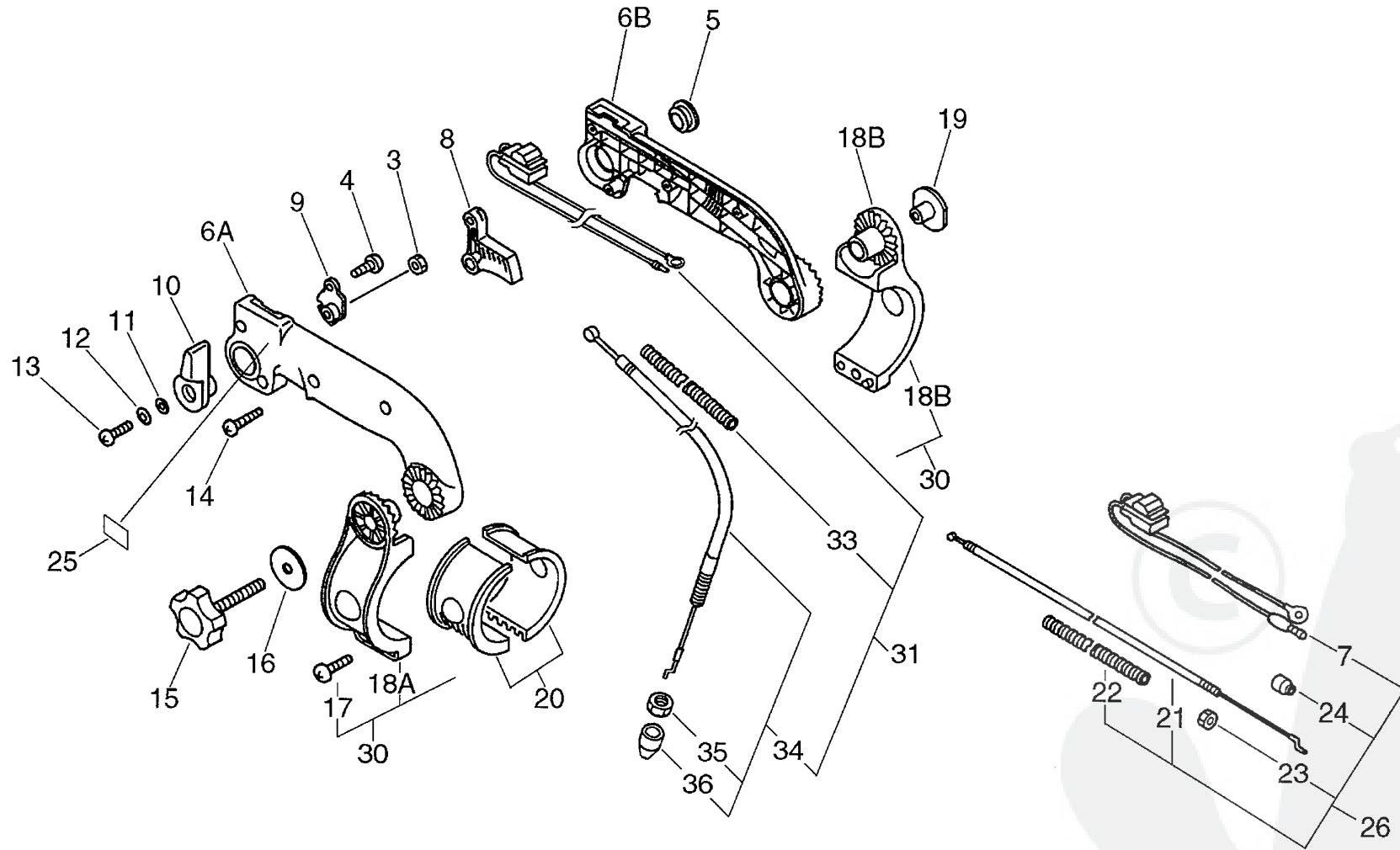


# P a r t s L i s t

Group:Power Blowers Model:PB-6000 Section:Pipe, Tool( 8)

Key	Lv	Part Number	Q'ty	Description	Remarks	Note
5		210023-03460	1	PIPE, CURVED (BL)	Sr/Nr 051700 and before	
5		E165-000030	1	PIPE,BLOWER	Sr/Nr 051701 to 062820	
6		210015-03460	1	PIPE, STRAIGHT (BL)	Sr/Nr 051700 and before	
6		E165-000020	1	PIPE,BLOWER	Sr/Nr 051701 to 062820	
7		890118-04261	2	LABEL, ECHO	OPTION	
8		212005-07560	1	PIPE, BLOWER	Sr/Nr 051700 and before	
8		E165-000010	1	PIPE, BLOWER	Sr/Nr 051701 to 062820	
10		210400-04260	2	CLAMP W/SCREW	Sus. by V495-000430	
10		V495-000430	2	BAND		
11 +		900235-05025	2	SCREW 5*25	Can be used on 210400-04260 only	
12		210013-08360	1	PIPE, FLEXIBLE		
13		178121-08360	1	CLIP	Sus. by 178121-09860	
13		178121-09860	2	CLIP		
14		210005-08260	1	PIPE, MAIN	Sus. by 210011-08260	
14		210011-08260	1	ELBOW, BLOWING		
15		E165-000160	1	PIPE,BLOWER	Sr/Nr 062821 and after	
16		E165-000140	1	PIPE,BLOWER	Sr/Nr 062821 and after	
17		E165-000130	1	PIPE,BLOWER	Sr/Nr 062821 and after	
20		895410-03930	1	WRENCH, W/S. DRIVER	Sus. by 895410-39130	
20		895410-39130	1	WRENCH, W/S. DRIVER	Sus. by 895410-39130	
20		895410-39130	1	WRENCH, W/S. DRIVER	Sus. by 895410-39131	
20		895410-39131	1	WRENCH, W/S. DRIVER		

# No. 9



# Parts List

Group:Power Blowers Model:PB-6000 Section:Throttle( 9)

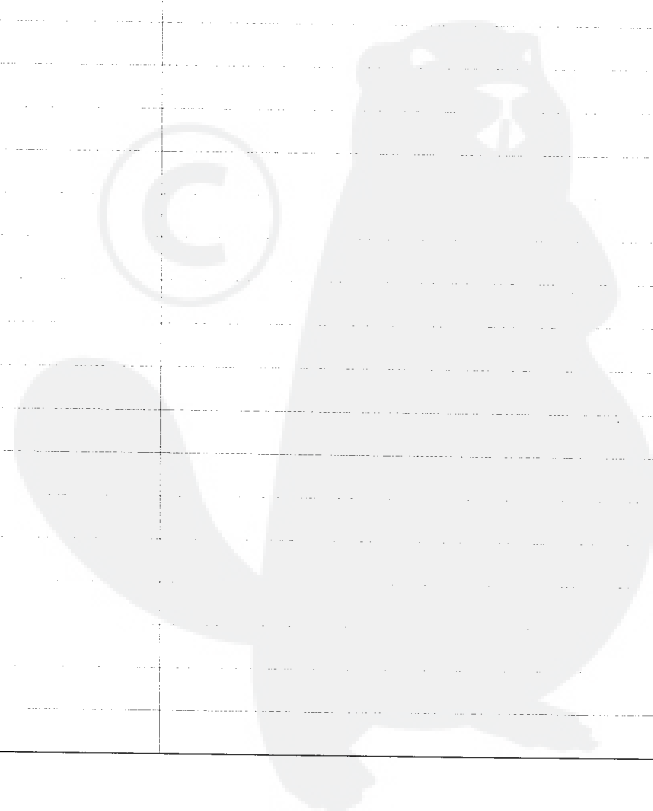
Key	Lv	Part Number	Q'ty	Description	Remarks	Note
3		900500-00006	1	NUT 6		
4		900245-04010	1	SCREW 4*10		
5		351146-07560	1	PLUG		
6A		351315-07560	1	HANDLE, FRONT		
6B		351311-07560	1	HANDLE, FRONT		
8		178010-07560	1	CONTROL, THROTTLE	Sus. by 178010-07561	
8		178010-07561	1	CONTROL, THROTTLE		
9		178123-07561	1	BRACKET, THROTTLE		
10		178054-07560	1	CONTRTOL, THROTTLE		
11		900603-00006	1	WASHER 6		
12		900605-00006	1	WASHER, SPRING 6		
13		900235-06020	1	SCREW 6*20		
14		900256-04022	4	SCREW 4*22		
15		305812-07560	1	KNOB, FASTENER	Sus. by 305812-08260	
15		305812-08260	1	KNOB, FASTENER		
16		178516-07560	1	WASHER 6		
17		900253-05020	1	SCREW 5*20		
18A		351011-07560	1	BRACKET, HANDLE	Sr/Nr 051700 and before	
18A		C405-000020	1	BRACKET,HANDLE	Sus. by 351011-07560	
18B		351028-07560	1	BRACKET, HANDLE	Sr/Nr 051700 and before	
18B		C405-000030	1	BRACKET,HANDLE	Sus. by 351028-07560	
30		351301-07560	1	BRACKET ASSY, HANDLE	Sr/Nr 062821 and before	
17 +		900253-05020	1	SCREW 5*20		
18A +		351011-07560	1	BRACKET, HANDLE	Sr/Nr 062820 and before	
18A		C405-000020	1	BRACKET, HANDLE	Sr/Nr 062821 and after	
18B +		351028-07560	1	BRACKET, HANDLE	Sr/Nr 062820 and before	
18B		C405-000030	1	BRACKET, HANDLE	Sr/Nr 062821 and after	
19		178021-08260	1	NUT, THROTTLE ROD		



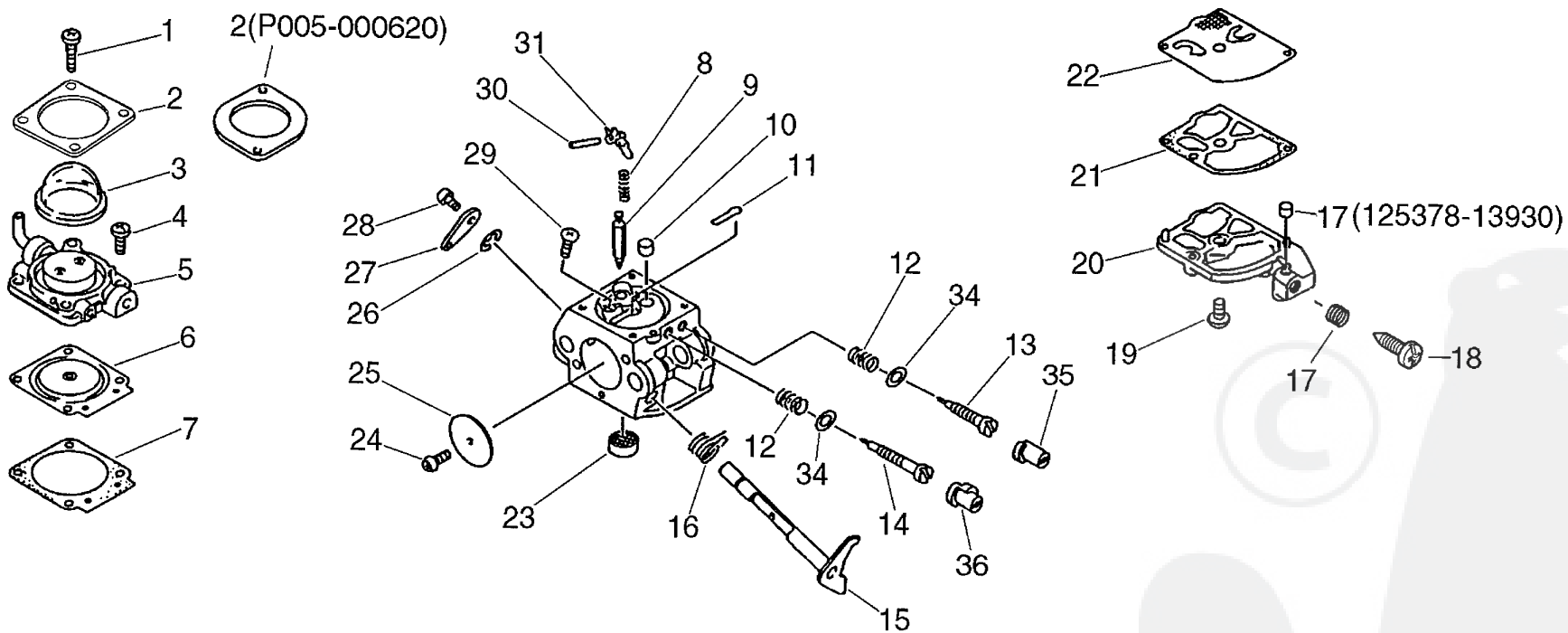
# P a r t s L i s t

Group:Power Blowers Model:PB-6000 Section:Throttle( 9)

Key	Lv	Part Number	Q'ty	Description	Remarks	Note
20		210019-07560	2	COLLAR	Sr/Nr 051700 and before	
20		210019-07560	2	COLLAR	Sr/Nr 54356 to 062820	
26		178100-08261	1	CONTROL, THR. W/WIRE	Sus. by V043-000021	
26		178100-08262	1	CABLE ASY, CONTROL	Sus. by V043-000021	
26		178100-08263	1	CABLE ASY, THROTTLE	Sus. by V043-000021	
7	+	163400-08261	1	SWITCH, IGNITION	Sus. by 163400-08262	
7	+	163400-08262	1	SWITCH, IGNITION	Can be used on 178100-08263	
21	+	178001-08260	1	WIRE, THROTTLE	Sus. by 178001-08360	
21	+	178001-08360	1	WIRE, THROTTLE	Can be used on 178100-08263	
23	++	900500-00006	1	NUT 6		
24	++	178082-08260	1	CAP		
22	+	178127-47530	1	TUBE	Can be used on 178100-08263	
25		890157-06560	1	LABEL, SWITCH		
31		V043-000021	1	CABLE,ASM CONTROL	Sr/Nr 36001001 and after	
33	+	V475-003210	1	TUBE	Sr/Nr 36001001 and after	
34	+	V430-001240	1	CABLE,BOWDEN	Sr/Nr 36001001 and after	
35	++	900500-00006	1	NUT 6	Sr/Nr 36001001 and after	
36	++	178082-08260	1	CAP	Sr/Nr 36001001 and after	



# No.10



# Parts List

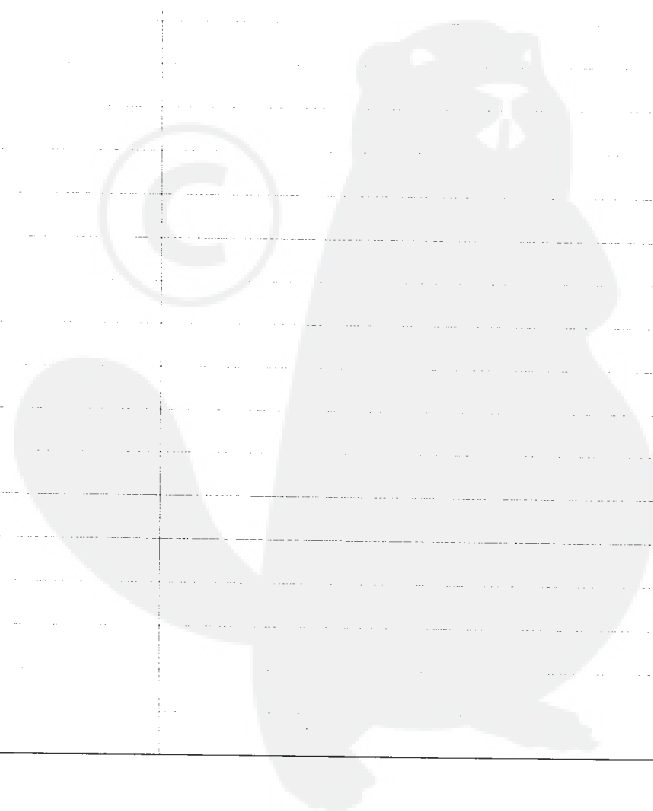
Group:Power Blowers Model:PB-6000 Section:Carburetor( 10)

Key	Lv	Part Number	Q'ty	Description	Remarks	Note
		125200-08361	1	CARBURETOR ASSY	Sus. by 125200-08665	
		125200-08661	1	CARBURETOR ASSY	Sus. by 125200-08665	
		125200-08662	1	CARBURETOR	Sus. by 125200-08665	
		125200-08663	1	CARBURETOR	Sus. by 125200-08665	
		125200-08664	1	CARBURETOR	Sus. by 125200-08665	
		125200-08665	1	CARBURETOR	Sus. by 125200-08665	
1	+	125344-05360	2	SCREW	Can be used on the 125200-08560, -08561, -08562, -08563	
1	+	125344-05360	4	SCREW	Can be used on the 125200-08564, -08565	
1	+	P005-000980	4	SCREW	Can be used on the 125200-08564, -08565	
2	+	125363-08560	1	RING	Can be used on the 125200-08560, -08561, -08562, -08563	
2	+	P005-000620	1	RETAINER	Can be used on the 125200-08564 only	
3	+	125381-46730	1	PUMP, PRIMING	Sus. by 125381-08660	
3	+	125381-08660	1	PUMP, PRIMING		
4	+	125310-05360	2	SCREW	Can be used on the 125200-08560, -08561, -08562, -08563	
5	+	125383-08360	1	BASE, PRIMER	Can be used on the 125200-08560, -08561, -08562, -08563	
5	+	P005-000610	1	BASE, PRIMER	Can be used on the 125200-08564 only	
6	+	125341-08360	1	DIAPHRAGM		
7	+	125340-34530	1	GASKET, DIAPHRAGM		
8	+	125322-13930	1	SPRING, COIL		
9	+	125337-08260	1	VALVE, INLET NEEDLE		
10	+	125376-51030	1	NOZZLE, CHECK VALVE	Can be used on the 125200-08361 only	
10	+	125376-08660	1	NOZZLE, CHECK VALVE	Can be used on the 125200-08661, -08662, -08663, -08664	
11	+	125345-08360	1	PLUG, WELCH		
12	+	125319-42030	2	SPRING, COIL	Sr/Nr 051652 and before	
13	+	125320-08260	1	NEEDLE, HIGH SPEED	Sr/Nr 051652 and before	
13	+	P005-000470	1	SCREW, MAIN MIXTURE	Sr/Nr 051653 and after	
14	+	125318-08260	1	NEEDLE, IDLE	Sr/Nr 051652 and before	
14	+	P005-000460	1	SCREW, IDLE MIXTURE	Sr/Nr 051653 and after	

# Parts List

Group:Power Blowers Model:PB-6000 Section:Carburetor( 10)

Key	Lv	Part Number	Q'ty	Description	Remarks	Note
15	+	125317-08360	1	SHAFT, THROTTLE		
16	+	125313-08360	1	SPRING, THRT. RETURN		
17	+	125378-13930	1	PIECE, FRICTION	Sr/Nr 046650 and after	
17	+	125333-08560	1	SPRING, ADJUST SCREW	Sr/Nr 046651 and after	
18	+	125334-13930	1	SCREW, IDLE ADJUST	Sr/Nr 046650 and after	
18	+	125344-08560	1	SCREW, IDLE ADJUST	Sr/Nr 046651 and after	
19	+	125310-13930	1	SCREW		
20	+	125324-08360	1	COVER, PUMP	Sus. by P005-000610	
20	+	P005-000610	1	BASE, PRIMER		
21	+	125325-08360	1	GASKET, PUMP		
22	+	125312-08360	1	DIAPHRAGM, FUEL PUMP		
23	+	125326-08360	1	STRAINER		
24	+	125314-13930	1	SCREW		
25	+	125316-13930	1	VALVE, THROTTLE		
26	+	125327-13930	1	CLIP		
27	+	125350-08360	1	LEVER, THROTTLE		
28	+	125348-13930	1	SCREW		
29	+	125339-13930	1	SCREW		
30	+	125338-13930	1	PIN, METERING ARM		
31	+	125323-08260	1	ARM, VALVE		
34	+	125353-20560	2	WASHER	Sr/Nr 051652 and before	
35		125329-39030	1	LIMITER, MIXTURE	Sr/Nr 36001001 and after	
36		125329-09860	1	LIMITER, MIXTURE	Sr/Nr 36001001 and after	



# P a r t s L i s t

Group:Power Blowers Model:PB-6000 Section:Repair Kit( 11)

Key	Lv	Part Number	Q'ty	Description	Remarks	Note
		125303-08360	1	GASKET/DIAPHRAGM KIT		
9-6	+	125341-08360	1	DIAPHRAGM		
9-7	+	125340-34530	1	GASKET, DIAPHRAGM		
9-21	+	125325-08360	1	GASKET, PUMP		
9-22	+	125312-08360	1	DIAPHRAGM, FUEL PUMP		
		125300-08360	1	REBUILD KIT		
9-6	+	125341-08360	1	DIAPHRAGM		
9-7	+	125340-34530	1	GASKET, DIAPHRAGM		
9-8	+	125322-13930	1	SPRING, COIL		
9-9	+	125337-08260	1	VALVE, INLET NEEDLE		
9-11	+	125345-08360	1	PLUG, WELCH		
9-21	+	125325-08360	1	GASKET, PIMP		
9-22	+	125312-08360	1	DIAPHRAGM, FUEL PUMP		
9-23	+	125326-08360	1	STRAINER		
9-30	+	125338-13930	1	PIN, METERING ARM		
9-31	+	125323-08260	1	ARM, VALVE		

