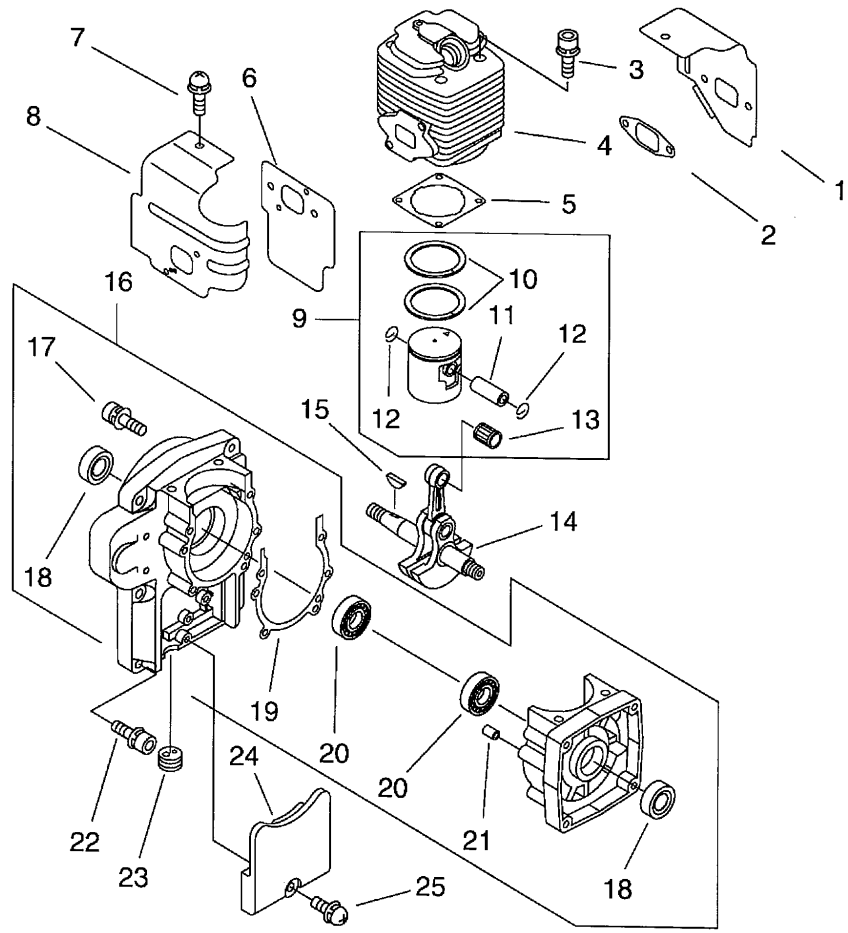


Group: Power Blowers Model: PB-620 (36) Section: Cylinder, Crankcase, Piston (Sr/Nr 36004850 and before) ( 1)



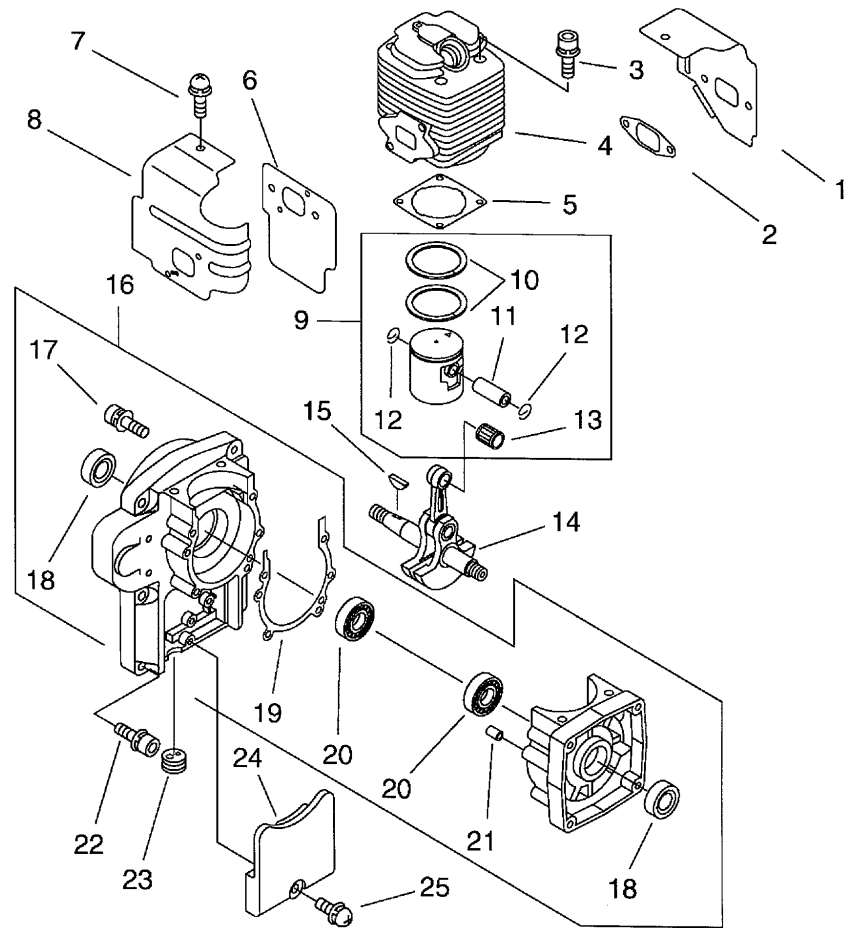
**Parts List**

Date:19-8-2011 Page: 1

Group:Power Blowers Model:PB-620(36) Section:Cylinder, Crankcase, Piston(Sr/Nr 36004850 and before) ( 1)

Key	Lv	Part Number	Q'ty	Description	Remarks	Note
1		A160-000450	1	COVER,CYLINDER		
2		145510-06211	1	GASKET, MUFFLER		
3		900162-05022	4	BOLT, H.S. 5*22		
4		A130-000570	1	CYLINDER		
5		101010-06211	1	GASKET, CYL. BASE		
6		130016-06211	1	GASKET, INTAKE		
7		900238-05010	1	SCREW 5*10		
8		101514-08260	1	COVER, CYLINDER		
9		P021-007450	1	PISTON KIT		
10	+	100011-08360	2	RING, PISTON		
11	+	100013-06210	1	PIN, PISTON		
12	+	100015-00120	2	CIRCLIP, PISTON PIN		
13	+	100012-12331	1	BEARING, NEEDLE		
14		A011-000340	1	CRANKSHAFT,ASM		
15		900323-03014	1	KEY WOODRUFF		
16		100204-08261	1	CRANKCASE KIT		
17	+	900162-05040	4	BOLT, H.S. 5*40		
18	+	100213-00310	2	OILSEAL		
19	+	100242-10721	1	GASKET, CRANKCASE		
20	+	900810-36202	2	BEARING, BALL 6202	Sus. by 94036-46202	
21	+	100215-03930	2	PIN, DOWEL		
22		900162-05032	6	BOLT, H.S. 5*32		
23		151112-04630	1	BUSHING		
24		159129-08260	1	COVER, DUST		
25		900238-05018	1	SCREW 5*18		

Group: Power Blowers Model: PB-620 (36) Section: Cylinder, Crankcase, Piston (Sr/Nr 36004851 and after) ( 2)



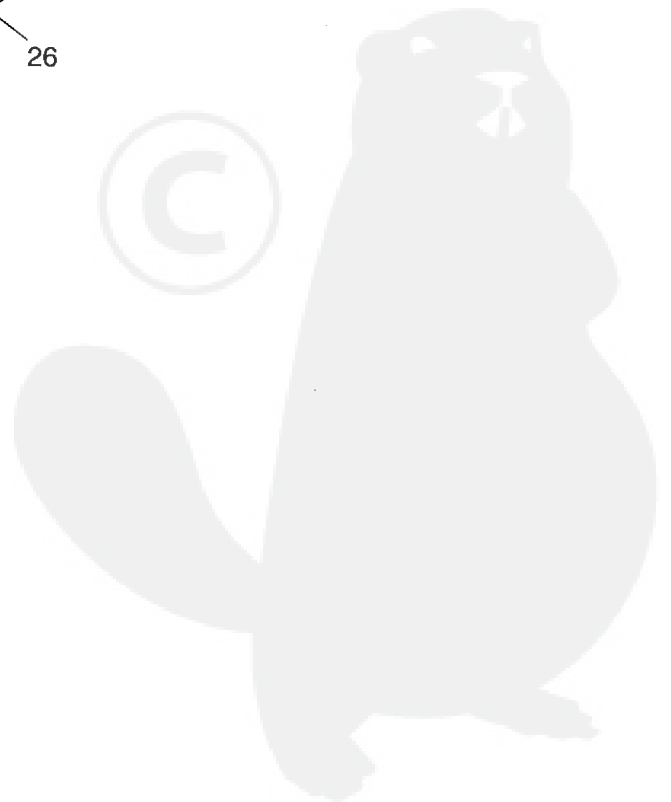
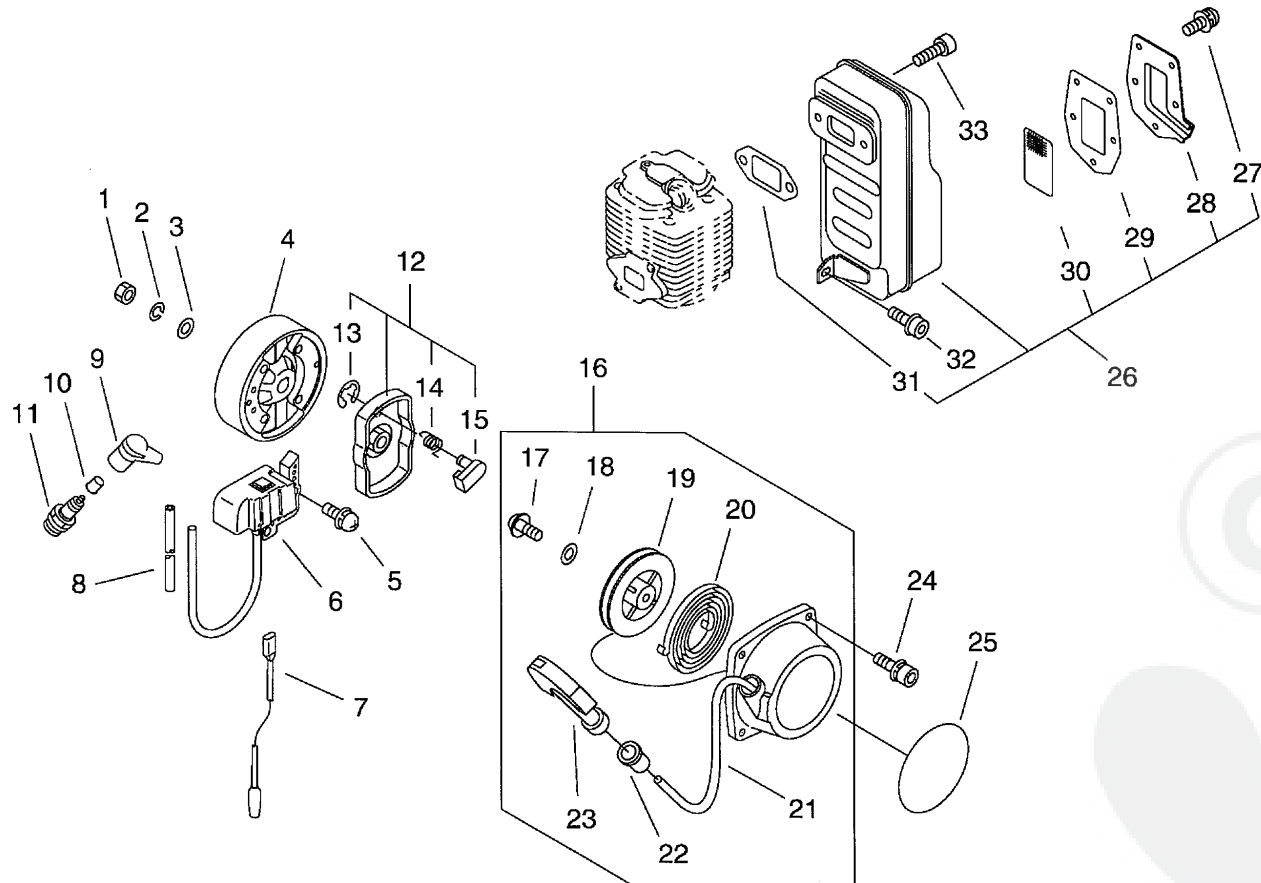
**Parts List**

Date:19-8-2011 Page: 1

Group:Power Blowers Model:PB-620(36) Section:Cylinder, Crankcase, Piston(Sr/Nr 36004851 and after) ( 2)

Key	Lv	Part Number	Q'ty	Description	Remarks	Note
1		A160-000450	1	COVER,CYLINDER		
2		145510-06211	1	GASKET, MUFFLER		
3		900162-05022	4	BOLT, H.S. 5*22		
4		A130-000570	1	CYLINDER		
5		101010-06211	1	GASKET, CYL. BASE		
6		130016-06211	1	GASKET, INTAKE		
7		900238-05010	1	SCREW 5*10		
8		101514-08260	1	COVER, CYLINDER		
9		P021-007450	1	PISTON KIT		
10	+	100011-08360	2	RING, PISTON		
11	+	100013-06210	1	PIN, PISTON		
12	+	100015-00120	2	CIRCLIP, PISTON PIN		
13	+	100012-12331	1	BEARING, NEEDLE		
14		A011-000340	1	CRANKSHAFT,ASM		
15		900323-03014	1	KEY WOODRUFF		
16		100204-08261	1	CRANKCASE KIT		
17	+	900162-05040	4	BOLT, H.S. 5*40		
18	+	100213-00310	2	OILSEAL		
19	+	100242-10721	1	GASKET, CRANKCASE		
20	+	900810-36202	2	BEARING, BALL 6202	Sus. by 94036-46202	
20	+	94036-46202	2	BEARING BALL		
21	+	100215-03930	2	PIN, DOWEL		
22		900162-05032	6	BOLT, H.S. 5*32		
23		151112-04630	1	BUSHING		
24		159129-08260	1	COVER, DUST		
25		900238-05018	1	SCREW 5*18		

Group: Power Blowers Model: PB-620(36) Section: Starter, Magneto, Muffler (Sr/Nr 36004850 and before) ( 3)



## Parts List

Date:19-8-2011 Page: 1

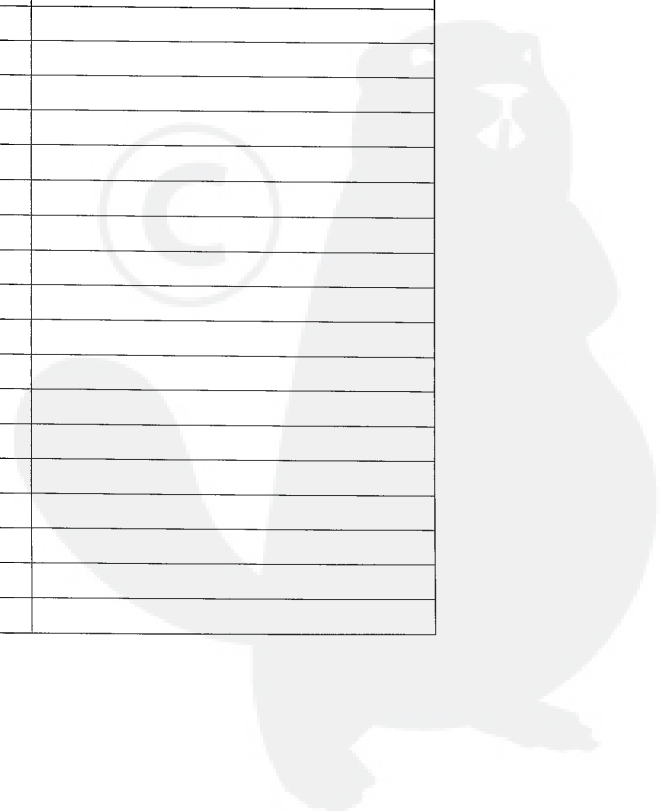
Group:Power Blowers Model:PB-620(36) Section:Starter, Magneto, Muffler(Sr/Nr 36004850 and before) ( 3)

Key	Lv	Part Number	Q'ty	Description	Remarks	Note
1		900501-00010	1	NUT 10*1.25		
2		900605-00010	1	WASHER, SPRING 10		
3		900602-00010	1	WASHER 10(10.5*21*2)		
4		156800-06161	1	ROTOR, MAGNETO		
5		900238-05018	2	SCREW 5*18		
6		156601-09861	1	C.D.I. MODULE W/LEAD		
7		V485-000190	1	LEAD		
8		156111-06160	1	TUBE 6.3*8*380		
9		159012-10230	1	CAP, SPARK PLUG		
10		159016-05330	1	ADAPTER, PLUG CAP		
11		159010-10230	1	PLUG, SPARK (BPMR-7A		
12		A052-000042	1	PULLEY,ASM STARTER		
13	+	P022-002100	2	E-RING		
14	+	P022-003130	2	SPRING, RETURN		
15	+	P022-003120	2	PAWL, STARTER		
16		A051-000930	1	STARTER,RECOIL		
17	+	177236-06910	1	SCREW		
18	+	177214-40630	1	WASHER		
19	+	P022-005910	1	DRUM, STARTER		
20	+	P022-004680	1	SPRING, SPIRAL		
21	+	P022-010580	1	ROPE, STARTER		
22	+	177227-42030	1	GUIDE, ROPE		
23	+	177228-01110	1	GRIP, STARTER		
24		900163-04018	4	BOLT HSH		
25		890118-17930	1	LABEL, ECHO	Sus. by X502-000460	
26		P021-001833	1	MUFFLER ASY		
27	+	900238-04010	5	SCREW 4*10		
28	+	A313-000240	1	GUIDE,EXH		

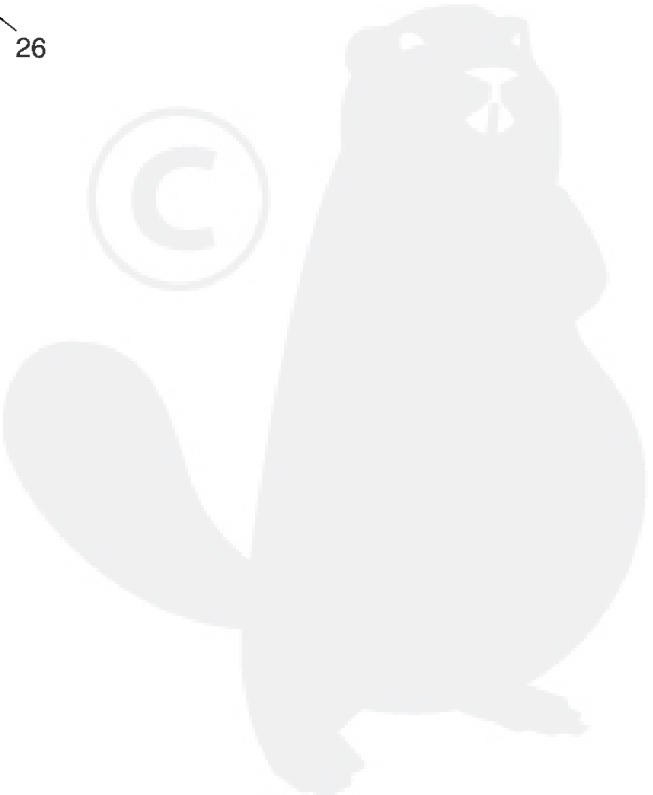
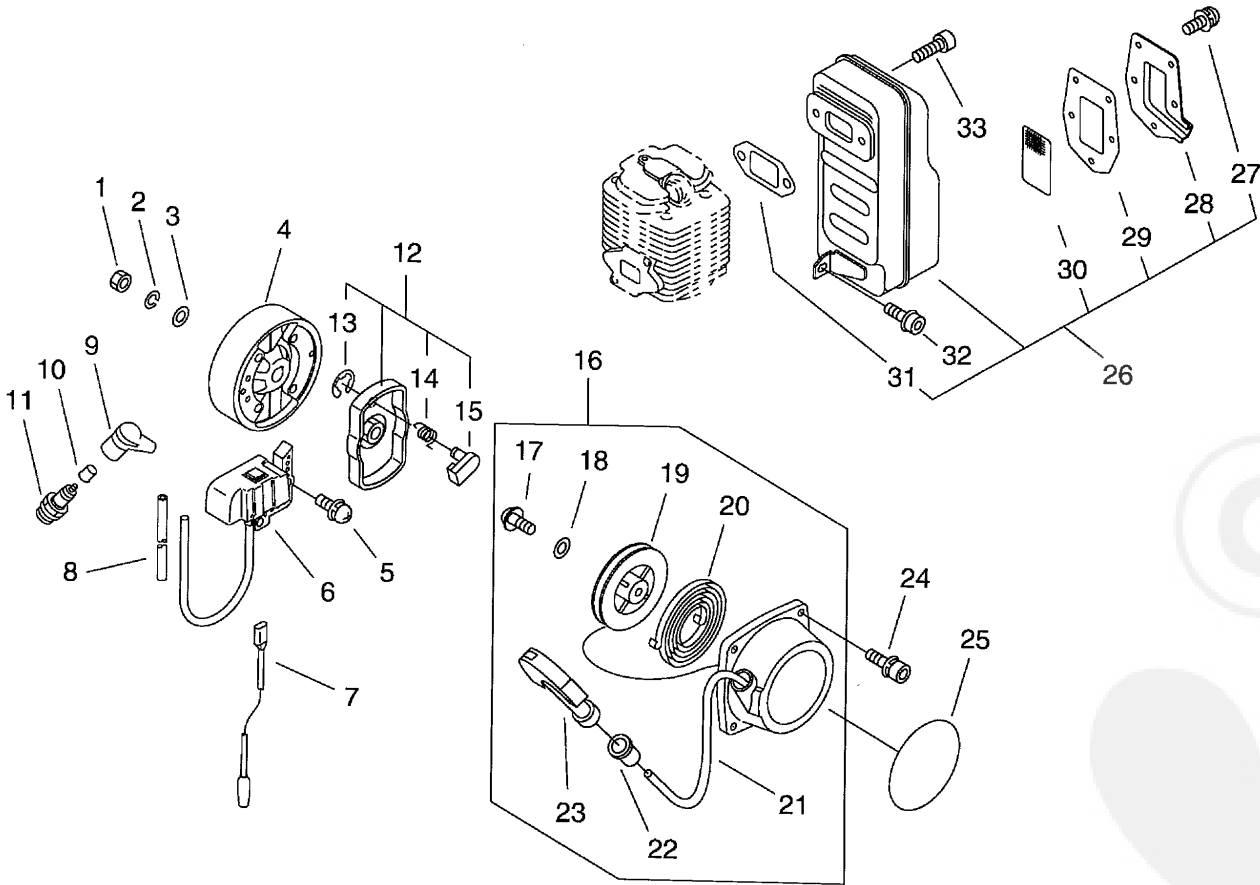
**P a r t s L i s t**

Group:Power Blowers Model:PB-620 (36) Section:Starter, Magneto, Muffler (Sr/Nr 36004850 and before) ( 3)

Key	Lv	Part Number	Q'ty	Description	Remarks	Note
29	+	145866-04261	1	GASKET		
30	+	145862-06720	1	SCREEN, MUFFLER		
31	+	145510-06211	1	GASKET, MUFFLER		
32		900106-05020	1	BOLT, H.S. 5*20		
33		900105-06020	2	BOLT, H.S. 6*20		



Group: Power Blowers Model: PB-620(36) Section: Starter, Magneto, Muffler(Sr/Nr 36004851 and after) ( 4)





## P a r t s L i s t

Date:19-8-2011 Page: 1

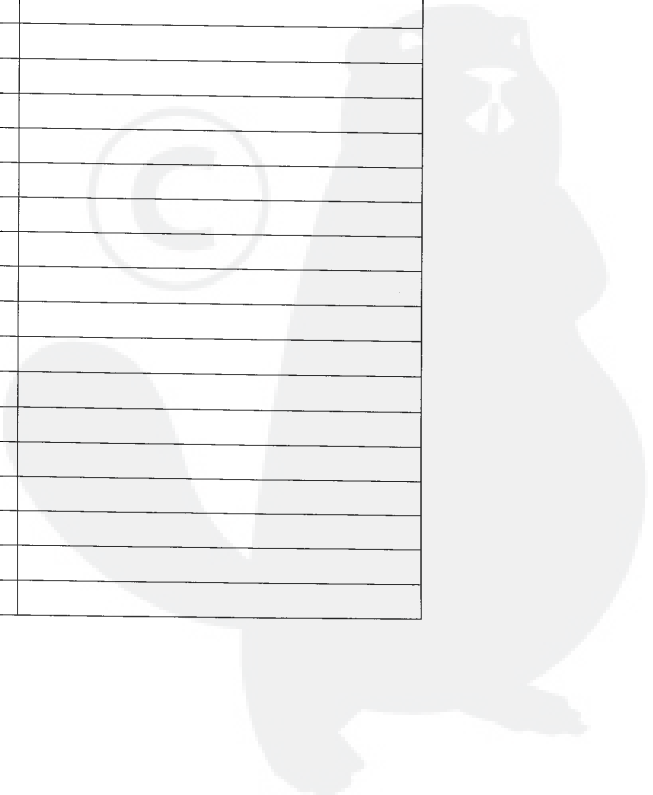
Group:Power Blowers Model:PB-620(36) Section:Starter, Magneto, Muffler(Sr/Nr 36004851 and after) ( 4)

Key	Lv	Part Number	Q'ty	Description	Remarks	Note
1		900501-00010	1	NUT 10*1.25		
2		900605-00010	1	WASHER, SPRING 10		
3		900602-00010	1	WASHER 10(10.5*21*2)		
4		156800-06161	1	ROTOR, MAGNETO		
5		900238-05018	2	SCREW 5*18		
6		156601-09861	1	C.D.I. MODULE W/LEAD		
7		V485-000190	1	LEAD		
8		156111-06160	1	TUBE 6.3*8*380		
9		159012-10230	1	CAP, SPARK PLUG		
10		159016-05330	1	ADAPTER, PLUG CAP		
11		159010-10230	1	PLUG, SPARK (BPMR-7A		
12		A052-000042	1	PULLEY,ASM STARTER		
13	+	P022-002100	2	E-RING		
14	+	P022-003130	2	SPRING, RETURN		
15	+	P022-003120	2	PAWL, STARTER		
16		A051-000930	1	STARTER, RECOIL		
17	+	177236-06910	1	SCREW		
18	+	177214-40630	1	WASHER		
19	+	P022-005910	1	DRUM, STARTER		
20	+	P022-004680	1	SPRING, SPIRAL		
21	+	P022-010580	1	ROPE, STARTER		
22	+	177227-42030	1	GUIDE, ROPE		
23	+	177228-01110	1	GRIP, STARTER		
24		900163-04018	4	BOLT HSH		
25		890118-17930	1	LABEL, ECHO	Sus. by X502-000460	
25		X502-000460	1	LABEL, ECHO		
26		P021-001833	1	MUFFLER ASY		
27	+	900238-04010	5	SCREW 4*10		

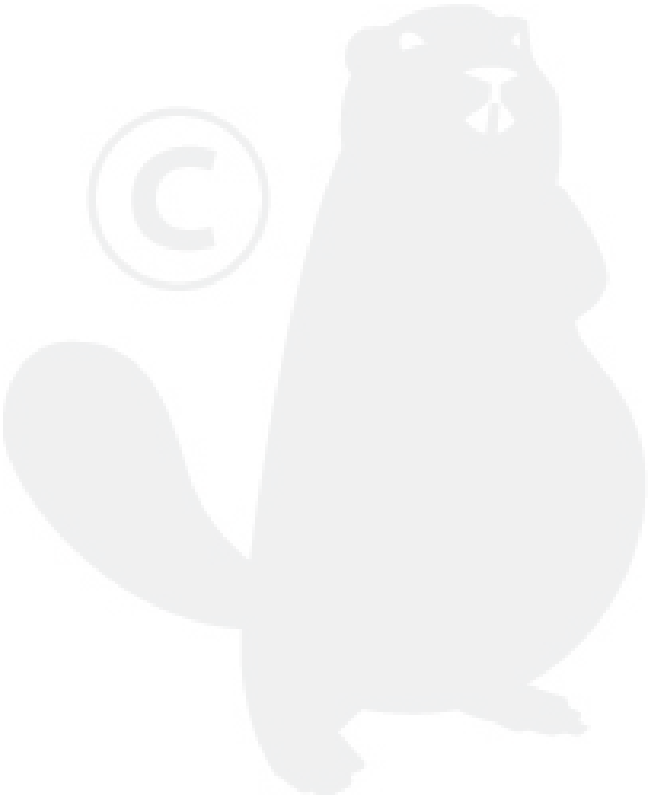
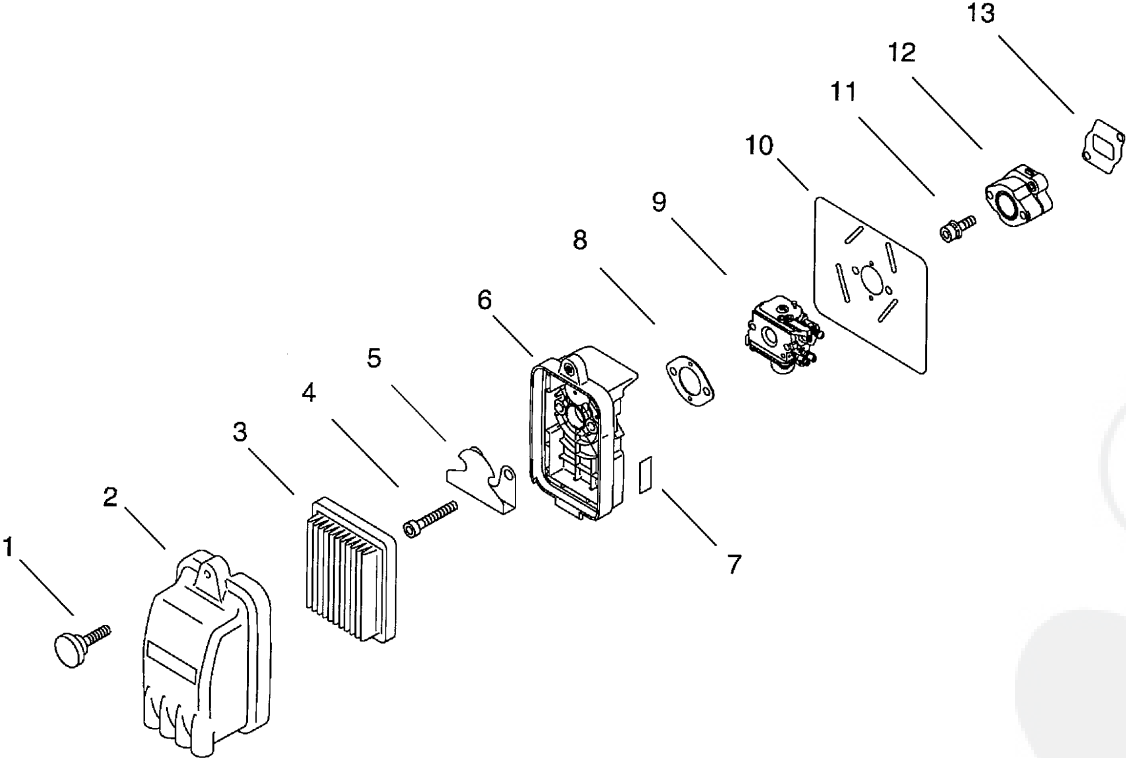
Parts List

Group:Power Blowers Model:PB-620(36) Section:Starter, Magneto, Muffler(Sr/Nr 36004851 and after) ( 4)

Key	Lv	Part Number	Q'ty	Description	Remarks	Note
28	+	A313-000240	1	GUIDE, EXH		
29	+	145866-04261	1	GASKET		
30	+	145862-06720	1	SCREEN, MUFFLER		
31	+	145510-06211	1	GASKET, MUFFLER		
32		900106-05020	1	BOLT, H.S. 5*20		
33		900105-06020	2	BOLT, H.S. 6*20		



Group: Power Blowers Model: PB-620 (36) Section: Air Cleaner (Sr/Nr 36006202 and befor) ( 5)



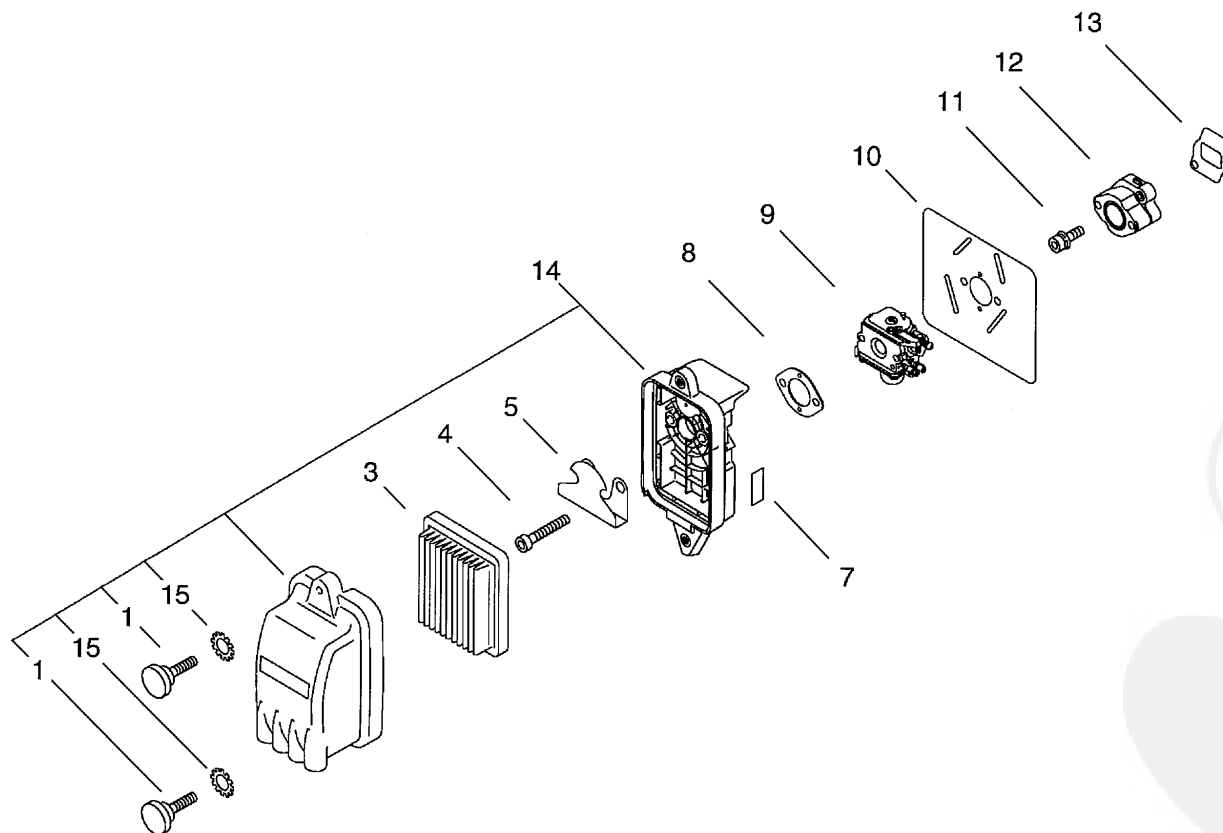
Parts List

Group:Power Blowers Model:PB-620(36) Section:Air Cleaner(Sr/Nr 36006202 and befor)( 5)

Key	Lv	Part Number	Q'ty	Description	Remarks	Note
1		V299-000290	1	KNOB, FASTENER	Qty 1-> 2	
2		A232-000080	1	LID, CLEANER	Sr/Nr 36002602 and before, Sus. by P021-014431	
3		A226-000032	1	ELEMENT, AIR FILTER		
4		900105-05060	2	BOLT, H.S. 5*60		
5		A244-000020	1	PLATE, PREVENT		
6		P021-002521	1	CLEANER CASE ASY	Sr/Nr 36002602 and before, Sus. by P021-014431	
7		890158-08261	1	LABEL, CHOKE		
8		130016-03731	1	GASKET, CARBURETOR		
9		A021-000770	1	CARBURETOR, DIAPHRAGM		
10		130010-21262	1	GASKET, INTAKE		
11		900162-05025	2	BOLT, H.S. 5*25		
12		130007-08261	1	INSULATOR		
13		V103-000000	1	GASKET, INTAKE		



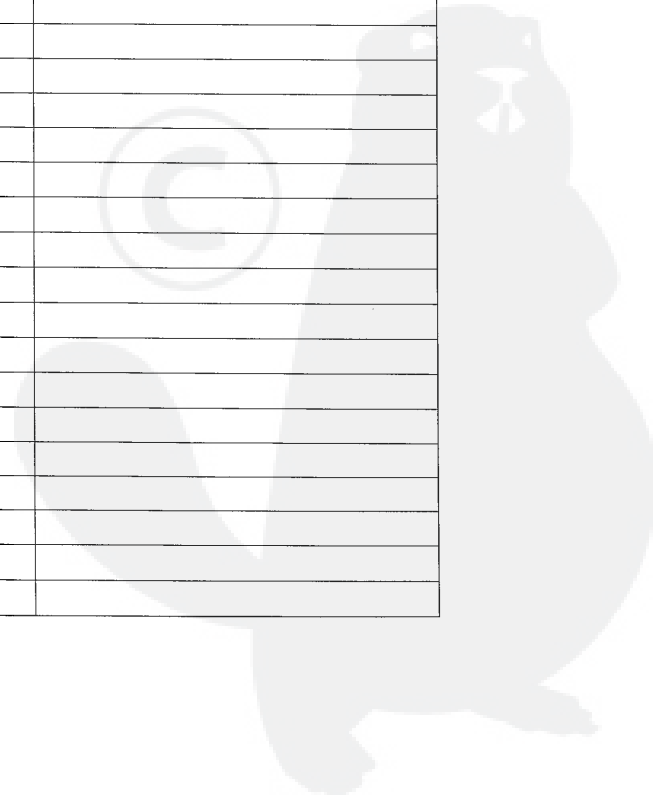
Group: Power Blowers Model: PB-620 (36) Section: Air Cleaner (Sr/Nr 36006203 and after) ( 6)



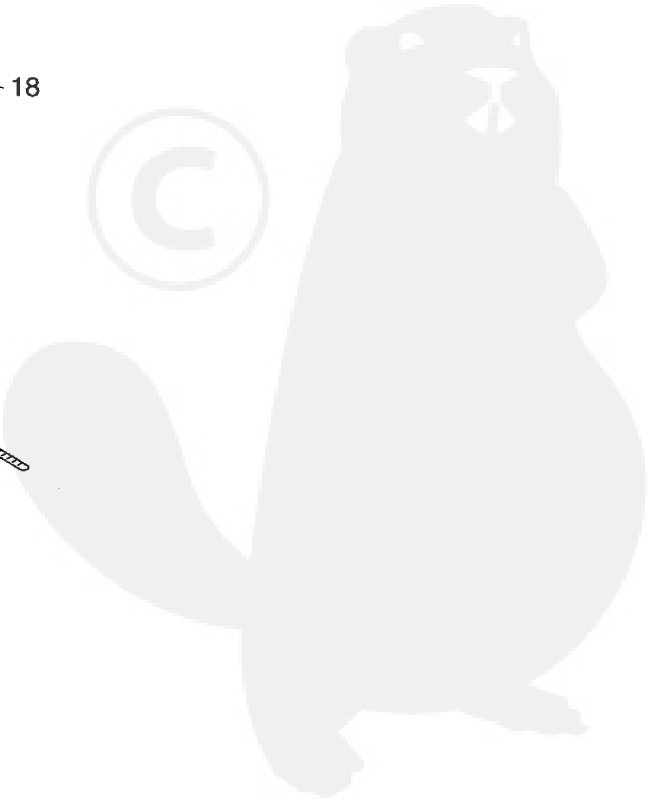
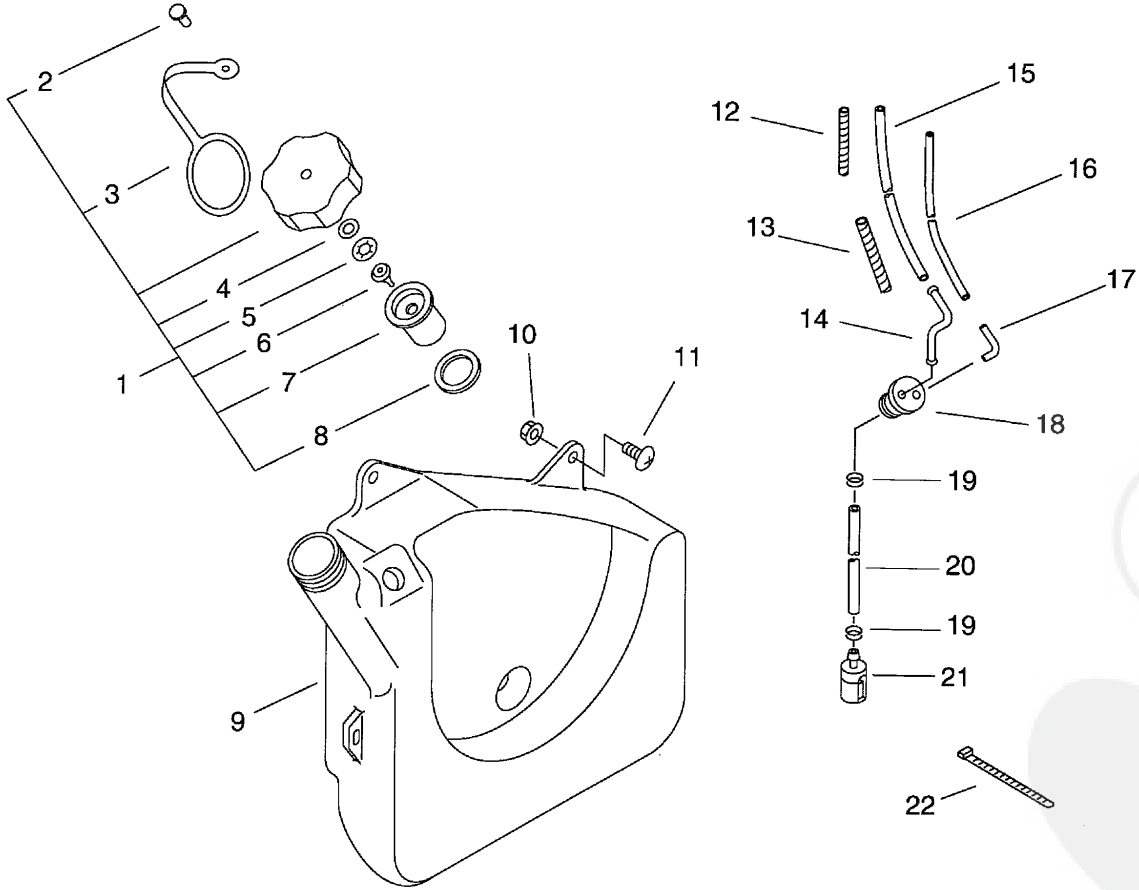
**P a r t s L i s t**

Group:Power Blowers Model:PB-620(36) Section:Air Cleaner(Sr/Nr 36006203 and after) ( 6)

Key	Lv	Part Number	Q'ty	Description	Remarks	Note
3		A226-000032	1	ELEMENT,AIR FILTER		
4		900105-05060	2	BOLT, H.S. 5*60		
5		A244-000020	1	PLATE,PREVENT		
7		890158-08261	1	LABEL, CHOKE		
8		130016-03731	1	GASKET, CARBURETOR		
9		A021-000771	1	CARBURETOR,DIAPHRAGM		
10		130010-21262	1	GASKET, INTAKE		
11		900162-05025	2	BOLT, H.S. 5*25		
12		130007-08261	1	INSULATOR		
13		V103-000000	1	GASKET,INTAKE		
14		P021-014431	1	CLEANER KIT, AIR	Sr/Nr 36006203 and after	
1 +		V299-000290	2	KNOB,FASTENER		
15 +		V340-000210	2	WASHER		



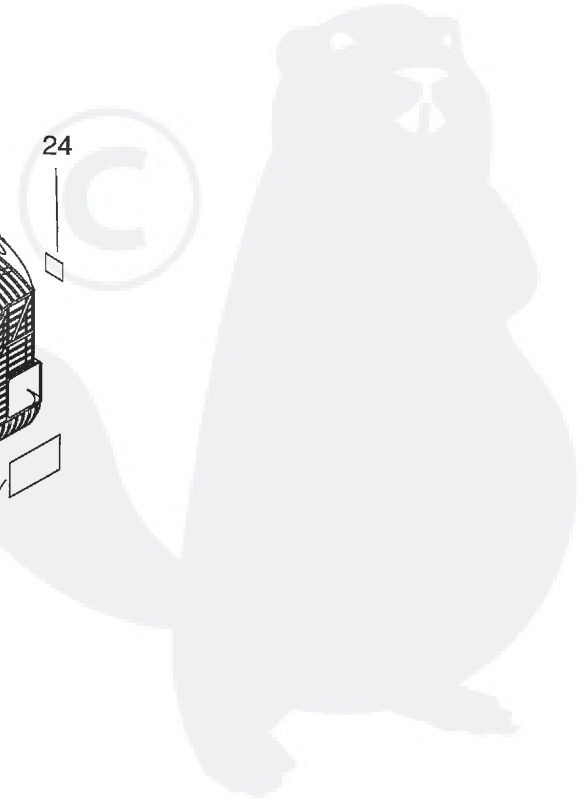
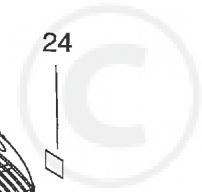
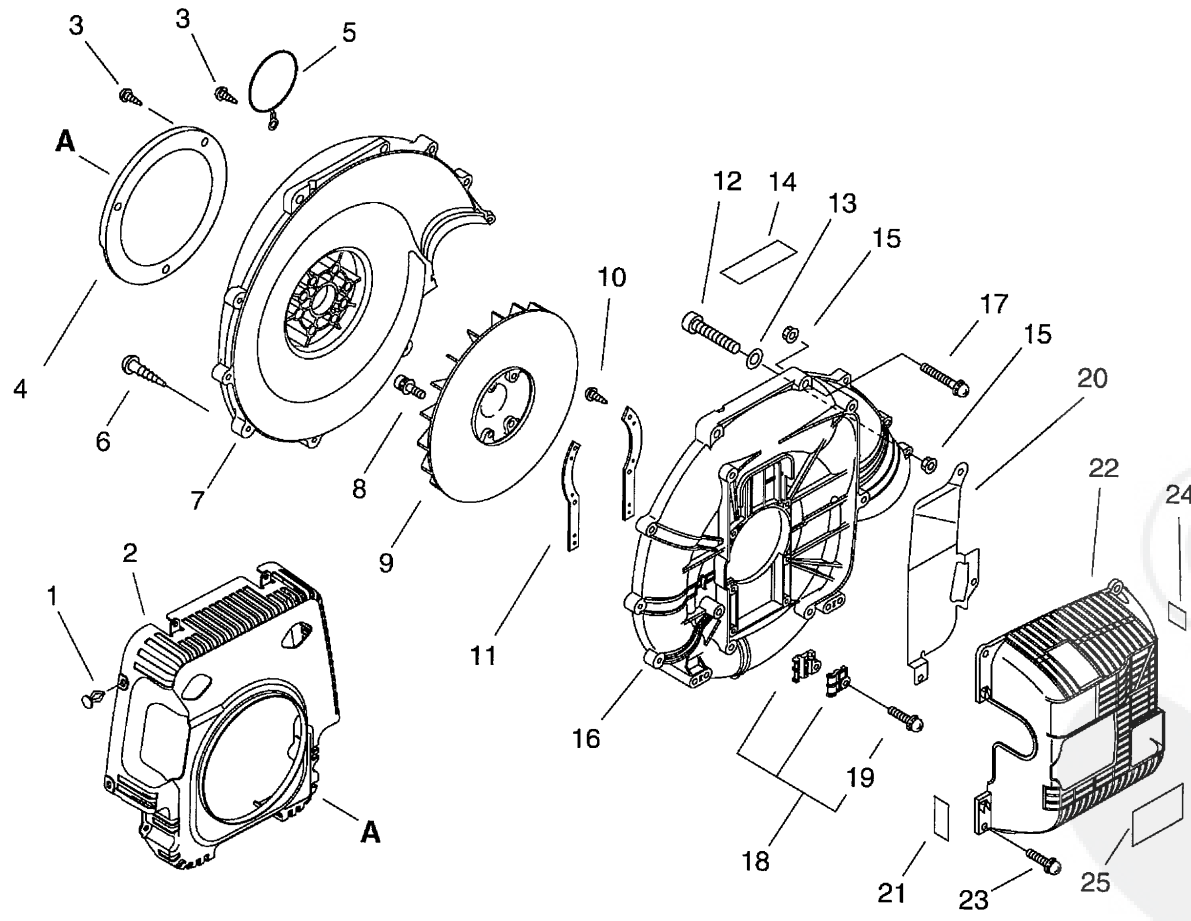
Group: Power Blowers Model: PB-620 (36) Section: Fuel Tank ( 7)







Group: Power Blowers Model: PB-620 (36) Section: Fan Case (Sr/Nr 36004850 and before) ( 8)



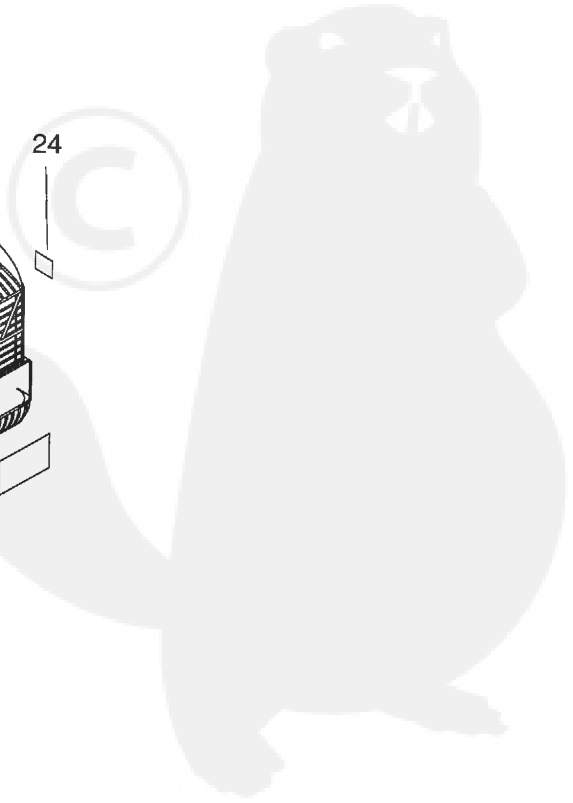
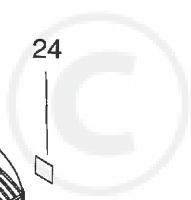
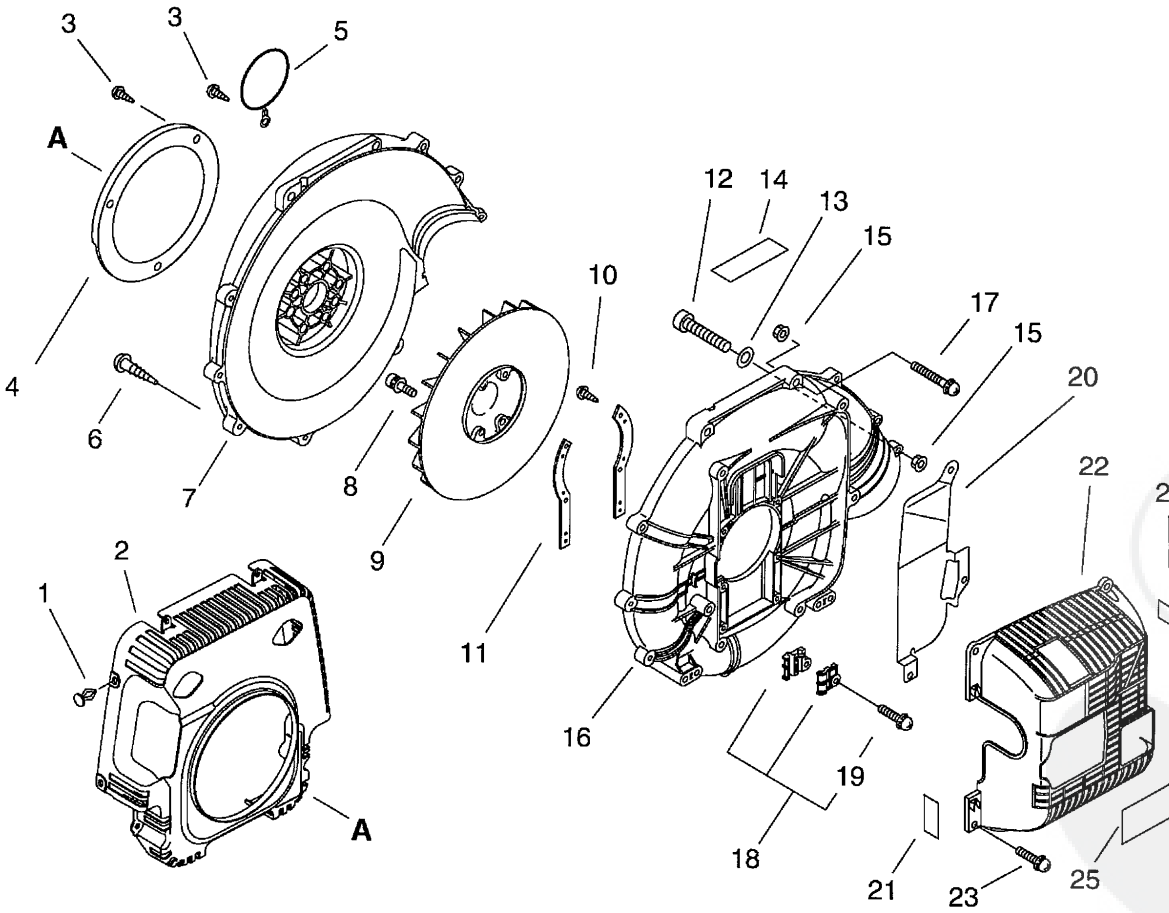
**Parts List**

Date:19-8-2011 Page: 1

Group:Power Blowers Model:PB-620(36) Section:Fan Case(Sr/Nr 36004850 and before) ( 8)

Key	Lv	Part Number	Q'ty	Description	Remarks	Note
1		V491-000120	8	CLIP		
2		E104-000061	1	GRID, BLOWER		
3		900253-05016	4	SCREW		
4		A161-000070	1	DUCT, AIR	Sus. by A161-000071	
5		C617-000230	1	STOPPER		
6		900253-05030	7	SCREW 5*30		
7		200111-08265	1	CASE, FAN		
8		900162-05020	4	BOLT, H.S. 5*20		
9		200005-08261	1	FAN		
10		900246-03012	4	SCREW 3*12		
11		104913-08360	2	BRACKET, ENGINE		
12		900105-05060	2	BOLT, H.S. 5*60		
13		900600-00005	2	WASHER 5		
14		890160-09461	1	LABEL, CAUTION		
15		900516-00005	4	NUT, FRANGE 5		
16		E103-000103	1	CASE, FAN		
17		900238-05040	2	SCREW 5*40		
18		178101-08260	1	HOLDER KIT, CABLE		
19	+	900238-05025	1	SCREW 5*25		
20		A322-000000	1	INSULATOR, MUFFLER	Sus. by A322-000060	
21		890560-90660	1	LABEL, PRIMING		
22		A190-000102	1	COVER, ENGINE		
23		900238-05018	5	SCREW 5*18		
24		890160-06361	1	LABEL, CAUTION	Sus. by X505-002310	
25		X503-007370	1	LABEL, MODEL	Sus. by X503-007371	

Group: Power Blowers Model: PB-620 (36) Section: Fan Case (Sr/Nr 36004851 and after) ( 9)



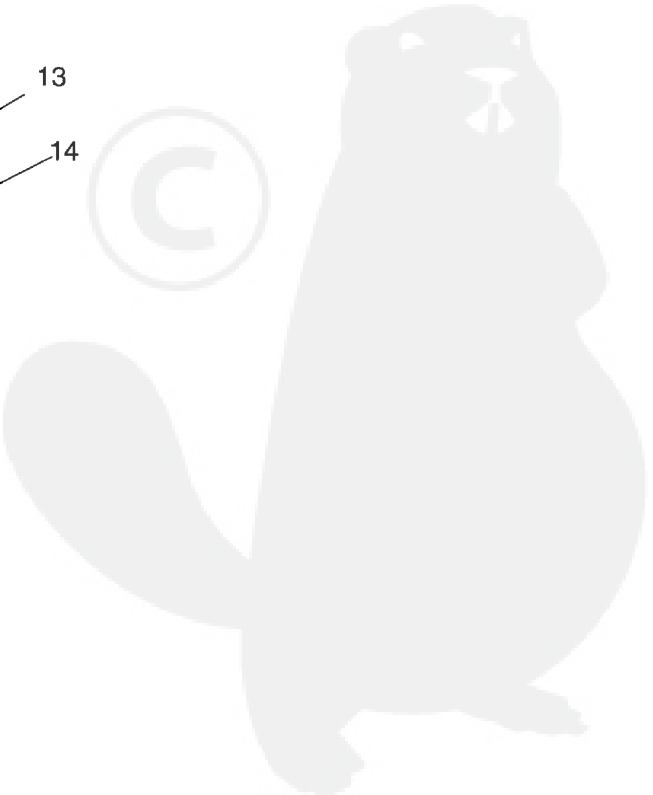
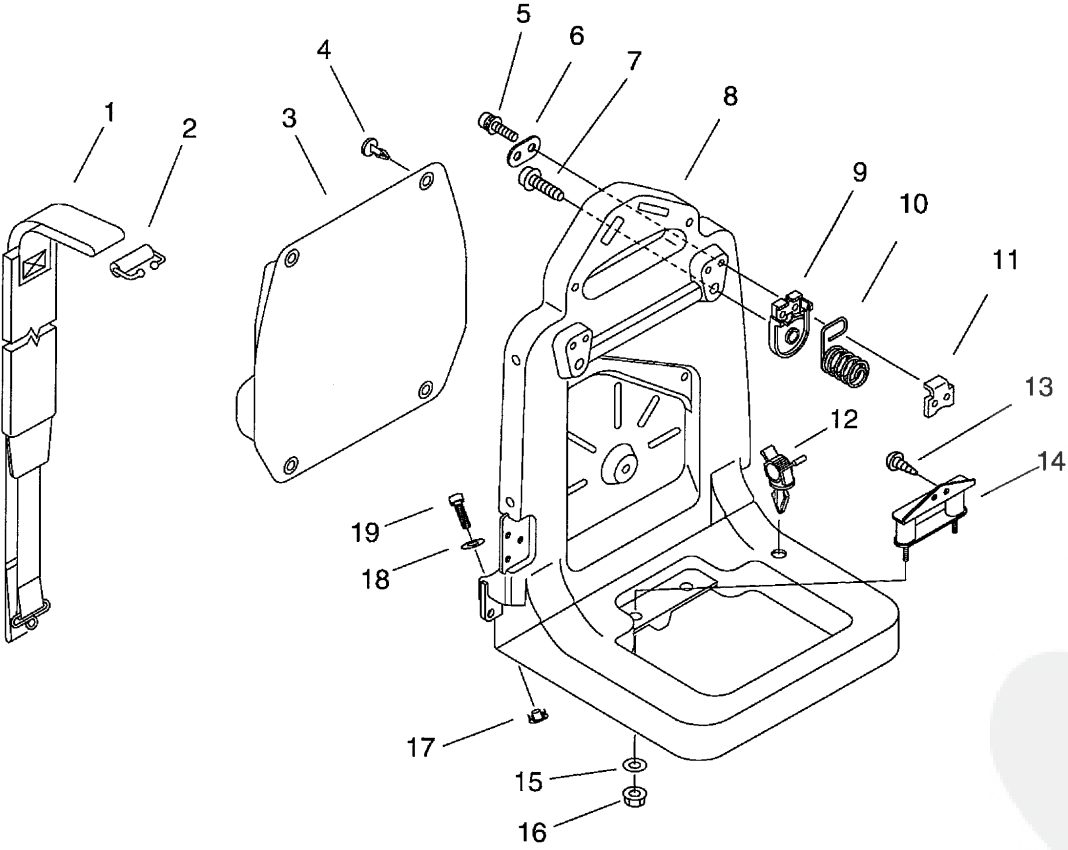
**Parts List**

Date:19-8-2011 Page: 1

Group:Power Blowers Model:PB-620(36) Section:Fan Case(Sr/Nr 36004851 and after) ( 9)

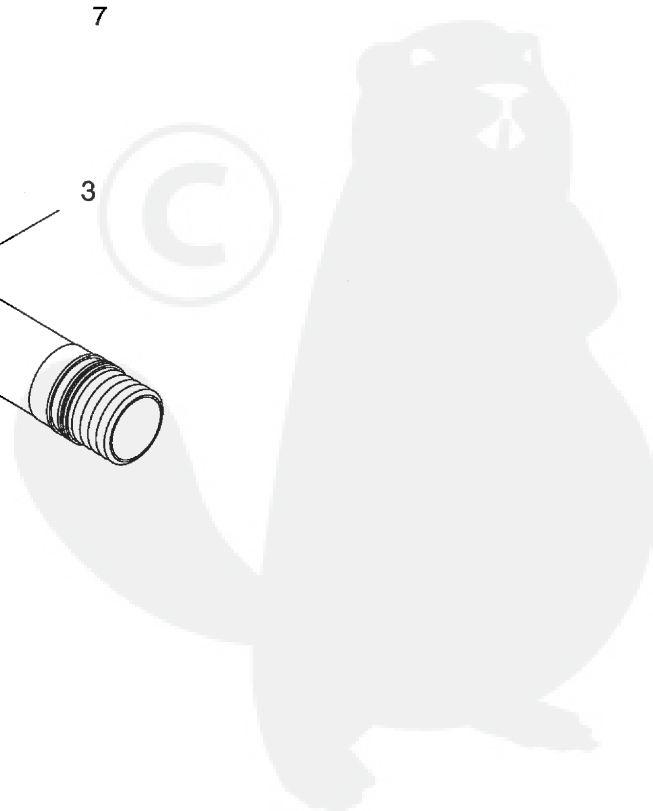
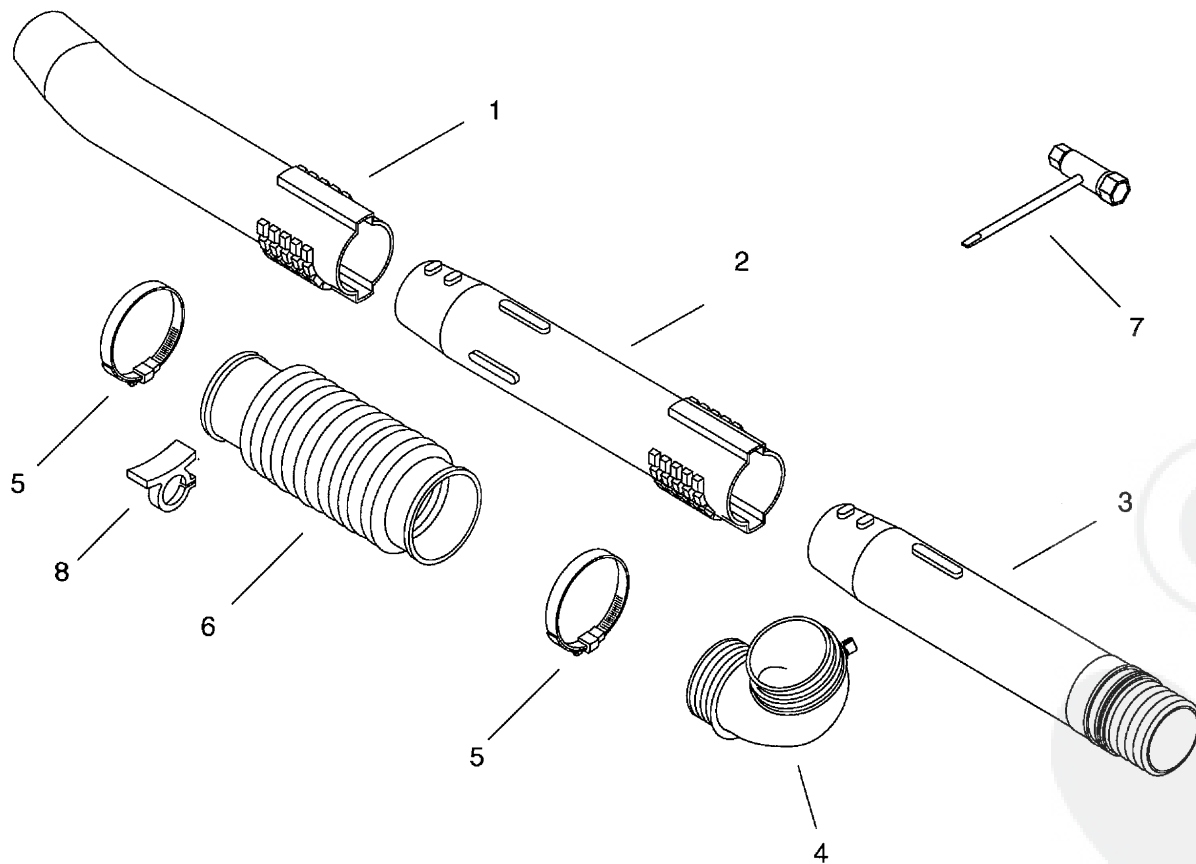
Key	Lv	Part Number	Q'ty	Description	Remarks	Note
1		V491-000120	8	CLIP		
2		E104-000061	1	GRID, BLOWER		
3		900253-05016	4	SCREW		
4		A161-000070	1	DUCT, AIR	Sus. by A161-000071	
5		C617-000230	1	STOPPER		
6		900253-05030	7	SCREW 5*30		
7		200111-08265	1	CASE, FAN		
8		900162-05020	4	BOLT, H.S. 5*20		
9		200005-08261	1	FAN		
10		900246-03012	4	SCREW 3*12		
11		104913-08360	2	BRACKET, ENGINE		
12		900105-05060	2	BOLT, H.S. 5*60		
13		900600-00005	2	WASHER 5		
14		890160-09461	1	LABEL, CAUTION		
15		900516-00005	4	NUT, FRANGE 5		
16		E103-000103	1	CASE, FAN		
17		900238-05040	2	SCREW 5*40		
18		178101-08260	1	HOLDER KIT, CABLE		
19	+	900238-05025	1	SCREW 5*25		
20		A322-000000	1	INSULATOR, MUFFLER	Sus. by A322-000060	
21		890560-90660	1	LABEL, PRIMING		
22		A190-000102	1	COVER, ENGINE		
23		900238-05018	5	SCREW 5*18		
24		890160-06361	1	LABEL, CAUTION	Sus. by X505-002310	
24		X505-002310	1	LABEL, CAUTION		
25		X503-007370	1	LABEL, MODEL	Sus. by X503-007371	
25		X503-007371	1	LABEL, MODEL	Sus. by X503-007372	
25		X503-007372	1	LABEL, MODEL		

Group: Power Blowers Model: PB-620(36) Section: Harness( 10)





Group: Power Blowers Model: PB-620 (36) Section: Pipe, Tool ( 11)



**Parts List**

Group:Power Blowers Model:PB-620(36) Section:Pipe, Tool( 11)

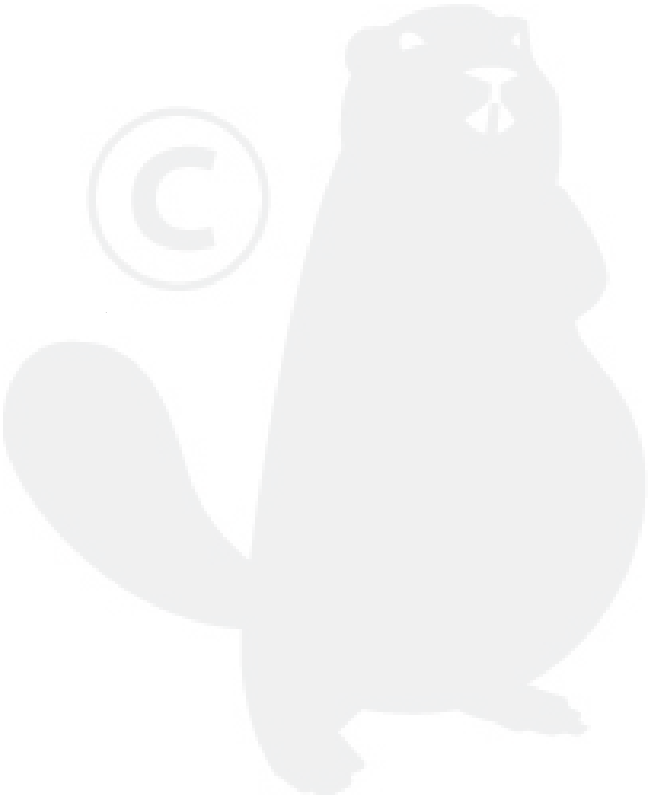
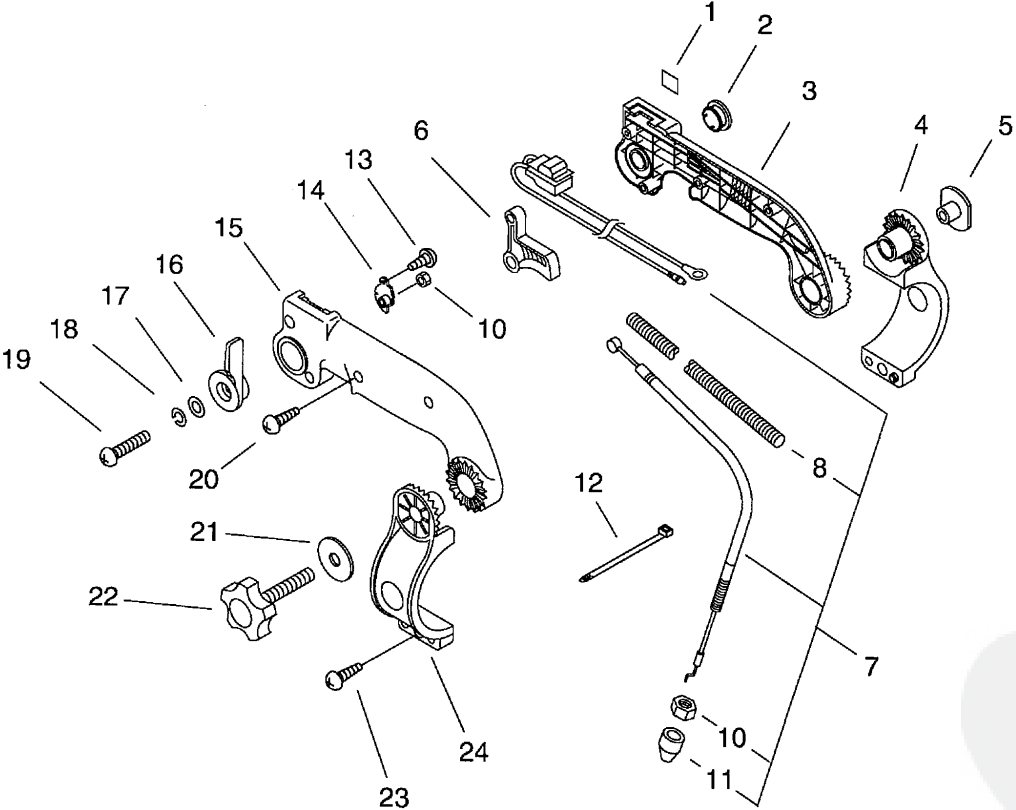
Date:19-8-2011 Page: 1

Key	Lv	Part Number	Q'ty	Description	Remarks	Note
1		E165-000160	1	PIPE, BLOWER		
2		E165-000140	1	PIPE, BLOWER	Sus. by E165-000141	
3		E165-000130	1	PIPE, BLOWER		
4		E160-000061	1	PIPE, MAIN		
5		V495-000430	2	BAND		
6		E164-000000	1	PIPE, FLEXIBLE		
7		895410-39131	1	WRENCH, W/S-DRIVER		
8		V491-000191	1	CLIP	Sr/Nr 36008771 and after	





Group: Power Blowers Model: PB-620 (36) Section: Throttle (Sr/Nr 36004850 and before) ( 12)



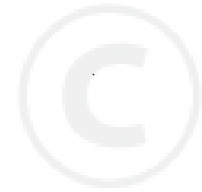
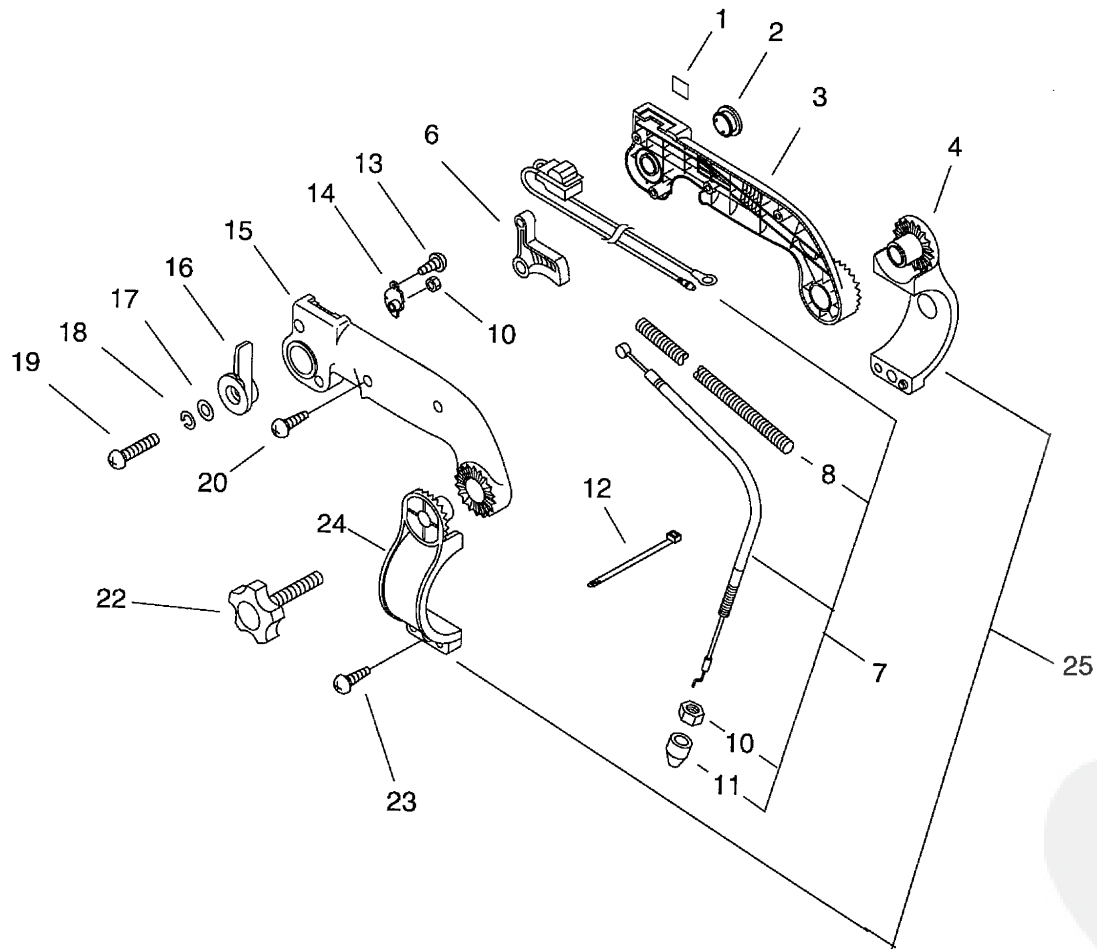
**Parts List**

Date:19-8-2011 Page: 1

Group:Power Blowers Model:PB-620(36) Section:Throttle(Sr/Nr 36004850 and before) ( 12)

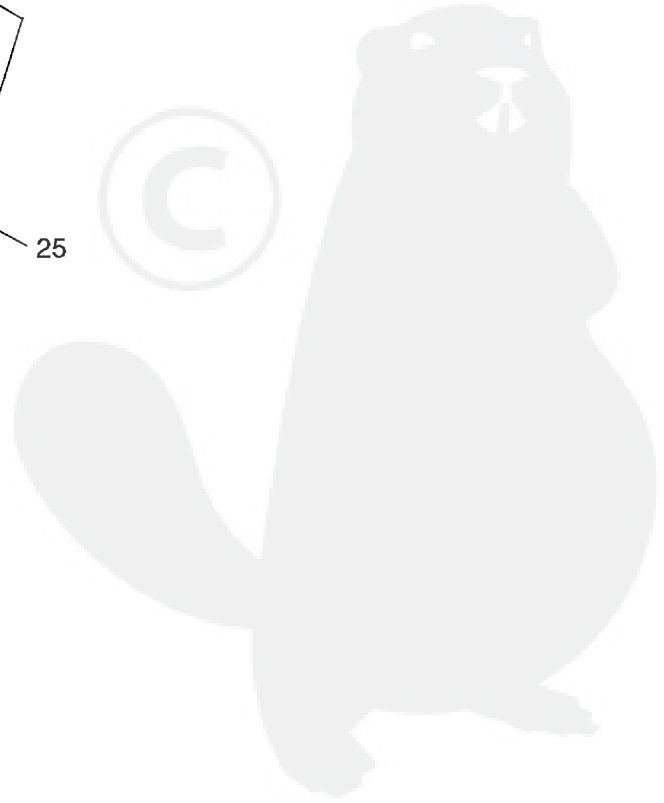
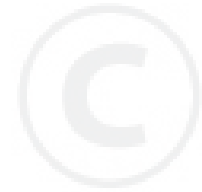
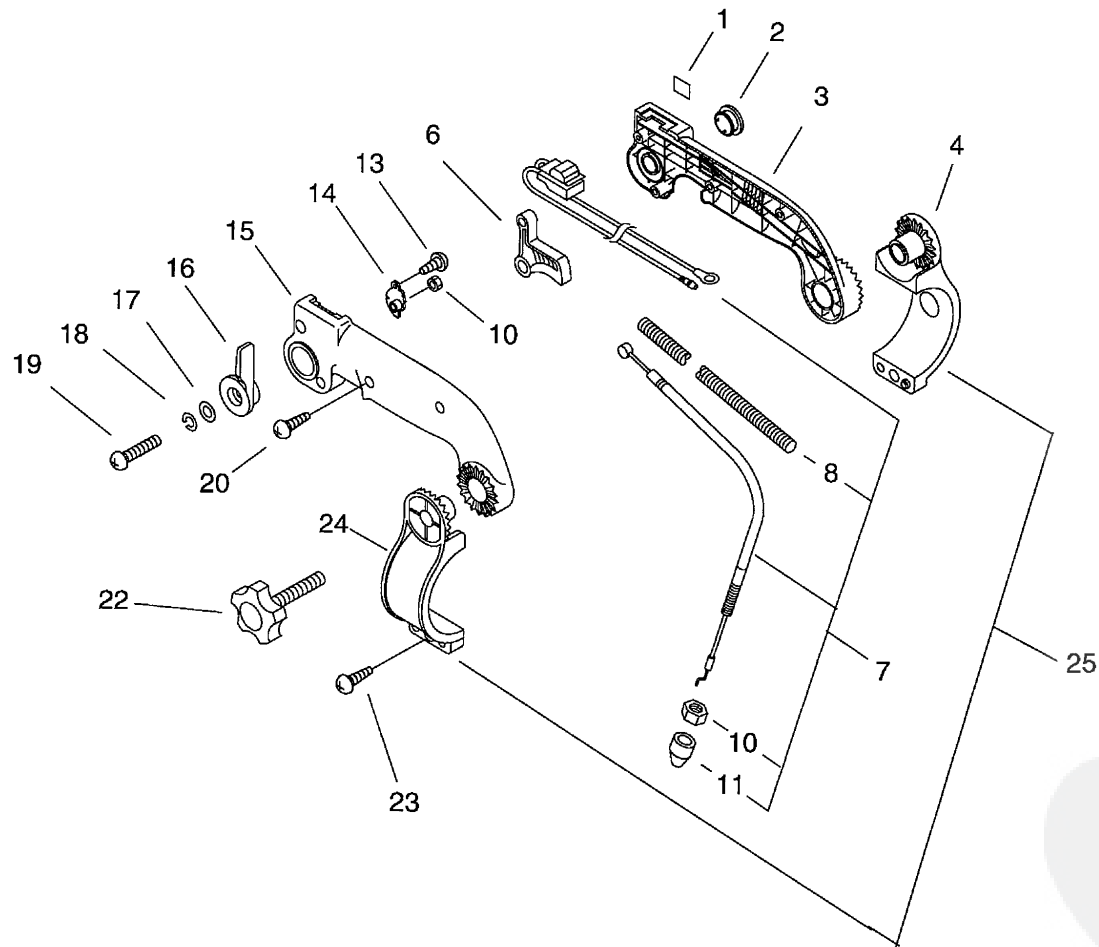
Key	Lv	Part Number	Q'ty	Description	Remarks	Note
2		351146-07560	1	PLUG		
3		351311-07560	1	HANDLE, FRONT		
4		C405-000030	1	BRACKET,HANDLE	Sr/Nr 36004850 and before	
5		178021-08260	1	NUT, THROTTLE ROD	Sr/Nr 36004850 and before	
6		178010-07561	1	CONTROL, THROTTLE		
7		V043-000021	1	CABLE,ASM CONTROL		
8	+	V475-003210	1	TUBE		
10	+	900500-00006	1	NUT 6		
11	+	178082-08260	1	CAP		
10		900500-00006	1	NUT 6		
12		178121-09860	2	BAND		
13		900245-04010	1	SCREW 4*10		
14		178123-07561	1	BRACKET, THROTTLE		
15		351315-07560	1	HANDLE, FRONT		
16		178054-07560	1	CONTRTOL, THROTTLE		
17		900603-00006	1	WASHER 6		
18		900605-00006	1	WASHER, SPRING 6		
19		900235-06020	1	SCREW 6*20		
20		900256-04022	4	SCREW 4*22		
21		178516-07560	1	WASHER 6	Sr/Nr 36004850 and before	
22		305812-08260	1	KNOB, FASTENER		
23		900253-05020	1	SCREW 5*20		
24		C405-000020	1	BRACKET,HANDLE	Sr/Nr 36004850 and before	

Group: Power Blowers Model: PB-620 (36) Section: Throttle (Sr/Nr 36004851 to 36008770) ( 13)

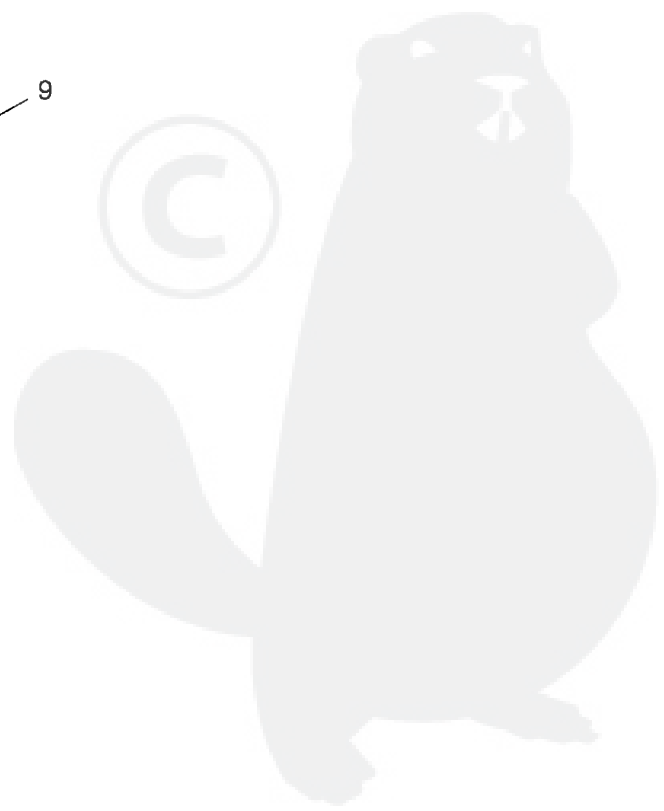
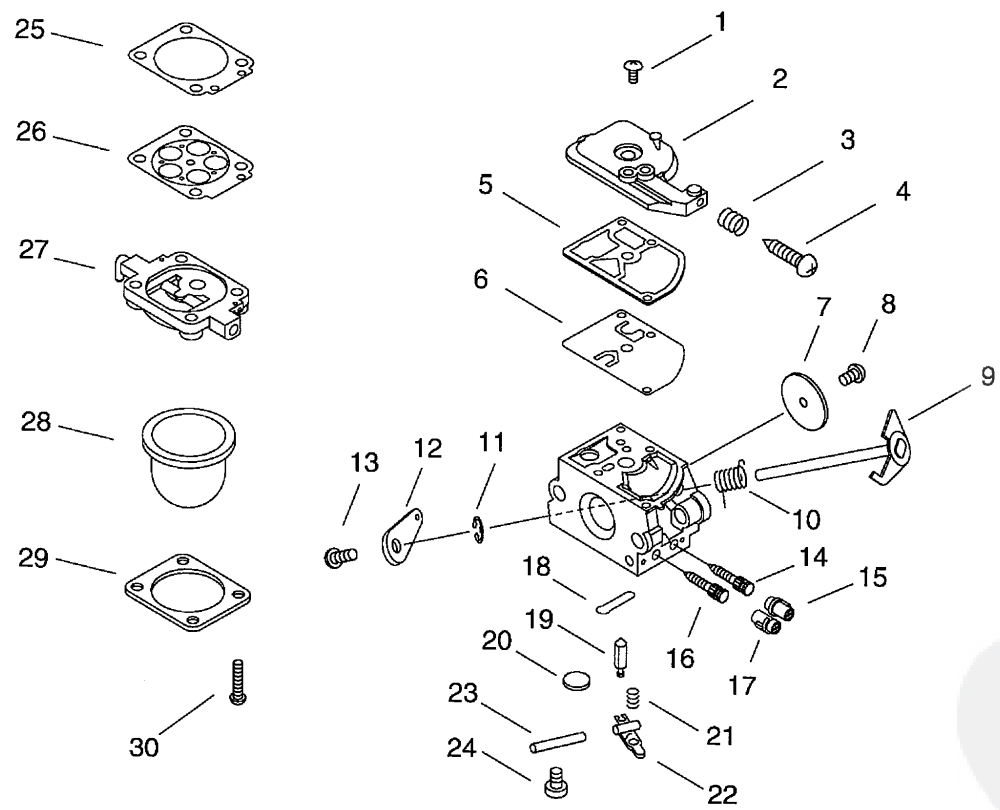




Group: Power Blowers Model: PB-620 (36) Section: Throttle (Sr/Nr 36008771 and after) ( 14)







## Parts List

Date:19-8-2011 Page: 1

Group:Power Blowers Model:PB-620(36) Section:Carburetor(Sr/Nr 36004850 and before) ( 15)

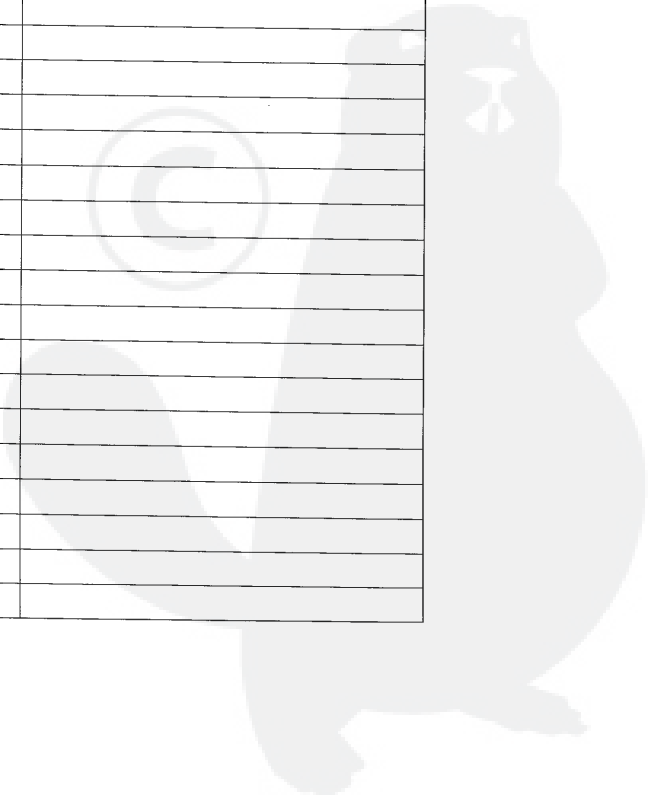
Key	Lv	Part Number	Q'ty	Description	Remarks	Note
		A021-000770	1	CARBURETOR,DIAPHRAGM		
1	+	125310-13930	1	SCREW		
2	+	125324-08360	1	COVER, PUMP		
3	+	125333-08560	1	SPRING,ADJUST SCREW		
4	+	125344-08560	1	SCREW		
5	+	125325-08360	1	GASKET, PUMP		
6	+	125312-08660	1	DIAPHRAGM, FUEL PUMP		
7	+	125316-13930	1	VALVE, THROTTLE		
8	+	125314-13930	1	SCREW		
9	+	125317-08360	1	SHAFT, THROTTLE	Sus. by P005-002040	
10	+	125313-08360	1	SPRING, THRT. RETURN		
11	+	125327-13930	1	CLIP		
12	+	125350-08360	1	LEVER, THROTTLE		
13	+	125348-13930	1	SCREW		
14	+	P005-001600	1	SCREW, IDLE MIXTURE		
15	+	125329-09860	1	LIMITER, MIXTURE		
16	+	P005-001590	1	SCREW,MAINN MIXTURE		
17	+	125329-39030	1	LIMITER, MIXTURE		
18	+	125345-08360	1	PLUG, WELCH		
19	+	125337-08260	1	VALVE, INLET NEEDLE		
20	+	125326-08360	1	STRAINER		
21	+	125322-13930	1	SPRING, COIL		
22	+	125323-08260	1	ARM, VALVE		
23	+	125338-13930	1	PIN, METERING ARM		
24	+	125339-13930	1	SCREW		
25	+	125340-34530	1	GASKET, DIAPHRAGM		
26	+	125341-08360	1	DIAPHRAGM		
27	+	P005-000610	1	BASE, PRIMER		

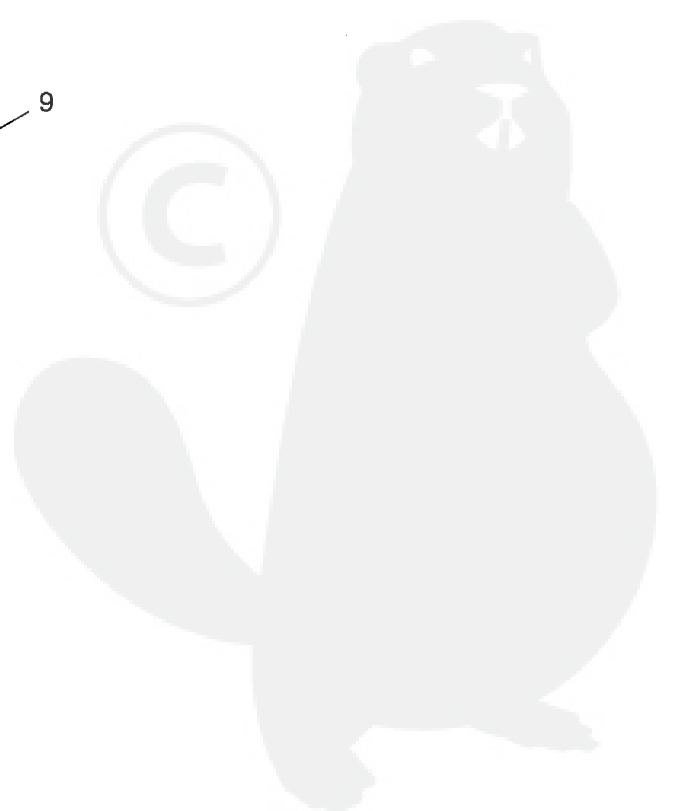
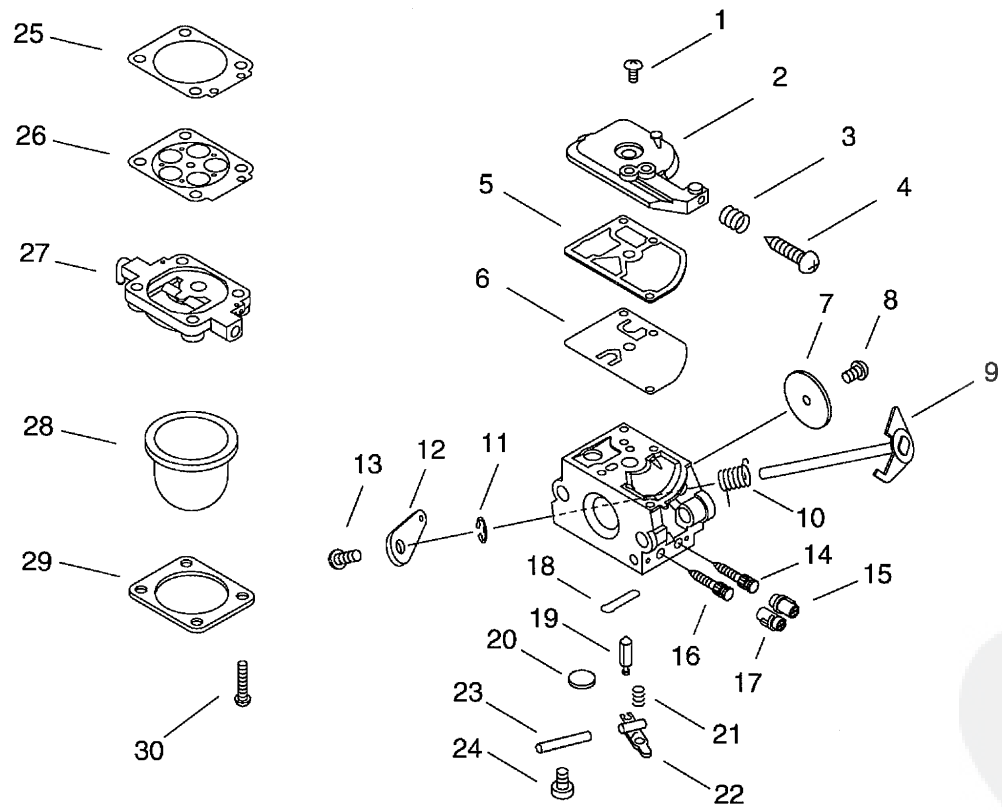


**P a r t s L i s t**

Group:Power Blowers Model:PB-620(36) Section:Carburetor(Sr/Nr 36004850 and before)( 15)

Key	Lv	Part Number	Q'ty	Description	Remarks	Note
28	+	125381-08660	1	PUMP, PRIMING		
29	+	P005-000620	1	RETAINER		
30	+	P005-000980	4	SCREW		





## Parts List

Date:19-8-2011 Page: 1

Group:Power Blowers Model:PB-620(36) Section:Carburetor(Sz/Nr 36004851 and after) ( 16)

Key	Lv	Part Number	Q'ty	Description	Remarks	Note
		A021-000770	1	CARBURETOR,DIAPHRAGM	Sus. by A021-000771	
		A021-000771	1	CARBURETOR,DIAPHRAGM		
1	+	125310-13930	1	SCREW		
2	+	125324-08360	1	COVER, PUMP		
3	+	125333-08560	1	SPRING,ADJUST SCREW		
4	+	125344-08560	1	SCREW		
5	+	125325-08360	1	GASKET, PUMP		
6	+	125312-08660	1	DIAPHRAGM, FUEL PUMP		
7	+	125316-13930	1	VALVE, THROTTLE		
8	+	125314-13930	1	SCREW		
9	+	125317-08360	1	SHAFT, THROTTLE	Sus. by P005-002040	
9	+	P005-002040	1	SHAFT ASY,THROTTLE		
10	+	125313-08360	1	SPRING, THRT. RETURN		
11	+	125327-13930	1	CLIP		
12	+	125350-08360	1	LEVER, THROTTLE		
13	+	125348-13930	1	SCREW		
14	+	P005-001600	1	SCREW, IDLE MIXTURE		
15	+	125329-09860	1	LIMITER, MIXTURE		
16	+	P005-001590	1	SCREW,MAINN MIXTURE		
17	+	125329-39030	1	LIMITER, MIXTURE		
18	+	125345-08360	1	PLUG, WELCH		
19	+	125337-08260	1	VALVE, INLET NEEDLE		
20	+	125326-08360	1	STRAINER		
21	+	125322-13930	1	SPRING, COIL		
22	+	125323-08260	1	ARM, VALVE		
23	+	125338-13930	1	PIN, METERING ARM		
24	+	125339-13930	1	SCREW		
25	+	125340-34530	1	GASKET, DIAPHRAGM		



