



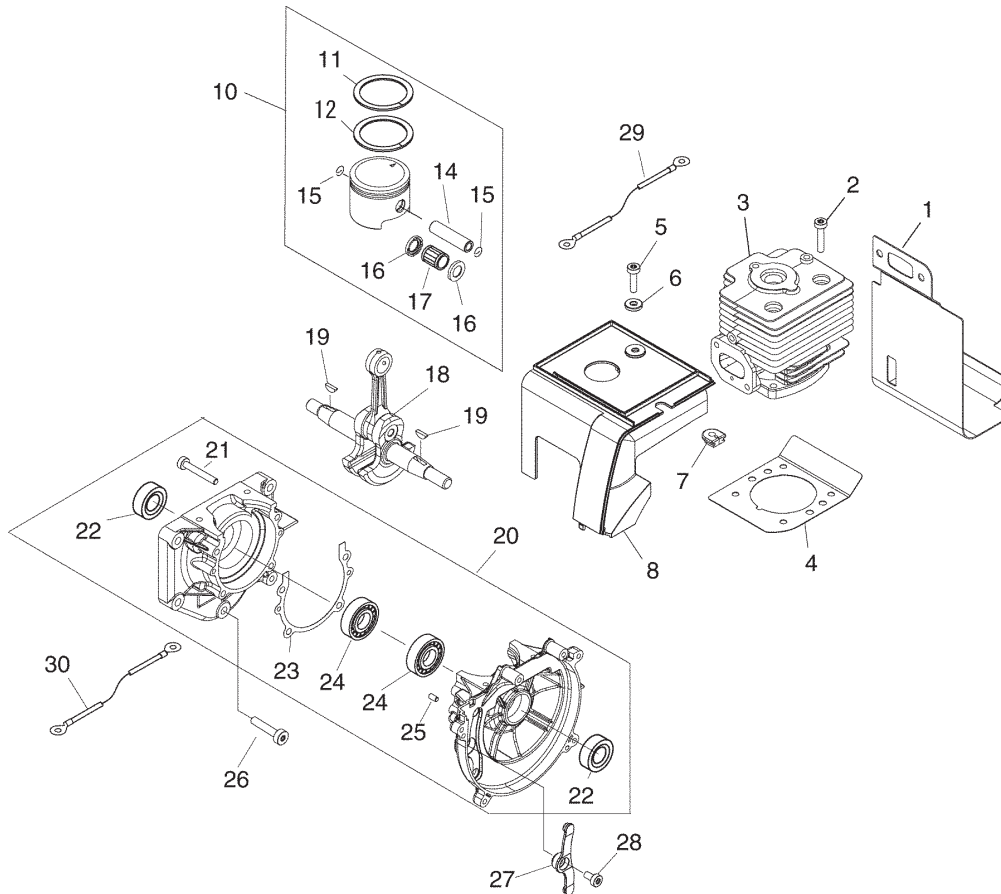
PARTS CATALOGUE

POWER BLOWER

PB-770

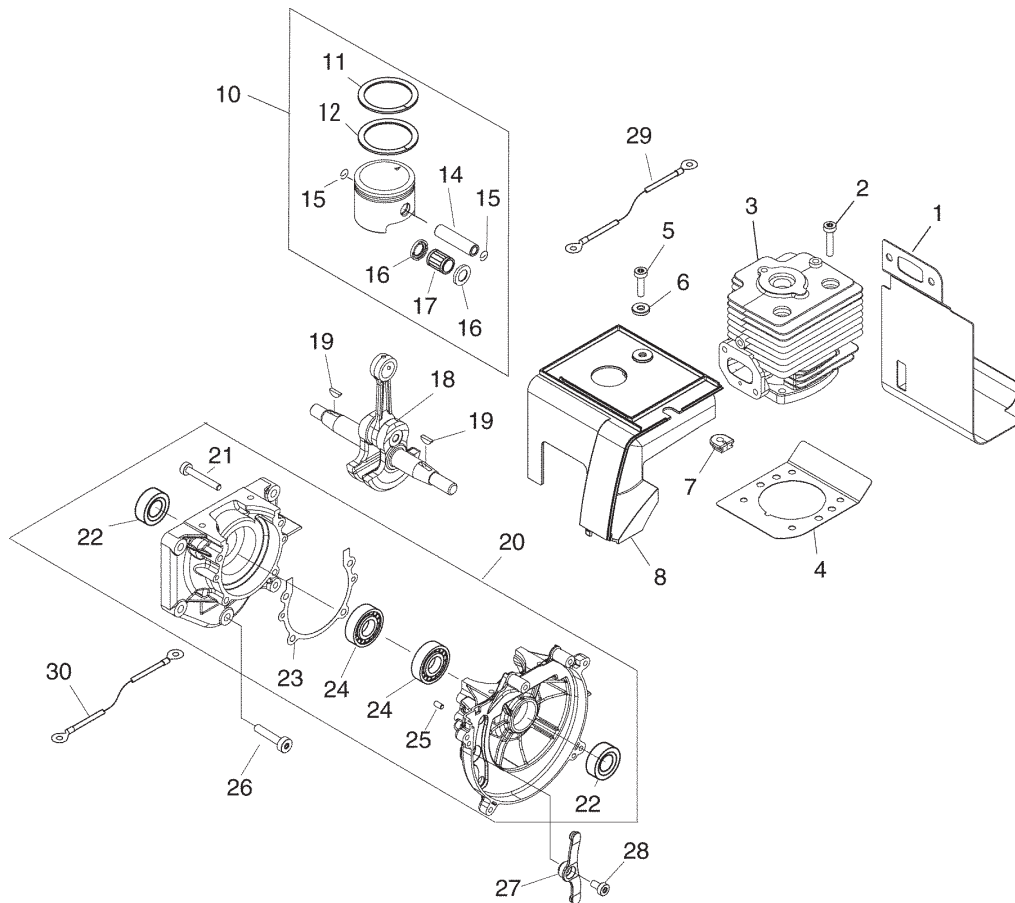


CE



KEY	LV	PART NUMBER	Q'TY	DESCRIPTION	REMARKS
1		V104-000950	1	GASKET,EXHAUST	
2		V805-000220	4	BOLT, TORX 5	
3		A130-001050	1	CYLINDER	
4		V100-000290	1	GASKET,CYL	
5		V805-000160	1	BOLT, TORX 5	
6		V323-000060	1	WASHER,CIRCULAR 5	
7		156112-40630	1	GROMMET	
8		A160-001240	1	COVER,CYLINDER	
10		P021-002983	1	PISTON KIT	
11	+	A101-000030	1	RING,PISTON	
12	+	A101-000020	1	RING,PISTON	
14	+	V608-000010	1	PIN,ENG 10	
15	+	100015-00120	2	CIRCLIP, PISTON PIN	
16	+	V307-000060	2	WASHER,CIRCULAR 10	
17	+	V555-000010	1	BEARING,NEEDLE 10	
18		A011-000570	1	CRANKSHAFT,ASY	
19		900323-03014	2	KEY WOODRUFF	
20		P021-017260	1	CRANKCASE KIT	
21	+	V805-000180	4	BOLT, TORX 5	
22	+	V508-000010	2	SEAL,OIL 15	
23	+	V102-000070	1	GASKET,CRANKCASE	
24	+	94032-36302	2	BEARING BALL	
25	+	100215-03930	2	PIN, DOWEL	
26		V806-000060	5	BOLT, TORX 6	

1 Cylinder, Crankcase, Piston



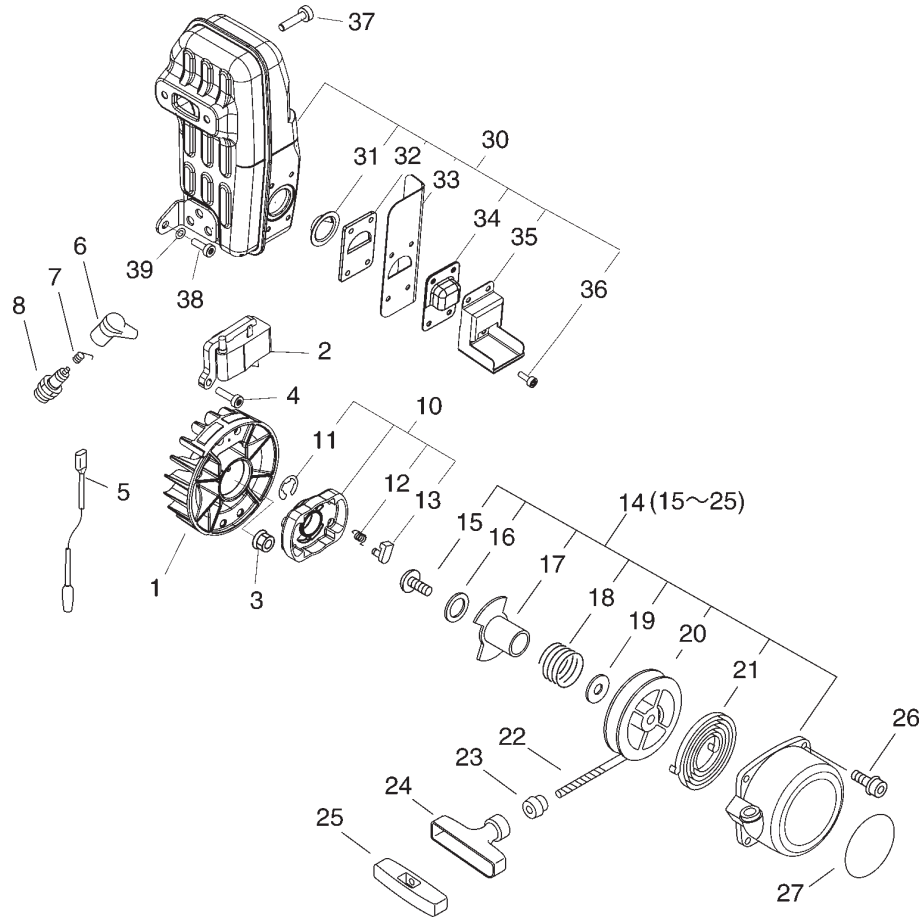
KEY	LV	PART NUMBER	Q'TY	DESCRIPTION	REMARKS
27		A127-000240	1	COVER,DUST	
28		V805-000130	1	BOLT,TORX 5	
29		V485-001180	1	LEAD	
30		V485-001190	1	LEAD	



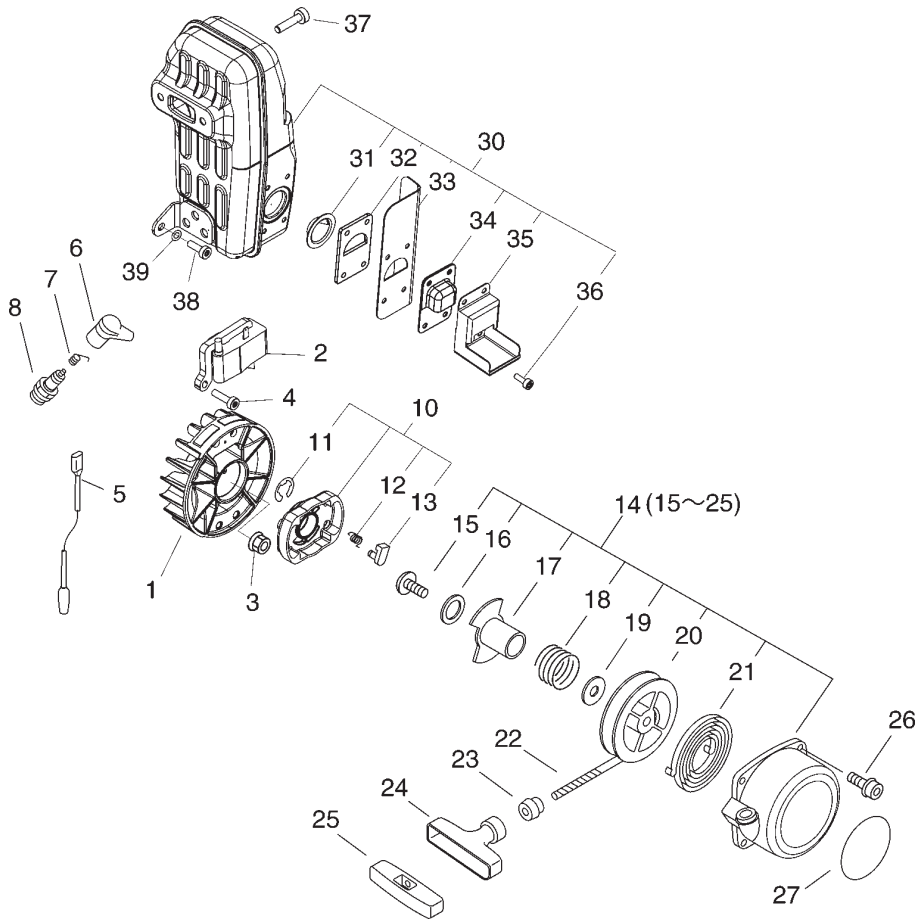
PB-770

2

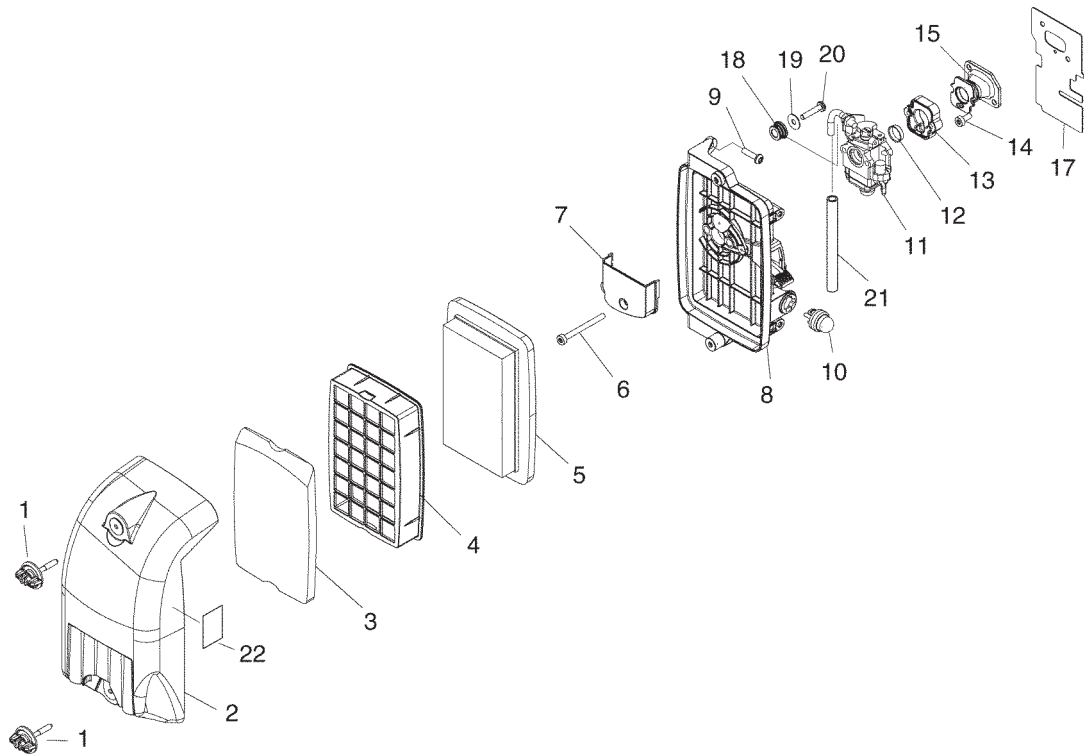
Starter, Magneto, Muffler



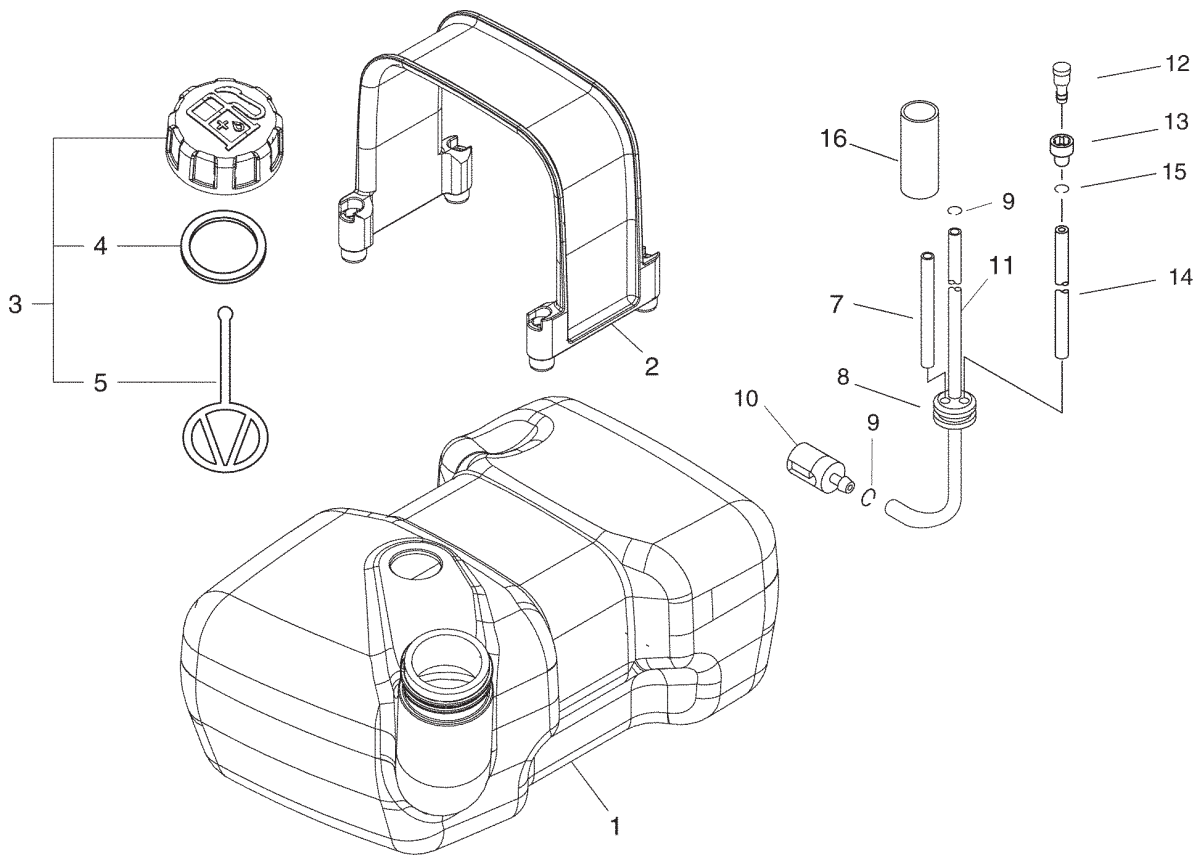
KEY	LV	PART NUMBER	Q'TY	DESCRIPTION	REMARKS
1		A409-000390	1	ROTOR, MAGNETO	
2		A411-000490	1	COIL, IGNITION	
3		900519-00010	1	NUT, FLANGE 10	
4		V805-000160	2	BOLT, TORX 5	
5		V485-001170	1	LEAD	
6		159011-03432	1	COIL, SPARK PLUG	
7		159012-03433	1	CAP, SPARK PLUG	
8		A425-000000	1	SPARKPLUG	
10		A052-000270	1	PULLEY,ASM STARTER	
11	+	P022-002100	2	E-RING	
12	+	P022-003130	2	SPRING, RETURN	
13	+	P022-003120	2	PAWL, STARTER	
14		A051-000841	1	STARTER,RECOIL	
15	+	177236-61830	1	SCREW	
16	+	P022-010250	1	WASHER, THRUST	
17	+	P022-010221	1	PLATE, FRICTION	
18	+	P022-010231	1	SPRING, FRICTION	
19	+	P022-010240	1	WASHER	
20	+	P022-010280	1	DRUM, STARTER	
21	+	P022-004680	1	SPRING, SPIRAL	
22	+	P022-010270	1	ROPE	
23	+	177227-42030	1	GUIDE, ROPE	
24	+	177228-11620	1	GRIP, STARTER	
25	+	P022-010260	1	CAP, GRIP	



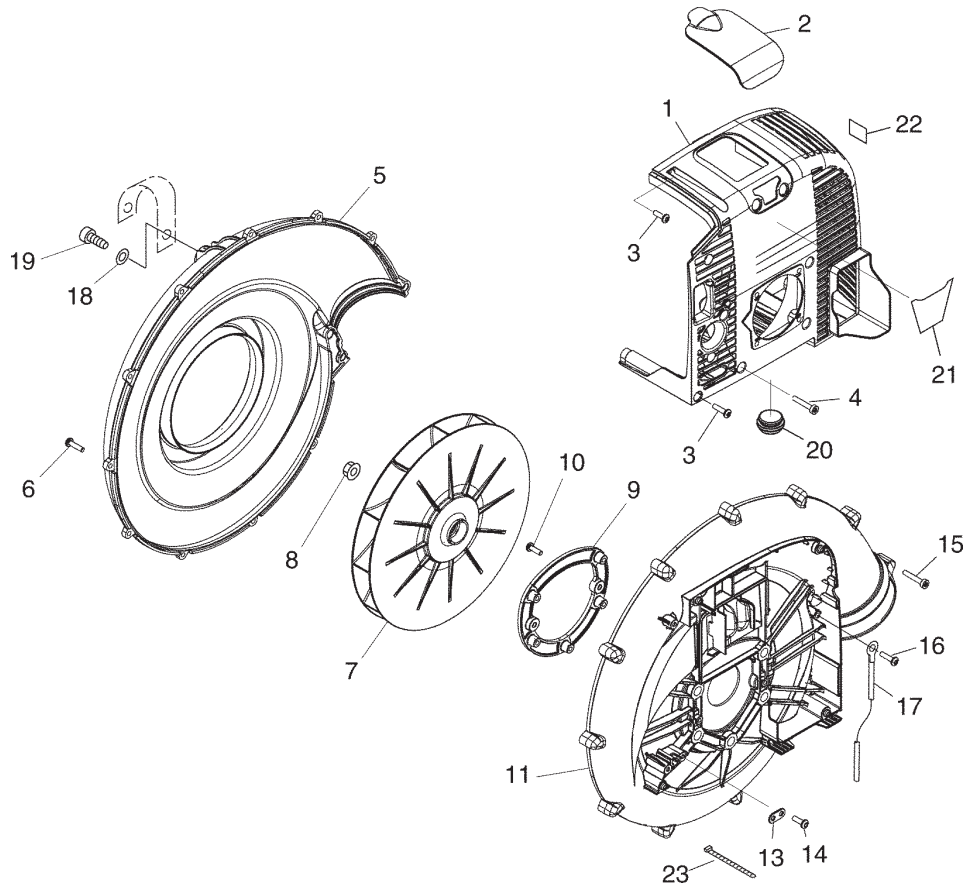
KEY	LV	PART NUMBER	Q'TY	DESCRIPTION	REMARKS
26		V805-000150	4	BOLT, TORX 5	
27		X502-000460	1	LABEL, ECHO	
30		P021-017270	1	MUFFLER ASY	
31	+	A310-000000	1	SCREEN, ARRESTOR	
32	+	V104-000550	1	GASKET, EXHAUST	
33	+	V104-000560	1	GASKET, EXHAUST	
34	+	A313-000520	1	GUIDE, EXH	
35	+	A313-001080	1	GUIDE, EXHAUST	
36	+	V804-000090	4	BOLT, TORX 4	
37		V806-000050	2	BOLT, TORX 6	
38		V805-000250	1	BOLT, TORX 5	
39		613019-07350	1	WASHER 5.5*16*2T	



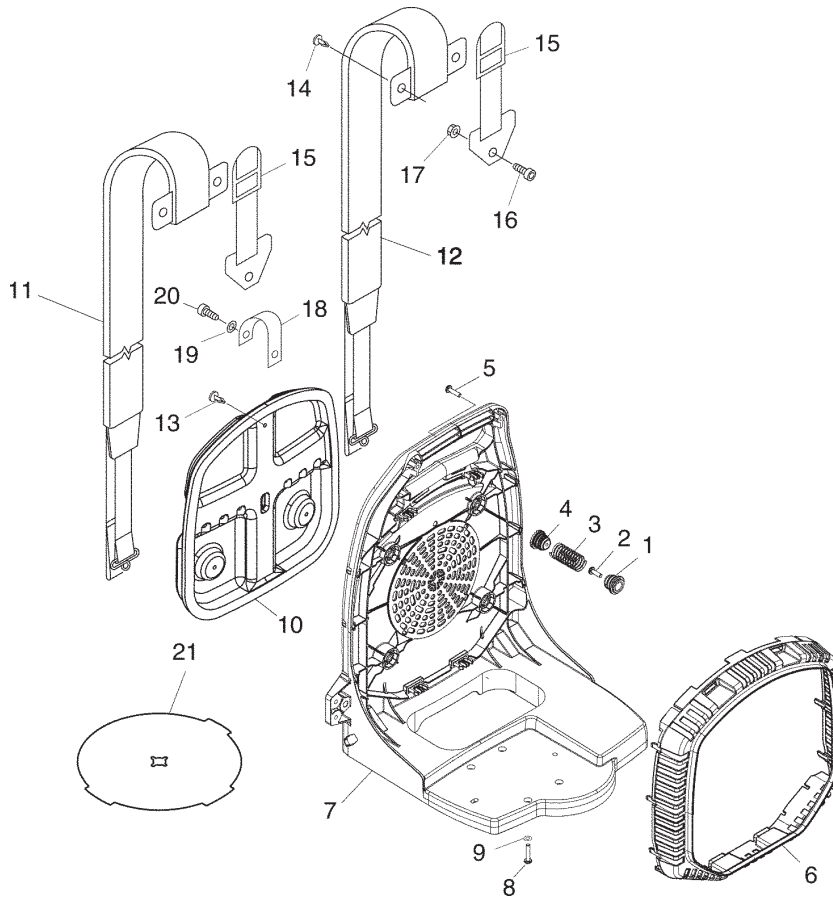
KEY	LV	PART NUMBER	Q'TY	DESCRIPTION	REMARKS
1		A235-000020	2	KNOB,CLEANER LID	
2		A232-000550	1	LID,CLEANER	
3		A226-000480	1	ELEMENT, AIR FILTER	
4		A227-000010	1	PLATE, ELEMENT	
5		A226-000410	1	ELEMENT, AIR FILTER	
6		V805-000090	2	BOLT, TORX 5	
7		A244-000090	1	PLATE, PREVENT	
8		P021-017280	1	CLEANER CASE ASY	
9		V805-000010	2	BOLT, TORX 5	
10		123181-39130	1	PUMP, PRIMER	
11		A021-001870	1	CARBURETOR,DIAPHRAGM	
12		A205-000000	1	RING, SEAL	
13		A201-000010	1	ADAPTER, INTAKE	
14		V805-000140	2	BOLT, TORX 5	
15		A202-000090	1	BELLOWS, INTAKE	
17		V103-000530	1	GASKET,INTAKE	
18		C480-000080	1	GUIDE, CABLE	
19		131911-03460	1	WASHER	
20		V805-000000	1	BOLT, TORX 5	
21		V471-001240	1	PIPE	
22		890332-52730	1	LABEL, CHOKE	



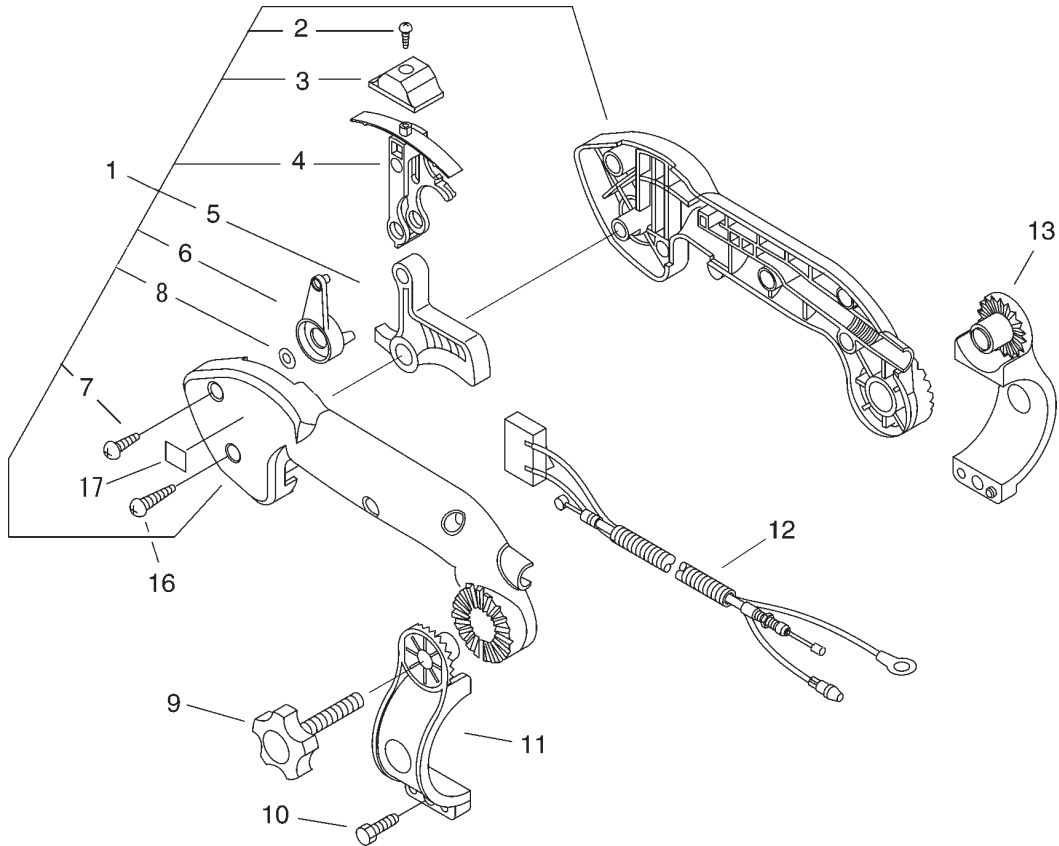
KEY	LV	PART NUMBER	Q'TY	DESCRIPTION	REMARKS
1		A350-000980	1	TANK, FUEL	
2		A392-000040	1	BAND, FUEL TANK	
3		131004-55530	1	CAP ASSY, FUEL TANK	
4	+	131016-55830	1	GASKET, FUEL CAP	
5	+	131051-56030	1	CLIP, FUEL CAP	
7		V470-000860	1	PIPE	
8		132115-55930	1	GRÖMMET, FUEL	
9		132013-09820	2	CLIP	
10		A369-000000	1	STRAINER, FUEL	
11		V471-002310	1	PIPE	
12		A356-000030	1	VALVE,CHECK	
13		131328-40630	1	COVER, VENT	
14		V471-002320	1	PIPE	
15		132013-26630	1	CLIP	
16		V475-004400	1	TUBE	



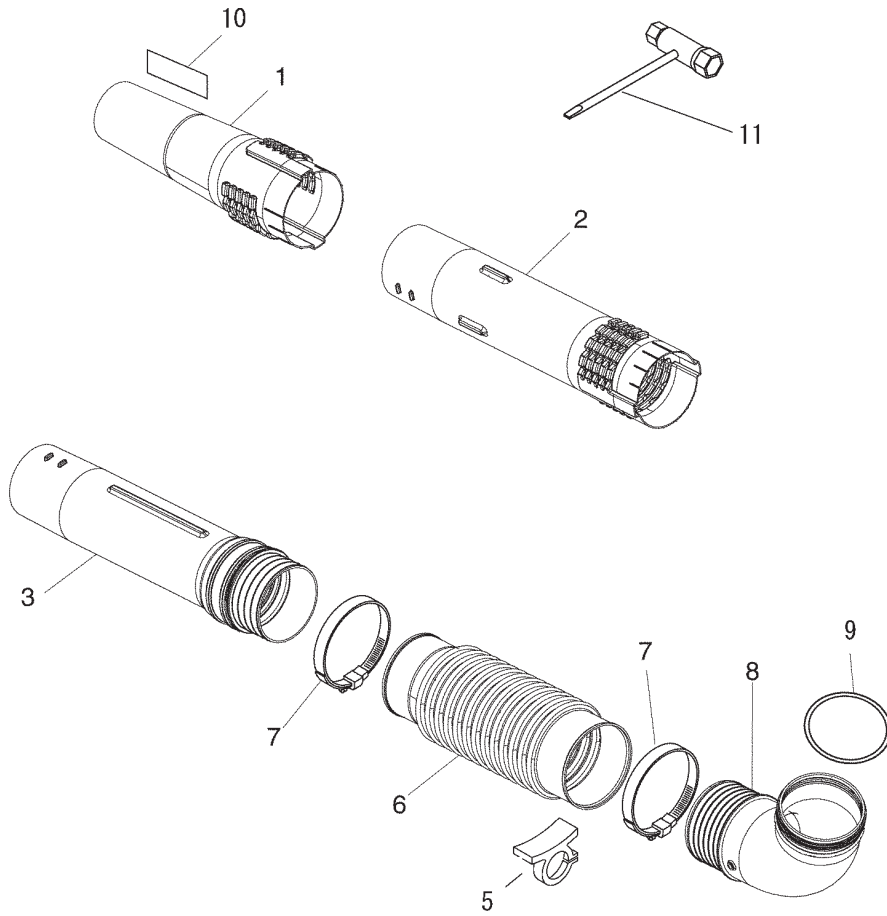
KEY	LV	PART NUMBER	Q'TY	DESCRIPTION	REMARKS
1		A190-000850	1	COVER,ENGINE	
2		A429-000060	1	COVER,CAP	
3		V805-000010	6	BOLT, TORX 5	
4		V805-000150	4	BOLT, TORX 5	
5		E103-000680	1	CASE,FAN	
6		V805-000010	10	BOLT, TORX 5	
7		E100-000080	1	FAN,BLOWER	
8		900519-00010	1	NUT, FLANGE 10	
9		C632-000100	1	PLATE, ENG	
10		V805-000000	2	BOLT, TORX 5	
11		E103-000670	1	CASE,FAN	
13		V150-001350	1	PLATE,EYE	
14		V805-000000	1	BOLT, TORX 5	
15		V805-000010	2	BOLT, TORX 5	
16		V805-000240	1	BOLT, TORX 5	
17		V485-001200	1	LEAD	
18		613019-07350	1	WASHER 5.5*16*2T	
19		V805-000010	1	BOLT, TORX 5	
20		V420-000910	1	CUSHION	
21		X547-001670	1	LABEL,ECHO	
22		X505-002310	1	LABEL,CAUTION	
23		178121-43230	1	BAND	



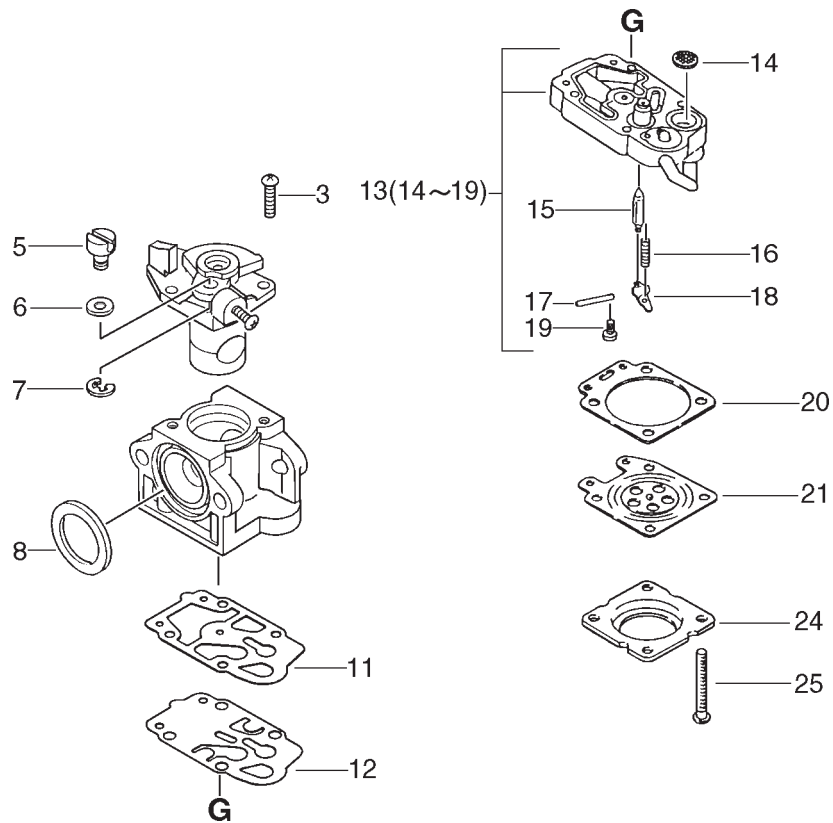
KEY	LV	PART NUMBER	Q'TY	DESCRIPTION	REMARKS
1		V456-000120	4	HOLDER, SPRING	
2		V805-000000	4	BOLT, TORX 5	
3		V450-000780	4	SPRING, COMPRESSION	
4		V456-000130	4	HOLDER, SPRING	
5		V805-000010	4	BOLT, TORX 5	
6		E104-000100	1	GRID, BLOWER	
7		C620-000330	1	FRAME, BACKPACK	
8		V805-000170	4	BOLT, TORX 5	
9		613019-07350	4	WASHER 5.5*16*2T	
10		C630-000070	1	SEAT, BACKPACK	
11		C644-000060	1	PAD, HARNESS	
12		C644-000070	1	PAD, HARNESS	
13		V491-000090	3	CLIP	
14		V491-000120	3	CLIP	
15		C651-000020	2	BELT, HARNESS	
16		V805-000050	2	BOLT, TORX 5	
17		900562-50005	2	LOCKNUT 5	
18		C617-000380	1	STOPPER	
19		613019-07350	1	WASHER 5.5*16*2T	
20		V805-000010	1	BOLT, TORX 5	
21		C635-000000	1	LID, SEAT	



KEY	LV	PART NUMBER	Q'TY	DESCRIPTION	REMARKS
1		P021-017291	1	FRONT HANDLE ASY	
2	+	91545-03014	1	SCREW TAPTITE-P	
3	+	E151-000000	1	KNOB,LEVER	
4	+	C453-000211	1	LEVER, THROTTLE	
5	+	C450-000390	1	CONTROL, THROTTLE	
6	+	C453-000203	1	LEVER, THROTTLE	
7	+	V805-000010	4	BOLT, TORX 5	
8	+	V303-000100	1	WASHER,CIRCULAR 5	
9		305812-08260	1	KNOB, FASTENER	
10		V805-000010	1	BOLT, TORX 5	
11		C405-000360	1	BRACKET,HANDLE	
12		V043-000340	1	CABLE ASY, CONTROL	
13		C405-000370	1	BRACKET,HANDLE	
16		V805-000230	1	BOLT, TORX 5	
17		X505-000950	1	LABEL,CAUTION	

PB-770**8****Blower Pipe**

KEY	LV	PART NUMBER	Q'TY	DESCRIPTION	REMARKS
1		E165-000280	1	PIPE,BLOWER	
2		E165-000290	1	PIPE,BLOWER	
3		E165-000310	1	PIPE,BLOWER	
5		V491-000191	1	CLIP	
6		E164-000090	1	PIPE,FLEXIBLE	
7		V495-000440	2	BAND	
8		E160-000130	1	PIPE,MAIN	
9		92501-09500	1	O-RING	
10		890118-04262	2	LABEL, ECHO	
11		895410-39131	1	WRENCH, W/S-DRIVER	



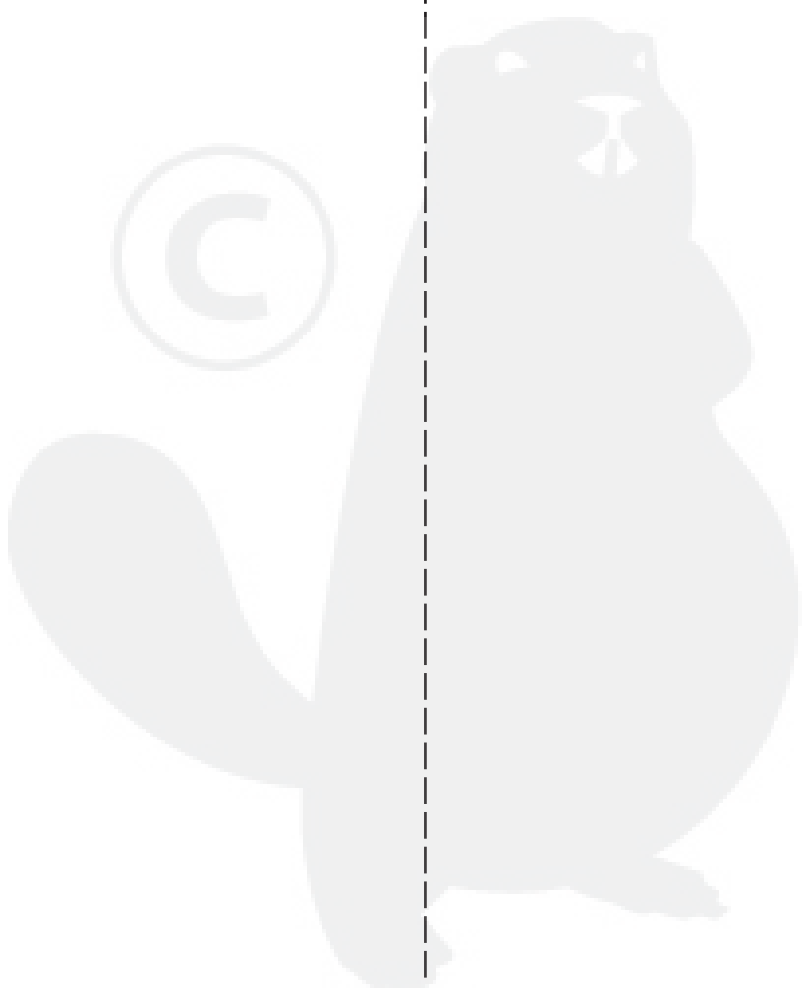
KEY	LV	PART NUMBER	Q'TY	DESCRIPTION	REMARKS
		A021-001870	1	CARBURETOR,DIAPHRAGM	
3	+	P003-002400	2	SCREW	
5	+	123172-45130	1	SWIVEL	
6	+	123149-54230	1	WASHER	
7	+	123173-07930	1	CLIP	
8	+	123143-12110	1	RING, PACKING	
11	+	P003-000100	1	GASKET, PUMP	
12	+	123112-40630	1	DIAPHRAGM, PUMP	
13	+	P003-002410	1	BODY ASSEMBLY, PUMP	
14	++	123126-10631	1	SCREEN, INLET	
15	++	123137-19830	1	VALVE, INLET NEEDLE	
16	++	123122-05560	1	SPRING, METER. LEVER	
17	++	123138-03930	1	PIN, METERING LEVER	
18	++	123123-03930	1	LEVER, METERING	
19	++	123139-05560	1	SCREW, M. LEVER PIN	
20	+	123140-27230	1	GASKET,M. DIAPHRAGM	
21	+	P003-001850	1	DIAPHRAGM, METERING	
24	+	123142-03930	1	COVER, M. DIAPHRAGM	
25	+	123144-44330	4	SCREW	

Index

Parts Number	Key No.	Parts Number	Key No.	Parts Number	Key No.
A011-000570	1 - 18	E151-000000	7 - 3	V485-001200	5 - 17
A021-001870	3 - 11	E160-000130	8 - 8	V491-000090	6 - 13
A021-001870	10 -	E164-000090	8 - 6	V491-000120	6 - 14
A051-000841	2 - 14	E165-000280	8 - 1	V491-000191	8 - 5
A052-000270	2 - 10	E165-000290	8 - 2	V495-000440	8 - 7
A101-000020	1 - 12	E165-000310	8 - 3	V508-000010	1 - 22
A101-000030	1 - 11	P003-000100	10 - 11	V555-000010	1 - 17
A127-000240	1 - 27	P003-001850	10 - 21	V608-000010	1 - 14
A130-001050	1 - 3	P003-002400	10 - 3	V804-000090	2 - 36
A160-001240	1 - 8	P003-002410	10 - 13	V805-000000	3 - 20
A190-000850	5 - 1	P021-002983	1 - 10	V805-000000	5 - 10
A201-000010	3 - 13	P021-017260	1 - 20	V805-000000	5 - 14
A202-000090	3 - 15	P021-017270	2 - 30	V805-000000	6 - 2
A205-000000	3 - 12	P021-017280	3 - 8	V805-000010	3 - 9
A226-000410	3 - 5	P021-017291	7 - 1	V805-000010	5 - 3
A226-000480	3 - 3	P022-002100	2 - 11	V805-000010	5 - 6
A227-000010	3 - 4	P022-003120	2 - 13	V805-000010	5 - 15
A232-000550	3 - 2	P022-003130	2 - 12	V805-000010	5 - 19
A235-000020	3 - 1	P022-004680	2 - 21	V805-000010	6 - 5
A244-000090	3 - 7	P022-010221	2 - 17	V805-000010	6 - 20
A310-000000	2 - 31	P022-010231	2 - 18	V805-000010	7 - 7
A313-000520	2 - 34	P022-010240	2 - 19	V805-000010	7 - 10
A313-001080	2 - 35	P022-010250	2 - 16	V805-000050	6 - 16
A350-000980	4 - 1	P022-010260	2 - 25	V805-000090	3 - 6
A356-000030	4 - 12	P022-010270	2 - 22	V805-000130	1 - 28
A369-000000	4 - 10	P022-010280	2 - 20	V805-000140	3 - 14
A392-000040	4 - 2	V043-000340	7 - 12	V805-000150	2 - 26
A409-000390	2 - 1	V100-000290	1 - 4	V805-000150	5 - 4
A411-000490	2 - 2	V102-000070	1 - 23	V805-000160	1 - 5
A425-000000	8 - 8	V103-000530	3 - 17	V805-000160	2 - 4
A429-000060	5 - 2	V104-000550	2 - 32	V805-000170	6 - 8
C405-000360	7 - 11	V104-000560	2 - 33	V805-000180	1 - 21
C405-000370	7 - 13	V104-000950	1 - 1	V805-000220	1 - 2
C450-000390	7 - 5	V150-001350	5 - 13	V805-000230	7 - 16
C453-000203	7 - 6	V303-000100	7 - 8	V805-000240	5 - 16
C453-000211	7 - 4	V307-000060	1 - 16	V805-000250	2 - 38
C480-000080	3 - 18	V323-000060	1 - 6	V806-000050	2 - 37
C617-000380	6 - 18	V420-000910	5 - 20	V806-000060	1 - 26
C620-000330	6 - 7	V450-000780	6 - 3	X502-000460	2 - 27
C630-000070	6 - 10	V456-000120	6 - 1	X505-000950	7 - 17
C632-000100	5 - 9	V456-000130	6 - 4	X505-002310	5 - 22
C635-000000	6 - 21	V470-000860	4 - 7	X547-001670	5 - 21
C644-000060	6 - 11	V471-001240	3 - 21	100015-00120	1 - 15
C644-000070	6 - 12	V471-002310	4 - 11	100215-03930	1 - 25
C651-000020	6 - 15	V471-002320	4 - 14	123112-40630	10 - 12
E100-000080	5 - 7	V475-004400	4 - 16	123122-05560	10 - 16
E103-000670	5 - 11	V485-001170	2 - 5	123123-03930	10 - 18
E103-000680	5 - 5	V485-001180	1 - 29	123126-10631	10 - 14
E104-000100	6 - 6	V485-001190	1 - 30	123137-19830	10 - 15

Index

Parts Number	Key No.	Parts Number	Key No.	Parts Number	Key No.
123138-03930	10 - 17				
123139-05560	10 - 19				
123140-27230	10 - 20				
123142-03930	10 - 24				
123143-12110	10 - 8				
123144-44330	10 - 25				
123149-54230	10 - 6				
123172-45130	10 - 5				
123173-07930	10 - 7				
123181-39130	3 - 10				
131004-55530	4 - 3				
131016-55830	4 - 4				
131051-56030	4 - 5				
131328-40630	4 - 13				
131911-03460	3 - 19				
132013-09820	4 - 9				
132013-26630	4 - 15				
132115-55930	4 - 8				
156112-40630	1 - 7				
159011-03432	2 - 6				
159012-03433	2 - 7				
177227-42030	2 - 23				
177228-11620	2 - 24				
177236-61830	2 - 15				
178121-43230	5 - 23				
305812-08260	7 - 9				
613019-07350	2 - 39				
613019-07350	5 - 18				
613019-07350	6 - 9				
613019-07350	6 - 19				
890118-04262	8 - 10				
890332-52730	3 - 22				
895410-39131	8 - 11				
900323-03014	1 - 19				
900519-00010	2 - 3				
900519-00010	5 - 8				
900562-50005	6 - 17				
91545-03014	7 - 2				
92501-09500	8 - 9				
94032-36302	1 - 24				



YAMABIKO CORPORATION

7-2 SUEHIROCHO 1-CHOME, OHME, TOKYO 198-8760, JAPAN
PHONE: 81-428-32-6118. FAX: 81-428-32-6145.

ECHO[®]

