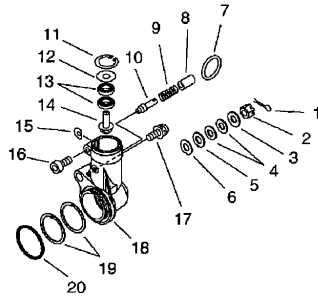


HCAA-2402A

PartsList Master - -

Page 1 of 2

Gear Case



HCAA-2402A

PartsList Master - -

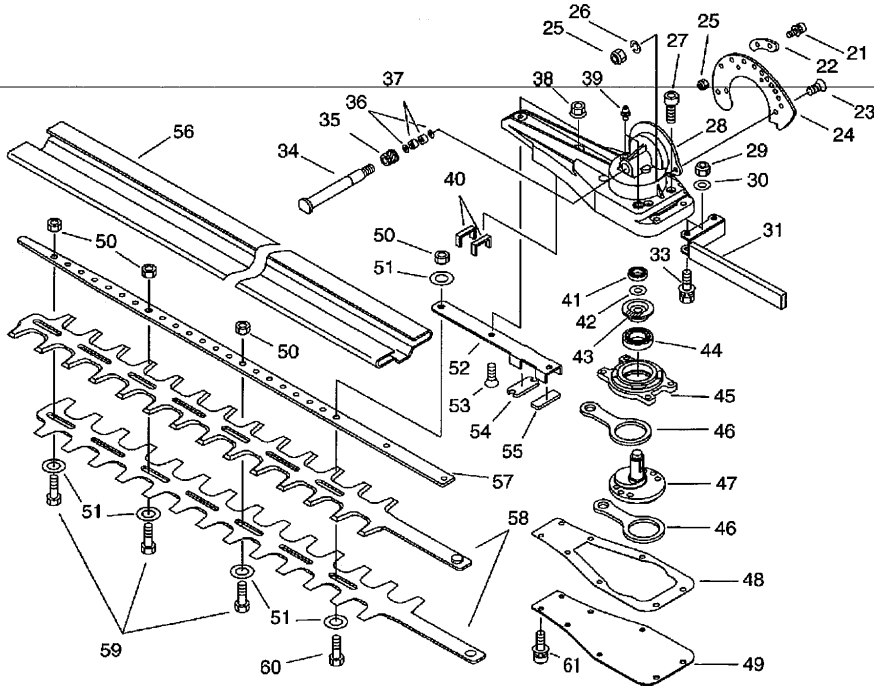
Page 2 of 2

Gear Case

| Key | Lv | Part no. | Part description | Quantity |
|-----|----|--------------|--------------------|----------|
| | | P021-010520 | CASE ASY, GEAR | 1 |
| 1 | + | 93000-16180 | PIN SPLIT | 1 |
| 2 | + | 900529-00008 | NUT, SLOTT 8 | 1 |
| 3 | + | V306-000140 | WASHER,CIRCULAR 8 | 1 |
| 4 | + | V347-000010 | WASHER,CONICAL | 2 |
| 5 | + | V340-000110 | WASHER | 1 |
| 6 | + | V110-000040 | GASKET,GEAR CASE | 1 |
| 7 | + | V583-000050 | RING | 1 |
| 8 | + | V355-000310 | COLLAR,8 | 1 |
| 9 | + | V450-000420 | SPRING,COMPRESSION | 1 |
| 10 | + | V642-000020 | PIN,LINCH | 1 |
| 11 | + | 900702-00022 | CIRCLIP 22 | 1 |
| 12 | + | V583-000060 | RING | 1 |
| 13 | + | 900859-06900 | BEARING, BALL 6900 | 2 |
| 14 | + | V651-000240 | GEAR,BEVEL | 1 |
| 15 | + | V340-000170 | WASHER | 1 |
| 16 | + | 900162-05025 | BOLT, H.S. 5*25 | 1 |
| 17 | + | 900242-05012 | SCREW 5*12 | 1 |
| 18 | + | C531-000292 | CASE,GEAR | 1 |
| 19 | + | V340-000120 | WASHER | 2 |
| 20 | + | 900724-00032 | O-RING | 1 |

HCAA-2402A

Gear Case Cutter



Gear Case Cutter

| Key | Lv | Part no. | Part description | Quantity |
|-----|----|--------------|---------------------|----------|
| 21 | + | 900162-04012 | BOLT, H.S. 4*12 | 2 |
| 22 | + | C629-000020 | STOPPER, ROTATION | 1 |
| 23 | + | 900212-04012 | SCREW 4*12 | 2 |
| 24 | + | C465-000010 | RESETTER, LATCH | 1 |
| 25 | + | 900560-00004 | LOCKNUT | 4 |
| 26 | + | 900605-00004 | WASHER, SPRING 4 | 2 |
| 27 | + | 900105-05008 | BOLT, H.S. 5*8 | 4 |
| 28 | + | C531-000302 | CASE, GEAR | 1 |
| 29 | + | 900560-00005 | NUT, LOCK 5 | 2 |
| 30 | + | 900600-00005 | WASHER 5 | 2 |
| 31 | + | E155-000050 | HANDLE | 1 |
| 33 | + | 900142-05028 | BOLT 5*28 (W/W,SW) | 2 |
| 34 | + | C534-000260 | SHAFT, GEAR | 1 |
| 35 | + | V651-000250 | GEAR, BEVEL | 1 |
| 36 | + | V307-000150 | WASHER, CIRCULAR 10 | 2 |
| 37 | + | V555-000040 | BEARING, NEEDLE 10 | 2 |
| 38 | + | 900516-00005 | NUT, FRANGE 5 | 2 |
| 39 | + | 880110-10860 | NIPPLE, GREASE | 2 |
| 40 | + | V541-000130 | SEAL | 2 |
| 41 | + | 900855-06900 | BEARING, BALL 6900 | 1 |

HCAA-2402A

PartsList Master - -

Page 2 of 3

| | | | | |
|----|---|--------------|--------------------|---|
| 42 | + | V583-000040 | RING | 1 |
| 43 | + | V651-000260 | GEAR,BEVEL | 1 |
| 44 | + | 900800-06001 | BEARING, BALL 6001 | 1 |
| 45 | + | C503-000072 | HOLDER,BEARING | 1 |
| 46 | + | C532-000140 | ROD, CONNECTING | 2 |
| 47 | + | C533-000041 | CAM | 1 |
| 48 | + | V110-000051 | GASKET, GEAR CASE | 1 |
| 49 | + | C539-000010 | LID,GEARCASE | 1 |
| 50 | + | 433022-06460 | NUT | 4 |
| 51 | + | 699118-04560 | WASHER | 5 |
| 52 | + | C538-000120 | GUIDE,CUTTER | 1 |
| 53 | + | 900212-05020 | SCREW 5*20 | 2 |
| 54 | + | C538-000110 | GUIDE,CUTTER | 1 |
| 55 | + | C538-000100 | GUIDE,CUTTER | 1 |
| 56 | + | X495-000060 | SCABBARD, BLADE | 1 |
| 57 | + | X425-000220 | SUPPORT,CUTTER | 1 |

HCAA-2402A

PartsList Master - -

Page 3 of 3

Gear Case Cutter

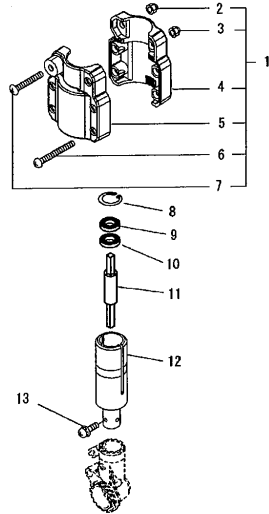
| Key | Lv | Part no. | Part description | Quantity |
|-----|----|--------------|------------------|----------|
| 58 | + | X411-000350 | CUTTER | 2 |
| 59 | + | 699115-04660 | BOLT 6 | 3 |
| 60 | + | 699115-07760 | BOLT, CUTTER | 1 |
| 61 | + | 900162-04014 | BOLT, H.S. 4*14 | 6 |

HCAA-2402A

PartsList Master - -

Page 1 of 2

Connector



Connector

| Key | Lv | Part no. | Part description | Quantity |
|-----|----|--------------|-------------------|----------|
| 1 | | 610295-22260 | COLLAR, MAIN PIPE | 1 |
| 2 | + | 900031-00100 | LOCKNUT | 1 |
| 3 | + | 900031-50100 | LOCKNUT | 5 |
| 4 | + | 610282-22360 | COLLAR, MAIN PIPE | 1 |
| 5 | + | 610282-22460 | COLLAR, MAIN PIPE | 1 |
| 6 | + | 900053-00400 | SCREW | 5 |
| 7 | + | 900065-00300 | SCREW, TRUSS | 1 |

<https://plst.yamabiko-corp.co.jp/PartsList/PartsListExhibit/plmG0570.html?ASSYNO=H...> 22/08/2011

HCAA-2402A

PartsList Master - -

Page 2 of 2

| | | | | |
|----|--|--------------|------------------|---|
| 8 | | 900702-00032 | CIRCLIP 32 | 1 |
| 9 | | 94054-06201 | BEARING, BALL | 1 |
| 10 | | 94050-06201 | BEARING, BALL | 1 |
| 11 | | C574-000000 | CONNECTOR, POLE | 1 |
| 12 | | C505-000230 | CONNECTOR, SHAFT | 1 |
| 13 | | 900242-05010 | SCREW 5*10 | 1 |

<https://plist.yamabiko-corp.co.jp/PartsList/PartsListExhibit/plmG0570.html?ASSYNO=H...> 22/08/2011

