



PARTS CATALOG
Pro Attachment Series

999442-00890
Blower
Attachment



SERIAL NUMBER
NÚMERO DE SERIE

35001001-35999999

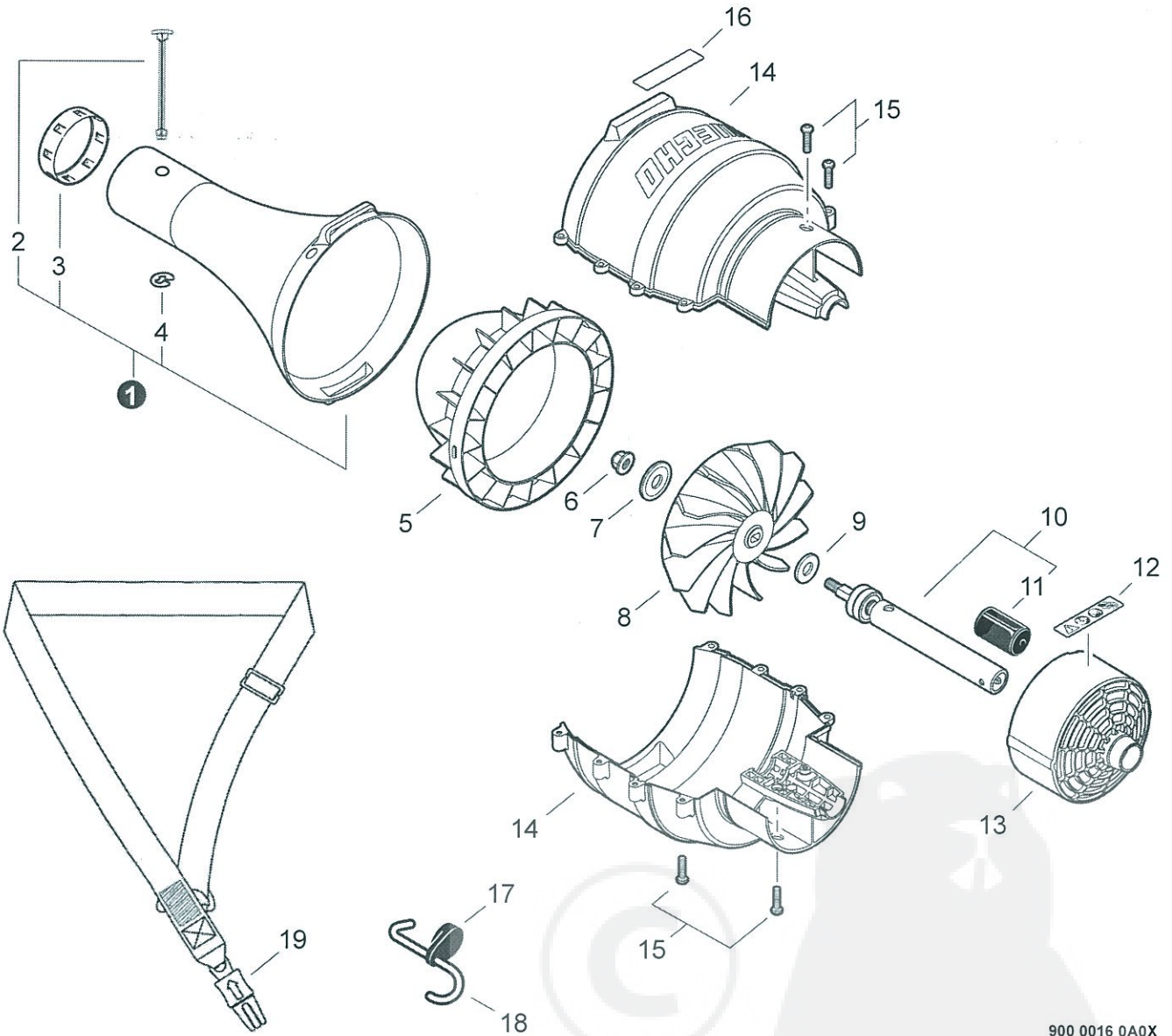
ECHO, INCORPORATED

400 Oakwood Road, Lake Zurich, Illinois 60047

WWW.ECHO-USA.COM

©2012 ECHO, Incorporated. All Rights Reserved

P/N 99922201393
REVISED 02/07/12



900 0016 0A0X

| NO. | PART NUMBER | QTY. | DESCRIPTION |
|-----|-------------|------|-------------------|
| 1 | E165000640 | 1 | ASSY, BLOWER TUBE |
| 2 | E178000080 | 1 | +GUARD, TUBE |
| 3 | E167000000 | 1 | +GUARD |
| 4 | V583000080 | 1 | +E-RING |
| 5 | M106001050 | 1 | GUIDE, AIR |
| 6 | 9210808000 | 1 | NUT, FLANGE |
| 7 | 10014319830 | 1 | WASHER 8.2×31×0.8 |
| 8 | E100000250 | 1 | FAN |
| 9 | V309000140 | 1 | WASHER |
| 10 | P021037480 | 1 | ASSY, MAIN PIPE |
| 11 | 35122301130 | 1 | +CAP, MAIN PIPE |

| NO. | PART NUMBER | QTY. | DESCRIPTION |
|-----|-------------|------|-------------------------|
| 12 | X505002080 | 1 | LABEL, CAUTION - ISO |
| 13 | E104000200 | 1 | SHIELD, DEBRIS |
| 14 | E103000990 | 2 | COVER, FAN |
| 15 | V805000010 | 10 | BOLT, TORX 5×20 |
| 16 | X547002280 | 1 | LABEL, MODEL PAS BLOWER |
| 17 | C525000010 | 1 | CAP, MAIN PIPE |
| 18 | C649000121 | 1 | HANGER, ATTACHMENT |
| 19 | C062000100 | 1 | HARNES, SHOULDER |