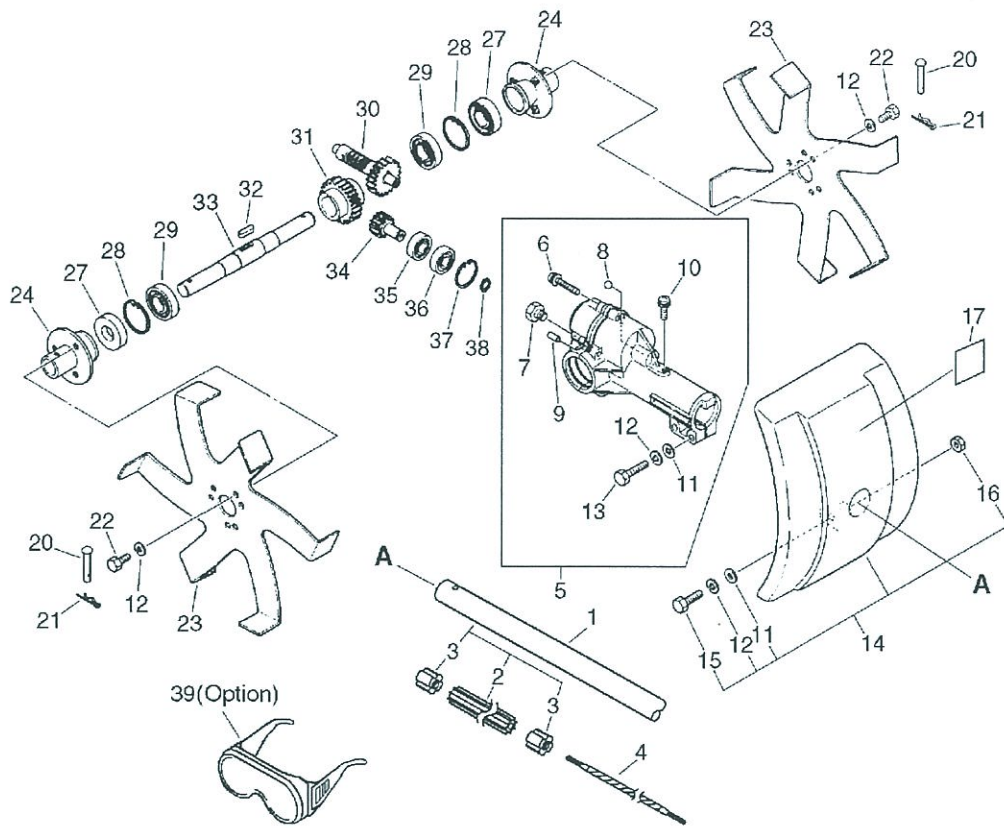


SBSRAC-SRM(PAS-Tiller Cultivator), 35001321-, Gear Case, Shield, Blade  
P014-000310-10Hb, 2010/05/31



SBSRAC-SRM(PAS-Tiller Cultivator), 35001321-, Gear Case, Shield, Blade  
 P014-000310-10Hb, 2010/05/31

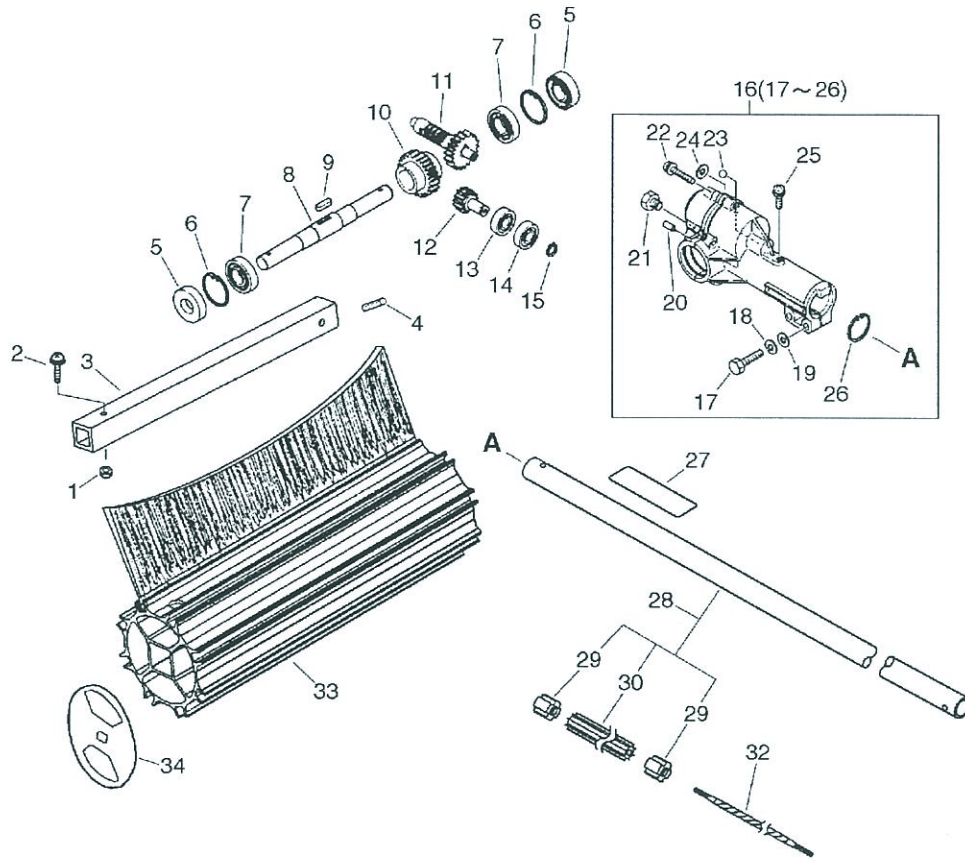
Key	Lv	Part no.	Part description	Quantity	Note1	Note2
1		610206-62130	"PIPE, MAIN"	1		
2	+	610217-52630	LINER, FLEXIBLE	1		
3	+	610246-44730	STOPPER	2		
4		C506-000002	SHAFT,FLEXIBLE	1		
5		605401-12050	CASE, GEAR	1		
6	+	900242-04025	SCREW 4*25	5		
7	+	610434-50031	BOLT 8* 8	1		
8	+	900731-01004	BALL, STEEL 1/4	1		
9	+	605430-11050	PIN, DOWEL	2		
10	+	900242-05014	SCREW 5*14	1		
11	+	900600-00006	WASHER 6	2		
12	+	900605-00006	WASHER, SPRING 6	2		
13	+	900100-06025	BOLT 6*25	2		
14		694000-12050	COVER ASY, ROTOR	1		
11	+	900600-00006	WASHER 6	1		
12	+	900605-00006	WASHER, SPRING 6	1		
15	+	900100-06020	BOLT 6*20	1		
16	+	900500-00006	NUT 6	1		
17		890160-25560	LABEL, CAUTION	1		
12		900605-00006	WASHER, SPRING 6	2		
20		605611-11050	PIN	2		
21		605612-11050	CLIP, PIN	2		
12		900605-00006	WASHER, SPRING 6	6		
22		900100-06010	BOLT 6*10	6		
23		690010-11050	BLADE (BL)	2		
24		605610-11050	HUB, BLADE (BL)	2		
27		605416-11050	OILSEAL	2		
28		900702-00030	CIRCLIP 30	2		
29		900855-06903	BEARING, BALL 6903	2		
30		605313-11050	GEAR, WORM	1		
31		605315-11050	WHEEL, WORM	1		
32		900325-04015	KEY, FEATHER 4*15	1		
33		605314-11050	SHAFT, WORM WHEEL	1		
34		605310-11050	GEAR, DRIVE	1		
35		900800-00609	BEARING, BALL 609	1		
36		900803-00609	BEARING, BALL 609	1		

SBSRAC-SRM(PAS-Tiller Cultivator), 35001321-, Gear Case, Shield, Blade  
P014-000310-10Hb, 2010/05/31

Key	Lv	Part no.	Part description	Quantity	Note1	Note2
37		900702-00025	CIRCLIP 25	1		
38		900706-00009	CIRCLIP 9	1		



PAS-PS(PAS-ProSweep), 000023488-, Main Pipe , Gear Case, Brush  
P014-000300-10Hb, 2010/05/31





PAS-PS(PAS-ProSweep), 000023488-, Main Pipe , Gear Case, Brush  
 P014-000300-10Hb, 2010/05/31

Key	Lv	Part no.	Part description	Quantity	Note1	Note2
		601400-24960	CASE,GEAR	1		
1		900560-00005	NUT, LOCK 5	2		
2		900220-05030	SCREW 5*30	2		
3		C517-000070	COUPLING, SHAFT	2		
4		404523-25560	PIN,STRAIGHT	2		
5		605416-11050	OILSEAL	2		
6		900702-00030	CIRCLIP 30	2		
7		900855-06903	BEARING, BALL 6903	2		
8		605314-25560	SHAFT, WORM WHEEL	1		
9		900325-04015	KEY, FEATHER 4*15	1		
10		605315-11050	WHEEL, WORM	1		
11		605313-11050	GEAR, WORM	1		
12		605310-11050	GEAR, DRIVE	1		
13		900800-00609	BEARING, BALL 609	1		
14		900803-00609	BEARING, BALL 609	1		
15		900706-00009	CIRCLIP 9	1		
16		605401-12050	CASE, GEAR	1		
17	+	900100-06025	BOLT 6*25	2		
18	+	900605-00006	WASHER, SPRING 6	2		
19	+	900600-00006	WASHER 6	2		
20	+	605430-11050	PIN, DOWEL	2		
21	+	900100-08008	BOLT 8*8	1		
22	+	900242-04025	SCREW 4*25	5		
23	+	900731-01004	BALL, STEEL 1/4	1		
24	+	605324-11050	WASHER	1		
25	+	900242-05014	SCREW 5*14	1		
26	+	900702-00025	CIRCLIP 25	1		
27		890160-25560	LABEL, CAUTION	1		
28		610206-25662	PIPE, MAIN	1		
29	+	610246-44730	STOPPER	2		
30	+	610217-52630	LINER, FLEXIBLE	1		
30	+	C507-000240	LINER, FLEXIBLE	1		
32		C506-000002	SHAFT,FLEXIBLE	1		
33		P021-007010	BRUSH KIT	1		
34		250230-25561	CAP,HOLDER	2		