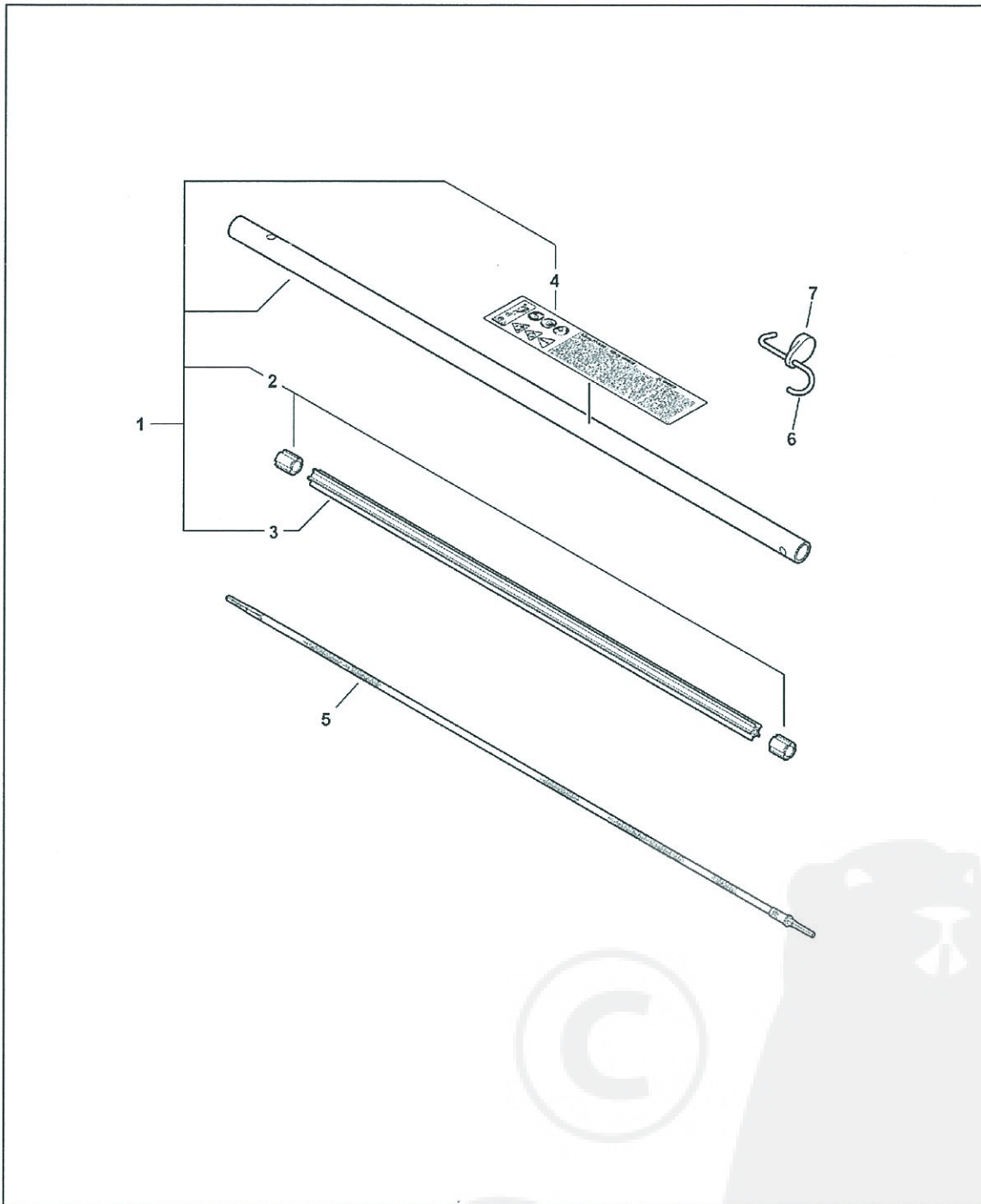


PAS-PROSWEEP(99442-00853), -1--1, Main Pipe Assembly, Flexible Driveshaft
PAS-PROSWEEP(99442-00853), 2008/11/28

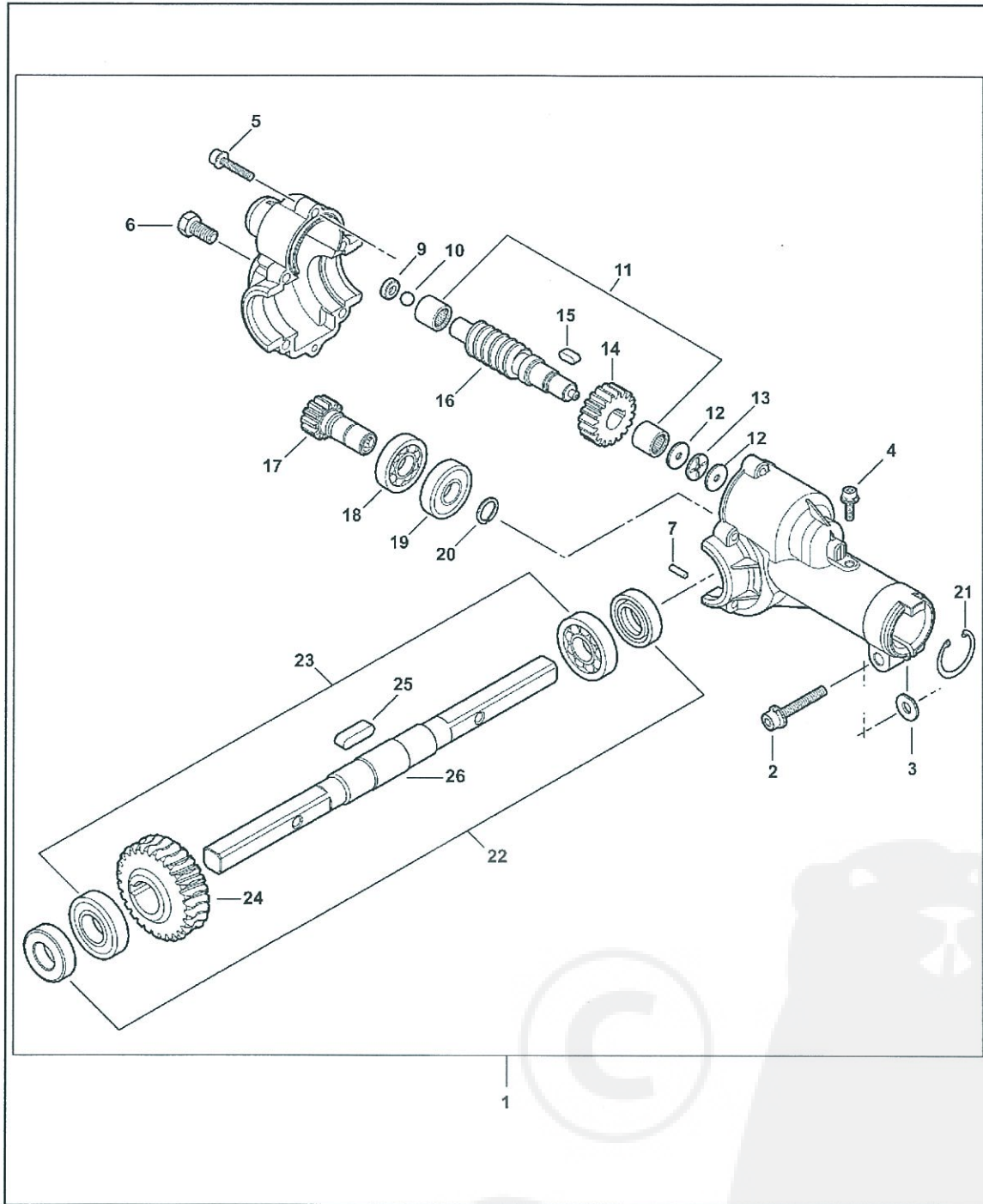


PAS-PROSWEEP(99442-00853), -1--1, Main Pipe Assembly, Flexible Driveshaft
PAS-PROSWEEP(99442-00853), 2008/11/28

Key	Lv	Part no.	Part description	Quantity	Note1	Note2
1		C050-001420	PIPE, MAIN	1		
2	+	610246-44730	STOPPER	2		
3	+	C507-000240	LINER, FLEXIBLE	1		
4	+	890160-25560	LABEL, CAUTION	1		
5		C506-000002	SHAFT,FLEXIBLE	1		
6		C649-000120	HOOK	1		
7		C525-000010	CAP,MAIN PIPE	1		



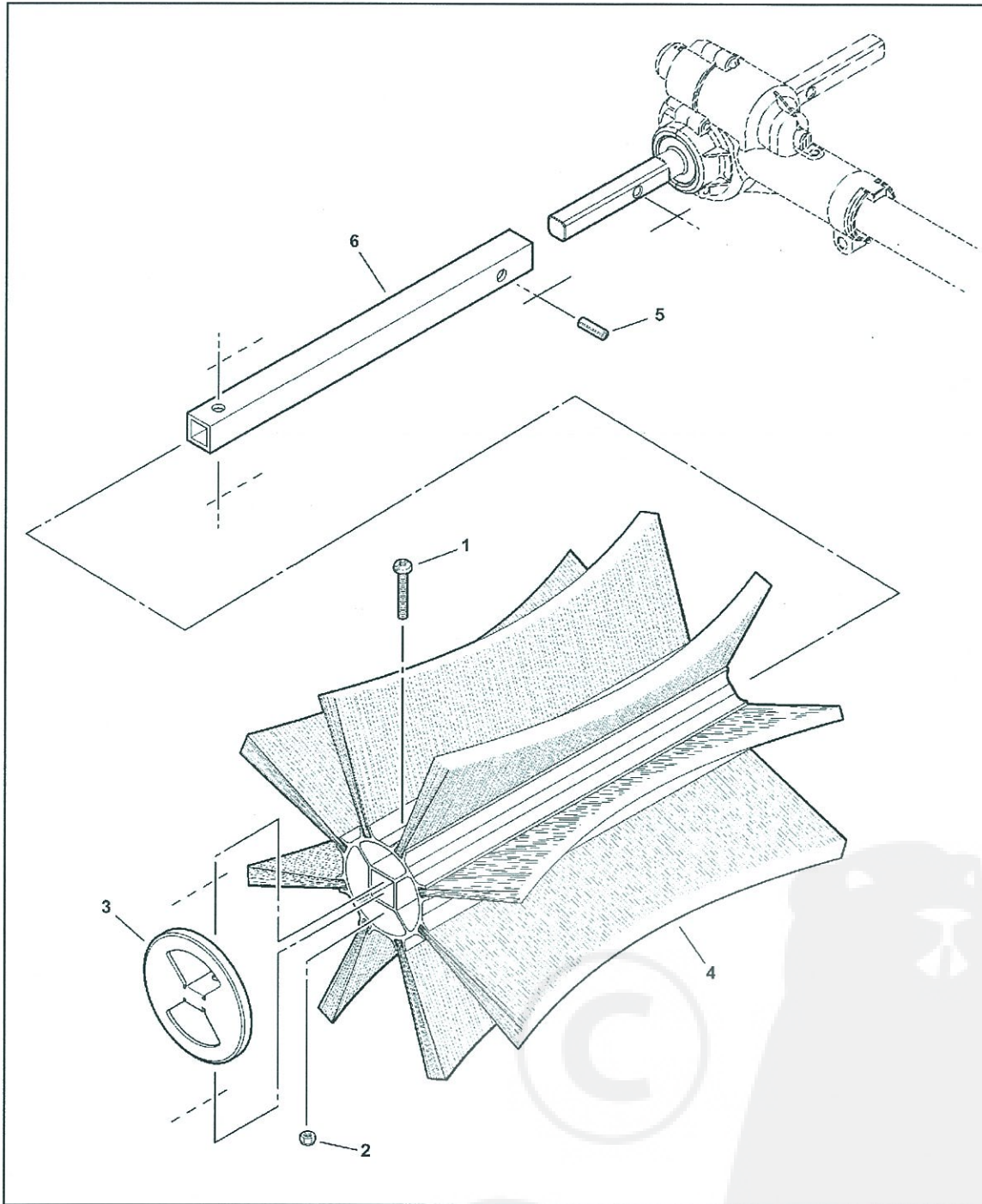
PAS-PROSWEEP(99442-00853), -1--1, Gear Case
PAS-PROSWEEP(99442-00853), 2008/11/28



PAS-PROSWEEP(99442-00853), -1--1, Gear Case
 PAS-PROSWEEP(99442-00853), 2008/11/28

Key	Lv	Part no.	Part description	Quantity	Note1	Note2
1		C051-000300	CASE,GEAR	1		
2	+	900162-06030	BOLT, H.S. 6*30	1		
3	+	V340-000220	WASHER	1		
4	+	900162-05012	BOLT, H.S. 5*12	1		
5	+	900162-05020	BOLT, H.S. 5*20	5		
6	+	900100-08010	BOLT 8*10	1		
7	+	V622-000030	PIN,STRAIGHT 4	1		
9	+	V376-001040	SPACER	1		
10	+	V585-000030	BALL	1		
11	+	V555-000060	BEARING,NEEDLE 10	2		
12	+	V340-000230	WASHER	2		
13	+	V590-000010	BEARING,THRUST	1		
14	+	V650-000380	GEAR,SPUR	1		
15	+	V381-000010	KEY,WOODRUFF	1		
16	+	V652-000060	GEAR,WORM	1		
17	+	V650-000370	GEAR,SPUR	1		
18	+	900855-06901	BEARING, BALL 6901	1		
19	+	900857-06901	BEARING, BALL 6901	1		
20	+	900706-00012	CIRCLIP 12	1		
21	+	610335-21460	RING, RETAINING	1		
22	+	605416-11050	OILSEAL	2		
23	+	94003-06003	BEARING, BALL	2		
24	+	V653-000000	GEAR,WORM WHEEL	1		
25	+	V381-000000	KEY,WOODRUFF	1		
26	+	C534-000490	SHAFT, GEAR	1		

PAS-PROSWEEP(99442-00853), -1--1, Brush
PAS-PROSWEEP(99442-00853), 2008/11/28



PAS-PROSWEEP(99442-00853), -1--1, Brush
PAS-PROSWEEP(99442-00853), 2008/11/28

Key	Lv	Part no.	Part description	Quantity	Note1	Note2
1		900220-05030	SCREW 5*30	2		
2		900560-00005	NUT, LOCK 5	2		
3		250230-25561	CAP,HOLDER	2		
4		250202-25662	BRUSH	2		
5		404523-25560	PIN,STRAIGHT	2		
6		C517-000070	COUPLING, SHAFT	2		

