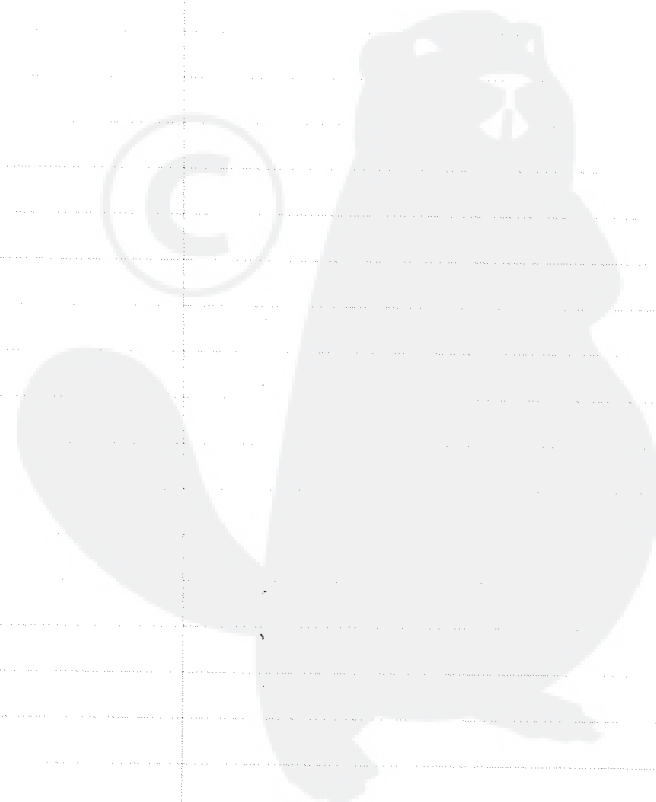




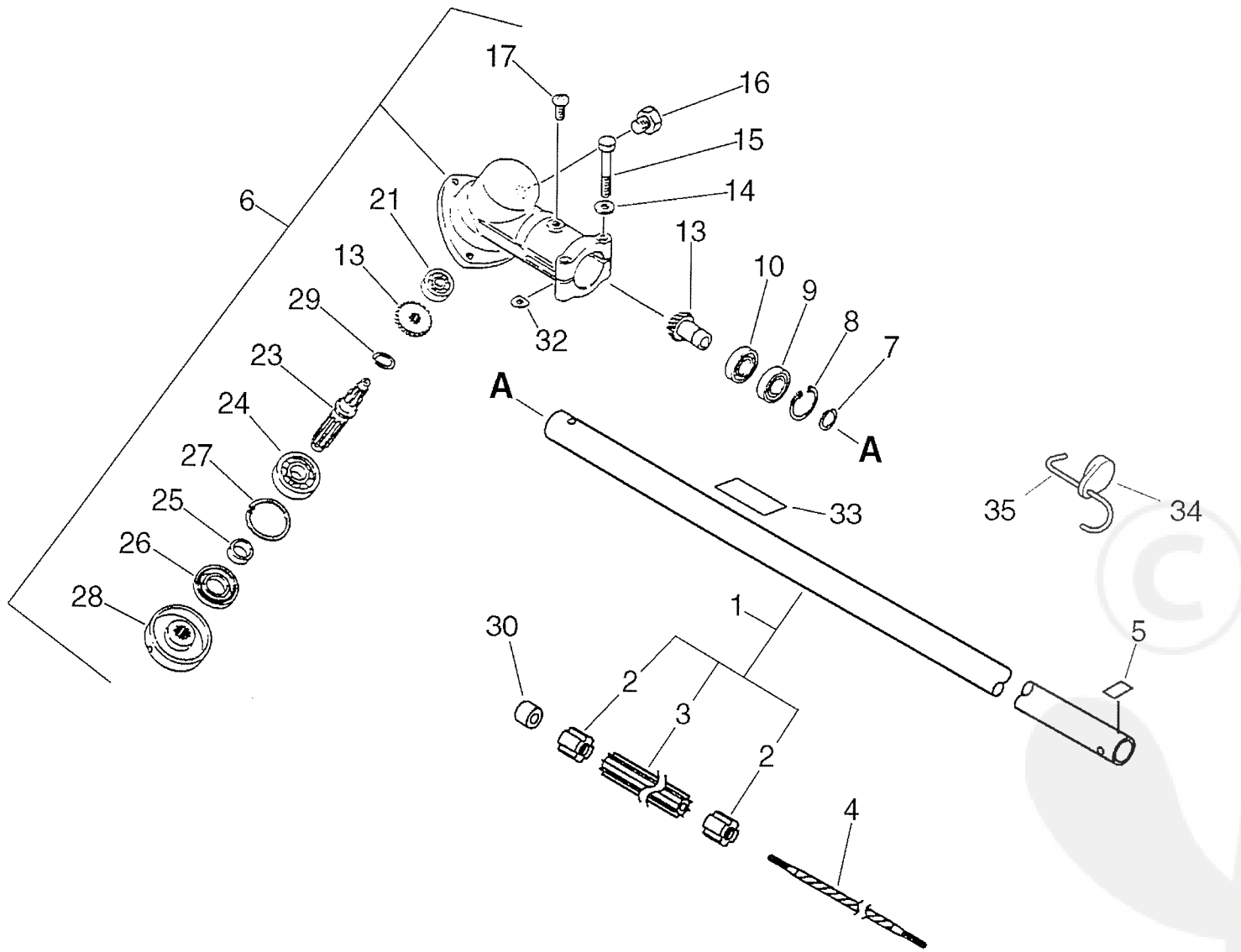
# P a r t s L i s t

Group:Pro Attachment Series Attachments Model:SBSRM-SRM(PAS-Trimmer) Section:Gear Case(Sr/Nr 35002301 and before) ( 1)

Key	Lv	Part Number	Q'ty	Description	Remarks	Note
1		610206-54130	1	HOUSING ASSY, D.SHFT	Sus. by C050-000200	
1		C050-000200	1	PIPE,MAIN		
2	+	610246-44730	2	STOPPER		
3	+	610217-52630	1	LINER, FLEXIBLE		
4		610013-56730	1	SHAFT, FLEXIBLE	Sus. by C506-000001	
4		C506-000000	1	SHAFT, FLEXIBLE	Sus. by C506-000001	
4		C506-000001	1	SHAFT, FLEXIBLE	Sus. by C506-000002	
5		890152-04930	1	LABEL, CAUTION		
6		610402-47731	1	HOUSING ASSY, GEAR	Sus. by 610402-47732	
6		610402-47732	1	HOUSING ASSY, GEAR		
7	+	900706-00012	1	CIRCLIP 12		
8	+	900702-00022	1	CIRCLIP 22		
9	+	900858-06900	1	BEARING, BALL 6900Z		
10	+	900855-06900	1	BEARING, BALL 6900		
13	+	610300-44830	1	GEAR SET		
14	+	900600-00005	2	WASHER 5		
15	+	900100-05035	2	BOLT 5*35		
16	+	610434-50030	1	BOLT 8* 6	Sus. by 610434-50031	
16	+	610434-50031	1	BOLT 8* 8		
17	+	900242-05010	1	SCREW 5*10		
21	+	900800-00609	1	BEARING, BALL 609		
23	+	610360-08931	1	SHAFT, P.T.O.		
24	+	900810-06201	1	BEARING, BALL 6201		
25	+	610315-07130	1	SPACER		
26	+	610413-07130	1	OILSEAL		
27	+	900702-00032	1	CIRCLIP 32		
28	+	610313-47731	1	PLATE, ADAPTER (U)		
29	+	900706-00010	1	CIRCLIP 10		



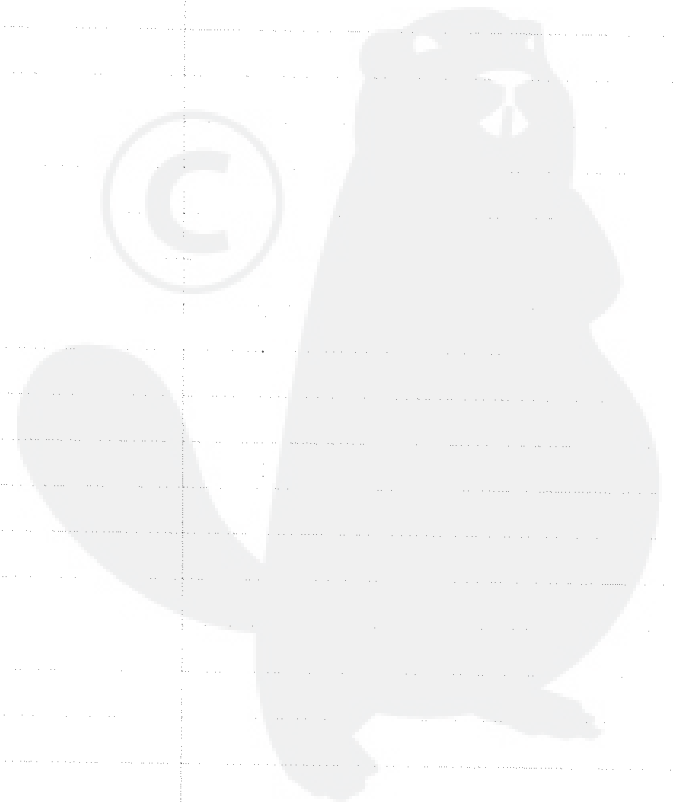


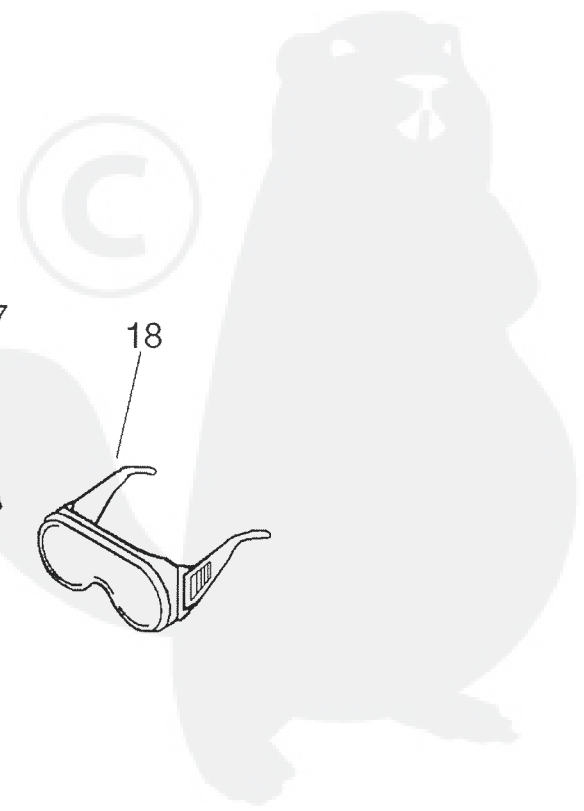
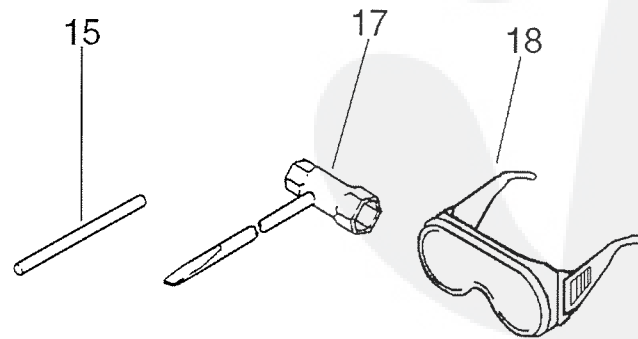
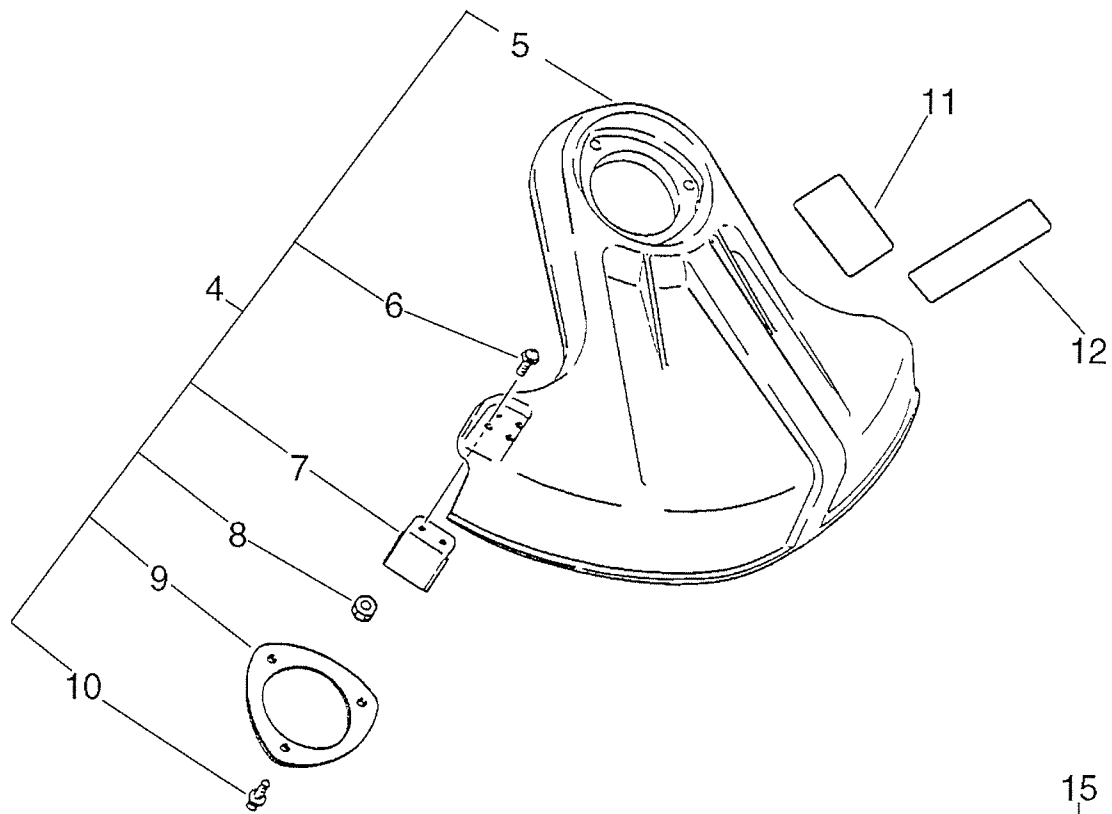


# P a r t s L i s t

Group:Pro Attachment Series Attachments Model:SBSRM-SRM(PAS-Trimmer) Section:Gear Case(Sr/Nr 35002302 and after) ( 2)

Key	Lv	Part Number	Q'ty	Description	Remarks	Note
1		C050-000200	1	PIPE,MAIN		
2	+	610246-44730	2	STOPPER		
3	+	610217-52630	1	LINER, FLEXIBLE		
4		C506-000002	1	SHAFT,FLEXIBLE		
6		610402-47732	1	CASE ASY, GEAR		
7	+	900706-00012	1	CIRCLIP 12		
8	+	900702-00022	1	CIRCLIP 22		
9	+	900858-06900	1	BEARING, BALL 6900Z		
10	+	900855-06900	1	BEARING, BALL 6900		
13	+	610300-44830	1	GEAR SET		
14	+	900600-00005	2	WASHER 5		
15	+	900100-05035	2	BOLT 5*35		
16	+	610434-50031	1	BOLT 8* 8		
17	+	900242-05010	1	SCREW 5*10		
20	+	610460-27431	1	HOUSING, GEAR		
21	+	900800-00609	1	BEARING, BALL 609		
23	+	610360-08931	1	SHAFT, P.T.O.		
24	+	900810-06201	1	BEARING, BALL 6201		
25	+	610315-07130	1	SPACER		
26	+	610413-07130	1	OILSEAL		
27	+	900702-00032	1	CIRCLIP 32		
28	+	610313-47731	1	PLATE, ADAPTER (U)		
29	+	900706-00010	1	CIRCLIP 10		
32	+	610239-04130	2	WASHER, SHIM		
33		890617-63630	1	LABEL, CAUTION		
34		C525-000010	1	CAP,MAIN PIPE	Sr/Nr 35002302 and after	
35		C649-000120	1	HOOK	Sr/Nr 35002302 and after	





# Parts List

Group:Pro Attachment Series Attachments Model:SBSRM-SRM(PAS-Trimmer) Section:Shield, Tools( 3)

Key	Lv	Part Number	Q'ty	Description	Remarks	Note
4		699000-40931	1	SHIELD ASSY		
5	+	699010-27231	1	SHIELD BLADE		
6	+	900238-05016	2	SCREW 5*16		
7	+	699016-44330	1	CUTTER		
8	+	900500-00005	2	NUT 5		
9	+	699018-40830	1	BRACKET, SHIELD	Sus. by C552-000110	
9	+	C552-000110	1	BRACKET, SHIELD		
10	+	900238-05016	3	SCREW 5*16		
11		890186-23760	1	LABEL, CAUTION		
12		890118-48830	1	LABEL, ECHO	Sus. by X502-000320	
15		897518-01131	1	LOCKING TOOL		
17		895410-08030	1	WRENCH, W/S. DRIVER	Sus. by X602-000020	
17		X602-000020	1	TOOL,WRENCH	Disuse	
18		899580-68730	1	SAFETY GLASSES		

