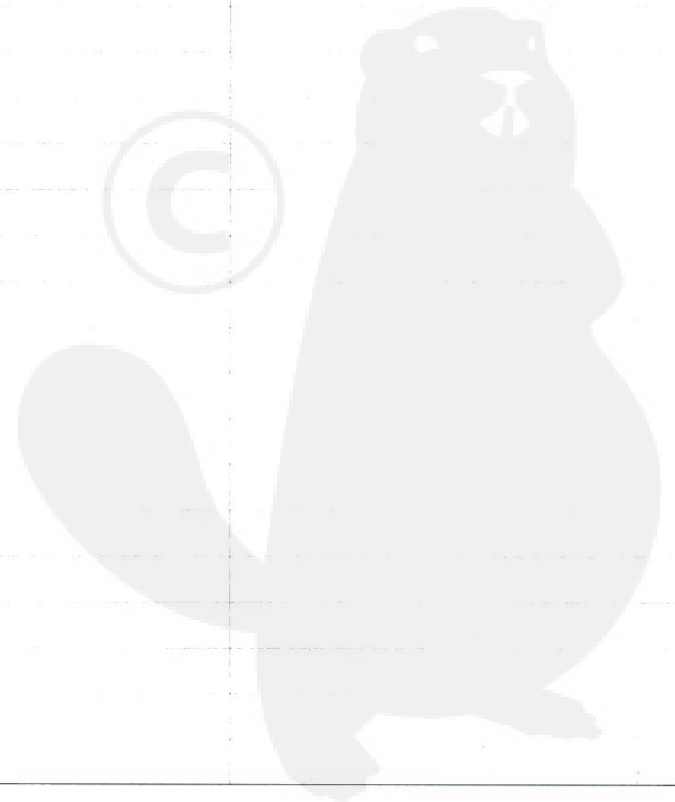


P a r t s L i s t

Group:Hedge Trimmers Model:HC-2400(6digits)(21)(35)(36) Section:Cylinder, Crankcase, Piston(1)

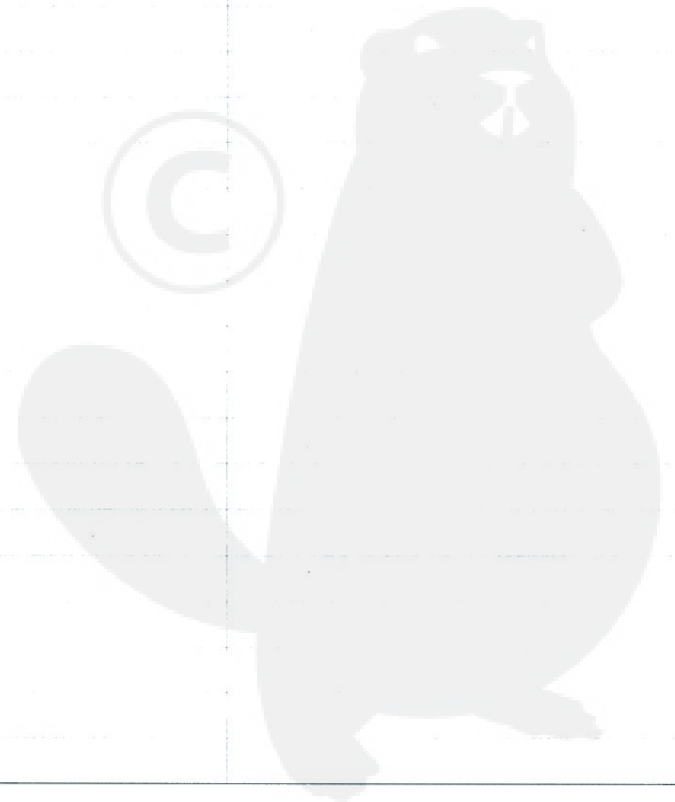
Key	Lv	Part Number	Q'ty	Description	Remarks	Note
4		100204-51030	1	CRANKCASE KIT	Sus. by 100204-51031	
4		100204-51031	1	CRANKCASE KIT	Sr/Nr 027572 and before	
4		100204-52130	1	CRANKCASE KIT	Sus. by 100204-52132	
4		100204-52131	1	CRANKCASE KIT	Sus. by 100204-52132	
4		100204-52132	1	CRANKCASE KIT	Sr/Nr 027573 and after	
5 +		100212-42030	2	OILSEAL	Sus. by 100212-42031	
5 +		100212-42031	2	OILSEAL		
6 +		900162-05028	3	BOLT, H.S. 5*28		
9 +		100215-03930	2	PIN, DOWEL		
7 +		900810-36201	2	BEARING, BALL 6201	Sus. by 94035-36201	
7 +		94035-36201	2	BEARING, BALL		
8 +		100242-42030	1	GASKET, CRANKCASE		
10		100100-08960	1	CRANKSHAFT ASSY	Sr/Nr 009000 and before	
11 +		100012-51230	1	BEARING, NEEDLE	Sr/Nr 009000 and before	
10		100105-08961	1	CRANKSHAFT	Sr/Nr 009001 to 031973	
10		100100-09760	1	CRANKSHAFT ASSY	Sus. by 100100-09764	
10		100100-09761	1	CRANKSHAFT	Sus. by 100100-09764	
10		100100-09762	1	CRANKSHAFT	Sus. by 100100-09764	
10		100100-09763	1	CRANKSHAFT	Sus. by 100100-09764	
10		100100-09764	1	CRANKSHAFT	Sr/Nr 031974 and after	
12		100000-52130	1	PISTON KIT	Sr/Nr 009000 and before	
12		100000-08960	1	PISTON KIT	Sus. by 100000-08963	
12		100000-08962	1	PISTON KIT	Sus. by 100000-08963	
12		100000-08963	1	PISTON KIT	Sr/Nr 009001 and after	
11 +		100113-05930	1	BEARING, NEEDLE	Sr/Nr 009001 and after	
13 +		100014-11520	1	SPACER, PISTON PIN	Sr/Nr 009000 and before	
13 +		100014-08960	1	SPACER, PISTON PIN	Sr/Nr 009001 and after	
15 +		100015-04630	2	CIRCLIP, PISTON PIN		

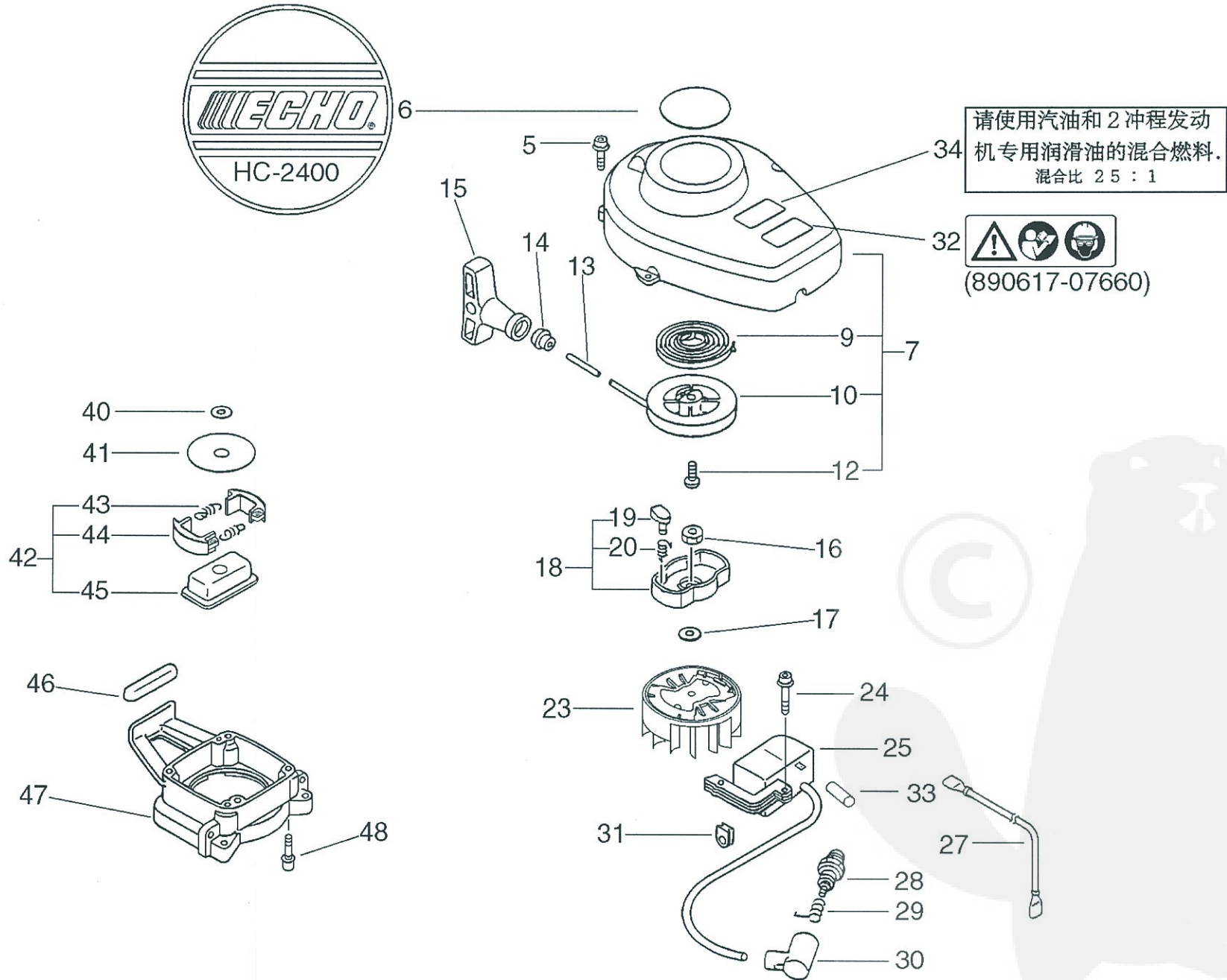


P a r t s L i s t

Group:Hedge Trimmers Model:HC-2400(6digits)(21)(35)(36) Section:Cylinder, Crankcase, Piston(1)

Key	Lv	Part Number	Q'ty	Description	Remarks	Note
16	+	100013-11520	1	PIN, PISTON		
17	+	100011-21230	1	RING, PISTON	Sr/Nr 009000 and before	
17	+	100011-09560	2	RING, PISTON	Sr/Nr 009001 and after	
18		101010-44330	1	GASKET, CYL. BASE	Sus. by 101010-44332	
18		101010-44331	1	GASKET, CYL. BASE	Sus. by 101010-44332	
18		101010-44332	1	GASKET, CYL. BASE		
19		101011-09560	1	CYLINDER	Sr/Nr 031973 and before	
19		101011-08960	1	CYLINDER (CR)	Sus. by 101003-08960	
21		101003-08960	1	CYLINDER PISTON KIT	Sr/Nr 031974 and after	
15	+	100015-04630	2	CIRCLIP, PISTON PIN		
17	+	100011-09560	2	RING, PISTON	Sr/Nr 009001 and after	
19	+	101011-08961	1	CYLINDER (CR)	Sr/Nr 036348 and after	
20		900162-05022	2	BOLT, H.S. 5*22		
25		101514-05960	1	COVER, CYLINDER	Sus. by 101514-08960	
25		101514-08960	1	COVER, CYLINDER		
26		900238-04022	2	SCREW 4*22	Sus. by 900162-04022	
26		900162-04022	2	BOLT, H.S. 4*22		





P a r t s L i s t

Group:Hedge Trimmers Model:HC-2400(6digits)(21)(35)(36) Section:Starter, Magneto, Clutch(2)

Key	Lv	Part Number	Q'ty	Description	Remarks	Note
5		900238-04016	4	SCREW 4*16	Sus. by 900163-04016	
5		900162-04016	4	BOLT, H.S. 4*16	Sr/Nr 35501001 and after	
5		900163-04016	4	BOLT HSH	Sr/Nr 35501000 and before	
6		890112-08961	1	LABEL, MODEL	Sus. by 890112-08962	
6		890112-08962	1	LABEL, MODEL		
7		177200-05962	1	STARTER ASSY		
9	+	177220-42030	1	SPRING, REWIND		
10	+	177215-05960	1	DRUM, STARTER		
12	+	177236-44330	1	SCREW		
13	+	177226-05960	1	ROPE, STARTER		
14	+	177227-42030	1	GUIDE, ROPE		
15	+	177228-06530	1	GRIP, STARTER		
16		900512-00008	1	NUT 3N 8 (L-H)		
17		900600-00008	1	WASHER 8		
18		177202-07360	1	PAWL ASSY, STARTER	Sus. by 177202-07361	
18		177202-07361	1	PAWL ASSY, STARTER		
19	+	177218-44330	1	PAWL, STARTER		
20	+	177234-05960	1	SPRING, RETURN	Sus. by P022-007980	
20	+	P022-007980	1	SPRING, RETURN		
23		156801-44730	1	FLYWHEEL	Sus. by 156801-12360	
23		156801-44731	1	FLYWHEEL	Sus. by 156801-12360	
23		156801-09660	1	FLYWHEEL	Sus. by set of 156601-52130 and 156801-12360	
23		156801-12360	1	ROTOR, MAGNETO	Sr/Nr 037100 and before	
23		A409-000000	1	ROTOR, MAGNETO	Sr/Nr 037101 and after	
24		900162-04022	2	BOLT, H.S. 4*22		
25		156601-44730	1	COIL, IGNITION	Sus. by 156601-44731	
25		156601-44731	1	COIL, IGNITION	Sr/Nr 031973 and before	
25		156601-52130	1	COIL, IGNITION	Sr/Nr 031974 and after	

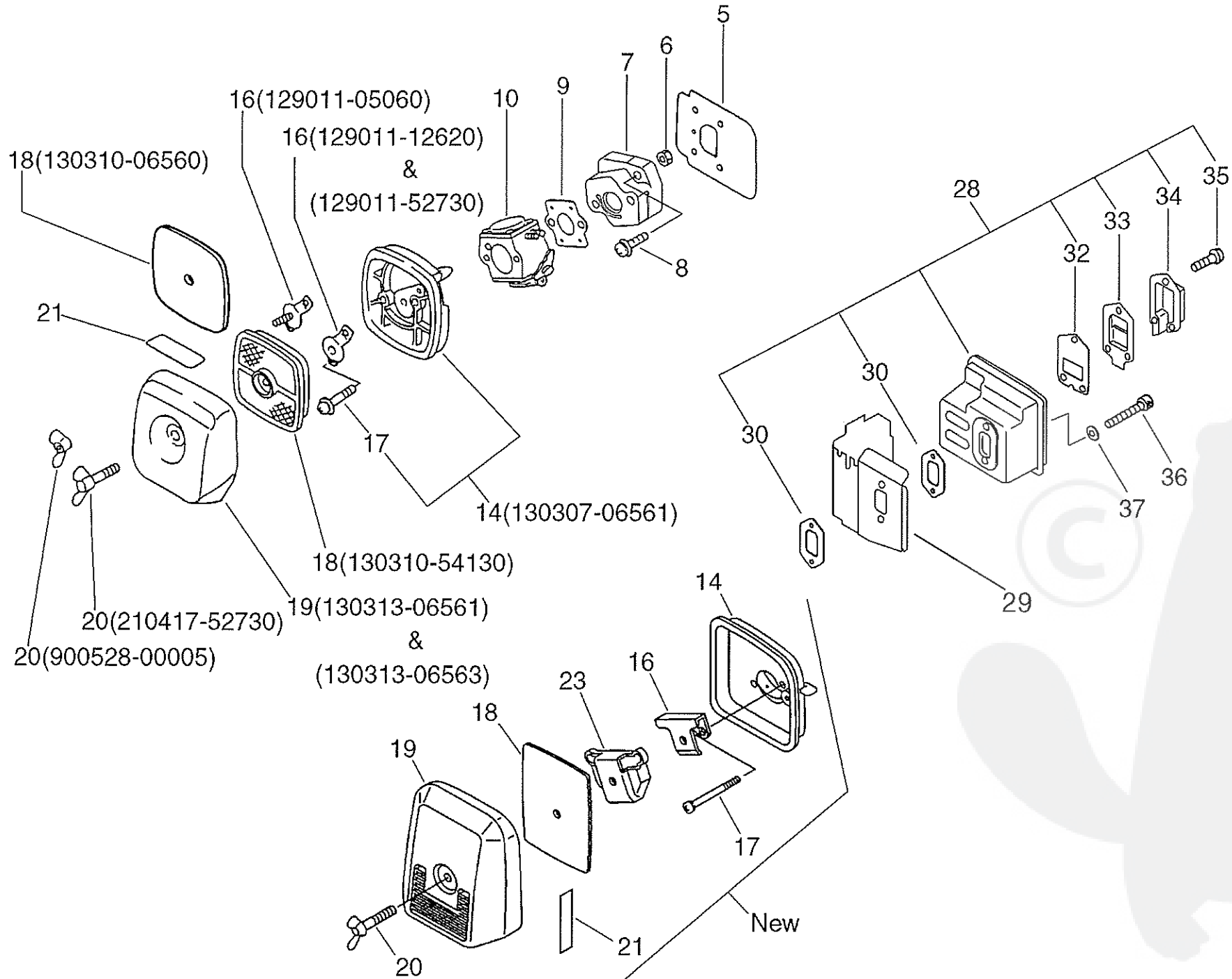


P a r t s L i s t

Group:Hedge Trimmers Model:HC-2400(6digits)(21)(35)(36) Section:Starter, Magneto, Clutch(2)

Key	Lv	Part Number	Q'ty	Description	Remarks	Note
25		156626-52730	1	COIL, IGNITION	Sus. by set of 156601-52130 and 156801-12360	
27		162021-52130	1	LEAD	Sus. by 162010-52830	
27		162010-52830	1	LEAD, GROUND		
28		159017-13930	1	PLUG, SPARK (CJ-7Y)	Sus. by 159010-10230	
28		159017-10230	1	PLUG, SPARK (RCJ-7Y)	Sus. by 159010-10230	
28		159010-10230	1	PLUG, SPARK (BPMR-7A		
29		159011-03432	1	COIL, SPARK PLUG CAP		
30		159012-01620	1	CAP, SPARK PLUG		
31		156110-04920	1	BUSHING		
32		890310-08960	1	LABEL, MODEL	Sus. by 890617-07660	
32		890617-12620	1	LABEL, CAUTION	Sus. by 890617-07660	
32		890617-07660	1	LABEL, CAUTION		
33		V475-001900	1	TUBE		
34		X505-001220	1	LABEL, CAUTION	CHINA	
40		175014-05360	1	WASHER, CLUTCH		
41		175019-04920	1	PLATE, CLUTCH		
42		175000-02961	1	CLUTCH ASSY	Sus. by 175000-02962	
42		175000-02962	1	CLUTCH ASSY		
43 +		175018-05130	2	SPRING, CLUTCH	Can be used on the 175000-02961 only	
43 +		175018-05960	2	SPRING, CLUTCH	Can be used on the 175000-02962 only	
44 +		175009-05131	1	SHOE, CLUTCH		
45 +		175016-07330	1	HUB, CLUTCH		
46		131920-28230	1	CUSHION, FUEL TANK		
47		610223-05960	1	CASE, CLUTCH		
48		900162-04016	4	BOLT, H.S. 4*16	Sr/Nr 35501001 and after	
48		900163-04016	4	BOLT HSH	Sr/Nr 35501000 and before	

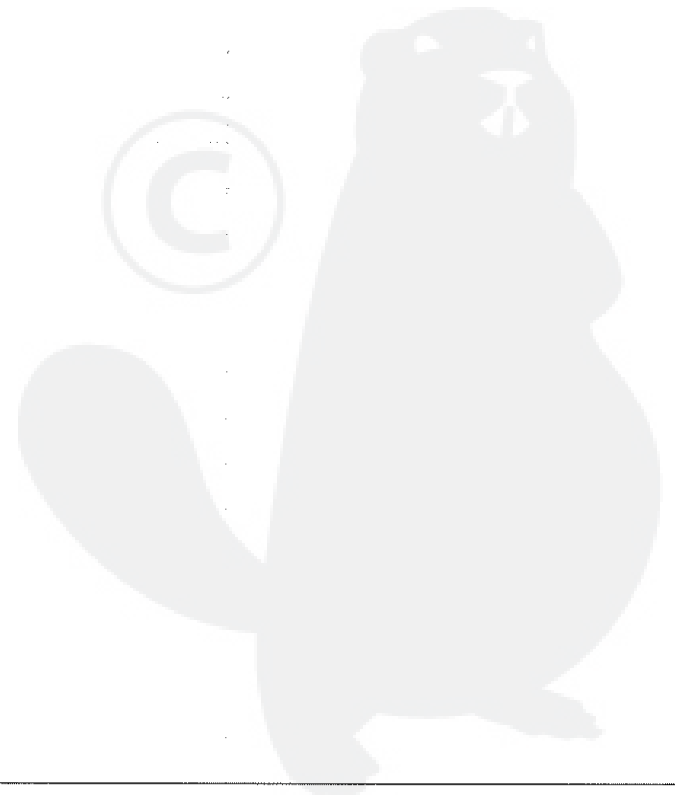




Parts List

Group:Hedge Trimmers Model:HC-2400(6digits)(21)(35)(36) Section:Air Cleaner, Muffler(3)

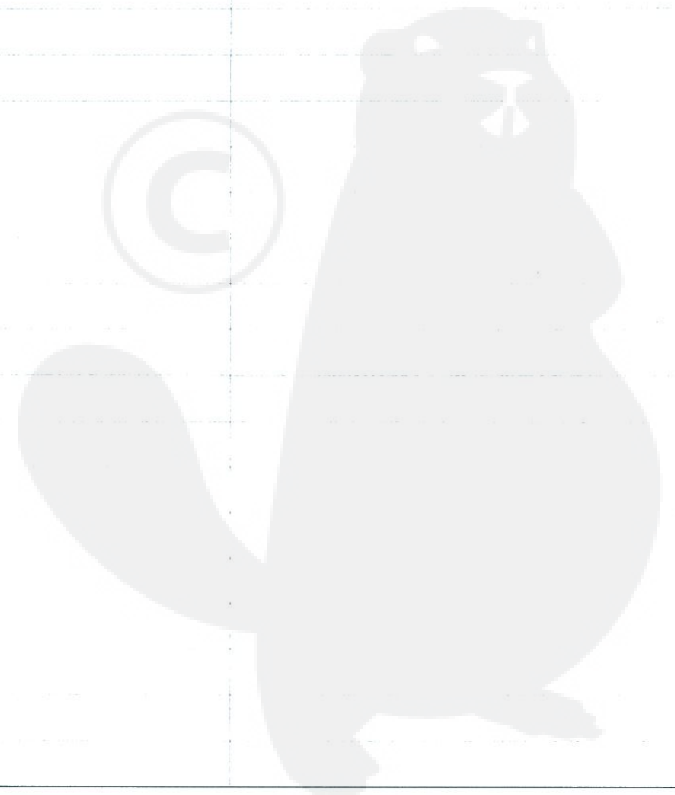
Key	Lv	Part Number	Q'ty	Description	Remarks	Note
5		130010-42031	1	GASKET	Sus. by 130010-42032	
5		130010-42032	1	GASKET, INTAKE		
6		900500-00005	2	NUT 5		
7		130017-42031	1	INSULATOR, INTAKE		
8		900238-05020	2	SCREW 5*20		
9		V103-000111	1	GASKET, INTAKE	Sr/Nr 35501000 and before	
9		130016-42031	1	GASKET, INTAKE	Sr/Nr 35501001 and after	
10		125200-08960	1	CARBURETOR ASSY	Sus. by 125200-08961	
10		125200-08961	1	CARBURETOR ASSY	Sr/Nr 009000 and before	
10		125200-08962	1	CARBURETOR ASSY	Sr/Nr 009001 to 031973	
10		125200-08460	1	CARBURETOR ASSY	Sus. by 125200-05964	
10		125200-05961	1	CARBURETOR C1U-K51	Sus. by 125200-05964	
10		125200-05962	1	CARBURETOR	Sus. by 125200-05964	
10		125200-05963	1	CARBURETOR	Sus. by 125200-05964	
10		125200-05964	1	CARBURETOR	Sr/Nr 031974 and after	
14		130307-06560	1	CASE, AIR CLEANER	Sus. by 130307-06561	
17		900242-05064	2	SCREW 5*64	Sr/Nr 009000 and before	
14		130307-06561	1	CASE, AIR CLEANER	Sr/Nr 038002 and before	
17	+	900242-05065	2	SCREW 5*65	Sr/Nr 009001 to 038002	
14		130307-09660	1	CASE ASSY, CLEANER	Sus. by 130307-09662	
14		130307-09662	1	CASE ASSY, CLEANER	Sr/Nr 038003 and after	
17		900242-05057	2	SCREW 5*57	Sr/Nr 038003 and after	
16		129011-05060	1	PLATE	Sr/Nr 009000 and before	
16		129011-12620	1	PLATE, PREVENT	Sr/Nr 009001 to 030799	
16		129011-52730	1	PLATE, PREVENT	Sr/Nr 030800 to 038002	
16		130422-09660	1	PLATE, PREVENT	Sr/Nr 038003 and after	
18		130310-06560	1	FILTER, AIR	Sr/Nr 009000 and before	
18		130310-54130	1	FILTER, AIR	Sr/Nr 009001 to 038002	



P a r t s L i s t

Group:Hedge Trimmers Model:HC-2400(6digits)(21)(35)(36) Section:Air Cleaner, Muffler(3)

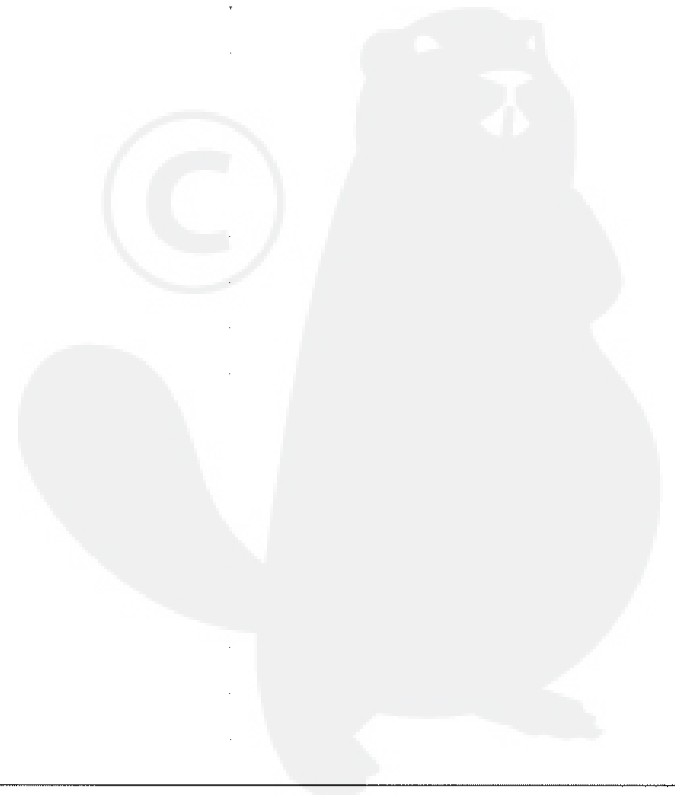
Key	Lv	Part Number	Q'ty	Description	Remarks	Note
18		130310-51830	1	FILTER, AIR	Sr/Nr 038003 and after	
19		130313-06560	1	COVER, AIR CLEANER	Sus. by 130313-06561	
19		130313-06561	1	COVER, AIR CLEANER	Sr/Nr 030799 and before	
19		130313-06563	1	LID, AIR CLEANER	Sr/Nr 030800 to 038002	
19		130313-09561	1	LID, CLEANER	Sr/Nr 038003 and after	
20		900528-00005	1	NUT	Sr/Nr 030799 and before	
20		210417-52730	1	BOLT, WING	Sr/Nr 030800 to 038002	
20		210417-09560	1	BOLD, WING	Sr/Nr 038003 and after	
21		890121-06360	1	LABEL, CHOKE	Sus. by 890121-09560	
21		890121-05360	1	LABEL, CHOKE	Sus. by 890121-09560	
21		890121-09560	1	LABEL, CHOKE		
23		129011-09560	1	PLATE	Sr/Nr 038003 and after	
29		145871-44331	1	COVER, MUFFLER	Sus. by A320-000251	
29		145871-52130	1	COVER, MUFFLER	Sus. by A320-000251	
29		A320-000250	1	COVER, MUFFLER	Sus. by A320-000251	
29		A320-000251	1	COVER, MUFFLER	Sr/Nr 35501001 and after	
28		145802-05960	1	MUFFLER ASSY	Sus. by 145802-08960	
28		145802-08960	1	MUFFLER ASSY	Sr/Nr 35502740 and before	
28		P021-008380	1	MUFFLER ASY	Sr/Nr 36001001 and after	
30 +		145510-42031	2	GASKET, MUFFLER	Sus. by V104-000160	
30 +		V104-000160	2	GASKET, EXHAUST		
32 +		145866-42031	1	GASKET, MUFFLER LID	Sr/Nr 35502740 and before,CHINA	
32 +		V104-000003	1	GASKET, MUFFLER LID	Sr/Nr 36001001 and after	
33 +		145876-42030	1	LID, MUFFLER (B)		
34 +		145863-06960	1	FIXTURE, SCREEN	Sus. by 145863-08960	
34 +		145863-08960	1	GUIDE, EXHAUST		
35 +		900242-04010	3	SCREW 4*10		
36		900105-05055	2	BOLT, H.S. 5*55		

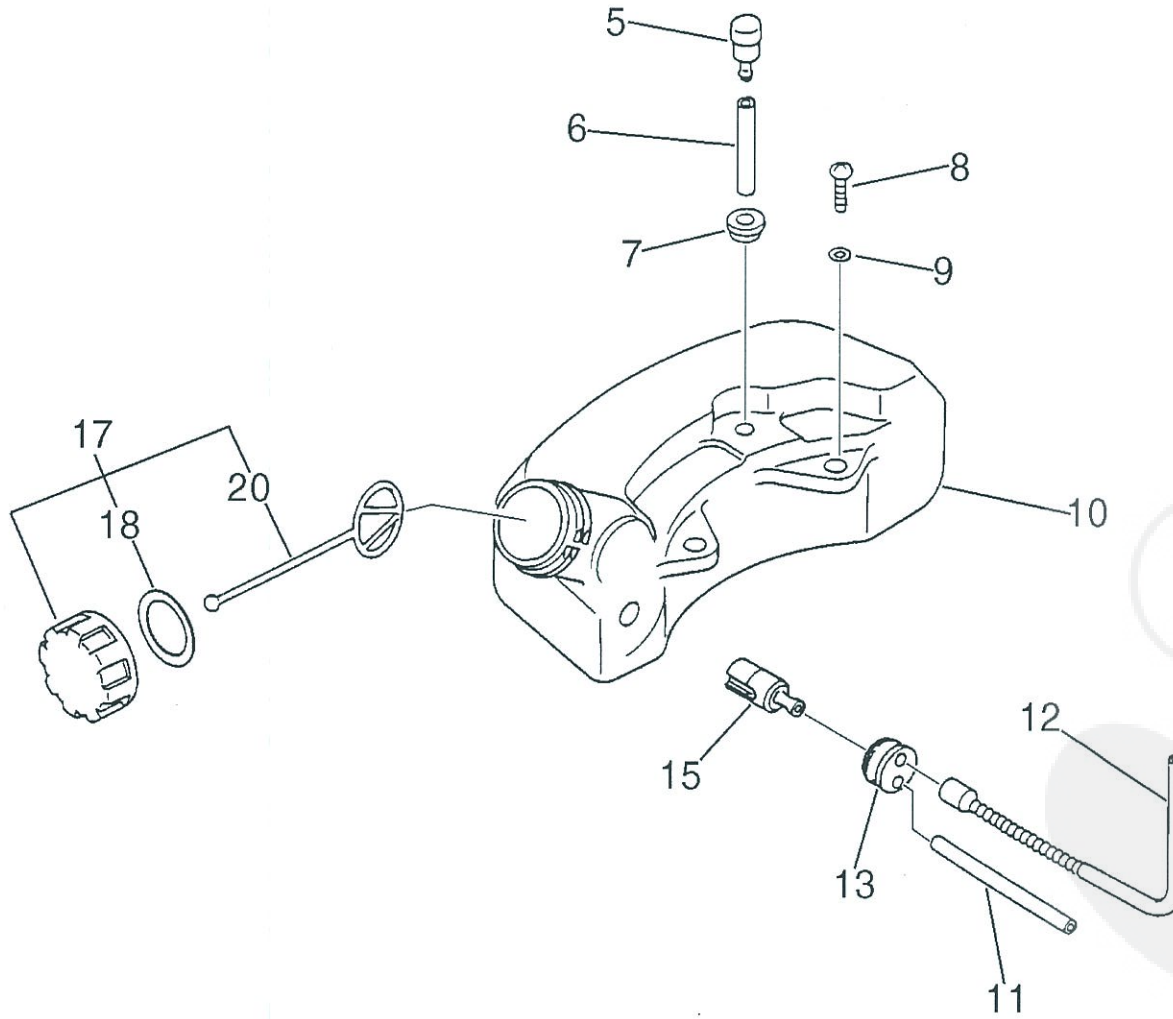


P a r t s L i s t

Group:Hedge Trimmers Model:HC-2400(6digits)(21)(35)(36) Section:Air Cleaner, Muffler(3)

Key	Lv	Part Number	Q'ty	Description	Remarks	Note
37		900600-00005	2	WASHER 5		

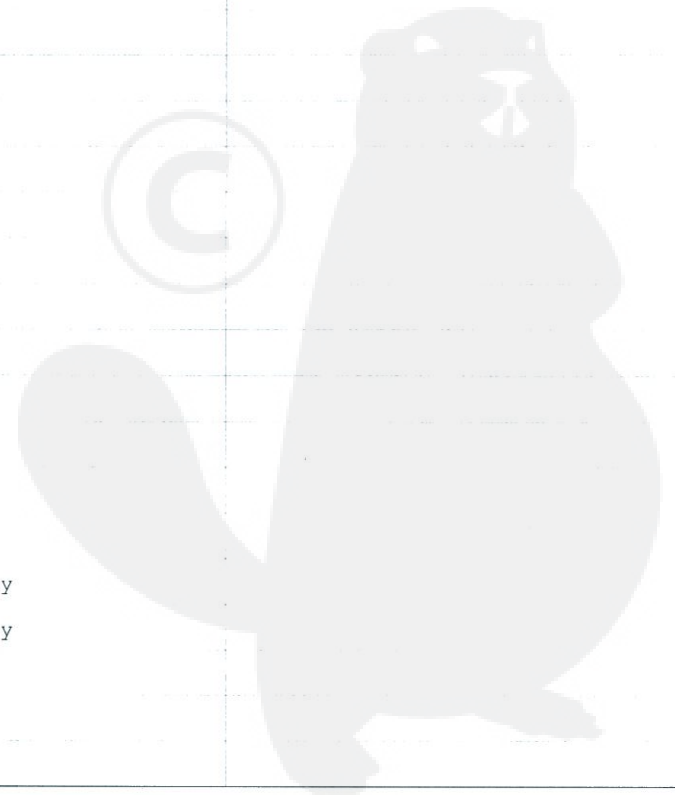


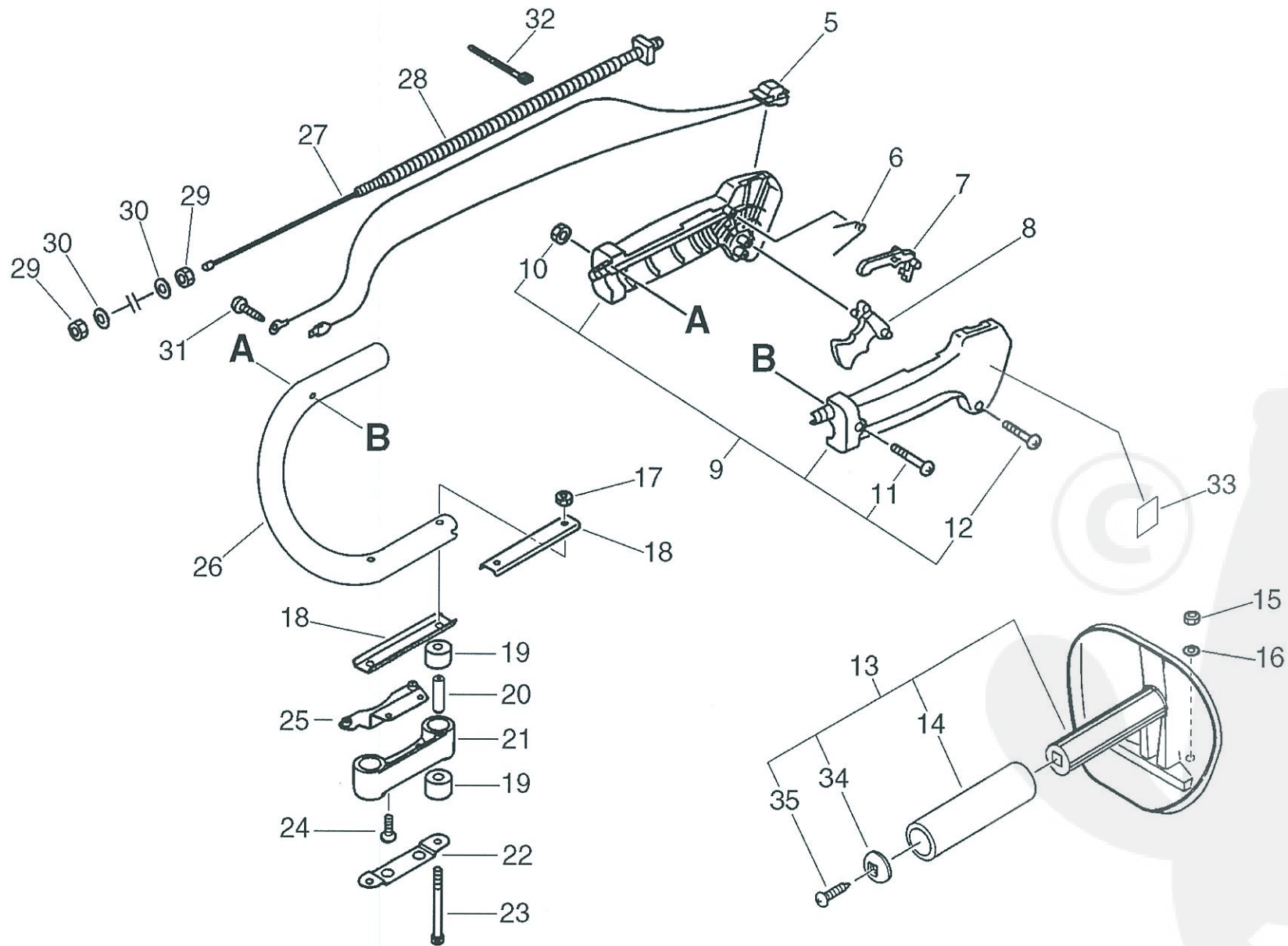


P a r t s L i s t

Group:Hedge Trimmers Model:HC-2400(6digits)(21)(35)(36) Section:Fuel Tank(4)

Key	Lv	Part Number	Q'ty	Description	Remarks	Note
5		131300-40630	1	VALVE, CHECK	Sus. by A356-000030	
5		A356-000030	1	VALVE, CHECK	Sr/Nr 35501000 and before	
5		131300-40630	1	VALVE, CHECK	Sus. by A356-000030	
5		131300-56430	1	VALVE, CHECK	Sus. by A356-000030	
5		A356-000030	1	VALVE, CHECK	Sr/Nr 35501001 and after	
6		132010-21160	1	PIPE, FUEL	Sus. by V471-001180	
6		V471-001180	1	PIPE		
7		132115-01461	1	GROMMET, FUEL		
8		900238-05016	2	SCREW 5*16	Sus. by 900243-05016	
8		900243-05016	2	SCREW 5*16		
9		900603-00005	2	WASHER 5	Sus. by 900243-05016	
10		131002-08960	1	TANK, FUEL	Sus. by 131002-08961	
10		131002-08961	1	TANK, FUEL		
11		132717-06460	1	PIPE 3*5*110	Sus. by 132010-06460	
11		132010-06460	1	PIPE 3* 6*110		
12		132010-02160	1	PIPE, FUEL (INNER)		
13		132115-44330	1	GROMMET		
15		131205-50430	1	STRAINER, FUEL	Sus. by 131205-07320	
15		131205-07320	1	STRAINER, FUEL		
17		131004-48730	1	CAP ASSY, FUEL TANK	Sus. by 131004-55730	
17		131004-55730	1	CAP ASSY, FUEL TANK	Sus. by 131004-06560	
17		131004-06560	1	CAP ASSY, FUEL TANK	Sus. by 131004-08960	
17		131004-08960	1	CAP ASSY, FUEL		
18 +		131016-40930	1	GASKET, FUEL CAP	Can be used on the 131004-06560 only	
18 +		131016-55830	1	GASKET, FUEL CAP	Can be used on the 131004-08960 only	
20 +		131051-52430	1	CONNECTOR, CAP		

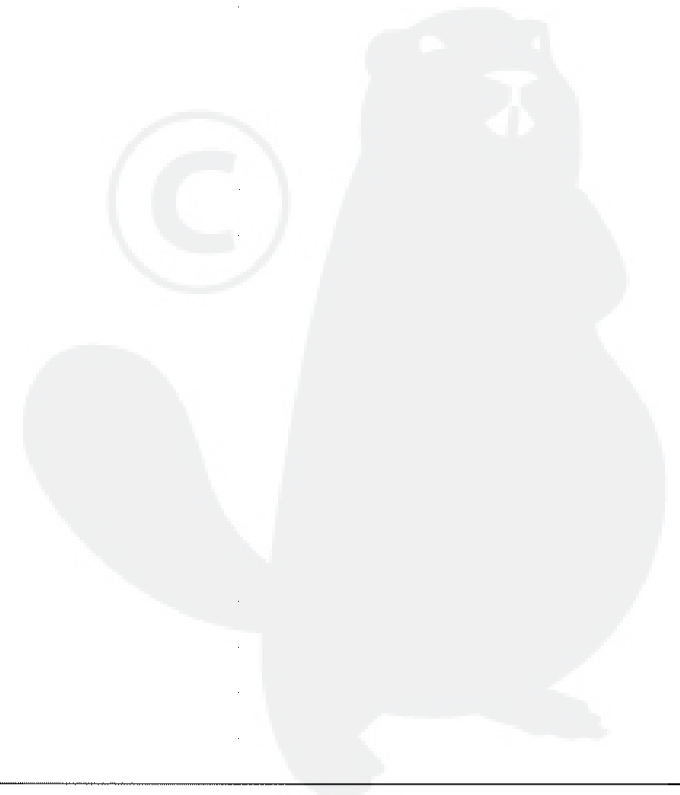




P a r t s L i s t

Group:Hedge Trimmers Model:HC-2400(6digits)(21)(35)(36) Section:Handle(5)

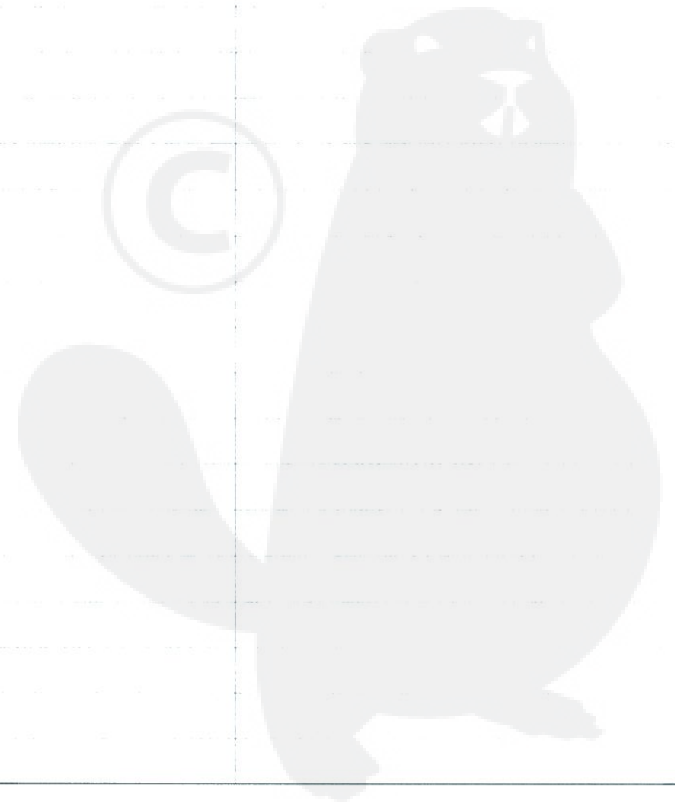
Key	Lv	Part Number	Q'ty	Description	Remarks	Note
5		163400-05960	1	SWITCH, IGNITION	Sus. by A440-000320	
5		A440-000320	1	SWITCH, ON OFF		
6		178013-35631	1	SPRING, THR. LOCK		
7		178012-05960	1	LOCKOUT, THROTTLE		
8		178010-05960	1	CONTROL, THROTTLE		
9		351102-47530	1	GRIP ASSY, F-HANDLE		
10	+	900500-00005	1	NUT 5		
11	+	900220-05030	1	SCREW 5*30		
12	+	900246-03025	4	SCREW 3*25		
13		351200-07360	1	HANDLE ASSY	Sus. by 351200-07363	
13		351200-07361	1	HANDLE ASSY	Sus. by 351200-07363	
13		351200-07362	1	HANDLE ASSY	Sus. by 351200-07363	
13		351200-07363	1	HANDLE ASSY		
14	+	351012-07360	1	GRIP, HANDLE	Sus. by 351012-07361	
14	+	351012-07361	1	GRIP, HANDLE		
34	+	351217-07360	1	SUPPORTER, F. HANDLE	Sus. by 351217-07361	
34	+	351217-07361	1	SUPPORTER, F. HANDLE		
35	+	900253-05014	1	SCREW 5*14		
15		433022-06460	2	NUT		
16		900603-00006	2	WASHER 6		
17		900560-00005	2	NUT, LOCK		
18		351243-01260	2	BRACKET		
19		351228-01260	4	CUSHION		
20		351241-01260	2	SPASER		
21		351217-05960	1	SUPPORTER, F.HANDLE		
22		351242-01261	1	PLATE		
23		900105-05060	2	BOLT, H.S. 5*60		
24		900242-05016	2	SCREW 5*16	Sus. by 900238-05016	

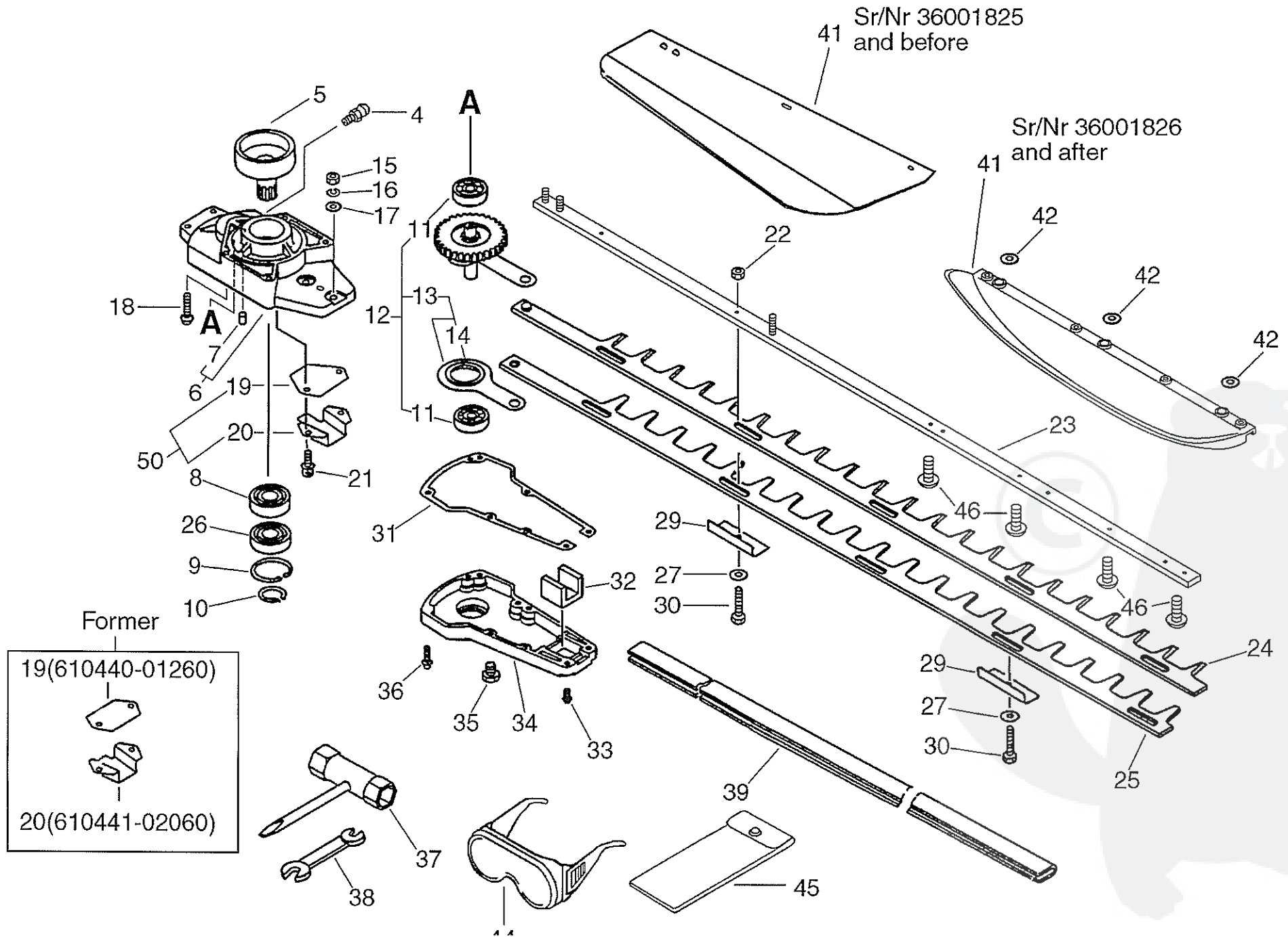


Parts List

Group:Hedge Trimmers Model:HC-2400(6digits)(21)(35)(36) Section:Handle(5)

Key	Lv	Part Number	Q'ty	Description	Remarks	Note
24		900238-05016	2	SCREW 5*16		
25		610438-01260	1	PLATE		
26		351205-08960	1	HANDLE, REAR	Sus. by 351205-08961	
26		351205-08961	1	HANDLE, REAR		
27		178001-05960	1	WIRE, THROTTLE		
28		178127-05960	1	TUBE		
29		900502-00006	2	NUT 6 (3N)		
30		900600-00006	2	WASHER 6		
31		900238-05010	1	SCREW 5*10		
32		178121-10050	1	BAND		
33		890157-06560	1	LABEL, SWITCH	Sus. by 890157-39130	
33		890157-39130	1	LABEL, SWITCH	Disuse	





Parts List

Group:Hedge Trimmers Model:HC-2400(6digits)(21)(35)(36) Section:Gear Case, Cutter, Tools(6)

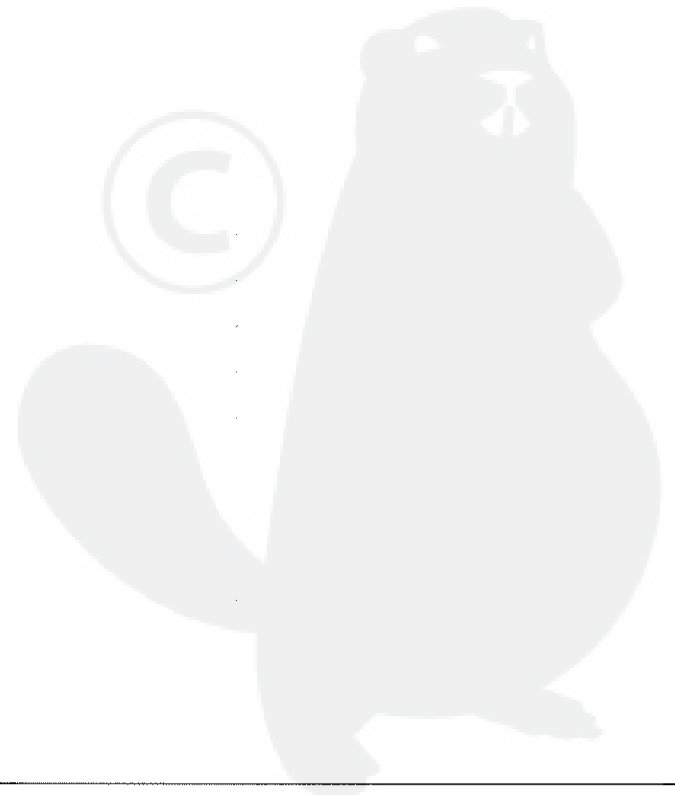
Key	Lv	Part Number	Q'ty	Description	Remarks	Note
5		175003-01261	1	DRUM W/CLIP, CLUTCH	Sr/Nr 037100 and before, 35001001 to 35501000	
10 +		900701-00016	1	CIRCLIP 16	Sr/Nr 037100 and before, 35001001 to 35501000	
5		175005-08960	1	DRUM, CLUTCH	Sr/Nr 037101 to 35001000	
5		175005-01260	1	DRUM, CLUTCH	Sr/Nr 35501001 and after	
10		900701-00019	1	CIRCLIP 19	Sr/Nr 037101 to 35001000, 35501001 and after	
6		610410-05960	1	CASE, GEAR	Sr/Nr 032819 and before	
6		610420-08560	1	CASE, GEAR	Sus. by 610406-08560	
50		610406-08560	1	CASE, GEAR	Sr/Nr 032820 to 037100, 35001001 to 35501000	
6		610407-08561	1	CASE, GEAR	Sus. by 610407-08562	
6		610407-08562	1	CASE, GEAR	Sr/Nr 035559 to 037100, 35501001 and after	
4 +		880110-10860	1	NIPPLE, GREASE		
7 +		100215-03930	2	PIN, DOWEL		
19 +		610440-08960	1	GUIDE,CUTTER	Sr/Nr 035559 to 35501000	
20 +		610441-08960	1	GUIDE,CUUTER	Sr/Nr 035559 to 35501000	
6		610407-08961	1	CASE, GEAR	Sr/Nr 037101 to 35501000	
4 +		880110-10860	1	NIPPLE, GREASE		
7 +		100215-03930	2	PIN, DOWEL		
8		900802-06003	1	BEARING, BALL 6003	Sr/Nr 037100 and before, 35001001 to 35501000	
8		900857-06904	1	BEARING, BALL 6904	Sr/Nr 037101 and after	
9		900702-00035	1	CIRCLIP 35	Sr/Nr 037100 and before, 35001001 to 35501000	
9		900702-00037	1	CIRCLIP 37	Sr/Nr 037101 and after	
12		610302-01260	1	GEAR ASS'Y	Sr/Nr 035558 and before	
12		610302-09660	1	GEAR ASY	Sus. by 610302-09661	
12		610302-09661	1	GEAR ASY	Sr/Nr 035559 to 037100, 35501001 and after	
12		610302-08961	1	GEAR ASY	Sr/Nr 037101 and after	
11 +		900810-06200	2	BEARING, BALL 6200		
13 +		610307-01260	2	CON-ROD ASS'Y	Sus. by 610307-01261	
13 +		610307-01261	2	CON-ROD ASS'Y		



P a r t s L i s t

Group:Hedge Trimmers Model:HC-2400(6digits)(21)(35)(36) Section:Gear Case, Cutter, Tools(6)

Key	Lv	Part Number	Q'ty	Description	Remarks	Note
14	++	610327-01260	2	BEARING, NEEDLE	Sus. by 610327-01261	
14	++	610327-01261	2	BEARING, NEEDLE		
15		900500-00006	2	NUT 6		
16		900605-00006	2	WASHER, SPRING 6		
17		900600-00006	2	WASHER 6		
18		900162-05030	4	BOLT, H.S. 5*30	Sus. by 900162-05028	
19		610440-01260	1	GUIDE	Sr/Nr 035558 and before	
19		610440-08960	1	GUIDE,CUTTER	Sr/Nr 35501001 and after	
20		610441-02060	1	GUIDE	Sr/Nr 035558 and before	
20		610441-08960	1	GUIDE,CUUTTER	Sr/Nr 35501001 and after	
21		900162-05014	2	BOLT, H.S. 5*14		
22		433022-06460	4	NUT		
23		699105-02061	1	BAR, FRAME	Sus. by X425-000200	
23		X425-000100	1	SUPPORT,CUTTER	Sus. by X425-000200	
23		X425-000200	1	SUPPORT,CUTTER		
24		697010-02060	1	CUTTER (UPPER)	Sus. by 697010-02960	
24		697010-02960	1	CUTTER	Sr/Nr 035558 and before	
24		697010-09660	1	CUTTER	Sus. by X411-000320	
24		X411-000080	1	CUTTER	Sus. by X411-000320	
24		X411-000320	1	CUTTER	Sr/Nr 035559 and after	
25		697011-02060	1	CUTTER (LOWER)	Sus. by 697011-02960	
25		697011-02960	1	CUTTER	Sr/Nr 035558 and before	
25		697011-09660	1	CUTTER	Sus. by X411-000330	
25		X411-000090	1	CUTTER	Sus. by X411-000330	
25		X411-000330	1	CUTTER	Sr/Nr 035559 and after	
26		900802-06003	1	BEARING, BALL 6003	Sr/Nr 037100 and before	
26		900855-06904	1	BEARING, BALL 6904	Sr/Nr 037101 to 35501000	
26		900802-06003	2	BEARING, BALL 6003	Sr/Nr 35501001 and after	

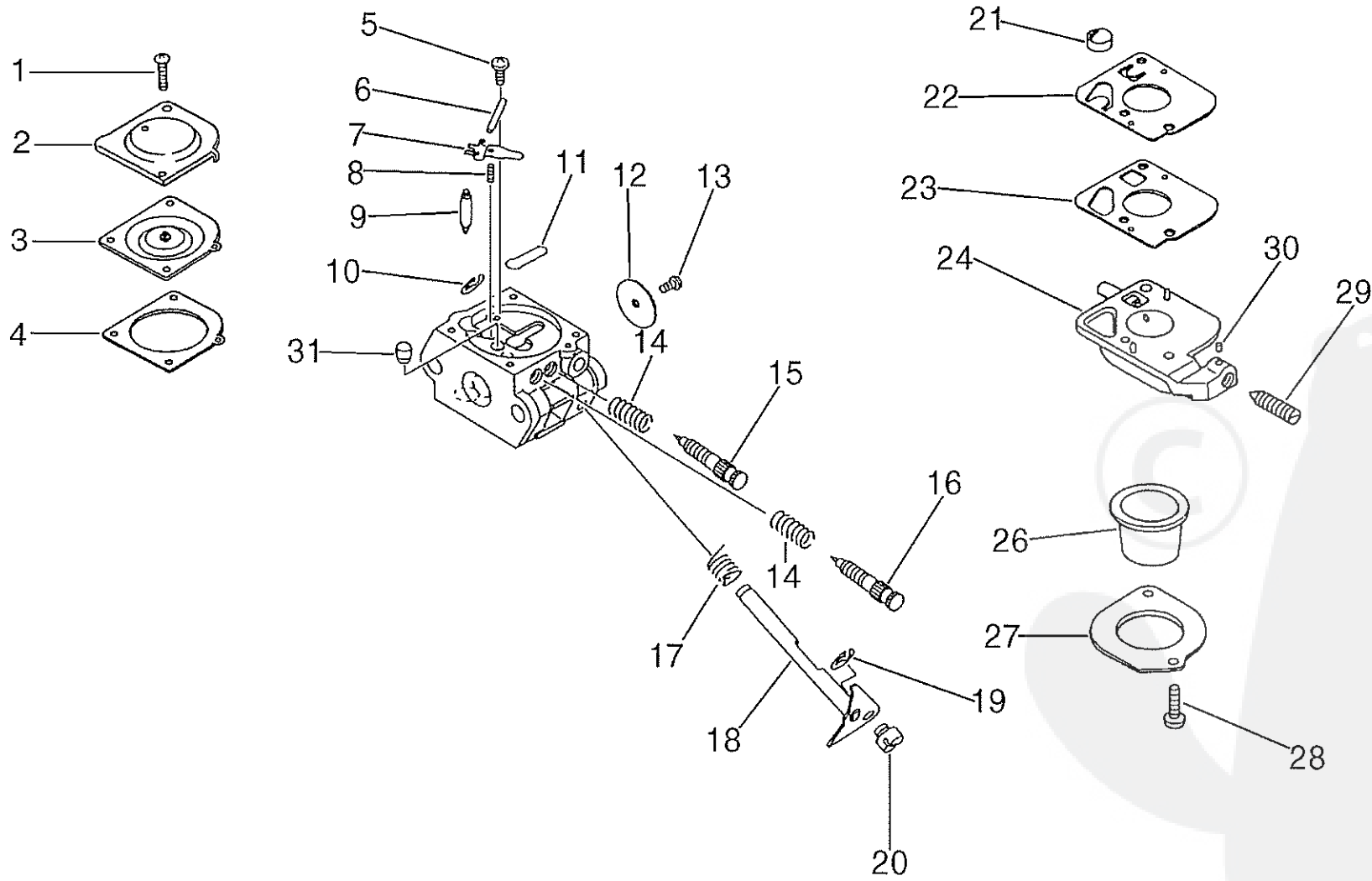


P a r t s L i s t

Group:Hedge Trimmers Model:HC-2400(6digits)(21)(35)(36) Section:Gear Case, Cutter, Tools(6)

Key	Lv	Part Number	Q'ty	Description	Remarks	Note
27		699118-01261	5	WASHER		
28		699115-02062	4	BOLT		
29		699213-02062	5	INSULATOR	Sus. by 699213-02063	
29		699213-02063	5	INSULATOR		
30		351027-02060	1	BOLT		
31		610414-01260	1	GASKET, GEAR HOUSING		
32		610426-01260	1	SEAL		
33		900242-04014	4	SCREW 4*14		
34		610411-05960	1	LID,GEARE CASE	Sr/Nr 032819 and before	
34		610431-08960	1	LID, GEAR CASE	Sus. by 610431-08961	
34		610431-08961	1	LID, GEAR CASE	Sr/Nr 032820 and after	
35		610434-50030	1	BOLT 8* 6	Sr/Nr 032819 and before	
36		900242-04022	2	SCREW 4*22		
37		895410-00430	1	WRENCH, W/S. DRIVER		
38		895112-00330	1	SPANNER 8*10		
39		898523-02961	1	COVER, CUTTER		
41		699511-06560	1	GUIDE, CORRECTION	Sr/Nr 36001825 and before	
41		C571-000020	1	GUIDE, COLLECTION	Sr/Nr 36001826 and after, Sus. by C571-000010	
42		900603-00006	3	WASHER 6		
44		X690-000020	1	GOGGLE	CHINA	
45		898510-39130	1	BAG, TOOL	Sr/Nr 35501001 and after	
46		900209-05010	4	SCREW, 5*10	Sr/Nr 36001826 and after	

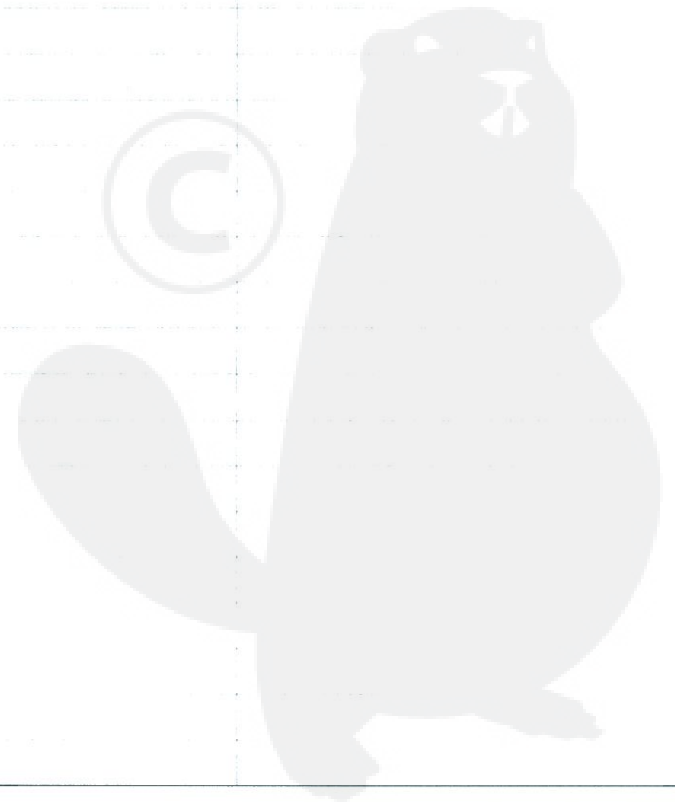




P a r t s L i s t

Group:Hedge Trimmers Model:HC-2400(6digits)(21)(35)(36) Section:Carburetor(Sr/Nr 009000 and before)(7)

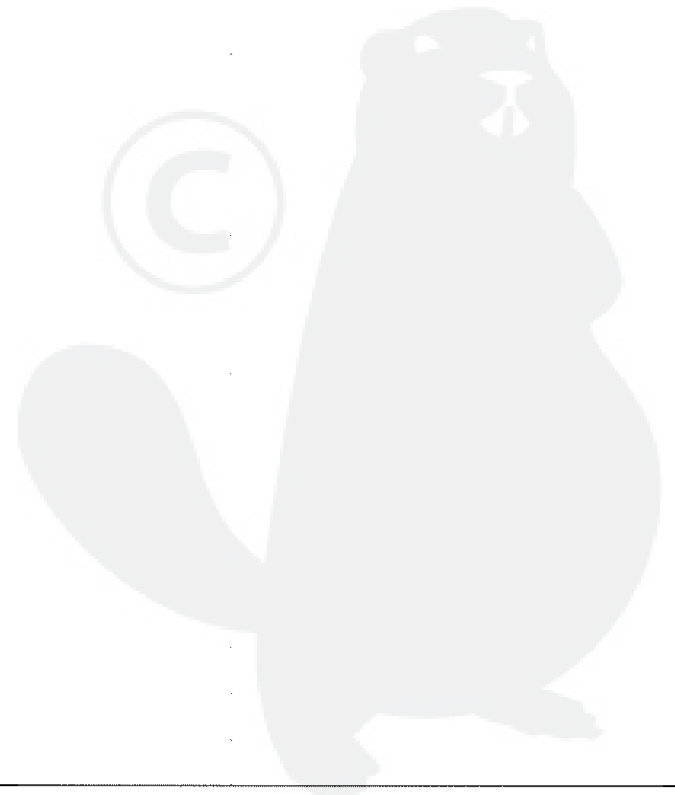
Key	Lv	Part Number	Q'ty	Description	Remarks	Note
		125200-08960	1	CARBURETOR ASSY	Sus. by 125200-08961	
		125200-08961	1	CARBURETOR ASSY	Sr/Nr 009000 and before	
1	+	125344-52130	2	SCREW		
2	+	125342-52130	1	COVER, DIAPHRAGM	Sus. by 125342-13210	
2	+	125342-13210	1	COVER, DIAPHRAGM		
3	+	125341-42030	1	DIAPHRAGM		
4	+	125340-11520	1	GASKET, DIAPHRAGM		
5	+	125339-42030	1	SCREW		
6	+	125338-13930	1	PIN, METERING ARM		
7	+	125323-42030	1	LEVER, METERING		
8	+	125322-11520	1	SPRING, COIL		
9	+	125337-06960	1	VALVE, INLET NEEDLE		
10	+	125327-15130	1	CLIP		
11	+	125345-15130	1	PLUG, WELCH		
12	+	125316-07260	1	VALVE, THROTTLE		
13	+	125314-13930	1	SCREW		
14	+	125319-42030	2	SPRING, COIL		
15	+	125318-08960	1	NEEDLE, IDLE		
16	+	125320-07260	1	NEEDLE, HIGH SPEED		
17	+	125313-42030	1	SPRING, THRT. RETURN		
18	+	125317-42030	1	SHAFT, THROTTLE		
19	+	125327-13930	1	CLIP		
20	+	125372-42030	1	SWIVEL		
21	+	125326-42030	1	STRAINER		
22	+	125312-42030	1	DIAPHRAGM, FUEL PUMP		
23	+	125325-42030	1	GASKET, FUEL PUMP		
24	+	125324-11610	1	COVER, PUMP		
26	+	125381-46730	1	PUMP, PRIMING		

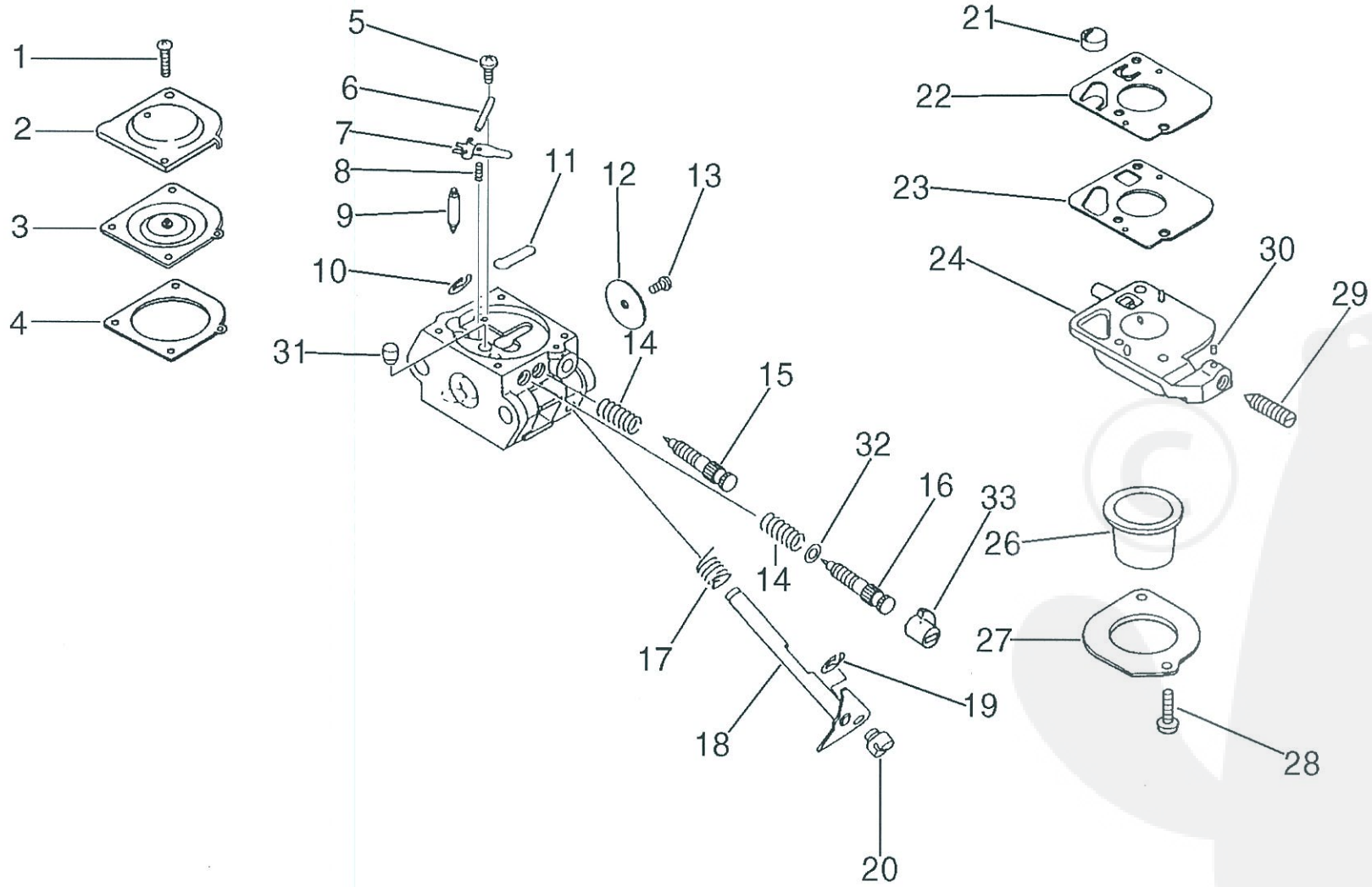


P a r t s L i s t

Group:Hedge Trimmers Model:HC-2400(6digits)(21)(35)(36) Section:Carburetor(Sr/Nr 009000 and before)(7)

Key	Lv	Part Number	Q'ty	Description	Remarks	Note
27	+	125363-11610	1	RING		
28	+	125310-11610	2	SCREW		
29	+	125334-13930	1	SCREW, IDLE ADJUST		
30	+	125378-13930	1	PIECE, FRICTION		
31	+	125345-06960	1	PLUG, WELCH		

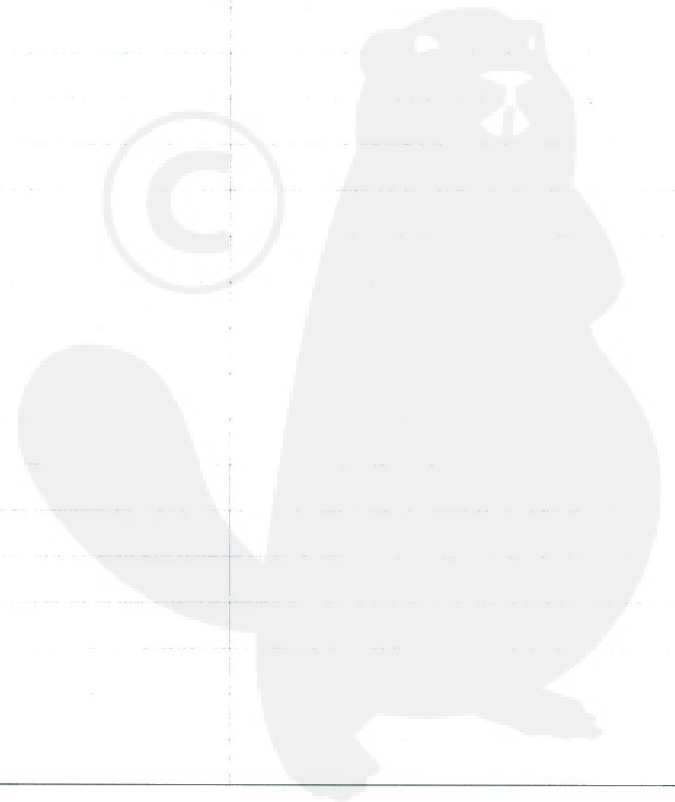




P a r t s L i s t

Group:Hedge Trimmers Model:HC-2400(6digits)(21)(35)(36) Section:Carburetor(Sr/Nr 009001 to 031973)(8)

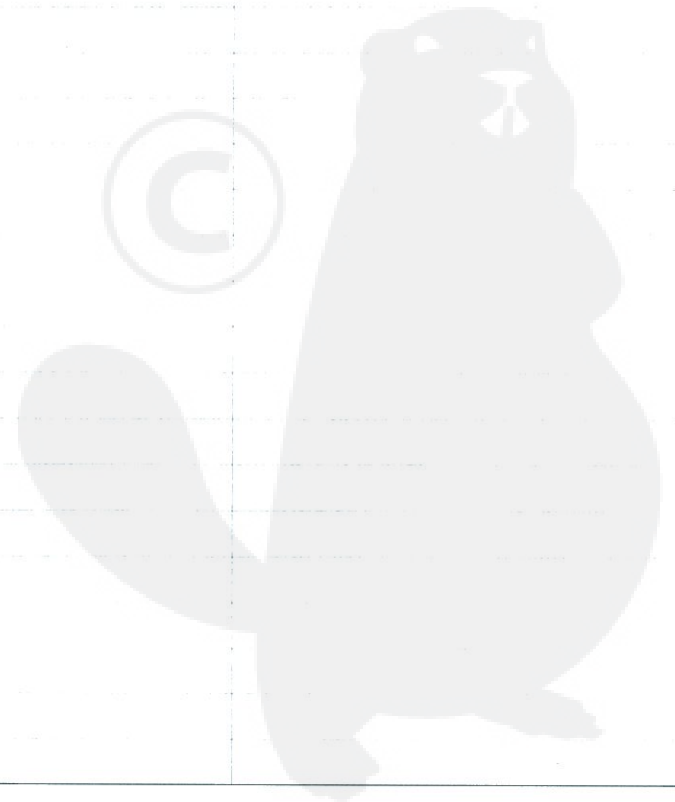
Key	Lv	Part Number	Q'ty	Description	Remarks	Note
		125200-08962	1	CARBURETOR ASSY	Sr/Nr 009001 to 031973	
1	+	125344-52130	2	SCREW		
2	+	125342-52130	1	COVER, DIAPHRAGM	Sus. by 125342-13210	
2	+	125342-13210	1	COVER, DIAPHRAGM		
3	+	125341-42030	1	DIAPHRAGM		
4	+	125340-51030	1	GASKET, DIAPHRAGM		
5	+	125339-42030	1	SCREW		
6	+	125338-13930	1	PIN, METERING ARM		
7	+	125323-42030	1	LEVER, METERING		
8	+	125322-42030	1	SPRING, COIL		
9	+	125337-06960	1	VALVE, INLET NEEDLE		
10	+	125327-15130	1	CLIP		
11	+	125345-15130	1	PLUG, WELCH		
12	+	125316-42030	1	VALVE, THROTTLE		
13	+	125314-13930	1	SCREW		
14	+	125319-42030	2	SPRING, COIL		
15	+	125318-42030	1	NEEDLE, IDLE		
16	+	125320-07760	1	NEEDLE, HIGH SPEED		
17	+	125313-42030	1	SPRING, THRT. RETURN		
18	+	125317-42030	1	SHAFT, THROTTLE		
19	+	125327-13930	1	CLIP		
20	+	125372-42030	1	SWIVEL		
21	+	125326-42030	1	STRAINER		
22	+	125312-42030	1	DIAPHRAGM, FUEL PUMP		
23	+	125325-42030	1	GASKET, FUEL PUMP		
24	+	125324-11610	1	COVER, PUMP		
26	+	125381-46730	1	PUMP, PRIMING		
27	+	125363-11610	1	RING		

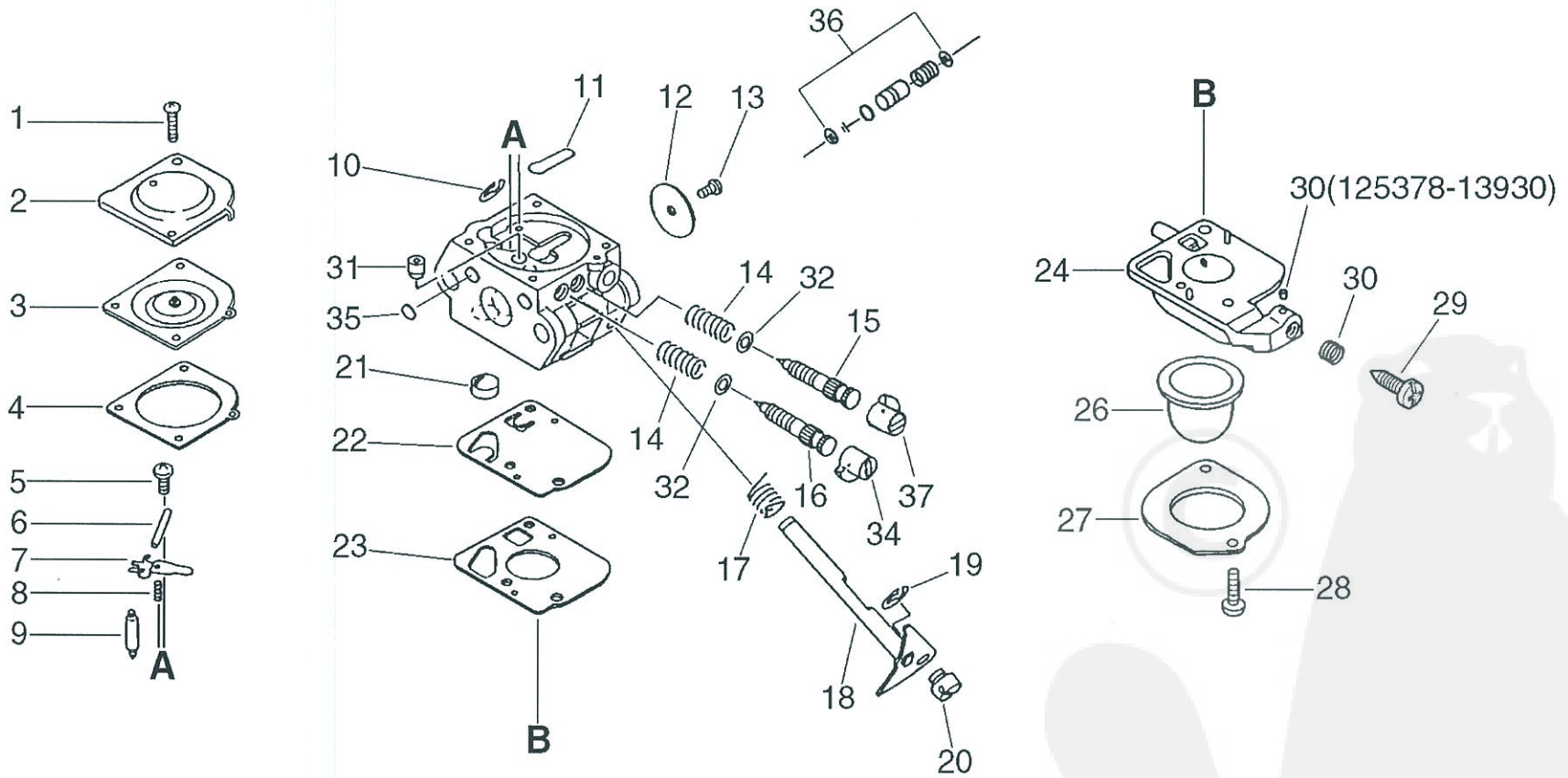


P a r t s L i s t

Group:Hedge Trimmers Model:HC-2400(6digits)(21)(35)(36) Section:Carburetor(Sr/Nr 009001 to 031973)(8)

Key	Lv	Part Number	Q'ty	Description	Remarks	Note
28	+	125310-11610	2	SCREW		
29	+	125334-13930	1	SCREW, IDLE ADJUST		
30	+	125378-13930	1	PIECE, FRICTION		
31	+	125376-07760	1	NOZZLE, CHECK VALVE		
32	+	125353-07760	1	WASHER		
33	+	125329-08960	1	LIMITER, MIXTURE		

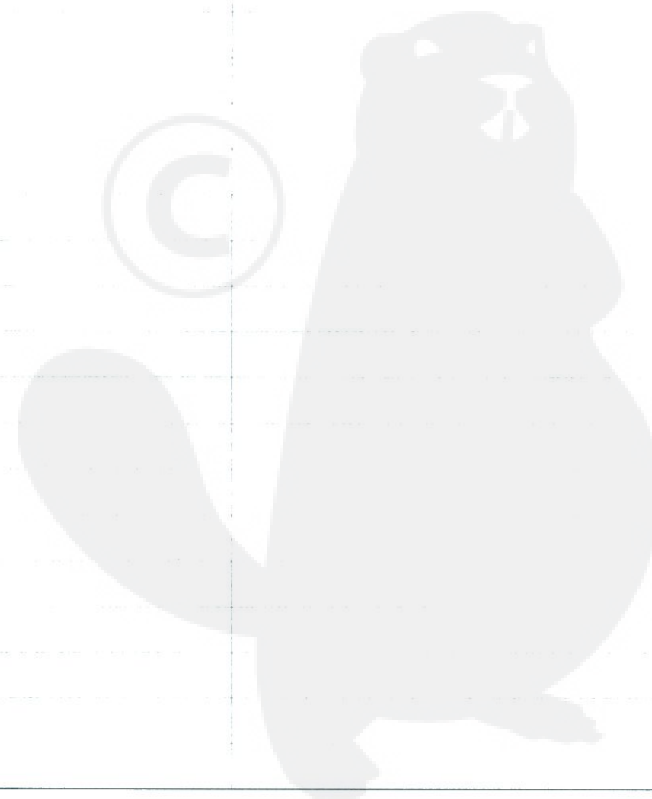




P a r t s L i s t

Group:Hedge Trimmers Model:HC-2400(6digits)(21)(35)(36) Section:Carburetor(Sr/Nr 031974 and after,CHINA)(9)

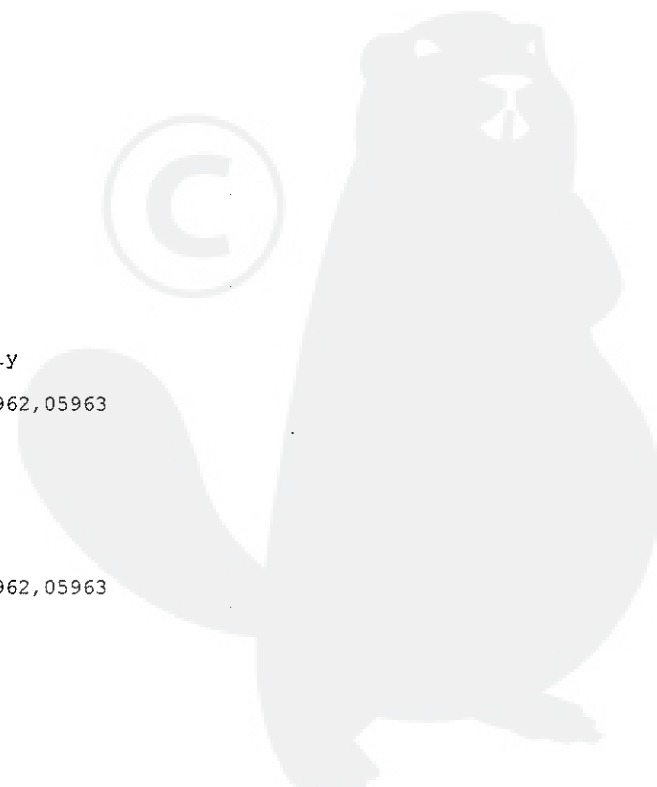
Key	Lv	Part Number	Q'ty	Description	Remarks	Note
		125200-08460	1	CARBURETOR ASSY	Sus. by 125200-05964	
		125200-05961	1	CARBURETOR ASSY	Sus. by 125200-05964	
		125200-05962	1	CARBURETOR ASSY	Sus. by 125200-05964	
		125200-05963	1	CARBURETOR ASSY	Sus. by 125200-05964	
		125200-05964	1	CARBURETOR ASSY	Sr/Nr 001305 and after	
1 +		125344-52130	2	SCREW		
2 +		125342-13210	1	COVER, DIAPHRAGM	Sus. by 125342-52130	
2 +		125342-52130	1	COVER, DIAPHRAGM		
3 +		125341-42030	1	DIAPHRAGM	Sr/Nr 031974 to 034130	
3 +		125341-49030	1	DIAPHRAGM	Sr/Nr 034131 and after,CHINA	
4 +		125340-51030	1	GASKET, DIAPHRAGM		
5 +		125339-42030	1	SCREW		
6 +		125338-13930	1	PIN, METERING ARM		
7 +		125323-42030	1	LEVER, METERING		
8 +		125322-42030	1	SPRING, COIL		
9 +		125337-06960	1	VALVE, INLET NEEDLE		
10 +		125327-15130	1	CLIP		
11 +		125345-15130	1	PLUG, WELCH		
12 +		125316-49030	1	VALVE, THROTTLE		
13 +		125314-13930	1	SCREW		
14 +		125319-42030	2	SPRING, COIL	Sr/Nr 031974 to 034130	
15 +		125318-07360	1	NEEDLE, IDLE	Sr/Nr 031974 to 034130	
15 +		125318-13120	1	NEEDLE, IDLE	Sr/Nr 034131 and after,CHINA	
16 +		125320-07360	1	NEEDLE, HIGH SPEED	Sr/Nr 031974 to 034130	
16 +		125320-13310	1	NEEDLE, HIGH SPEED	Sr/Nr 034131 and after,CHINA	
17 +		125313-42030	1	SPRING, THRT. RETURN		
18 +		125317-49030	1	SHAFT, THROTTLE	Sr/Nr 031974 to 034130	
18 +		125317-13310	1	SHAFT, THROTTLE	Sr/Nr 034131 and after,CHINA	



P a r t s L i s t

Group:Hedge Trimmers Model:HC-2400(6digits)(21)(35)(36) Section:Carburetor(Sr/Nr 031974 and after,CHINA)(9)

Key	Lv	Part Number	Q'ty	Description	Remarks	Note
19	+	125327-13930	1	CLIP		
20	+	125372-42030	1	SWIVEL		
21	+	125326-42030	1	STRAINER		
22	+	125312-49030	1	DIAPHRAGM, FUEL PUMP	Can be used on the 125200-08460 only	
22	+	125312-12820	1	DIAPHRAGM, FUEL PUMP	Can be used on the 125200-05961,05962,05963	
23	+	125325-42030	1	GASKET, FUEL PUMP	Sus. by 125325-13310	
23	+	125325-13310	1	GASKET, FUEL PUMP		
24	+	125324-11610	1	COVER, PUMP	Sus. by P005-000590	
24	+	125383-13310	1	COVER, PUMP	Sus. by P005-000590	
24	+	P005-000590	1	BASE,ASY PRIMER		
26	+	125381-46730	1	PUMP, PRIMING	Sus. by 125381-08660	
26	+	125381-08660	1	PUMP, PRIMING		
27	+	125363-11610	1	RING		
28	+	125310-11610	2	SCREW		
29	+	125334-13930	1	SCREW, IDLE ADJUST	Sr/Nr 035658 and before	
29	+	125334-06960	1	SCREW, IDLE ADJUST	Sr/Nr 035659 and after,CHINA	
30	+	125378-13930	1	PIECE, FRICTION	Sr/Nr 035658 and before	
30	+	125333-06960	1	SPRING, ADJUST SCREW	Sr/Nr 035659 and after,CHINA	
31	+	125376-49030	1	NOZZLE, CHECK VALVE	Can be used on the 125200-08460 only	
31	+	125376-13120	1	NOZZLE, CHECK VALVE	Can be used on the 125200-05961,05962,05963	
32	+	125353-20560	2	WASHER	Sr/Nr 031974 to 034130	
34	+	125329-39030	1	LIMITER, MIXTURE	Sr/Nr 35502740 and before,CHINA	
34		A259-000030	1	CAP, LIMITER	Sr/Nr 36001001 and after	
35	+	125345-13310	1	PLUG, WELCH	Can be used on the 125200-05961,05962,05963	
36	+	125306-13120	1	PUMP KIT, ACC.	Sr/Nr 034131 and after,CHINA	
37		125329-09860	1	LIMITER, MIXTURE	Sr/Nr 36001001 and after	
		125303-13310	1	DIAPHRAGM/GASKET KIT		
		125300-13310	1	REBUILD KIT		



P a r t s L i s t

Group:Hedge Trimmers Model:HC-2400(6digits)(21)(35)(36) Section:Repair Kit(10)

Key	Lv	Part Number	Q'ty	Description	Remarks	Note
		125303-13310	1	DIAPHRAGM/GASKET KIT		
9-3	+	125341-49030	1	DIAPHRAGM		
9-4	+	125340-51030	1	GASKET, DIAPHRAGM		
9-22	+	125312-12820	1	DIAPHRAGM, FUEL PUMP		
9-23	+	125325-13310	1	GASKET, PUMP		
		125300-13310	1	REBUILD KIT		
9-3	+	125341-49030	1	DIAPHRAGM		
9-4	+	125340-51030	1	GASKET, DIAPHRAGM		
9-6	+	125338-13930	1	PIN, METERING ARM		
9-7	+	125323-42030	1	LEVER, METERING		
9-8	+	125322-42030	1	SPRING, COIL		
9-9	+	125337-06960	1	VALVE, INLET NEEDLE		
9-11	+	125345-15130	1	PLUG, WELCH		
9-21	+	125326-42030	1	STRAINER		
9-22	+	125312-12820	1	DIAPHRAGM, FUEL PUMP		
9-23	+	125325-13310	1	GASKET, PUMP		

