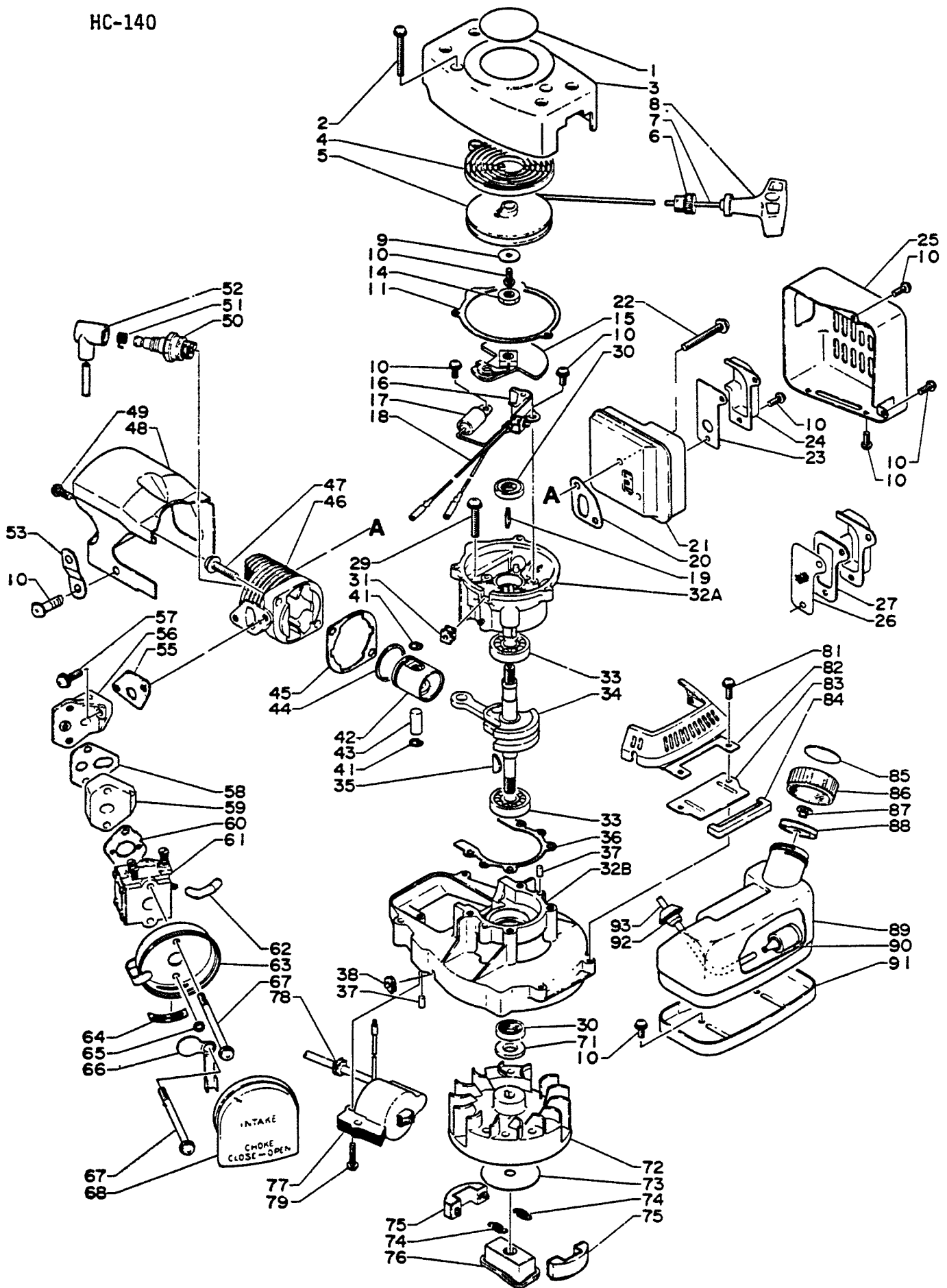
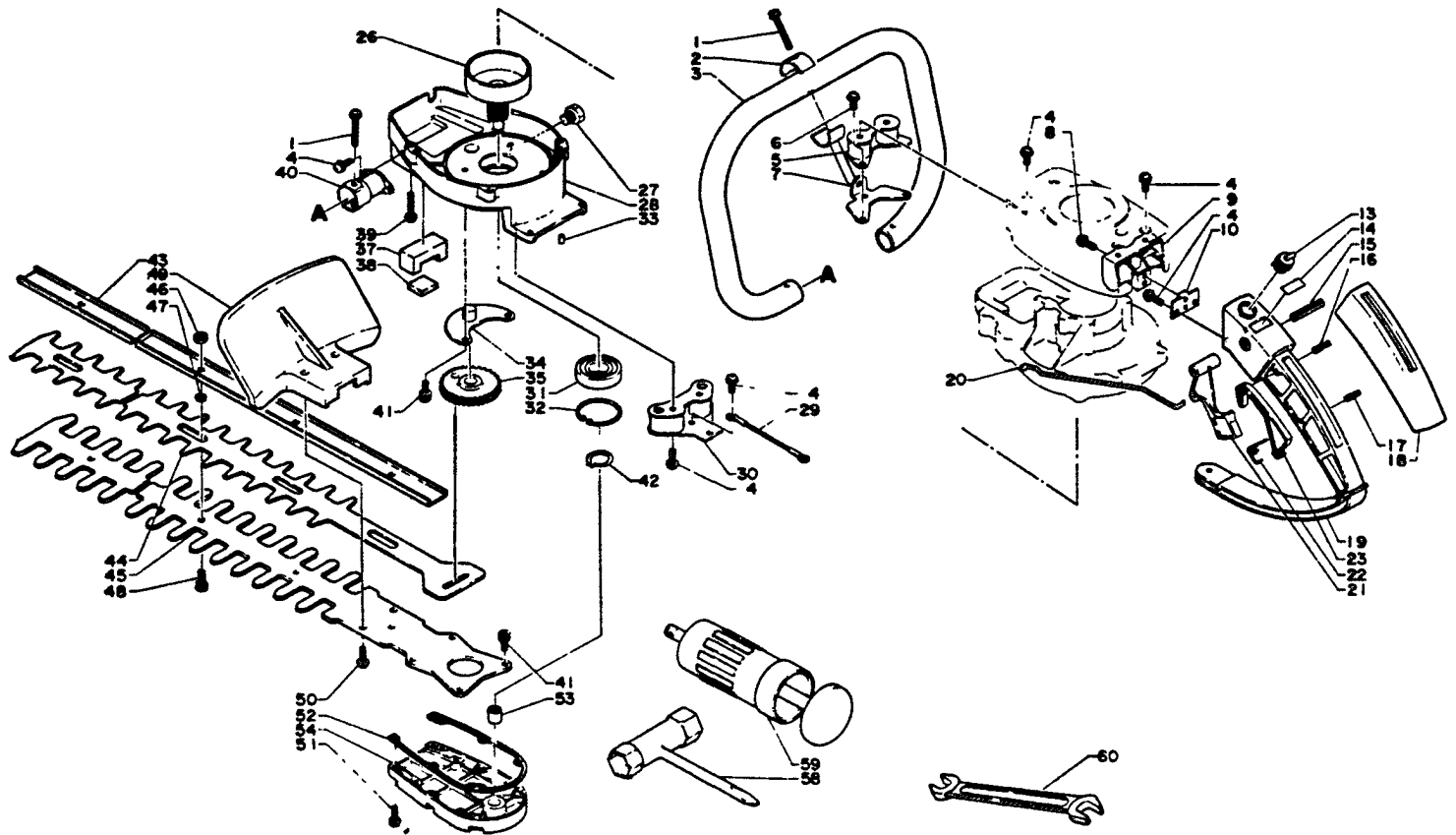


PART CATALOG
ECHO
HEDGE TRIMMER
HC-140



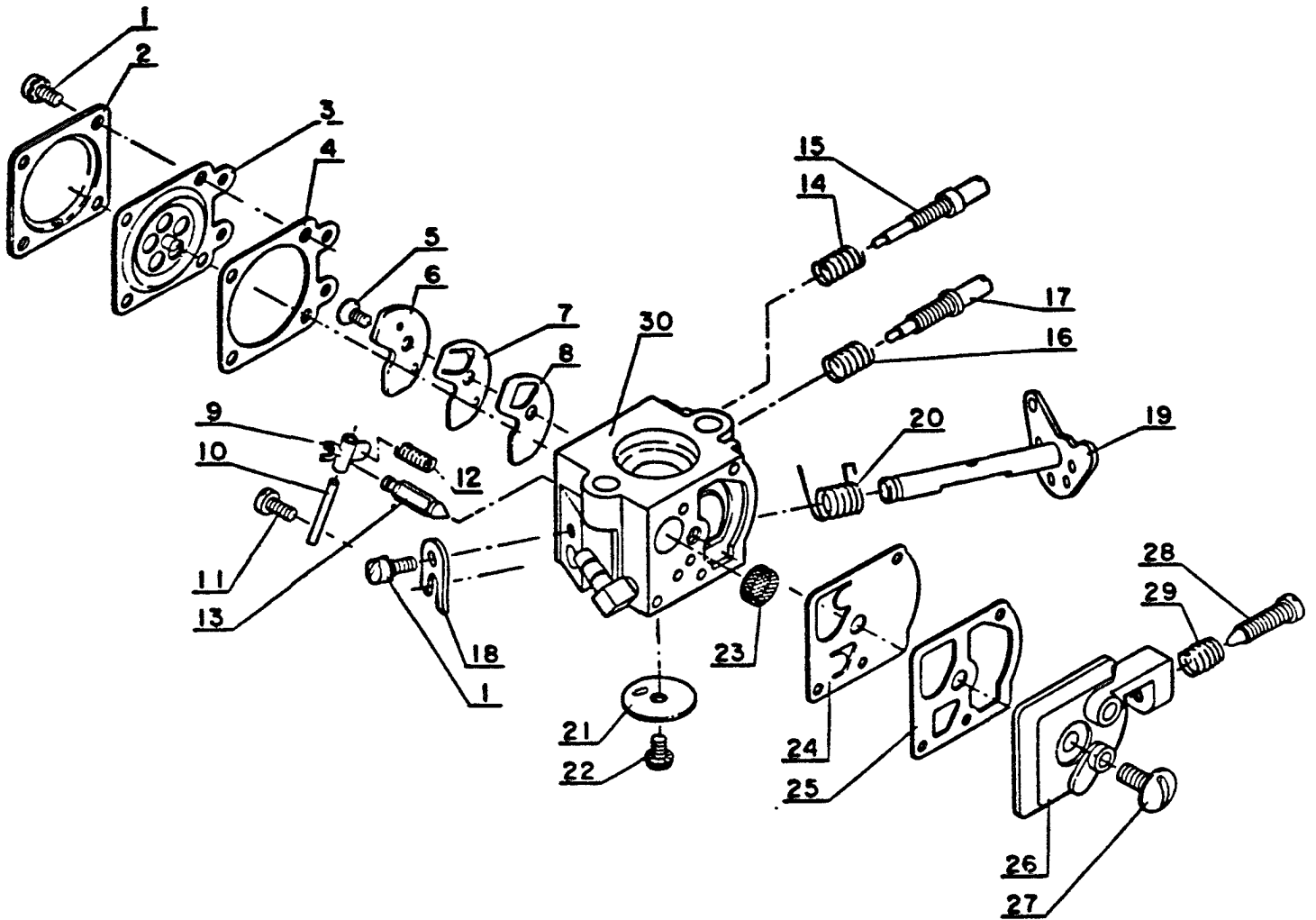
Key No.	Part Number	Q'ty	Description	Key No.	Part Number	Q'ty	Description
1- 1	890 112-0603 1	1	Decal. ECHO	1-52	159 012-0162 0	1	Cap. spark plug
2	900 242-0404 0	3	Screw 4x40	53	101 518-0136 0	1	Bracket
.	177 200-0136 0	1	Recoil starter ass'y	55	130 010-0136 0	1	Gasket
3	-177 209-0136 0	1	Starter case	56	130 013-0136 0	1	Base, insulator
4	-177 220-0653 0	1	Rewind spring	57	900 242-0501 6	2	Screw 5x16
5	-177 215-0492 0	1	Recoil drum	58	130 022-0136 0	1	Gasket
6	-177 227-0533 0	1	Rope guide	59	130 017-0136 0	1	Insulator
7	-177 226-0653 0	1	Rope	60	130 016-0492 1	1	Gasket
8	-1777228-0653 0	1	Starter handle	61	123 000-0136 0	1	Carburetor ass'y
9	-177 214-0463 0	1	Washer	62	130 110-0136 0	1	Tube
10	-900 242-0401 0	1	Screw 4x10	63	130 301-0136 0	1	Case, air cleaner
10	900 242-0401 0	11	Screw 4x10	64	-178 810-0653 0	1	Grommet
11	100 615-0492 0	1	Gasket, starter case	65	178 516-0083 0	1	Spacer
14	900 502-0000 8	1	Nut 8	66	178 515-0136 0	1	Choke shutter
15	177 305-0492 0	1	Ratchet ass'y	67	900 242-0505 7	2	Screw 5x57
16	150 101-0492 0	1	Breaker point set	68	130 310-0492 1	1	Air filter
17	150 127-0492 0	1	Condenser	71	100 132-0653 0	1	Washer
18	150 505-0632 0	1	Ground lead	72	150 200-0492 0	1	Flywheel
19	156 134-0373 0	1	Oil pad	73	175 019-0492 0	1	Side plate
20	145 510-0492 0	1	Gasket,muffler	74	175 018-0653 0	2	Clutch spring
21	145 806-0632 0	1	Muffler body	75	175 017-0463 0	2	Clutch shoe
22	900 242-0504 0	2	Screw 5x40	76	175 016-0492 0	1	Clutch boss
23	145 876-0632 0	1	Plate	77	150 126-0492 0	1	Ignition coil
24	145 875-0136 0	1	Muffler lid-	78	156 110-0492 0	1	Grommet
25	145 621-0136 0	1	Muffler cover	79	900 242-0402 0	2	Screw 4x20
29	900 242-0503 0	4	Screw 5x30	81	900 242-0401 2	2	Screw 4x12
30	100 213-0593 0	2	Oil seal	82	100 616-0136 0	1	Cover
31	150 114-0492 0	1	Grommet	83	131 910-0136 0	1	Bracket
32	100 200-0136 0	1	Crankcase set	84	131 920-0793 0	1	Cushion
37	-100 215-0393 0	4	Knock pin	85	890 154-0393 0	1	Decal. fuel mix
33	900810-36200	2	Bearing, ball	..	131 004-0493 1	1	Cap ass'y fuel tank
34	100 100-0492 0	1	Crankshaft ass'y	86	-131 017-0493 0	1	Cap.fuel tank
35	100 142-0033 0	1	Woodruff key	87	-131 314-0033 0	1	Check valve
*36	USE KIT	1	Gasket, crankcase	88	-131 015-0493 1	1	Check valve holder
38	156 114-0492 0	1	Grommet	89	131 010-0136 0	1	Fuel tank
41	100 015-0463 0	2	Circlip, piston pin	90	131 205-0653 0	1	Fuel strainer
42	100 010-0733 0	1	Piston	91	131 918-0136 0	1	Bracket
43	100 013-0492 0	1	Piston pin	92	132 115-0492 0	1	Grommet
44	100 011-0593 0	1	Piston ring	93	132 007-0216 0	1	Fuel pipe w/grommet
*45	USE KIT	1	Gasket, cylinder base				
46	101 011-0793 0	1	Cylinder				
47	900 242-0602 2	2	Screw 6x22				
49	900 242-0501 0	1	Screw 5x10				
48	101 514-0136 0	1	Cylinder cover				
50	159 010-0033 0	1	Spark plug				
51	159 011-0051 0	1	Coil spring plug cap				
SAM type				Remarks: * Consists of 3 thru 10. ** Consists of 86 thru 88. 32; Includes 37 63; Includes 64			
26	145 862-0632 0	1	Screen				
27	145 863-0632 0	1	Screen holder				

* Use Gasket Kit, P/N 889 000-0136 1



Key No.	Part Number	Q'ty	Description	Key No.	Part Number	Q'ty	Description
2-1	900 242-0403 0	3	Screw 4x30	2-35	610 308-0136 0	1	Drive gear
2	351 641-0136 0	1	Plate	37	610 426-0136 0	1	Felt
3	351 610-0136 0	1	Front handle	38	610 435-0136 0	1	Felt
4	900 242-0401 2	18	Screw 4x12	39	900 242-0402 2	4	Screw 4x22
5	351 605-0136 0	1	Cushion	40	351 607-013610	2	Cushion
6	900 242-0400 8	3	Screw 4x8	41	900 162-0401 4	6	H.S H bolt 4 x 14
7	351 613-0136 0	1	Bracket	42	900 701-0001 6	1	Circlip 16
8	900 242-0401 2	2	Screw 4x12	43	699 110-0136 0	1	Frame bar
9	351 105-0136 0	1	Cushion	44	697 010-0136 0	1	Cutter
10	351 126-0136 0	1	Plate	45	697 011-0136 0	1	Blade
13	163 400-0136 0	1	Switch	46	699 116-0136 0	5	Lock nut 5
14	890 157-1113 0	1	Decal switch	47	699 111-0136 0	5	Spacer
15	900 340-5003 2	1	Spring pin 5 x 32	48	900 105-0501 2	5	H S H. bolt 5x12
16	900 340-4001 6	1	Spring pin 4 x 16	49	351 805-0136 0	1	Guard
17	900 340-3001 4	1	Spring pin 3 x 14	50	900 242-0501 2	2	Screw 5x12
18	351 111-0136 0	1	Grip	51	900 242-0401 4	6	Screw 4x14
19	351 110-0136 0	1	Handle	52	610 414-0136 0	1	Gasket, gear housing
20	178 011-0136 0	1	Throttle rod	53	610 442-0136 0	1	Needle bearing
21	178 010-0136 0	1	Throttle trigger	54	610 411-0136 0	1	Cover, gear housing
22	178 091-0136 0	1	Spring safety lock	58	895 410-0793 0	1	Wrench W/S driver
23	178 090-0136 0	1	Safety lock	59	880 300-0136 0	1	Grease gun
26	175 005-0136 0	1	Clutch drum	60	895 123-0383 0	1	Spanner 10x13
27	900 100-0800 8	1	Bolt 8x8				
28	610 410-0136 0	1	Gear housing				
29	162 010-0136 0	1	Ground lead				
30	351 107-0136 0	1	Cushion				
31	900 802-0600 3	1	Ball bearing 6003				
32	900 702-0003 5	1	Circlip 35				
33	100 215-0393 0	1	Knock pin				
34	610 309-0136 0	1	Shaft, P.T.O				

HC-140



Key No.	Part Number	Q'ty	Description	Key No.	Part Number	Q'ty	Description
3 -	123 000-0136 0	1	Carburetor ass'y (WA)	3-20	-123 113-0393 0	1	Spring, throttle return
1	A	5	Screw	21	-123 116-0653 0	1	Valve, throttle
2	-123 142-0393 0	1	Cover, metring diaphragm	22	-123 114-0393 0	1	Screw, throttle valve
3	A B	1	Diaphragm metering	23	A	1	Screen, inlet
4	A B	1	Gasket, m./diaphragm	24	A B	1	Diaphragm fuel pump
5	-123 167-0523 0	1	Screw circuit plate	25	A B	1	Gasket, fuel pump
6	-123 166-0393 0	1	plate, circuit	26	-123 124-0136 0	1	Cover, fuel pump
7	A B	1	Diaphragm, circuit plate	27	-123 110-0393 0	1	Screw pump cover
8	A B	1	Gasket, circuit plate	28	-123 134-0632 0	1	Screw, idle adjustment
9	A	1	Lever, metering	29	-123 133-0632 0	1	Spring, idle screw
10	A	1	Pin, metering lever	30	-Not Available	1	Body ass'y
11	A	1	Screw, metering lever pin				
12	A	1	Spring, metering lever				
13	A	1	Valve, inlet needle				
14	A	1	Spring, H.S. needle				
15	-123 120-0653 0	1	Needle, high speed				
16	A	1	Spring, idle needle				
17	-123 118-0653 0	1	Needle, idle				
18	-123 127-0393 0	1	Clip, throttle shaft				
19	-123 117-0136 0	1	Shaft, throttle				

Remarks:

• Consists of 1 thru 30.

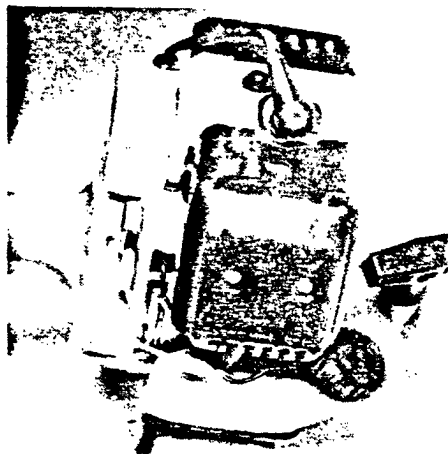
A - KWIK KIT 123 100-0652 0

B - DIAPRAGHM KIT 123 101-0393 0



ELECTRONIC IGNITION CONVERSION KIT

P/N 152004-21930



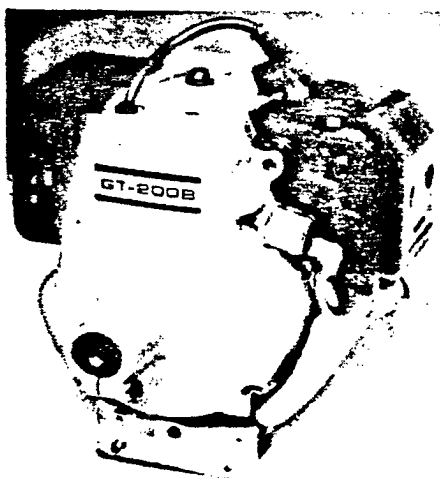
Now you can convert older, breaker-point ignition trimmers to trouble-free, electronic ignition.

This Conversion Kit includes all necessary parts: leads, clip, bracket and fasteners.

Installation is simple and quick...no engine disassembly required.

One kit fits these ECHO models:

GT-140, A, B	SRM-140D, DA
GTL-140, A	KEH-140DA
GT-160	SRM-200
GT-160A	HC-140
GT-200, B	HC-160, A
G-1AK	



Call your Echo distributor *today!*

SUGGESTED RETAIL PRICE

\$17.00 EACH

ECHO INCORPORATED
Lake Zurich, Il. 60047

**AVAILABLE
JULY 1, 1988**