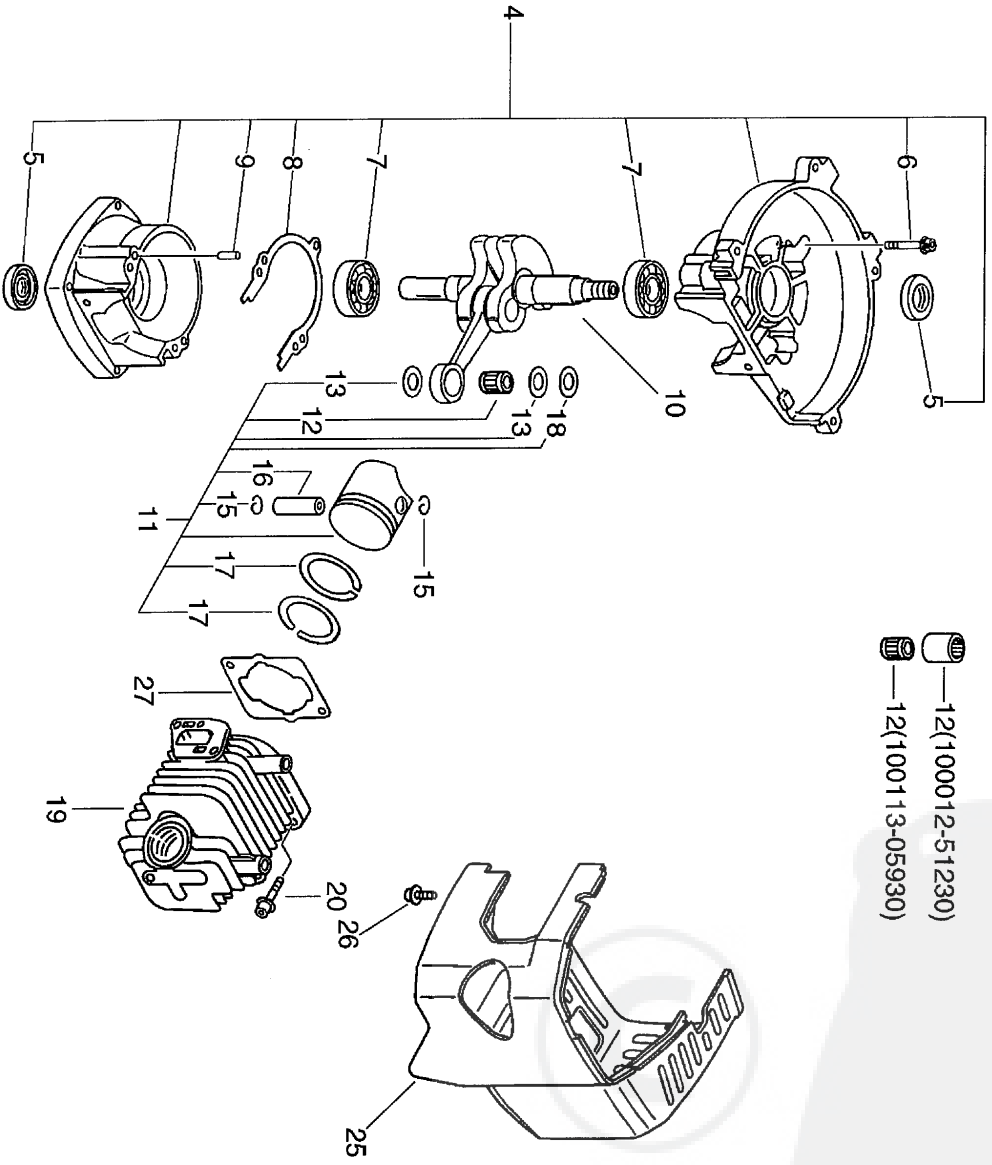


Group: Hedge Trimmers Model: HC-1500 (6digits) (35) (36) Section: Cylinder, Crankcase, Piston (Sr/Nr 36019100 and before) (1)

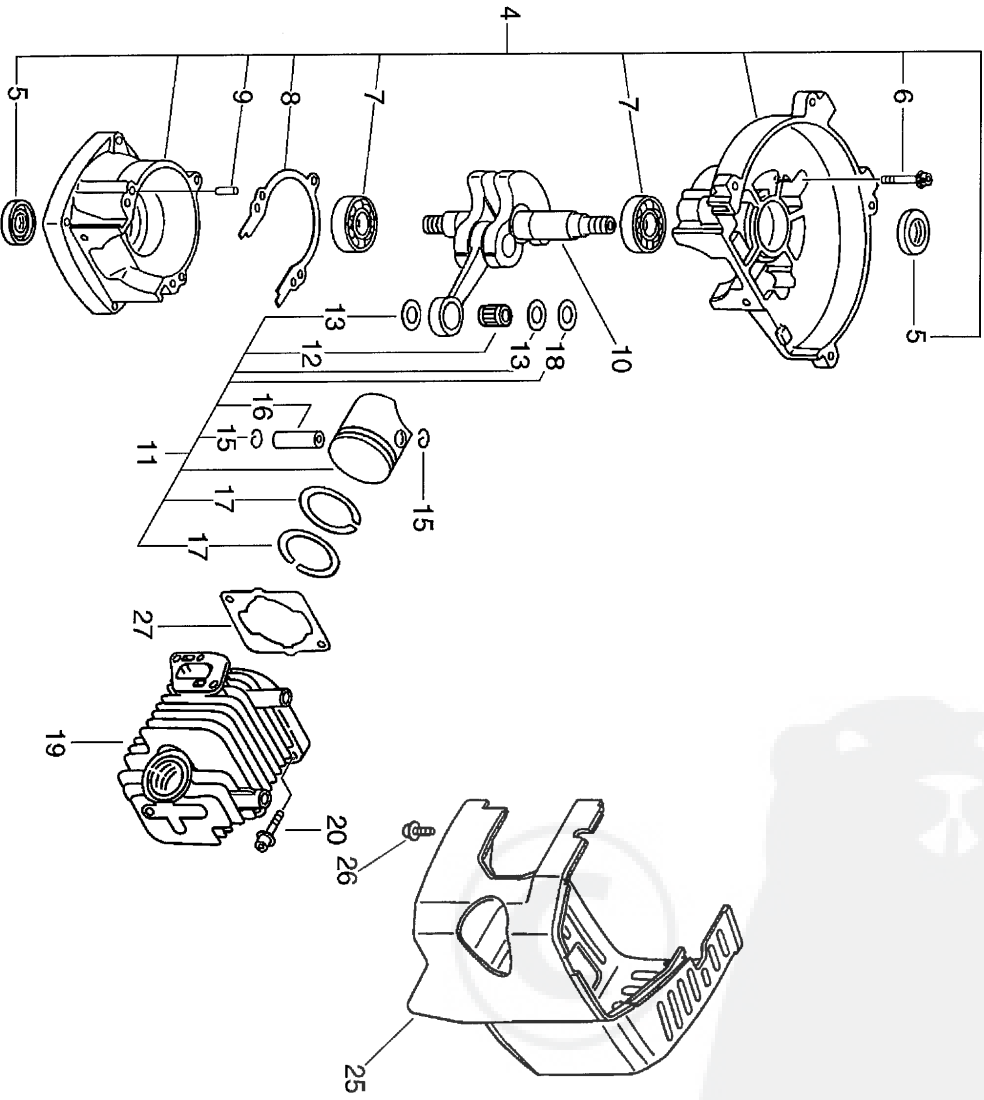


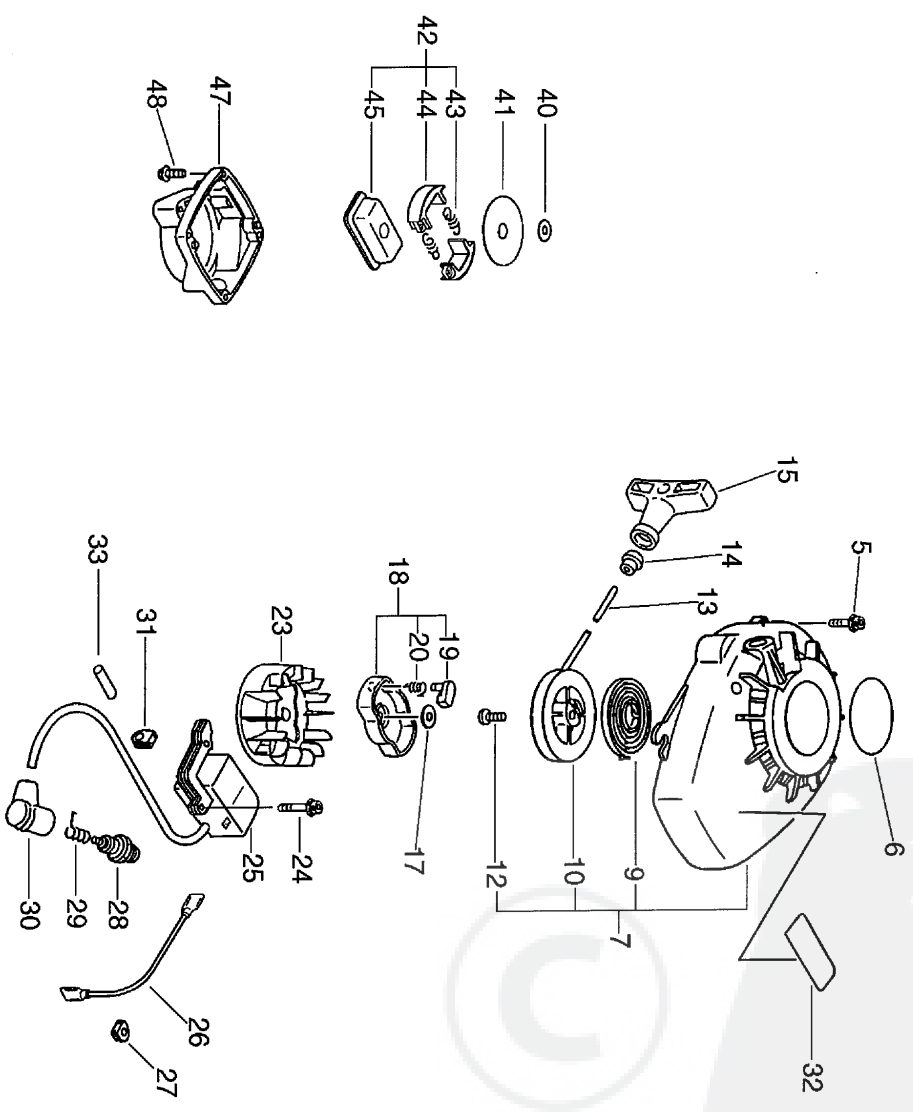
P a r t s L i s t

Group:Hedge Trimmers Model:HC-1500(6digits)(35)(36) Section:Cylinder, Crankcase, Piston(Sr/Nr 36019100 and before) (1)

Date:19-8-2011 Page: 1

Key	Iv	Part Number	Qty	Description	Remarks	Note
4		100204-05360	1	CRANKCASE KIT	Sus. by 100204-05361	
4		100204-05361	1	CRANKCASE KIT		
5 +		100212-42030	2	OILSEAL	Sus. by 100212-42031	
5 +		100212-42031	2	OILSEAL		
6 +		900238-05028	3	SCREW 5*28	Sus. by 900162-05028	
6 +		900162-05028	3	BOLT, H.S. 5*28		
7 +		900810-36201	2	BEARING, BALL 6201	Sus. by 94035-36201	
7 +		94035-36201	2	BEARING, BALL		
8 +		100242-42030	1	GASKET, CRANKCASE		
9 +		100215-03930	2	PIN, DOWEL		
10		100100-05360	1	CRANKSHAFT ASSY	Sus. by 100100-05361	
10		100100-05361	1	CRANKSHAFT ASSY	Sr/Nr 154914 and before	
12 +		100012-11520	1	BEARING, NEEDLE		
12 +		100012-51230	1	BEARING, NEEDLE	Sr/Nr 154914 and before	
10		100100-06560	1	CRANKSHAFT ASSY	Sus. by 1100100-06564	
10		100100-06561	1	CRANKSHAFT	Sus. by 1100100-06564	
10		100100-06562	1	CRANKSHAFT	Sus. by 1100100-06564	
10		100100-06563	1	CRANKSHAFT	Sus. by 1100100-06564	
10		100100-06564	1	CRANKSHAFT	Sr/Nr 154915 and after	
11		100000-44330	1	PISTON KIT	Sr/Nr 154914 and before	
11		100000-07760	1	PISTON KIT	Sus. by 100000-06962	
11		100000-06961	1	PISTON KIT	Sus. by 100000-06962	
11		100000-06962	1	PISTON KIT	Sr/Nr 154915 to 237490	
11		P021-001111	1	PISTON KIT	Sus. by P021-001113	
11		P021-001112	1	PISTON KIT	Sus. by P021-001113	
11		P021-001113	1	PISTON KIT	Sr/Nr 237491 and after	
12 +		100113-05930	1	BEARING, NEEDLE	Sr/Nr 154915 and after	
13 +		100014-11520	2	SPACER, PISTON PIN	Sr/Nr 154914 and before	





P a r t s L i s t

Group:Hedge Trimmers Model:HC-150016(digits) (35) (36) Section:Starter, Magneto, Clutch(Sr/Nr 36019100 and before) (3)

Date:19-8-2011 Page: 1

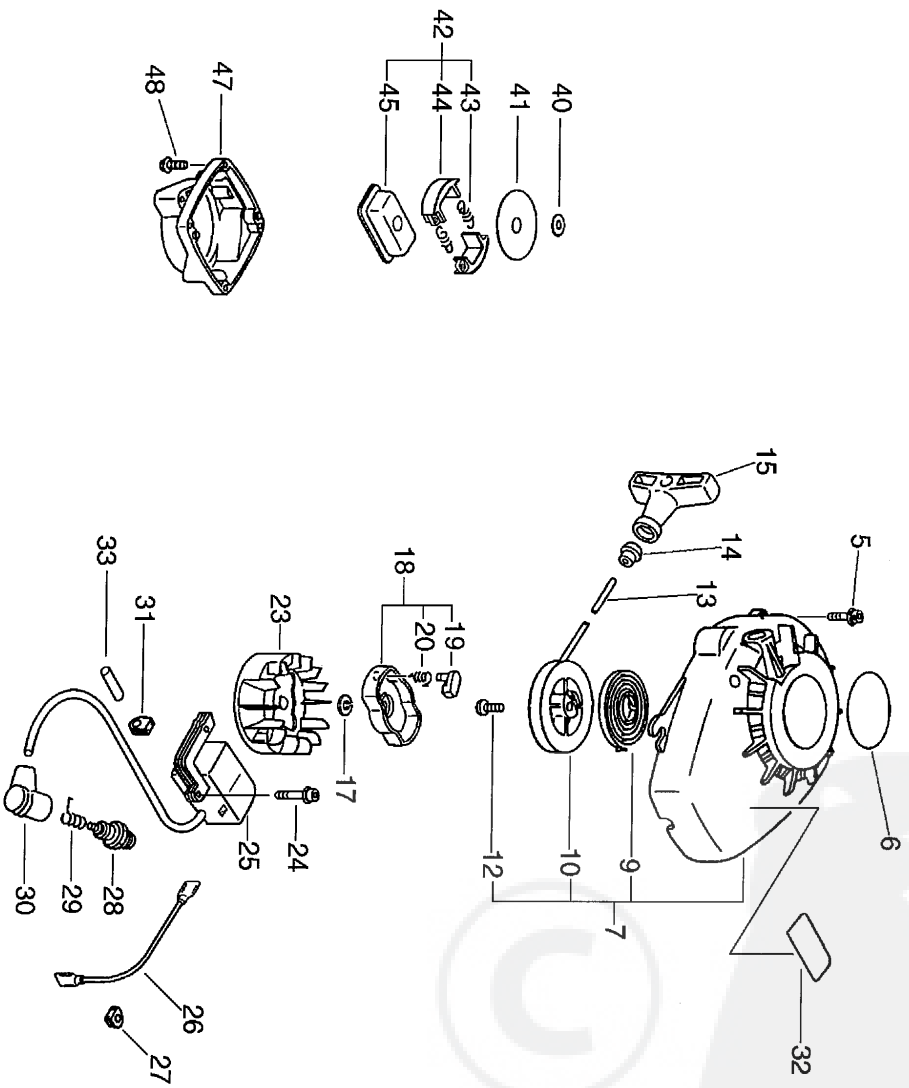
Key	Lv	Part Number	Q'ty	Description	Remarks	Note
5		900238-04016	4	SCREW 4*16	Sus. by 900163-04016	
5		900162-04016	4	BOLT, H.S. 4*16	Sus. by 900163-04016	
5		900163-04016	4	BOLT HSH		
6		890118-49130	1	LABEL, ECHO	Sus. by 890115-06562	
6		890115-06561	1	LABEL, MODEL	Sus. by 890115-06562	
6		890115-06562	1	LABEL, MODEL	Sus. by X502-000330	
7		177200-06561	1	STARTER ASSY	Sus. by 177200-12220	
7		177200-12220	1	STARTER ASY	Sr/Nr 35501400 and before	
7		177200-06562	1	STARTER ASSY	Sus. by 177200-06563	
7		177200-06563	1	STARTER ASSY	Sr/Nr 35501401 to 36019100	
9+		177220-42030	1	SPRING, REMIND		
10+		177215-42030	1	DRUM, STARTER	Sus. by 177215-44430	
10+		177215-44430	1	DRUM, STARTER		
12+		177236-44330	1	SCREW		
13+		177226-05530	1	ROPE, STARTER		
14+		177227-42030	1	GUIDE, ROPE		
15+		177228-06530	1	GRIP, STARTER	Sus. by 177228-11120	
15+		177228-11120	1	GRIP, STARTER	Sr/Nr 35501400 and before	
15+		177228-06530	1	GRIP, STARTER	Sr/Nr 35501401 and after	
17		900605-00008	1	WASHER, SPRING 8		
18		177202-42030	1	PAWL ASSY, STARTER	Sus. by 177202-44331	
18		177202-44330	1	PAWL ASSY, STARTER	Sus. by 177202-44331	
18		177202-44331	1	PAWL ASM., STARTER		
19+		177218-44330	1	PAWL, STARTER		
20+		177234-42030	1	SPRING, RETURN		
23		150801-44330	1	FLYWHEEL	Sus. by 156801-44330	
23		156801-44330	1	FLYWHEEL	Sr/Nr 166990 to 228004	
23		156801-05360	1	ROTOR, MAGNETO	Sr/Nr 228005 and after	

P a r t s L i s t

Group:Hedge Trimmers Model:HC-1500 (6digits) (35) (36) Section:Starter, Magneto, Clutch(Sr/Nr 36019100 and before) (3)

Date:19-8-2011 Page: 2

Key	Part Number	Qty	Description	Remarks	Note
24	900242-04022	1	SCREW 4*22	Sus. by 900162-04022	
24	900162-04022	2	BOLT, H.S. 4*22		
25	150626-11521	1	COIL, IGNITION	Sus. by 156626-11820	
25	156626-11520	1	COIL, IGNITION	Sus. by 156626-11820	
25	156626-11820	1	COIL, IGNITION	Sr/Nr 166990 to 228004	
25	156626-05360	1	COIL, IGNITION	Sus. by 156601-52130	
25	156601-52130	1	COIL, IGNITION	Sus. by A411-000080	
25	A411-000080	1	COIL,IGNITION	Sr/Nr 228005 and after	
26	162021-52830	1	LRAD	Sr/Nr 228005 and after	
27	156114-04920	1	GROWWER	Sr/Nr 228005 and after	
28	159010-13930	1	PLUG, SPARK (CJ-8Y)	Sus. by 159017-12330	
28	159017-12330	1	PLUG, SPARK (RCJ-8Y)		
29	159011-03432	1	COIL, SPARK PLUG CAP		
30	159012-01620	1	CAP, SPARK PLUG	Sus. by 159012-03433	
30	159012-03433	1	CAP, SPARK PLUG		
31	156110-04920	1	BUSHING		
32	890115-06560	1	LABEL, MODEL	Sus.by 890617-07660	
32	890310-06961	1	LABEL, MODEL	Sus.by 890617-07660	
32	890617-12620	1	LABEL, CAUTION	Sus.by 890617-07660	
32	890617-07660	1	LABEL, CAUTION	Sus.by X543-000920	
33	V475-001900	1	TUBE		
40	175014-05360	1	WASHER, CLUTCH		
41	175019-04920	1	PIANE, CLUTCH		
42	175000-06531	1	CLUTCH ASSY	Sus. by 175000-06560	
42	175000-06560	1	CLUTCH ASSY		
43 +	175018-06530	2	SPRING, CLUTCH	Sr/Nr 163150 and before	
43 +	175018-05960	2	SPRING, CLUTCH	Sr/Nr 163151 and after	
44 +	175017-04631	2	SHOE, CLUTCH	Sr/Nr 163150 and before	

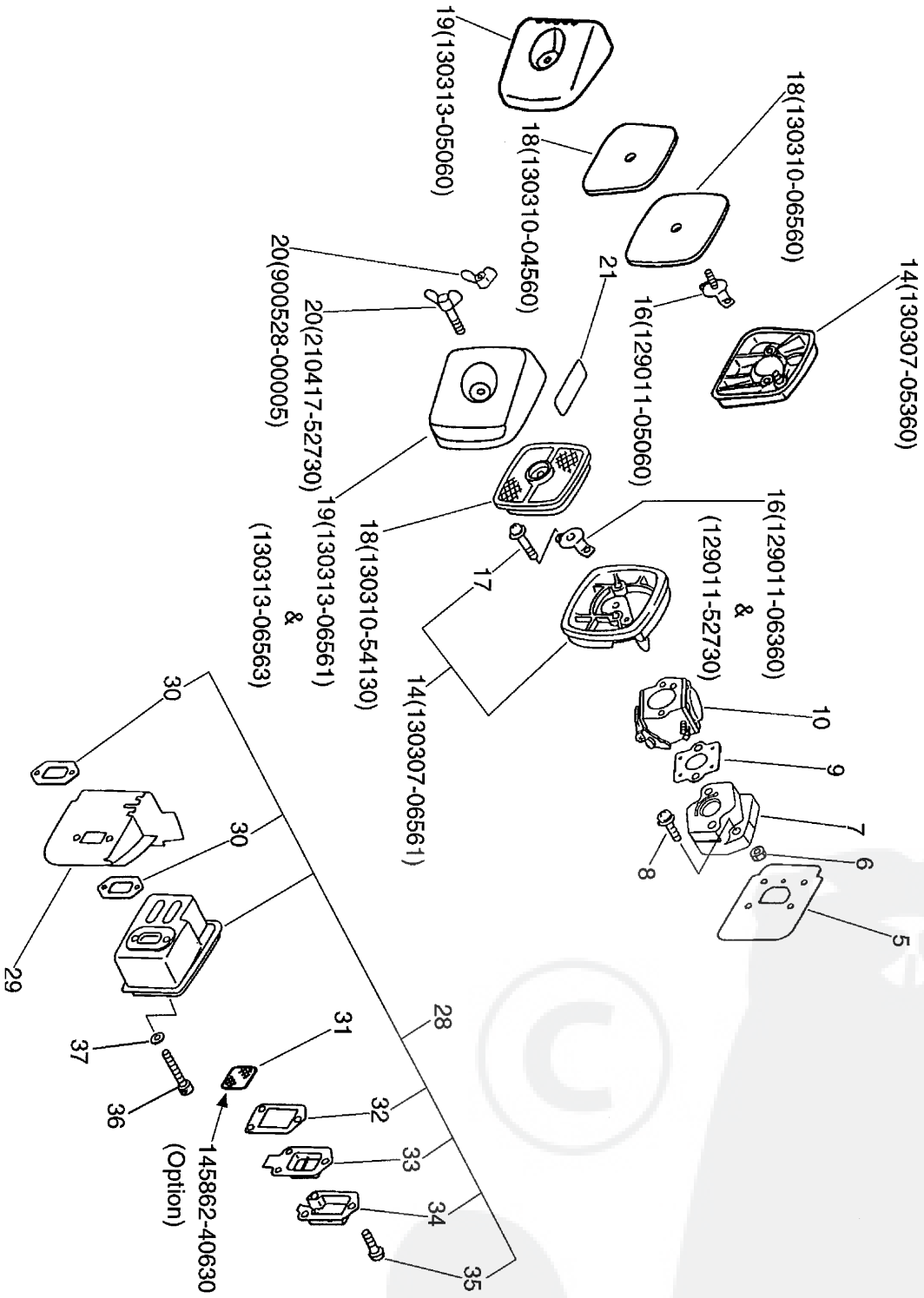


P a r t s L i s t

Group:Hedge Trimmers Model:HC-1500(6digits) (35) (36) Section:Starter, Magneto, Clutch(Sr/Nr 36019101 and after) (4)

Date:19-8-2011 Page: 1

Key	Lv Part Number	Q'ty	Description	Remarks	Note
5	900162-04016	4	BOLT, H.S. 4*16		
6	890115-06562	1	LABEL, MODEL	Sus. by X502-000330	
6	X502-000330	1	LABEL,ECHO		
7	177200-05363	1	STARTER ASSEMBLY	Sr/Nr 36019101 and after	
9 +	177220-42030	1	SPRING, REMIND		
10 +	177215-44430	1	DRUM, STARTER		
12 +	177236-44330	1	SCREW		
13 +	177226-05530	1	ROPE, STARTER		
14 +	177227-42030	1	GUIDE, ROPE		
15 +	177228-06530	1	GRIP, STARTER		
17	900605-00008	1	WASHER, SPRING 8		
18	177202-44331	1	PAWL ASM., STARTER		
19 +	177218-44330	1	PAWL, STARTER		
20 +	177234-42030	1	SPRING, RETURN		
23	156801-05360	1	ROTOR, MAGNETO		
24	900162-04022	2	BOLT, H.S. 4*22		
25	A411-000080	1	COIL, IGNITION		
26	162021-52830	1	LRAD		
27	156114-04920	1	GROWER		
28	159017-12330	1	PLUG, SPARK (RCJ-8Y)		
29	159011-03432	1	COIL, SPARK PLUG		
30	159012-03433	1	CAP, SPARK PLUG		
31	156110-04920	1	BUSHING		
32	890617-07660	1	LABEL, CAUTION	Sus. by X543-000920	
32	X543-000920	1	LABEL,MODEL		
33	V475-001900	1	TUBE		
40	175014-05360	1	WASHER, CLUTCH		
41	175019-04920	1	PLATE, CLUTCH		



P a r t s L i s t

Group:Hedge Trimmers Model:HC-1500(6digits) (35) (36) Section:Air Cleaner, Muffler(Sr/Nr 36019100 and before) (5)

Date:19-8-2011 Page: 1

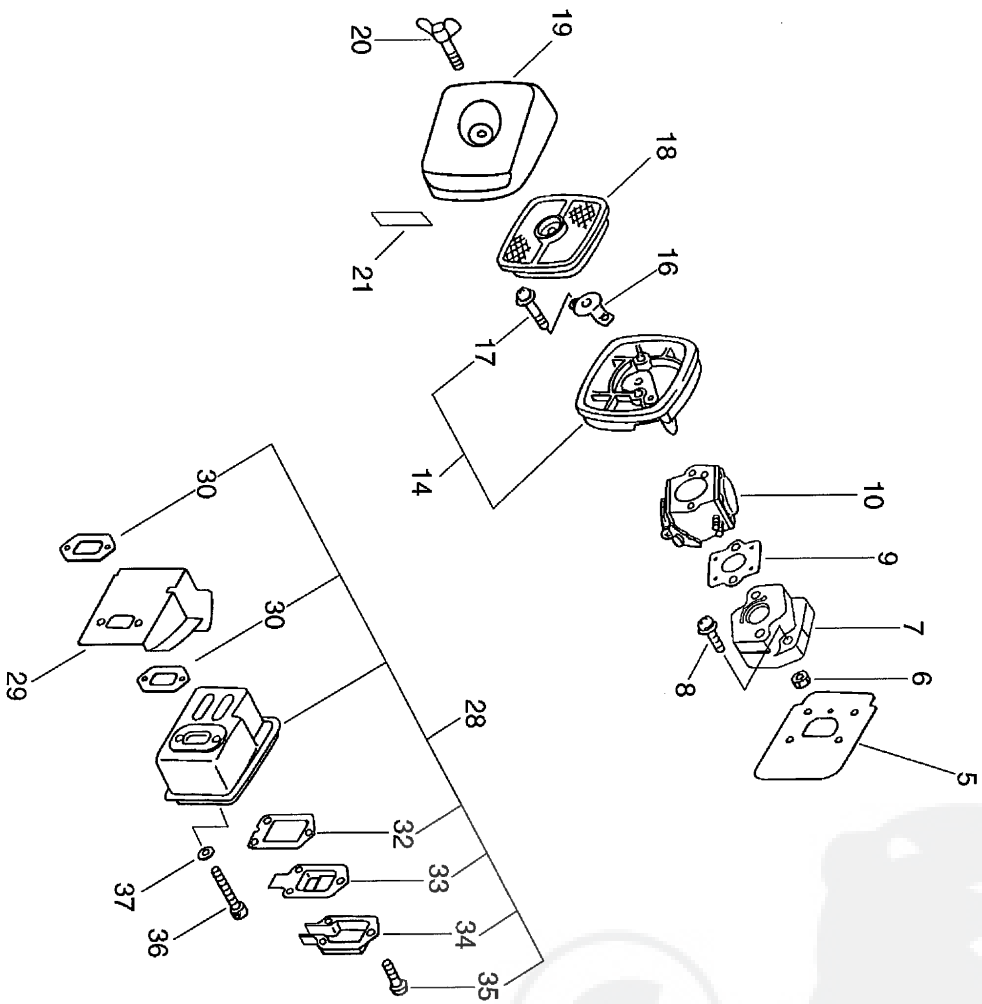
Key	Lv	Part Number	Q'ty	Description	Remarks	Note
5		130010-42030	1	GASKET, INSULATOR	Sus. by 130010-42032	
5		130010-42031	1	GASKET	Sus. by 130010-42032	
5		130010-42032	1	GASKET, INTAKE		
6		900500-00005	2	NUT 5		
7		130017-42031	1	INSULATOR, INTAKE		
8		900238-05020	2	SCREW 5*20		
9		V103-000111	1	GASKET, IMPAKE	Sr/Nr 35501400 and before	
9		130016-42031	1	GASKET, INTAKE	Sr/Nr 35501401 and after	
10		125200-11520	1	CARBURETOR ASSY	Sus. by 125200-11521	
10		125200-11521	1	CARBURETOR ASSY	Sr/Nr 035000 and before	
10		125200-05360	1	CARBURETOR ASSY	Sus. by 125200-11823	
10		125200-05361	1	CARBURETOR ASSY	Sus. by 125200-11823	
10		125200-11823	1	CARBURETOR ASSY	Sr/Nr 035001 to 154914	
10		125200-08460	1	CARBURETOR ASSY	Sus. by 125200-05964	
10		125200-05961	1	CARBURETOR ASSY	Sus. by 125200-05964	
10		125200-05962	1	CARBURETOR ASSY	Sus. by 125200-05964	
10		125200-05963	1	CARBURETOR ASSY	Sus. by 125200-05964	
10		125200-05964	1	CARBURETOR ASSY	Sr/Nr 154915 and after	
14		130307-05360	1	CASE, AIR CLEANER	Sr/Nr 067541 and before	
14		130307-06560	1	CASE, AIR CLEANER	Sus. by 130307-06561	
17		900242-05064	2	SCREW 5*64	Sr/Nr 067542 to 091463	
14		130307-06561	1	CASE, AIR CLEANER	Sus. by P021-002921	
14		P021-002921	1	CASE, AIR CLEANER	Sr/Nr 067542 to 36019100	
17	+	900242-05065	2	SCREW 5*65	Sr/Nr 091464 and after	
16		129011-05060	1	PLATE	Sr/Nr 151956 and before	
16		129011-06360	1	PLATE, PREVENT	Sus. by 129011-52730	
16		129011-52730	1	PLATE, PREVENT	Sr/Nr 151957 and after	
18		130310-04560	1	FILTER, AIR	Sr/Nr 067541 and before	

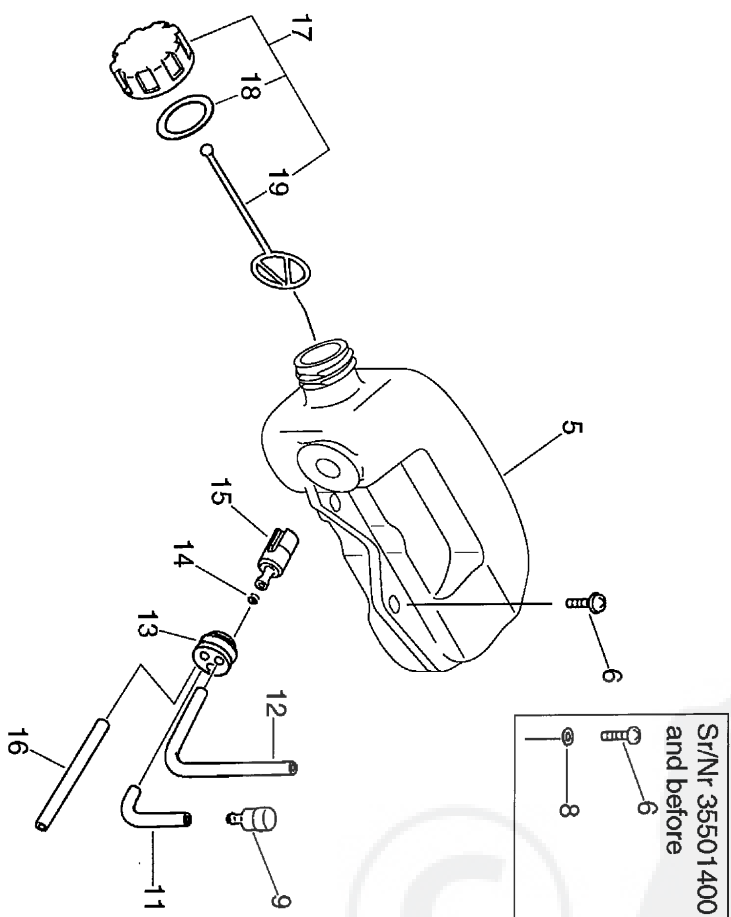
P a r t s L i s t

Group:Hedge Trimmers Model:HC-1500(6digits) (35) (36) Section:Air Cleaner, Muffler(sr/Nr 36019100 and before) (5)

Date:19-8-2011 Page: 2

Key	Lv	Part Number	Q'ty	Description	Remarks	Note
18		130310-06560	1	FILTER, AIR	Sr/Nr 067542 to 151956	
18		130310-54130	1	FILTER, AIR	Sr/Nr 151957 and after	
19		130313-44330	1	COVER, AIR CLEANER	Sus. by 130313-05060	
19		130313-44331	1	COVER, AIR CLEANER	Sus. by 130313-05060	
19		130313-05060	1	COVER, AIR CLEANER	Sr/Nr 067541 and before	
19		130313-06560	1	COVER, AIR CLEANER	Sus. by 130313-06561	
19		130313-06561	1	COVER, AIR CLEANER	Sr/Nr 067542 to 151956	
19		130313-06563	1	LID, AIR CLEANER	Sr/Nr 151957 to 3619100	
20		900528-00005	1	NUT	Sr/Nr 151956 and before	
20		210417-52730	1	BOLT, WING	Sr/Nr 151957 and after	
21		890121-06360	1	LABEL, CHOKE	Sus. by 890121-05360	
21		890121-05360	1	LABEL, METERING		
29		145871-05360	1	COVER, MUFFLER		
28		145802-05360	1	MUFFLER ASY	Sus. by 145802-05361	
28		145802-05361	1	MUFFLER ASY		
30	+	145510-42031	2	GASKET, MUFFLER	Sus. by V104-000160	
30	+	V104-000160	2	GASKET, EXHAUST		
31	+	145862-40630	1	SCREEN, MUFFLER	OPTION	
32	+	145866-42031	1	GASKET, MUFFLER LID		
33	+	145876-42030	1	LID, MUFFLER (B)		
34	+	145863-42030	1	HOLDER, SCREEN	Sus. by A313-000010	
34	+	145863-06560	1	GUIDE, EXHAUST	Sus. by A313-000010	
34	+	A313-000010	1	GUIDE, EXHAUST		
35	+	900242-04010	3	SCREW 4*10		
36		900105-05050	2	BOFF, H.S. 5*50		
37		900600-00005	2	WASHER 5		





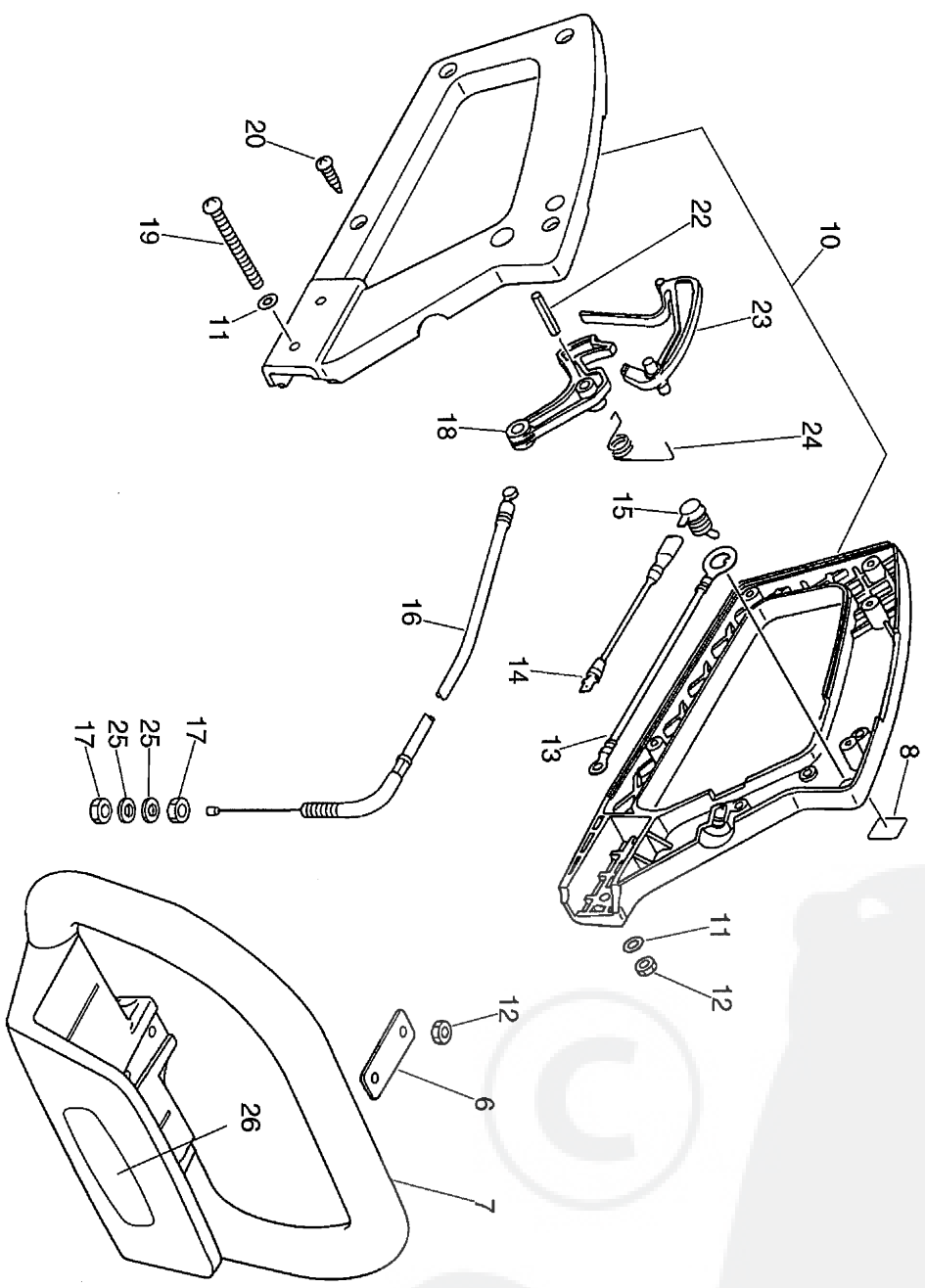
P a r t s L i s t

Group:Hedge Trimmers Model:HC-1500(6digits) (35) (36) Section:Fuel Tank (7)

Date:19-8-2011 Page: 1

Key	Lv	Part Number	Q'ty	Description	Remarks	Note
5		131005-05360	1	TANK, FUEL	Sus. by 131005-05361	
5		131005-05361	1	TANK, FUEL	Sr/Nr 35509250 and before	
5		A350-000270	1	TANK, FUEL	Sus. by A350-000272	
5		A350-000271	1	TANK, FUEL	Sus. by A350-000272	
5		A350-000272	1	TANK, FUEL	Sr/Nr 35509251 and after	
6		900238-05016	2	SCREW 5*16		
8		900603-00005	2	WASHER 5	Sr/Nr 35501400 and before	
9		131300-40630	1	VALVE, CHECK	Sus. by A356-000030	
9		131300-56430	1	VALVE, CHECK	Sus. by A356-000030	
9		131300-40630	1	VALVE, CHECK	Sus. by A356-000030	
9		A356-000030	1	VALVE, CHECK		
11		131312-44330	1	PIPE, 3*5*70L	Sus. by V471-001200	
11		131312-39130	1	PIPE	Sus. by V471-001200	
11		131312-44330	1	PIPE	Sus. by V471-001200	
11		V471-001200	1	PIPE		
12		132010-07530	1	PIPE, FUEL	Sus. by V470-000580	
12		V470-000580	1	PIPE		
13		132115-46730	1	GROMMET, FUEL		
14		132013-09820	1	CLIP		
15		131205-07320	1	STRAINER, FUEL		
16		132717-06460	1	PIPE 3*5*110	Sus. by 132010-06460	
16		132010-06460	1	PIPE 3* 6*110		
17		131004-48730	1	CAP ASSY, FUEL TANK	Sus. by 131004-55730	
17		131004-55730	1	CAP ASSY, FUEL TANK	Sus. by 131004-06560	
17		131004-06560	1	CAP ASSY, FUEL TANK	Sus. by 131004-08960	
17		131004-08960	1	CAP ASSY, FUEL		
18 +		131016-40930	1	GASKET, FUEL CAP	Can be used on the 131004-06560	
18 +		131016-55830	1	GASKET, FUEL CAP	Can be used on the 131004-08960	

Group: Hedge Trimmers Model: HC-1500 (6digits) (35) (36) Section: Handle (Sr/Nr 36019100 and before) (8)



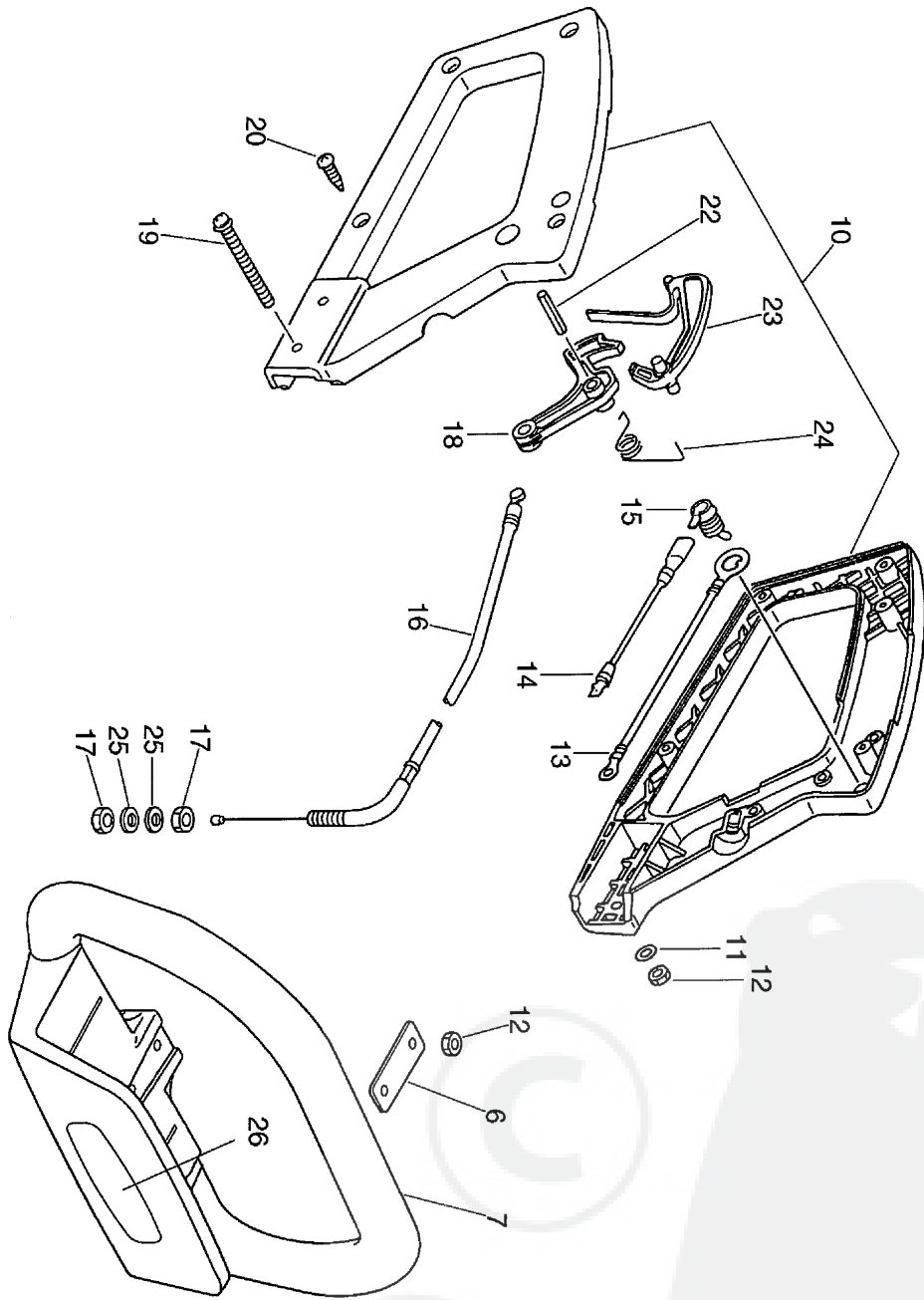
P a r t s L i s t

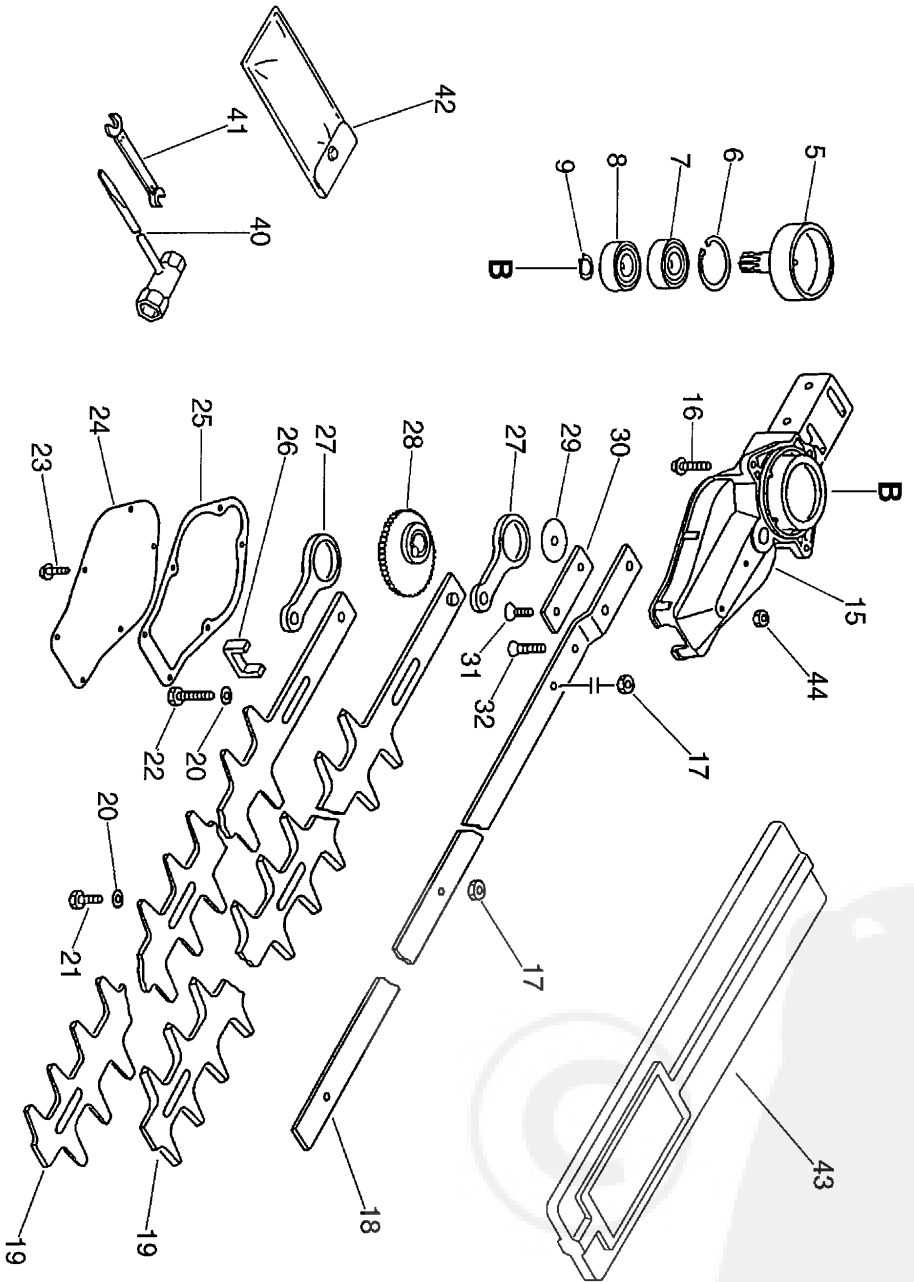
Group:Hedge Trimmers Model:HC-1500(6digits) (35) (36) Section:Handle(Sr/Nr 36019100 and before) (8)

Date:19-8-2011 Page: 1

Key	Lv	Part Number	Q'ty	Description	Remarks	Note
6		351611-05360	1	WASHER		
7		351610-05360	1	HANDLE, FRONT		
8		890157-06560	1	LABEL, SWITCH		
10		351100-06560	1	HANDLE SET, REAR		
11		900602-00005	4	WASHER 5	Sus. by 900600-00005	
11		900600-00005	4	WASHER 5		
12		900560-00005	3	NUT, LOCK		
13		162010-05360	1	LEAD, GROUND		
14		162014-05360	1	LEAD, GROUND		
15		163400-03460	1	SWITCH, IGNITION		
16		178001-05360	1	WIRE, THROTTLE		
17		900502-00006	2	NUT 6 (3N)		
18		178010-06560	1	CONTROL, THROTTLE		
19		900220-05050	2	SCREW 5*50	Sr/Nr 35501401 and after	
19		900220-05047	2	SCREW 5*47	Sr/Nr 35501400 and before	
20		900255-04016	5	SCREW 4*16		
22		900342-50025	1	PIN, SPRING 5*25		
23		178090-06560	1	LOCKOUT, T. CONTROL		
24		178043-15130	1	SPRING, THR. RETURN		
25		900600-00006	2	WASHER 6		
26		X502-000260	1	LABEL,ECHO	Sr/Nr 36010411 and after Sus. by X502-000430	

Group: Hedge Trimmers Model: HC-1500 (6digits) (35) (36) Section: Handle (Sr/Nr 36019101 and after) (9)





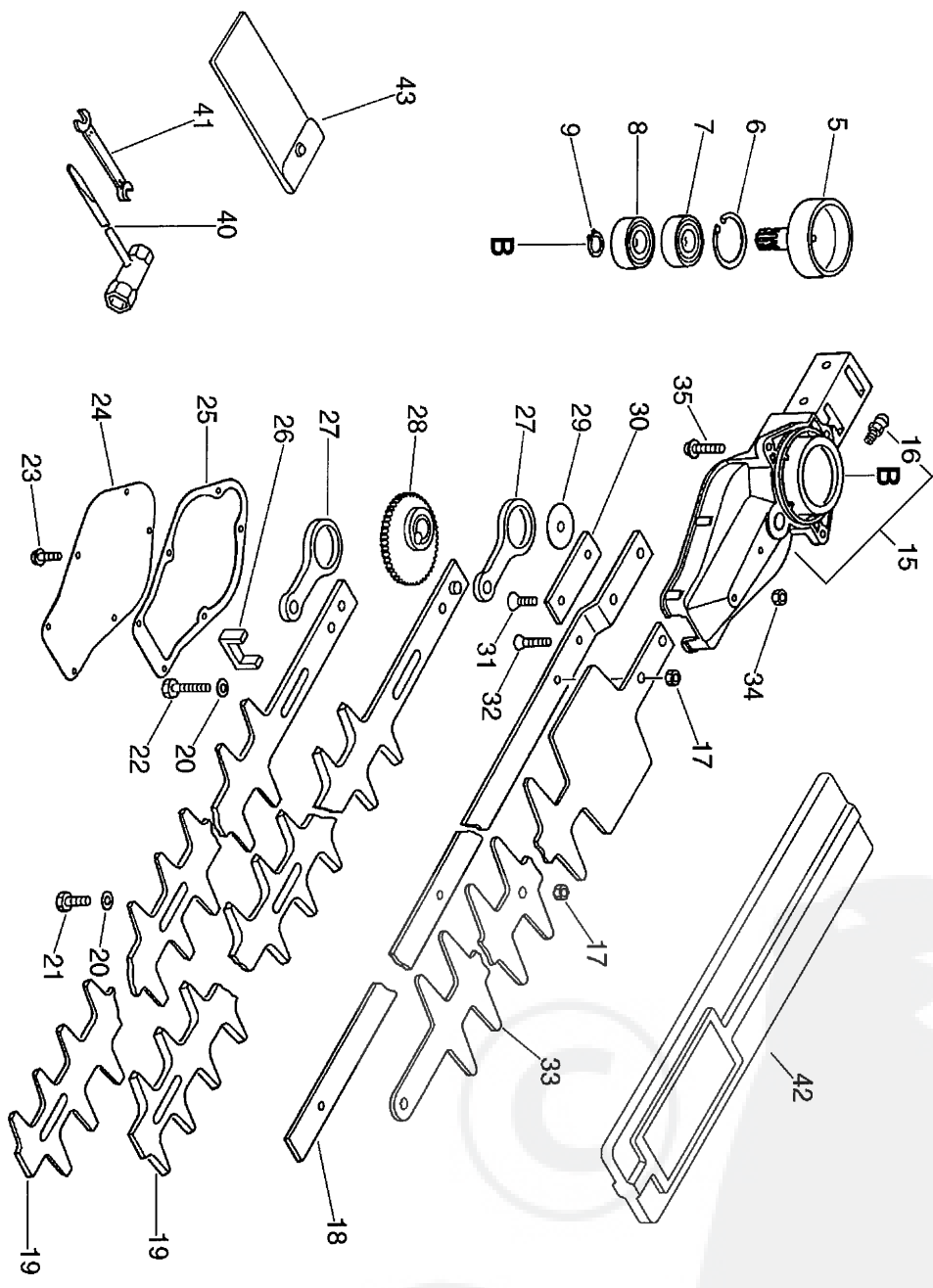
P a r t s L i s t

Group:Hedge Trimmers Model:HC-1500(didigits)(35)(36) Section:Gear Case, Cutter, Tools (Sr/Nr 114000 and before) (10)

Date:19-8-2011 Page: 1

Key	Lv	Part Number	Q'ty	Description	Remarks	Note
		610403-05360	1	HOUSING UNIT, CUTTER		
	5 +	175005-04560	1	DRUM, CLUTCH		
	6 +	900702-00035	1	CIRCLIP 35		
	7 +	900813-36202	1	BEARING, BALL 6202		
	8 +	900810-36202	1	BEARING, BALL 6202		
	9 +	900701-00014	1	CIRCLIP 14		
	15 +	610407-05360	1	CASE, GEAR		
	16 +	900162-05020	3	BOIT, H.S. 5*20		
	17 +	900560-00006	4	NTT, LOCK		
	18 +	699110-05360	1	BAR, FRAME		
	19 +	697010-05360	2	CUTTER		
	20 +	699118-04560	4	WASHER		
	21 +	699115-04560	3	BOIT, CUTTER		
	22 +	699115-05360	1	BOIT		
	23 +	900162-04010	6	BOIT, H.S. 4*10		
	24 +	610411-05361	1	LID, GEARCASE		
	25 +	610414-05360	1	GASKET, GEAR HOUSING		
	26 +	610425-04560	1	SEAL		
	27 +	610330-04560	2	ROD, CONNECTING		
	28 +	610312-04560	1	GEAR		
	29 +	610350-04560	1	WASHER		
	30 +	610440-04560	1	HOLDER, FRAME		
	31 +	900212-06025	2	SCREW 6*25		
	32 +	900212-05030	1	SCREW (5*30*P0.8)		
	40	895410-00430	1	WRENCH, W/S. DRIVER		
	41	895112-00330	1	SPANNER 8*10		
	42	898810-39130	1	BAG, TOOL		
	43	898823-06960	1	SCABBARD, BLADE	Sus. by X495-000051	

Group: Hedge Trimmers Model: HC-1500 (6digits) (35) (36) Section: Gear Case, Cutter, Tools (Sr/Nr 114001 to 199999, 35501401 and after)

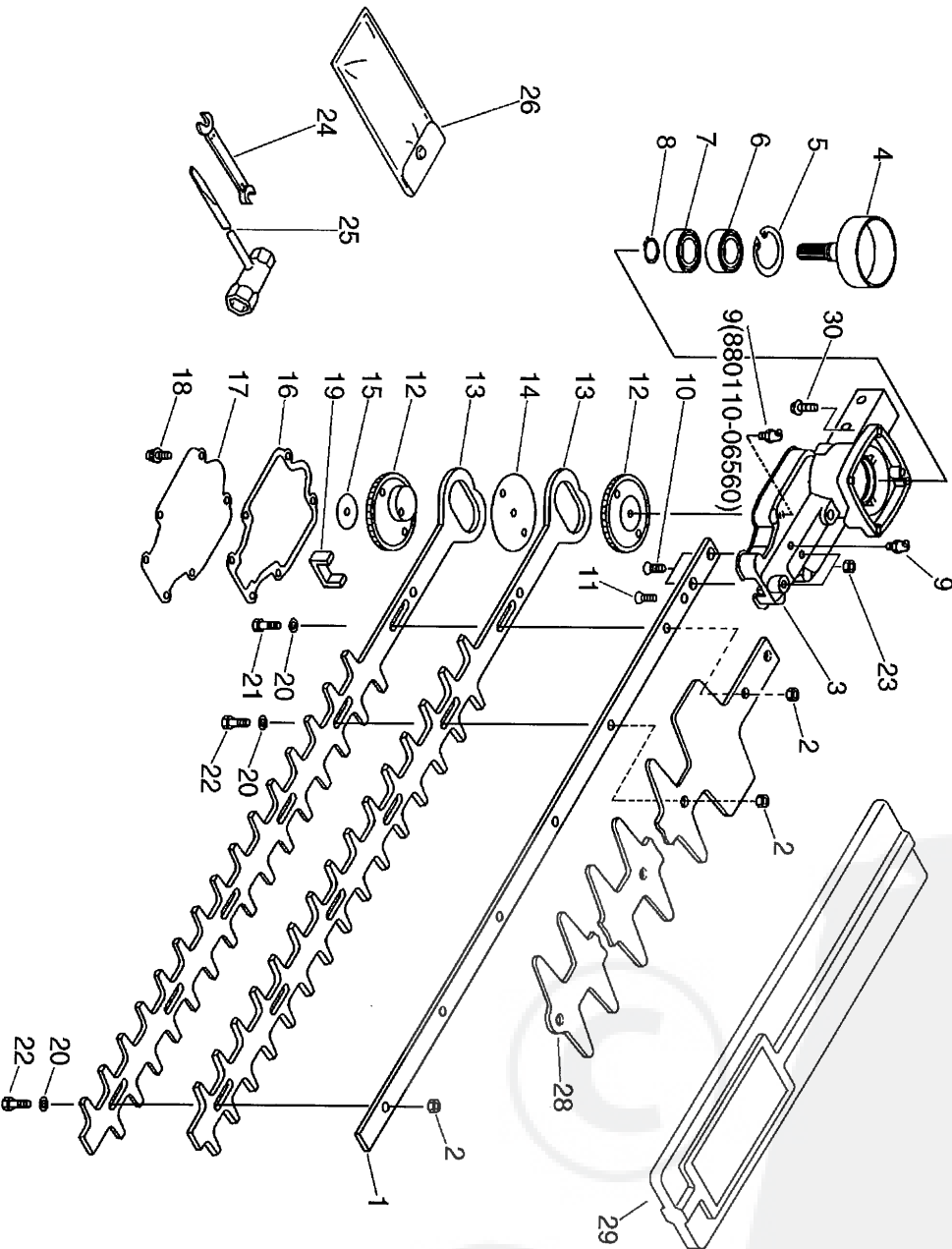


P a r t s L i s t

Group:Hedge Trimmers Model:HC-1500(6digits) (35) (36) Section:Gear Case, Cutter, Tools (Sf/Nr 114001 to 19999, 35501401 and after) (11)

Date:19-8-2011 Page: 1

Key	Lv	Part Number	Q'ty	Description	Remarks	Note
		610403-06960	1	HOUSING UNIT, CUTTER	Sus. by P021-009370	
		610403-06961	1	CASE ASY, GEAR	Sus. by P021-009370	
		610403-06962	1	CASE ASY, GEAR	Sus. by P021-009370	
		610403-06963	1	CASE ASY, GEAR	Sus. by P021-009370	
		610403-06964	1	CASE ASY, GEAR	Sus. by P021-009370	
		P021-009370	1	CASE ASY, GEAR		
		175005-04560	1	DRUM, CLUTCH		
		900702-00035	1	CIRCLIP 35		
		900813-36202	1	BEARING, BALL 6202		
		900810-36202	1	BEARING, BALL 6202		
		900701-00014	1	CIRCLIP 14		
		610407-05360	1	CASE, GEAR	Sus. by 610407-05361	
		610407-05361	1	CASE, GEAR		
		880110-10860	1	NIPPLE, GREASE	Can be used on 610407-05361 only	
		433022-06460	4	NTF		
		699110-06960	1	BAR, FRAME		
		697010-06960	2	CUTTER	Sus. by X411-000280	
		X411-000050	2	CUTTER	Sus. by X411-000280	
		X411-000280	2	CUTTER		
		699118-04560	4	WASHER		
		699115-04660	3	BOLT 6		
		699115-05360	1	BOLT		
		900162-04010	6	BOLT, H.S. 4*10		
		610411-05361	1	LID, GEARCASE		
		610414-05360	1	GASKET, GEAR HOUSING		
		610425-04560	1	SEAL		
		610330-04560	2	ROD, CONNECTING	Sus. by C532-000120	
		610330-04561	2	ROD, CONNECTING	Sus. by C532-000120	

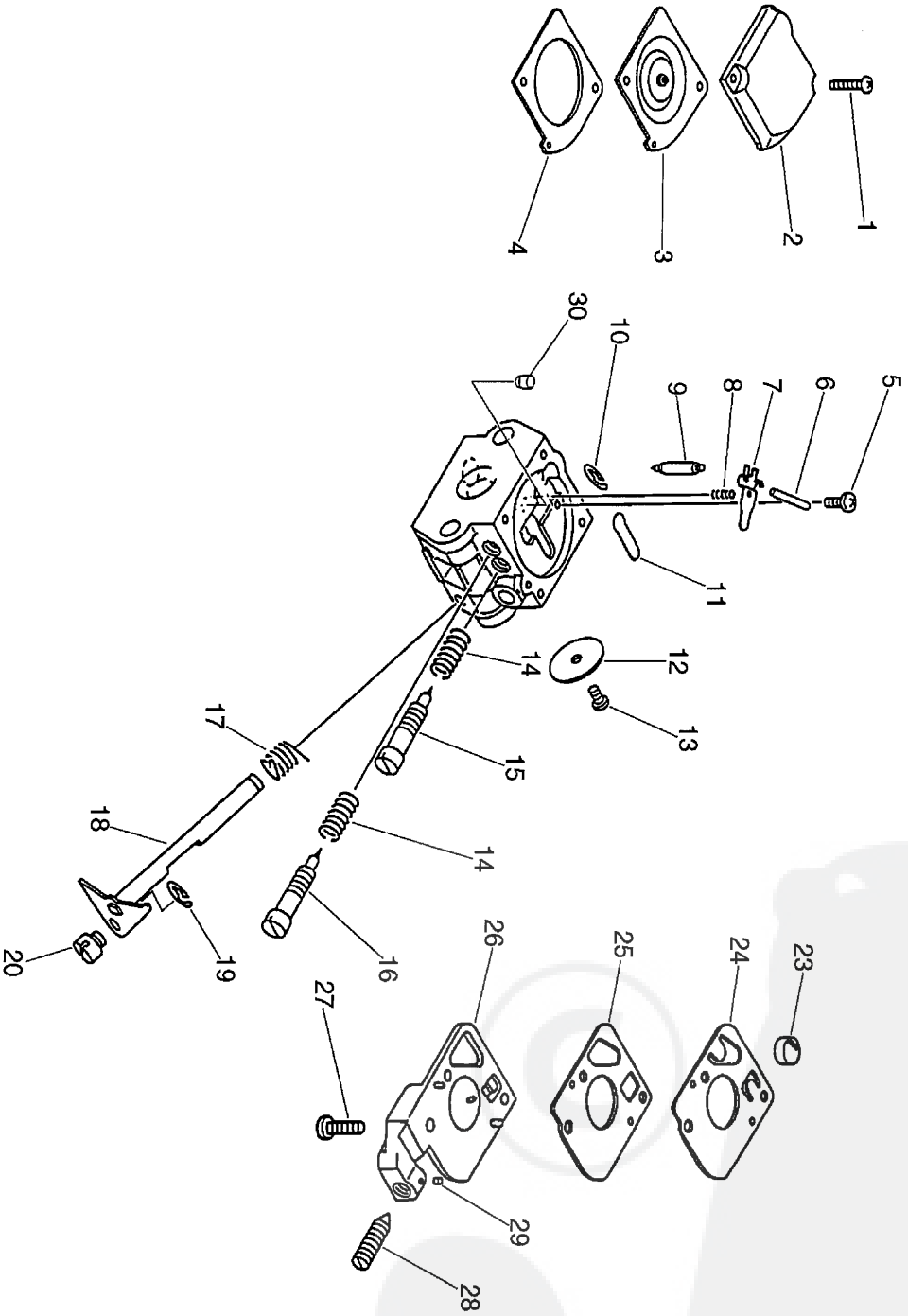


P a r t s L i s t

Group:Hedge Trimmers Model:HC-1500 (6digits) (35) (36) Section:gear Case, Cutter, Tools (Sr/Nr 200000 to 35501400) (12)

Date:19-8-2011 Page: 1

Key	Inv Part Number	Qty	Description	Remarks	Note
1	699117-06560	1	BAR, FRAME	Sus. by X425-000010	
1	X425-000010	1	SUPPORT, CUTTER		
2	433022-06460	6	NUT		
3	610410-06560	1	CASE, GEAR	Sus. by 610407-06560	
3	610407-06560	1	CASE, GEAR		
9 +	880110-54230	1	NIPPLE, GREASE	Sr/Nr 213552 and after	
9	880110-06560	1	NIPPLE, GREASE	Sr/Nr 200000 to 213551	
4	175005-06560	1	DRUM, CLUTCH		
5	900702-00035	1	CIRCLIP 35		
6	900872-36202	1	BEARING, BALL 6202		
7	900870-36202	1	BEARING, BALL 6202		
8	900701-00014	1	CIRCLIP 14		
10	900212-06030	2	SCREW 6*30		
11	900212-05030	1	SCREW (5*30*P0.8)		
12	610312-06560	2	GEAR, SPUR	Sus. by V650-000080	
12	V650-000080	2	GEAR, SPUR		
13	697010-06560	2	CUTTER	Sus. by X411-000270	
13	X411-000020	2	CUTTER	Sus. by X411-000270	
13	X411-000270	2	CUTTER		
14	689025-05360	1	WASHER		
15	689025-06560	1	WASHER		
16	610414-06560	1	GASKET, GEAR HOUSING		
17	610411-06560	1	LID, GEARCASE		
18	900162-04012	6	BOLT, H.S. 4*12		
19	610426-06560	1	SEAL		
20	699118-04560	6	WASHER		
21	699115-06560	1	BOLT		
22	699115-04660	5	BOLT 6		



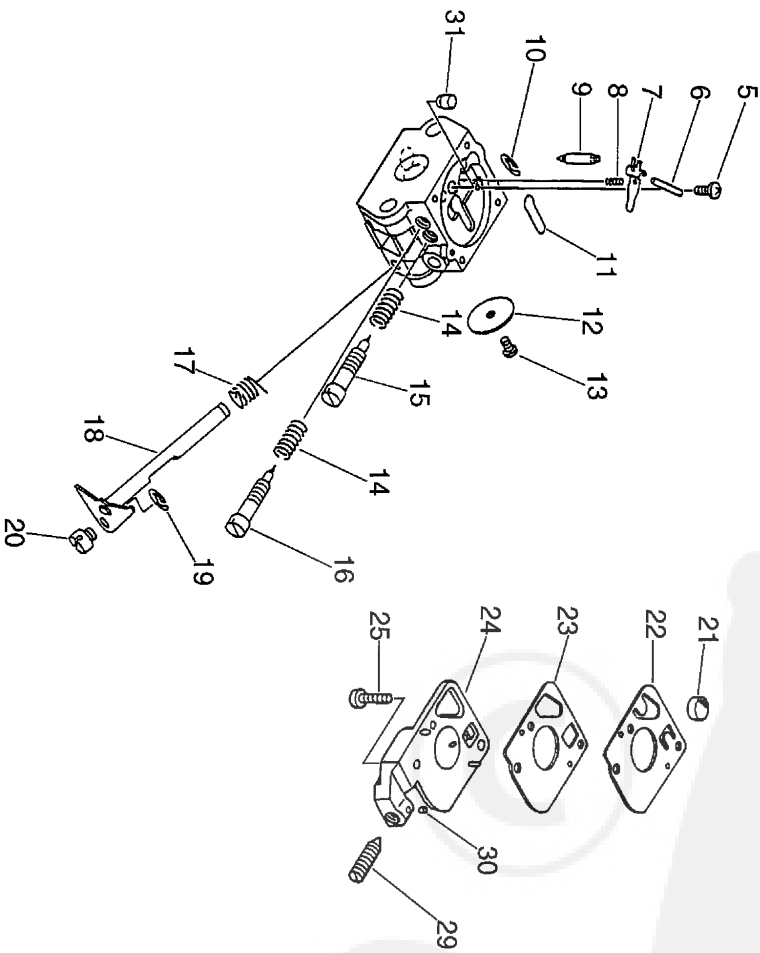
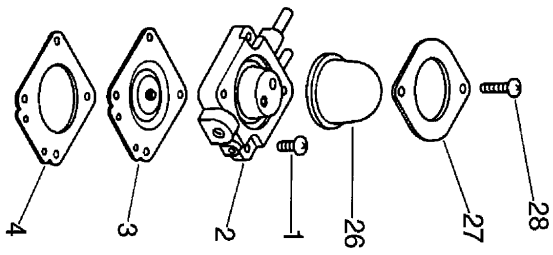
P a r t s L i s t

Group:Hedge Trimmers Model:HC-1500 (edigits) (35) (36) Section:Carburetor (Sr/Nr 035000 and before) (13)

Date:19-8-2011 Page: 1

Key	Qty	Part Number	Description	Remarks	Note
	1	125200-11520	CARBURETOR ASSY	Sus. by 125200-11521	
	1	125200-11521	CARBURETOR ASSY	Sr/Nr 035000 and before	
1 +	2	125344-52130	SCREW		
2 +	1	125342-52130	COVER, DIAPHRAGM	Sus. by 125342-13210	
2 +	1	125342-13210	COVER, DIAPHRAGM		
3 +	1	125341-42030	DIAPHRAGM		
4 +	1	125340-11520	GASKET, DIAPHRAGM		
5 +	1	125339-42030	SCREW		
6 +	1	125338-13930	PIN, METERING ARM		
7 +	1	125323-42030	LEVER, METERING		
8 +	1	125322-42030	SPRING, COIL		
9 +	1	125337-13930	VALVE, NEEDLE	Sus. by 125337-06960	
9 +	1	125337-06960	VALVE, INLET NEEDLE		
10 +	1	125327-15130	CLIP		
11 +	1	125345-15130	PLUG, WELCH		
12 +	1	125316-42030	VALVE, THROTTLE		
13 +	1	125314-13930	SCREW		
14 +	2	125319-42030	SPRING, COIL		
15 +	1	125318-42030	NEEDLE, IDLE		
16 +	1	125320-42030	NEEDLE, HIGH SPEED		
17 +	1	125313-42030	SPRING, THRT. RETURN		
18 +	1	125317-42030	SHAFT, THROTTLE		
19 +	1	125327-13930	CLIP		
20 +	1	125372-42030	SWIVEL		
23 +	1	125326-42030	STRAINER		
24 +	1	125312-42030	DIAPHRAGM, FUEL PUMP		
25 +	1	125325-42030	GASKET, FUEL PUMP	Sus. by 125325-13310	
25 +	1	125325-13310	GASKET, FUEL PUMP		

Group: Hedge Trimmers Model: HC-1500 (6digits) (35) (36) Section: Carburetor (Sr/Nr 035001 to 154914) (14)



P a r t s L i s t

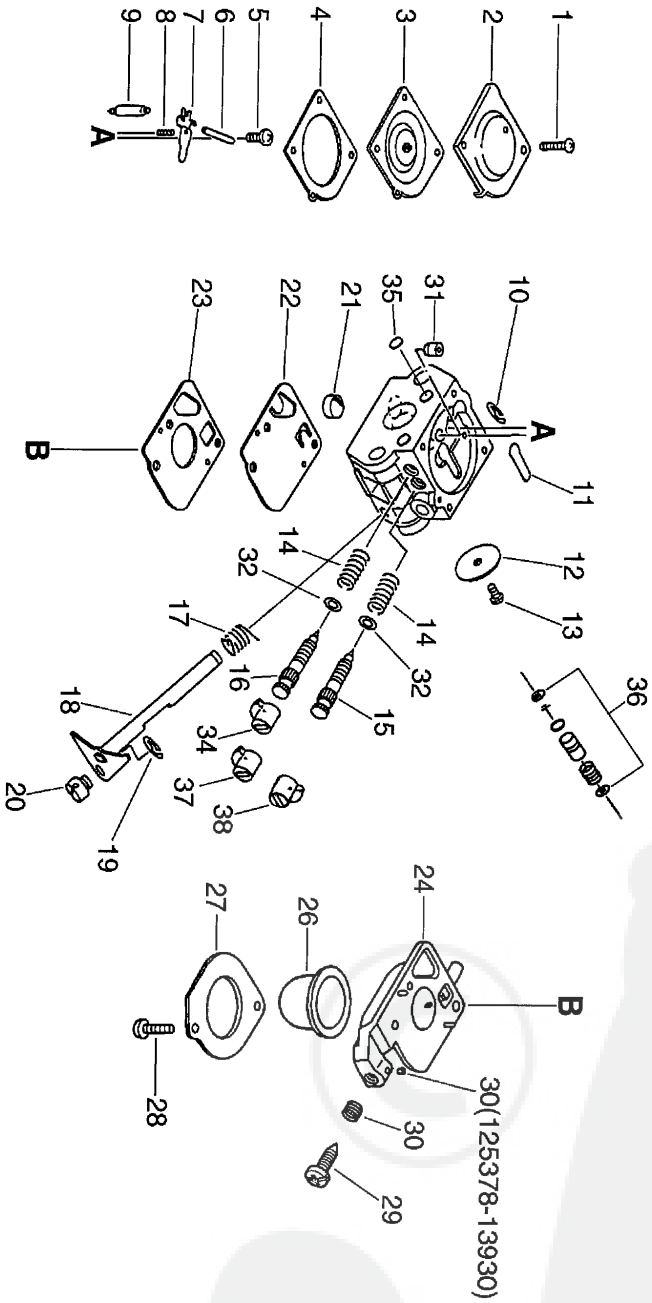
Group:Hedge Trimmers Model:HC-1500 (6digits) (35) (36) section:Carburetor (Sr/Nr 035001 to 154914) (14)

Date:19-8-2011 Page: 1

Key	Lv	Part Number	Q'ty	Description	Remarks	Note
		125200-05360	1	CARBURETOR ASSY	Sus. by 125200-11823	
		125200-05361	1	CARBURETOR ASSY	Sus. by 125200-11823	
		125200-11823	1	CARBURETOR ASSY	Sr/Nr 035001 to 154914	
1 +		125310-05360	2	SCREW		
2 +		125383-05360	1	BASE, PRIMER		
3 +		125341-34530	1	DIAPHRAGM		
4 +		125340-34530	1	GASKET, DIAPHRAGM		
5 +		125339-42030	1	SCREW		
6 +		125338-15130	1	PIN, ARM	Sus. by 125338-13930	
6 +		125338-15130	1	PIN, ARM		
6 +		125338-13930	1	PIN, METERING ARM		
7 +		125323-42030	1	LEVER, METERING		
8 +		125322-42030	1	SPRING, COIL		
9 +		125337-13930	1	VALVE, NEEDLE	Sus. by 125337-06960	
9 +		125337-06960	1	VALVE, INLET NEEDLE		
10 +		125327-15130	1	CLIP		
11 +		125345-15130	1	PLUG, WELCH		
12 +		125316-42030	1	VALVE, THROTTLE		
13 +		125314-13930	1	SCREW		
14 +		125319-42030	2	SPRING, COIL		
15 +		125318-42030	1	NEEDLE, IDLE	Sr/Nr 033036 and before	
15 +		125318-11820	1	NEEDLE, IDLE	Sr/Nr 033037 to 154914	
16 +		125320-42030	1	NEEDLE, HIGH SPEED		
17 +		125313-42030	1	SPRING, THRT. RETURN		
18 +		125317-11820	1	SHAFT, THROTTLE		
19 +		125327-13930	1	CLIP		
20 +		125372-42030	1	SWIVEL		
21 +		125326-42030	1	SPRINGER		
22 +		125312-42030	1	DIAPHRAGM, FUEL PUMP		

Group: Hedge Trimmers Model: HC-1500 (6digits) (35) (36)

Section: Carburetor (Sr/Nr 154915 to 36024180) (15)



P a r t s L i s t

Group:Hedge Trimmers Model:HC-1500(Edigits) (35) (36) Section:Carburetor (Sr/Nr 154915 to 36024180) (15)

Date:19-8-2011 Page: 1

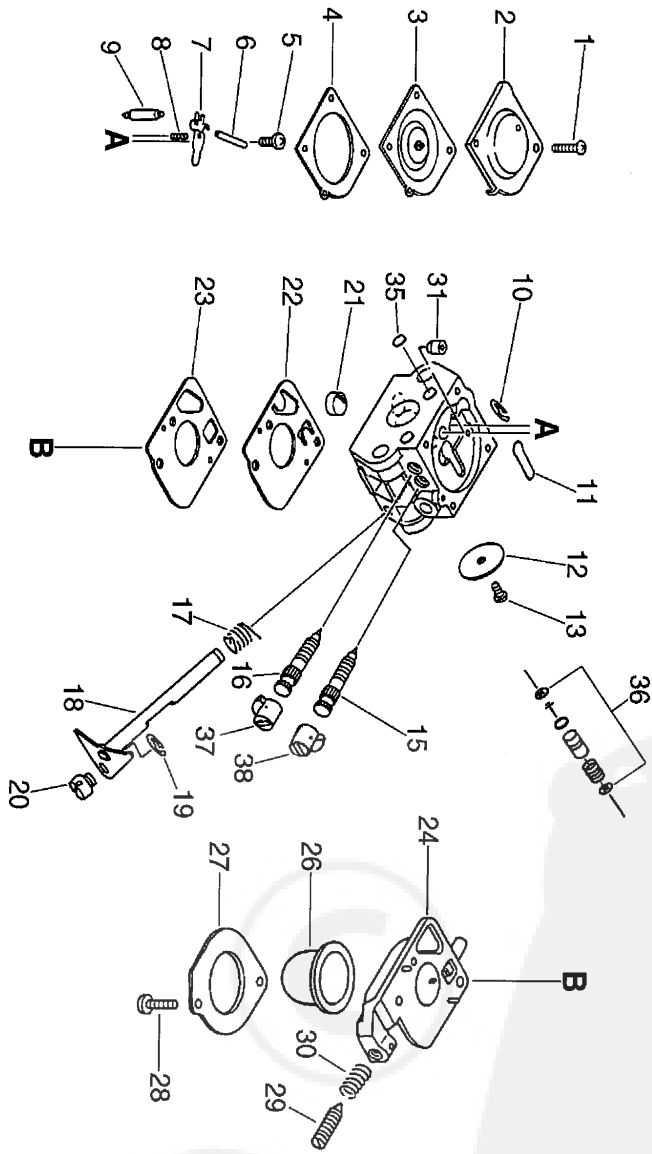
Key	Lv	Part Number	Qty	Description	Remarks	Note
		125200-08460	1	CARBURETOR ASSY	Sus. by 125200-05964	
		125200-05961	1	CARBURETOR C10-K51	Sus. by 125200-05964	
		125200-05962	1	CARBURETOR	Sus. by 125200-05964	
		125200-05963	1	CARBURETOR C10-K51	Sus. by 125200-05964	
		125200-05964	1	CARBURETOR C10-K51	Sr/Nr 154915 to 36024181	
1 +		125344-52130	2	SCREW		
2 +		125342-13210	1	COVER, DIAPHRAGM	Sus. by 125342-52130	
2 +		125342-52130	1	COVER, DIAPHRAGM		
3 +		125341-42030	1	DIAPHRAGM	Sr/Nr 154915 to 212516	
3 +		125341-49030	1	DIAPHRAGM	Sr/Nr 212517 and after	
4 +		125340-51030	1	GASKET, DIAPHRAGM		
5 +		125339-42030	1	SCREW		
6 +		125338-13930	1	PIN, METERING ARM		
7 +		125323-42030	1	LEVER, METERING		
8 +		125322-42030	1	SPRING, COIL		
9 +		125337-06960	1	VALVE, INLET NEEDLE		
10 +		125327-15130	1	CLIP		
11 +		125345-15130	1	PLUG, WELCH		
12 +		125316-49030	1	VALVE, THROTTLE		
13 +		125314-13930	1	SCREW		
14 +		125319-42030	2	SPRING, COIL	Sr/Nr 154915 to 212516	
15 +		125318-07360	1	NEEDLE, IDLE	Sr/Nr 154915 to 212516	
15 +		125318-13120	1	SCREW, IDLE NEEDLE	Sr/Nr 212517 and after	
16 +		125320-07360	1	NEEDLE, HIGH SPEED	Sr/Nr 154915 to 212516	
16 +		125320-13310	1	NEEDLE, HIGH SPEED	Sr/Nr 212517 and after	
17 +		125313-42030	1	SPRING, THRT. RETURN		
18 +		125317-49030	1	SHAFT, THROTTLE	Sr/Nr 154915 to 212516	
18 +		125317-13310	1	SHAFT, THROTTLE	Sr/Nr 212517 and after	

P a r t s L i s t

Group:Hedge Trimmers Model:HC-1500(6digits) (35) (36) section:Carburetor (Sr/Nr 154915 to 36024180) (15)

Date:19-8-2011 Page: 2

Key	Qty	Part Number	Description	Remarks	Note
19 +	1	125327-13930	CLIP		
20 +	1	125372-42030	SWIVEL		
21 +	1	125326-42030	STRAINER		
22 +	1	125312-49030	DIAPHRAGM, FUEL PUMP	Can be used on 125200-08460	
22 +	1	125312-12820	DIAPHRAGM, FUEL PUMP	Can be used on 125200-05961, -05962	
23 +	1	125325-42030	GASKET, FUEL PUMP		
23 +	1	125325-13310	GASKET, PUMP	Sus. by 125325-13310	
24 +	1	125324-11610	COVER, PUMP	Sus. by P005-000590	
24 +	1	125383-13310	BASE, PRIMER	Sus. by P005-000590	
24 +	1	P005-000590	BASE,ASY PRIMER		
26 +	1	125381-46730	PUMP, PRIMING	Sus. by 125381-08660	
26 +	1	125381-08660	PUMP, PRIMING		
27 +	1	125363-11610	RING		
28 +	2	125310-11610	SCREW		
29 +	1	125334-13930	SCREW, IDLE ADJUST	Sr/Nr 228004 and before	
29 +	1	125334-06960	SCREW, THROTTLE ADJUST	Sr/Nr 228005 and after	
30 +	1	125378-13930	PIECE, FRICTION	Sr/Nr 228004 and before	
30 +	1	125333-06960	SPRING, IDLE ADJUSTER	Sr/Nr 228005 and after	
31 +	1	125376-49030	NOZZLE, CHECK VALVE	Sr/Nr 154915 to 212516	
31 +	1	125376-13120	NOZZLE, CHECK VALVE	Sr/Nr 212517 and after	
32 +	2	125353-20560	WASHER	Sr/Nr 154915 to 212516	
34 +	1	125329-39030	LIMITER, MIXTURE	Sr/Nr 35999999 and before	
35 +	1	125345-13310	PLUG, WELCH	Sr/Nr 212517 and after	
36 +	1	125306-13310	PUMP KIT, ACC.	Sr/Nr 212517 and after	
37	1	A259-000030	CAP, LIMITER	Sr/Nr 36001001 and after	
38	1	125329-09860	CAP, LIMITER	Sr/Nr 36001001 and after	
	1	125303-13310	DIAPHRAGM/GASKET KIT		
	1	125300-13310	REBUILD KIT		



P a r t s L i s t

Group:Hedge Trimmers Model:HC-1500(6digi)(35) (36) Section:Carburetor (Sr/Nr 36024181 and after) (16)

Date:19-8-2011 Page: 1

Key	Lv	Part Number	Q'ty	Description	Remarks	Note
		125200-05964	1	CARBURETOR	Sr/Nr 36024181 and after)	
1 +		125344-52130	2	SCREW		
2 +		125342-52130	1	COVER, DIAPHRAGM		
3 +		125341-49030	1	DIAPHRAGM		
4 +		125340-51030	1	GASKET, DIAPHRAGM		
5 +		125339-42030	1	SCREW		
6 +		125338-13930	1	PIN, METERING ARM		
7 +		125323-42030	1	LEVER, METERING		
8 +		125322-42030	1	SPRING, COIL		
9 +		125337-06960	1	VALVE, INLET NEEDLE		
10 +		125327-15130	1	CLIP		
11 +		125345-15130	1	PLUG, WELCH		
12 +		125316-49030	1	VALVE, THROTTLE		
13 +		125314-13930	1	SCREW		
15 +		125318-13120	1	SCREW, IDLE NEEDLE		
16 +		125320-13310	1	NEEDLE, HIGH SPEED		
17 +		125313-42030	1	SPRING, THRT. RETURN		
18 +		125317-13310	1	SHAFT, THROTTLE		
19 +		125327-13930	1	CLIP		
20 +		125372-42030	1	SWIVEL		
21 +		125326-42030	1	STRAINER		
22 +		125312-12820	1	DIAPHRAGM, FUEL PUMP		
23 +		125325-13310	1	GASKET, PUMP		
24 +		E005-000590	1	BASE,ASY PRIMER		
26 +		125381-08660	1	PUMP, PRIMING		
27 +		125363-11610	1	RING		
28 +		125310-11610	2	SCREW		
29 +		125334-06960	1	SCREW,THROTTLEADJUST		

