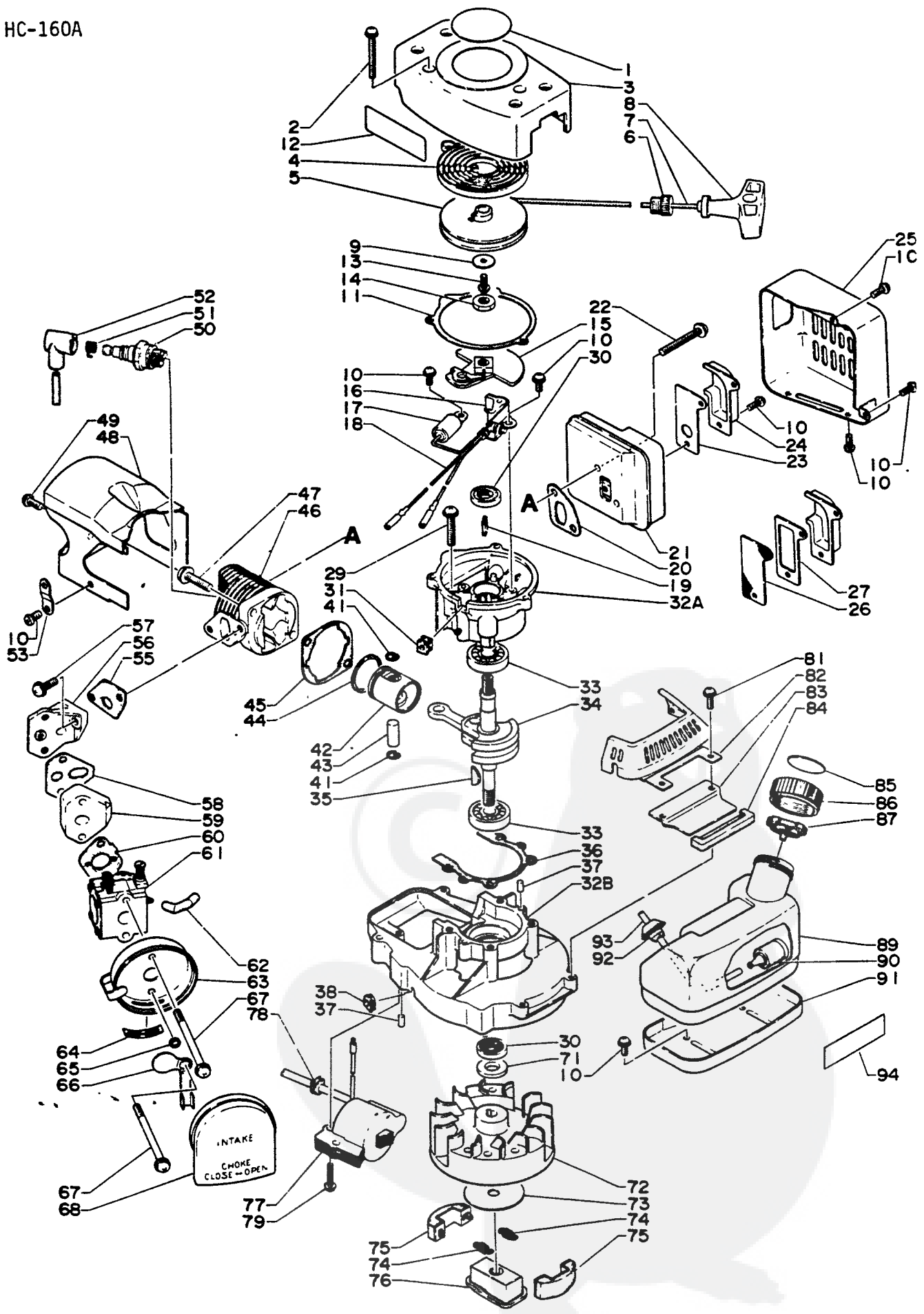

ECHO®

**HEDGE CLIPPER
PARTS CATALOG
MODEL HC-160A**



**ECHO, INCORPORATED
400 OAKWOOD ROAD
LAKE ZURICH, IL 60047**

89856103062

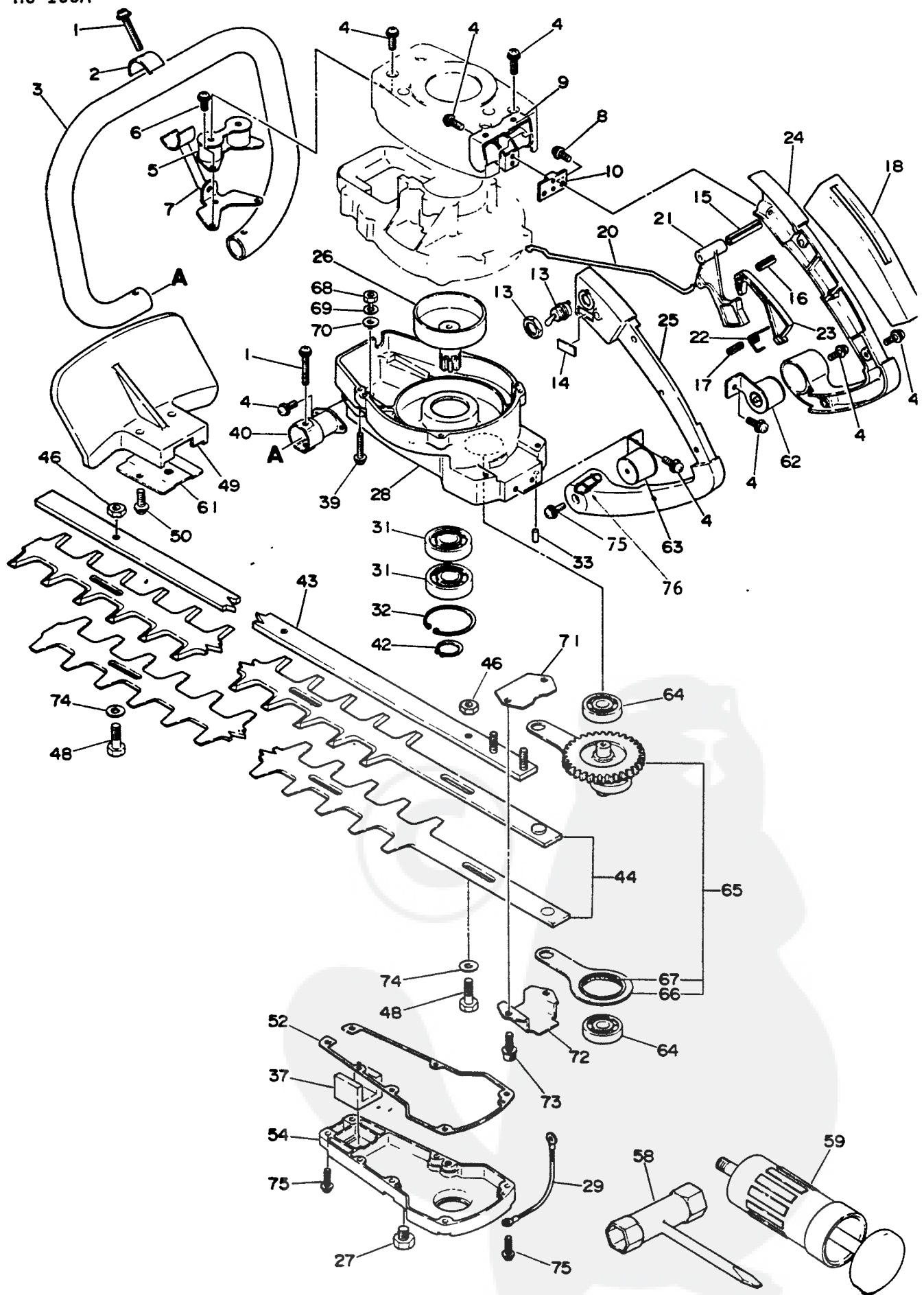


No.	Part Number	Q'ty	Description	Key No.	Part Number	Q'ty	Description
1-1	890 112-0603 1	1	Decal, ECHO	1-52	159 012-0162 0	1	Cap, spark plug
2	900 242-0404 0	3	Screw 4x40	53	101 518-0136 0	1	Bracket
	177 200-0136 0	1	Recoil starter ass'y	55	130 010-0136 0	1	Gasket
3	-177 209-0136 0	1	Starter case	56	130 013-0136 0	1	Base, insulator
4	-177 220-0653 0	1	Rewind spring	57	900 242-0501 6	2	Screw 5x16
5	-177 215-0492 0	1	Recoil drum	58	130 022-0136 0	1	Gasket
6	-177 227-0533 0	1	Rope guide	59	130 017-0136 0	1	Insulator
7	-177 226-0653 0	1	Rope	60	130 016-0492 1	1	Gasket
8	-177 228-0653 0	1	Starter handle	61	123 000-0136 0	1	Carburetor ass'y
9	-177 214-0463 0	1	Washer	62	130 110-0136 0	1	Tube
13	-900 241-0401 0	1	Screw 4x10	63	130 301-0136 0	1	Case, air cleaner
10	900 242-0401 0	9	Screw 4x10	64	-178 810-0653 0	1	Grommet
11	100 615-0492 0	1	Gasket, starter case	65	178 516-0083 0	1	Spacer
12	890 160-0393 0	1	Decal, caution	66	178 515-0136 0	1	Choke shutter
14	900 502-0000 8	1	Nut 8	67	900 242-0505 7	2	Screw 5x57
15	177 305-0492 0	1	Ratchet ass'y	68	130 310-0492 2	1	Air filter
16	150 101-0492 0	1	Breaker point set	71	100 132-0653 0	1	Washer
17	150 127-0492 0	1	Condenser	72	150 200-0492 0	1	Flywheel
18	150 505-0632 0	1	Ground lead	73	175 019-0492 0	1	Side plate
19	156 134-0373 0	1	Oil pad	74	175 018-0653 0	2	Clutch spring
20	145 510-0492 0	1	Gasket, muffler	75	175 017-0463 0	2	Clutch shoe
21	145 806-0632 0	1	Muffler body	76	175 016-0492 0	1	Clutch boss
22	900 242-0504 0	2	Screw 5x40	77	150 126-0492 0	1	Ignition coil
23	145 875-0632 0	1	Plate (Option)	78	156 110-0492 0	1	Grommet
24	145 876-0136 0	1	Muffler lid	79	900 242-0402 0	2	Screw 4x20
25	145 621-0136 0	1	Muffler cover	81	900 242-0401 2	2	Screw 4x12
26	145 862-0632 0	1	Screen	82	100 616-0136 0	1	Cover
27	145 863-0632 0	1	Screen holder	83	131 910-0306 0	1	Bracket
29	900 242-0503 0	4	Screw 5x30	84	131 920-0793 0	1	Cushion
30	100 213-0593 0	2	Oil seal	86	131 600-2213 0	1	Cap ass'y fuel tank
31	150 114-0492 0	1	Grommet	85	-890 154-1513 0	1	Decal, fuel mix
32	100 200-0136 0	1	Crankcase set	87	-131 314-0493 0	1	Check valve
37	-100 215-0393 0	4	Knock pin	89	131 010-0136 0	1	Fuel tank
33	900 810-3620 0	2	Ball bearing	90	131 205-0732 0	1	Fuel strainer
34	100 100-0492 1	1	Crankshaft ass'y	91	131 918-0136 0	1	Bracket
35	100 142-0033 0	1	Woodruff key	92	132 115-0492 0	1	Grommet
*36	USE KIT	1	Gasket, crankcase	93	132 010-0216 0	1	Fuel pipe
38	156 114-0492 0	1	Grommet	94	890 115-0306 0	1	Label, model
41	100 015-0463 0	2	Circlip, piston pin				
42	100 010-0216 0	1	Piston				
43	100 013-0492 0	1	Piston pin				
44	100 011-0216 0	1	Piston ring				
*45	USE KIT	1	Gasket, cylinder base				
46	101 034-0216 1	1	Cylinder				
47	900 242-0602 0	2	Screw 6x20				
49	900 242-0501 0	2	Screw 5x10				
48	101 514-0136 0	2	Cylinder cover				
50	159 010-0033 0	2	Spark plug BM6A				
50	159 010-1013 0	2	Spark plug BMR 6A (Option)				
51	159 011-0051 0	2	Coil spring plug cap				

Remarks:
 * Consists of 3 thru 10.
 32; Includes 37
 63; Includes 64
 86; Includes 85 and 87

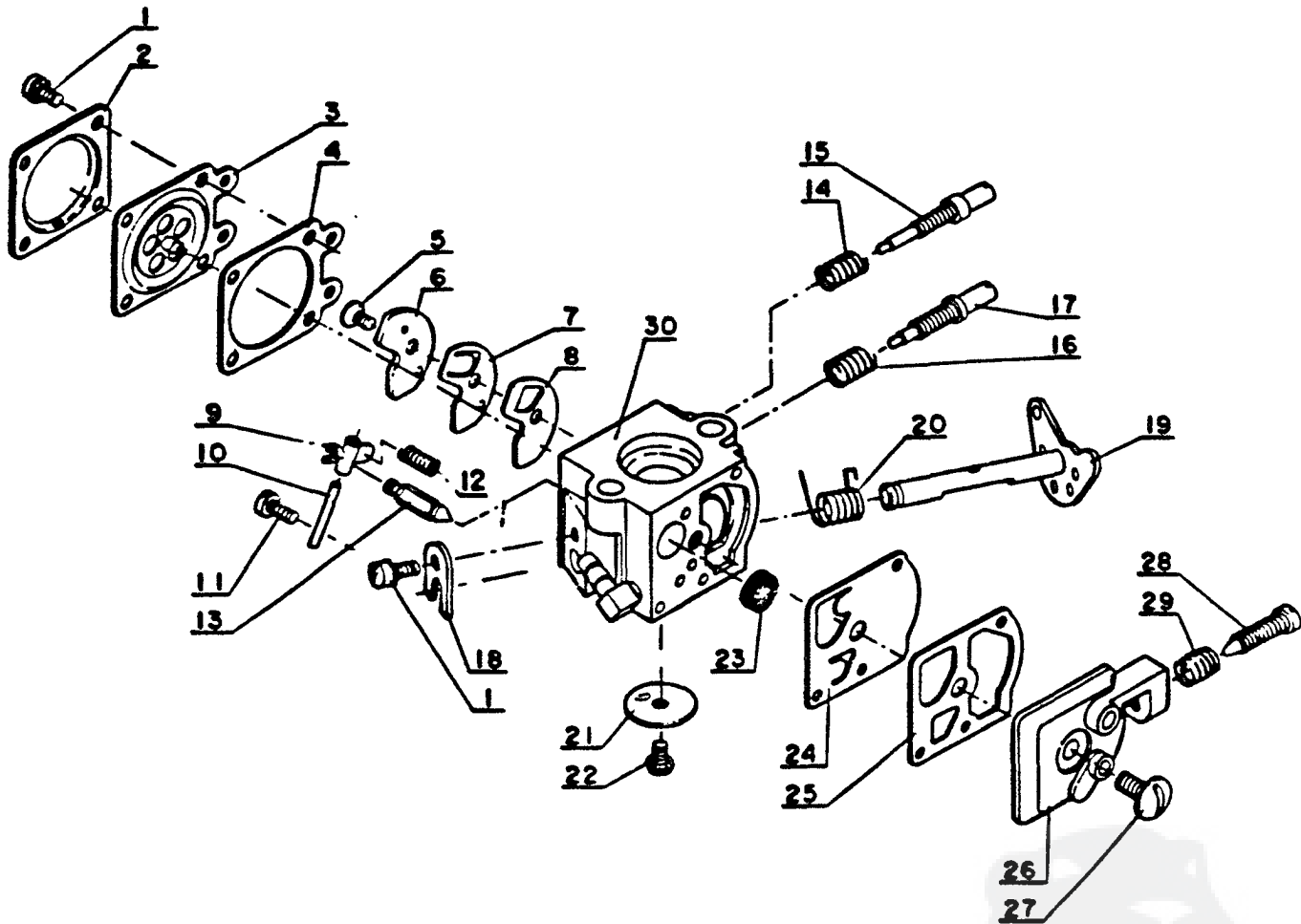
* Use Gasket Kit, P/N 889 000-0136 1

HC-160A



No.	Part number	Q'ty	Description	Key No.	Part Number	Q'ty	Description
2-1	900 242-0403 0	3	Screw 4x30	2-63	351 907-1053 1	1	Cushion
2	351 641-0136 0	1	Plate	64	900 810-0620 0	2	Bearing, ball 6200
3	351 610-0136 0	1	Handle, front	65	610 302-0126 0	1	Gear ass'y,
4	900 242-0401 2	18	Screw 4x12	66	-610 307-0126 0	1	Rod, connecting
5	351 605-0136 0	1	Cushion	67	--610 327-0126 0	1	Bearing, needle
6	900 242-0400 8	3	Screw 4x8	68	900 500-0000 6	2	Nut 6
7	351 613-0136 1	1	Supporter, f. handle	69	900 605-0000 6	2	Washer, spring 6
8	900 242-0401 0	2	Screw 4x10	70	900 600-0000 6	2	Washer 6
9	351 105-0136 0	1	Cushion	71	610 440-0126 0	1	Guide
10	351 126-0136 0	1	Plate	72	610 441-0206 0	1	Guide
13	163 400-0216 0	1	Switch, ignition	73	900 162-0501 4	2	Bolt, h. s. 5x14
14	890 157-1113 0	1	Label, stop	74	699 118-0126 1	4	Washer
15	900 340-5003 2	1	Pin, Spring 5x32	75	900 242-0401 4	6	Screw 4x14
16	900 340-4001 6	1	Pin, spring 4x16	76	351135-10530	1	Spacer
17	900 340-3001 4	1	Pin, spring 3x14				
18	351 111-0136 0	1	Grip, rear handle				
20	178 011-0136 0	1	Rod, throttle				
21	178 010-0136 0	1	Control, throttle				
22	178 091-0136 0	1	Spring				
23	178 090-0136 0	1	Lockout, t. control				
24	351 110-0306 0	1	Handle, rear				
25	351 129-0306 0	1	Handle, rear				
26	175 005-0126 1	1	Drum, clutch				
27	900 100-0800 8	1	Bolt 8x8				
28	610 410-0306 0	1	Housing, gear				
29	162 010-0136 0	1	Lead				
31	900 802-0600 3	2	Bearing, ball 6003				
32	900 702-0003 5	1	Circlip 35				
33	100 215-0393 0	2	Pin, dowel				
37	610 426-0126 0	1	Felt				
39	900 242-0402 2	4	Screw 4x22				
40	351 607-0136 0	2	Cushion				
42	900 701-0001 6	1	Circlip 16				
43	699 110-0306 0	1	Bar, frame				
44	697 000-0306 0	1	Cutter set see Note				
46	145 710-0023 0	4	Nut 6				
48	699 115-0206 2	4	Bolt				
49	351 805-0136 0	1	Guard, hand				
50	900 242-0501 2	2	Screw 5x12				
52	610 414-0126 0	1	Gasket, gear housing				
54	610 411-0206 0	1	Lid, gear housing				
58	895 410-0793 0	1	Wrench, w/s. driver				
59	880 300-0126 0	1	Pump, grease				
61	351 833-0306 0	1	Plate				
62	351 107-1053 1	1	Cushion				

Note: Blade set not available.
 Order as separate items.
 697 010-0306 0 Upper blade
 697 011-0306 0 Lower blade



Key No.	Part Number	Q'ty	Description	Key No.	Part Number	Q'ty	Description
3 *	123 000-0136 0	1	Carburetor ass'y (WA 89)	3-20	-123 113-0393 0	1	Spring, throttle return
1	A	5	Screw	21	-123 118-0653 0	1	Valve, throttle
2	-123 142-0393 0	1	Cover, metering diaphragm	22	-123 114-0393 0	1	Screw, throttle valve
3	A B	1	Diaphragm metering	23	A	1	Screen, inlet
4	A B	1	Gasket, m, diaphragm	24	A B	1	Diaphragm fuel pump
5	-123 167-0523 0	1	Screw circuit plate	25	A B	1	Gasket, fuel pump
6	-123 166-0393 0	1	plate, circuit	26	-123 124-0136 0	1	Cover, fuel pump
7	A B	1	Diaphragm, circuit plate	27	-123 110-0393 0	1	Screw pump cover
8	A B	1	Gasket, circuit plate	28	-123 134-0632 0	1	Screw, idle adjustment
9	A	1	Lever, metering	29	-123 133-0632 0	1	Spring, idle screw
10	A	1	Pin, metering lever	30	-Not Available	1	Body ass'y
11	A	1	Screw, metering lever pin				
12	A	1	Spring, metering lever				
13	A	1	Valve, inlet needle				
14	A	1	Spring, H. S. needle				
15	-123 120-0653 0	1	Needle, high speed				
16	A	1	Spring, idle needle				
17	-123 118-0653 0	1	Needle, idle				
18	-123 127-0393 0	1	Clip, throttle shaft				
19	-123 117-0136 0	1	Shaft, throttle				

A denotes KWIK KIT 123 100-0652 0

B denotes DIAPHRAGM KIT 123 101-0393 0

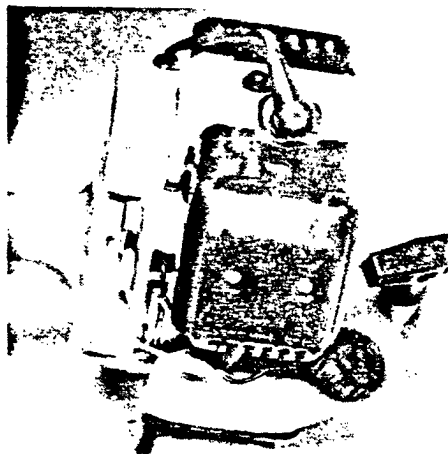
Remarks:

* Consists of 1 thru 30.



ELECTRONIC IGNITION CONVERSION KIT

P/N 152004-21930



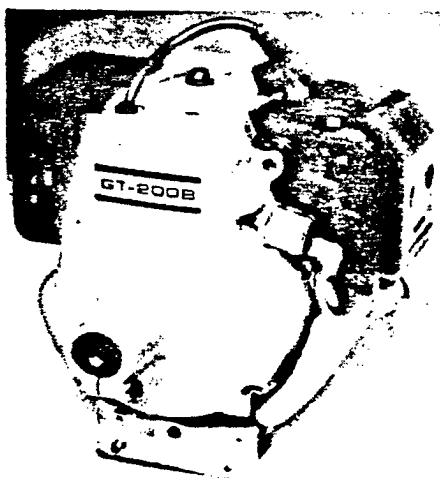
Now you can convert older, breaker-point ignition trimmers to trouble-free, electronic ignition.

This Conversion Kit includes all necessary parts: leads, clip, bracket and fasteners.

Installation is simple and quick...no engine disassembly required.

One kit fits these ECHO models:

GT-140, A, B	SRM-140D, DA
GTL-140, A	KEH-140DA
GT-160	SRM-200
GT-160A	HC-140
GT-200, B	HC-160, A
G-1AK	



Call your Echo distributor *today!*

SUGGESTED RETAIL PRICE

\$17.00 EACH

ECHO INCORPORATED
Lake Zurich, Il. 60047

**AVAILABLE
JULY 1, 1988**