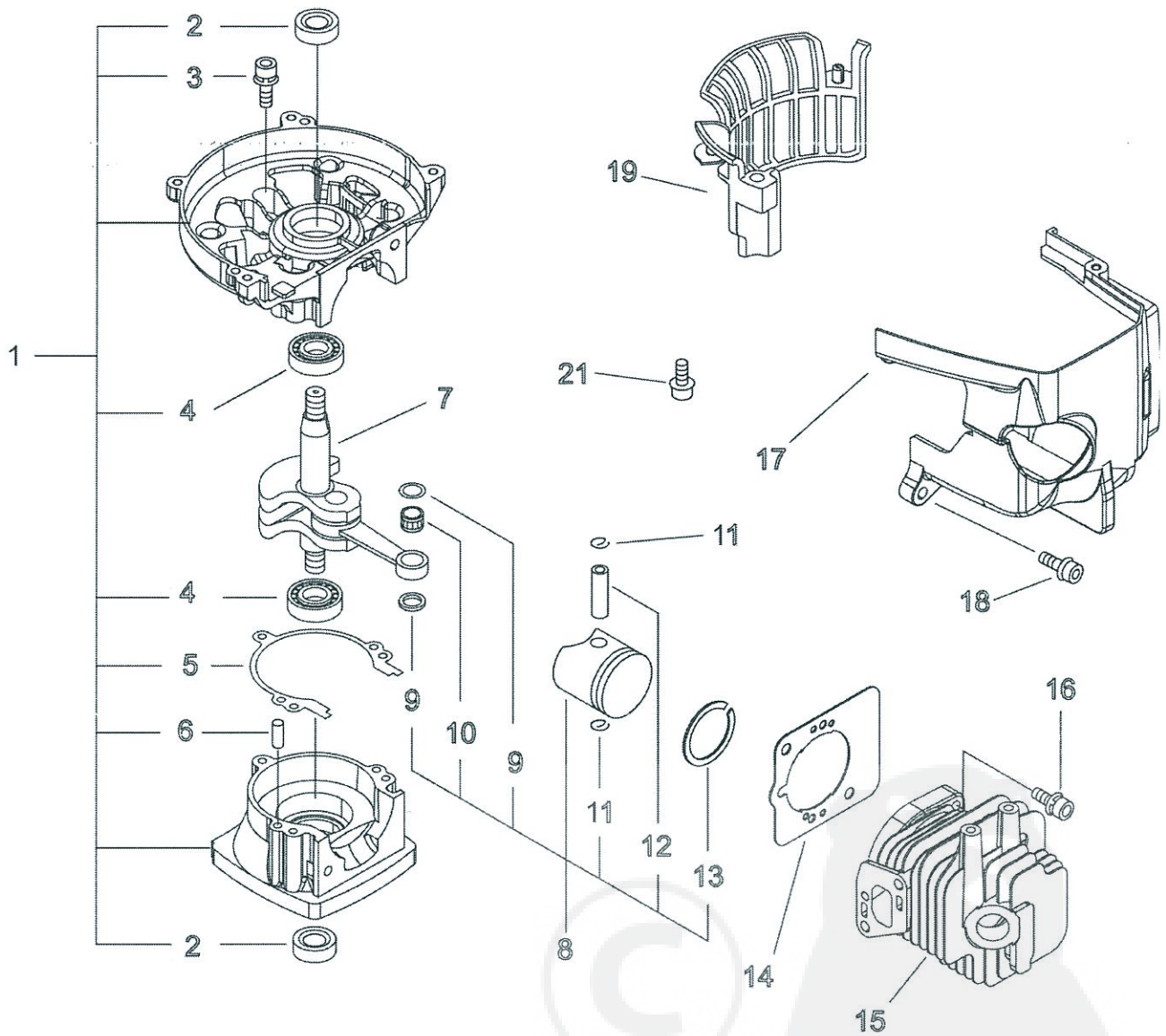
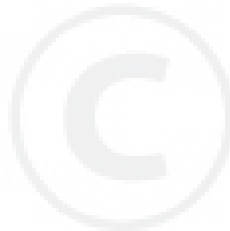


HC-341ES(36), -36001550, Cranckcase, Cylinder,Piston
HC-341ES(36), 2008/11/28

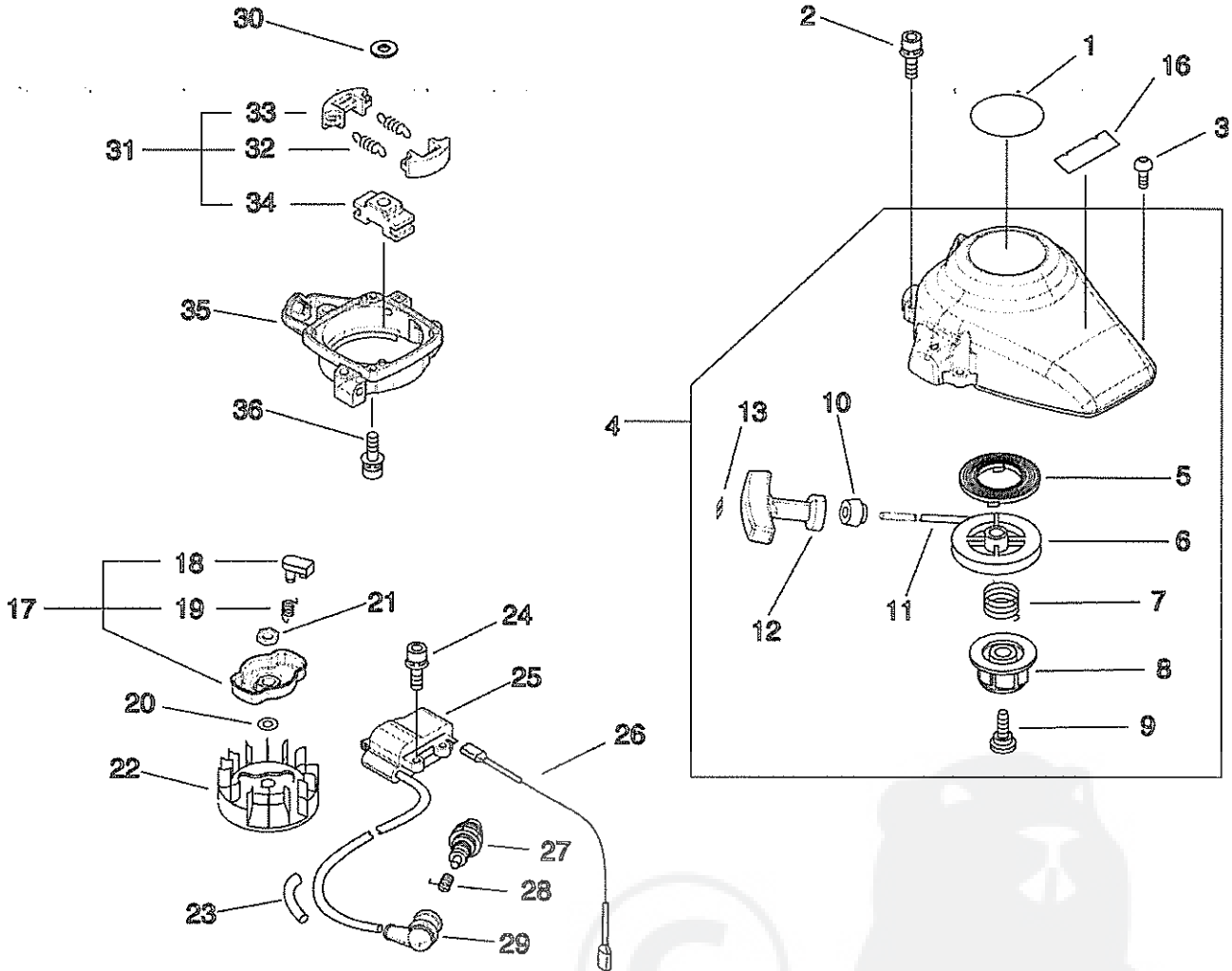


HC-341ES(36), -36001550, Cranckcase, Cylinder,Piston
 HC-341ES(36), 2008/11/28

Key	Lv	Part no.	Part description	Quantity	Note1	Note2
1		100204-52132	CRANKCASE KIT	1		
2	+	100212-42031	OILSEAL	2		
3	+	900162-05028	BOLT, H.S. 5*28	3		
4	+	94035-36201	BEARING BALL	2		
5	+	100242-42030	GASKET, CRANKCASE	1		
6	+	100215-03930	PIN, DOWEL	2		
7		A011-000223	CRANKSHAFT,ASM	1		
8		P021-014590	PISTON KIT	1		
9	+	100014-08960	SPACER, PISTON PIN	2		
10	+	100113-05930	BEARING, NEEDLE	1		
11	+	100015-04630	CIRCLIP, PISTON PIN	2		
12	+	100013-11520	PIN, PISTON	1		
13	+	A101-000130	RING, PISTON	1		
14		V100-000250	GASKET,CYL	1		
15		A130-000890	CYLINDER	1		
16		900162-05022	BOLT, H.S. 5*22	2		
17		A160-000880	COVER,CYLINDER	1		
18		V805-000150	BOLT, TORX 5	1		
19		A127-000170	COVER,DUST	1		
21		V805-000150	BOLT, TORX 5	1		



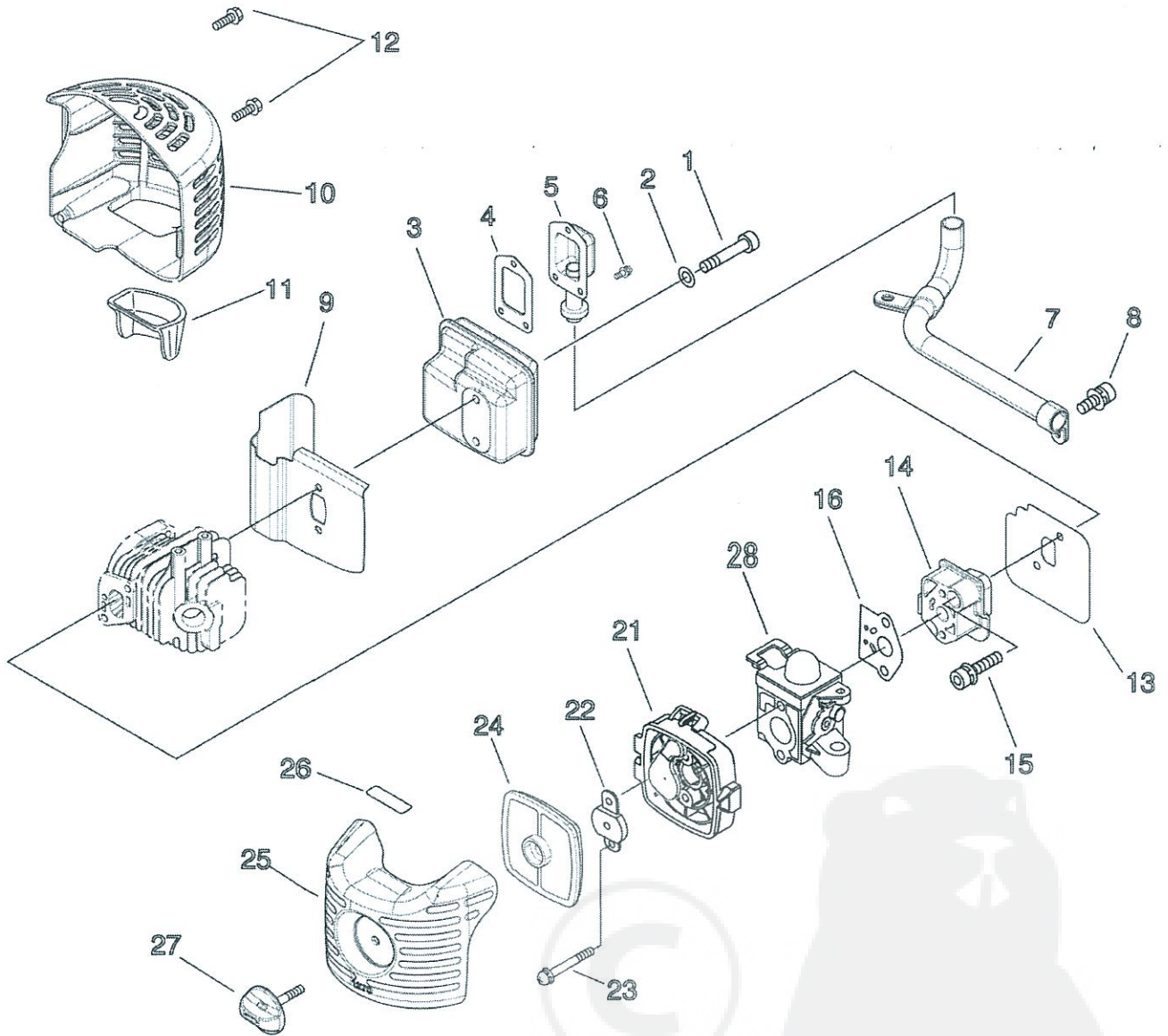
HC-341ES(36), -36001550, Magneto, Fan Case
HC-341ES(36), 2008/11/28



HC-341ES(36), -36001550, Magneto, Fan Case
 HC-341ES(36), 2008/11/28

Key	Lv	Part no.	Part description	Quantity	Note1	Note2
1		X502-000330	LABEL,ECHO	1		
2		V804-000060	BOLT, TORX 4	4		
3		V804-000000	BOLT, TORX 4	1		
4		A051-001110	STARTER,RECOIL ASY	1		
5	+	177220-42030	SPRING, REWIND	1		
6	+	P022-006830	DRUM	1		
7	+	V452-000150	SPRING,TORSION	1		
8	+	A507-000030	CATCHER,PAWL	1		
9	+	177236-61830	SCREW	1		
10	+	177227-42030	GUIDE, ROPE	1		
11	+	P022-008260	ROPE	1		
12	+	177228-27030	GRIP, STARTER	1		
13	+	177246-11120	CLIP, STARTER ROPE	1		
16		X503-009100	LABEL,MODEL	1		
17		A052-000210	PULLEY,ASM STARTER	1		
18	+	P022-020030	PAWL, STARTER	2		
19	+	P022-007980	SPRING, RETURN	2		
20		900600-00008	WASHER 8	1		
21		900512-00008	NUT 3N 8 (L-H)	1		
22		A409-000160	ROTOR,MAGNETO	1		
23		V475-001610	TUBE	1		
24		V804-000070	BOLT, TORX 4	2		
25		A411-000130	COIL,IGNITION	1		
26		V485-000870	LEAD	1		
27		A425-000000	SPARKPLUG	1		
28		A426-000010	TERMINAL,SPARKPLUG	1		
29		A427-000013	CAP,SPARK PLUG	1		
30		610350-12360	WASHER	1		
31		A056-000190	CLUTCH ASY	1		
32	+	A566-000000	SPRING, CLUTCH	2		
33	+	175017-44331	SHOE, CLUTCH	2		
34	+	A552-000080	HUB, CLUTCH	1		
35		A570-000140	CASE,CLUTCH	1		
36		V804-000060	BOLT, TORX 4	4		

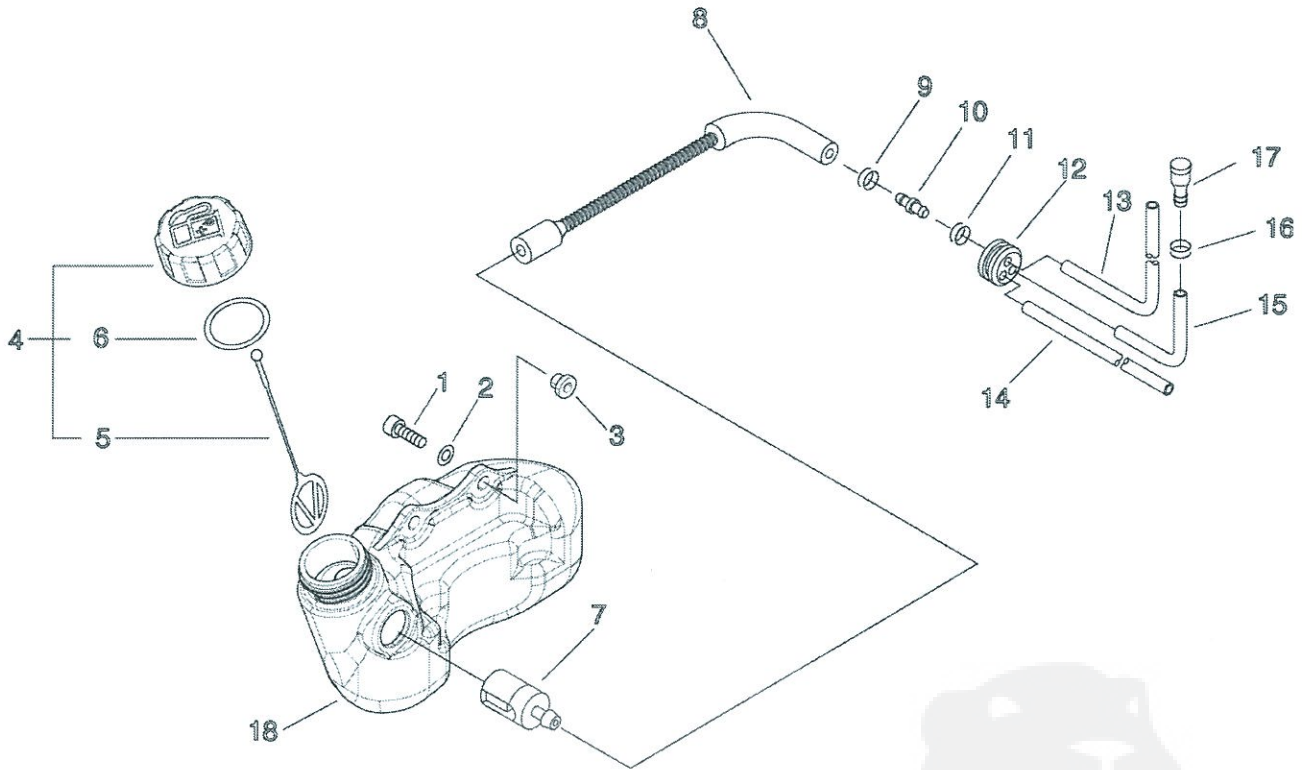
HC-341ES(36), -36001550, Air Cleaner, Muffler
HC-341ES(36), 2008/11/28



HC-341ES(36), -36001550, Air Cleaner, Muffler
 HC-341ES(36), 2008/11/28

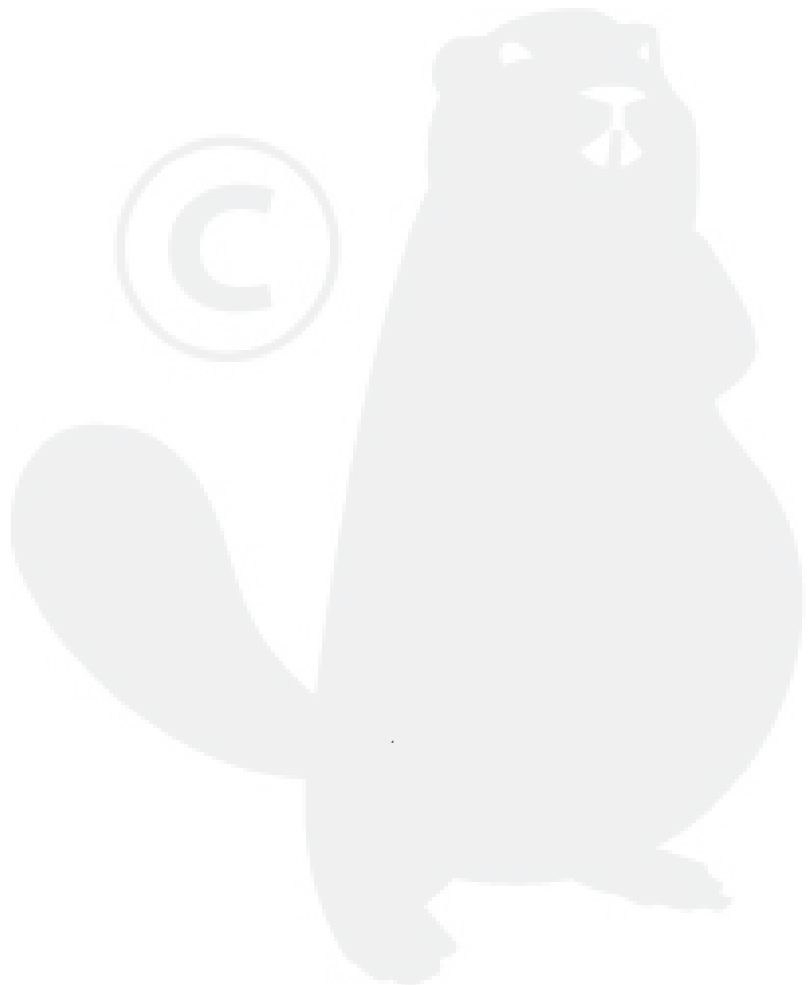
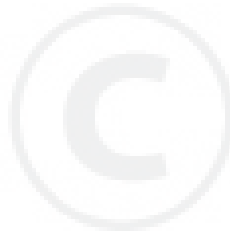
Key	Lv	Part no.	Part description	Quantity	Note1	Note2
1		V805-000190	BOLT, TORX 5	2		
3		145806-42030	MUFFLER	1		
4		145866-42031	GASKET, MUFFLER LID	1		
5		A313-000870	GUIDE, EXHAUST	1		
6		V804-000030	BOLT, TORX 4	3		
7		A313-001020	GUIDE, EXHAUST	1		
8		V804-000050	BOLT, TORX 4	1		
9		V104-000850	GASKET, EXHAUST	1		
10		A320-000430	COVER, MUFFLER	1		
11		A323-000010	PIECE, COVER	1		
12		V805-000150	BOLT, TORX 5	2		
13		V103-000180	GASKET, INTAKE	1		
14		A200-000300	INSULATOR, INTAKE	1		
15		V805-000220	BOLT, TORX 5	2		
16		V103-000410	GASKET, INTAKE	1		
17		A021-001610	CARBURETOR, DIAPHRAGM	1		
18		900515-00006	NUT, FLANGE 6	1		
19		900502-00006	NUT 6 (3N)	1		
20		V430-002120	CABLE, BOWDEN	1		
21		P021-015100	CLEANER CASE ASY	1		
22		129011-52730	PLATE, PREVENT	1		
23		V805-000100	BOLT, TORX 5	2		
24		130310-54130	FILTER, AIR	1		
25		A232-000400	LID, CLEANER	1		
26		890332-52730	LABEL, CHOKE	1		
27		V299-000250	KNOB, FASTENER	1		
28		X505-002310	LABEL, CAUTION	1		

HC-341ES(36), -36001550, Fuel Tank
HC-341ES(36), 2008/11/28

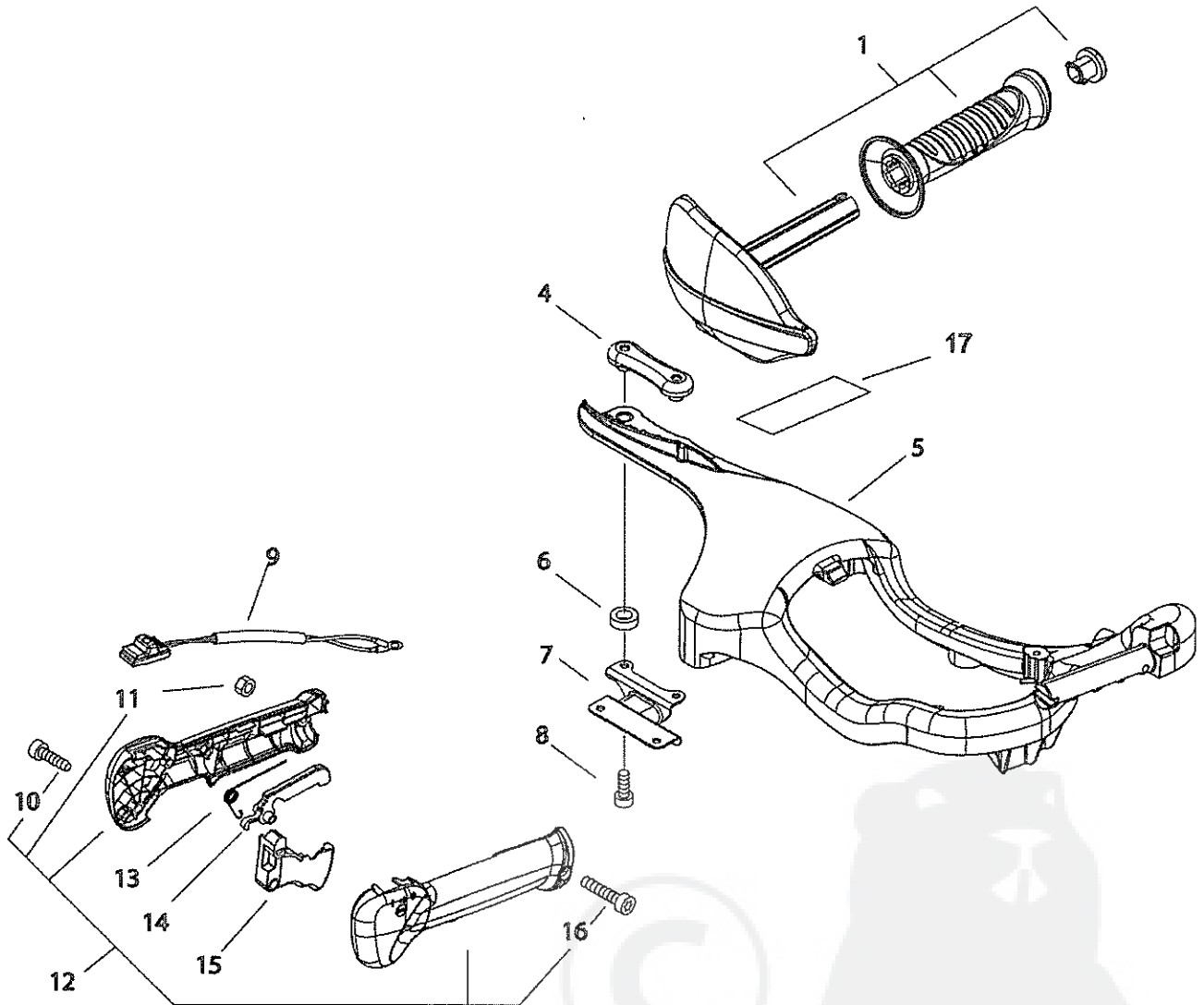


HC-341ES(36), -36001550, Fuel Tank
 HC-341ES(36), 2008/11/28

Key	Lv	Part no.	Part description	Quantity	Note1	Note2
1		V805-000160	BOLT, TORX 5	3		
2		900603-00005	WASHER 5	3		
3		V353-000231	COLLAR,5	3		
4		P021-012210	CAP,FUEL ASY	1		
5	+	A365-000060	CONNECTOR,CAP	1		
6	+	131016-55830	GASKET, FUEL CAP	1		
7		131205-07320	STRAINER, FUEL	1		
8		132012-12361	PIPE	1		
9		132013-26630	CLIP	1		
10		V186-000140	JOINT,PIPE	1	Sus. by V186-000020	
10		V186-000020	JOINT,PIPE	1		
11		132013-09820	CLIP	1		
12		132115-55930	GROMMET, FUEL	1		
13		130110-54430	PIPE, IMPULSE	1		
14		132010-40830	PIPE 3* 6* 75	1		
15		V471-001880	PIPE	1		
16		437411-19830	CLIP, OIL PIPE	1		
17		A356-000030	VALVE,CHECK	1		
18		A350-000590	TANK, FUEL	1		



HC-341ES(36), -36001550, Handle
HC-341ES(36), 2008/11/28

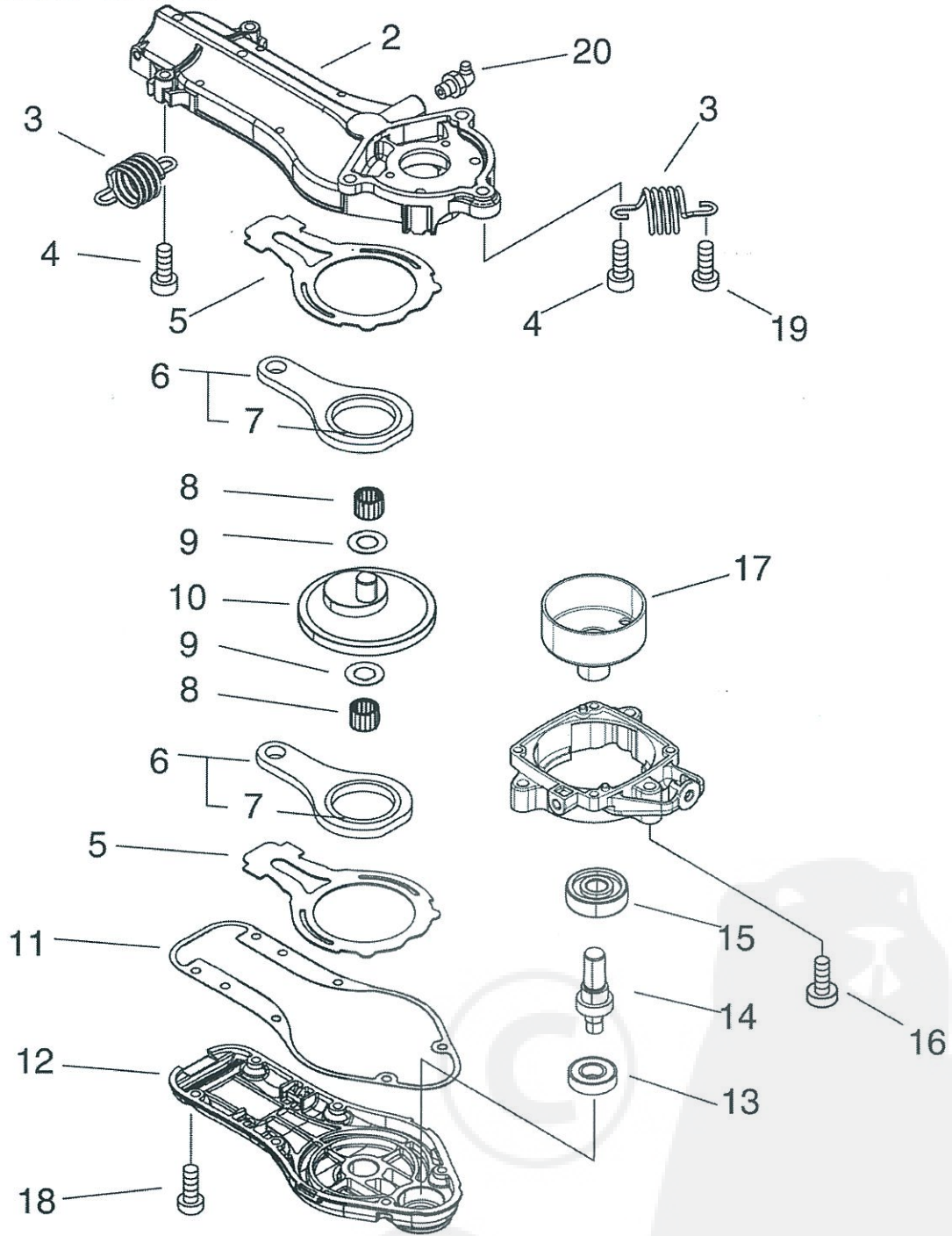


HC-341ES(36), -36001550, Handle
HC-341ES(36), 2008/11/28

Key	Lv	Part no.	Part description	Quantity	Note1	Note2
1		P021-014900	FRONT HANDLE ASY	1		
4		C423-000350	FIXTURE, HANDLE	1		
5		C600-001020	FRAME	1		
6		V420-001730	CUSHION	2		
7		V401-000160	CUSHION,5	1		
8		V805-000220	BOLT, TORX 5	2		
9		A440-001140	SWITCH, ON OFF	1		
9		P021-014650	SWITCH,ON OFF	1		
12		P021-014630	HANDLE ASY, REAR	1		
10	+	V804-000010	BOLT, TORX 4	3		
11	+	900500-00005	NUT 5	1		
16	+	V805-000050	BOLT, TORX 5	1		
13		V452-000350	SPRING,TORSION	1		
14		C460-000111	LOCKOUT, THROTTLE	1		
15		C450-000270	CONTROL, THROTTLE	1		
17		X502-000390	LABEL,ECHO	1		

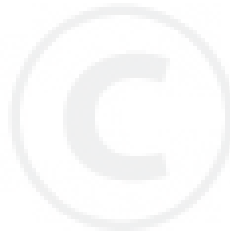


HC-341ES(36), -36001550, Gear Case
HC-341ES(36), 2008/11/28

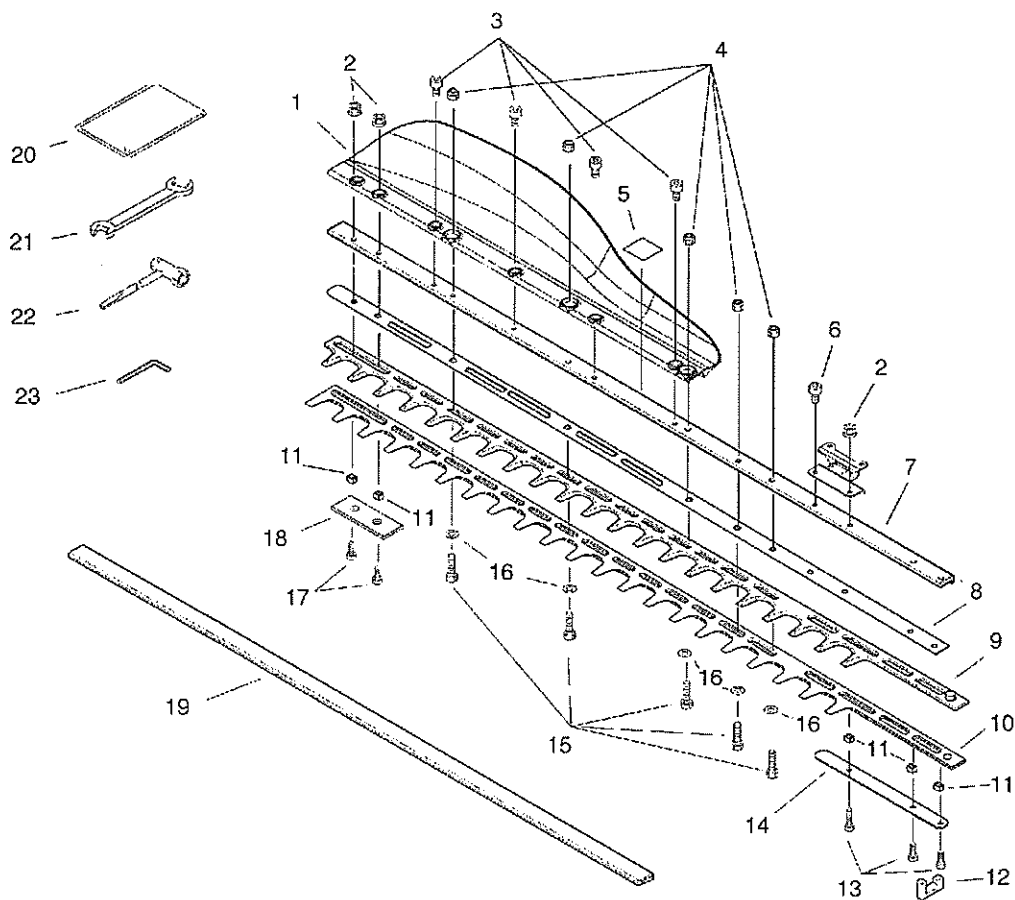


HC-341ES(36), -36001550, Gear Case
 HC-341ES(36), 2008/11/28

Key	Lv	Part no.	Part description	Quantity	Note1	Note2
2		C531-000440	CASE,GEAR	1		
3		V450-000690	SPRING,COMPRESSION	4		
4		V805-000150	BOLT, TORX 5	4		
5		V150-001950	PLATE,EYE	2		
6		C532-000080	ROD,CONNECTING	2		
7	+	610327-01261	BEARING, NEEDLE	2		
8		V555-000000	BEARING,NEEDLE 10	2		
9		100014-17330	SPACER, PISTON PIN	2		
10		V060-000040	GEAR,SPUR	1		
11		V110-000090	GASKET,GEAR CASE	1		
12		C531-000450	CASE,GEAR	1		
13		900804-00608	BEARING, BALL 608	1		
14		V650-000160	GEAR,SPUR	1		
15		900812-06200	BEARING, BALL 6200	1		
16		V806-000010	BOLT, TORX 6	3		
17		A556-000500	DRUM, CLUTCH	1		
18		V804-000060	BOLT, TORX 4	6		
19		V805-000010	BOLT, TORX 5	4		
20		94984-06075	NIPPLE, GREASE	1		

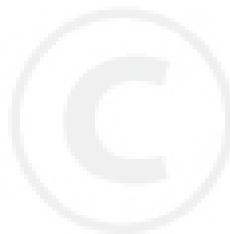


HC-341ES(36), -36001550, Cutter, Tools
HC-341ES(36), 2008/11/28

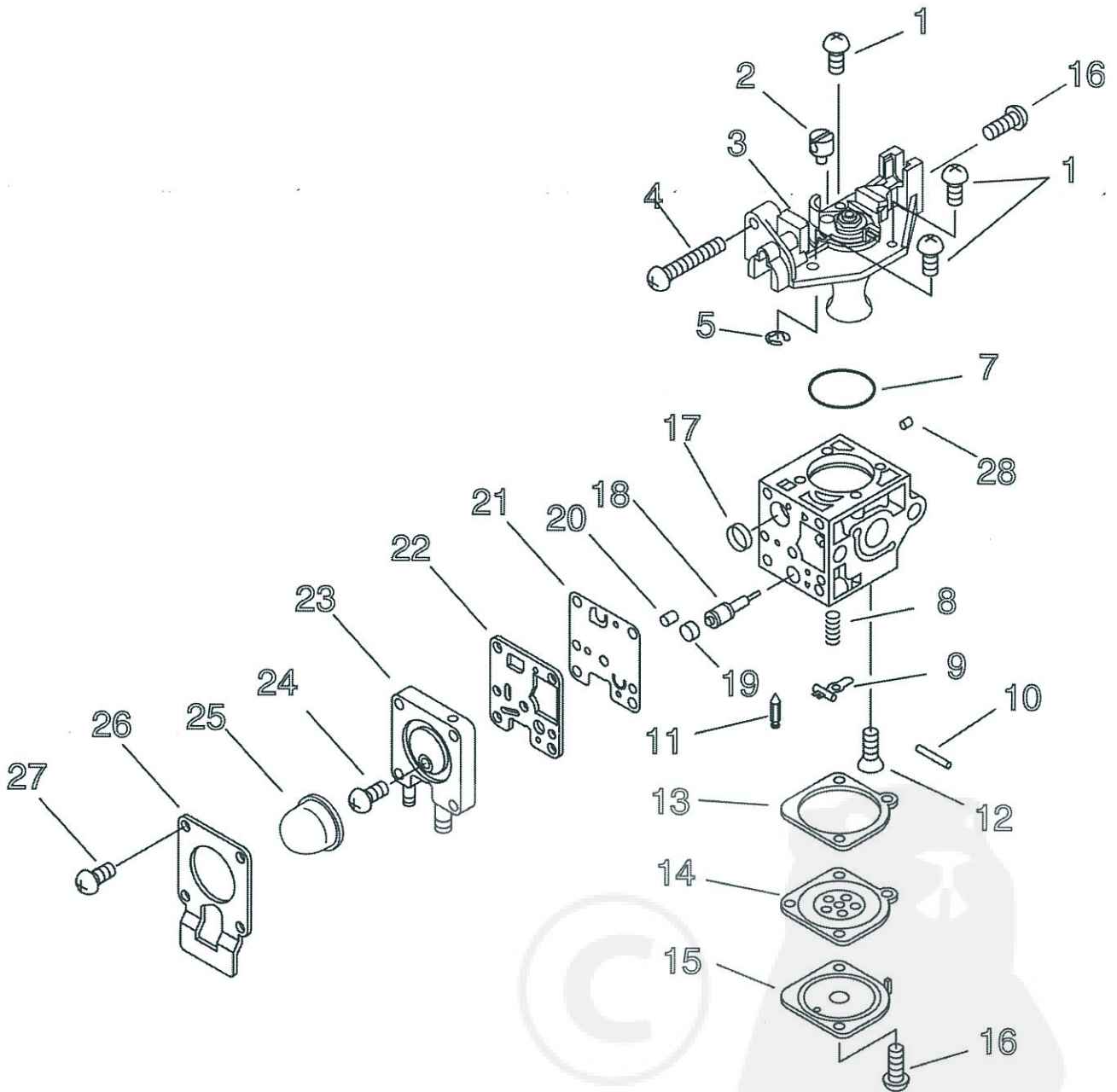


HC-341ES(36), -36001550, Cutter, Tools
 HC-341ES(36), 2008/11/28

Key	Lv	Part no.	Part description	Quantity	Note1	Note2
1		C571-000040	GUIDE, CORRECTION	1		
2		92108-05000	NUT, FLANGE	3		
3		V805-000130	BOLT, TORX 5	4		
4		433022-06460	NUT	5		
5		X505-002030	LABEL, CAUTION	1		
6		V805-000110	BOLT, TORX 5	1		
7		X425-000450	SUPPORT, CUTTER	1		
8		X425-000460	SUPPORT, CUTTER	1		
9		X411-000680	CUTTER	1		
10		X411-000690	CUTTER	1		
11		V353-000260	COLLAR, 5	5		
12		V541-000150	SEAL	1		
13		V805-000220	BOLT, TORX 5	3		
14		V150-001960	PLATE, EYE	1		
15		699115-02062	BOLT	5		
16		699118-04560	WASHER	5		
17		V805-000180	BOLT, TORX 5	2		
18		V150-001970	PLATE, EYE	1		
19		898523-08960	SCABBARD, BLADE	1		
20		898510-07130	BAG, TOOL	1		
21		895112-00330	SPANNER 8*10	1		
22		895410-03930	WRENCH, W/S. DRIVER	1		
23		X605-000050	TOOL, L WRENCH	1		



HC-341ES(36), -36001550, Carbrettor
HC-341ES(36), 2008/11/28



HC-341ES(36), -36001550, Carbrettor
 HC-341ES(36), 2008/11/28

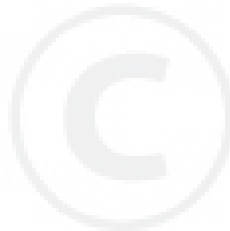
Key	Lv	Part no.	Part description	Quantity	Note1	Note2
		A021-001610	CARBURETOR,DIAPHRAGM	1		
1	+	125344-13931	SCREW	3		
2	+	P005-001240	POST	1		
3	+	P005-002050	COVER ASY, ROTOR	1		
4	+	P005-000100	SCREW,THROTTLEADJUST	1		
5	+	P005-000190	E-RING	1		
7	+	P005-000280	O-RING	1		
8	+	P005-000940	SPRING, METER. LEVER	1		
9	+	125323-08260	ARM, VALVE	1		
10	+	125338-13930	PIN, METERING ARM	1		
11	+	125337-08260	VALVE, INLET NEEDLE	1		
12	+	125339-42030	SCREW	1		
13	+	P005-000200	GASKET, METERING	1		
14	+	P005-001780	DIAPHRAGM	1		
15	+	125342-52130	COVER, DIAPHRAGM	1		
16	+	125344-52130	SCREW	3		
17	+	P005-000010	STRAINER	1		
18	+	P005-002060	NEEDLE,HIGH SPEED	1		
19	+	P005-001250	RETAINER,PLUG BALL	1		
20	+	P005-001270	PLUG, H AJUST SCREW	1		
21	+	P005-000510	DIAPHRAGM, PUMP	1		
22	+	P005-000520	GASKET, PUMP	1		
23	+	P005-001890	BASE, ASY PRIMER	1		
24	+	P005-000270	SCREW	1		
25	+	125381-46730	PUMP, PRIMING	1		
26	+	P005-000250	RETAINER	1		
27	+	P005-001900	SCREW	4		
28	+	P005-001000	ROLLER, GUIDE	1		

HC-341ES(36), -36001550, Gasket & Diaphragm Kit
HC-341ES(36), 2008/11/28

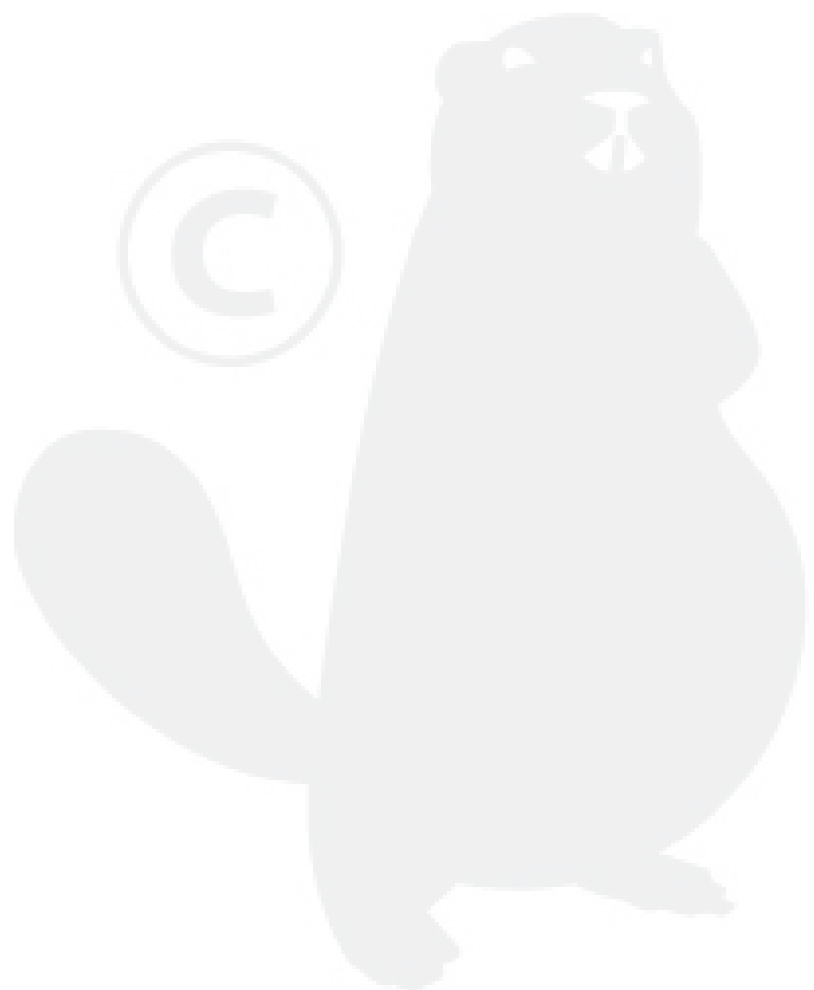


HC-341ES(36), -36001550, Gasket & Diaphragm Kit
HC-341ES(36), 2008/11/28

Key	Lv	Part no.	Part description	Quantity	Note1	Note2
		P005-001660	DIAPHRAGM/GASKET KIT	1		
8-14	+	P005-001780	DIAPHRAGM	1		
8-13	+	P005-000200	GASKET, METERING	1		
8-21	+	P005-000510	DIAPHRAGM, PUMP	1		
8-22	+	P005-000520	GASKET, PUMP	1		



HC-341ES(36), -36001550, Rebuild Kit
HC-341ES(36), 2008/11/28



HC-341ES(36), -36001550, Rebuild Kit
HC-341ES(36), 2008/11/28

Key	Lv	Part no.	Part description	Quantity	Note1	Note2
		P005-001670	REBUILD KIT	1		
8-17	+	P005-000010	STRAINER	1		
8-11	+	125337-08260	VALVE, INLET NEEDLE	1		
8-10	+	125338-13930	PIN, METERING ARM	1		
8-8	+	P005-000940	SPRING, METER. LEVER	1		
8-10	+	125323-08260	ARM, VALVE	1		
8-14	+	P005-001780	DIAPHRAGM	1		
8-13	+	P005-000200	GASKET, METERING	1		
8-21	+	P005-000510	DIAPHRAGM, PUMP	1		
8-22	+	P005-000520	GASKET, PUMP	1		
8-28	+	P005-001000	ROLLER, GUIDE	1		

