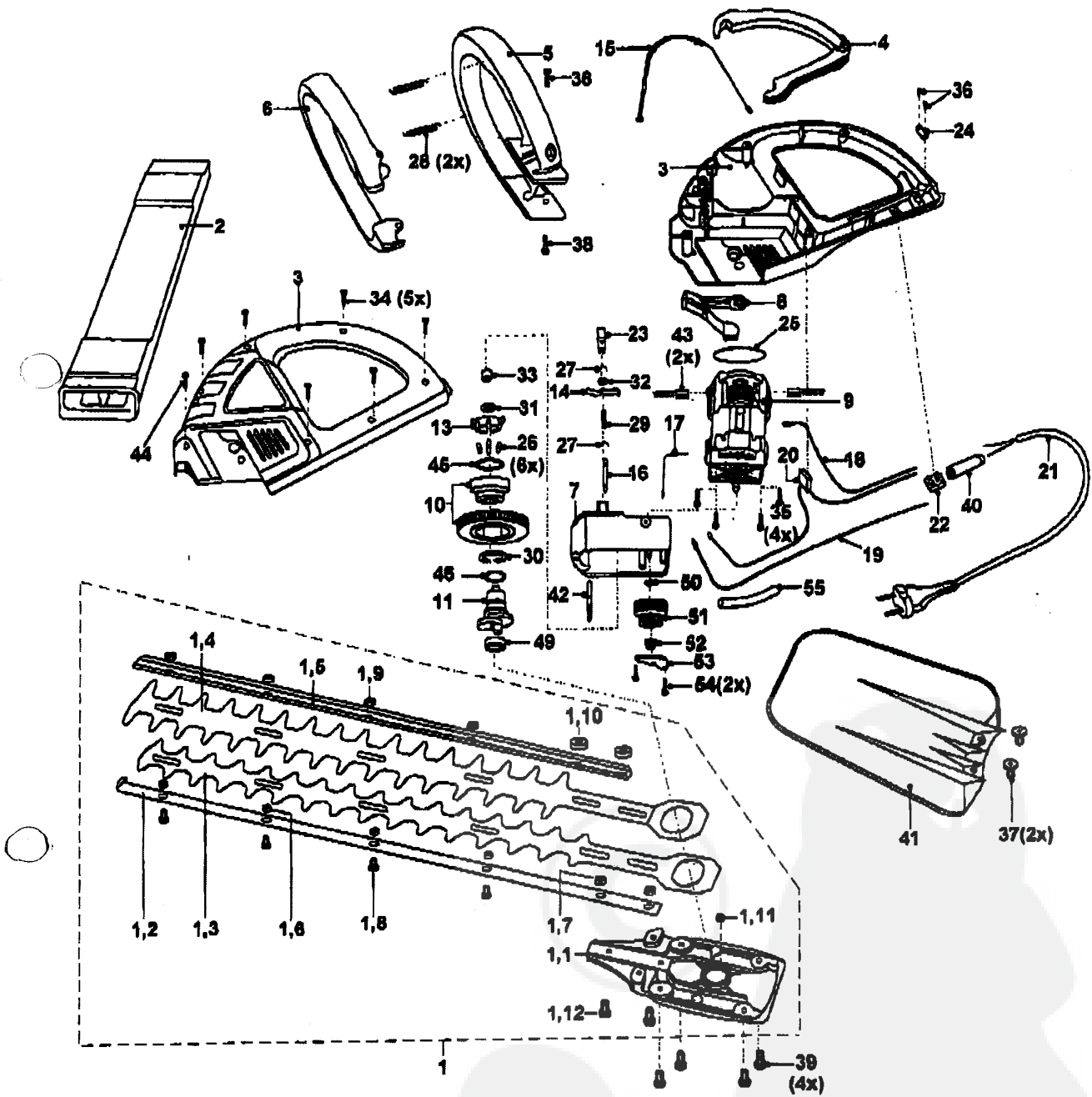


Primo H5 600 / 700 Profi



DRWG No: A

**HS 600 / 700 PROFI
PARTS LIST**

	PART DESCRIPTION	PART NUMBER
1	Shear Systeme HS Primo 600 Profi	45490860
1	Shear Systeme HS Primo 700 Profi	45490861
2	Quiver	45490064
3	Housing Cup ralle	*4549.....
4	Gib Grip.	45490060
5	Handle	45490061
6	Gear - Shift Lever	45490062
7	Gear Housing with Pin	45690867
8	Gear Element	45490063
9	Frame - Motor AM6	45690156
10	Overload Fuse	45491801
11	Eccentric Shaft	45690858
13	Clutch - Cage	45690433
14	Gear Rocker	45490148
15	Bowden Control	45490428
16	Clutch - Bolt (Pin)	45490425
17	Strand 120	45490150
18	Strand 240	45490146
19	Strand 300	45490147
20	Condenser 0,22	45490143
21	Cable with Plug 2 x 1 x 420	45190102
22	Binding Screw	45490144
23	Quick - Break Switch	45490142
24	Tension Relief	45190013
25	O - Ring 56 x 3 NBR 70	45490065
26	Cylinder Needle Roll 4 x 10	45490239
27	Wave Safety Device Ring A5	45490233
28	DR - Spring 0,6 x 8 x 60 x 22ig	45690253
29	DR - Spring 0,8 x 7 x 22 x 9ig	45490238
30	Wave Safety Device Ring A25	45190217
31	Retaining Ring A12	45690248
32	Washer 5,5 x 10 x 1	45490235
33	Needle Sleeve HK 0808	45690243
34	PL - Screw 4 x 20 - LK - TX20	45190204
35	PL - Screw 4 x 16 - LK - TX20	45490232
36	PL - Screw 3,5 x 12 - LK - TX15	45190228
37	SP - Screw 6 x 12 - LK - TX30	45190209
38	SP - Screw 6 x 16 - LK - TX30	45190210
39	SP - Screw 5 x 16 - LK - TX25	45490241
40	Buckling Grommet	45190010
41	Hand Guard	45190011
42	Sealing Felt	45490240
43	Carbon Brush	45190128
44	PL - Screw 4 x 25 - LK - TX20	45190205
45	O - Ring 26 x 1,5 FPM	45490069

46	O - Ring 13 x 3 FPM	45490070
49	Rolling Bearing 607ZZR	45690260
50	Fitting Washer	45690249
51	Gear Sprocket	45690868
52	Intermediate Sleeve	45690852
53	Bearing Sheet	45690438
54	SP - Screw 4 x 12 - SK - TX20	45690256
55	Silcon Hose 5 x 1,5 x 60	45490068
	<u>* by ordering the Housing please note the colour</u>	
1	Shear Systeme HS Primo 600 Profi	45490860
1,1	Basic Plate	45690432
1,2	Under Blade 600	45690863
1,3	Shear Knife 600	45690859
1,4	Shear Comb 600	45690861
1,5	Knife Girder 600	45490813
1,6	Distance Ring 7 x 4,35	45690854
1,7	Distance Ring 10 x 4,35	45690853
1,8	6kt Screw M4 x 12	45190216
1,9	Nut M4	45690267
1,10	Nut M6	45690268
1,11	Rubber Stopper	45490856
1,12	Screw 6 x 18 - LK - PH	45490252
1	Shear Systeme HS Primo 700 Profi	45490861
1,1	Basic Plate	45690432
1,2	Blade Bent Profi 700	45490812
1,3	Shear Knife 700	45490814
1,4	Shear Comb	45490815
1,5	Knife Girder HS 4	45490811
1,6	Distance Ring 7 x 4,35	45690854
1,7	Distance Ring 10 x 4,35	45690853
1,8	6kt Screw M4 x 12	45190216
1,9	Nut M4	45690267
1,10	Nut M6	45690268
1,11	Rubber Stopper	45490856
1,12	Screw 6 x 18 - LK - PH	45490252