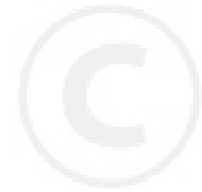
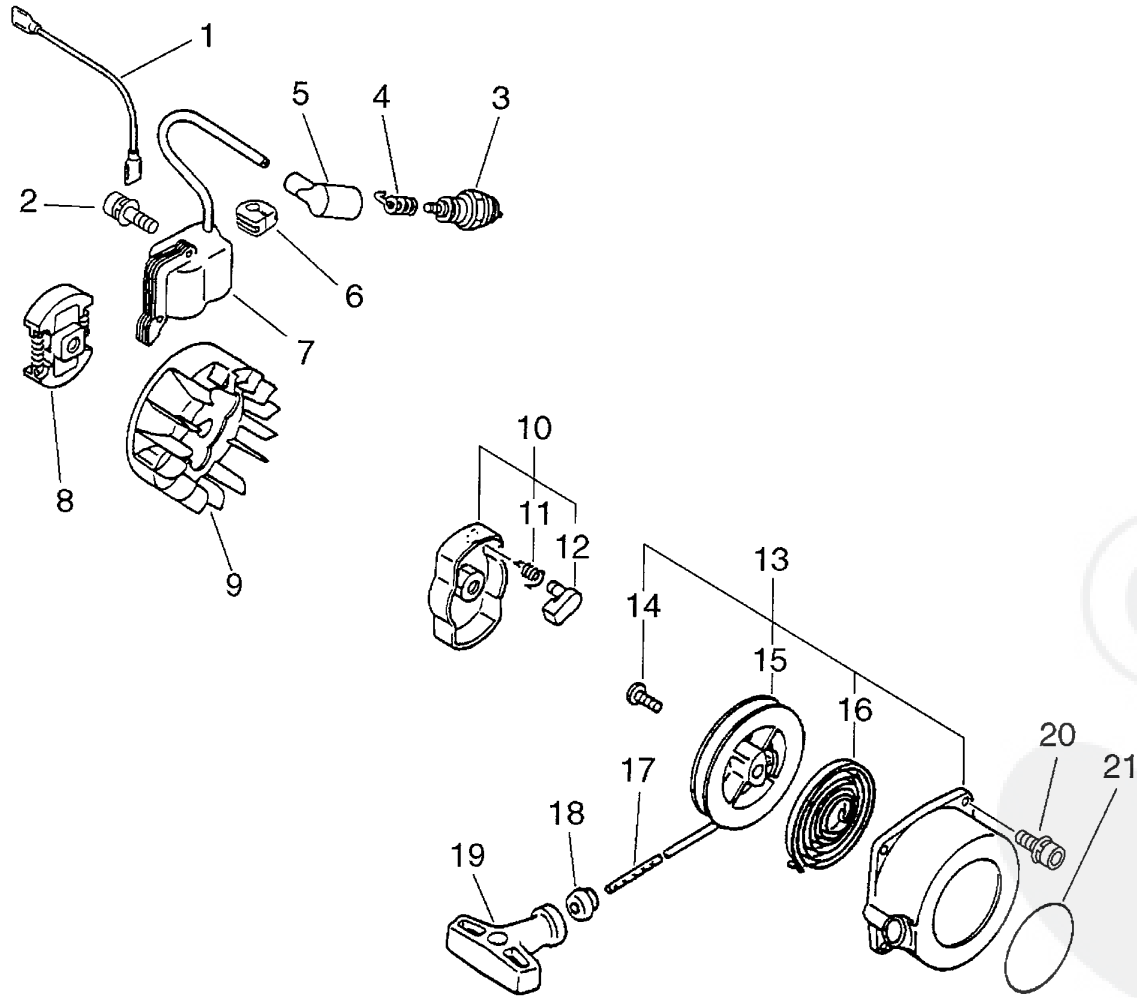


P a r t s L i s t

Group:Hedge Trimmers Model:HCA-2500(36) Section:Cylinder, Crankcase, Piston, Fan Cover(1)

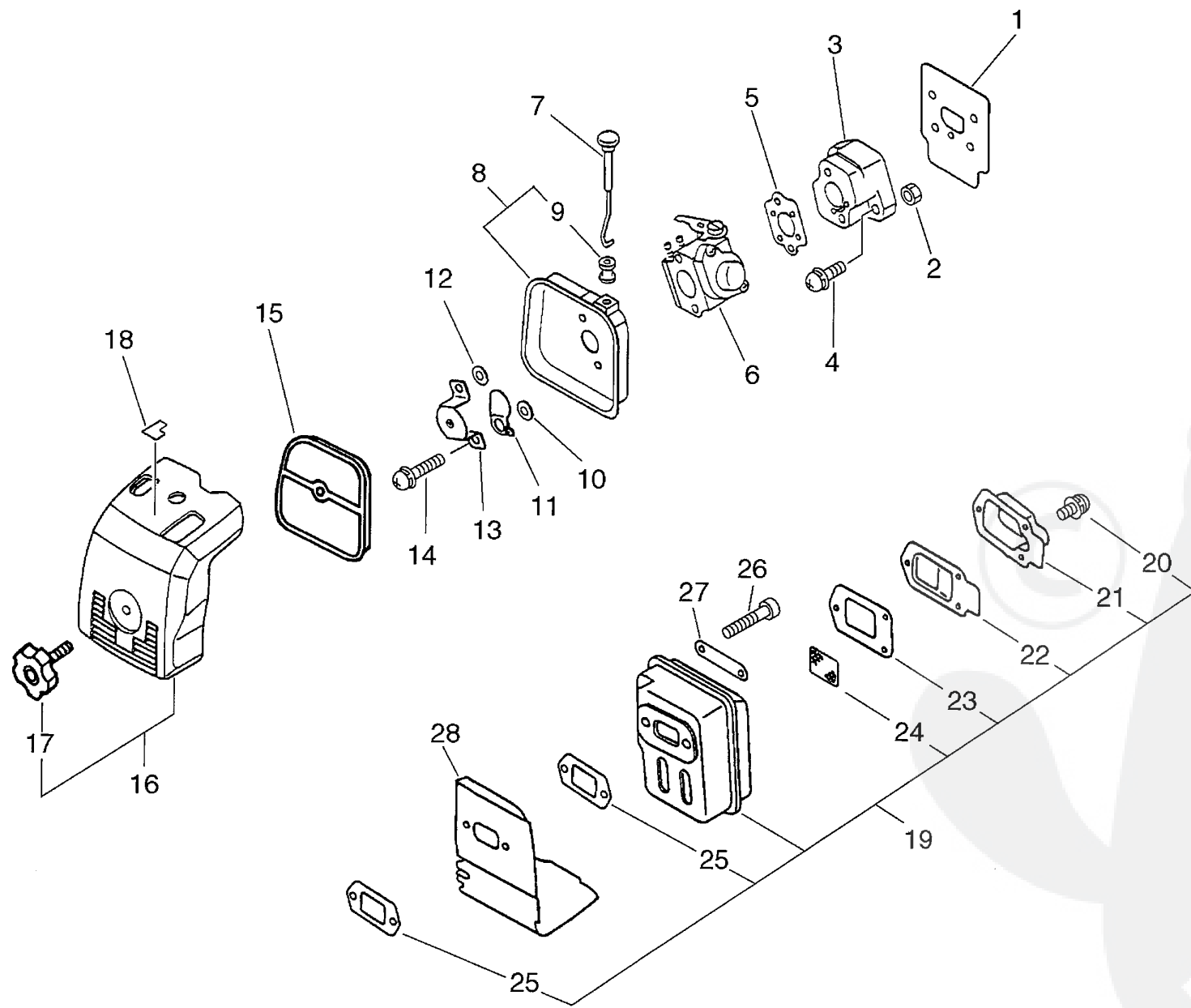
Key	Lv	Part Number	Q'ty	Description	Remarks	Note
1		101011-08961	1	CYLINDER (CR)		
2		900162-05022	2	BOLT, H.S. 5*22		
3		101010-44332	1	GASKET, CYL. BASE		
4		100000-09563	1	PISTON KIT		
5 +		100011-09560	2	RING, PISTON		
6 +		100013-11520	1	PIN, PISTON		
7 +		100015-04630	2	CIRCLIP, PISTON PIN		
8 +		100014-11520	2	SPACER, PISTON PIN		
9		A011-000101	1	CRANKSHAFT,ASM		
10 +		V553-000010	1	BEARING,NEEDLE 8		
11		100204-52132	1	CRANKCASE KIT		
12 +		100212-42031	2	OILSEAL		
13 +		100215-03930	2	PIN, DOWEL		
14 +		94035-36201	2	BEARING BALL		
15 +		100242-42030	1	GASKET, CRANKCASE		
16 +		900162-05028	3	BOLT, H.S. 5*28		
17		900238-05016	1	SCREW 5*16		
18		159912-54130	1	GUARD, TOP		
19		101514-48930	1	COVER, CYLINDER		
20		900163-04016	2	BOLT HSH		
21		175005-48931	1	DRUM, CLUTCH		
22		900702-00028	1	CIRCLIP 28		
23		900807-96001	2	BEARING, BALL 6000		
24		900701-00012	1	CIRCLIP 12		
25		101503-52131	1	COVER ASSY, FAN		
13		100215-03930	2	PIN, DOWEL		
26		900163-04016	4	BOLT HSH		
27		X503-006300	1	LABEL,MODEL		



P a r t s L i s t

Group:Hedge Trimmers Model:HCA-2500(36) Section:Starter, Magneto, Clutch(2)

Key	Lv	Part Number	Q'ty	Description	Remarks	Note
1		162010-52830	1	LEAD, GROUND		
2		900162-04022	2	BOLT, H.S. 4*22		
3		159010-10230	1	PLUG, SPARK (BPMR-7A		
4		159011-03432	1	COIL, SPARK PLUG CAP		
5		159012-03433	1	CAP, SPARK PLUG		
6		156112-40630	1	GROMMET		
7		156626-52630	1	COIL, IGNITION		
8		175000-56830	1	CLUTCH ASSY	Sus. by 175000-56831	
9		156801-44731	1	FLYWHEEL		
10		177202-44331	1	PAWL ASM., STARTER		
11	+	177234-42030	1	SPRING, RETURN		
12	+	177218-44330	1	PAWL, STARTER		
13		177200-42033	1	STARTER ASSY		
14	+	177236-44330	1	SCREW		
15	+	177215-44430	1	DRUM, STARTER		
16	+	177220-42030	1	SPRING, REWIND		
17	+	177226-10120	1	ROPE, STARTER		
18	+	177227-42030	1	GUIDE, ROPE		
19	+	177228-06530	1	GRIP, STARTER		
20		900163-04016	2	BOLT HSH		
21		890118-49130	1	LABEL, ECHO		

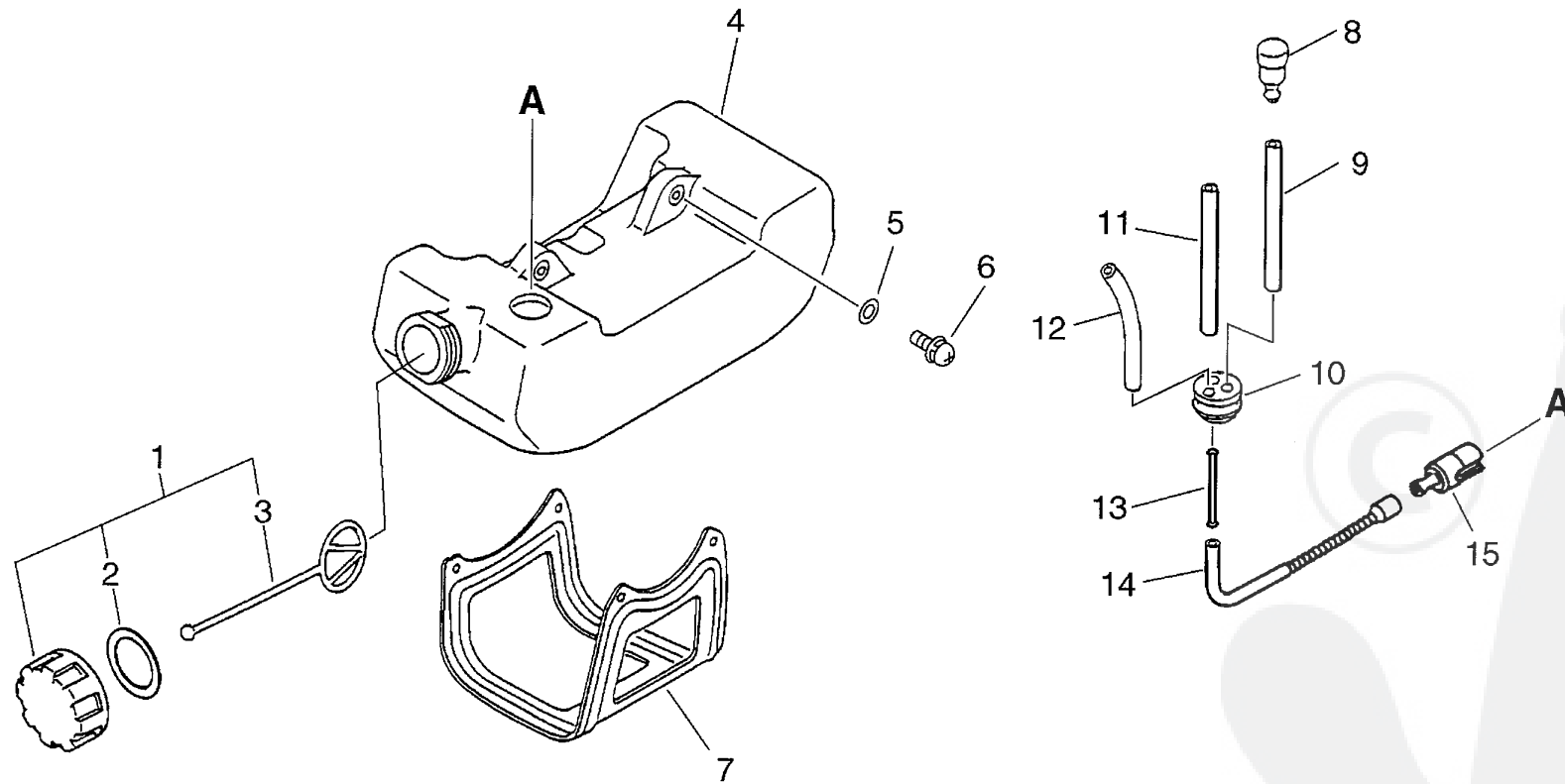


P a r t s L i s t

Date:13-10-2010 Page: 1

Group:Hedge Trimmers Model:HCA-2500(36) Section:Air Cleaner, Muffler(3)

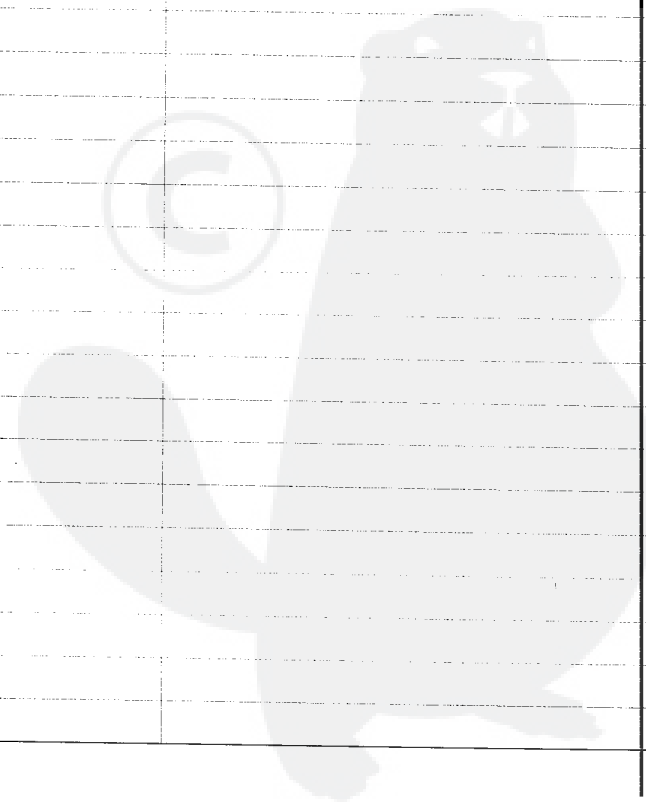
Key	Lv	Part Number	Q'ty	Description	Remarks	Note
1		130010-42032	1	GASKET, INTAKE		
2		900500-00005	2	NUT 5		
3		130017-42031	1	INSULATOR, INTAKE		
4		900238-05020	2	SCREW 5*20		
5		130010-05960	1	GASKET, INTAKE		
6		123000-52133	1	CARBURETOR WT-424C		
7		178510-51730	1	ROD, CHOKE		
8		130301-51730	1	CASE, AIR CLEANER		
9	+	178810-05230	1	GROMMET		
10		178516-00830	1	SPACER		
11		178515-05060	1	SHUTTER, CHOKE		
12		900600-00005	1	WASHER 5		
13		129011-52131	1	PLATE		
14		900242-05057	2	SCREW 5*57		
15		130310-51830	1	FILTER, AIR		
16		130302-52131	1	COVER ASY, A.CLEANER		
17	+	130406-52131	1	KNOB, FASTENER		
18		890121-47530	1	LABEL, CHOKE		
19		P021-008940	1	MUFFLER ASY		
20	+	900242-04010	3	SCREW 4*10		
21	+	145818-52130	1	GUIDE, EXHAUST		
22	+	145876-42030	1	LID, MUFFLER (B)		
23	+	145866-42031	1	GASKET, MUFFLER LID		
24	+	145862-40630	1	SCREEN, MUFFLER		
25	+	V104-000160	2	GASKET, EXHAUST		
26		900105-05055	2	BOLT, H.S. 5*55		
27		145642-04930	1	WASHER		
28		A320-000251	1	COVER, MUFFLER		

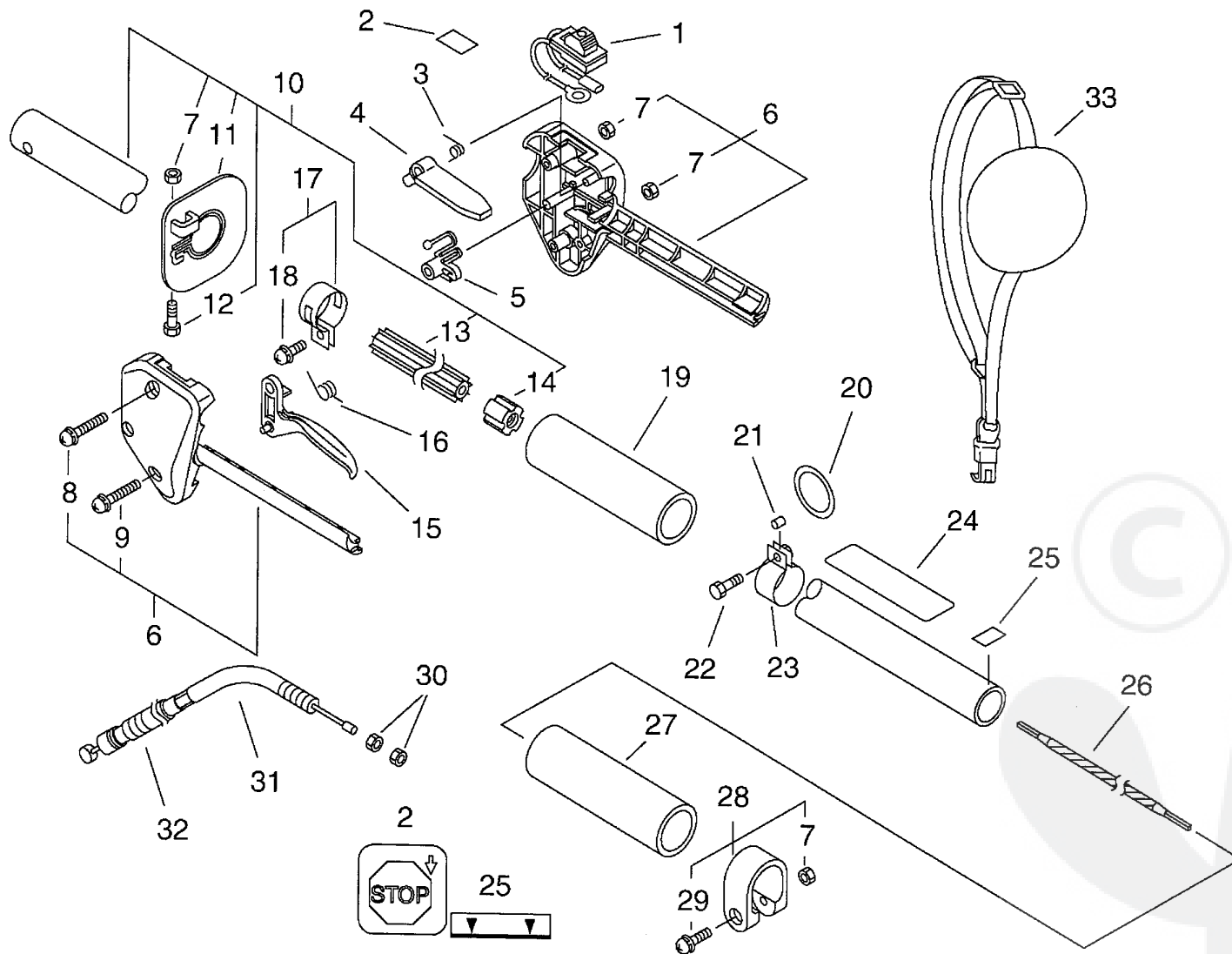


P a r t s L i s t

Group:Hedge Trimmers Model:HCA-2500(36) Section:Fuel Tank(4)

Key	Lv	Part Number	Q'ty	Description	Remarks	Note
1		131004-08960	1	CAP ASSY, FUEL		
2	+	131016-55830	1	GASKET, FUEL CAP		
3	+	131051-52430	1	CONNECTOR, CAP		
4		131005-46831	1	TANK, FUEL		
5		900603-00005	2	WASHER 5		
6		900238-05016	2	SCREW 5*16		
7		305110-42030	1	STAND (BL)		
8		A356-000030	1	VALVE,CHECK		
9		V471-001200	1	PIPE		
10		V137-000030	1	GROMMET, FUEL		
11		V471-001200	1	PIPE		
12		132010-56330	1	PIPE 3*6*90		
13		132012-12360	1	PIPE, FUEL	Sus. by 132012-12361	
14		132011-03360	1	CONNECTOR, FUEL PIPE		
15		131205-07320	1	STRAINER, FUEL		



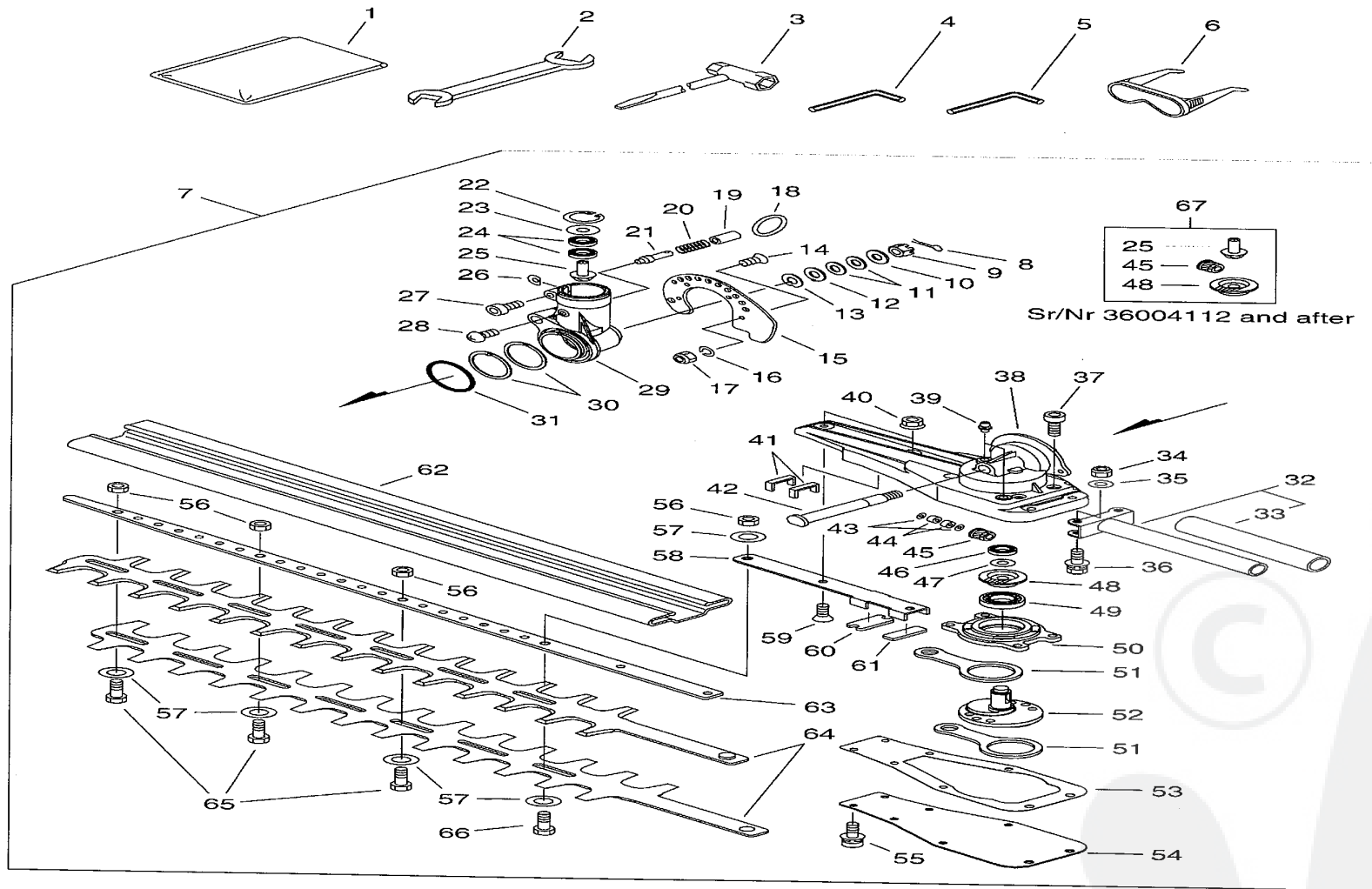


P a r t s L i s t

Date:13-10-2010 Page: 1

Group:Hedge Trimmers Model:HCA-2500(36) Section:Handle(5)

Key	Lv	Part Number	Q'ty	Description	Remarks	Note
1		163401-55631	1	SWITCH, IGNITION		
2		890157-39130	1	LABEL, SWITCH		
3		178013-52630	1	SPRING, THR. LOCK		
4		178090-52632	1	LOCKOUT, T. CONTROL		
5		178012-52730	1	LOCKOUT, THROTTLE		
6		178003-52130	1	BRACKET SET, THROTTLE		
7	+	900500-00005	2	NUT 5		
8	+	900242-05035	1	SCREW 5*35		
9	+	900242-05025	1	SCREW 5*25		
10		C050-000440	1	PIPE, MAIN		
7	+	900500-00005	1	NUT 5		
11	+	C440-000020	1	GUARD, HAND		
12	+	900142-05020	1	BOLT 5*20 (W/W, SW)		
13	+	610217-44730	1	LINER, FLEXIBLE		
14	+	610246-44730	2	STOPPER		
15		178010-52130	1	CONTROL, THROTTLE		
16		178043-42230	1	SPRING, THR. RETURN		
17		301200-29430	1	BAND ASSY		
18	+	900242-05014	1	SCREW 5*14		
19		351213-52130	1	GRIP		
20		301016-52730	1	RING, HARNESS		
21		699012-03330	1	SPACER		
22		900100-05018	1	BOLT 5*18		
23		301207-08930	1	HOOK		
24		890617-12361	1	LABEL, CAUTION		
25		890152-04930	1	LABEL, CAUTION		
26		610013-44730	1	SHAFT, FLEXIBLE		
27		351012-54330	1	GRIP		



P a r t s L i s t

Date:13-10-2010 Page: 1

Group:Hedge Trimmers Model:HCA-2500(36) Section:Gear Case, Cutter, Tools(6)

Key	Lv	Part Number	Q'ty	Description	Remarks	Note
1		898510-39130	1	BAG, TOOL		
2		895112-00330	1	SPANNER 8*10		
3		X602-000020	1	TOOL, WRENCH		
4		895612-03430	1	L-WRENCH (3MM)		
5		895610-00130	1	L-WRENCH (4MM)		
6		P021-002861	1	GOGGLES		
7		P021-010460	1	CASE ASY, GEAR	Sus. by P021-010464	
7		P021-010461	1	CASE ASY, GEAR	Sus. by P021-010464	
7		P021-010462	1	CASE ASY, GEAR	Sus. by P021-010464	
7		P021-010463	1	CASE ASY, GEAR	Sus. by P021-010464	
7		P021-010464	1	CASE ASY, GEAR		
8	+	93000-16180	1	PIN SPLIT		
9	+	900529-00008	1	NUT, SLOTT 8		
10	+	V306-000140	1	WASHER, CIRCULAR 8		
11	+	V347-000010	2	WASHER, CONICAL		
12	+	V340-000110	1	WASHER		
13	+	V110-000040	1	GASKET, GEAR CASE		
14	+	900212-04012	2	SCREW 4*12		
15	+	C465-000000	1	RESETTER, LATCH	Sus. by C465-000010	
15	+	C465-000010	1	RESETTER, LATCH		
16	+	900605-00004	2	WASHER, SPRING 4		
17	+	900560-00004	2	LOCKNUT		
18	+	V583-000050	1	RING		
19	+	V355-000310	1	COLLAR, 8		
20	+	V450-000420	1	SPRING, COMPRESSION		
21	+	V642-000020	1	PIN, LINCH		
22	+	900702-00022	1	CIRCLIP 22		
23	+	V583-000060	1	RING		

P a r t s L i s t

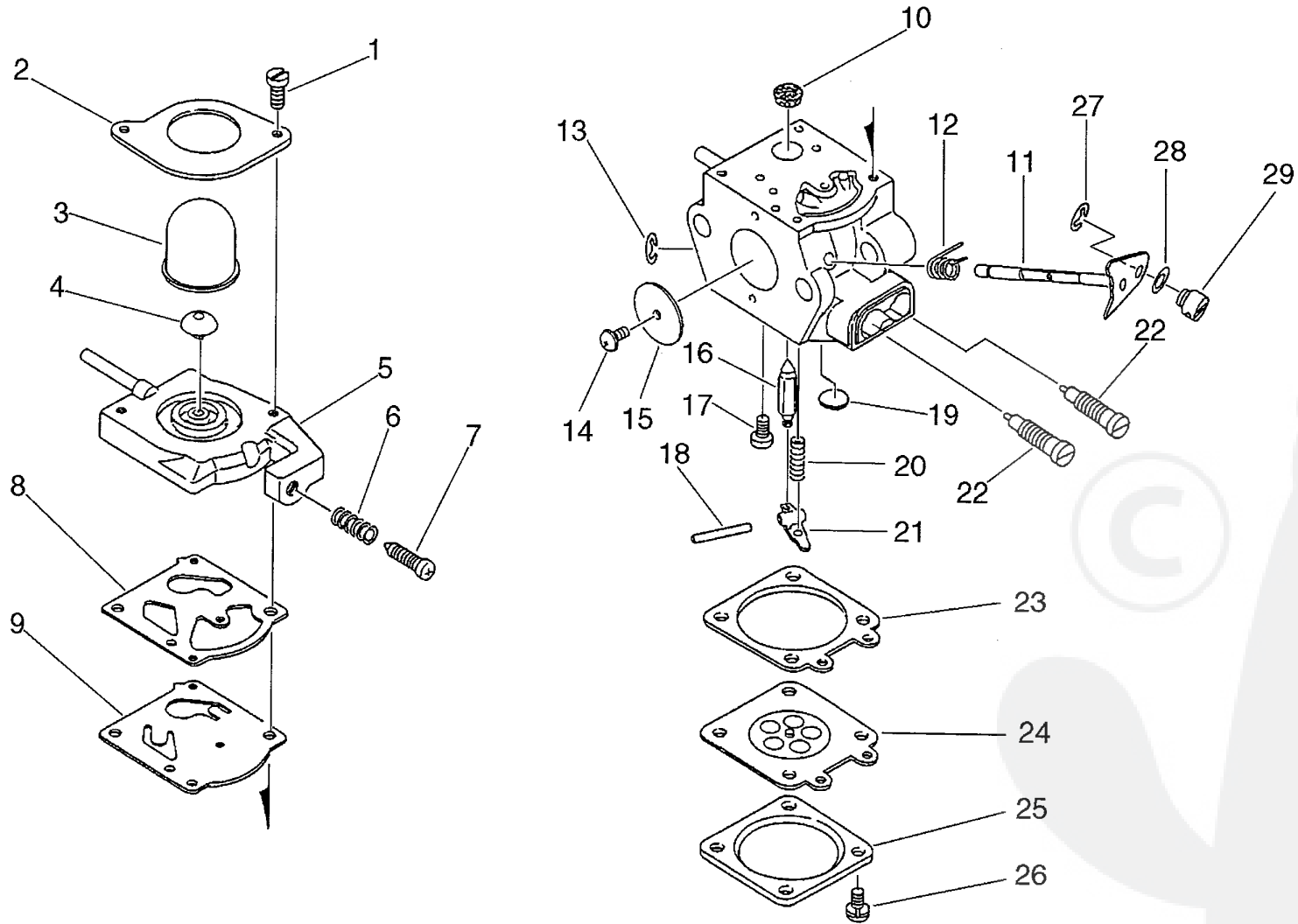
Group:Hedge Trimmers Model:HCA-2500(36) Section:Gear Case, Cutter, Tools(6)

Key	Lv	Part Number	Q'ty	Description	Remarks	Note
24	+	900859-06900	2	BEARING, BALL 6900		
25	+	V651-000150	1	GEAR, BEVEL	Sr/Nr 36004111 and before	
67	+	P021-010690	1	BEVEL GEAR SET	Sr/Nr 36004112 and after	
25	++	V651-000240	1	GEAR, BEVEL	Can be used on the P021-010690 only	
45	++	V651-000250	1	GEAR, BEVEL	Can be used on the P021-010690 only	
48	++	V651-000260	1	GEAR, BEVEL	Can be used on the P021-010690 only	
26	+	V340-000170	1	WASHER		
27	+	900162-05025	1	BOLT, H.S. 5*25		
28	+	900242-05012	1	SCREW 5*12		
29	+	C531-000291	1	CASE, GEAR	Sus. by C531-000292	
29	+	C531-000292	1	CASE, GEAR		
30	+	V340-000120	2	WASHER		
31	+	900724-00032	1	O-RING		
32	+	351305-12360	1	HANDLE		
33	++	351315-12360	1	GRIP, HANDLE		
34	+	900560-00005	2	NUT, LOCK 5		
35	+	900600-00005	2	WASHER 5		
36	+	900142-05028	2	BOLT 5*28 (W/W, SW)		
37	+	900105-05008	4	BOLT, H.S. 5*8		
38	+	C531-000301	1	CASE, GEAR	Sus. by C531-000302	
38	+	C531-000302	1	CASE, GEAR		
39	+	880110-10860	2	NIPPLE, GREASE		
40	+	900516-00005	2	NUT, FRANGE 5		
41	+	V541-000130	2	SEAL		
42	+	C534-000260	1	SHAFT, GEAR		
43	+	V307-000150	2	WASHER, CIRCULAR 10		
44	+	V555-000040	2	BEARING, NEEDLE 10		
45	+	V651-000140	1	GEAR, BEVEL	Sr/Nr 36004111 and before	

P a r t s L i s t

Group:Hedge Trimmers Model:HCA-2500(36) Section:Gear Case, Cutter, Tools(6)

Key	Lv	Part Number	Q'ty	Description	Remarks	Note
46	+	900855-06900	1	BEARING, BALL 6900		
47	+	V583-000040	1	RING		
48	+	V651-000160	1	GEAR, BEVEL	Sr/Nr 36004111 and before	
49	+	900800-06001	1	BEARING, BALL 6001		
50	+	C503-000071	1	HOLDER, BEARING	Sus. by C503-000072	
50	+	C503-000072	1	HOLDER, BEARING		
51	+	C532-000120	2	ROD, CONNECTING	Sus. by C532-000140	
51	+	C532-000140	2	ROD, CONNECTING		
52	+	C533-000040	1	CAM	Sus. by C533-000041	
52	+	C533-000041	1	CAM		
53	+	V110-000050	1	GASKET, GEAR CASE	Sus. by V110-000051	
53	+	V110-000051	1	GASKET, GEAR CASE		
54	+	C539-000010	1	LID, GEARCASE		
55	+	900162-04012	6	BOLT, H.S. 4*12	Sus. by 900162-04014	
56	+	433022-06460	4	NUT		
57	+	699118-04560	5	WASHER		
58	+	C538-000120	1	GUIDE, CUTTER		
59	+	900212-05020	2	SCREW 5*20		
60	+	C538-000110	1	GUIDE, CUTTER		
61	+	C538-000100	1	GUIDE, CUTTER		
62	+	898523-12360	1	SCABBARD, BLADE	Sus. by X495-000060	
62	+	X495-000060	1	SCABBARD, BLADE		
63	+	X425-000170	1	SUPPORT, CUTTER	Sus. by X425-000220	
63	+	X425-000220	1	SUPPORT, CUTTER		
64	+	X411-000260	2	CUTTER	Sus. by X411-000350	
64	+	X411-000350	2	CUTTER		
65	+	699115-04660	3	BOLT 6		
66	+	699115-07760	1	BOLT, CUTTER		



P a r t s L i s t

Group:Hedge Trimmers Model:HCA-2500(36) Section:Carburetor(7)

Key	Lv	Part Number	Q'ty	Description	Remarks	Note
		123000-52133	1	CARBURETOR WT-424C		
1	+	123110-43130	2	SCREW		
2	+	123142-09560	1	COVER, PRIMER PUMP		
3	+	123181-09560	1	PUMP, PRIMER		
4	+	123171-35630	1	VALVE, CHECK		
5	+	123124-43230	1	COVER, FUEL PUMP		
6	+	123133-04260	1	SPRING, IDLE ADJUST		
7	+	123134-04260	1	SCREW, IDLE ADJUST		
8	+	123125-09560	1	GASKET, FUEL PUMP		
9	+	123112-09560	1	DIAPHRAGM, FUEL PUMP		
10	+	123126-10631	1	SCREEN, INLET		
11	+	123117-52130	1	SHAFT, THROTTLE		
12	+	123113-52130	1	SPRING, THE.RTN		
13	+	123127-15030	1	RING		
14	+	123114-38830	1	SCREW		
15	+	123116-53130	1	VALVE, THROTTLE		
16	+	123137-19830	1	VALVE, INLET NEEDLE		
17	+	123139-03930	1	SCREW, M. LEVER PIN		
18	+	123138-03930	1	PIN, METERING LEVER		
19	+	123146-10631	1	PLUG, WELCH		
20	+	123122-39330	1	SPRING, METER. LEVER		
21	+	123123-03930	1	LEVER, METERING		
22	+	123120-52131	2	NEEDLE, HIGH SPEED		
23	+	123140-03930	1	GASKET, M. DIAPHRAGM		
24	+	123141-03930	1	DIAPHRAGM, METERING		
25	+	123142-03930	1	COVER, M. DIAPHRAGM		
26	+	123130-02960	4	SCREW		
27	+	123173-07930	1	CLIP		

