

Parts List

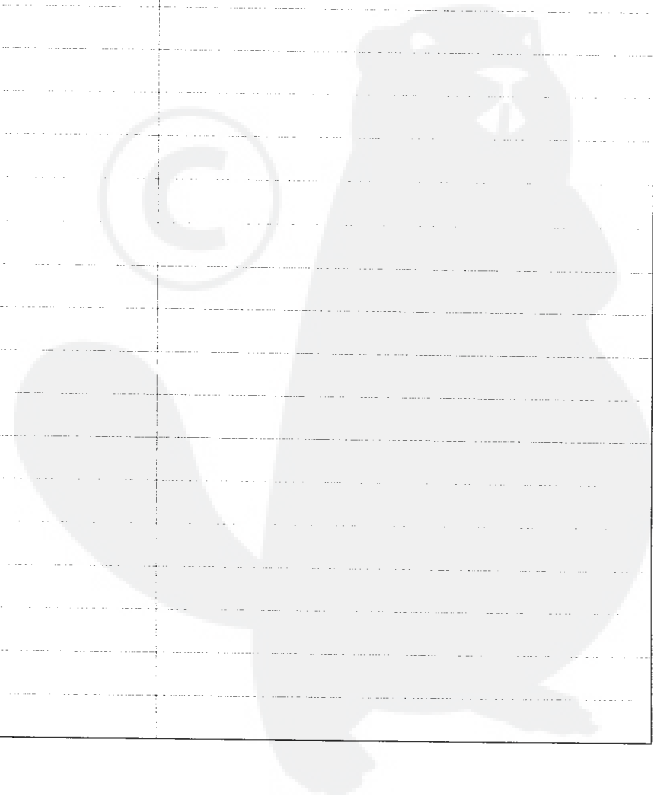
Group:Hedge Trimmers Model:HCR-1500(6digits)(35)(36) Section:Cylinder, Crankcase, Piston(Sr/Nr 36005212 and before) (1)

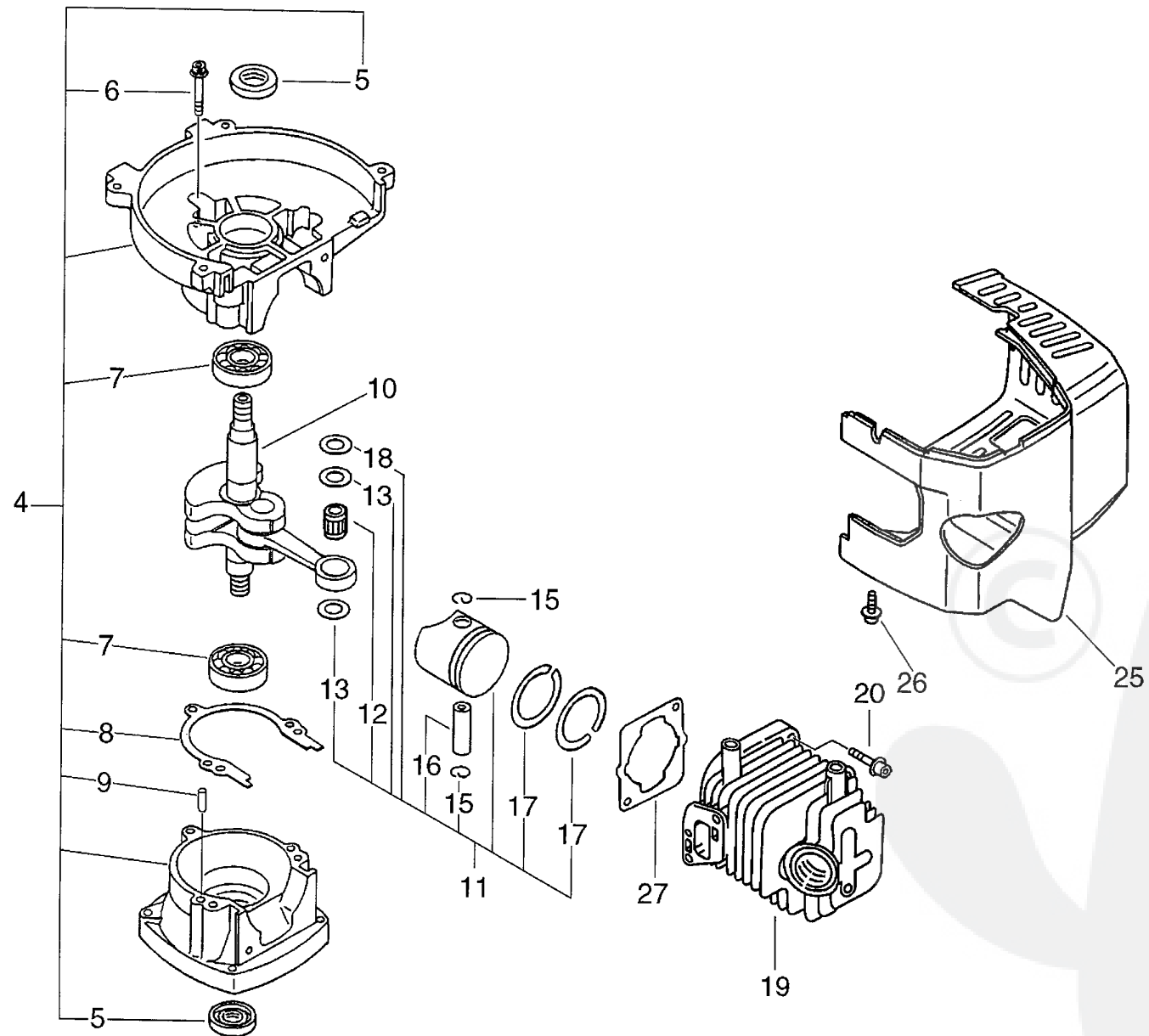
Key	Lv	Part Number	Q'ty	Description	Remarks	Note
4		100204-05360	1	CRANKCASE KIT	Sus. by 100204-05361	
4		100204-05361	1	CRANKCASE KIT		
5 +		100212-42030	2	OILSEAL	Sus. by 100212-42031	
5 +		100212-42031	2	OILSEAL		
6 +		900162-05028	3	BOLT, H.S. 5*28		
7 +		900810-36201	2	BEARING, BALL 6201	Sus. by 94035-36201	
7 +		94035-36201	2	BEARING BALL		
8 +		100242-42030	1	GASKET, CRANKCASE		
9 +		100215-03930	2	PIN, DOWEL		
10		100100-06560	1	CRANKSHAFT ASSY	Sus. by 100100-06564	
10		100100-06561	1	CRANKSHAFT	Sus. by 100100-06564	
10		100100-06562	1	CRANKSHAFT	Sus. by 100100-06564	
10		100100-06563	1	CRANKSHAFT	Sus. by 100100-06564	
10		100100-06564	1	CRANKSHAFT		
11		100000-06962	1	PISTON KIT	Sus. by P021-001113	
11		P021-001111	1	PISTON KIT	Sus. by P021-001113	
11		P021-001112	1	PISTON KIT	Sus. by P021-001113	
11		P021-001113	1	PISTON KIT		
12 +		100113-05930	1	BEARING, NEEDLE		
13 +		100014-08960	2	SPACER, PISTON PIN		
15 +		100015-04630	2	CIRCLIP, PISTON PIN		
16 +		100013-11520	1	PIN, PISTON		
17 +		100011-05330	2	RING, PISTON	Sus. by A101-000000	
17 +		A101-000000	2	RING, PISTON		
18 +		V306-000150	1	WASHER, CIRCULAR 8	Sr/Nr 36001001 and after	
19		101011-06562	1	CYLINDER		
20		900162-05022	2	BOLT, H.S. 5*22		
25		101506-06560	1	COVER, CYLINDER	Sus. by 101506-06561	

Parts List

Group:Hedge Trimmers Model:HCR-1500(6digits)(35)(36) Section:Cylinder, Crankcase, Piston(Sr/Nr 36005212 and before)(1)

Key	Lv	Part Number	Q'ty	Description	Remarks	Note
25		101506-06561	1	COVER, CYLINDER	Sr/Nr 36005212 and before	
26		900162-04020	2	BOLT, H.S. 4*20		
27		101010-44332	1	GASKET, CYL. BASE		

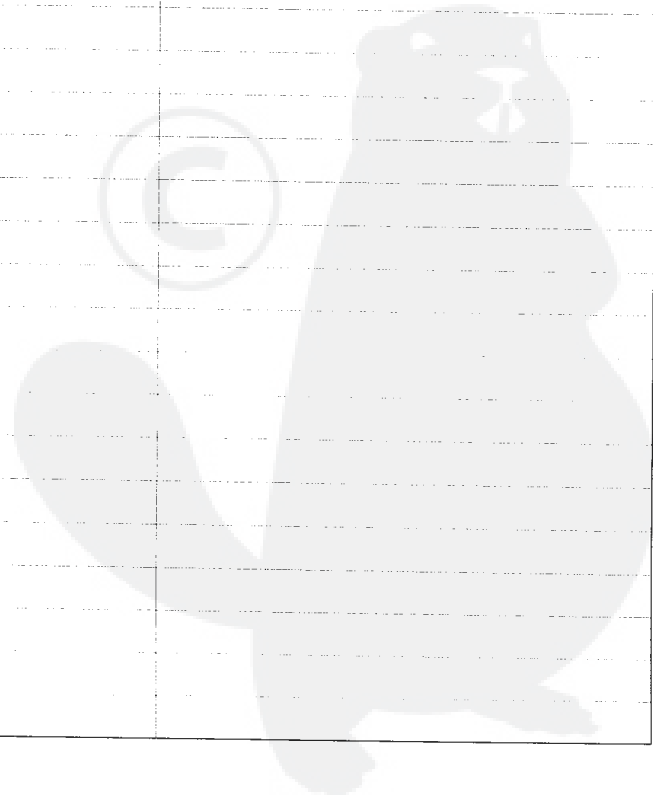


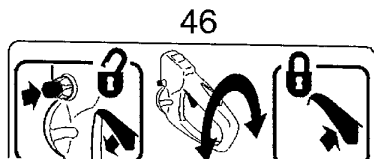
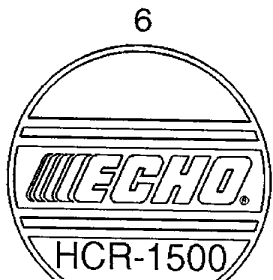
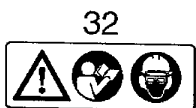
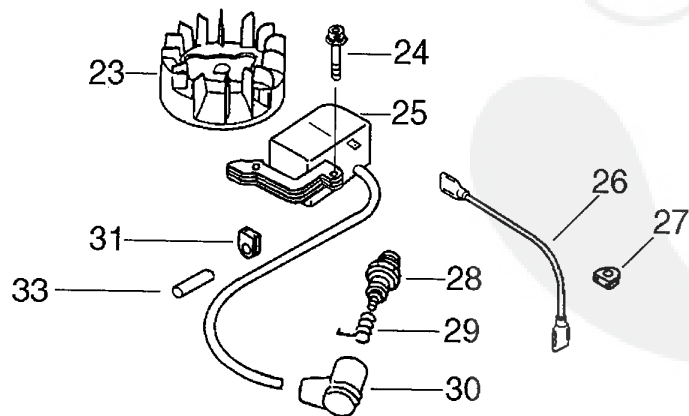
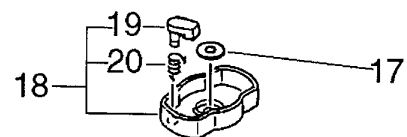
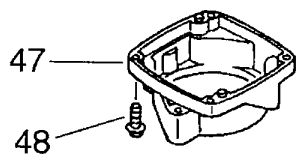
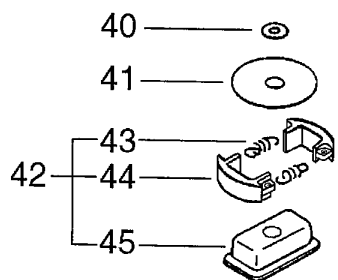
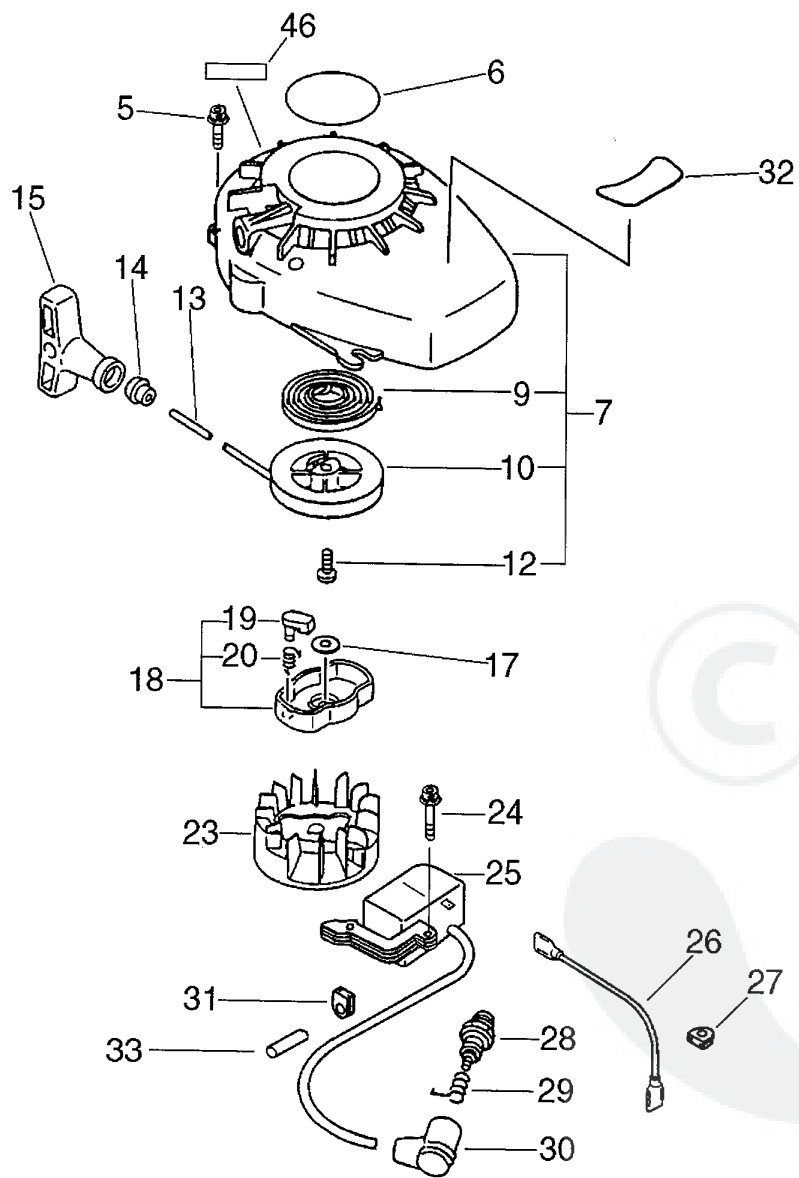


P a r t s L i s t

Group:Hedge Trimmers Model:HCR-1500(6digits)(35)(36) Section:Cylinder, Crankcase, Piston(Sr/Nr 36005213 and after)(2)

Key	Lv	Part Number	Q'ty	Description	Remarks	Note
4		100204-05361	1	CRANKCASE KIT		
5	+	100212-42031	2	OILSEAL		
6	+	900162-05028	3	BOLT, H.S. 5*28		
7	+	94035-36201	2	BEARING BALL		
8	+	100242-42030	1	GASKET, CRANKCASE		
9	+	100215-03930	2	PIN, DOWEL		
10		100100-06564	1	CRANKSHAFT		
11		P021-001113	1	PISTON KIT		
12	+	100113-05930	1	BEARING, NEEDLE		
13	+	100014-08960	2	SPACER, PISTON PIN		
15	+	100015-04630	2	CIRCLIP, PISTON PIN		
16	+	100013-11520	1	PIN, PISTON		
17	+	A101-000000	2	RING, PISTON		
18	+	V306-000150	1	WASHER, CIRCULAR 8		
19		101011-06562	1	CYLINDER		
20		900162-05022	2	BOLT, H.S. 5*22		
25		101506-05361	1	COVER, CYLINDER	Sr/Nr 36005213 and after	
26		900162-04020	2	BOLT, H.S. 4*20		
27		101010-44332	1	GASKET, CYL. BASE		





P a r t s L i s t

Date:17/05/2010 Page: 1

Group:Hedge Trimmers Model:HCR-1500(6digits)(35)(36) Section:Starter, Magneto, Clutch(Sr/Nr 36005212 and before)(3)

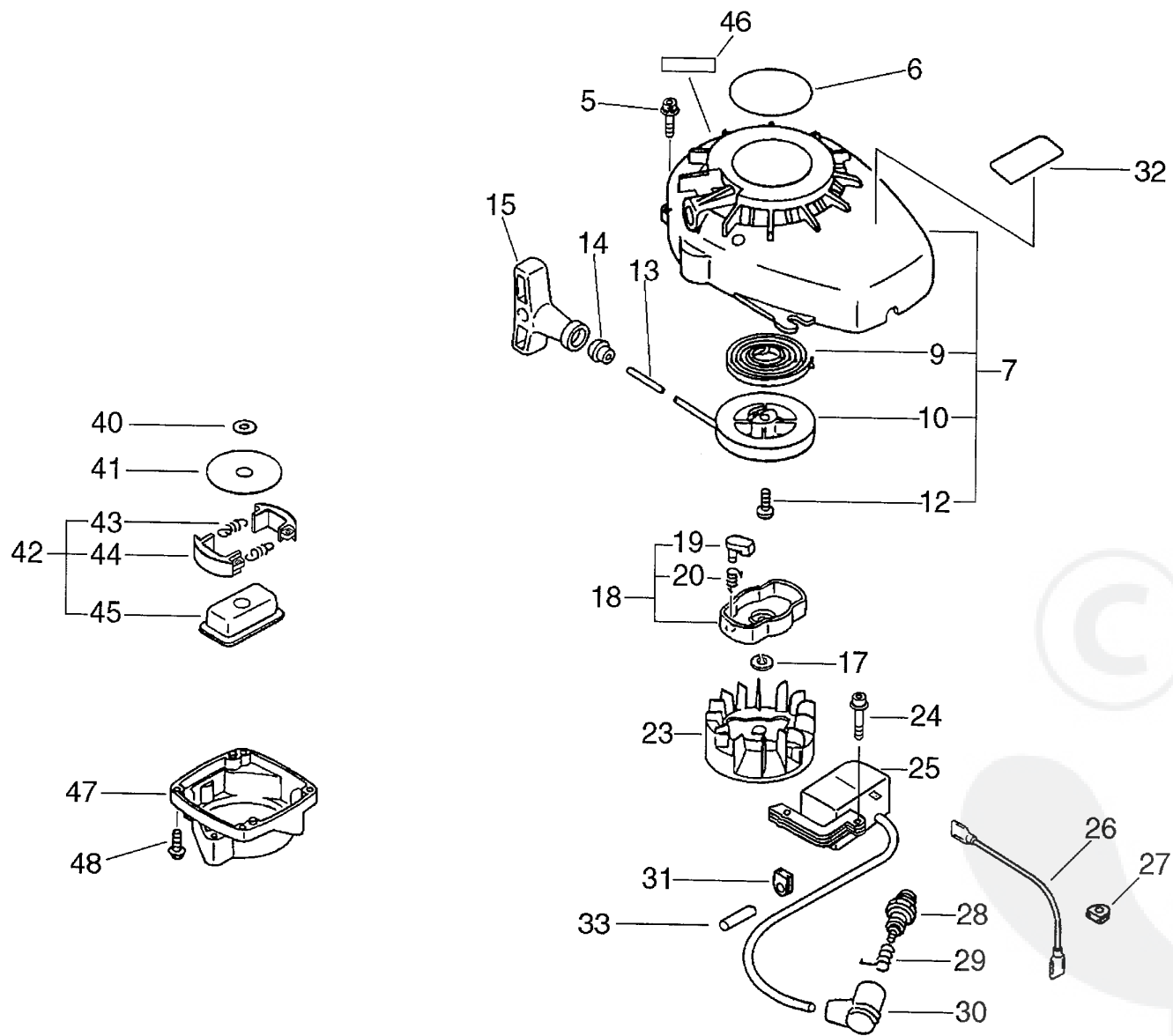
Key	Lv	Part Number	Q'ty	Description	Remarks	Note
5		900162-04016	4	BOLT, H.S. 4*16		
6		890118-49130	1	LABEL, ECHO	Sus. by 890112-25460	
6		890112-25460	1	LABEL, MODEL	Sus. by 890112-25461	
6		890112-25461	1	LABEL, MODEL	Sus. by X502-000330	
7		177200-06562	1	STARTER ASSY	Sus. by 177200-12220	
7		177200-12220	1	STARTER ASSY	Sr/Nr 015205 and before	
7		177200-06562	1	STARTER ASSY	Sus. by 177200-06563	
7		177200-06563	1	STARTER ASSY	Sr/Nr 015206 to 36005212	
9 +		177220-42030	1	SPRING, REWIND		
10 +		177215-44430	1	DRUM, STARTER		
12 +		177236-44330	1	SCREW		
13 +		177226-05530	1	ROPE, STARTER		
14 +		177227-42030	1	GUIDE, ROPE		
15 +		177228-06530	1	GRIP, STARTER	Sus. by 177228-11120	
15 +		177228-11120	1	GRIP, STARTER	Sr/Nr 015205 and before	
15 +		177228-06530	1	GRIP, STARTER	Sr/Nr 015206 and after	
17		900605-00008	1	WASHER, SPRING 8		
18		177202-44330	1	PAWL ASSY, STARTER	Sus. by 177202-44331	
18		177202-44331	1	PAWL ASM., STARTER		
19 +		177218-44330	1	PAWL, STARTER		
20 +		177234-42030	1	SPRING, RETURN		
23		156801-44330	1	FLYWHEEL	Sr/Nr 002780 and before	
23		156801-05360	1	FLYWHEEL	Sr/Nr 002781 and after	
24		900162-04022	2	BOLT, H.S. 4*22		
25		156626-11820	1	COIL, IGNITION	Sr/Nr 002780 and before	
25		156601-52130	1	COIL, IGNITION	Sr/Nr 002781 and after	
25		A411-000080	1	COIL,IGNITION	Sr/Nr 015206 and after	
26		162021-52830	1	LEAD	Sr/Nr 002781 and after	

P a r t s L i s t

Date:17/05/2010 Page: 2

Group:Hedge Trimmers Model:HCR-1500(6digits)(35)(36) Section:Starter, Magneto, Clutch(Sr/Nr 36005212 and before) (3)

Key	Lv	Part Number	Q'ty	Description	Remarks	Note
27		156114-04920	1	GROMMET		
28		159017-12330	1	PLUG, SPARK (RCJ-8Y)		
29		159011-03432	1	COIL, SPARK PLUG CAP		
30		159012-03433	1	CAP, SPARK PLUG		
31		156110-04920	1	BUSHING		
32		890034-13360	1	LABEL, MODEL	Sus. by 890617-07660	
32		890617-07660	1	LABEL, CAUTION	Sus. by X503-008850	
33		V475-001900	1	TUBE		
40		175014-05360	1	WASHER, CLUTCH		
41		175019-04920	1	PLATE, CLUTCH		
42		175000-06560	1	CLUTCH ASSY		
43 +		175018-05960	2	SPRING, CLUTCH		
44 +		175009-05131	2	SHOE, CLUTCH		
45 +		175016-04920	1	HUB, CLUTCH		
46		890123-13360	1	LABEL, CAUTION		
47		175055-05360	1	HOUSING, CLUTCH	Sr/Nr 015206 and after	
48		900162-04016	2	BOLT, H.S. 4*16	Sr/Nr 015206 and after	



P a r t s L i s t

Date:17/05/2010 Page: 1

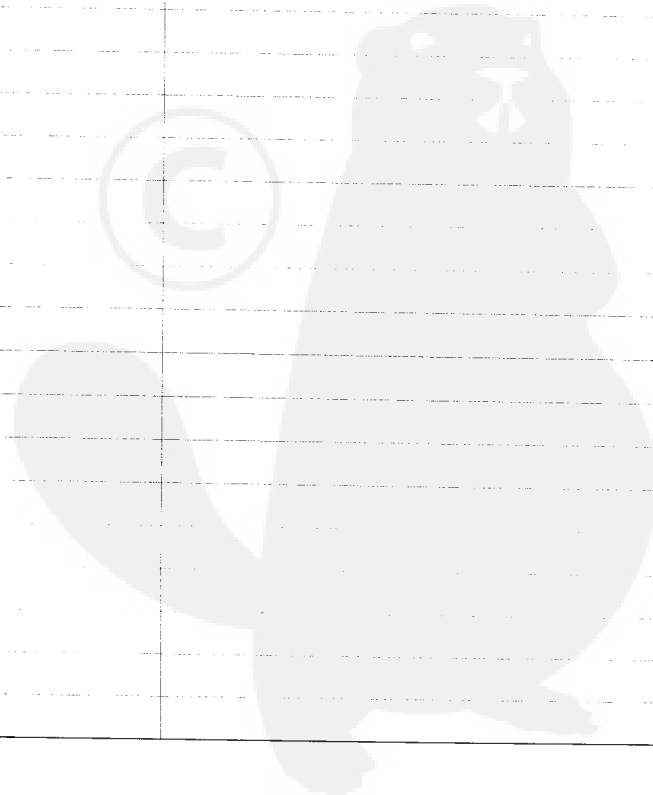
Group:Hedge Trimmers Model:HCR-1500(6digits)(35)(36) Section:Starter, Magneto, Clutch(Sr/Nr 36005213 and after)(4)

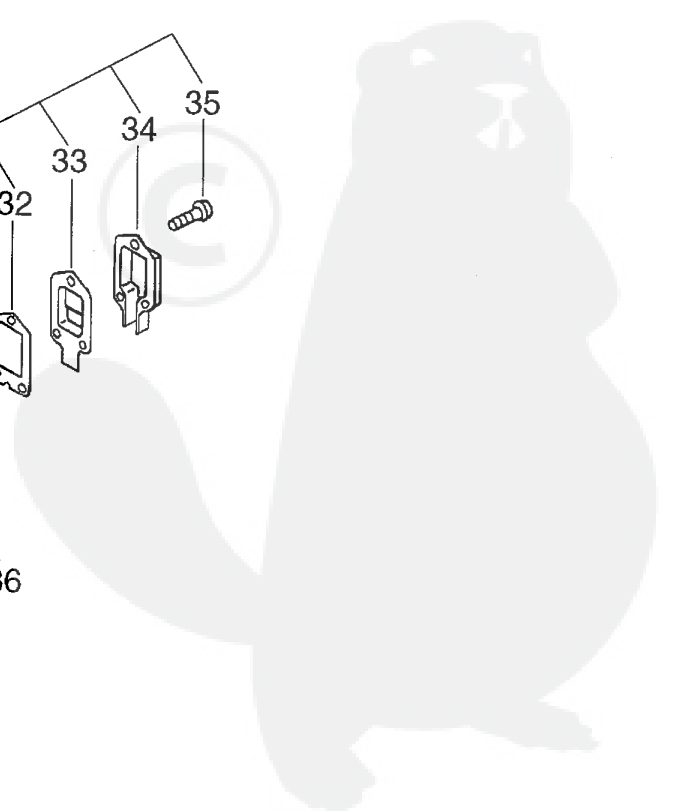
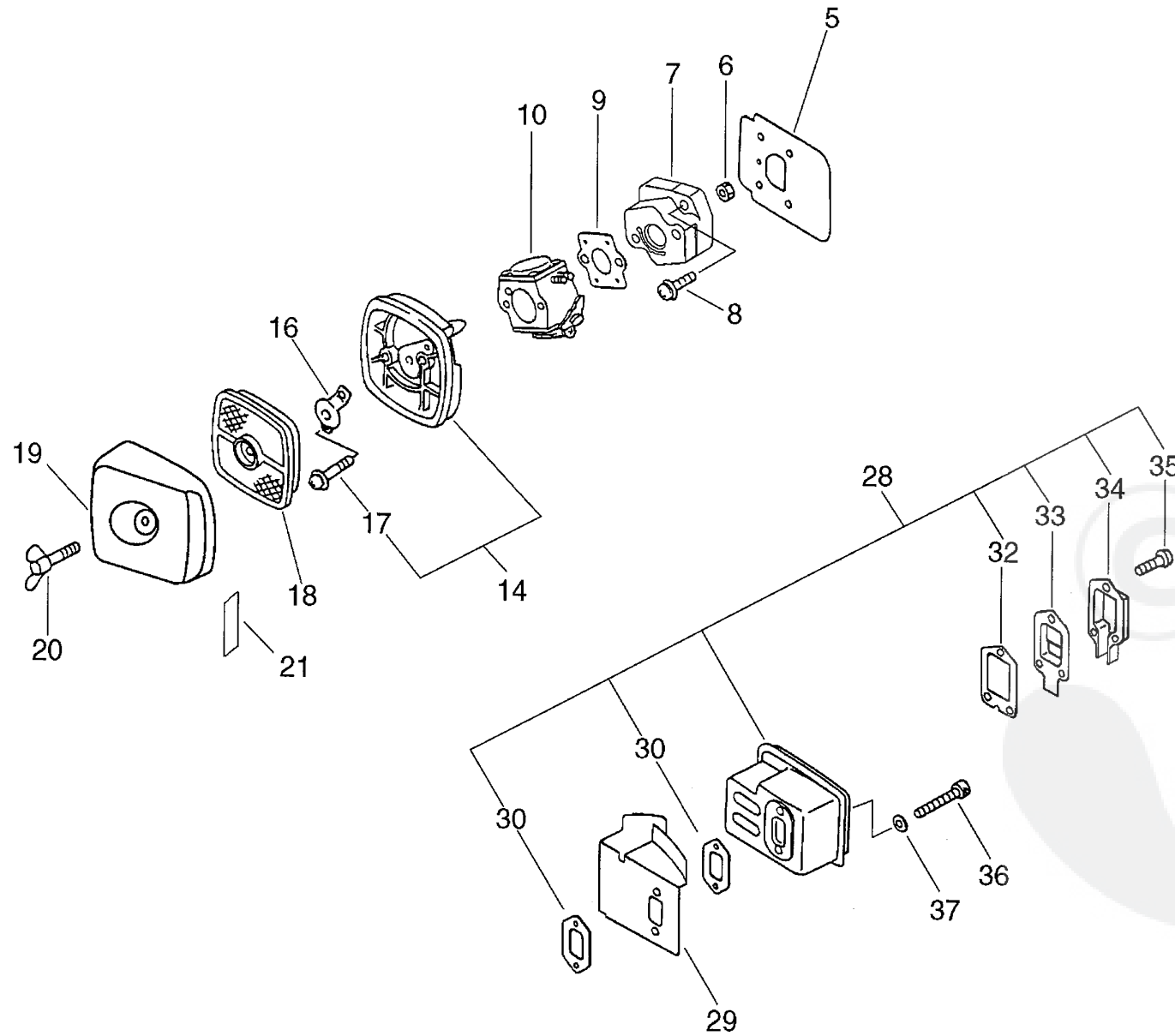
Key	Lv	Part Number	Q'ty	Description	Remarks	Note
5		900162-04016	4	BOLT, H.S. 4*16		
6		890112-25461	1	LABEL, MODEL	Sus. by X502-000330	
6		X502-000330	1	LABEL,ECHO		
7		177200-05363	1	STARTER ASSEMBLY	Sr/Nr 36005213 and after	
9 +		177220-42030	1	SPRING, REWIND		
10 +		177215-44430	1	DRUM, STARTER		
12 +		177236-44330	1	SCREW		
13 +		177226-05530	1	ROPE, STARTER		
14 +		177227-42030	1	GUIDE, ROPE		
15 +		177228-06530	1	GRIP, STARTER		
17		900605-00008	1	WASHER, SPRING 8		
18		177202-44331	1	PAWL ASM., STARTER		
19 +		177218-44330	1	PAWL, STARTER		
20 +		177234-42030	1	SPRING, RETURN		
23		156801-05360	1	ROTOR, MAGNETO		
24		900162-04022	2	BOLT, H.S. 4*22		
25		A411-000080	1	COIL,IGNITION		
26		162021-52830	1	LEAD		
27		156114-04920	1	GROMMET		
28		159017-12330	1	PLUG, SPARK (RCJ-8Y)		
29		159011-03432	1	COIL, SPARK PLUG		
30		159012-03433	1	CAP, SPARK PLUG		
31		156110-04920	1	BUSHING		
32		890617-07660	1	LABEL, CAUTION	Sus. by X503-008850	
32		X503-008850	1	LABEL,MODEL		
33		V475-001900	1	TUBE		
40		175014-05360	1	WASHER, CLUTCH		
41		175019-04920	1	PLATE, CLUTCH		

Parts List

Group:Hedge Trimmers Model:HCR-1500(6digits)(35)(36) Section:Starter, Magneto, Clutch(Sr/Nr 36005213 and after)(4)

Key	Lv	Part Number	Q'ty	Description	Remarks	Note
42		175000-06560	1	CLUTCH ASSY		
43	+	175018-05960	2	SPRING, CLUTCH		
44	+	175009-05131	2	SHOE, CLUTCH		
45	+	175016-04920	1	HUB, CLUTCH		
46		890123-13360	1	LABEL, CAUTION		
47		175055-05360	1	HOUSING, CLUTCH		
48		900162-04016	2	BOLT, H.S. 4*16		





P a r t s L i s t

Group:Hedge Trimmers Model:HCN-1500(6digits)(35)(36) Section:Air Cleaner, Muffler(Sr/Nr 36005212 and before)(5)

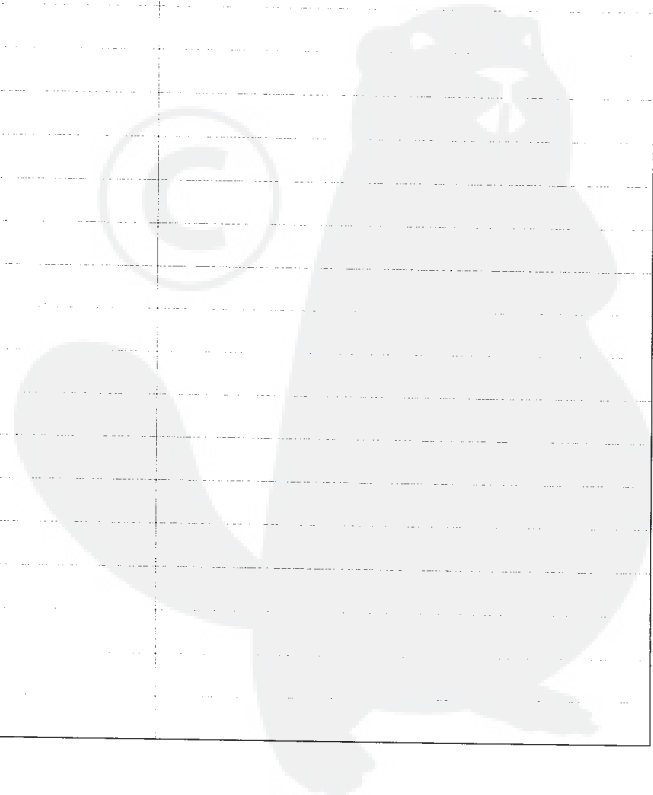
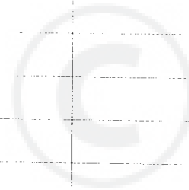
Key	Lv. Part Number	Q'ty	Description	Remarks	Note
5	130010-42032	1	GASKET, INTAKE		
6	900500-00005	2	NUT 5		
7	130017-42031	1	INSULATOR, INTAKE		
8	900238-05020	2	SCREW 5*20		
9	130016-42031	1	GASKET, INTAKE		
10	125200-05961	1	CARBURETOR C1U-K51	Sus. by 125200-05964	
10	125200-05962	1	CARBURETOR	Sus. by 125200-05964	
10	125200-05963	1	CARBURETOR	Sus. by 125200-05964	
10	125200-05964	1	CARBURETOR		
14	130307-06561	1	CASE, AIR CLEANER	Sus. by P021-002921	
14	P021-002921	1	CASE, AIR CLEANER	Sr/Nr 36005212 and before	
17 +	900242-05065	2	SCREW 5*65		
16	129011-52730	1	PLATE, PREVENT		
18	130310-54130	1	FILTER, AIR		
19	130313-06563	1	LID, AIR CLEANER	Sr/Nr 36005212 and before	
20	210417-52730	1	BOLT, WING		
21	890121-05360	1	LABEL, METERING		
29	145871-05360	1	COVER, MUFFLER		
28	145802-05360	1	MUFFLER ASY	Sus. by 145802-05361	
28	145802-05361	1	MUFFLER ASY		
30 +	145510-42031	2	GASKET, MUFFLER	Sus. by V104-000160	
30 +	145510-42032	2	GASKET, MUFFLER	Sus. by V104-000160	
30 +	V104-000160	2	GASKET, EXHAUST		
32 +	145866-42031	1	GASKET, MUFFLER LID		
33 +	145876-42030	1	LID, MUFFLER (B)		
34 +	145863-06560	1	GUIDE, EXHAUST	Sus. by A313-000010	
34 +	A313-000010	1	GUIDE, EXHAUST		
35 +	900242-04010	3	SCREW 4*10		

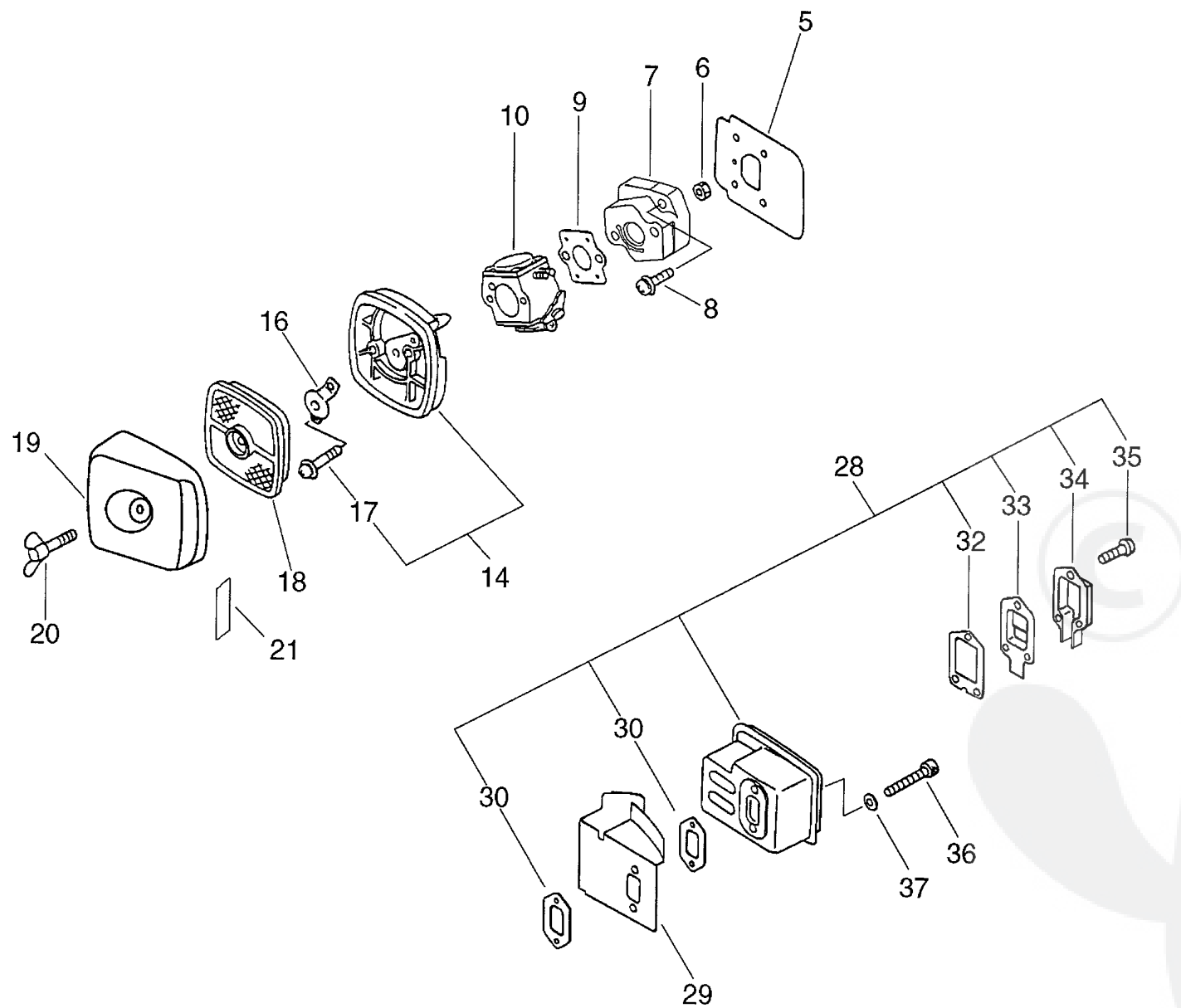
Parts List

Date:17/05/2010 Page: 2

Group:Hedge Trimmers Model:HCR-1500(6digits)(35)(36) Section:Air Cleaner, Muffler(Sr/Nr 36005212 and before)(5)

Key	Lv	Part Number	Q'ty	Description	Remarks	Note
36		900105-05050	2	BOLT, H.S. 5*50		
37		900600-00005	2	WASHER 5		

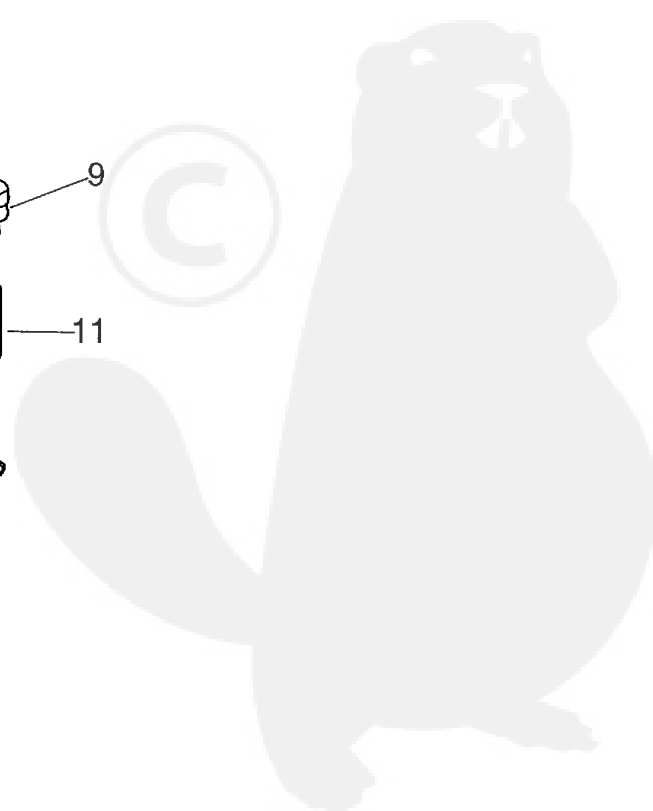
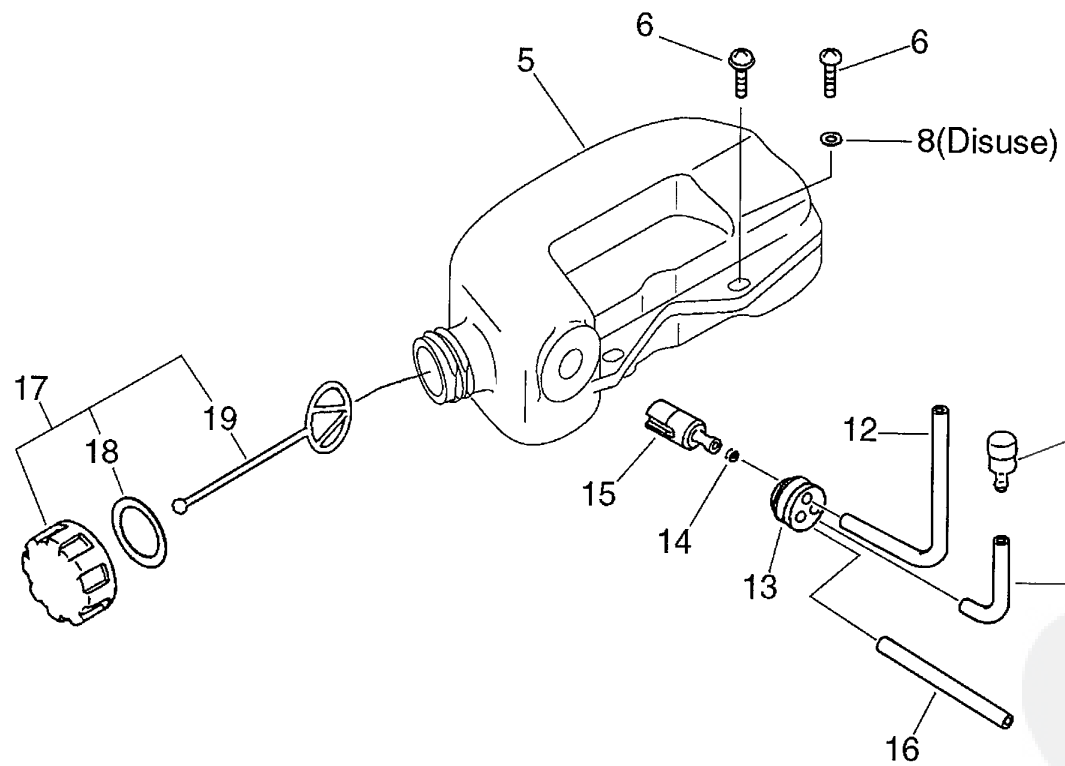




P a r t s L i s t

Group:Hedge Trimmers Model:HCR-1500(6digits)(35)(36) Section:Air Cleaner, Muffler(Sr/Nr 36005213 and after)(6)

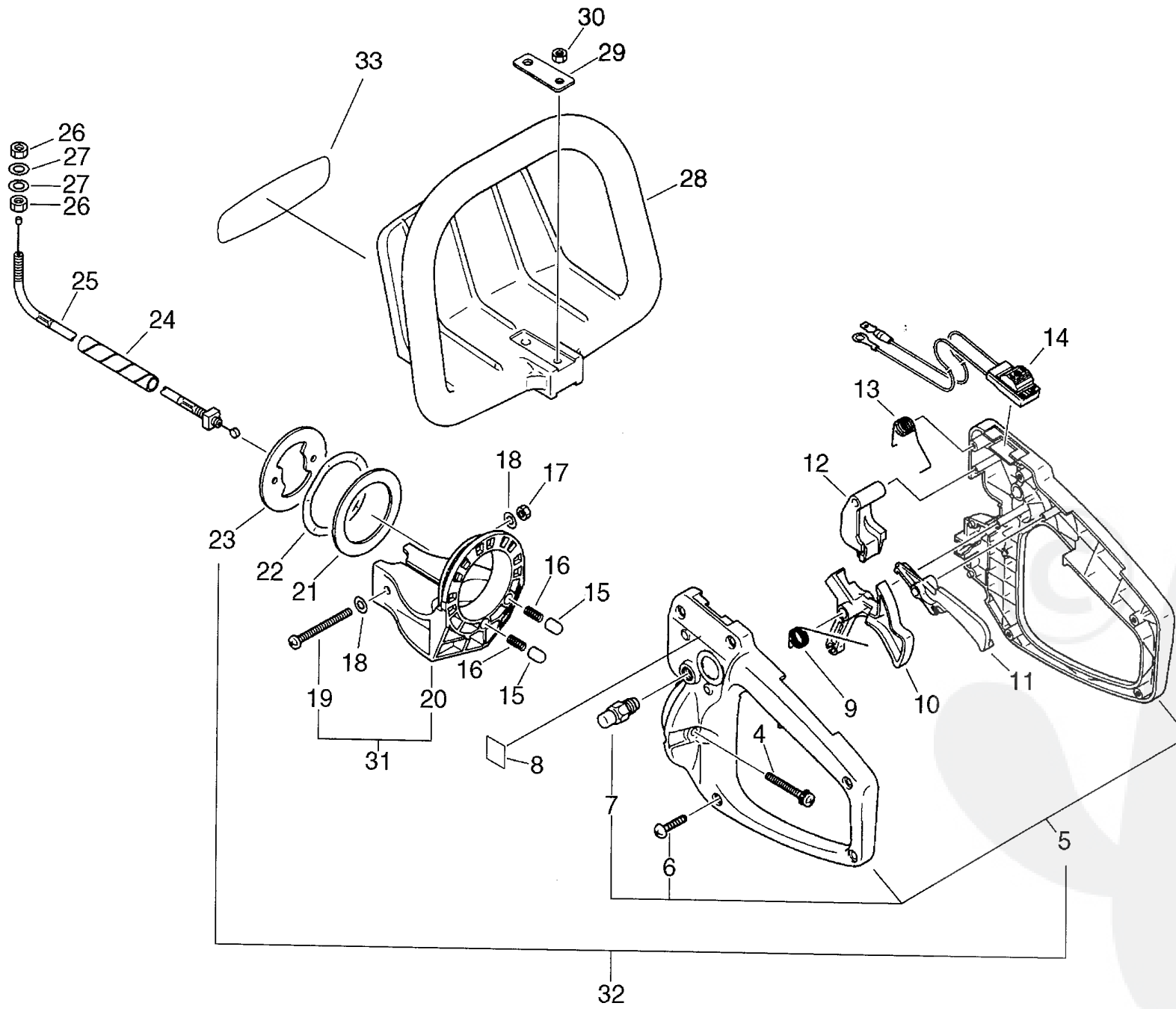
Key	Lv	Part Number	Q'ty	Description	Remarks	Note
5		130010-42032	1	GASKET, INTAKE		
6		900500-00005	2	NUT 5		
7		130017-42031	1	INSULATOR, INTAKE		
8		900238-05020	2	SCREW 5*20		
9		130016-42031	1	GASKET, INTAKE		
10		125200-05964	1	CARBURETOR		
14		P021-010350	1	CASE, CLEANER ASY	Sr/Nr 36005213 and after	
17	+	900242-05065	2	SCREW 5*65		
16		129011-52730	1	PLATE, PREVENT		
18		130310-54130	1	FILTER, AIR		
19		130313-05863	1	LID, AIR CLEANER	Sr/Nr 36005213 and after	
20		210417-52730	1	BOLT, WING		
21		890121-05360	1	LABEL, METERING		
29		145871-05360	1	COVER, MUFFLER		
28		145802-05361	1	MUFFLER ASY (SAM)		
30	+	V104-000160	2	GASKET, EXHAUST		
32	+	145866-42031	1	GASKET, MUFFLER LID		
33	+	145876-42030	1	LID, MUFFLER (B)		
34	+	A313-000010	1	GUIDE, EXH		
35	+	900242-04010	3	SCREW 4*10		
36		900105-05050	2	BOLT, H.S. 5*50		
37		900600-00005	2	WASHER 5		



P a r t s L i s t

Group:Hedge Trimmers Model:HCR-1500(6digits)(35)(36) Section:Fuel Tank(7)

Key	Lv	Part Number	Q'ty	Description	Remarks	Note
5		131005-05360	1	TANK, FUEL	Sus.by A350-000272	
5		131005-05361	1	TANK, FUEL	Sus.by A350-000272	
5		A350-000270	1	TANK, FUEL	Sus.by A350-000272	
5		A350-000271	1	TANK, FUEL	Sus.by A350-000272	
5		A350-000272	1	TANK, FUEL		
6		900238-05016	2	SCREW 5*16	Sus.by 900239-05016	
6		900239-05016	2	SCREW 5*16		
8		900603-00005	2	WASHER 5	Disuse	
9		131300-56430	1	VALVE, CHECK		
11		131312-39130	1	PIPE	Sus.by V471-001200	
11		131312-44330	1	PIPE	Sus.by V471-001200	
11		V471-001200	1	PIPE		
12		132010-07530	1	PIPE, FUEL	Sus.by V470-000580	
12		V470-000580	1	PIPE		
13		132115-46730	1	GROMMET, FUEL		
14		132013-09820	1	CLIP		
15		131205-07320	1	STRAINER, FUEL		
16		132010-06460	1	PIPE 3* 6*110		
17		131004-08960	1	CAP ASSY, FUEL		
18 +		131016-55830	1	GASKET, FUEL CAP		
19 +		131051-52430	1	CONNECTOR, CAP		



Parts List

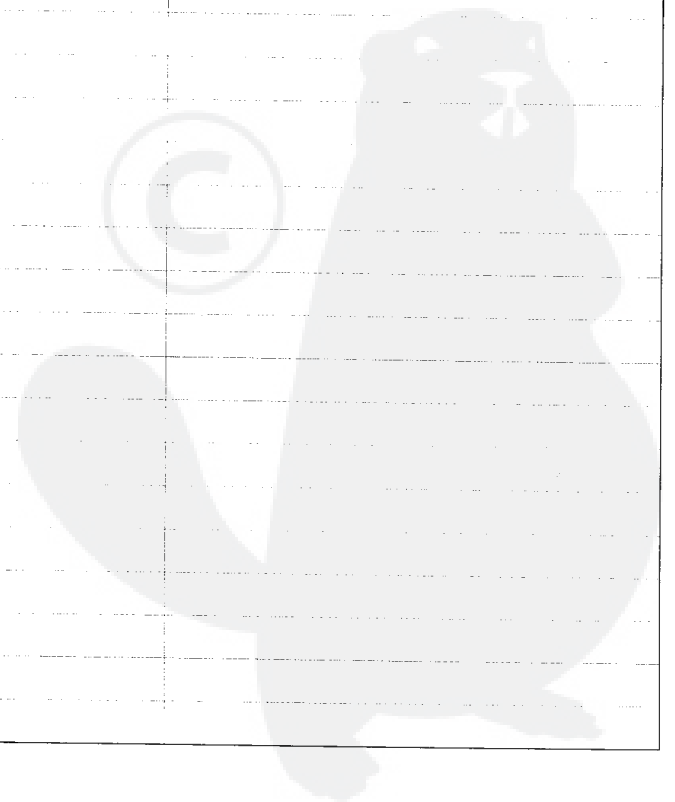
Group:Hedge Trimmers Model:HCR-1500(6digits)(35)(36) Section:Handle(Sr/Nr 36005212 and before)(8)

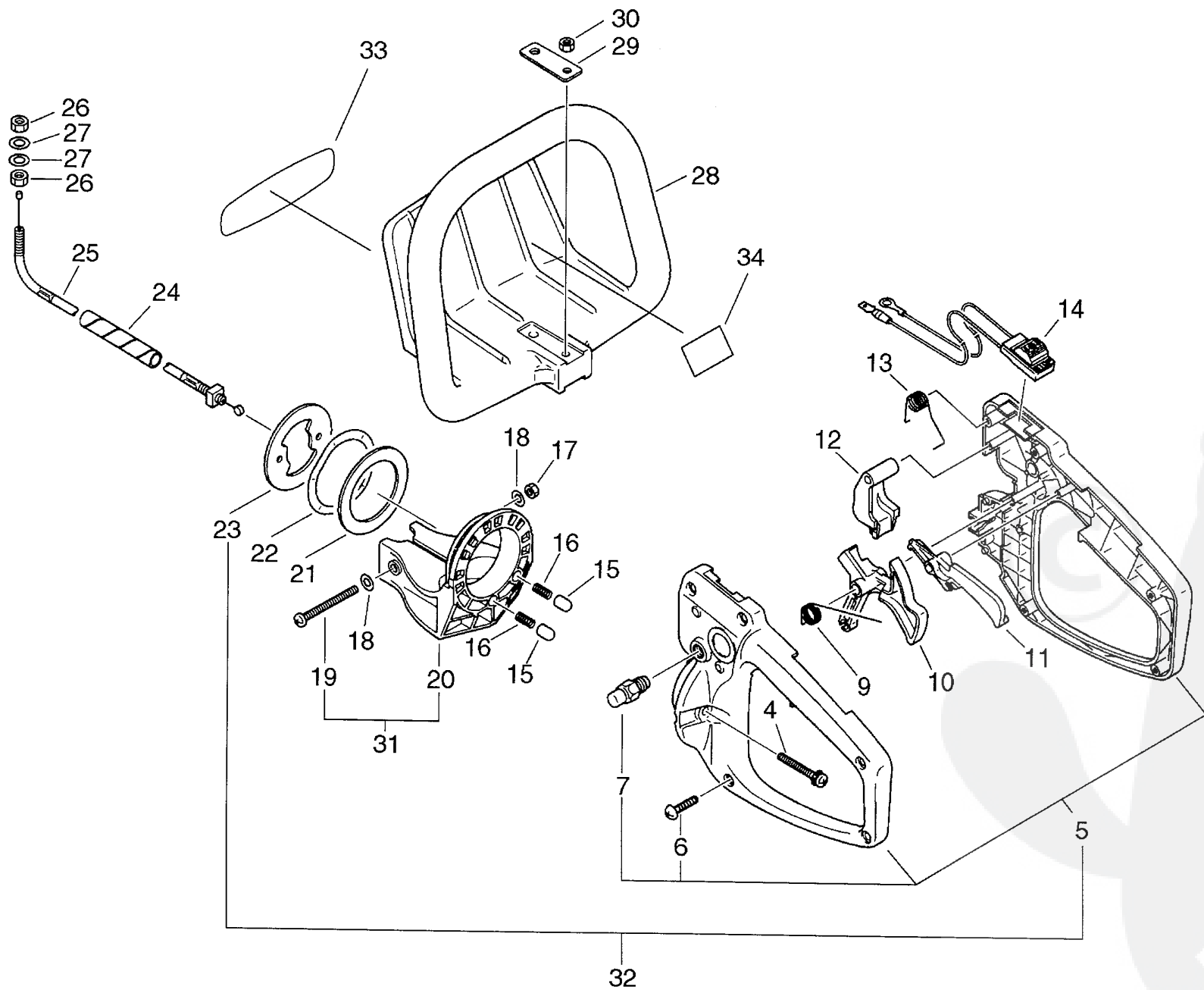
Key	Lv	Part Number	Q'ty	Description	Remarks	Note
4		900238-05030	2	SCREW 5*30		
5		351100-13360	1	HANDLE SET, REAR	Sus. by 351101-13360	
32		351101-13360	1	HANDLE SET, REAR		
5 +		351100-13361	1	HANDLE SET, REAR	Sr/Nr 002331 and after	
6 ++		900256-04016	5	SCREW 4*16		
7 ++		178302-13360	1	LATCH ASY		
23 +		351313-13361	1	BRACKET, HANDLE		
8		890157-06560	1	LABEL, SWITCH	Sus. by 890157-39130	
8		890157-39130	1	LABEL, SWITCH	Disuse	
9		178013-13660	1	SPRING, TORSION		
10		178010-13360	1	TRIGGER, THROTTLE	Sus. by 178010-13361	
10		178010-13361	1	TRIGGER, THROTTLE		
11		178012-13360	1	LOCKOUT, THROTTLE		
12		351648-13360	1	STOPPER, HANDLE		
13		178043-13660	1	SPRING, TORSION		
14		163400-13360	1	SWITCH, ON OFF		
15		605611-13360	2	PIN		
16		178043-13360	2	SPRING		
17		900560-00005	2	NUT, LOCK		
18		900602-00005	4	WASHER 5	Sus. by 900600-00005	
18		900600-00005	4	WASHER 5		
19		900220-05042	2	SCREW 5*42	Sr/Nr 002330 and before	
20		351312-13360	1	FIXTURE, HANDLE	Sus. by 351312-13360	
31		351308-13360	1	FIXTURE, HANDLE		
19 +		900220-05045	2	SCREW 5*45	Sr/Nr 002331 and after	
20 +		351312-13361	1	BRACKET, HANDLE	Sr/Nr 002331 and after	
21		689025-13360	1	SHIM	Sus. by 689025-13361	
21		689025-13361	1	WASHER, CIRCUAR		

P a r t s L i s t

Group:Hedge Trimmers Model:HCR-1500(6digits)(35)(36) Section:Handle(Sr/Nr 36005212 and before) (8)

Key	Lv	Part Number	Q'ty	Description	Remarks	Note
22		178129-13360	1	WASHER	Sus. by 178129-13361	
22		178129-13361	1	WASHER		
23		351313-13360	1	FIXTURE, HANDLE	Sus. by 351313-13361	
24		178127-13360	1	TUBE	Sus. by 178127-13361	
24		178127-13361	1	TUBE		
25		178001-13360	1	CABLE, THROTTLE		
26		900502-00006	2	NUT 6 (3N)		
27		900600-00006	2	WASHER 6		
28		351610-05360	1	HANDLE, FRONT		
29		351611-05360	1	WASHER		
30		900560-00005	1	NUT, LOCK		
33		X502-000260	1	LABEL, ECHO	Sus. by X502-000430	





P a r t s L i s t

Date:17/05/2010 Page: 1

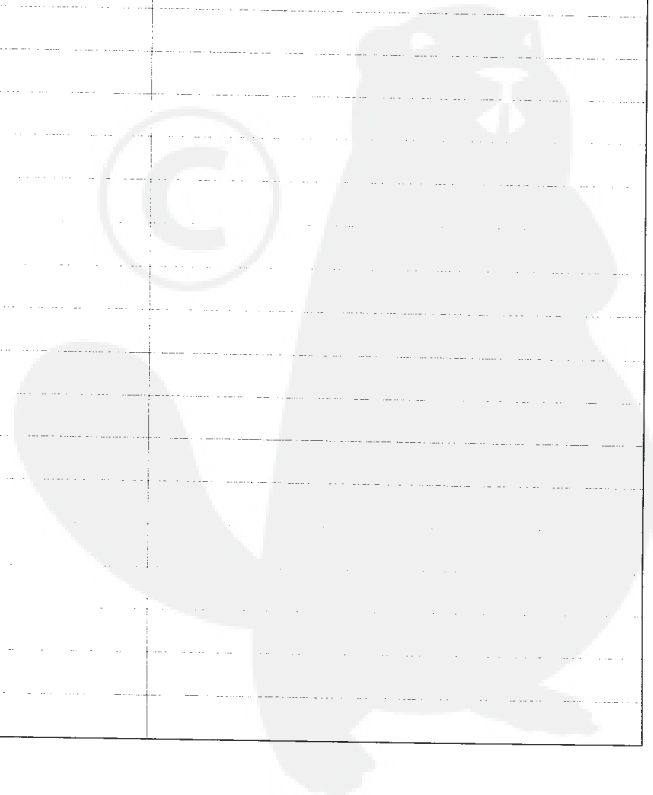
Group:Hedge Trimmers Model:HCR-1500(6digits)(35)(36) Section:Handle(Sr/Nr 36005213 and after)(9)

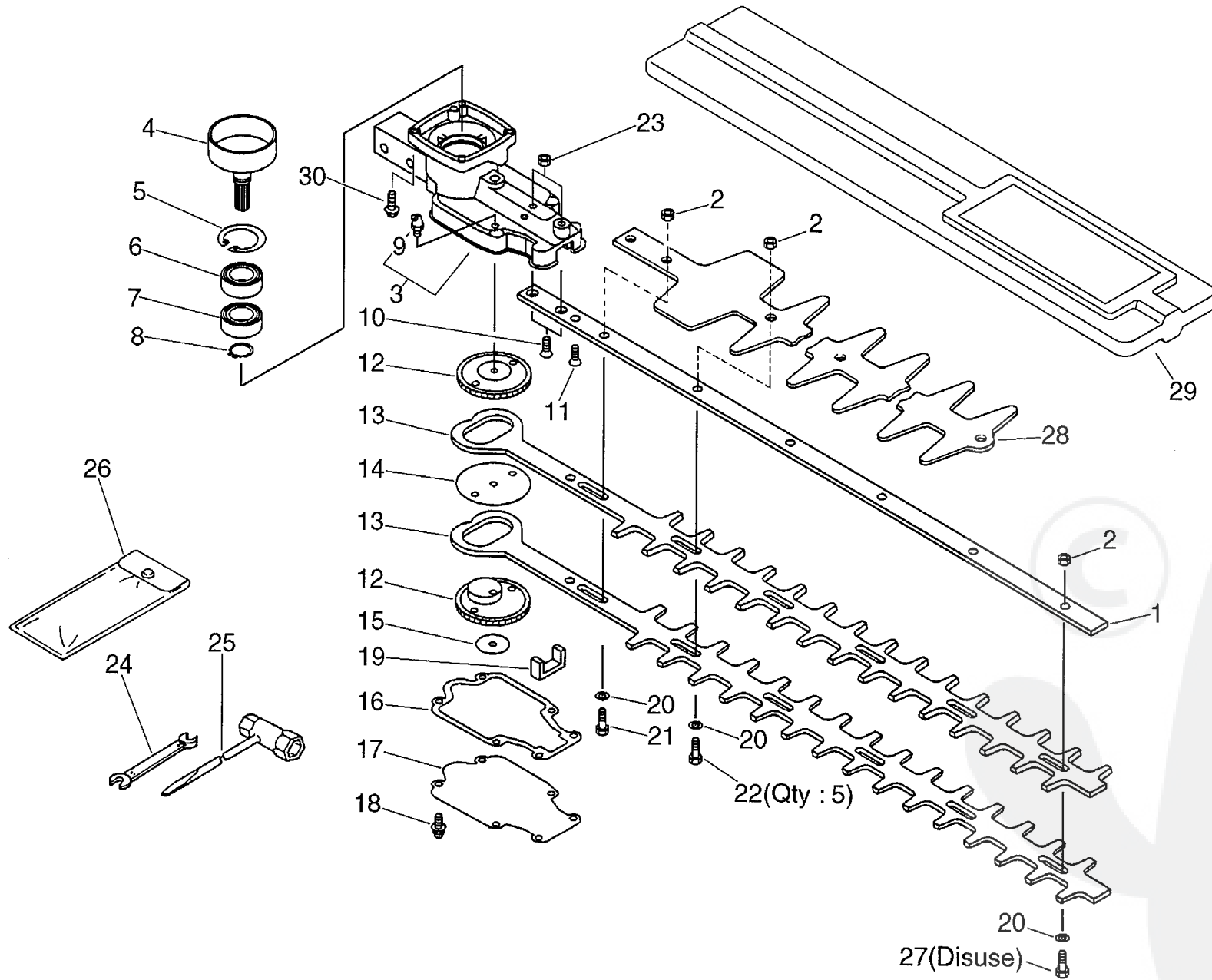
Key	Lv	Part Number	Q'ty	Description	Remarks	Note
4		900238-05030	2	SCREW 5*30		
32		351101-13360	1	HANDLE SET, REAR		
5 +		351100-13361	1	HANDLE SET, REAR		
6 ++		900256-04016	5	SCREW 4*16		
7 ++		178302-13360	1	LATCH ASY		
23 +		351313-13361	1	BRACKET, HANDLE		
9		178013-13660	1	SPRING, TORSION		
10		178010-13361	1	TRIGGER, THROTTLE		
11		178012-13360	1	LOCKOUT, THROTTLE		
12		351648-13360	1	STOPPER, HANDLE		
13		178043-13660	1	SPRING, TORSION		
14		163400-13360	1	SWITCH, ON OFF		
15		605611-13360	2	PIN		
16		178043-13360	2	SPRING		
17		900560-00005	2	NUT, LOCK 5		
18		900600-00005	4	WASHER 5		
31		351308-13360	1	FIXTURE, HANDLE		
19 +		900220-05045	2	SCREW 5*45		
20 +		351312-13361	1	BRACKET, HANDLE		
21		689025-13361	1	WASHER, CIRCUAR		
22		178129-13361	1	WASHER		
24		178127-13361	1	TUBE		
25		178001-13360	1	CABLE, THROTTLE		
26		900502-00006	2	NUT 6 (3N)		
27		900600-00006	2	WASHER 6		
28		351610-05360	1	HANDLE, FRONT		
29		351611-05360	1	WASHER		
30		900560-00005	1	NUT, LOCK 5		

Parts List

Group:Hedge Trimmers Model:HCR-1500(6digits)(35)(36) Section:Handle(Sr/Nr 36005213 and after)(9)

Key	Lv	Part Number	Q'ty	Description	Remarks	Note
33		X502-000260	1	LABEL, ECHO	Sus. By X502-000430	
33		X502-000430	1	LABEL, ECHO		
34		X505-002030	1	LABEL, CAUTION		





P a r t s L i s t

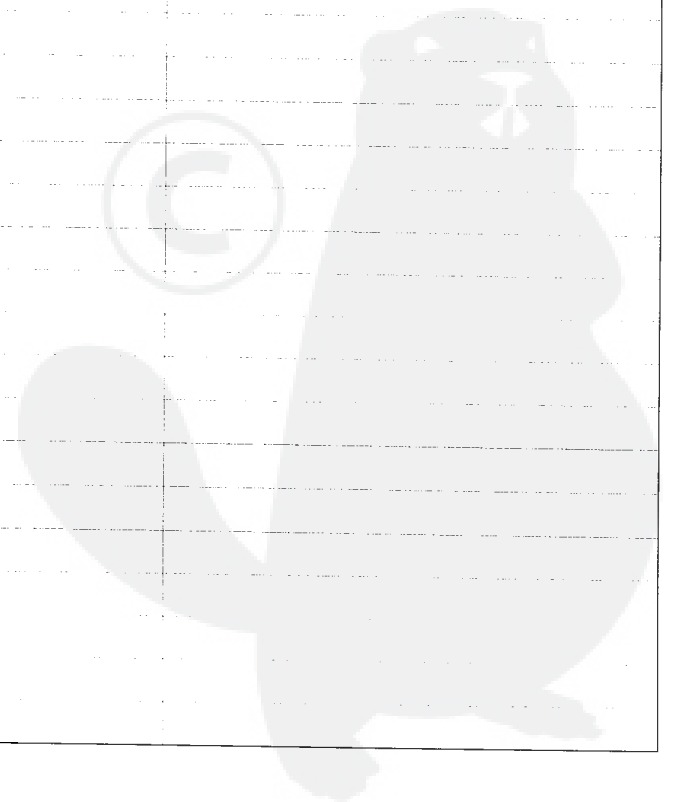
Group:Hedge Trimmers Model:HCR-1500(6digits)(35)(36) Section:Gear Case, Cutter, Tools (Sr/Nr 015205 and before)(10)

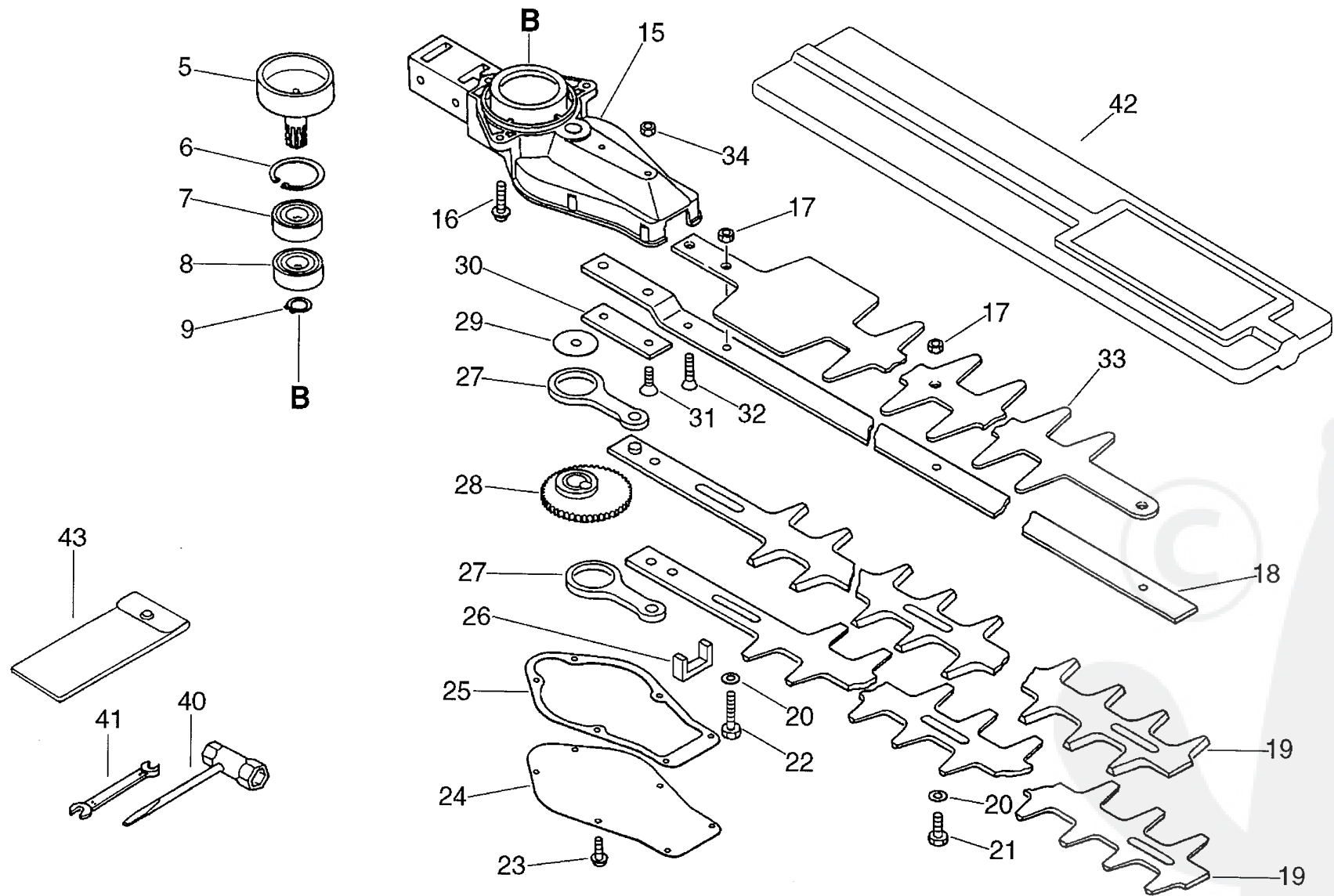
Key	Lv	Part Number	Q'ty	Description	Remarks	Note
1		699117-06560	1	SUPPORT, CUTTER	Sus. by X425-000010	
1		X425-000010	1	SUPPORT, CUTTER		
2		433022-06460	6	NUT		
3		610407-06560	1	CASE, GEAR		
9 +		880110-54230	1	NIPPLE, GREASE		
4		175005-06560	1	DRUM, CLUTCH		
5		900702-00035	1	CIRCLIP 35		
6		900872-36202	1	BEARING, BALL 6202		
7		900870-36202	1	BEARING, BALL 6202		
8		900701-00014	1	CIRCLIP 14		
10		900212-06030	2	SCREW		
11		900212-05030	1	SCREW (5*30*P0.8)		
12		610312-06560	2	GEAR, SPUR	Sus. by V650-000080	
12		V650-000080	2	GEAR, SPUR		
13		697010-06560	2	CUTTER	Sus. by X411-000270	
13		X411-000020	2	CUTTER	Sus. by X411-000270	
13		X411-000270	2	CUTTER		
14		689025-05360	1	WASHER 6.7*54*0.38		
15		689025-06560	1	WASHER 6.5*30*0.2		
16		610414-06560	1	GASKET, GEAR HOUSING		
17		610411-06560	1	LID, GEARCASE		
18		900162-04012	6	BOLT, H.S. 4*12		
19		610426-06560	1	SEAL		
20		699118-04560	6	WASHER		
21		699115-06560	1	BOLT, CUTTER		
22		699115-04660	4	BOLT 6	Sus. by Qty5	
22		699115-04660	5	BOLT 6		
23		900500-00006	2	NUT 6		

P a r t s L i s t

Group:Hedge Trimmers Model:HCR-1500(6digits)(35)(36) Section:Gear Case, Cutter, Tools (Sr/Nr 015205 and before)(10)

Key	Lv	Part Number	Q'ty	Description	Remarks	Note
24		895112-00330	1	SPANNER 8*10		
25		895410-00430	1	WRENCH, W/S. DRIVER		
26		898510-39130	1	BAG, TOOL		
27		699113-06560	1	BOLT 6	Disuse	
28		699125-05360	1	BLUNT	Sus. by X431-000000	
28		X431-000000	1	BLUNT		
29		898523-06960	1	SCABBARD, BLADE	Sus. by X495-000051	
29		X495-000051	1	SCABBARD, BLADE		
30		900162-04016	2	BOLT, H.S. 4*16		





P a r t s L i s t

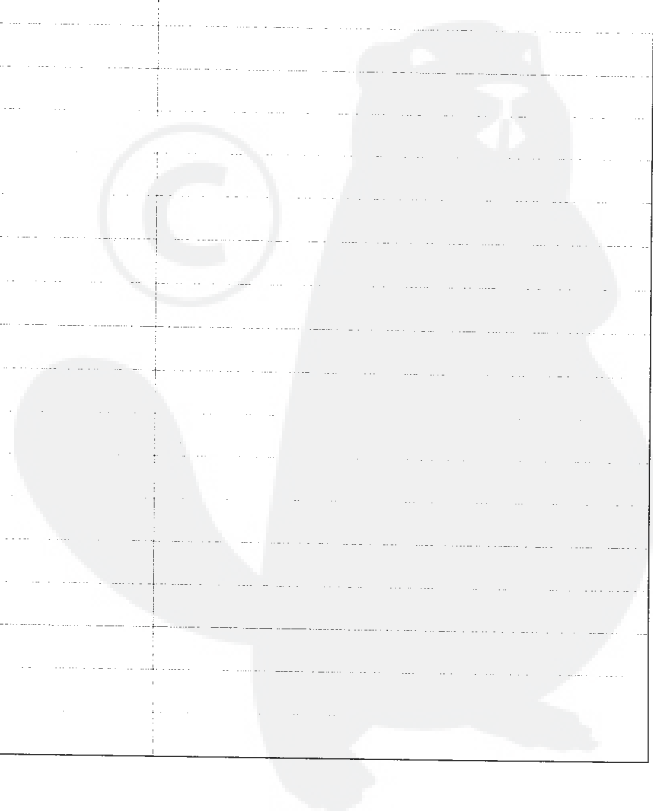
Group:Hedge Trimmers Model: HCR-1500(6digits)(35)(36) Section: Gear Case, Cutter, Tools (Sr/Nr 015206 and after) (11)

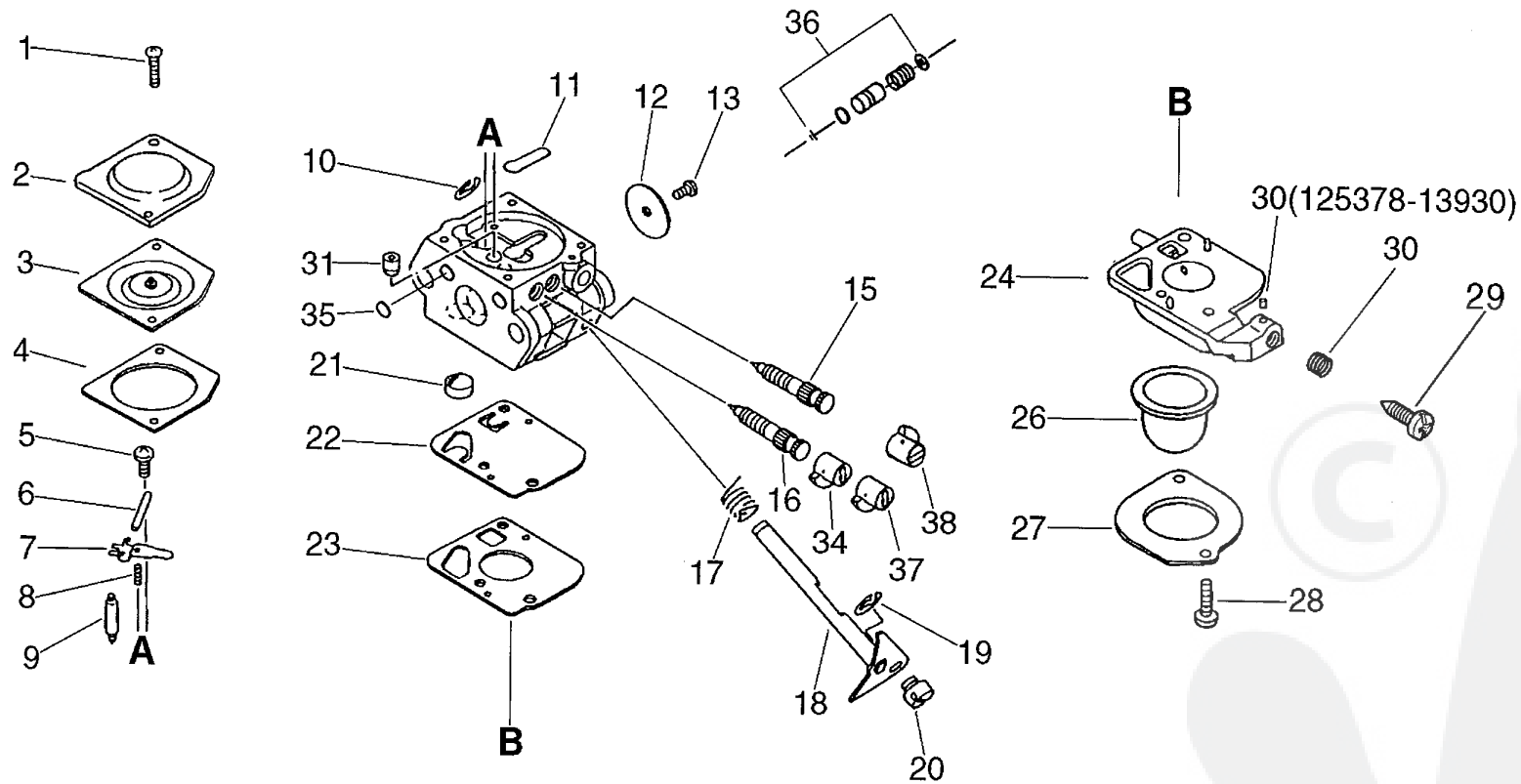
Key	Lv	Part Number	Q'ty	Description	Remarks	Note
		610403-06961	1	CASE ASY, GEAR	Sus. by P021-009370	
		P021-009370	1	CASE ASY, GEAR		
5	+	175005-04560	1	DRUM, CLUTCH		
6	+	900702-00035	1	CIRCLIP 35		
7	+	900813-36202	1	BEARING, BALL 6202		
8	+	900810-36202	1	BEARING, BALL 6202		
9	+	900701-00014	1	CIRCLIP 14		
15	+	610407-05360	1	CASE, GEAR		
16	+	900162-05020	3	BOLT, H.S. 5*20		
17	+	433022-06460	4	NUT		
18	+	699110-06960	1	BAR, FRAME		
19	+	X411-000050	2	CUTTER	Sus. by X411-000280	
19	+	X411-000280	2	CUTTER		
20	+	699118-04560	4	WASHER		
21	+	699115-04660	3	BOLT 6		
22	+	699115-05360	1	BOLT		
23	+	900162-04010	6	BOLT, H.S. 4*10		
24	+	610411-05361	1	LID, GEARCASE		
25	+	610414-05360	1	GASKET, GEAR HOUSING		
26	+	610425-04560	1	SEAL		
27	+	610330-04560	2	ROD, CONNECTING	Sus. by C532-000120	
27	+	610330-04561	2	ROD, CONNECTING	Sus. by C532-000120	
27	+	C532-000120	2	ROD, CONNECTING		
28	+	610312-04560	1	GEAR		
29	+	610350-04560	1	WASHER		
30	+	610440-04560	1	HOLDER, FRAME		
31	+	900212-06025	2	SCREW 6*25		
32	+	900212-05030	1	SCREW (5*30*P0.8)		

P a r t s L i s t

Group:Hedge Trimmers Model:HCR-1500(6digits)(35)(36) Section:Gear Case, Cutter, Tools (Sr/Nr 015206 and after)(11)

Key	Lv	Part Number	Q'ty	Description	Remarks	Note
33	+	699125-06560	1	BLUNT		
34	+	900500-00006	2	NUT 6		
40		895410-00430	1	WRENCH, W/S. DRIVER	Sus. by 895410-03930	
41		895112-00330	1	SPANNER 8*10		
42		898523-06960	1	SCABBARD, BLADE	Sus. by X495-000051	
42		X495-000051	1	SCABBARD, BLADE		
43		898510-39130	1	BAG, TOOL		





P a r t s L i s t

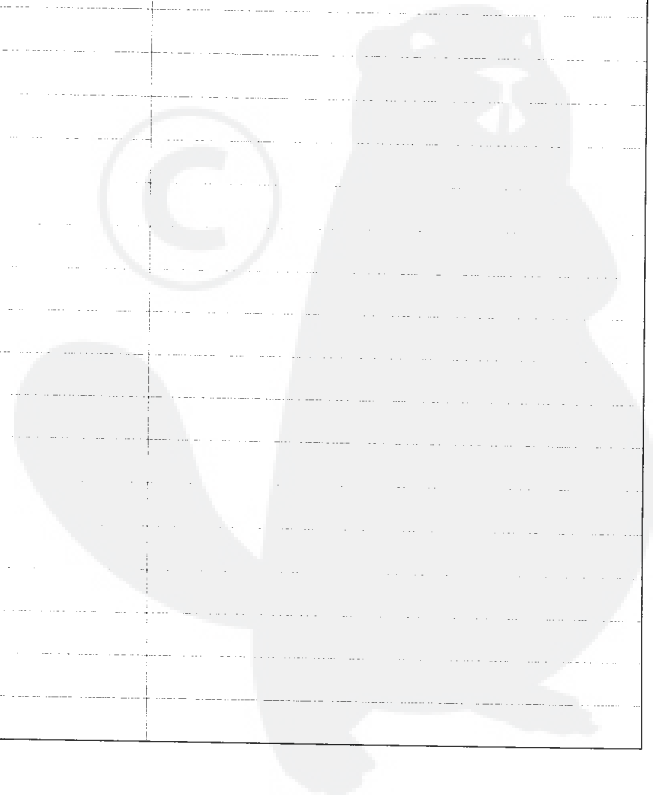
Group:Hedge Trimmers Model:HCR-1500(6digits)(35)(36) Section:Carburetor(Sr/Nr 36005212 and before)(12)

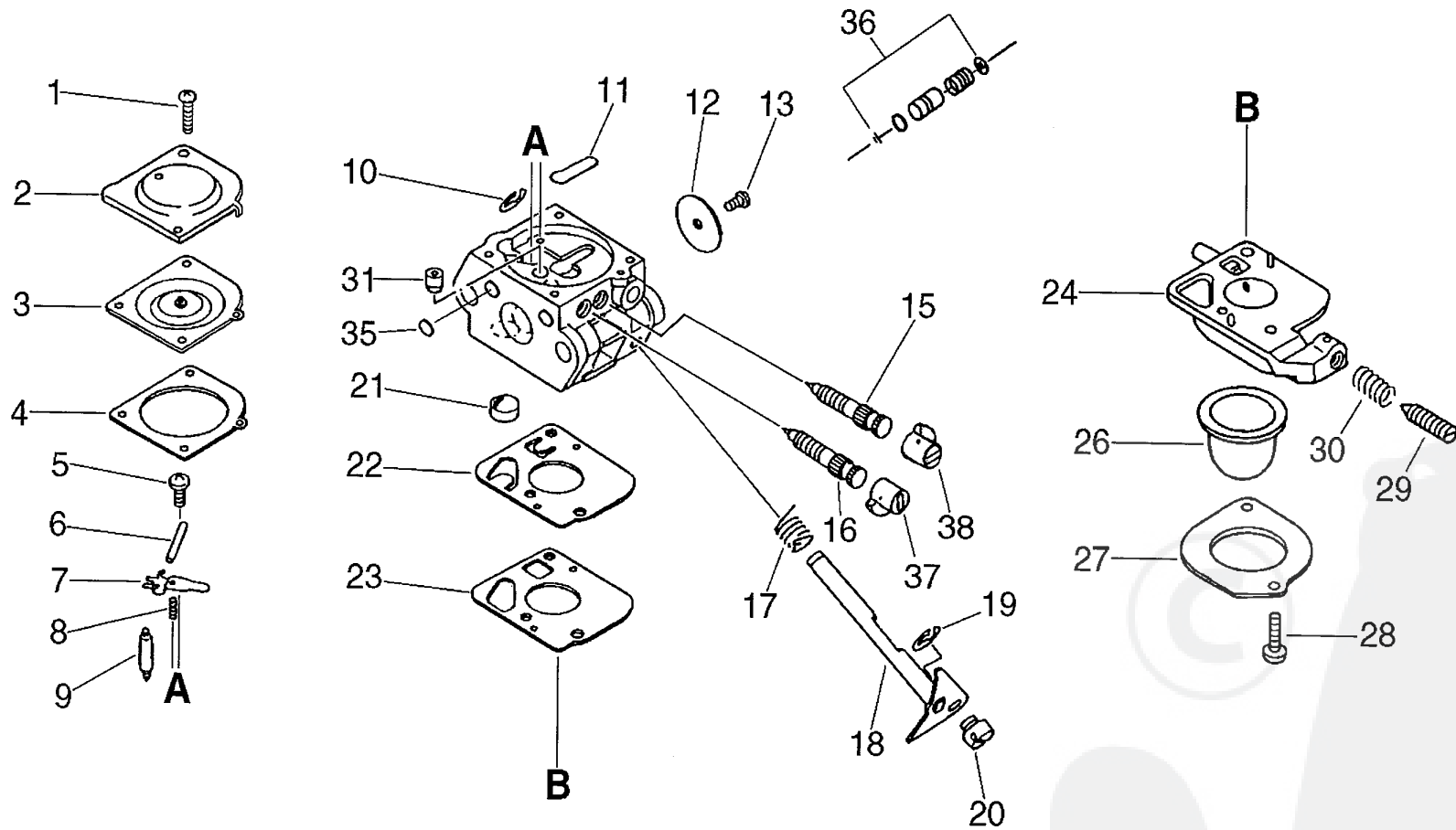
Key	Lv	Part Number	Q'ty	Description	Remarks	Note
		125200-05961	1	CARBURETOR C1U-K51	Sus. by 125200-05964	
		125200-05962	1	CARBURETOR	Sus. by 125200-05964	
		125200-05963	1	CARBURETOR	Sus. by 125200-05964	
		125200-05964	1	CARBURETOR		
1 +		125344-52130	2	SCREW		
2 +		125342-13210	1	COVER, DIAPHRAGM	Sus. by 125342-52130	
2 +		125342-52130	1	COVER, DIAPHRAGM		
3 +		125341-49030	1	DIAPHRAGM		
4 +		125340-51030	1	GASKET, DIAPHRAGM		
5 +		125339-42030	1	SCREW		
6 +		125338-13930	1	PIN, METERING ARM		
7 +		125323-42030	1	LEVER, METERING		
8 +		125322-42030	1	SPRING, COIL		
9 +		125337-06960	1	VALVE, INLET NEEDLE		
10 +		125327-15130	1	CLIP		
11 +		125345-15130	1	PLUG, WELCH		
12 +		125316-49030	1	VALVE, THROTTLE		
13 +		125314-13930	1	SCREW		
15 +		125318-13120	1	SCREW, IDLE NEEDLE		
16 +		125320-13310	1	NEEDLE, HIGH SPEED		
17 +		125313-42030	1	SPRING, THRT. RETURN		
18 +		125317-13310	1	SHAFT, THROTTLE		
19 +		125327-13930	1	CLIP		
20 +		125372-42030	1	SWIVEL		
21 +		125326-42030	1	STRAINER		
22 +		125312-12820	1	DIAPHRAGM, FUEL PUMP		
23 +		125325-13310	1	GASKET, PUMP		
24 +		125383-13310	1	BASE, PRIMER		

P a r t s L i s t

Group:Hedge Trimmers Model:HCR-1500(6digits)(35)(36) Section:Carburetor(Sr/Nr 36005212 and before)(12)

Key	Lv	Part Number	Q'ty	Description	Remarks	Note
26	+	125381-08660	1	PUMP, PRIMING		
27	+	125363-11610	1	RING		
28	+	125310-11610	2	SCREW		
29	+	125334-13930	1	SCREW, IDLE ADJUST	Sr/Nr 003527 and before	
29	+	125334-06960	1	SCREW, THROTTLEADJUST	Sr/Nr 003528 and after	
30	+	125378-13930	1	PIECE, FRICTION	Sr/Nr 003527 and before	
30	+	125333-06960	1	SPRING, IDLE ADJUSTER	Sr/Nr 003528 and after	
31	+	125376-13120	1	NOZZLE, CHECK VALVE		
34	+	125329-39030	1	LIMITER, MIXTURE	Sr/Nr 35999999 and before	
35	+	125345-13310	1	PLUG, WELCH		
36	+	125306-13120	1	PUMP KIT, ACC.	Sus. by P005-002020	
37		A259-000030	1	CAP, LIMITER	Sr/Nr 36001001 and after	
38		125329-09860	1	LIMITER, MIXTURE	Sr/Nr 36001001 and after	
		125303-13310	1	DIAPHRAGM/GASKET KIT		
		125300-13310	1	REBUILD KIT		





P a r t s L i s t

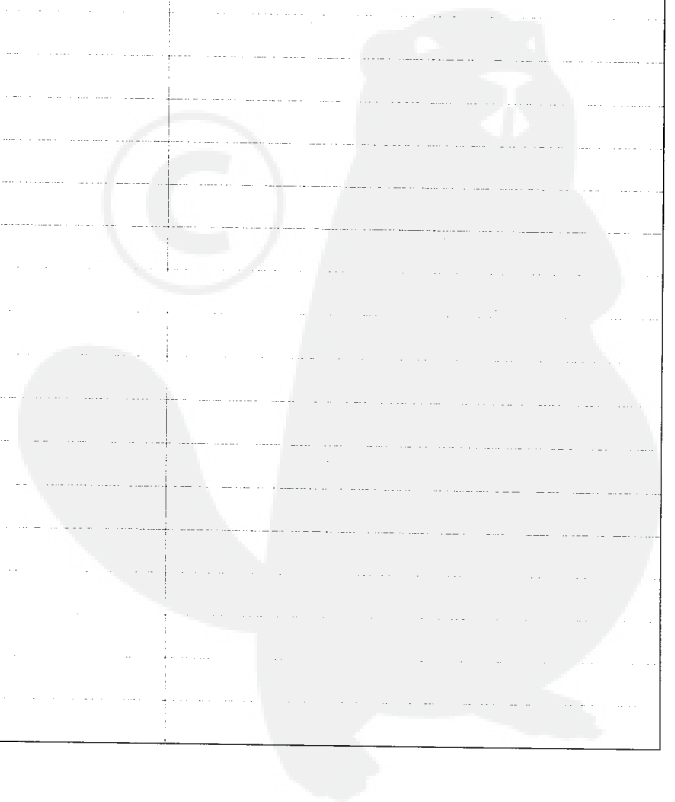
Group:Hedge Trimmers Model:HCR-1500(6digits)(35)(36) Section:Carburetor(Sr/Nr 36005213 and after)(13)

Key	Lv	Part Number	Q'ty	Description	Remarks	Note
		125200-05964	1	CARBURETOR		
1	+	125344-52130	2	SCREW		
2	+	125342-52130	1	COVER, DIAPHRAGM		
3	+	125341-49030	1	DIAPHRAGM		
4	+	125340-51030	1	GASKET, DIAPHRAGM		
5	+	125339-42030	1	SCREW		
6	+	125338-13930	1	PIN, METERING ARM		
7	+	125323-42030	1	LEVER, METERING		
8	+	125322-42030	1	SPRING, COIL		
9	+	125337-06960	1	VALVE, INLET NEEDLE		
10	+	125327-15130	1	CLIP		
11	+	125345-15130	1	PLUG, WELCH		
12	+	125316-49030	1	VALVE, THROTTLE		
13	+	125314-13930	1	SCREW		
15	+	125318-13120	1	SCREW, IDLE NEEDLE		
16	+	125320-13310	1	NEEDLE, HIGH SPEED		
17	+	125313-42030	1	SPRING, THRT. RETURN		
18	+	125317-13310	1	SHAFT, THROTTLE		
19	+	125327-13930	1	CLIP		
20	+	125372-42030	1	SWIVEL		
21	+	125326-42030	1	STRAINER		
22	+	125312-12820	1	DIAPHRAGM, FUEL PUMP		
23	+	125325-13310	1	GASKET, PUMP		
24	+	P005-000590	1	BASE,ASY PRIMER		
26	+	125381-08660	1	PUMP, PRIMING		
27	+	125363-11610	1	RING		
28	+	125310-11610	2	SCREW		
29	+	125334-06960	1	SCREW, THROTTLEADJUST		

Parts List

Group:Hedge Trimmers Model:HCR-1500(6digits)(35)(36) Section:Carburetor(Sr/Nr 36005213 and after)(13)

Key	Lv	Part Number	Q'ty	Description	Remarks	Note
30	+	125333-06960	1	SPRING, IDLE ADJUSTER		
31	+	125376-13120	1	NOZZLE, CHECK VALVE		
35	+	125345-13310	1	PLUG, WELCH		
36	+	125306-13120	1	PUMP KIT, ACC.	Sus. by P005-002020	
36	+	P005-002020	1	PUMP KIT, ACC		
37		A259-000030	1	CAP, LIMITER		
38		125329-09860	1	LIMITER, MIXTURE		



Parts List

Group:Hedge Trimmers Model:HCR-1500(6digits)(35)(36) Section:Repair Kit(14)

Key	Lv	Part Number	Q'ty	Description	Remarks	Note
		125303-13310	1	DIAPHRAGM/GASKET KIT		
7-3	+	125341-49030	1	DIAPHRAGM		
7-4	+	125340-51030	1	GASKET, DIAPHRAGM		
7-22	+	125312-12820	1	DIAPHRAGM, FUEL PUMP		
7-23	+	125325-13310	1	GASKET, PUMP		
		125300-13310	1	REBUILD KIT		
7-3	+	125341-49030	1	DIAPHRAGM		
7-4	+	125340-51030	1	GASKET, DIAPHRAGM		
7-6	+	125338-13930	1	PIN, METERING ARM		
7-7	+	125323-42030	1	LEVER, METERING		
7-8	+	125322-42030	1	SPRING, COIL		
7-9	+	125337-06960	1	VALVE, INLET NEEDLE		
7-11	+	125345-15130	1	PLUG, WELCH		
7-21	+	125326-42030	1	STRAINER		
7-22	+	125312-12820	1	DIAPHRAGM, FUEL PUMP		
7-23	+	125325-13310	1	GASKET, PUMP		

