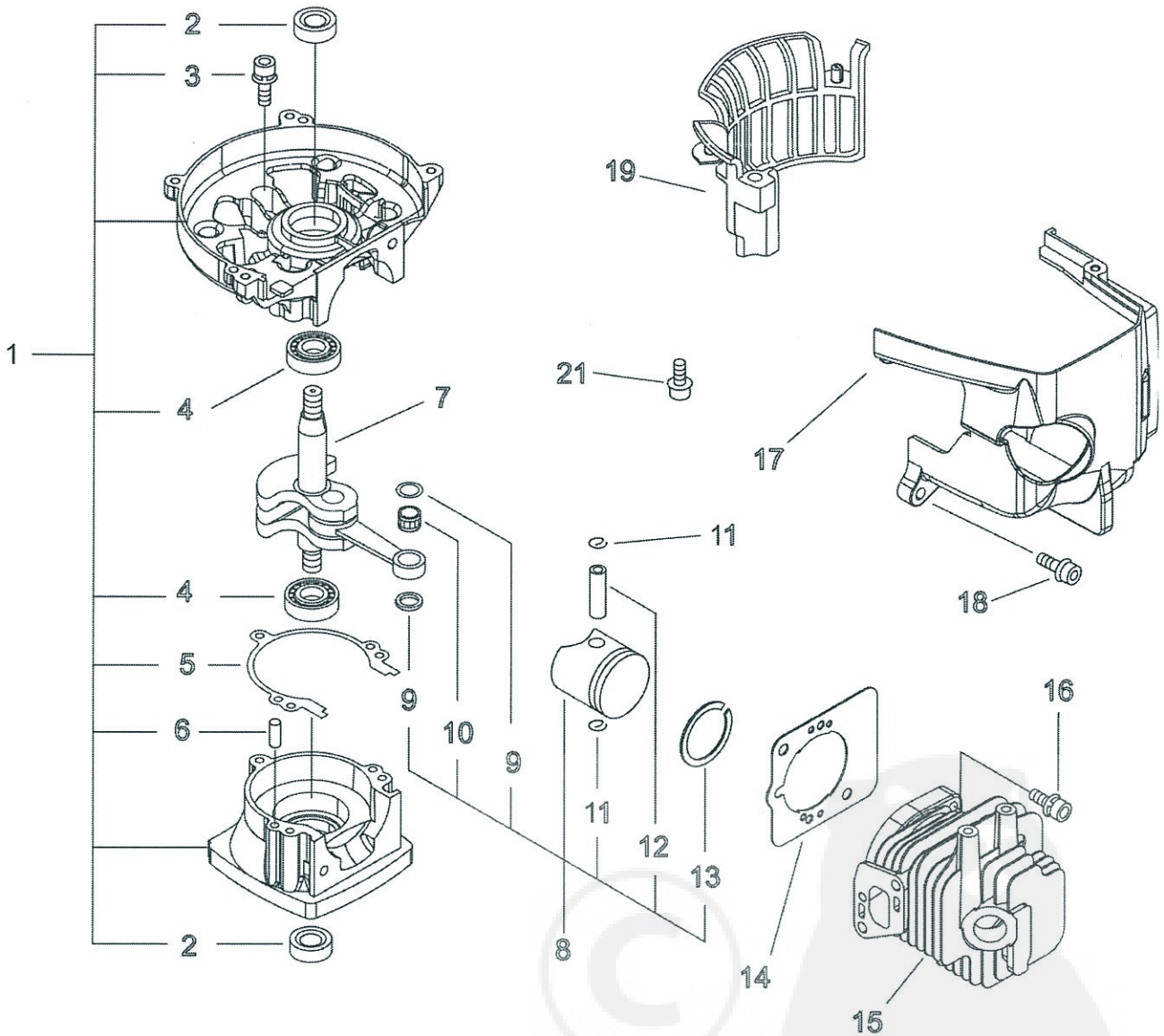
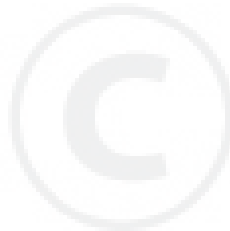


HCR-171ES(36), 36011796-, CYLINDER, CRANKCASE, PISTON
P014-000050-12Hb, 2011/08/30

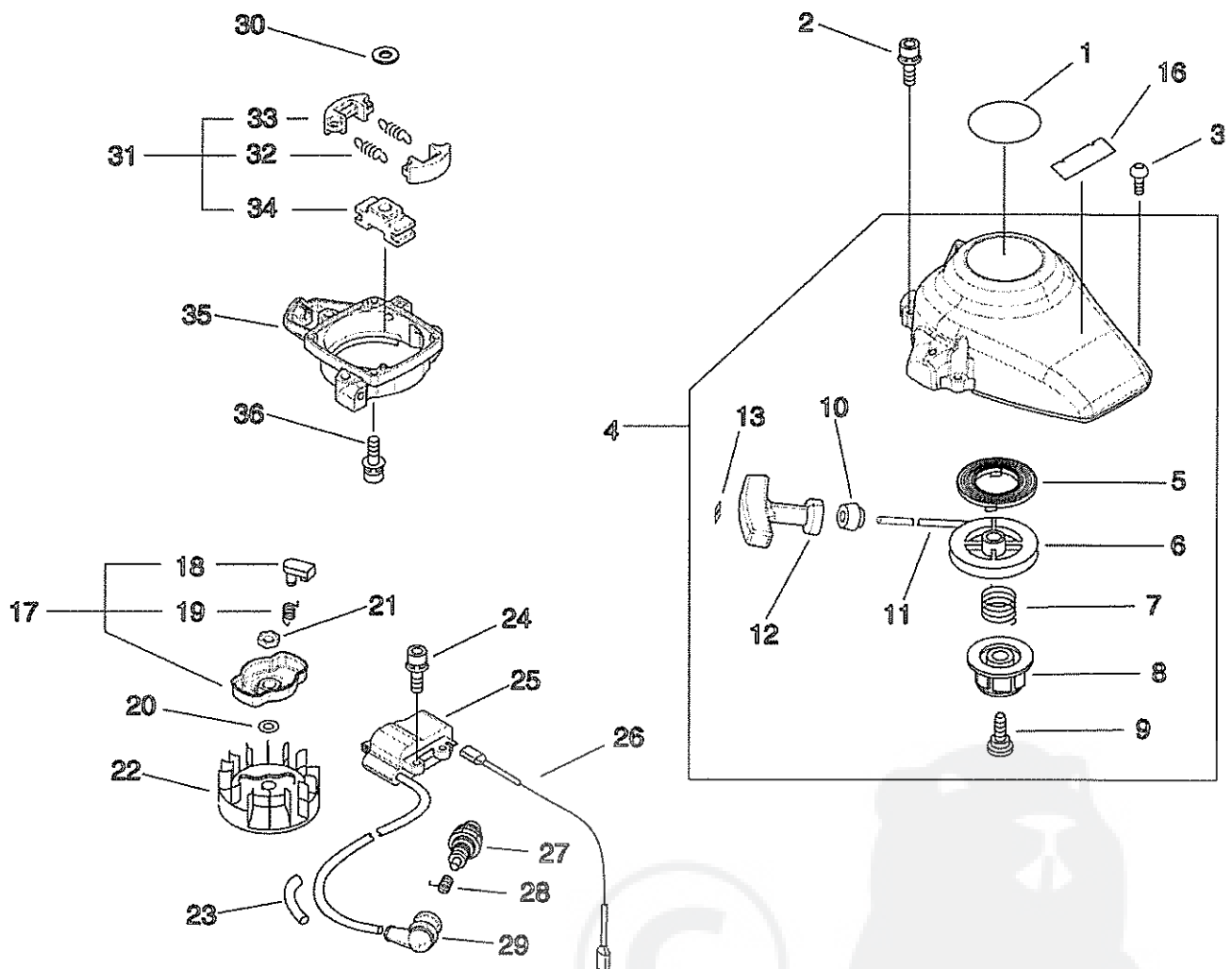


HCR-171ES(36), 36011796-, CYLINDER, CRANKCASE, PISTON
 P014-000050-12Hb, 2011/08/30

Key	Lv	Part no.	Part description	Quantity	Note1	Note2
1		100204-52133	CRANKCASE KIT	1		
2	+	100212-42031	OILSEAL	2		
3	+	900162-05028	BOLT, H.S. 5*28	3		
4	+	94035-36201	BEARING BALL	2		
5	+	100242-42030	GASKET, CRANKCASE	1		
6	+	100215-03930	PIN, DOWEL	2	Sus. by 900330-40080	
6	+	900330-40080	PIN F 4*8	2		
7		A011-000223	CRANKSHAFT,ASM	1		
8		P021-007772	PISTON KIT	1		
9	+	100014-08960	SPACER, PISTON PIN	2		
10	+	100113-05930	BEARING, NEEDLE	1		
11	+	100015-04630	CIRCLIP, PISTON PIN	2		
12	+	100013-11520	PIN, PISTON	1		
13	+	A101-000090	RING,PISTON	1		
14		V100-000160	GASKET,CYL	1		
15		A130-000550	CYLINDER	1		
16		900162-05022	BOLT, H.S. 5*22	2		
17		A160-000880	COVER,CYLINDER	1		
18		91121-05016	BOLT, FLANGE	1		
19		A127-000170	COVER,DUST	1		
21		91118-05016	BOLT	1		



HCR-171ES(36), 36011796-, STARTER, MAGNETO, CLUTCH
P014-000050-12Hb, 2011/08/30



HCR-171ES(36), 36011796-, STARTER, MAGNETO, CLUTCH
P014-000050-12Hb, 2011/08/30

Key	Lv	Part no.	Part description	Quantity	Note1	Note2
1		X502-000330	LABEL,ECHO	1	Sus. by X502-000890	
1		X502-000890	LABEL,ECHO	1		
2		V202-000090	BOLT,4	4		
3		V202-000030	BOLT,4	1		
4		A051-001110	STARTER,RECOIL ASY	1	Sus. by A051-001111	
4		A051-001111	STARTER,RECOIL ASY	1	Sr/Nr 36012956 and after	
5	+	177220-42030	SPRING, REWIND	1		
6	+	P022-006830	DRUM	1	Sus. by P050-009910	
6	+	P022-034080	DRUM	1	Sr/Nr 36012956 and after	
7	+	V452-000150	SPRING,TORSION	1	Sus. by P050-009910	
7	+	V452-000150	SPRING,TORSION	1	Sr/Nr 36012956 and after	
8	+	A507-000030	CATCHER,PAWL	1	Sus. by P050-009910	
8	+	P022-034090	PLATE	1	Sr/Nr 36012956 and after	
9	+	177236-61830	SCREW	1		
10	+	177227-42030	GUIDE, ROPE	1		
11	+	P022-008260	ROPE	1		
12	+	177228-27030	GRIP, STARTER	1		
13	+	177246-11120	CLIP, STARTER ROPE	1		
16		X503-007720	LABEL,MODEL	1		
17		A052-000210	PULLEY,ASM STARTER	1		
18	+	P022-020030	PAWL, STARTER	2		
19	+	P022-007980	SPRING, RETURN	2		
20		900600-00008	WASHER 8	1		
21		900512-00008	NUT 3N 8 (L-H)	1		
22		A409-000210	ROTOR,MAGNETO	1		
23		V475-001610	TUBE	1		
24		91113-04020	BOLT	2		
25		A411-000130	COIL,IGNITION	1		
26		V485-000870	LEAD	1		
27		A425-000000	SPARKPLUG	1		
28		A426-000010	TERMINAL,SPARKPLUG	1		
29		A427-000013	CAP,SPARK PLUG	1		
30		610350-12360	WASHER	1		
31		A056-000190	CLUTCH ASY	1		
32	+	A566-000000	SPRING, CLUTCH	2		
33	+	175017-44331	SHOE, CLUTCH	2		

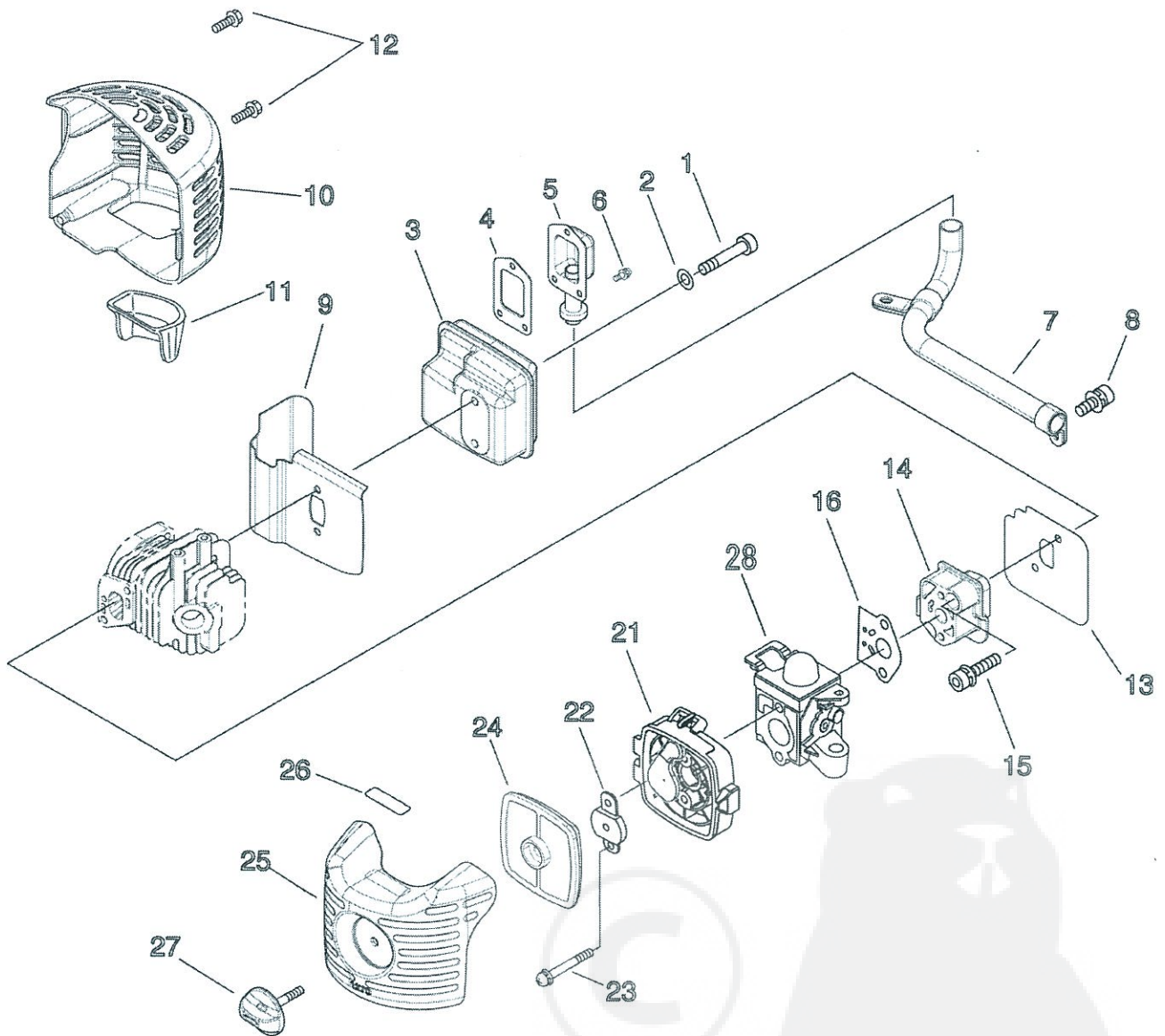
HCR-171ES(36), 36011796-, STARTER, MAGNETO, CLUTCH
P014-000050-12Hb, 2011/08/30

Key	Lv	Part no.	Part description	Quantity	Note1	Note2
-----	----	----------	------------------	----------	-------	-------

34	+	A552-000080	HUB, CLUTCH	1		
35		A570-000140	CASE, CLUTCH	1		
36		900163-04016	BOLT HSH	4		



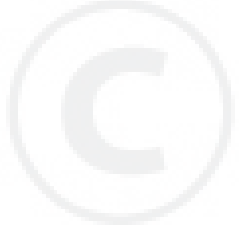
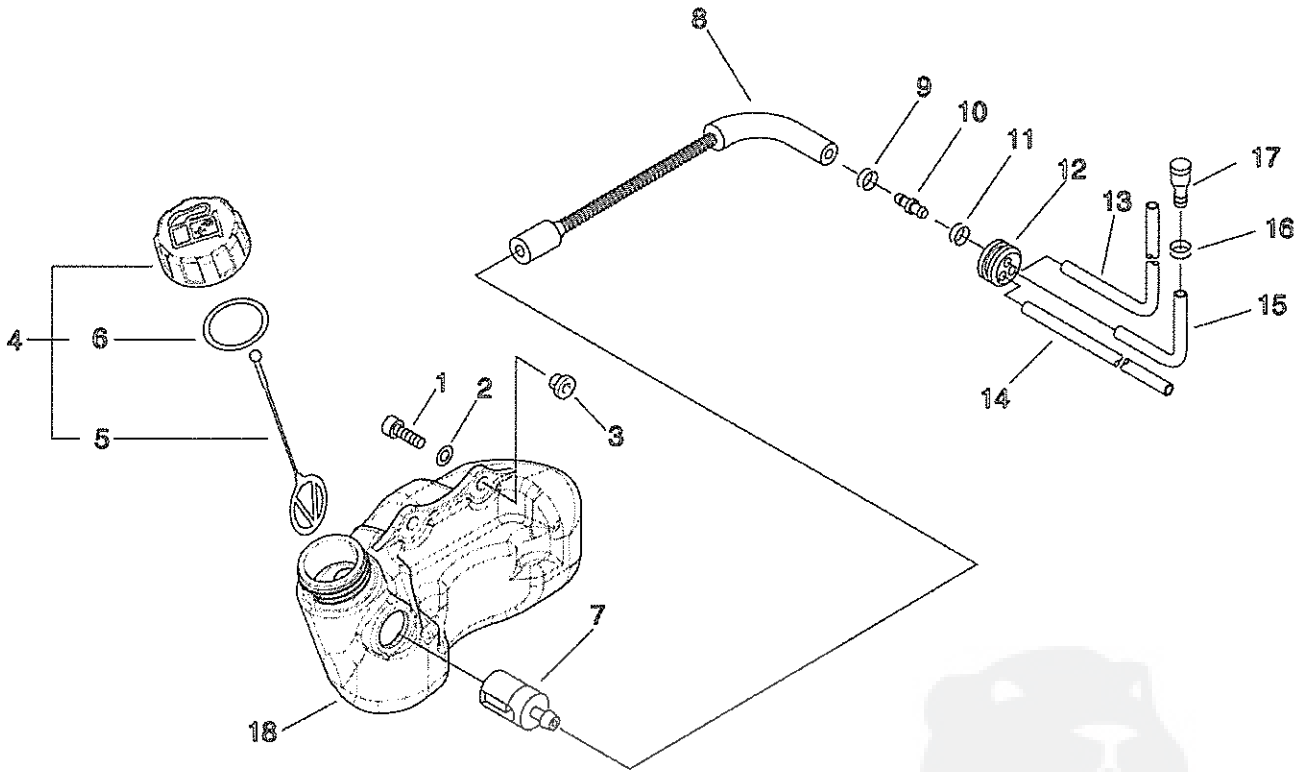
HCR-171ES(36), 36011796-, AIR CLEANER, CARBURETOR
P014-000050-12Hb, 2011/08/30



HCR-171ES(36), 36011796-, AIR CLEANER, CARBURETOR
 P014-000050-12Hb, 2011/08/30

Key	Lv	Part no.	Part description	Quantity	Note1	Note2
1		900105-05055	BOLT, H.S. 5*55	2		
2		900600-00005	WASHER 5	2		
3		145806-42030	MUFFLER	1		
4		145866-42031	GASKET, MUFFLER LID	1		
5		A313-000870	GUIDE, EXHAUST	1		
6		900242-04010	SCREW 4*10	3		
7		A313-000880	GUIDE, EXHAUST	1		
8		91107-04010	BOLT, FLANGE	1		
9		V104-000850	GASKET,EXHAUST	1		
10		A320-000430	COVER,MUFFLER	1		
11		A323-000010	PIECE,COVER	1		
12		91121-05016	BOLT, FLANGE	2		
13		V103-000180	GASKET,INTAKE	1		
14		A200-000300	INSULATOR, INTAKE	1		
15		900162-05025	BOLT, H.S. 5*25	2		
16		V103-000410	GASKET,INTAKE	1		
21		A225-000240	CASE,CLEANER	1		
22		129011-52730	PLATE, PREVENT	1		
23		900242-05065	SCREW 5*65	2		
24		A226-001410	ELEMENT,AIR FILTER	1		
25		A232-000400	LID,CLEANER	1		
26		890332-52730	LABEL, CHOKE	1		
27		V299-000250	KNOB,FASTENER	1		
28		A021-001671	CARBURETOR,DIAPHRAGM	1		
29		V490-001100	CLIP	1		

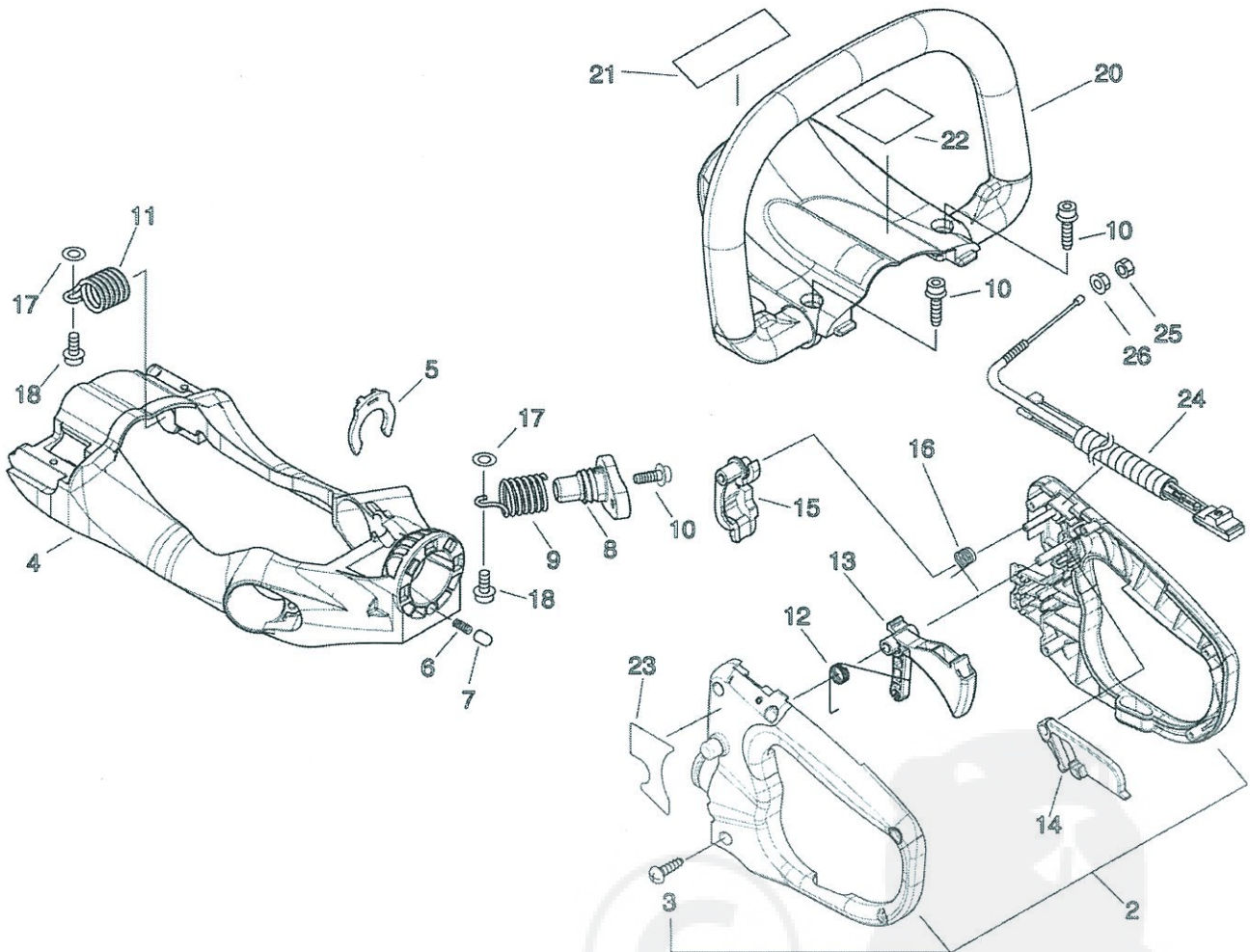
HCR-171ES(36), 36011796-, FUEL TANK
P014-000050-12Hb, 2011/08/30



HCR-171ES(36), 36011796-, FUEL TANK
 P014-000050-12Hb, 2011/08/30

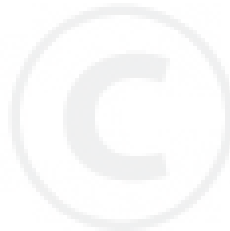
Key	Lv	Part no.	Part description	Quantity	Note1	Note2
1		91118-05020	BOLT	3		
2		900603-00005	WASHER 5	3		
3		V353-000231	COLLAR,5	3		
18		A350-000590	TANK, FUEL	1		
4		P021-012210	CAP,FUEL ASY	1		
5	+	A365-000060	CONNECTOR,CAP	1		
6	+	131016-55830	GASKET, FUEL CAP	1		
7		131205-07320	STRAINER, FUEL	1		
8		132012-12361	PIPE	1		
9		132013-26630	CLIP	1	Sus. by V490-001 230	
9		V490-001230	CLIP	1		
10		V186-000020	JOINT,PIPE	1	Sus. by V186-000 510	
10		V186-000510	JOINT,PIPE	1		
11		132013-09820	CLIP	1	Sus. by V490-001 240	
11		V490-001240	CLIP	1		
12		132115-55930	GROMMET, FUEL	1		
13		130110-54430	PIPE, IMPULSE	1		
14		132010-40830	PIPE 3* 6* 75	1		
15		V471-001880	PIPE	1		
16		437411-19830	CLIP, OIL PIPE	1		
17		A356-000031	VALVE,CHECK	1		

HCR-171ES(36), 36011796-, HANDLE
P014-000050-12Hb, 2011/08/30

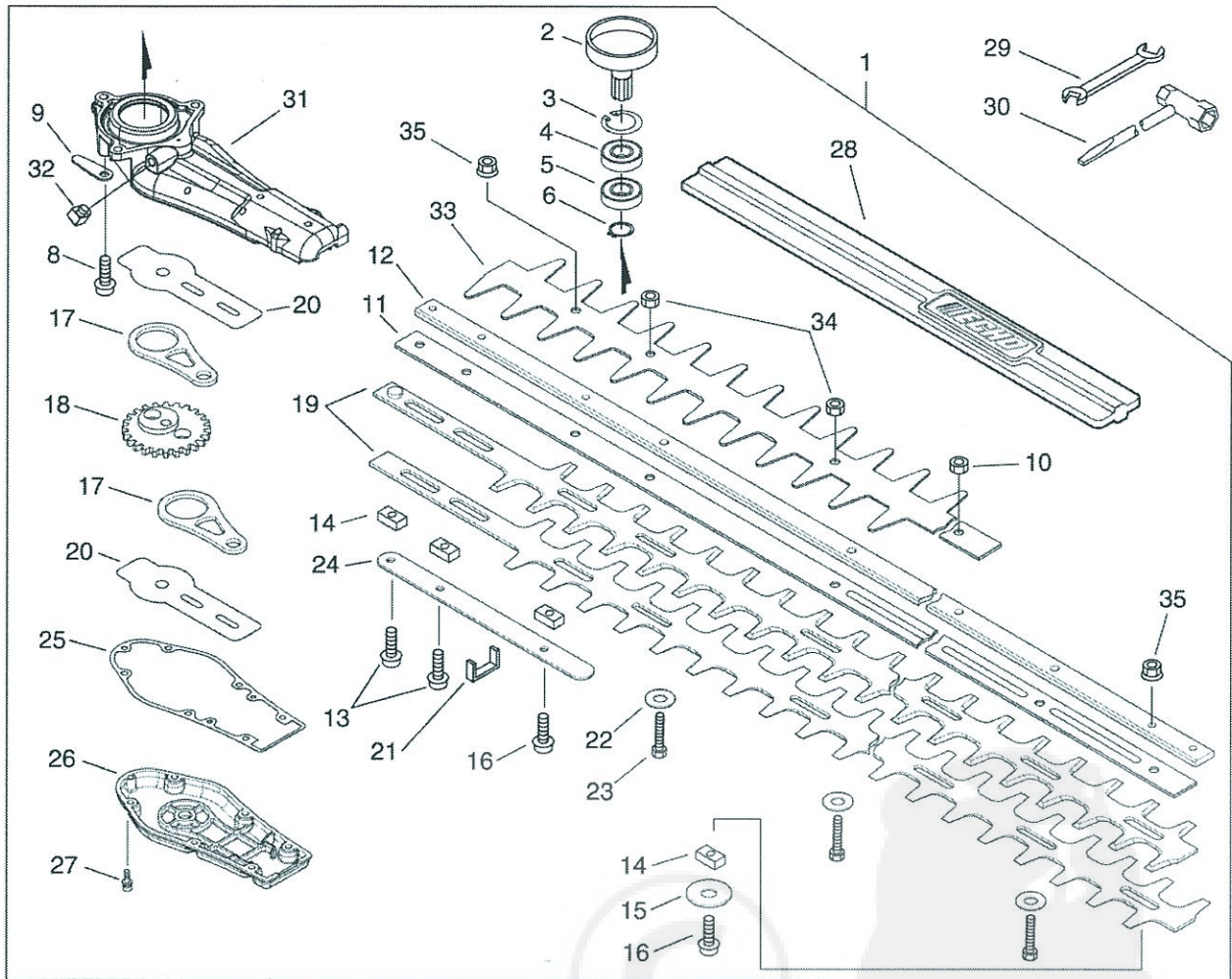


HCR-171ES(36), 36011796-, HANDLE
 P014-000050-12Hb, 2011/08/30

Key	Lv	Part no.	Part description	Quantity	Note1	Note2
2		P021-013051	HANDLE SET, REAR	1		
3	+	900256-04016	SCREW 4*16	5		
4		C600-000860	FRAME	1		
5		C423-000280	FIXTURE, HANDLE	1		
6		V450-000630	SPRING, COMPRESSION	1		
7		605611-13360	PIN	1		
8		V456-000040	HOLDER, SPRING	2		
9		V450-000610	SPRING, COMPRESSION	2		
10		91147-05020	BOLT HS FL TAPP	4		
11		V450-000620	SPRING, COMPRESSION	2		
12		V452-000300	SPRING, TORSION	1		
13		C450-000250	CONTROL, THROTTLE	1		
14		C460-000090	LOCKOUT, THROTTLE	1		
15		C427-000020	STOPPER, HAMDLE	1		
16		V452-000310	SPRING, TORSION	1		
17		900603-00005	WASHER 5	4		
18		900106-05016	BOLT, H.S. 5*16	4		
20		C400-000480	HANDLE, FRONT	1		
22		X505-002030	LABEL, CAUTION	1		
23		X532-000740	LABEL, OPERATION	1		
24		P021-015250	CABLE, ASM CONTROL	1		
25		900502-00006	NUT 6 (3N)	1		
26		900515-00006	NUT, FLANGE 6	1		



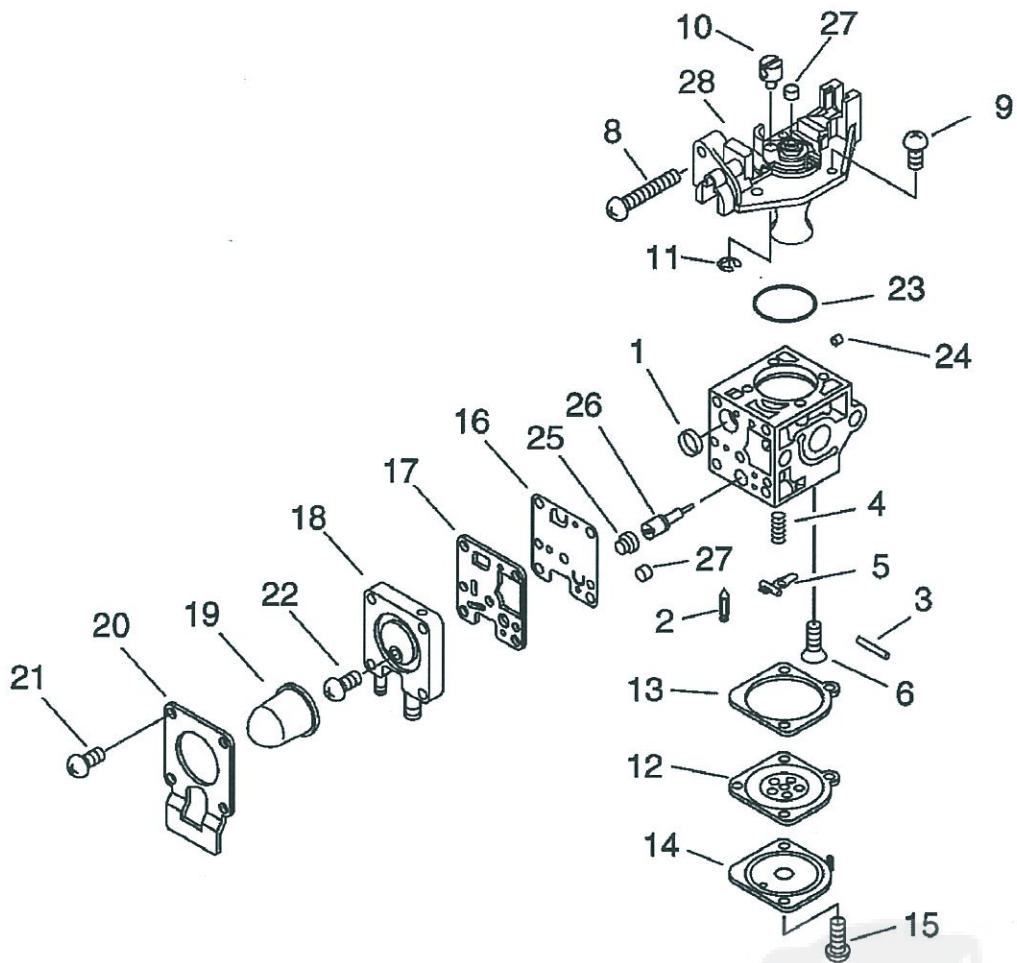
HCR-171ES(36), 36011796-, CUTTING BLADE
P014-000050-12Hb, 2011/08/30



HCR-171ES(36), 36011796-, CUTTING BLADE
 P014-000050-12Hb, 2011/08/30

Key	Lv	Part no.	Part description	Quantity	Note1	Note2
1		P021-041750	CASE, GEAR ASY	1		
2	+	A556-000470	DRUM, CLUTCH	1		
3	+	900702-00035	CIRCLIP 35	1		
4	+	900812-06202	BEARING, BALL 6202	1		
5	+	900810-36202	BEARING, BALL 6202	1		
6	+	900701-00014	CIRCLIP 14	1		
8	+	91107-06020	BOLT HSH FLANGE	3		
9	+	C628-000030	PIECE, PLATE	1		
10	+	433022-06460	NUT	1		
11	+	X425-000850	SUPPORT,CUTTER	1		
12	+	X425-000360	SUPPORT,CUTTER	1		
13	+	900106-05025	BOLT, H.S. 5*25	2		
14	+	V353-000250	COLLAR	4		
15	+	177214-21860	WASHER	1		
16	+	91107-05022	BOLT, FLANGE	2		
17	+	C532-000170	ROD, CONNECTING	2		
18	+	V650-000300	GEAR,SPUR	1		
19	+	X411-000600	CUTTER	2		
20	+	V150-001810	PLATE,EYE	2		
21	+	V541-000140	SEAL	1		
22	+	699118-04560	WASHER	4		
23	+	699115-06960	BOLT, CUTTER	4	Sus. by 699115-07760	
23	+	699115-07760	BOLT, CUTTER	4		
24	+	V150-001800	PLATE,EYE	1		
25	+	V110-000060	GASKET,GEAR CASE	1		
26	+	C539-000020	LID,GEARCASE	1		
27	+	91118-04016	BOLT	6		
28	+	X495-000190	SCABBARD,BLADE	1		
31	+	P021-015600	CASE,GEAR	1		
32	++	94984-06075	NIPPLE, GREASE	1		
33	+	X431-000110	BLUNT	1		
34	+	433022-06460	NUT	3		
35	+	92108-05000	NUT, FLANGE	2		
29		895112-00330	SPANNER 8*10	1		
30		895410-03930	WRENCH, W/S. DRIVER	1		

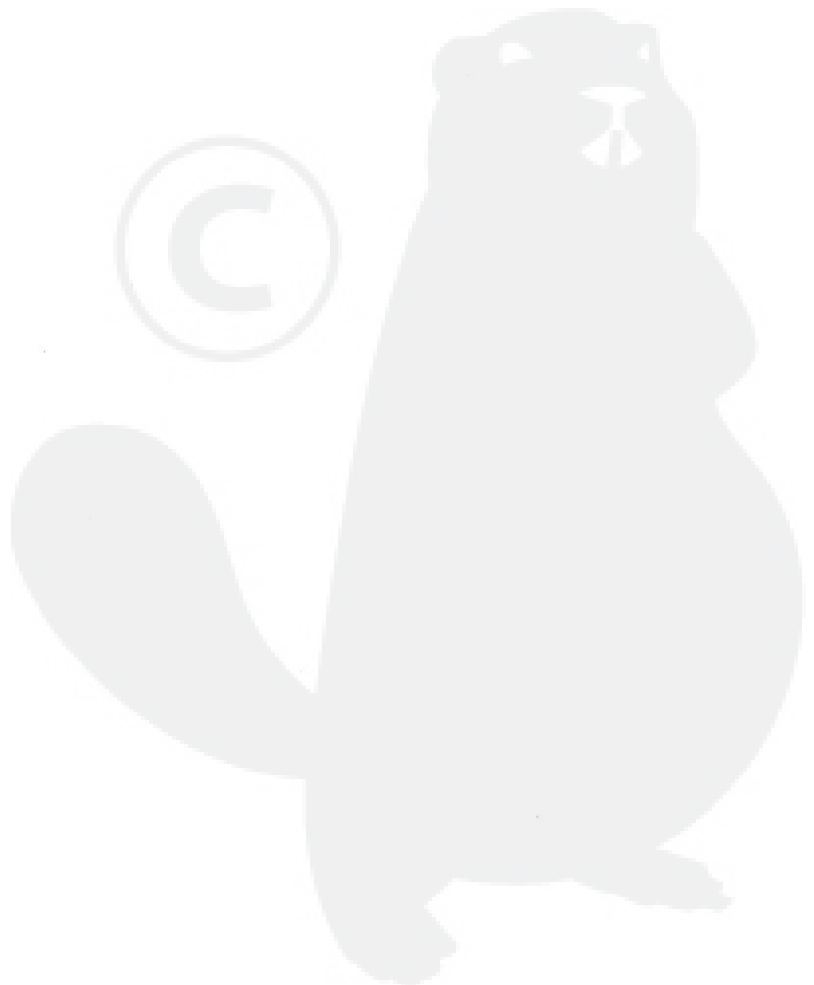
HCR-171ES(36), 36011796-, CARBURETOR
P014-000050-12Hb, 2011/08/30



HCR-171ES(36), 36011796-, CARBURETOR
 P014-000050-12Hb, 2011/08/30

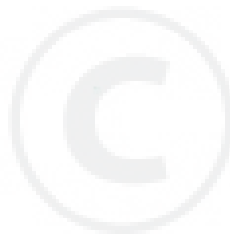
Key	Lv	Part no.	Part description	Quantity	Note1	Note2
		A021-001671	CARBURETOR,DIAPHRAGM	1		
1	+	P005-000010	STRAINER	1		
2	+	125337-08260	VALVE, INLET NEEDLE	1		
3	+	125338-13930	PIN, METERING ARM	1		
4	+	P005-000940	SPRING, METER. LEVER	1		
5	+	125323-08260	ARM, VALVE	1		
6	+	125339-42030	SCREW	1		
28	+	P005-002050	COVER ASY, ROTOR	1		
8	+	P005-000100	SCREW,THROTTLEADJUST	1		
9	+	125344-13931	SCREW	3		
10	+	P005-001240	POST	1		
11	+	P005-002200	POST	1		
12	+	P005-001780	DIAPHRAGM	1		
13	+	P005-000200	GASKET, METERING	1		
14	+	125342-52130	COVER, DIAPHRAGM	1		
15	+	125344-52130	SCREW	3		
16	+	P005-000510	DIAPHRAGM, PUMP	1		
17	+	P005-000520	GASKET, PUMP	1		
18	+	P005-001890	BASE, ASY PRIMER	1		
19	+	125381-08660	PUMP, PRIMING	1		
20	+	P005-000250	RETAINER	1		
21	+	P005-001900	SCREW	4		
22	+	P005-000270	SCREW	1		
23	+	P005-000280	O-RING	1		
24	+	P005-001000	ROLLER, GUIDE	1		
25	+	P005-001250	RETAINER,PLUG BALL	1		
26	+	P005-001260	SCREW,MAINN MIXTURE	1		
27	+	P005-001270	PLUG, H AJUST SCREW	2		

HCR-171ES(36), 36011796-, REPAIR KIT
P014-000050-12Hb, 2011/08/30



HCR-171ES(36), 36011796-, REPAIR KIT
P014-000050-12Hb, 2011/08/30

Key	Lv	Part no.	Part description	Quantity	Note1	Note2
		P005-001660	DIAPHRAGM/GASKET KIT	1		
1	+	P005-001780	DIAPHRAGM	1		
2	+	P005-000200	GASKET, METERING	1		
3	+	P005-000510	DIAPHRAGM, PUMP	1		
4	+	P005-000520	GASKET, PUMP	1		



HCR-171ES(36), 36011796-, REBUILD KIT
P014-000050-12Hb, 2011/08/30



HCR-171ES(36), 36011796-, REBUILD KIT
P014-000050-12Hb, 2011/08/30

Key	Lv	Part no.	Part description	Quantity	Note1	Note2
		P005-001670	REBUILD KIT	1		
1	+	P005-000010	STRAINER	1		
2	+	125337-08260	VALVE, INLET NEEDLE	1		
3	+	125338-13930	PIN, METERING ARM	1		
4	+	P005-000940	SPRING, METER. LEVER	1		
5	+	125323-08260	ARM, VALVE	1		
6	+	P005-001780	DIAPHRAGM	1		
7	+	P005-000200	GASKET, METERING	1		
8	+	P005-000510	DIAPHRAGM, PUMP	1		
9	+	P005-000520	GASKET, PUMP	1		
10	+	P005-001000	ROLLER, GUIDE	1		

