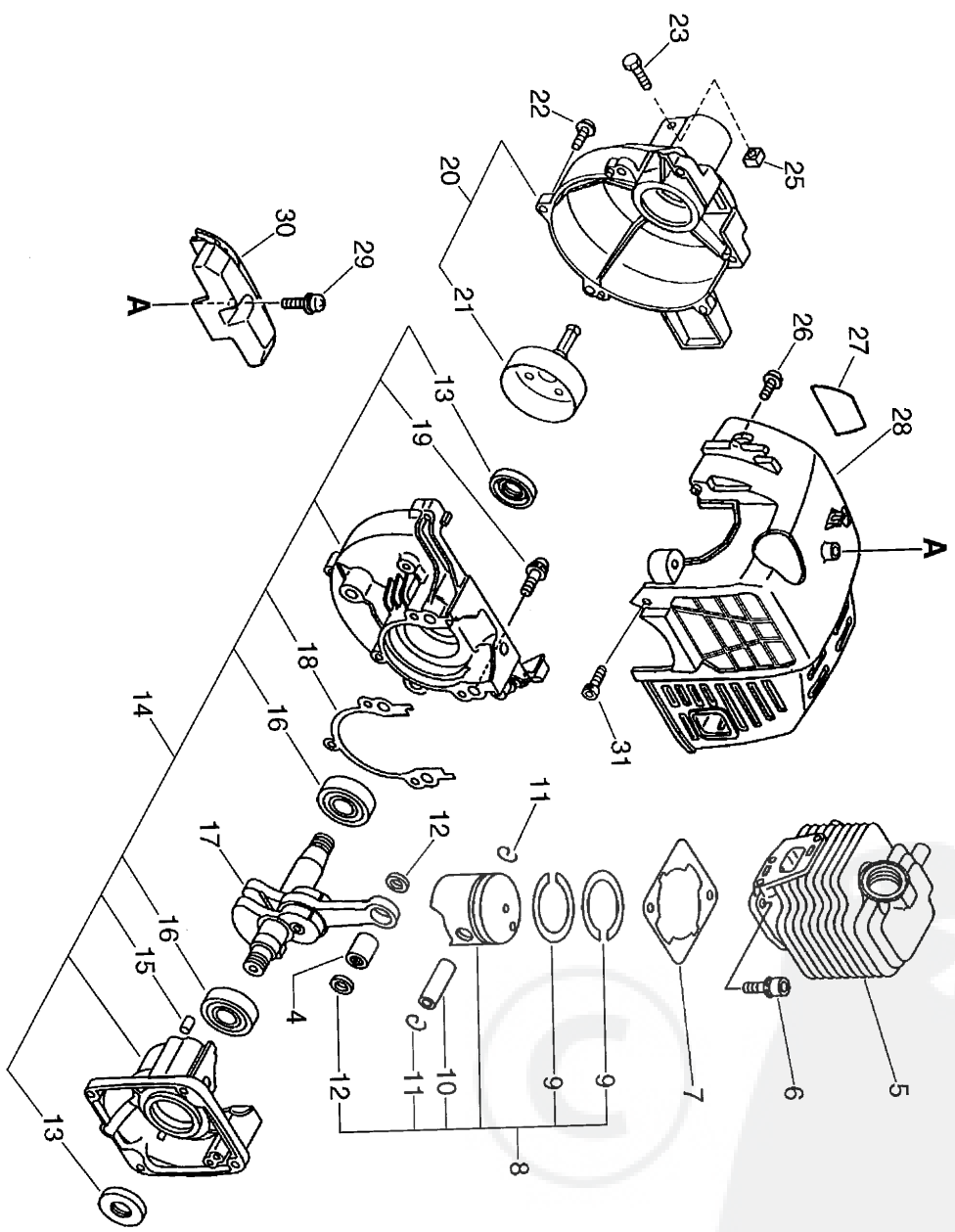


No.1

Group: Hedge Trimmers Model: SHC-1700 Section: Cylinder, Crankcase, Piston, Fan Cover (1)

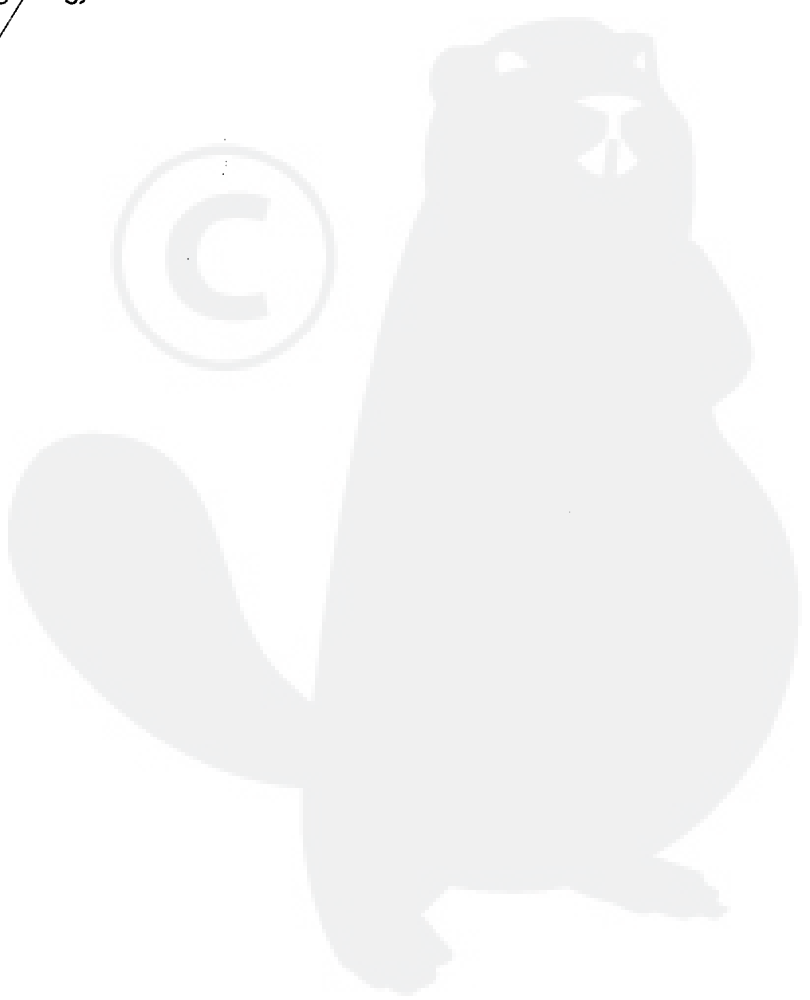
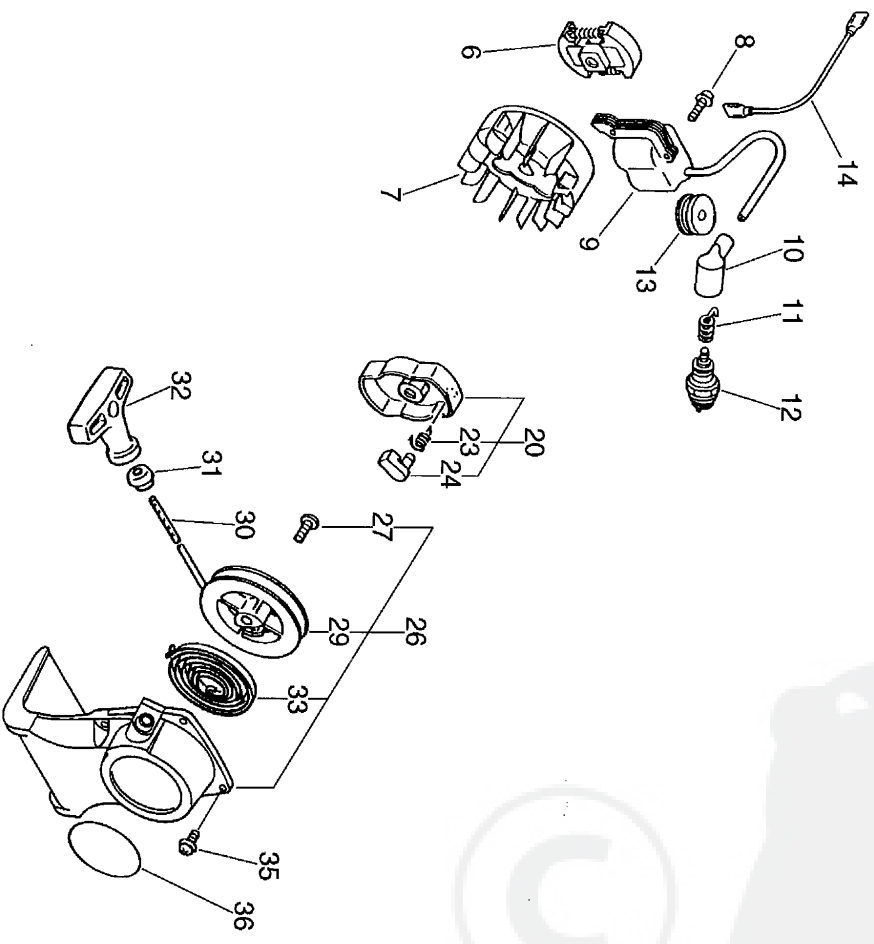


P a r t s L i s t

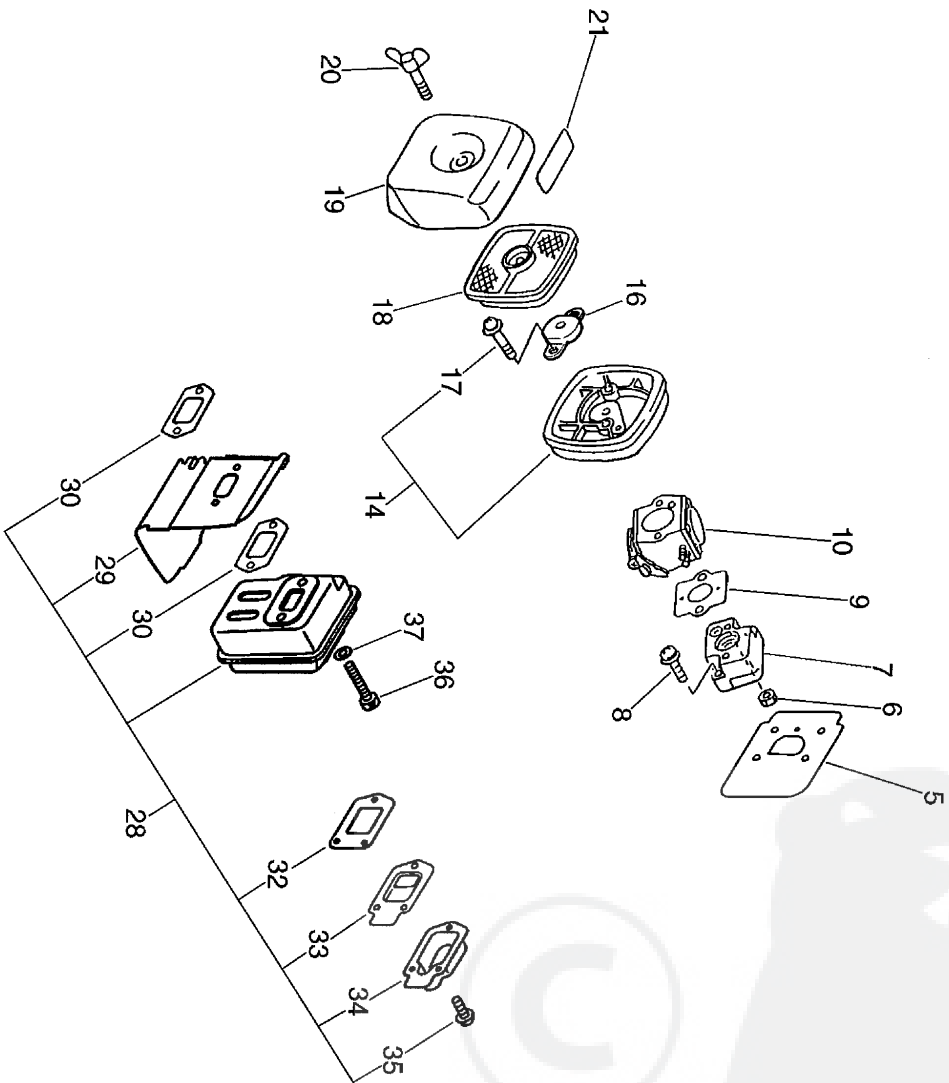
Group:Hedge Trimmers Model:SHC-1700 Section:Cylinder, Crankcase, Piston, Fan Cover (1)

Date:16-11-2011 Page: 1

Key	Lv	Part Number	Qty	Description	Remarks	Note
5		101011-06562	1	CYLINDER	Sr/Nr 005513 and before	
5		A130-000010	1	CYLINDER	Sus. by A130-000021	
5		A130-000011	2	CYLINDER	Sus. by A130-000021	
5		A130-000021	2	CYLINDER	Sr/Nr 005514 and after	
6		900162-05022	2	BOLT, H.S. 5*22		
7		101010-44332	1	GASKET, CYL. BASE		
8		100000-48732	1	PISTON KIT	Sr/Nr 005513 and before	
8		P021-000390	1	PISTON KIT	Sus. by P021-001102	
8		P021-001100	1	PISTON KIT	Sus. by P021-001102	
8		P021-001101	1	PISTON KIT	Sus. by P021-001102	
8		P021-001102	1	PISTON KIT	Sr/Nr 005514 and after	
9		100011-05330	2	RING, PISTON	Sr/Nr 005513 and before	
9		A101-000000	2	RING, PISTON	Sr/Nr 005514 and after	
10		100013-11520	1	PIN, PISTON		
11		100015-04630	2	CIRCLIP, PISTON PIN		
12		100014-11520	2	SPACER, PISTON PIN		
14		100204-52130	1	CRANKCASE KIT	Sus. by 100204-52132	
14		100204-52131	1	CRANKCASE KIT	Sus. by 100204-52132	
14		100204-52132	1	CRANKCASE KIT	Sus. by 100204-52132	
13		100212-42030	2	OILSEAL	Sus. by 100212-42031	
13		100212-42031	2	OILSEAL		
15		100215-03930	2	PIN, DOWEL		
16		900810-36201	2	BEARING, BALL 6201	Sus. by 94035-36201	
16		94035-36201	2	BEARING, BALL		
18		100242-42030	1	GASKET, CRANKCASE		
19		900162-05028	3	BOLT, H.S. 5*28		
17		100100-44732	1	CRANKSHAFT ASSY	Sr/Nr 005513 and before	
17		A011-000000	1	CRANKSHAFT,ASM	Sus. by A011-000002	



Group: Hedge Trimmers Model: SHC-1700 Section: Air Cleaner, Muffler (3)
No.3

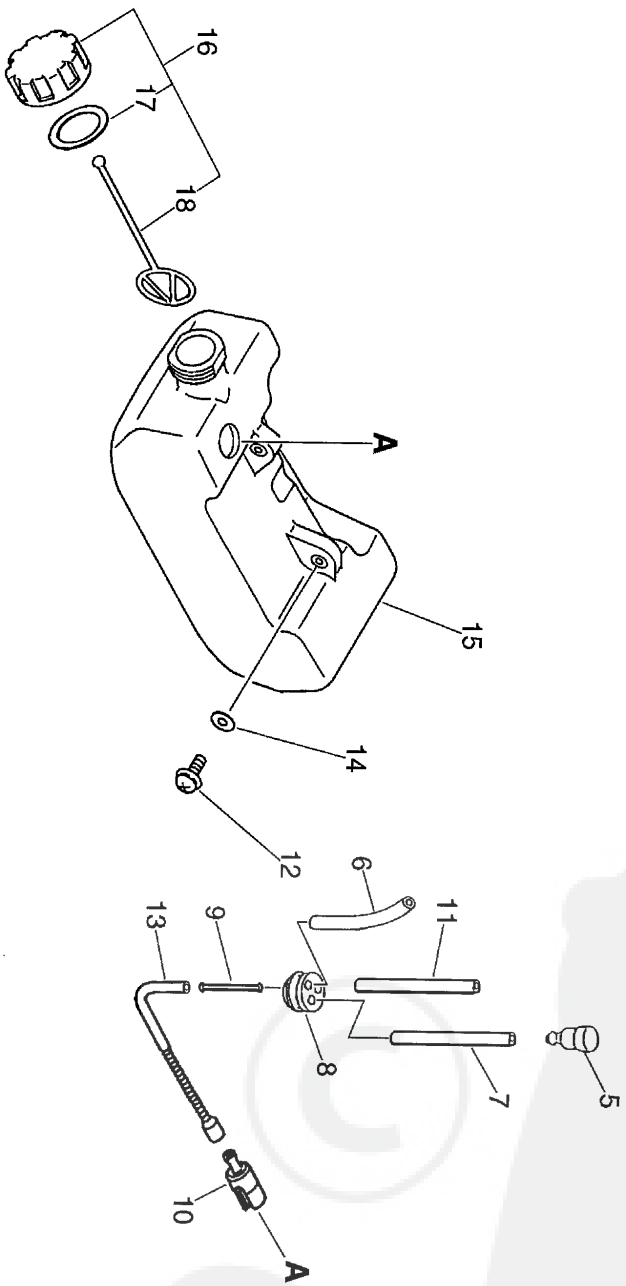


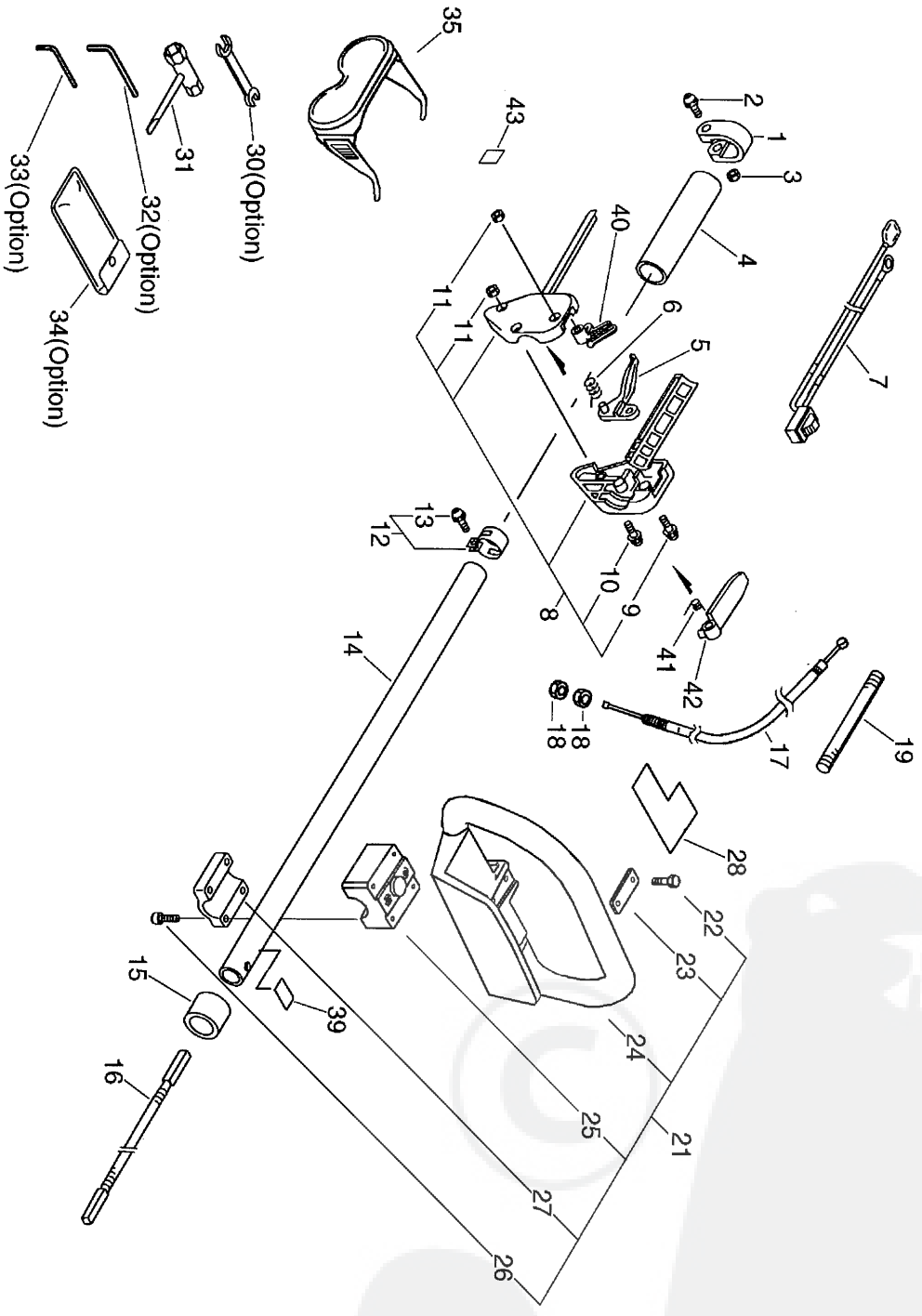
P a r t s L i s t

Group:Hedge Trimmers Model:SHC-1700 Section:Air Cleaner, Muffler(3)

Date:16-11-2011 Page: 1

Key	Qty	Part Number	Q'ty	Description	Remarks	Note
5	1	130010-42032	1	GASKET, INTAKE		
6	2	900500-00005	2	NUF 5		
7	1	130017-42031	1	INSULATOR		
8	2	900238-05020	2	SCREW 5*20		
9	1	V103-000111	1	GASKET, INTAKE	Sus. by 130016-42031	
9	1	130016-42031	1	GASKET, INTAKE		
10	1	125200-13312	1	CARBURETOR ASSY	Sus. by 125200-13314	
10	1	125200-13313	1	CARBURETOR	Sus. by 125200-13314	
10	1	125200-13314	1	CARBURETOR		
14	1	130307-06561	1	CASE, AIR CLEANER	Sus. by P021-002921	
14	1	P021-002921	1	CASE, AIR CLEANER		
17 +	2	900242-05065	2	SCREW 5*65		
16	1	129011-52730	1	PLATE, PREVENT		
18	1	130310-54130	1	FILTER, AIR		
19	1	130313-06563	1	LID, AIR CLEANER		
20	1	210417-52730	1	BOIT, WING		
21	1	890121-05360	1	LABEL, METERING		
28	1	145802-54130	1	MUFFLER ASSY	Sr/Nr 005513 and before	
28	1	P021-001380	1	MUFFLER ASSY	Sus. by P021-001384	
28	1	P021-001381	1	MUFFLER ASSY	Sus. by P021-001384	
28	1	P021-001382	1	MUFFLER ASSY	Sus. by P021-001384	
28	1	P021-001383	1	MUFFLER ASSY	Sus. by P021-001384	
28	1	P021-001384	1	MUFFLER ASSY	Sus. by P021-001384	
29 +	1	145871-44331	1	COVER, MUFFLER	Sr/Nr 005514 and after	
29 +	1	145631-42030	1	COVER, MUFFLER	Sus. by A320-000251	
29 +	1	A320-000250	1	COVER, MUFFLER	Sus. by A320-000251	
29 +	1	A320-000251	1	COVER, MUFFLER	Sus. by A320-000251	
30 +	2	145510-42031	2	GASKET, MUFFLER	Sus. by V104-000160	





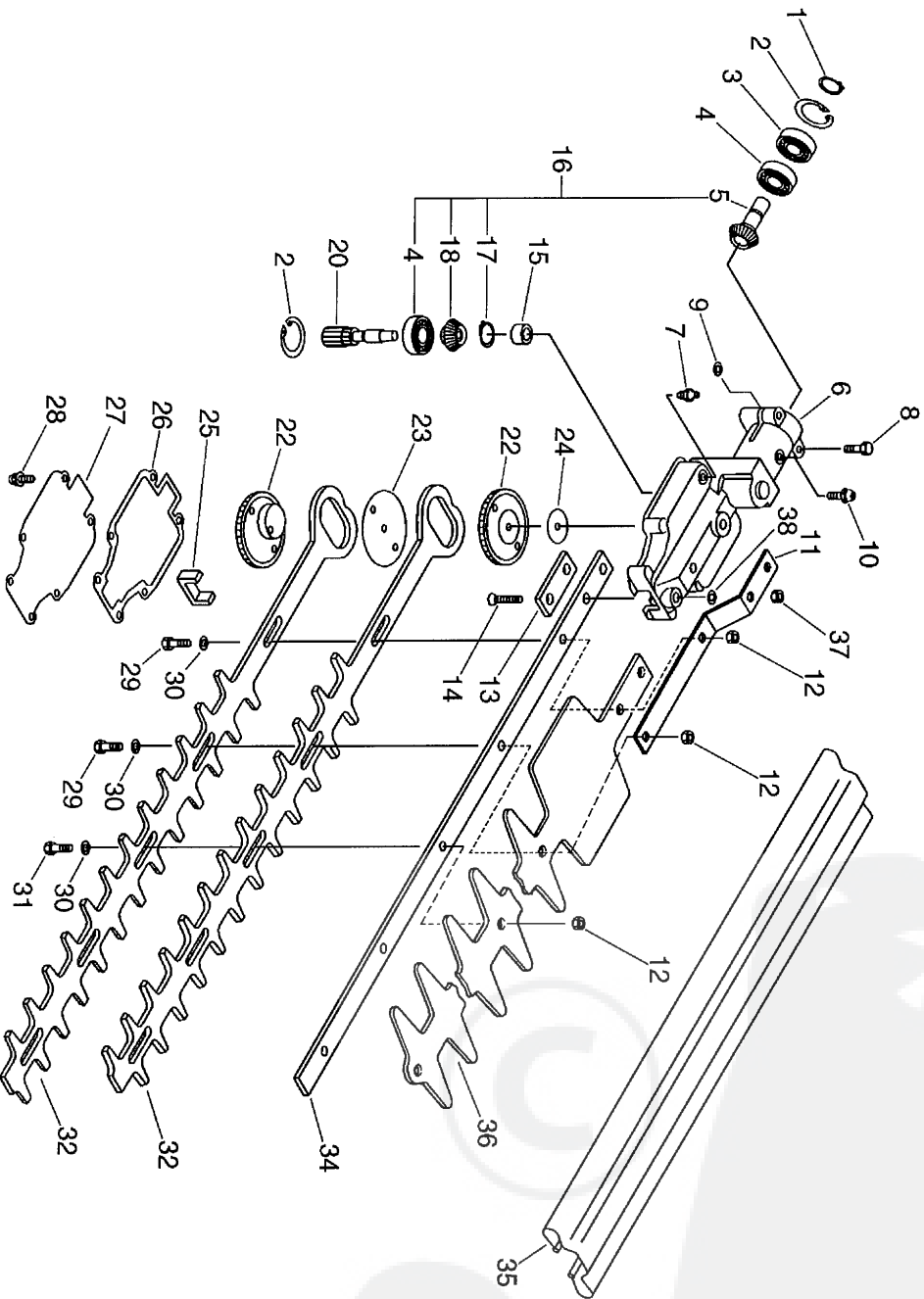
P a r t s L i s t

Group:Hedge Trimmers Model:SHC-1700 Section:Handle, Tools (5)

Date:16-11-2011 Page: 1

Key	Lv	Part Number	Qty	Description	Remarks	Note
1		610272-52730	1	BAND, GRIP		
2		900242-05028	1	SCREW 5*28		
3		900500-00005	1	NUT 5		
4		351213-52730	1	GRIP, FRONT HANDLE		
5		178010-52130	1	CONTROL, THROTTLE		
6		178043-42230	1	SPRING, THR. RETURN		
7		163400-49230	1	SWITCH, IGNITION		
7		163401-55631	1	SWITCH, IGNITION	Sus. by 163401-55631	
8		178003-52731	1	BRACKET SET, THROTTLE		
9 +		900242-05035	1	SCREW 5*35		
10 +		900242-05025	1	SCREW 5*25		
11 +		900500-00005	2	NUT 5		
12		301201-52730	1	BAND HOOK (W/SCREW)		
13 +		900242-05014	1	SCREW 5*14		
14		610206-21460	1	PIPE, MAIN		
15		610225-55330	1	COLLAR	Sus. by 610225-55331	
15		610225-55331	1	COLLAR		
16		610013-21460	1	SHAFT, FLEXIBLE		
17		178001-56730	1	CABLE, THROTTLE		
18		900502-00006	2	NUT 6 (3N)		
19		178127-21360	1	TUBE		
21		351201-21560	1	HANDLE, FRONT ASY		
22 +		900162-05030	2	BOLT, H.S. 5*20		
23 +		351611-05360	1	WASHER		
24 +		351610-05360	1	HANDLE, FRONT		
25 +		351415-21460	1	BRACKET, HANDLE		
26 +		889950-21560	4	SCREW 5		
27 +		351643-21460	1	BRACKET, HANDLE		

No.6



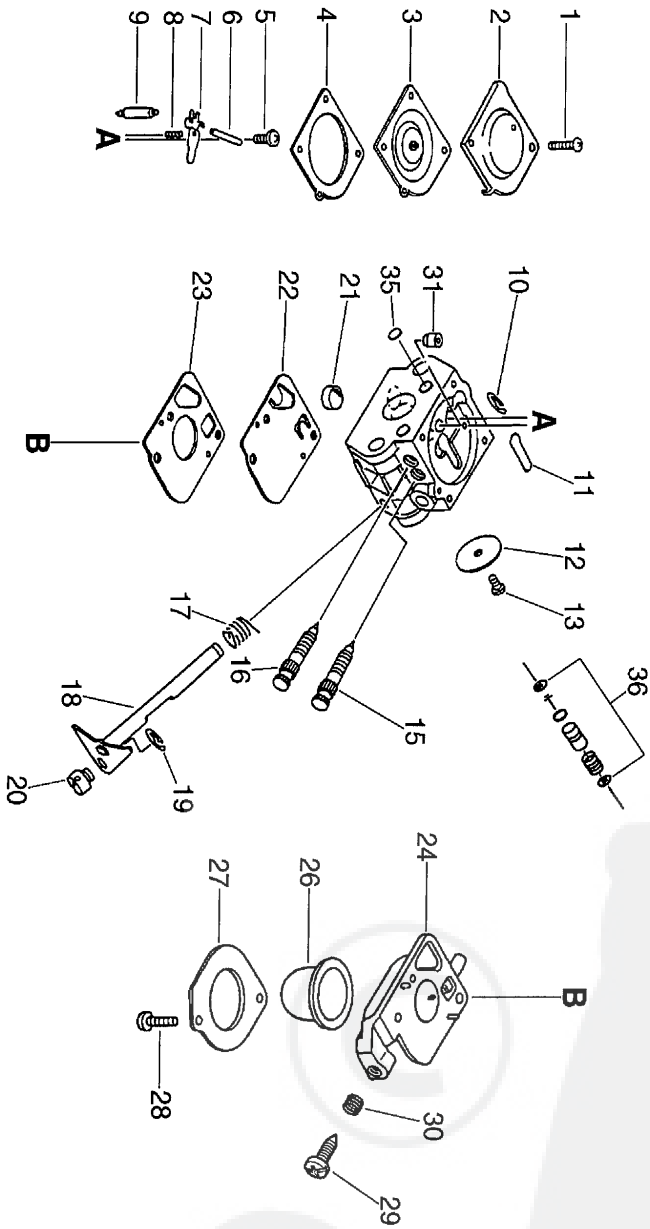
P a r t s L i s t

Group: Hedge Trimmers Model: SHC-1700 Section: Gear Case, Cutter (6)

Date: 16-11-2011 Page: 1

Key	Qty	Part Number	Description	Remarks	Note
1	1	900706-00012	CIRCLIP 12		
2	2	610335-21460	RING, RETAINING		
3	1	900858-06901	BEARING, BALL BB6901Z		
4	1	900855-06901	BEARING, BALL 6901		
5	1	610361-21460	GEAR	Sr/Nr 005791 and before	
6	1	610410-21460	CASE, GEAR (U)		
7	1	880110-54230	NIPPLE, GREASE		
8	2	900162-05028	BOLT, H.S. 5*28		
9	2	610239-04130	WASHER, SHIM		
10	1	900162-05012	BOLT, H.S. 5*12		
11	1	699120-21461	PLATE, CUTTER		
12	5	433022-06460	NTF		
13	1	610914-21460	PLATE, EYE		
14	2	900212-06035	SCREW 6*35		
15	1	604221-21460	BUSHING		
16	1	610308-21460	GEAR	Sus. by P021-004190	
16	1	V060-000000	GEAR, SPUR	Sus. by P021-004190	
16	1	P021-004190	GEAR, SPUR		
4 +	1	900855-06901	BEARING, BALL 6901		
5 +	1	V651-000050	GEAR, BEVEL	Sr/Nr 005792 and after	
17 +	1	610335-21560	RING, RETAINING		
18 +	1	610361-21560	GEAR	Sr/Nr 005791 and before	
18 +	1	V651-000060	GEAR, BEVEL	Sr/Nr 005792 and after	
20 +	1	610312-21460	GEAR	Sr/Nr 005791 and before	
20	1	610312-21460	GEAR		
22	2	610312-06560	GEAR, SPUR	Sus. by V650-000080	
22	2	V650-000080	GEAR, SPUR		
23	1	689025-05360	WASHER 6.7*54*0.38		

No.7



P a r t s L i s t

Group:Hedge Trimmers Model:SHC-1700 Section:Carburetor (7)

Date:16-11-2011 Page: 1

Key	Lv	Part Number	Q'ty	Description	Remarks	Note
		125200-13312	1	CARBURETOR ASSY	Sus. by 125200-13314	
		125200-13313	1	CARBURETOR	Sus. by 125200-13314	
		125200-13314	1	CARBURETOR		
	1 +	125344-52130	2	SCREW		
	2 +	125342-13210	1	COVER, DIAPHRAGM		
	3 +	125341-49030	1	DIAPHRAGM		
	4 +	125340-51030	1	GASKET, DIAPHRAGM		
	5 +	125339-42030	1	SCREW		
	6 +	125338-13930	1	PIN, METERING ARM		
	7 +	125323-42030	1	LEVER, METERING		
	8 +	125322-42030	1	SPRING, COIL		
	9 +	125337-06960	1	VALVE, INLET NEEDLE		
	10 +	125327-15130	1	CLIP		
	11 +	125345-15130	1	PLUG, WELCH		
	12 +	125316-49030	1	VALVE, THROTTLE		
	13 +	125314-13930	1	SCREW		
	15 +	125318-13120	1	SCREW, IDLE NEEDLE		
	16 +	125320-13310	1	NEEDLE, HIGH SPEED		
	17 +	125313-42030	1	SPRING, THRT. RETURN		
	18 +	125317-13310	1	SHAFT, THROTTLE		
	19 +	125327-13930	1	CLIP		
	20 +	125372-42030	1	SWIVEL		
	21 +	125326-42030	1	STRAINER		
	22 +	125312-12820	1	DIAPHRAGM, FUEL PUMP		
	23 +	125325-13310	1	GASKET, PUMP		
	24 +	P005-000590	1	BASE, ASY PRIMER		
	26 +	125381-08660	1	PUMP, PRIMER		
	27 +	125363-11610	1	RING		

P a r t s L i s t

Group:Hedge Trimmers Model:SHC-1700 Section:Repair Kit(8)

Date:16-11-2011 Page: 1

Key	Lv	Part Number	Qty	Description	Remarks	Note
		889000-21460	1	GASKET KIT	Sus. by 889000-21464	
		889000-21461	1	GASKET KIT	Sus. by 889000-21464	
		889000-21462	1	GASKET KIT	Sus. by 889000-21464	
		889000-21463	1	GASKET KIT	Sus. by 889000-21464	
		889000-21464	1	GASKET KIT		
1-7	+	101010-44332	1	GASKET, CYL. BASE		
1-18	+	100242-42030	1	GASKET, CRANKCASE		
3-5	+	130010-42032	1	GASKET, INTAKE		
3-9	+	130016-42031	1	GASKET, INTAKE	Sus. by V103-000111	
3-9	+	V103-000111	1	GASKET, INTAKE	Sus. by 130016-42031	
3-9	+	130016-42031	1	GASKET, INTAKE		
3-30	+	V104-000160	1	GASKET, EXHAUST	Sus. by V104-000160	
3-32	+	145866-42031	1	GASKET, MUFFLER LID	Sr/Nr 005513 and before	
3-32	+	V104-000000	1	GASKET, EXHAUST	Sus. by V104-000003	
3-32	+	V104-000001	1	GASKET, EXHAUST	Sus. by V104-000003	
3-32	+	V104-000002	1	GASKET, EXHAUST	Sus. by V104-000003	
3-32	+	V104-000003	1	GASKET, EXHAUST	Sr/Nr 005514 and after	
6-26	+	610414-21460	1	GASKET, GEAR CASE		
	+	130010-05960	1	GASKET, INTAKE		
		125303-13310	1	DIAPHRAGM/GASKET KIT		
7-3	+	125341-49030	1	DIAPHRAGM		
7-4	+	125340-51030	1	GASKET, DIAPHRAGM		
7-23	+	125325-13310	1	GASKET, PUMP		
	+	125312-42030	1	DIAPHRAGM, FUEL PUMP		
		125300-13310	1	REBUILT KIT		
7-3	+	125341-49030	1	DIAPHRAGM		
7-4	+	125340-51030	1	GASKET, DIAPHRAGM		

