



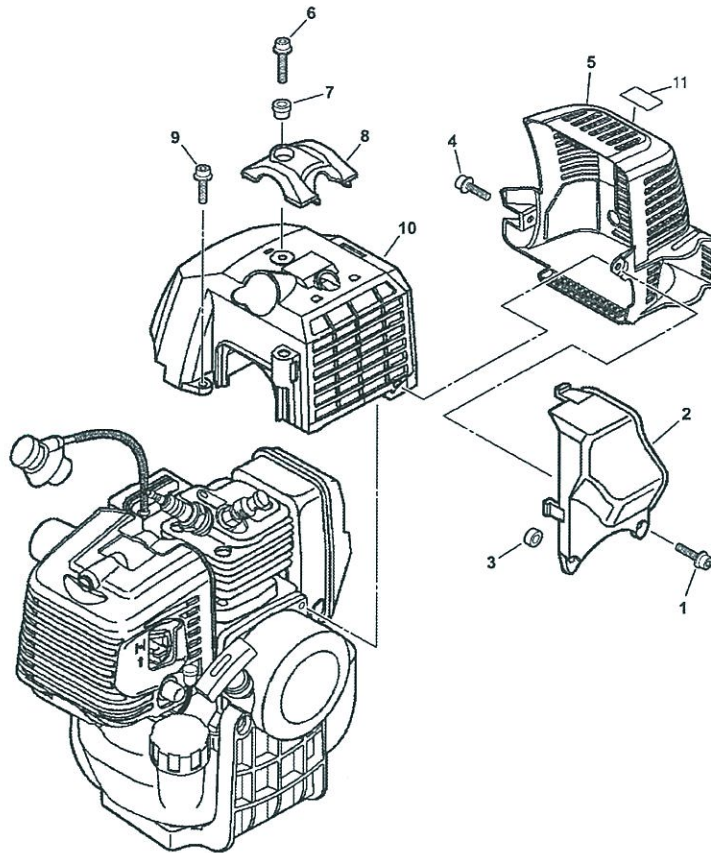
PARTS CATALOG

EARTH AUGER

EA-410

EA-410

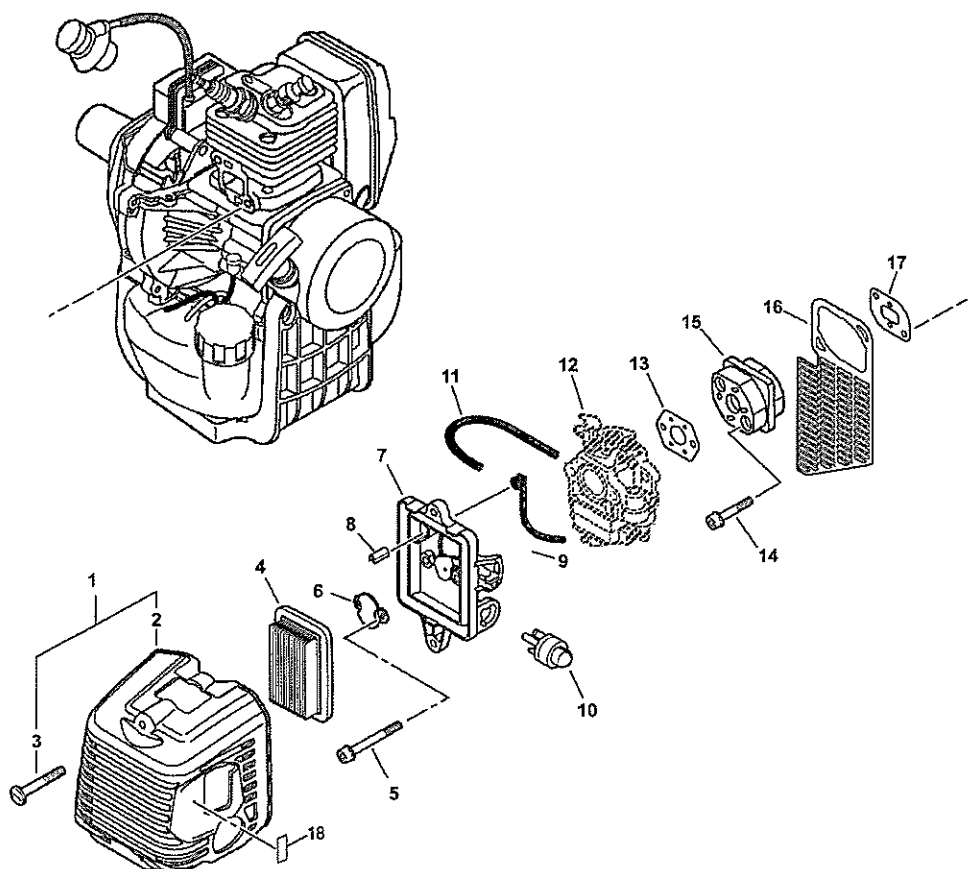
1 ENGINE COVER



KEY	LV	PART NUMBER	Q'TY	DESCRIPTION	REMARKS
1		900106-05025	2	BOLT, H.S. 5*25	
2		A161-000080	1	DUCT,AIR	
3		V354-000100	1	COLLAR,6	
4		900106-05012	1	BOLT, H.S. 5*12	
5		A320-000111	1	COVER,MUFFLER	
6		900106-05020	1	BOLT, H.S. 5*20	
7		V353-000020	1	COLLAR,5	
8		A162-000020	1	GUARD, TOP	
9		900106-05012	1	BOLT, H.S. 5*12	
10		A160-000242	1	COVER,CYLINDER	
11		X505-002310	1	LABEL,CAUTION	

EA-410

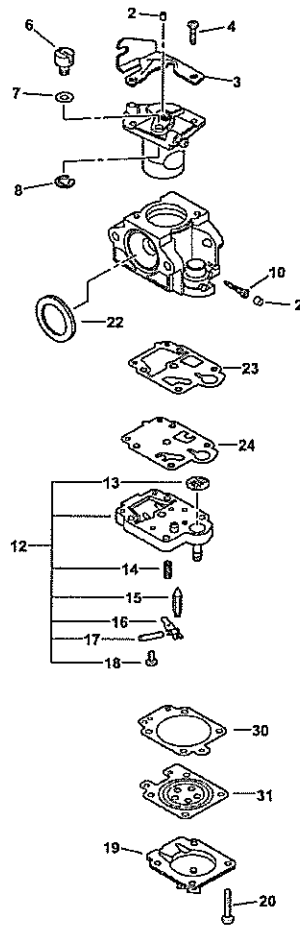
2 AIR CLEANER



KEY	LV	PART NUMBER	QTY	DESCRIPTION	REMARKS
1		P021-012110	1	LID,CLEANER ASY	
2	+	A232-000390	1	LID,CLEANER	
3	+	V253-000100	2	SCREW,5	
4		A226-000360	1	ELEMENT, AIR FILTER	
5		900105-05055	2	BOLT, H.S. 5*55	
6		A244-000010	1	PLATE,PREVENT	
7		P021-009590	1	CASE, AIR CLEANER	
8		A239-000050	1	PIPE, INTAKE	
9		132012-39331	1	PIPE	
10		123181-39130	1	PUMP, PRIMER	
11		V471-001560	1	PIPE	
12		A021-001172	1	CARBURETOR,DIAPHRAGM	
13		V103-000080	1	GASKET,INTAKE	
14		900106-05025	2	BOLT, H.S. 5*25	
15		A200-000060	1	INSULATOR,INTAKE	
16		A128-000060	1	PLATE,DUST	
17		V103-000070	1	GASKET,INTAKE	
18		890332-52730	1	LABEL, CHOKE	

EA-410

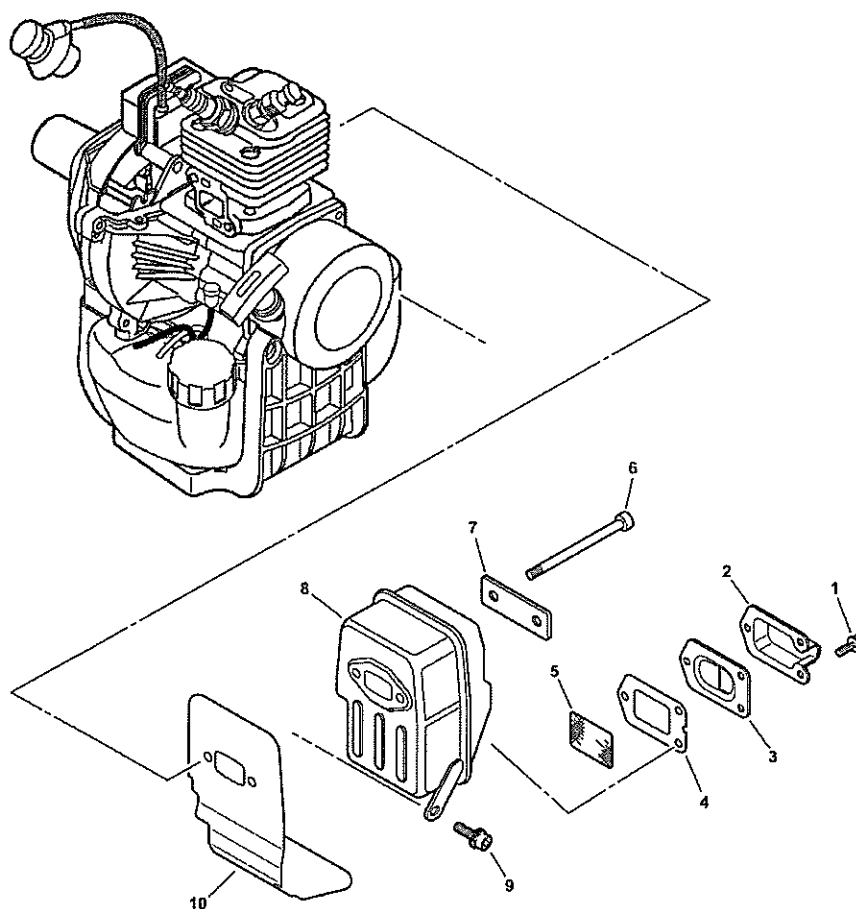
3 CARBURETOR



KEY	LV	PART NUMBER	QTY	DESCRIPTION	REMARKS
		A021-001172	1	CARBURETOR,DIAPHRAGM	
2	+	A259-000000	2	CAP,LIMITER	
3	+	P003-000180	1	BRACKET CABLE	
4	+	123114-40630	2	SCREW	
6	+	123172-45130	1	SWIVEL	
7	+	123149-54230	1	WASHER	
8	+	123173-07930	1	CLIP	
10	+	P003-001130	1	NEEDLE, HIGH SPEED	
12	+	P003-001490	1	BODY ASSEMBLY, PUMP	
13	++	123126-10631	1	SCREEN, INLET	
14	++	123122-05560	1	SPRING, METER. LEVER	
15	++	123137-19830	1	VALVE, INLET NEEDLE	
16	++	123123-03930	1	LEVER, METERING	
17	++	123138-03930	1	PIN, METERING LEVER	
18	++	123139-05560	1	SCREW, M. LEVER PIN	
19	+	P003-001500	1	COVER, PRIMER PUMP	
20	+	123144-44330	4	SCREW	
22	+	123143-12110	1	RING, PACKING	
23	+	P003-000100	1	GASKET, PUMP	
24	+	123112-40630	1	DIAPHRAGM, PUMP	
30	+	123140-27230	1	GASKET,M. DIAPHRAGM	
31	+	P003-001850	1	DIAPHRAGM, METERING	

EA-410

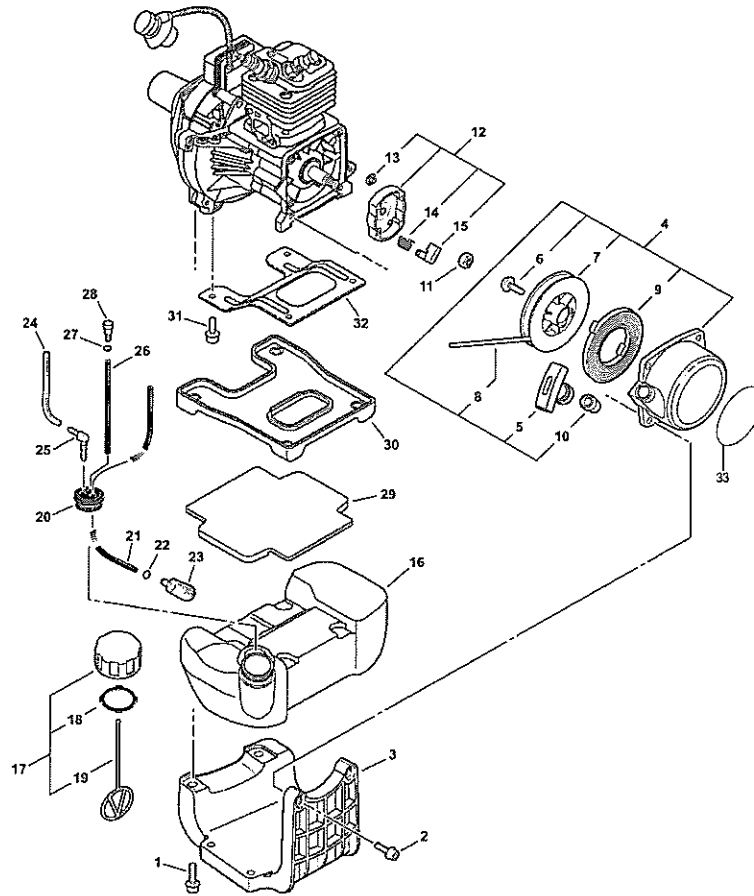
4 MUFFLER



KEY	LV	PART NUMBER	Q'TY	DESCRIPTION	REMARKS
1		900242-04010	3	SCREW 4*10	
2		A313-000340	1	GUIDE,EXH	
3		145863-04560	1	HOLDER, SCREEN	
4		145866-42031	1	GASKET, MUFFLER LID	
5		145862-40630	1	SCREEN, MUFFLER	
6		900105-06060	2	BOLT, H.S. 6*60	
7		V150-000550	1	PLATE,EYE	
8		A300-000281	1	MUFFLER,EXHAUST	
9		900162-05012	1	BOLT, H.S. 5*12	
10		V104-000241	1	GASKET,EXHAUST	

EA-410

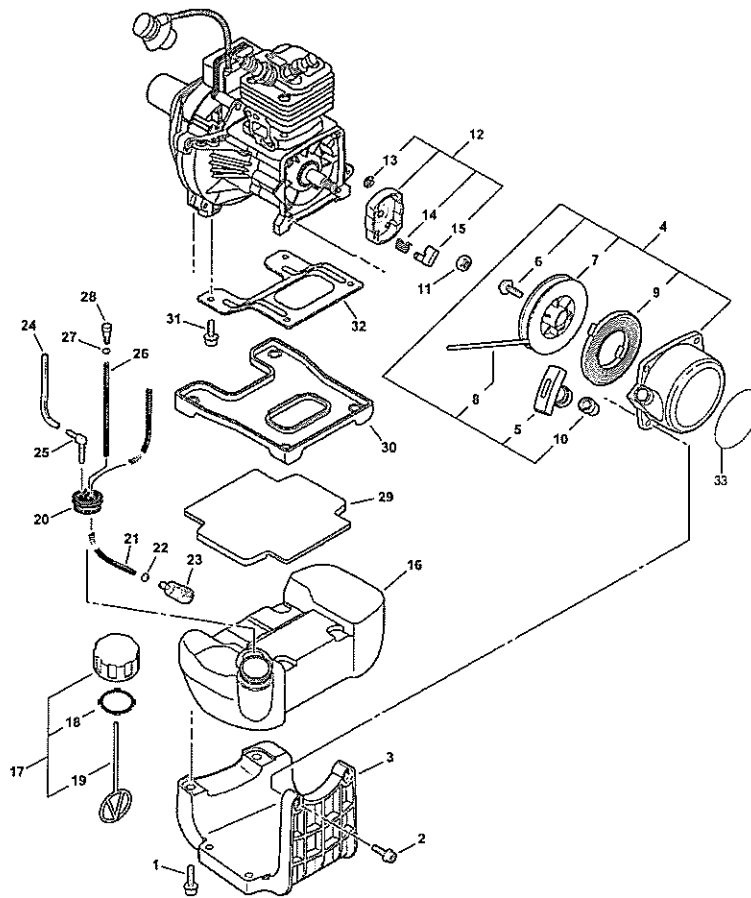
5 FUEL TANK



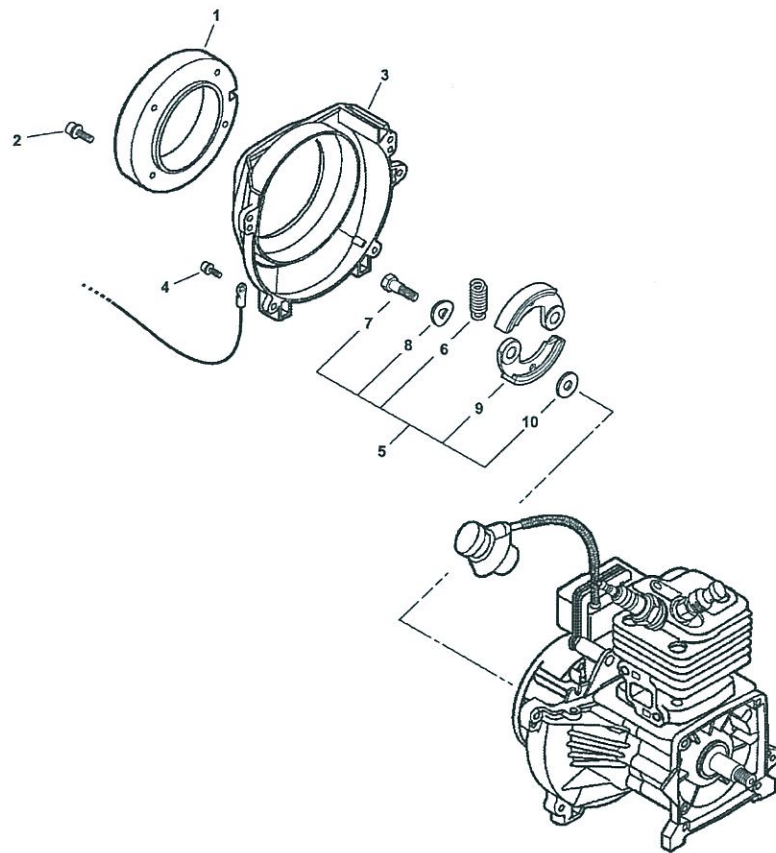
KEY	LV	PART NUMBER	Q'TY	DESCRIPTION	REMARKS
1		900106-05020	2	BOLT, H.S. 5*20	
2		900106-05025	2	BOLT, H.S. 5*25	
3		A393-000050	1	BRACKET,FUEL TANK	
4		A051-000190	1	STARTER,RECOIL	
5	+	177228-27030	1	GRIP, STARTER	
6	+	177236-06910	1	SCREW	
7	+	P022-002080	1	DRUM, STARTER	
8	+	177226-06310	1	ROPE, STARTER	
9	+	177220-06310	1	SPRING, REWIND	
10	+	177227-42030	1	GUIDE, ROPE	
11		900502-00008	1	NUT 8 (3N)	
12		A052-000011	1	PULLEY,ASM STARTER	
13	+	P022-002100	1	E-RING	
14	+	177234-40630	1	SPRING, RETURN	
15	+	177218-40630	1	PAWL, STARTER	
16		A350-000131	1	TANK,FUEL	
17		131004-55530	1	CAP ASSY, FUEL TANK	
18	+	131016-55830	1	GASKET, FUEL CAP	
19	+	131051-56030	1	CLIP, FUEL CAP	
20		132115-55930	1	GROMMET, FUEL	
21		132010-53630	1	PIPE	
22		132013-26630	1	CLIP	
23		131205-19831	1	STRAINER, FUEL	
24		437215-20760	1	PIPE 3*6*60	
25		V186-000080	1	JOINT,PIPE	
26		132012-02960	1	PIPE, FUEL	

EA-410

5 FUEL TANK



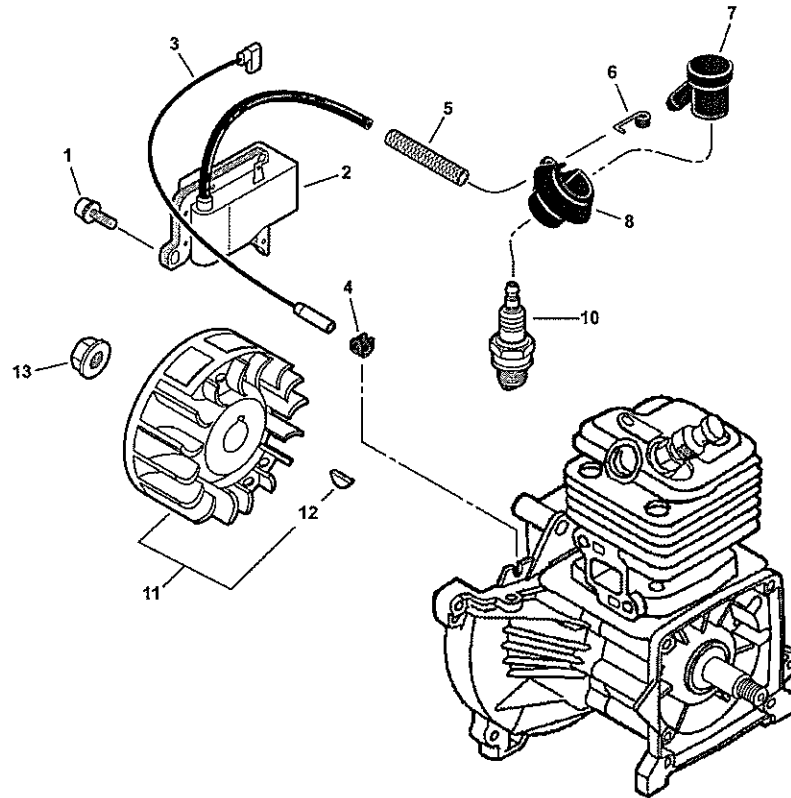
KEY	LV	PART NUMBER	Q'TY	DESCRIPTION	REMARKS
27		132013-26630	1	CLIP	
28		131300-56431	1	VENT ASSEMBLY, FUEL	
29		A390-000010	1	SEAT, FUEL TANK	
30		A390-000000	1	SEAT, FUEL TANK	
31		900106-05012	4	BOLT, H.S. 5*12	
32		A393-000030	1	BRACKET, FUEL TANK	
33		X547-001460	1	LABEL, ECHO	



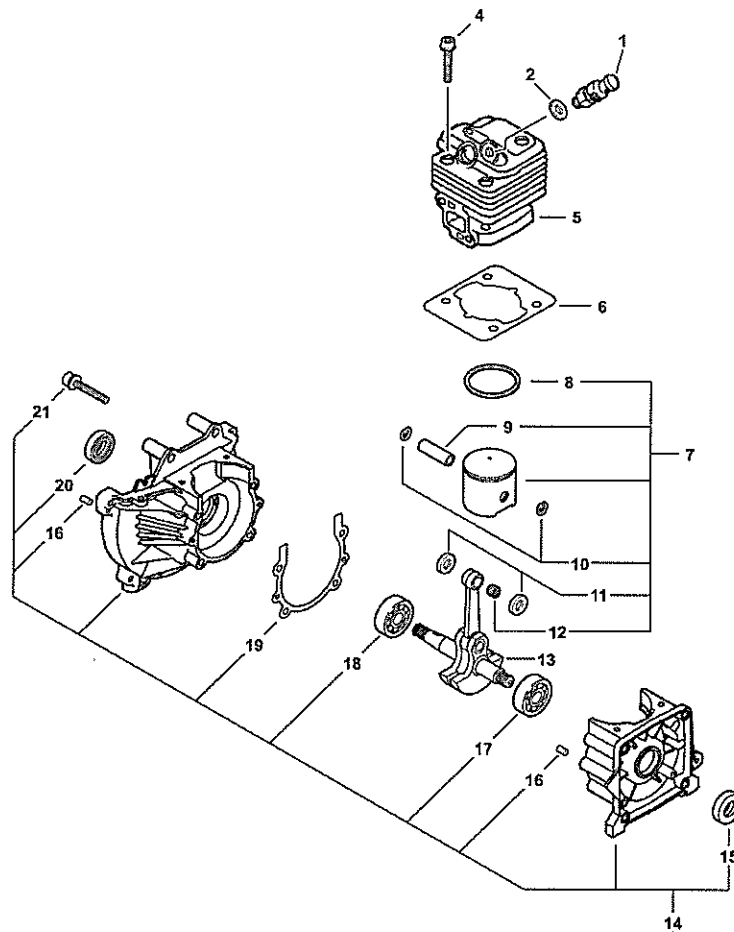
KEY	LV	PART NUMBER	Q'TY	DESCRIPTION	REMARKS
1		A551-000041	1	PLATE,CLUTCH	
2		900162-05020	4	BOLT, H.S. 5*20	
3		A172-000230	1	COVER,FAN	
4		900162-05020	4	BOLT, H.S. 5*20	
5		P021-002481	1	CLUTCH ASY	
6	+	V451-000480	1	SPRING,TENSION	
7	+	A557-000000	2	SHAFT,CLUTCH	
8	+	V346-000000	2	WASHER,WAVE	
9	+	A553-000030	2	ARM,CLUTCH	
10	+	175049-03920	2	WASHER	

EA-410

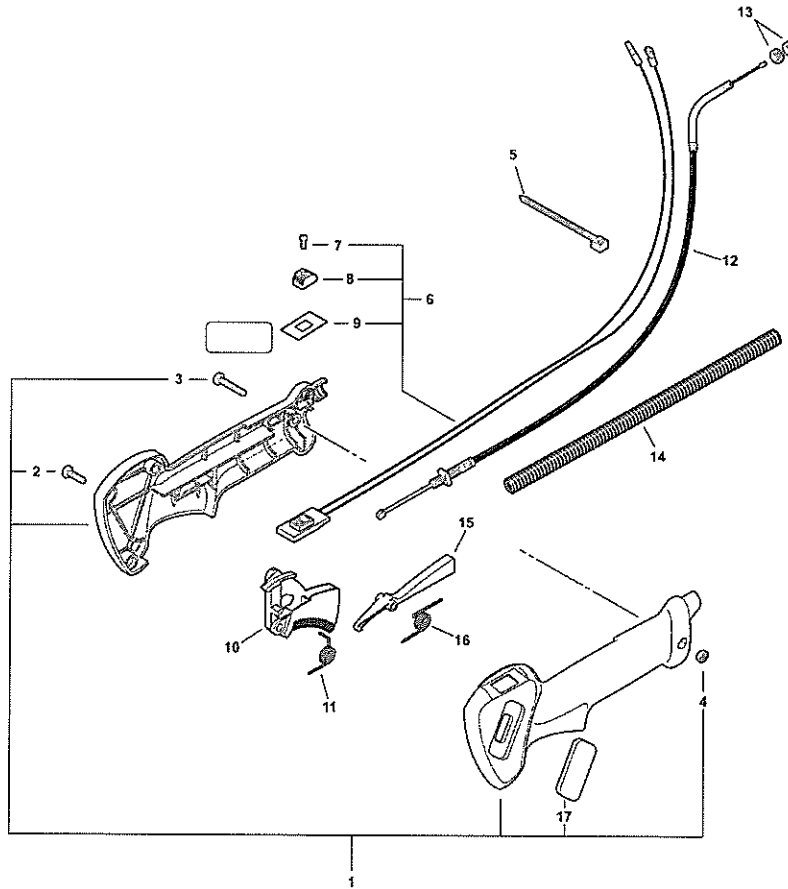
7 MAGNETO



KEY	LV	PART NUMBER	Q'TY	DESCRIPTION	REMARKS
1		900162-05020	2	BOLT, H.S. 5*20	
2		A411-000050	1	COIL,IGNITION	
3		162010-55630	1	LEAD, GROUND	
4		156114-04920	1	GROMMET	
5		V475-001610	1	TUBE	
6		A426-000000	1	TERMINAL, SPARKPLUG	
7		A427-000000	1	CAP, SPARK PLUG	
8		V141-000020	1	GROMMET, PLUG	
10		159010-10230	1	PLUG, SPARK (BPMR-7A)	
11		P021-005911	1	ROTOR, MAGNETO KIT	
12	+	900323-03014	1	KEY WOODRUFF	
13		900519-00010	1	NUT, FLANGE 10	



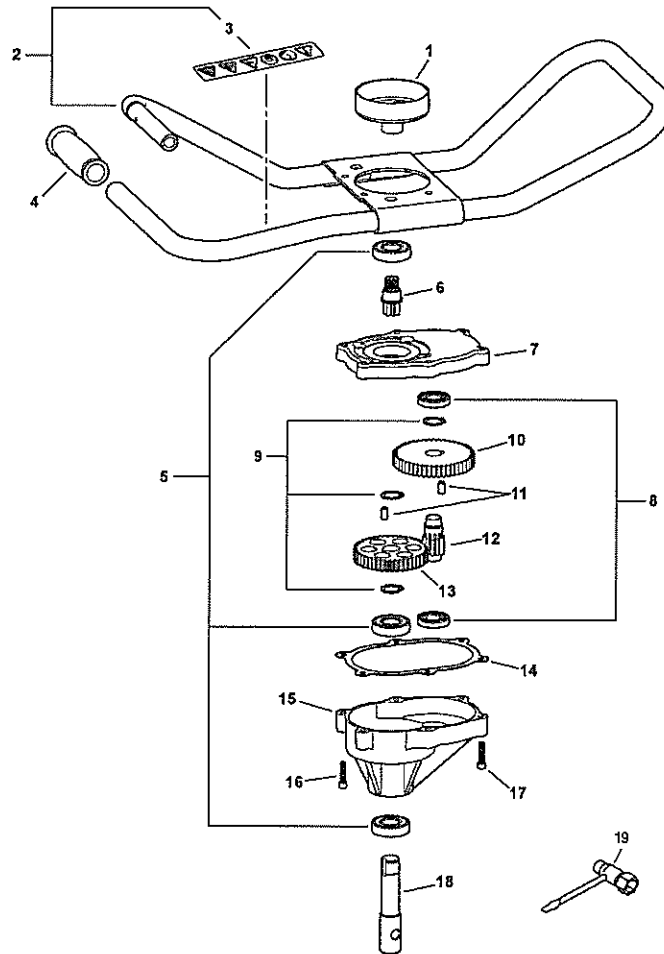
KEY	LV	PART NUMBER	Q'TY	DESCRIPTION	REMARKS
1		A014-000030	1	DECOMP,ASM	
2		V109-000150	1	GASKET	
4		900162-05020	4	BOLT, H.S. 5*20	
5		A130-000880	1	CYLINDER	
6		V100-000040	1	GASKET,CYL	
7		P021-014260	1	PISTON KIT	
8	+	100011-10530	1	RING, PISTON	
9	+	V608-000000	1	PIN,ENG 10	
10	+	V580-000010	2	RING,END	
11	+	V307-000060	2	WASHER,CIRCULAR 10	
12	+	V555-000010	1	BEARING,NEEDLE 10	
13		A011-000120	1	CRANKSHAFT,ASM	
14		P021-002471	1	CRANKCASE SET	
15	+	100213-05530	1	OILSEAL	
16	+	100215-03930	4	PIN, DOWEL	
17	+	94035-36201	1	BEARING BALL	
18	+	900810-36202	1	BEARING, BALL 6202	
19	+	V102-000001	1	GASKET,CRANKCASE	
20	+	100213-00310	1	OILSEAL	
21	+	900162-05035	4	BOLT, H.S. 5*35	



KEY	LV	PART NUMBER	Q'TY	DESCRIPTION	REMARKS
1		P021-002612	1	GRIP ASY,F-HANDLE	
2	+	900253-04016	3	SCREW 4*16	
3	+	900235-05030	1	SCREW 5*30	
4	+	900500-00005	1	NUT 5	
17	+	V162-000130	1	PLUG	
5		178121-10050	2	BAND	
6		A440-000382	1	SWITCH,ON OFF	
7	+	91545-03010	1	SCREW TAPTITE-P	
8	+	163410-49231	1	KNOB, SWITCH	
9	+	890157-12330	1	LABEL, SWITCH	
10		C450-000022	1	TRIGGER,THROTTLE	
11		V452-000050	1	SPRING,TORSION	
12		V430-000490	1	CABLE,BOWDEN	
13		900502-00006	2	NUT 6 (3N)	
14		V475-004360	1	TUBE	
15		C460-000011	1	LOCKOUT,THROTTLE	
16		V452-000060	1	SPRING,TORSION	

EA-410

10 GEAR CASE



KEY	LV	PART NUMBER	Q'TY	DESCRIPTION	REMARKS
1		A556-000490	1	DRUM, CLUTCH	
2		C080-000001	1	HANDLE,ASM	
3	+	X505-000920	1	LABEL,CAUTION	
4		C403-000050	1	GRIP,HANDLE	
5		V713-000000	3	BEARING,3/4 BALL	
6		C534-000141	1	SHAFT,GEAR	
7		C531-000930	1	CASE,GEAR	
8		V712-000000	2	BEARING,5/8 BALL	
9		V582-000000	3	RING,SNAP	
10		V650-000090	1	GEAR,SPUR	
11		V624-000020	2	PIN,STRAIGHT 6	
12		C534-000150	1	SHAFT,GEAR	
13		V650-000100	1	GEAR,SPUR	
14		V110-000020	1	GASKET,GEAR CASE	
15		C531-000160	1	CASE,GEAR	
16		95070-17200	4	SCREW,SOCKET	
17		95070-17150	2	SCREW,SOCKET	
18		C504-000120	1	SHAFT,DRIVE	
19		X602-000020	1	TOOL,WRENCH	

Index

Patrs Number	Key No.	Patrs Number	Key No.	Patrs Number	Key No.
100011-10530	8 - 8	900105-05055	2 - 5	A320-000111	1 - 5
100213-00310	8 - 20	900105-06060	4 - 6	A350-000131	5 - 16
100213-05530	8 - 15	900106-05012	1 - 4	A390-000000	5 - 30
100215-03930	8 - 16	900106-05012	1 - 9	A390-000010	5 - 29
123112-40630	3 - 24	900106-05012	5 - 31	A393-000030	5 - 32
123114-40630	3 - 4	900106-05020	1 - 6	A393-000050	5 - 3
123122-05560	3 - 14	900106-05020	5 - 1	A411-000050	7 - 2
123123-03930	3 - 16	900106-05025	1 - 1	A426-000000	7 - 6
123126-10631	3 - 13	900106-05025	2 - 14	A427-000000	7 - 7
123137-19830	3 - 15	900106-05025	5 - 2	A440-000382	9 - 6
123138-03930	3 - 17	900162-05012	4 - 9	A551-000041	6 - 1
123139-05560	3 - 18	900162-05020	6 - 2	A553-000030	6 - 9
123140-27230	3 - 30	900162-05020	6 - 4	A556-000490	10 - 1
123143-12110	3 - 22	900162-05020	7 - 1	A557-000000	6 - 7
123144-44330	3 - 20	900162-05020	8 - 4	C080-000001	10 - 2
123149-54230	3 - 7	900162-05035	8 - 21	C403-000050	10 - 4
123172-45130	3 - 6	900235-05030	9 - 3	C450-000022	9 - 10
123173-07930	3 - 8	900242-04010	4 - 1	C460-000011	9 - 15
123181-39130	2 - 10	900253-04016	9 - 2	C504-000120	10 - 18
131004-55530	5 - 17	900323-03014	7 - 12	C531-000160	10 - 15
131016-55830	5 - 18	900500-00005	9 - 4	C531-000930	10 - 7
131051-56030	5 - 19	900502-00006	9 - 13	C534-000141	10 - 6
131205-19831	5 - 23	900502-00008	5 - 11	C534-000150	10 - 12
131300-56431	5 - 28	900519-00010	7 - 13	P003-000100	3 - 23
132010-53630	5 - 21	900810-36202	8 - 18	P003-000180	3 - 3
132012-02960	5 - 26	91545-03010	9 - 7	P003-001130	3 - 10
132012-39331	2 - 9	94035-36201	8 - 17	P003-001490	3 - 12
132013-26630	5 - 22	95070-17150	10 - 17	P003-001500	3 - 19
132013-26630	5 - 27	95070-17200	10 - 16	P003-001850	3 - 31
132115-55930	5 - 20	A011-000120	8 - 13	P021-002471	8 - 14
145862-40630	4 - 5	A014-000030	8 - 1	P021-002481	6 - 5
145863-04560	4 - 3	A021-001172	2 - 12	P021-002612	9 - 1
145866-42031	4 - 4	A021-001172	3 -	P021-005911	7 - 11
156114-04920	7 - 4	A051-000190	5 - 4	P021-009590	2 - 7
159010-10230	7 - 10	A052-000011	5 - 12	P021-012110	2 - 1
162010-55630	7 - 3	A128-000060	2 - 16	P021-014260	8 - 7
163410-49231	9 - 8	A130-000880	8 - 5	P022-002080	5 - 7
175049-03920	6 - 10	A160-000242	1 - 10	P022-002100	5 - 13
177218-40630	5 - 15	A161-000080	1 - 2	V100-000040	8 - 6
177220-06310	5 - 9	A162-000020	1 - 8	V102-000001	8 - 19
177226-06310	5 - 8	A172-000230	6 - 3	V103-000070	2 - 17
177227-42030	5 - 10	A200-000060	2 - 15	V103-000080	2 - 13
177228-27030	5 - 5	A226-000360	2 - 4	V104-000241	4 - 10
177234-40630	5 - 14	A232-000390	2 - 2	V109-000150	8 - 2
177236-06910	5 - 6	A239-000050	2 - 8	V110-000020	10 - 14
178121-10050	9 - 5	A244-000010	2 - 6	V141-000020	7 - 8
437215-20760	5 - 24	A259-000000	3 - 2	V150-000550	4 - 7
890157-12330	9 - 9	A300-000281	4 - 8	V162-000130	9 - 17
890332-52730	2 - 18	A313-000340	4 - 2	V186-000080	5 - 25

Index

Patrs Number	Key No.	Patrs Number	Key No.	Patrs Number	Key No.
V253-000100	2 - 3				
V307-000060	8 - 11				
V346-000000	6 - 8				
V353-000020	1 - 7				
V354-000100	1 - 3				
V430-000490	9 - 12				
V451-000480	6 - 6				
V452-000050	9 - 11				
V452-000060	9 - 16				
V471-001560	2 - 11				
V475-001610	7 - 5				
V475-004360	9 - 14				
V555-000010	8 - 12				
V580-000010	8 - 10				
V582-000000	10 - 9				
V608-000000	8 - 9				
V624-000020	10 - 11				
V650-000090	10 - 10				
V650-000100	10 - 13				
V712-000000	10 - 8				
V713-000000	10 - 5				
X505-000920	10 - 3				
X505-002310	1 - 11				
X547-001460	5 - 33				
X602-000020	10 - 19				

YAMABIKO CORPORATION

7-2 SUEHIROCHO 1-CHOME, OHME, TOKYO 198-8760, JAPAN
PHONE: 81-428-32-6118. FAX: 81-428-32-6145.

