



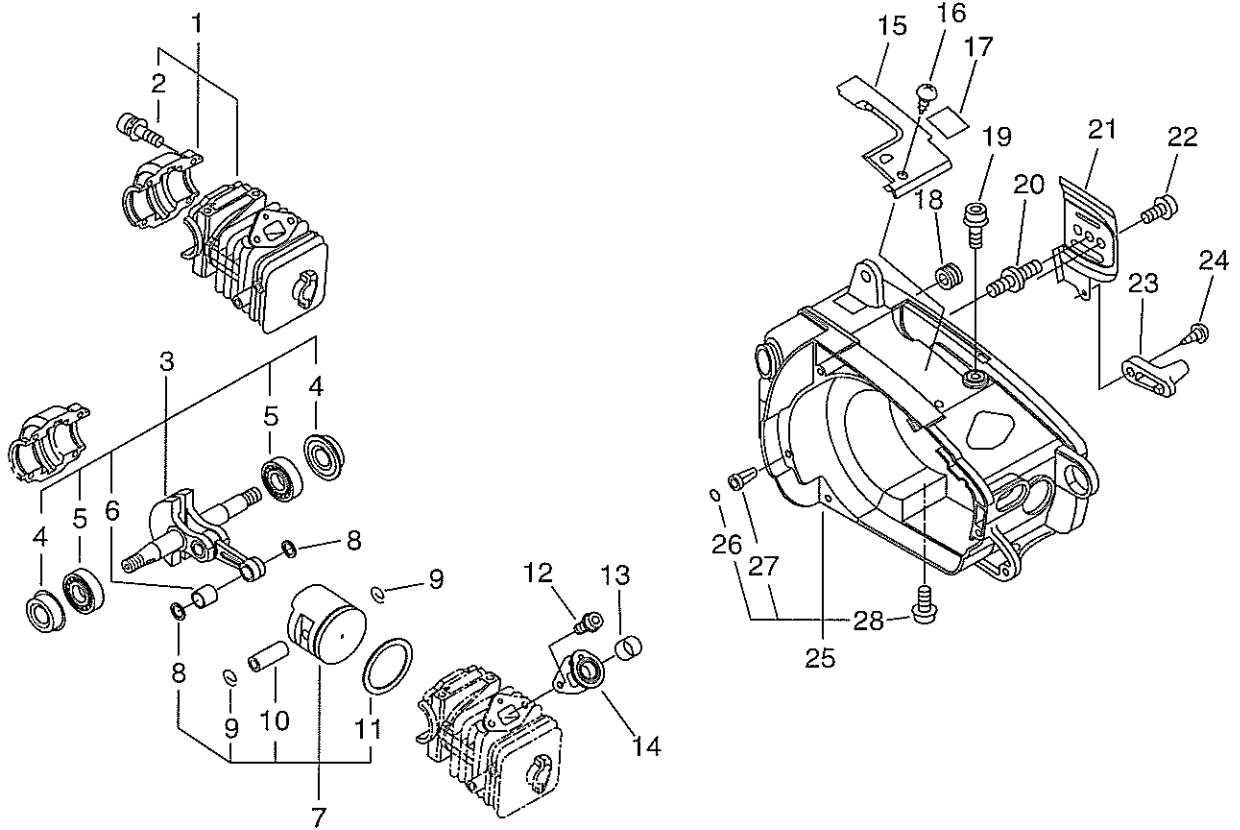
PARTS CATALOG

CHAIN SAW CS-260TES(36)

CE

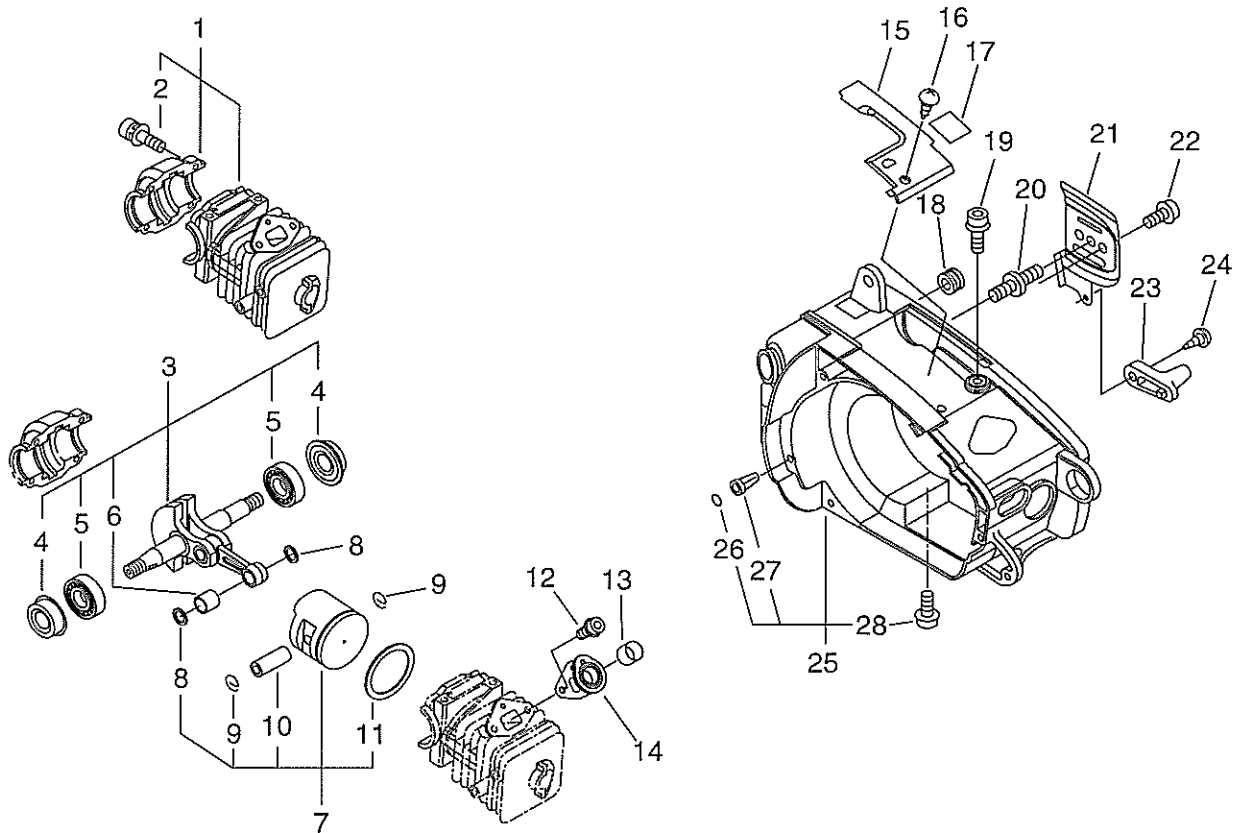
P014-002740-12Jb

CS-260TES(36) 1 CYLINDER, CRANKCASE, PISTON



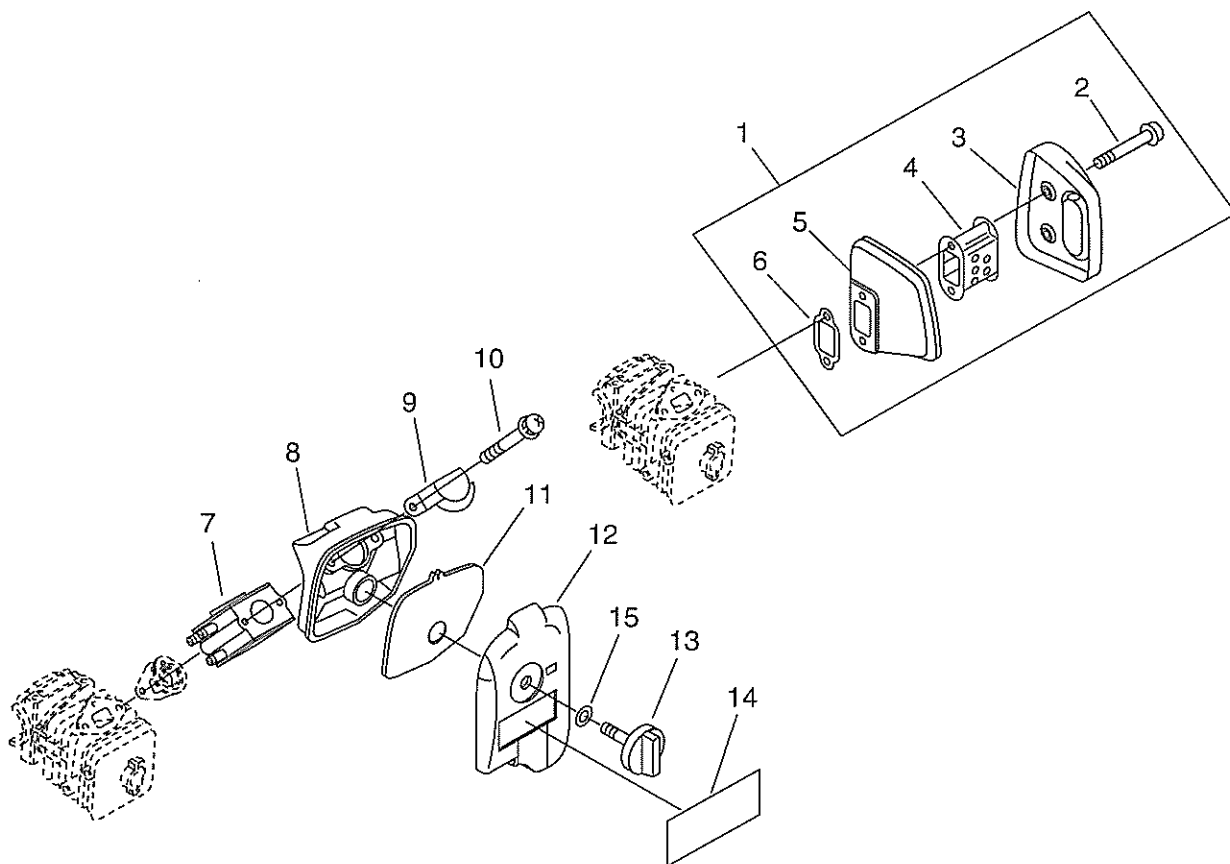
| KEY | LV | PART NUMBER | Q'TY | DESCRIPTION | REMARKS |
|-----|----|--------------|------|-----------------------|---------|
| 1 | | P021-011230 | 1 | CRANKCASE SET | |
| 2 | + | 900162-05022 | 4 | BOLT, H.S. 5*22 | |
| 3 | | P021-011221 | 1 | CRANKSHAFT ASY | |
| 4 | + | V505-000000 | 2 | SEAL,OIL | |
| 5 | + | 900800-36001 | 2 | BEARING, BALL 6001 | |
| 6 | + | V553-000020 | 1 | BEARING,NEEDLE 8 | |
| 7 | | P021-002150 | 1 | PISTON KIT | |
| 8 | + | 100014-55930 | 2 | SPACER, PISTON PIN | |
| 9 | + | 100015-04630 | 2 | CIRCLIP, PISTON PIN | |
| 10 | + | 100013-22330 | 1 | PIN, PISTON | |
| 11 | + | 100011-05731 | 1 | RING, PISTON | |
| 12 | | 900162-04012 | 2 | BOLT, H.S. 4*12 | |
| 13 | | V358-000021 | 1 | COLLAR,14 | |
| 14 | | A202-000001 | 1 | BELLOWS,INTAKE | |
| 15 | | A127-000021 | 1 | COVER,DUST | |
| 16 | | 900253-04012 | 2 | SCREW | |
| 17 | | X505-002440 | 1 | LABEL,CAUTION | |
| 18 | | 163911-30130 | 1 | PLUG | |
| 19 | | 900106-05016 | 2 | BOLT, H.S. 5*16 | |
| 20 | | V225-000030 | 1 | BOLT,STUD 8 | |
| 21 | | C305-000023 | 1 | PLATE, SPROCKET GUARD | |
| 22 | | V202-000011 | 2 | BOLT,4 | |
| 23 | | 433026-35430 | 1 | CATCHER, CHAIN | |
| 24 | | 900253-05020 | 1 | SCREW 5*20 | |
| 25 | | P021-003438 | 1 | COVER ENGINE | |
| 26 | + | 900724-00004 | 1 | O-RING (S-4) | |

CS-260TES(36) 1 CYLINDER, CRANKCASE, PISTON



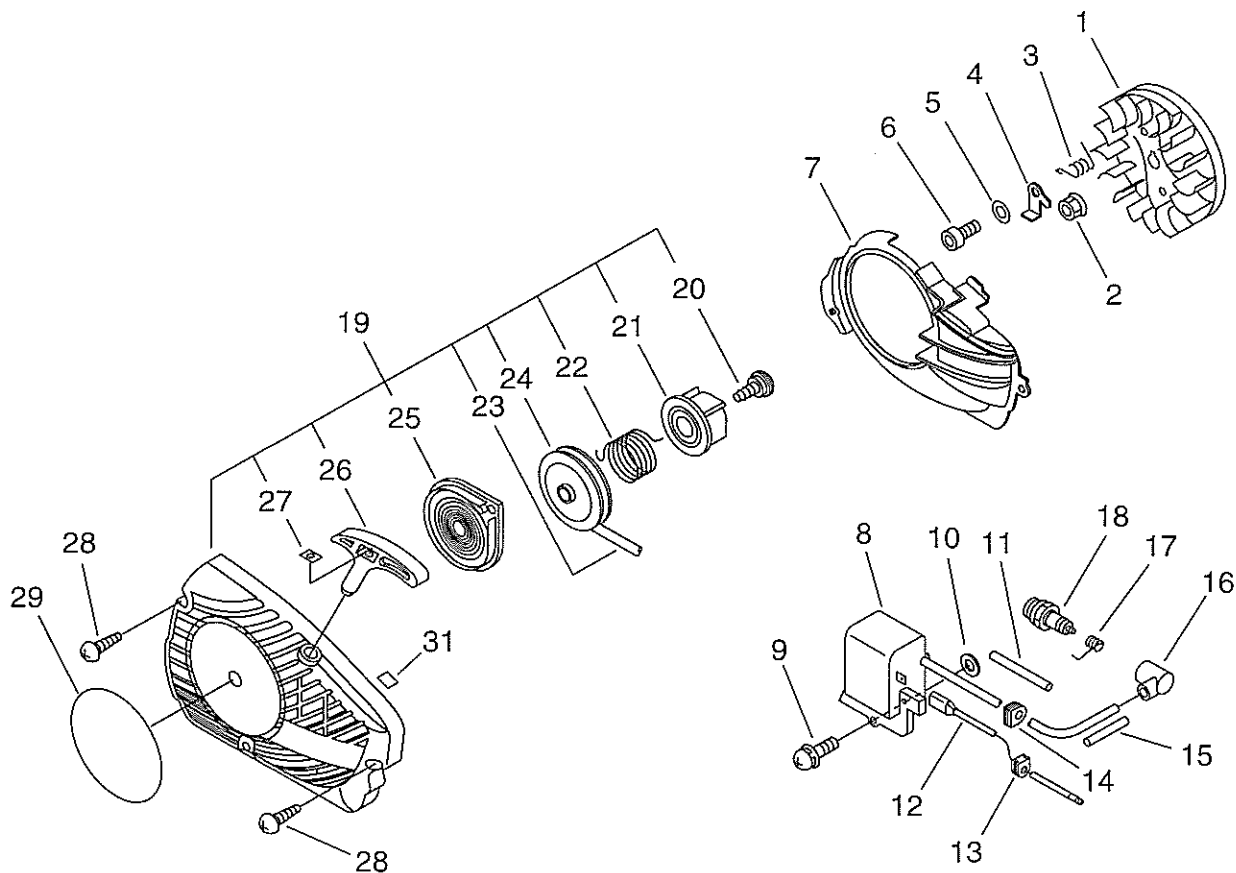
| KEY | LV | PART NUMBER | Q'TY | DESCRIPTION | REMARKS |
|-----|----|--------------|------|-----------------|---------|
| 27 | + | 436114-13930 | 1 | VALVE, CHECK | |
| 28 | + | 900106-05025 | 2 | BOLT, H.S. 5*25 | |

CS-260TES(36) 2 AIR CLEANER, MUFFLER



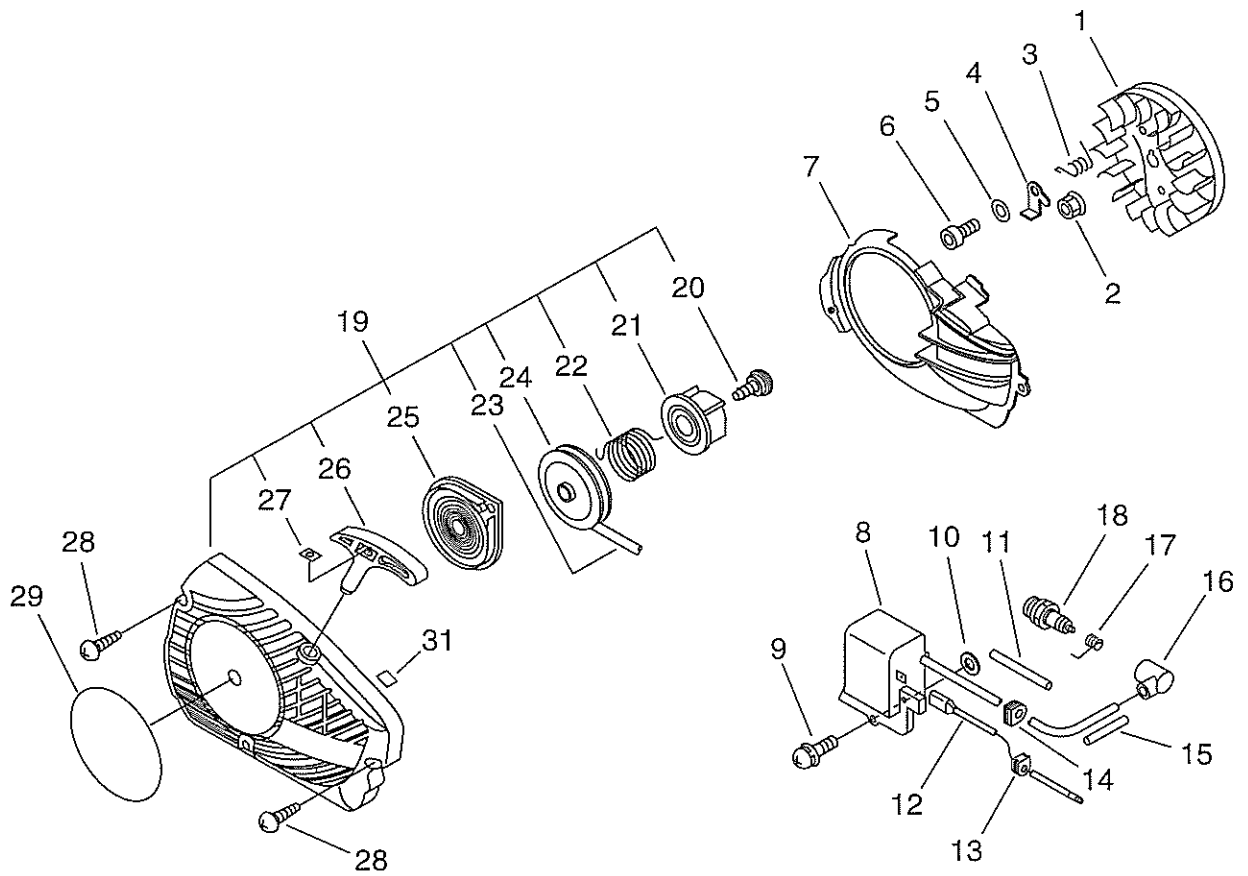
| KEY | LV | PART NUMBER | Q'TY | DESCRIPTION | REMARKS |
|-----|----|--------------|------|----------------------|---------|
| 1 | | P021-001930 | 1 | MUFFLER ASY | |
| 2 | + | 91107-05040 | 2 | BOLT HSH FLANGE | |
| 3 | + | A303-000000 | 1 | LID,MUFFLER | |
| 4 | + | A301-000000 | 1 | PLATE,MUFFLER | |
| 5 | + | A300-000130 | 1 | MUFFLER,EXHAUST | |
| 6 | + | 145510-13931 | 1 | GASKET, MUFFLER | |
| 7 | | A021-001402 | 1 | CARBURETOR,DIAPHRAGM | |
| 8 | | A225-000025 | 1 | CASE,CLEANER | |
| 9 | | A244-000000 | 1 | PLATE,PREVENT | |
| 10 | | 900238-05050 | 2 | SCREW 5*50 | |
| 11 | | A226-000051 | 1 | ELEMENT,AIR FILTER | |
| 12 | | A232-000061 | 1 | LID,CLEANER | |
| 13 | | A235-000040 | 1 | KNOB,CLEANER LID | |
| 14 | | X503-007630 | 1 | LABEL,MODEL | |
| 15 | | 131925-02310 | 1 | CUSHION | |

CS-260TES(36) 3 STARTER, MAGNETO



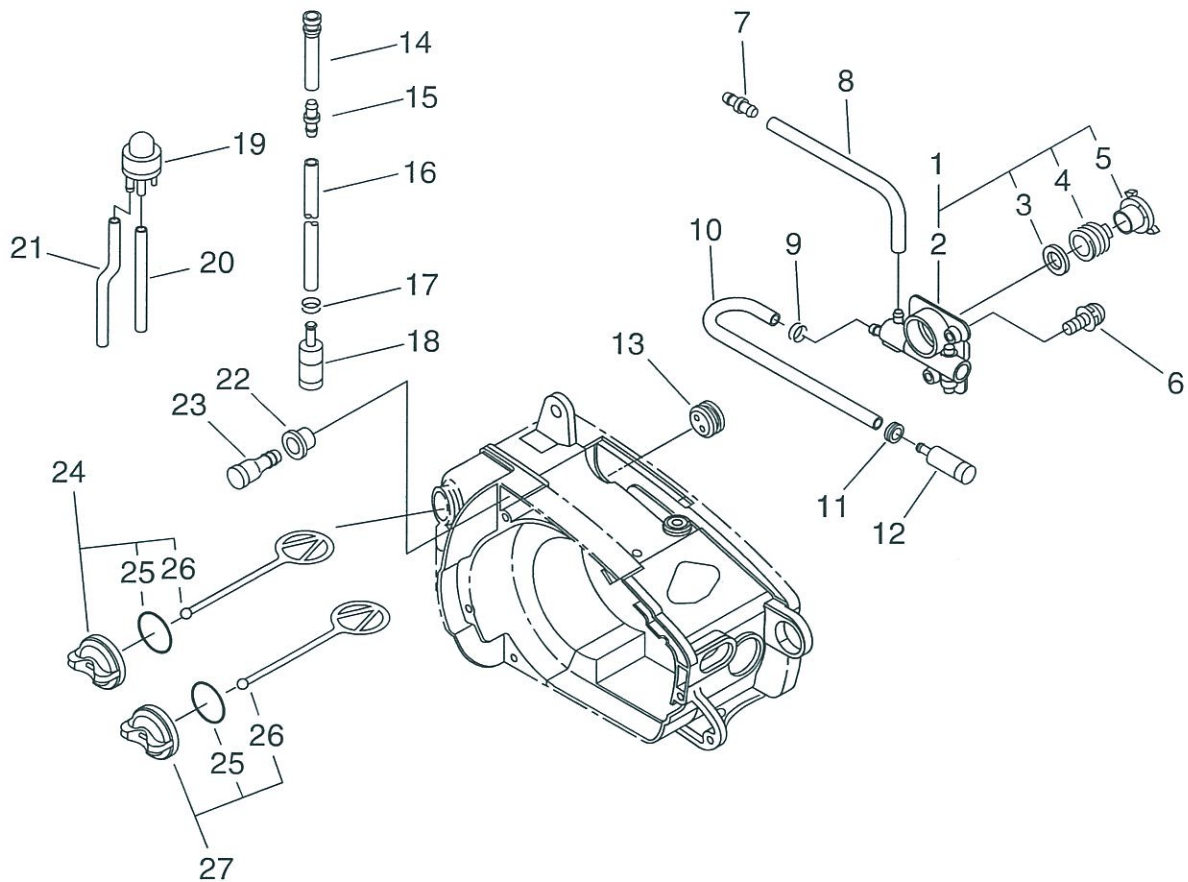
| KEY | LV | PART NUMBER | Q'TY | DESCRIPTION | REMARKS |
|-----|----|--------------|------|----------------------|---------|
| 1 | | A409-000040 | 1 | ROTOR,MAGNETO | |
| 2 | | 900515-00008 | 1 | NUT, FLANGE 8 | |
| 3 | | V452-000030 | 2 | SPRING,TORSION | |
| 4 | | A514-000020 | 2 | PAWL | |
| 5 | | 900603-00005 | 2 | WASHER 5 | |
| 6 | | V203-000100 | 2 | BOLT,5 | |
| 7 | | A172-000112 | 1 | COVER,FAN | |
| 8 | | A411-000340 | 1 | COIL, IGNITION | |
| 9 | | 900238-05022 | 2 | SCREW 5*22 | |
| 10 | | 150117-16430 | 2 | SPACER | |
| 11 | | V475-001900 | 1 | TUBE | |
| 12 | | V485-000140 | 1 | LEAD | |
| 13 | | 156114-07320 | 1 | GROMMET | |
| 14 | | 156110-04920 | 1 | BUSHING | |
| 15 | | V475-003550 | 1 | TUBE | |
| 16 | | A427-000013 | 1 | CAP,SPARK PLUG | |
| 17 | | A426-000010 | 1 | TERMINAL,SPARKPLUG | |
| 18 | | 159010-10230 | 1 | PLUG, SPARK (BPMR-7A | |
| 19 | | A051-002540 | 1 | STARTER,RECOIL ASY | |
| 20 | + | 177236-61830 | 1 | SCREW | |
| 21 | + | A507-000110 | 1 | CATCHER,PAWL | |
| 22 | + | V452-001320 | 1 | SPRING,TORSION | |
| 23 | + | P022-006220 | 1 | ROPE | |
| 24 | + | A506-000460 | 1 | REEL,ROPE | |
| 25 | + | P022-001330 | 1 | SPRING KIT, REWIND | |
| 26 | + | P022-001320 | 1 | GRIP, STARTER | |

CS-260TES(36) 3 STARTER, MAGNETO



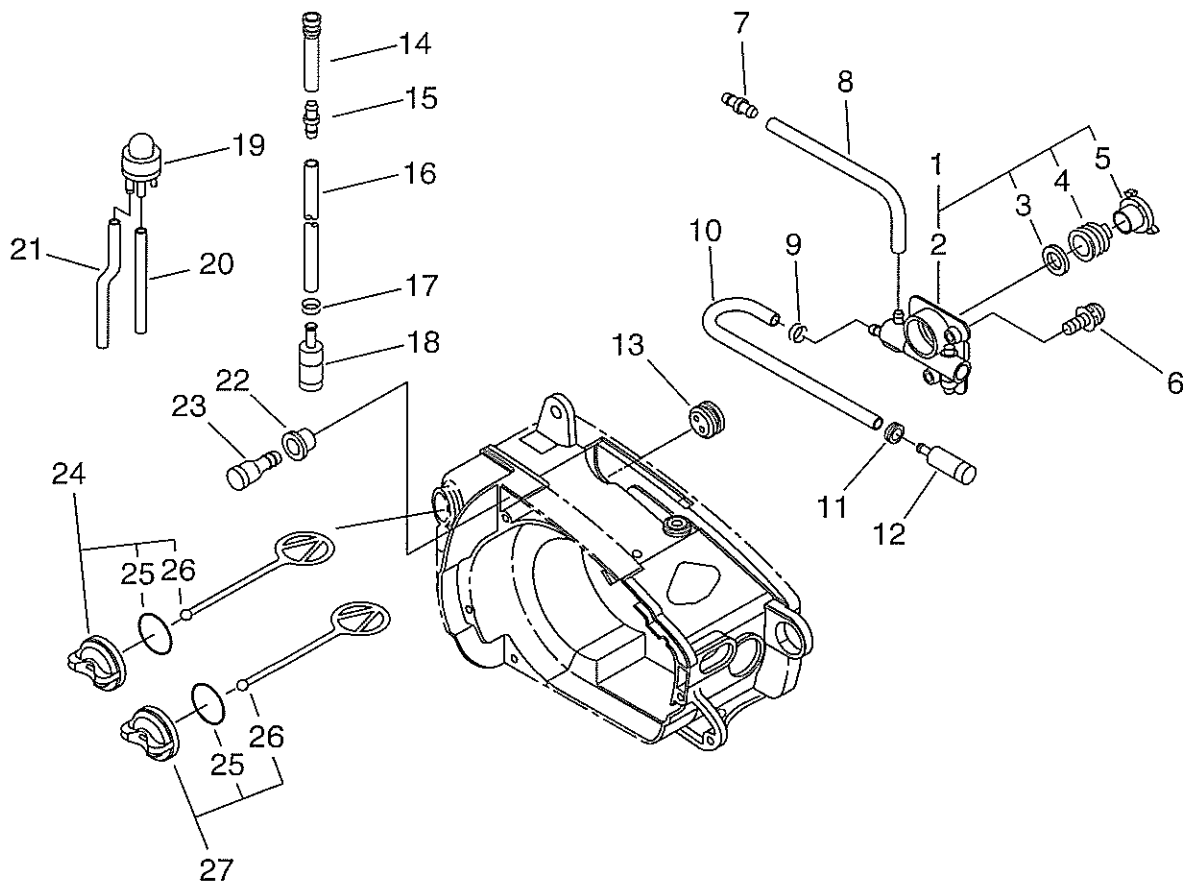
| KEY | LV | PART NUMBER | Q'TY | DESCRIPTION | REMARKS |
|-----|----|--------------|------|--------------------|---------|
| 27 | + | 177246-11120 | 1 | CLIP, STARTER ROPE | |
| 28 | | 900256-04016 | 3 | SCREW 4*16 | |
| 29 | | X502-000780 | 1 | LABEL,ECHO | |
| 31 | | 890631-38230 | 1 | LABEL, CAUTION | |

CS-260TES(36) 4 AUTO-OILER



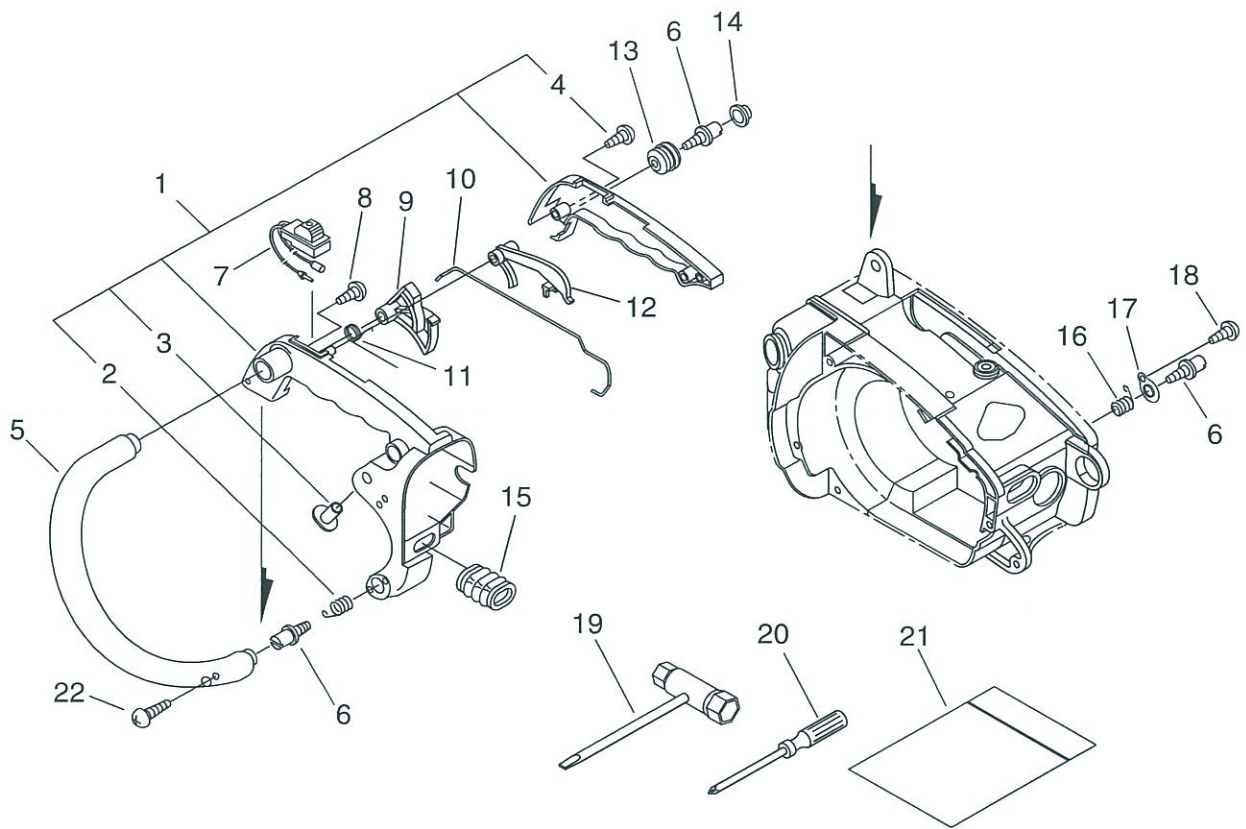
| KEY | LV | PART NUMBER | Q'TY | DESCRIPTION | REMARKS |
|-----|----|--------------|------|---------------------|---------|
| 1 | | P021-010890 | 1 | AUTO-OILER ASY | |
| 2 | + | C022-000020 | 1 | AUTO-OILER ASSEMBLY | |
| 3 | + | V308-000030 | 1 | WASHER,CIRCULAR 11 | |
| 4 | + | V652-000030 | 1 | GEAR,WORM | |
| 5 | + | V356-000290 | 1 | COLLAR,10 | |
| 6 | | 900238-04012 | 2 | SCREW 4*12 | |
| 7 | | V187-000010 | 1 | NIPPLE | |
| 8 | | 132012-11960 | 1 | PIPE 3* 6* 45 | |
| 9 | | V490-001230 | 1 | CLIP | |
| 10 | | 132010-22130 | 1 | PIPE, FUEL | |
| 11 | | 132115-01461 | 1 | GROMMET | |
| 12 | | 436205-02832 | 1 | STRAINER, OIL | |
| 13 | | 132115-44330 | 1 | GROMMET | |
| 14 | | V470-000321 | 1 | PIPE | |
| 15 | | V186-000510 | 1 | JOINT,PIPE | |
| 16 | | V471-001230 | 1 | PIPE | |
| 17 | | V490-001240 | 1 | CLIP | |
| 18 | | 131205-14931 | 1 | STRAINER,FUEL | |
| 19 | | 123181-39130 | 1 | PUMP, PRIMER | |
| 20 | | V471-001260 | 1 | PIPE | |
| 21 | | V471-001250 | 1 | PIPE | |
| 22 | | V137-000000 | 1 | GROMMET,FUEL | |
| 23 | | 131300-56431 | 1 | VENT ASSEMBLY, FUEL | |
| 24 | | P021-005591 | 1 | CAP ASY | |
| 25 | + | 900720-00018 | 1 | O-RING 18 | |
| 26 | + | A365-000050 | 1 | CONNECTOR,CAP | |

CS-260TES(36) 4 AUTO-OILER



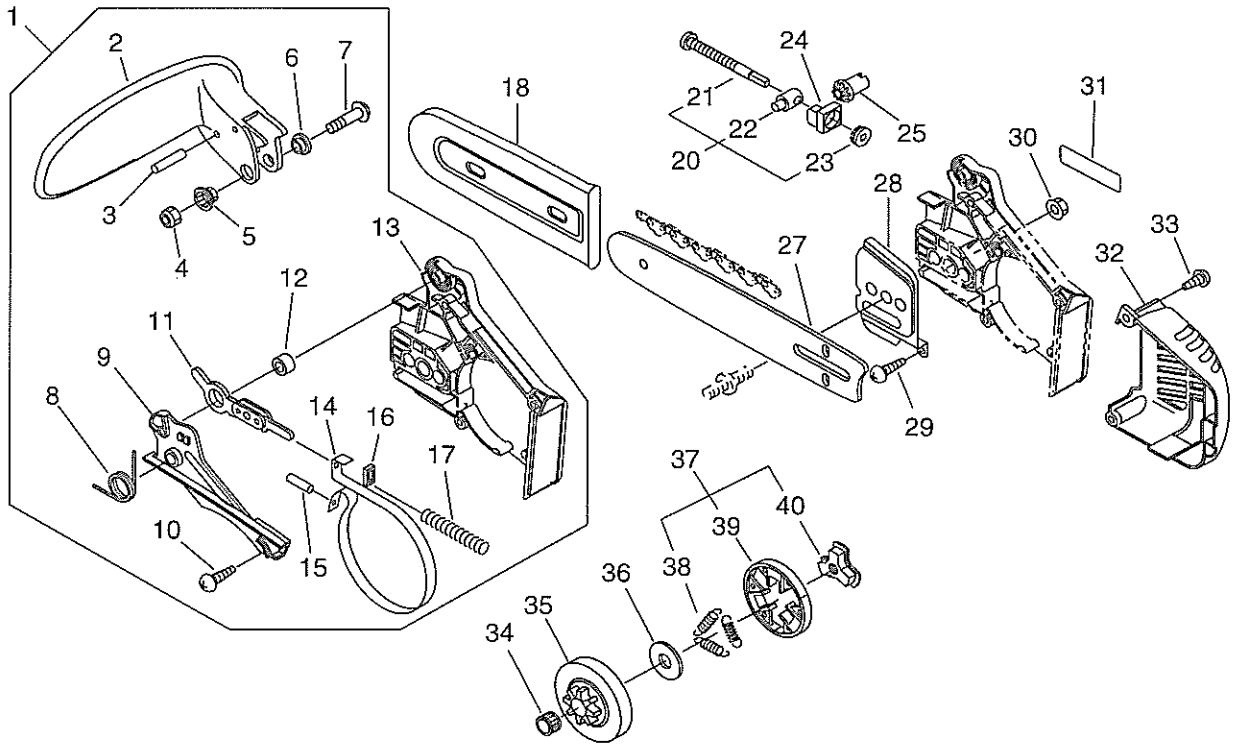
| KEY | LV | PART NUMBER | Q'TY | DESCRIPTION | REMARKS |
|-----|----|--------------|------|---------------|---------|
| 27 | | P021-005581 | 1 | OIL CAP ASY | |
| 25 | + | 900720-00018 | 1 | O-RING 18 | |
| 26 | + | A365-000050 | 1 | CONNECTOR,CAP | |

CS-260TES(36) 5 HANDLE



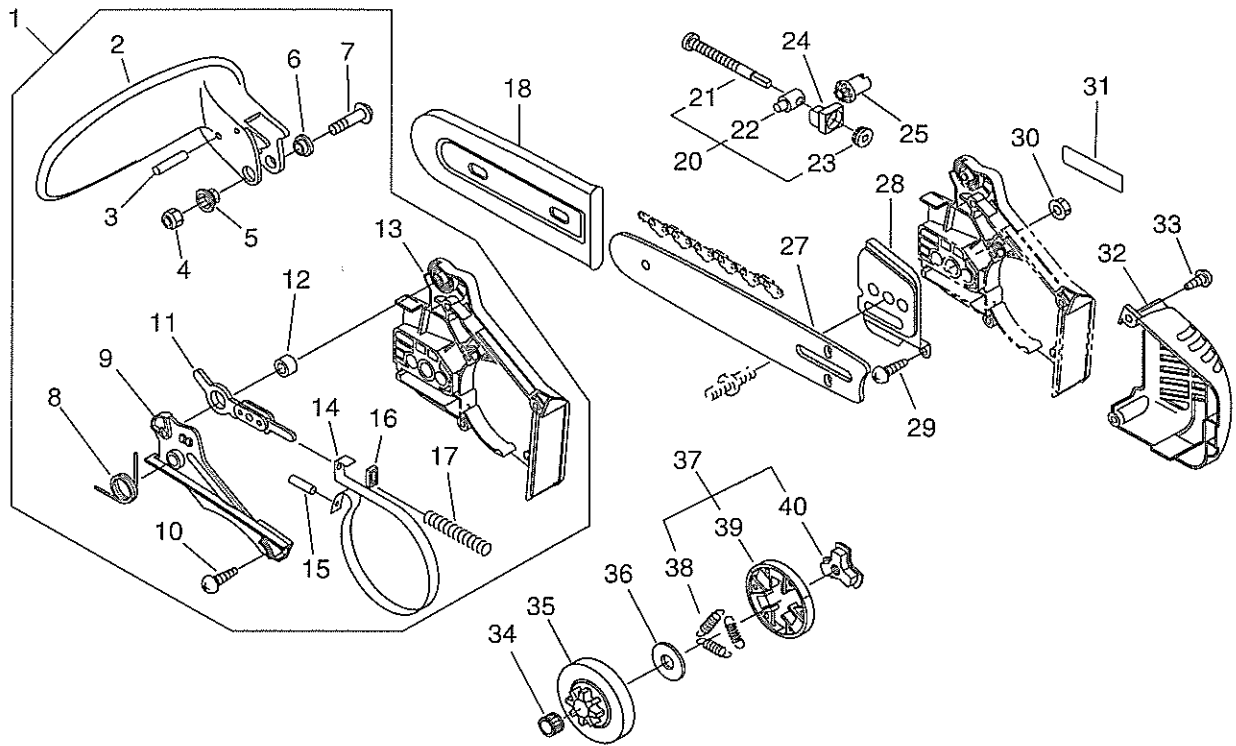
| KEY | LV | PART NUMBER | Q'TY | DESCRIPTION | REMARKS |
|-----|----|--------------|------|---------------------|---------|
| 1 | | P021-001965 | 1 | HANDLE SET, REAR | |
| 2 | + | V450-000340 | 1 | SPRING, COMPRESSION | |
| 3 | + | 130020-33330 | 2 | NUT | |
| 4 | + | 900256-04016 | 4 | SCREW 4*16 | |
| 5 | | C400-000050 | 1 | HANDLE, FRONT | |
| 6 | | V202-000000 | 3 | BOLT, 4 | |
| 7 | | A440-000211 | 1 | SWITCH, ON OFF | |
| 8 | | 900253-05020 | 1 | SCREW 5*20 | |
| 9 | | C450-000010 | 1 | TRIGGER, THROTTLE | |
| 10 | | C454-000051 | 1 | ROD, THROTTLE | |
| 11 | | V452-000010 | 1 | SPRING, TORSION | |
| 12 | | C460-000002 | 1 | LOCKOUT, THROTTLE | |
| 13 | | 100921-39131 | 1 | CUSHION | |
| 14 | | 100918-15130 | 1 | CAP | |
| 15 | | A239-000000 | 1 | PIPE, INTAKE | |
| 16 | | V450-000080 | 1 | SPRING, COMPRESSION | |
| 17 | | V150-000420 | 1 | PLATE, EYE | |
| 18 | | 900253-04012 | 1 | SCREW | |
| 19 | | X602-000080 | 1 | TOOL, WRENCH | |
| 20 | | 895812-03930 | 1 | DRIVER, SCREW 50 | |
| 21 | | X698-000050 | 1 | TOOL, CASE | |
| 22 | | 900256-04016 | 2 | SCREW 4*16 | |

CS-260TES(36) 6 CLUTCH, SPROCKET, CHAIN BRAKE



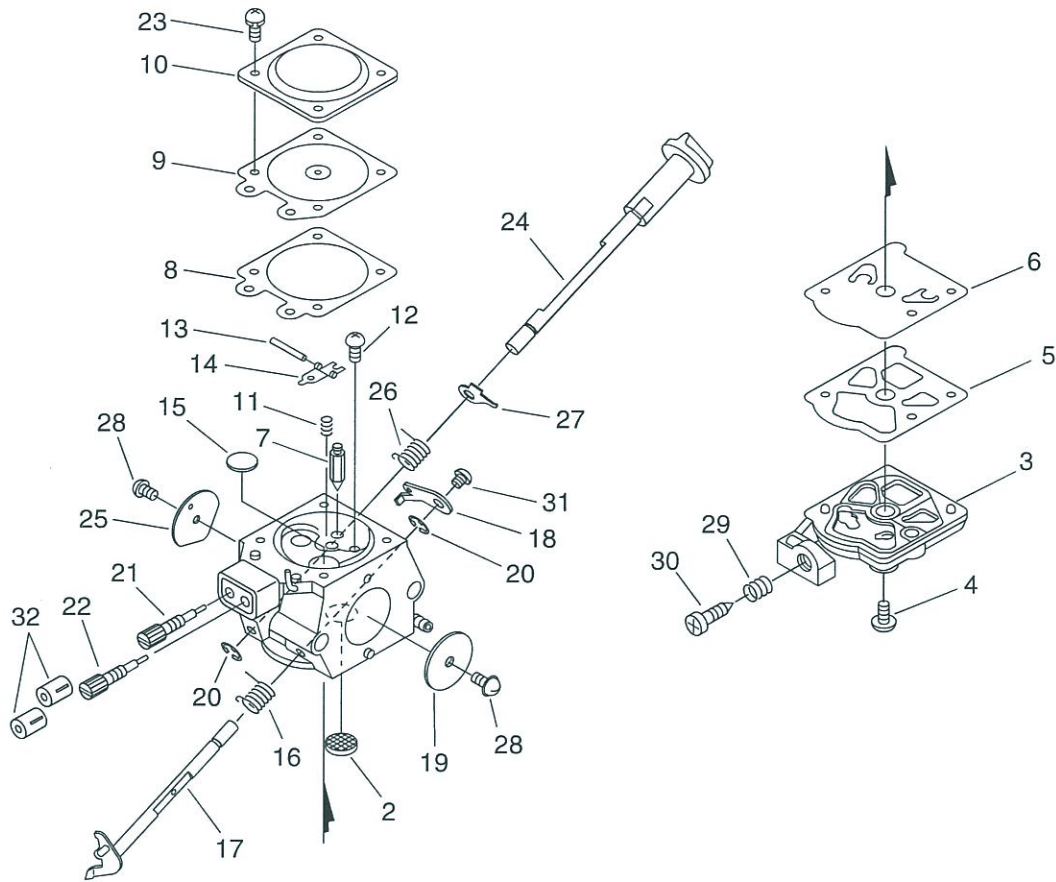
| KEY | LV | PART NUMBER | Q'TY | DESCRIPTION | REMARKS |
|-----|----|--------------|------|----------------------|---------|
| 1 | | C032-000167 | 1 | BRAKE,ASM CHAIN | |
| 2 | + | C320-000034 | 1 | LEVER,BRAKE | |
| 3 | + | 900330-30260 | 2 | ROLLER 3*26 | |
| 4 | + | 900562-50005 | 1 | LOCKNUT 5 | |
| 5 | + | V353-000060 | 1 | COLLAR,5 | |
| 6 | + | 433167-39130 | 1 | SPACER | |
| 7 | + | 91318-05032 | 1 | SCREW | |
| 8 | + | V452-000110 | 1 | SPRING,TORSION | |
| 9 | + | C345-000114 | 1 | COVER,BRAKE | |
| 10 | + | 900253-04012 | 2 | SCREW | |
| 11 | + | C334-000070 | 1 | CONNECTOR,BRAKE | |
| 12 | + | 433116-35430 | 1 | SPACER 8 | |
| 13 | + | C300-000171 | 1 | GUARD,SPROCKET | |
| 14 | + | C328-000020 | 1 | BAND,BRAKE | |
| 15 | + | 93050-30098 | 1 | ROLLER | |
| 16 | + | V376-000450 | 1 | SPACER | |
| 17 | + | V450-000070 | 1 | SPRING,COMPRESSION | |
| 18 | | X490-000530 | 1 | SCABBARD,CHAIN | |
| 20 | | P021-000063 | 1 | TENSIONER,CHAIN ASY | |
| 21 | + | V203-000021 | 1 | BOLT,5 | |
| 22 | + | C309-000030 | 1 | TENSIONER,CHAIN | |
| 23 | + | V651-000011 | 1 | GEAR,BEVEL | |
| 24 | | V355-000270 | 1 | COLLAR,8 | |
| 25 | | V651-000001 | 1 | GEAR,BEVEL | |
| 27 | | X121-000002 | 1 | BAR,GUIDE25RC50S-3/8 | |
| 28 | | C305-000031 | 1 | PLATE,SPROCKET GUARD | |

CS-260TES(36) 6 CLUTCH, SPROCKET, CHAIN BRAKE



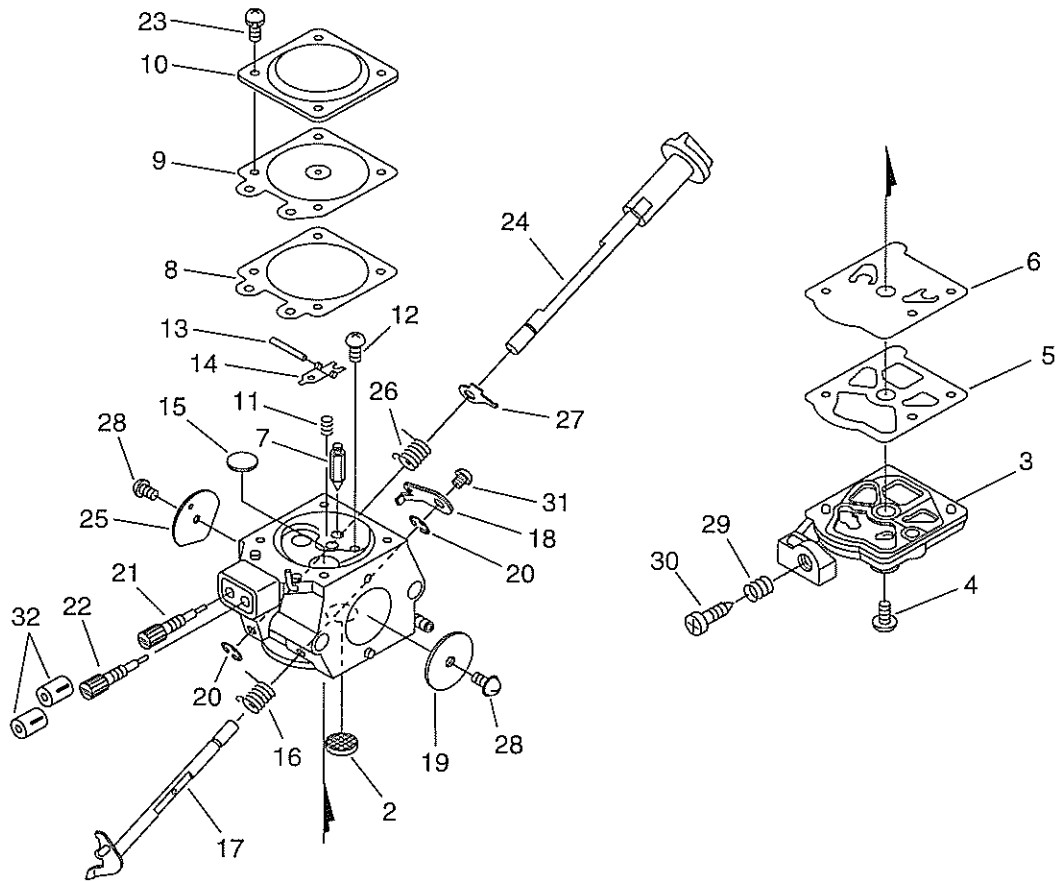
| KEY | LV | PART NUMBER | Q'TY | DESCRIPTION | REMARKS |
|-----|----|--------------|------|-----------------|---------|
| 29 | | 900253-04010 | 1 | SCREW 4*10 | |
| 30 | | V265-000200 | 1 | NUT | |
| 31 | | X502-000340 | 1 | LABEL,ECHO | |
| 32 | | A320-000024 | 1 | COVER,MUFFLER | |
| 33 | | 900253-04016 | 2 | SCREW 4*16 | |
| 34 | | V555-000150 | 1 | BEARING,NEEDLE | |
| 35 | | A556-000091 | 1 | DRUM,CLUTCH | |
| 36 | | A551-000010 | 1 | PLATE,CLUTCH | |
| 37 | | A056-000030 | 1 | CLUTCH | |
| 38 | + | V451-000150 | 3 | SPRING,TENSION | |
| 39 | + | P021-001950 | 1 | CLUTCH SHOE SET | |
| 40 | + | A552-000020 | 1 | HUB,CLUTCH | |

CS-260TES(36) 7 CARBURETOR



| KEY | LV | PART NUMBER | QTY | DESCRIPTION | REMARKS |
|-----|----|--------------|-----|----------------------|---------|
| | | A021-001402 | 1 | CARBURETOR,DIAPHRAGM | |
| 2 | + | P003-005040 | 1 | SCREEN,INLET | |
| 3 | + | 123124-24430 | 1 | COVER, FUEL PUMP | |
| 4 | + | 123110-03930 | 1 | SCREW, PUMP COVER | |
| 5 | + | 123125-15030 | 1 | GASKET, FUEL PUMP | |
| 6 | + | 123112-15030 | 1 | DIAPHRAGM, FUEL PUMP | |
| 7 | + | 123137-19830 | 1 | VALVE, INLET NEEDLE | |
| 8 | + | 123140-27230 | 1 | GASKET,M. DIAPHRAGM | |
| 9 | + | P003-001850 | 1 | DIAPHRAGM, METERING | |
| 10 | + | 123142-03930 | 1 | COVER, M. DIAPHRAGM | |
| 11 | + | 123122-03660 | 1 | SPRING, METER. LEVER | |
| 12 | + | 123139-03930 | 1 | SCREW, M. LEVER PIN | |
| 13 | + | 123138-03930 | 1 | PIN, METERING LEVER | |
| 14 | + | 123123-03930 | 1 | LEVER, METERING | |
| 15 | + | 123146-10631 | 1 | PLUG, WELCH | |
| 16 | + | 123113-37530 | 1 | SPRING, THROTTLE RTN | |
| 17 | + | P003-001300 | 1 | SHAFT, THROTTLE | |
| 18 | + | P003-000380 | 1 | THROTTLE, LEVER | |
| 19 | + | 123116-05960 | 1 | VALVE, THROTTLE | |
| 20 | + | 123127-15030 | 2 | RING | |
| 21 | + | 123118-02261 | 1 | NEEDLE | |
| 22 | + | 123120-03661 | 1 | NEEDLE | |
| 23 | + | 123130-02960 | 4 | SCREW | |
| 24 | + | P003-000400 | 1 | SHAFT-CHOKE(MOLD) | |
| 25 | + | 123132-35430 | 1 | VALVE, CHOKE | |
| 26 | + | P003-001470 | 1 | SPRING | |

CS-260TES(36) 7 CARBURETOR



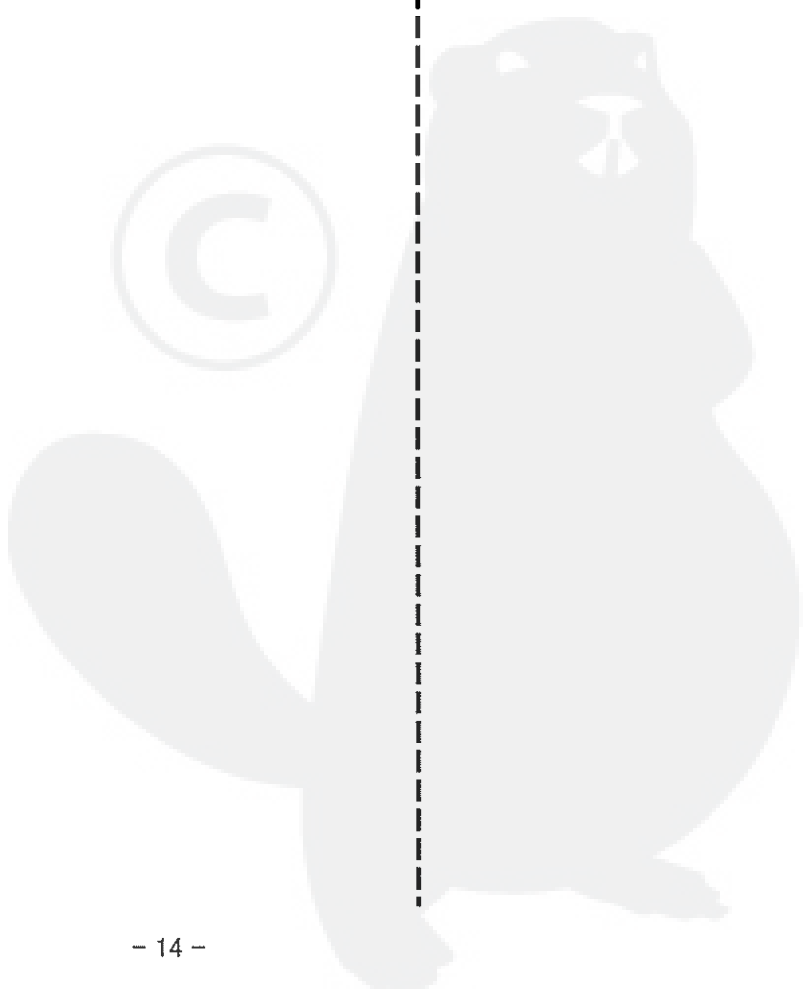
| KEY | LV | PART NUMBER | Q'TY | DESCRIPTION | REMARKS |
|-----|----|--------------|------|---------------------|---------|
| 27 | + | P003-001510 | 1 | LEVER-FAST IDLE | |
| 28 | + | 123114-38830 | 2 | SCREW | |
| 29 | + | 123133-04260 | 1 | SPRING, IDLE ADJUST | |
| 30 | + | 123134-04260 | 1 | SCREW, IDLE ADJUST | |
| 31 | + | 123114-05260 | 1 | SCREW | |
| 32 | + | P003-000010 | 2 | LIMITER CAP | |

Index

| Patrs Number | Key No. | Patrs Number | Key No. | Patrs Number | Key No. |
|--------------|---------|--------------|---------|--------------|---------|
| 100011-05731 | 1 - 11 | 436114-13930 | 1 - 27 | A365-000050 | 4 - 26 |
| 100013-22330 | 1 - 10 | 436205-02832 | 4 - 12 | A365-000050 | 4 - 26 |
| 100014-55930 | 1 - 8 | 890631-38230 | 3 - 31 | A409-000040 | 3 - 1 |
| 100015-04630 | 1 - 9 | 895812-03930 | 5 - 20 | A411-000340 | 3 - 8 |
| 100918-15130 | 5 - 14 | 900106-05016 | 1 - 19 | A426-000010 | 3 - 17 |
| 100921-39131 | 5 - 13 | 900106-05025 | 1 - 28 | A427-000013 | 3 - 16 |
| 123110-03930 | 7 - 4 | 900162-04012 | 1 - 12 | A440-000211 | 5 - 7 |
| 123112-15030 | 7 - 6 | 900162-05022 | 1 - 2 | A506-000460 | 3 - 24 |
| 123113-37530 | 7 - 16 | 900238-04012 | 4 - 6 | A507-000110 | 3 - 21 |
| 123114-05260 | 7 - 31 | 900238-05022 | 3 - 9 | A514-000020 | 3 - 4 |
| 123114-38830 | 7 - 28 | 900238-05050 | 2 - 10 | A551-000010 | 6 - 36 |
| 123116-05960 | 7 - 19 | 900253-04010 | 6 - 29 | A552-000020 | 6 - 40 |
| 123118-02261 | 7 - 21 | 900253-04012 | 1 - 16 | A556-000091 | 6 - 35 |
| 123120-03661 | 7 - 22 | 900253-04012 | 5 - 18 | C022-000020 | 4 - 2 |
| 123122-03660 | 7 - 11 | 900253-04012 | 6 - 10 | C032-000167 | 6 - 1 |
| 123123-03930 | 7 - 14 | 900253-04016 | 6 - 33 | C300-000171 | 6 - 13 |
| 123124-24430 | 7 - 3 | 900253-05020 | 1 - 24 | C305-000023 | 1 - 21 |
| 123125-15030 | 7 - 5 | 900253-05020 | 5 - 8 | C305-000031 | 6 - 28 |
| 123127-15030 | 7 - 20 | 900256-04016 | 3 - 28 | C309-000030 | 6 - 22 |
| 123130-02960 | 7 - 23 | 900256-04016 | 5 - 22 | C320-000034 | 6 - 2 |
| 123132-35430 | 7 - 25 | 900256-04016 | 5 - 4 | C328-000020 | 6 - 14 |
| 123133-04260 | 7 - 29 | 900330-30260 | 6 - 3 | C334-000070 | 6 - 11 |
| 123134-04260 | 7 - 30 | 900515-00008 | 3 - 2 | C345-000114 | 6 - 9 |
| 123137-19830 | 7 - 7 | 900562-50005 | 6 - 4 | C400-000050 | 5 - 5 |
| 123138-03930 | 7 - 13 | 900603-00005 | 3 - 5 | C450-000010 | 5 - 9 |
| 123139-03930 | 7 - 12 | 900720-00018 | 4 - 25 | C454-000051 | 5 - 10 |
| 123140-27230 | 7 - 8 | 900720-00018 | 4 - 25 | C460-000002 | 5 - 12 |
| 123142-03930 | 7 - 10 | 900724-00004 | 1 - 26 | P003-000010 | 7 - 32 |
| 123146-10631 | 7 - 15 | 900800-36001 | 1 - 5 | P003-000380 | 7 - 18 |
| 123181-39130 | 4 - 19 | 91107-05040 | 2 - 2 | P003-000400 | 7 - 24 |
| 130020-33330 | 5 - 3 | 91318-05032 | 6 - 7 | P003-001300 | 7 - 17 |
| 131205-14931 | 4 - 18 | 93050-30098 | 6 - 15 | P003-001470 | 7 - 26 |
| 131300-56431 | 4 - 23 | A021-001402 | 2 - 7 | P003-001510 | 7 - 27 |
| 131925-02310 | 2 - 15 | A021-001402 | 7 - | P003-001850 | 7 - 9 |
| 132010-22130 | 4 - 10 | A051-002540 | 3 - 19 | P003-005040 | 7 - 2 |
| 132012-11960 | 4 - 8 | A056-000030 | 6 - 37 | P021-000063 | 6 - 20 |
| 132115-01461 | 4 - 11 | A127-000021 | 1 - 15 | P021-001930 | 2 - 1 |
| 132115-44330 | 4 - 13 | A172-000112 | 3 - 7 | P021-001950 | 6 - 39 |
| 145510-13931 | 2 - 6 | A202-000001 | 1 - 14 | P021-001965 | 5 - 1 |
| 150117-16430 | 3 - 10 | A225-000025 | 2 - 8 | P021-002150 | 1 - 7 |
| 156110-04920 | 3 - 14 | A226-000051 | 2 - 11 | P021-003438 | 1 - 25 |
| 156114-07320 | 3 - 13 | A232-000061 | 2 - 12 | P021-005581 | 4 - 27 |
| 159010-10230 | 3 - 18 | A235-000040 | 2 - 13 | P021-005591 | 4 - 24 |
| 163911-30130 | 1 - 18 | A239-000000 | 5 - 15 | P021-010890 | 4 - 1 |
| 177236-61830 | 3 - 20 | A244-000000 | 2 - 9 | P021-011221 | 1 - 3 |
| 177246-11120 | 3 - 27 | A300-000130 | 2 - 5 | P021-011230 | 1 - 1 |
| 433026-35430 | 1 - 23 | A301-000000 | 2 - 4 | P022-001320 | 3 - 26 |
| 433116-35430 | 6 - 12 | A303-000000 | 2 - 3 | P022-001330 | 3 - 25 |
| 433167-39130 | 6 - 6 | A320-000024 | 6 - 32 | P022-006220 | 3 - 23 |

Index

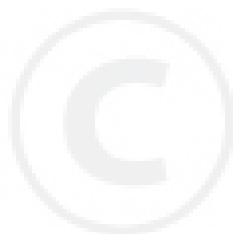
| Patrs Number | Key No. | Patrs Number | Key No. | Patrs Number | Key No. |
|---------------------|----------------|---------------------|----------------|---------------------|----------------|
| V137-000000 | 4 - 22 | | | | |
| V150-000420 | 5 - 17 | | | | |
| V186-000510 | 4 - 15 | | | | |
| V187-000010 | 4 - 7 | | | | |
| V202-000000 | 5 - 6 | | | | |
| V202-000011 | 1 - 22 | | | | |
| V203-000021 | 6 - 21 | | | | |
| V203-000100 | 3 - 6 | | | | |
| V225-000030 | 1 - 20 | | | | |
| V265-000200 | 6 - 30 | | | | |
| V308-000030 | 4 - 3 | | | | |
| V353-000060 | 6 - 5 | | | | |
| V355-000270 | 6 - 24 | | | | |
| V356-000290 | 4 - 5 | | | | |
| V358-000021 | 1 - 13 | | | | |
| V376-000450 | 6 - 16 | | | | |
| V450-000070 | 6 - 17 | | | | |
| V450-000080 | 5 - 16 | | | | |
| V450-000340 | 5 - 2 | | | | |
| V451-000150 | 6 - 38 | | | | |
| V452-000010 | 5 - 11 | | | | |
| V452-000030 | 3 - 3 | | | | |
| V452-000110 | 6 - 8 | | | | |
| V452-001320 | 3 - 22 | | | | |
| V470-000321 | 4 - 14 | | | | |
| V471-001230 | 4 - 16 | | | | |
| V471-001250 | 4 - 21 | | | | |
| V471-001260 | 4 - 20 | | | | |
| V475-001900 | 3 - 11 | | | | |
| V475-003550 | 3 - 15 | | | | |
| V485-000140 | 3 - 12 | | | | |
| V490-001230 | 4 - 9 | | | | |
| V490-001240 | 4 - 17 | | | | |
| V505-000000 | 1 - 4 | | | | |
| V553-000020 | 1 - 6 | | | | |
| V555-000150 | 6 - 34 | | | | |
| V651-000001 | 6 - 25 | | | | |
| V651-000011 | 6 - 23 | | | | |
| V652-000030 | 4 - 4 | | | | |
| X121-000002 | 6 - 27 | | | | |
| X490-000530 | 6 - 18 | | | | |
| X502-000340 | 6 - 31 | | | | |
| X502-000780 | 3 - 29 | | | | |
| X503-007630 | 2 - 14 | | | | |
| X505-002440 | 1 - 17 | | | | |
| X602-000080 | 5 - 19 | | | | |
| X698-000050 | 5 - 21 | | | | |



YAMABIKO CORPORATION

7-2 SUEHIROCHO 1-CHOME, OHME, TOKYO 198-8760, JAPAN
PHONE: 81-428-32-6118. FAX: 81-428-32-6145.

ECHO®



12Jb
No. 05-064