

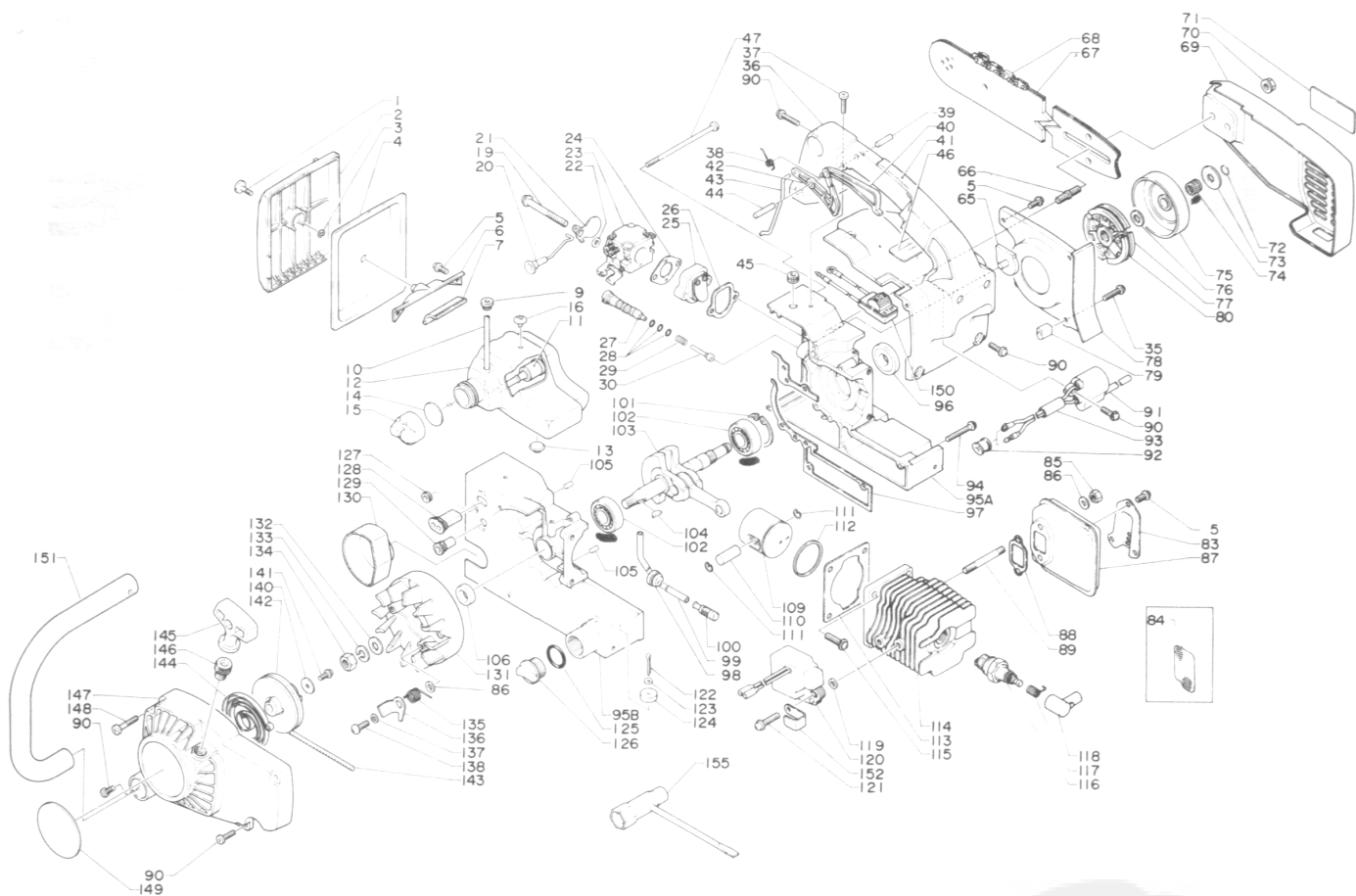
# **ECHO**

## **CHAIN SAW**

# **PARTS CATALOGUE**

## **CS-280E**





| Pitch 3/8" (91S) |                |   | Saw chain and guide bar |      |                | Pitch 1/4" |                    |  |
|------------------|----------------|---|-------------------------|------|----------------|------------|--------------------|--|
| 1-67             | 430 010-1393 0 | 1 | Guide bar 30 cm         | 1-67 | 430 410-1393 0 | 1          | Guide bar 25 cm    |  |
| 68               | 431 010-1393 0 | 1 | Saw chain 91S 45E       | 68   | 430 411-1393 0 | 1          | Guide bar 30 cm    |  |
| 75               | 175 005-1393 0 | 1 | Clutch case 3/8         | 68   | 431 610-1393 0 | 1          | Saw chain 25AP 56E |  |
|                  |                |   |                         | 75   | 431 611-1003 0 | 1          | Saw chain 25AP 68E |  |
|                  |                |   |                         |      | 175 007-1393 0 | 1          | Clutch case        |  |

| Key No.     | Part No.              | Q'ty     | Description                     | Key No.     | Part No.              | Q'ty     | Description                 |
|-------------|-----------------------|----------|---------------------------------|-------------|-----------------------|----------|-----------------------------|
| <b>1- *</b> | <b>130 302-1393 0</b> | <b>1</b> | <b>Cover ass'y, air cleaner</b> | <b>1- 9</b> | 132 115-0146 0        | 1        | Grommet                     |
| 1           | -130 406-1393 0       | 1        | Thumb bolt                      | 10          | 132 010-1393 1        | 1        | Fuel pipe                   |
| 2           | -130 313-1393 0       | 1        | Cover, air cleaner              | 11          | 131 205-0583 0        | 1        | Fuel strainer               |
| 3           | -900 700-0000 3       | 1        | E-ring 3                        | 12          | 131 010-1393 0        | 1        | Fuel tank                   |
|             |                       |          |                                 | 13          | 100 223-1393 1        | 1        | Cushion                     |
| 4           | 130 310-1393 0        | 1        | Air filter                      | <b>**</b>   | <b>131 004-1393 0</b> | <b>1</b> | <b>Cap ass'y, fuel tank</b> |
| 5           | 900 242-0401 0        | 3        | Screw 4x10 w/W, SW              | 14          | -131 016-1393 0       | 1        | Gasket, fuel tank           |
| 6           | 130 405-1393 0        | 1        | Bracket, air filter             | 15          | -131 017-1393 0       | 1        | Cap, fuel tank              |
| 7           | 131 920-1393 0        | 1        | Cushion                         | 16          | 131 314-0033 0        | 1        | Check valve                 |
|             |                       |          |                                 | 19          | 900 242-0505 0        | 2        | Screw 5x50 w/W, SW          |

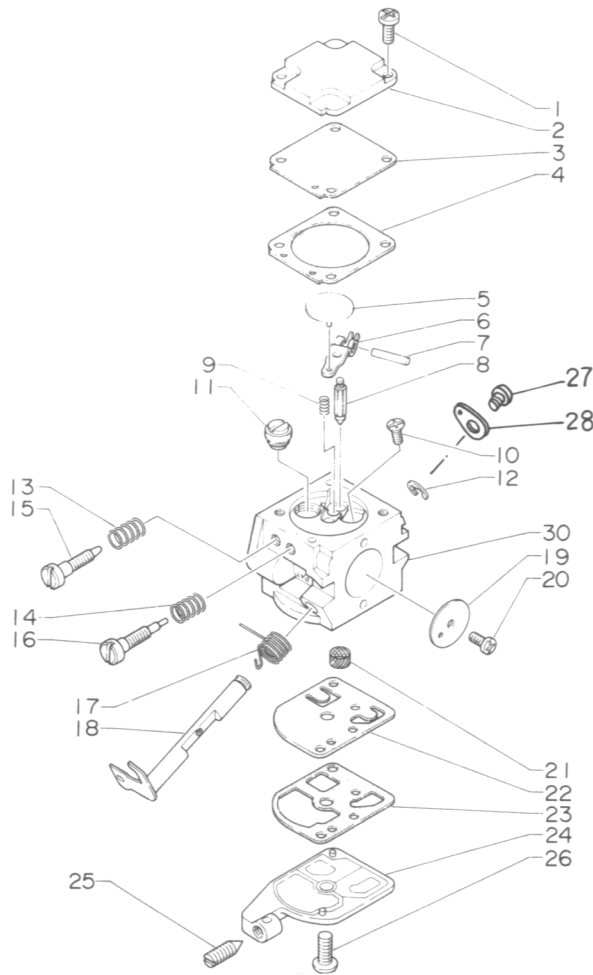
| Key No. | Part No.        | Q'ty | Description          | Key No. | Part No.        | Q'ty | Description            |
|---------|-----------------|------|----------------------|---------|-----------------|------|------------------------|
| 20      | 178 510-1393 0  | 1    | Choke rod            | 1-99    | 437 210-1393 0  | 1    | Oil pipe               |
| 21      | 178 515-1393 0  | 1    | Choke shutter        | 100     | 436 205-0283 2  | 1    | Oil strainer           |
| 22      | 178 516-0393 0  | 1    | Spacer               | 101     | 900 702-0003 2  | 1    | Circlip 32             |
| 23      | 125 200-1393 0  | 1    | Carburetor ass'y     | 102     | 900 810-3620 1  | 2    | Ball bearing 6201      |
| 24      | 130 016-0643 0  | 1    | Gasket               | 103     | 100 100-1393 0  | 1    | Crankshaft ass'y       |
| 25      | 130 000-1393 0  | 1    | Insulator            | 104     | 100 131-0652 0  | 1    | Woodruff key           |
| 26      | 130 010-1393 0  | 1    | Gasket               | 106     | 100 212-1123 0  | 1    | Oil seal               |
| 27      | 437 002-1123 0  | 1    | Cylinder and plunger | 109     | 100 010-1393 0  | 1    | Piston                 |
| 28      | 437 020-0283 0  | 3    | O-ring               | 110     | 100 013-1123 0  | 1    | Piston pin             |
| 29      | 437 019-0283 0  | 1    | Coil spring          | 111     | 100 015-0463 0  | 2    | Circlip, piston pin    |
| 36      | 351 010-1393 1  | 1    | Top handle           | 112     | 100 011-0573 1  | 1    | Piston ring            |
| 37      | 900 242-0401 8  | 4    | Screw 4x18 w/W, SW   | 113     | 101 010-1393 0  | 1    | Gasket, cylinder base  |
| 38      | 178 091-1393 0  | 1    | Spring, safety lock  | 114     | 101 011-1393 0  | 1    | Cylinder               |
| 39      | 900 340-5001 8  | 1    | Spring pin 5x18      | 115     | 900 242-0502 0  | 4    | Screw 5x20 w/W, SW     |
| 40      | 178 090-1393 0  | 1    | Safety lock          | 116     | 159 010-1393 0  | 1    | Spark plug             |
| 41      | 351 012-1393 0  | 1    | Grip, handle         | 117     | 159 011-0051 0  | 1    | Coil spring, plug cap  |
| 42      | 178 010-1393 0  | 1    | Throttle trigger     | 118     | 159 012-0162 0  | 1    | Cap, spark plug        |
| 43      | 178 011-1393 0  | 1    | Throttle rod         | 119     | 152 117-0553 0  | 2    | Spacer                 |
| 44      | 900 340-5002 5  | 1    | Spring pin 5x25      | 120     | 156 601-1393 0  | 1    | C.D. Ignition module   |
| 45      | 178 210-0023 0  | 1    | Grommet              | 121     | 900 242-0502 2  | 2    | Screw 5x22 w/W, SW     |
| 46      | 890 151-1393 0  | 1    | Decal                | 122     | 900 300-2001 5  | 1    | Slit pin 2x15          |
| 47      | 100 244-1393 0  | 2    | Screw                | 123     | 900 600-0000 2  | 1    | Washer 2               |
| 65      | 100 614-1393 0  | 1    | Plug                 | 124     | 131 410-0033 0  | 1    | Felt                   |
| 66      | 433 011-1393 0  | 2    | Stud bolt            | ***     | 436 001-1393 0  | 1    | Cap ass'y, oil tank    |
| 69      | 433-010-1393 0  | 1    | Cover, guide bar     | 125     | -900 720-0001 6 | 1    | O-ring 16              |
| 70      | 433 019-0393 1  | 2    | Flange nut 6         | 126     | -436 013-1393 0 | 1    | Cap, oil tank          |
| 71      | 890 137-1393 0  | 1    | Decal, ECHO          | 127     | 178 810-0333 0  | 1    | Grommet                |
| 72      | 100 130-1123 0  | 1    | Snap ring            | 128     | 129 010-1393 0  | 1    | Grommet                |
| 73      | 175 015-1393 0  | 1    | Washer               | 129     | 129 015-1393 0  | 1    | Grommet                |
| 74      | 175 012-0393 0  | 1    | Needle bearing       | 130     | 131 038-1393 0  | 1    | Seal                   |
| 76      | 175 014-1123 1  | 1    | Washer               | 131     | 156 800-1393 0  | 1    | Flywheel               |
| 77      | 175 000-1393 0  | 1    | Clutch ass'y         | 132     | 900 600-0000 8  | 1    | Washer 8               |
| 80      | -175 018-1393 0 | 1    | Spring, clutch       | 133     | 900 605-0000 8  | 1    | Spring washer 8        |
| 78      | 175 305-1393 0  | 1    | Seal plate           | 134     | 900 502-0000 8  | 1    | Nut 8                  |
| 79      | 175 311-1393 0  | 1    | Spacer               | 135     | 177 234-1393 0  | 2    | Return spring, ratchet |
| 83      | 145 876-1393 0  | 1    | Muffler lid          | 136     | 177 218-1393 0  | 2    | Ratchet                |
| 84      | 145 862-1393 0  | 1    | Screen               | 137     | 177 247-0463 0  | 2    | Spacer                 |
| 85      | 433 020-0083 0  | 2    | Lock nut 5           | 138     | 177 217-1393 0  | 2    | Screw                  |
| 86      | 900 602-0000 5  | 2    | Washer 5             | ****    | 177 200-1393 1  | 1    | Recoil starter ass'y   |
| 87      | 145 805-1393 0  | 1    | Muffler              | 140     | -177 214-0463 0 | 1    | Washer                 |
| 88      | 145 510-1393 0  | 1    | Gasket, muffler      | 141     | -900 241-0401 0 | 1    | Screw 4x10 w/SW        |
| 89      | 101 014-0713 1  | 2    | Stud bolt            | 142     | -177 215-0653 0 | 1    | Recoil drum            |
| 90      | 900 242-0401 6  | 5    | Screw 4x16 w/W, SW   | 143     | -177 226-0653 0 | 1    | Rope                   |
| 91      | 156 626-1393 0  | 1    | Ignition coil        | 144     | -177 220-0653 0 | 1    | Rewind spring          |
| 92      | 156 114-1393 0  | 1    | Grommet              | 145     | -177 228-1113 0 | 1    | Starter handle         |
| 93      | 156 613-1393 0  | 1    | Cover tube           | 146     | -177 227-0533 0 | 1    | Rope guide             |
| 94      | 900 242-0403 0  | 6    | Screw 4x30 w/W, SW   | 147     | -101 507-1393 1 | 1    | Fan cover              |
| 95      | 100 200-1393 0  | 1    | Crankcase set        | 148     | 900 242-0402 5  | 2    | Screw 4x25 w/W, SW     |
| 105     | -100 215-0393 0 | 2    | Knock pin            | 149     | 890 012-1113 2  | 1    | Decal                  |
| 96      | 100 213-0393 0  | 1    | Oil seal             | 150     | 163 400-1393 0  | 1    | Switch                 |
| 97      | 100 242-1393 0  | 1    | Gasket, crankcase    | 151     | 351 205-1393 0  | 1    | Front handle           |
| 98      | 132 115-1113 0  | 1    | Grommet              | 152     | 159 112-1393 0  | 1    | Clamp                  |
|         |                 |      |                      | 155     | 895 410-0393 0  | 1    | Wrench w/s. driver     |

Remarks

- \* Consisting of 1 thru 3.
- \*\* Consisting of 14 and 15.
- \*\*\* Consisting of 125 and 126.
- \*\*\*\* Consisting of 140 thru 147.

77 Included 80,

84 Option,  
95 Included 105.



| Key No.   | Part No.              | Q'ty     | Description             | Key No.                                   | Part No.        | Q'ty | Description             |
|-----------|-----------------------|----------|-------------------------|---|-----------------|------|-------------------------|
| <b>2-</b> | <b>125 200-1393 0</b> | <b>1</b> | <b>Carburetor ass'y</b> | <b>2-16</b>                               | -125 318-1393 0 | 1    | Needle, idle            |
| 1         | -125 344-1393 0       | 4        | Screw                   | 17  | -125 313-1393 0 | 1    | Return spring, throttle |
| 2         | -125 342-1393 0       | 1        | Cover, diaphragm        | 18  | -125 317-1393 0 | 1    | Throttle shaft          |
| 3         | -125 341-1393 0       | 1        | Diaphragm               | 19  | -125 316-1393 0 | 1    | Throttle shutter        |
| 4         | -125 340-1393 0       | 1        | Gasket, diaphragm       | 20  | -125 314-1393 0 | 1    | Screw                   |
| 5         | -125 375-1393 0       | 1        | Disc                    | 21  | -125 326-1393 0 | 1    | Screen                  |
| 6         | -125 323-1393 0       | 1        | Valve arm               | 22  | -125 312-1393 0 | 1    | Diaphragm, fuel pump    |
| 7         | -125 338-1393 0       | 1        | Arm pin                 | 23  | -125 325-1393 0 | 1    | Gasket, fuel pump       |
| 8         | -125 337-1393 0       | 1        | Needle valve            | 24  | -125 324-1393 0 | 1    | Pump cover              |
| 9         | -125 322-1393 0       | 1        | Coil spring             | 25  | -125 334-1393 0 | 1    | Screw, idle adjustment  |
| 10        | -125 339-1393 0       | 1        | Screw                   | 26  | -125 310-1393 0 | 1    | Screw                   |
| 11        | -125 376-1393 0       | 1        | Orifice, main fuel      | 27  | -125 348-1393 0 | 1    | Screw                   |
| 12        | -125 327-1393 0       | 1        | Clip                    | 28  | -125 350-1393 0 | 1    | Throttle lever          |
| 13, 14    | -125 319-1393 0       | 2        | Coil spring             | <b>Remark</b><br>Consisting of 1 thru 28. |                 |      |                         |
| 15        | -125 320-1393 0       | 1        | Needle, high speed      |   |                 |      |                         |



**KIORITZ CORPORATION**

5-1 SHIMORENJAKU, 7-CHOME, MITAKA, TOKYO 181  
 CABLE ADDRESS: KIORITZ MITAKA  
 TELEX ADDRESS: KIORITZ A J26592