

**ECHO**

**PARTS CATALOGUE**

**ECHO  
CHAIN SAW**

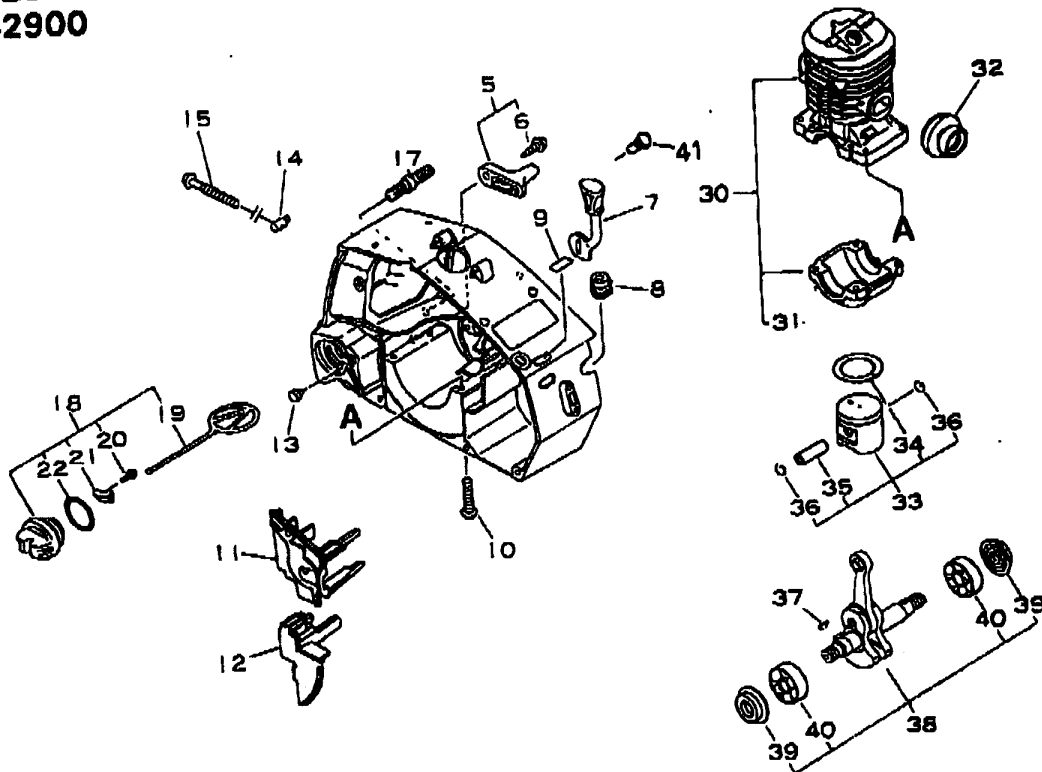
**CS-2800**

**CS-2900**



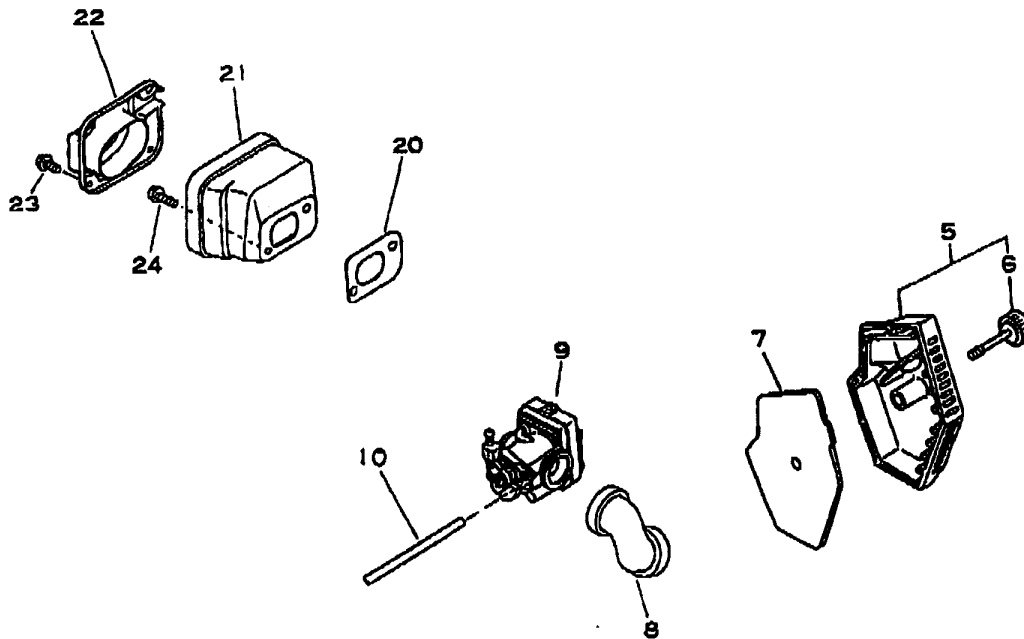
898 617-3563 0

CS-2800 1  
CS-2900



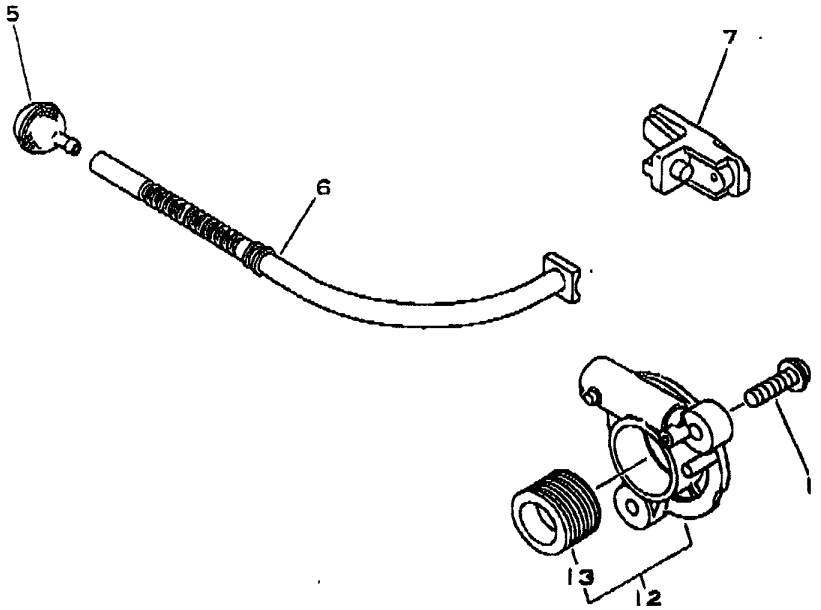
Key No.	Part Number	Q'ty	Description	Key No.	Part Number	Q'ty	Description
1- 5	433 000-3543 0	1	Catcher kit, chain	1-33	100 000-3573 0	1	Piston kit
6	-900 246-0502 0	1	Screw	34	-100 011-1613 0	1	Ring, piston
7	178 512-3563 0	1	Choke	35	-100 013-3563 0	1	Pin, piston
8	178 810-3563 0	1	Grommet	36	-100 015-0463 0	2	Circlip, piston pin
10	900 242-0503 0	4	Screw	37	-100 142-4203 0	1	Key, Woodruff
11	104 012-3563 0	1	Cover	38	100 101-3573 0	1	Crankshaft kit
12	104 016-3563 0	1	Cover, engine	39	-100 212-3563 0	2	Oilseal
13	436 114-1393 0	1	Valve, check	40	-900 800-3600 1	2	Bearing, ball
14	433 014-0393 2	1	Tensioner	41	104 034-3583 0	1	plug
15	433 016-3543 0	1	Screw, adjustment				
17	433 011-0393 1	2	Stud				
18	436 001-1983 2	1	Cap assembly, oil				
19	-131 051-1983 0	1	Connector				
20	-900 258-0300 8	1	Screw				
21	-131 050-1983 0	1	Holder				
22	-436 012-1983 0	1	Seal				
30	100 202-3563 0	1	Crankcase set				
31	-900 242-0502 0	4	Screw				
32	130 510-3563 0	1	Adapter, intake				

CS-2800 2  
CS-2900

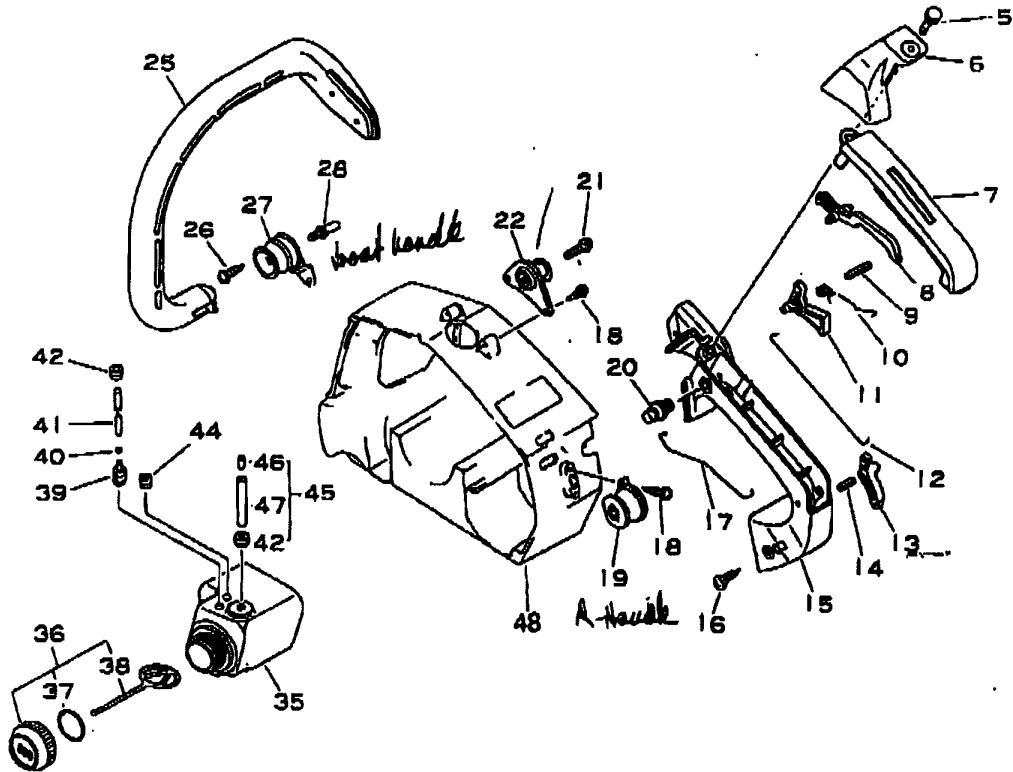


Key No.	Part Number	Q'ty	Description	Key No.	Part Number	Q'ty	Description
2- 5	130 302-3563 0	1	Cover				
6	-130 411-3563 0	1	Fastener				
7	130 310-3563 0	1	Filter, air				
8	130 518-3563 0	1	Connector				
9	123 000-3583 0	1	Carburetor assembly				
10	132 016-0432 0	1	Pipe, fuel				
20	145 510-3563 0	1	Gasket, muffler				
21	145 610-3563 0	1	Muffler				
22	145 613-3563 0	1	Lid, muffler				
23	900 238-0401 0	4	Screw				
24	900 242-0502 0	2	Screw				

CS-2800 4  
 CS-2900



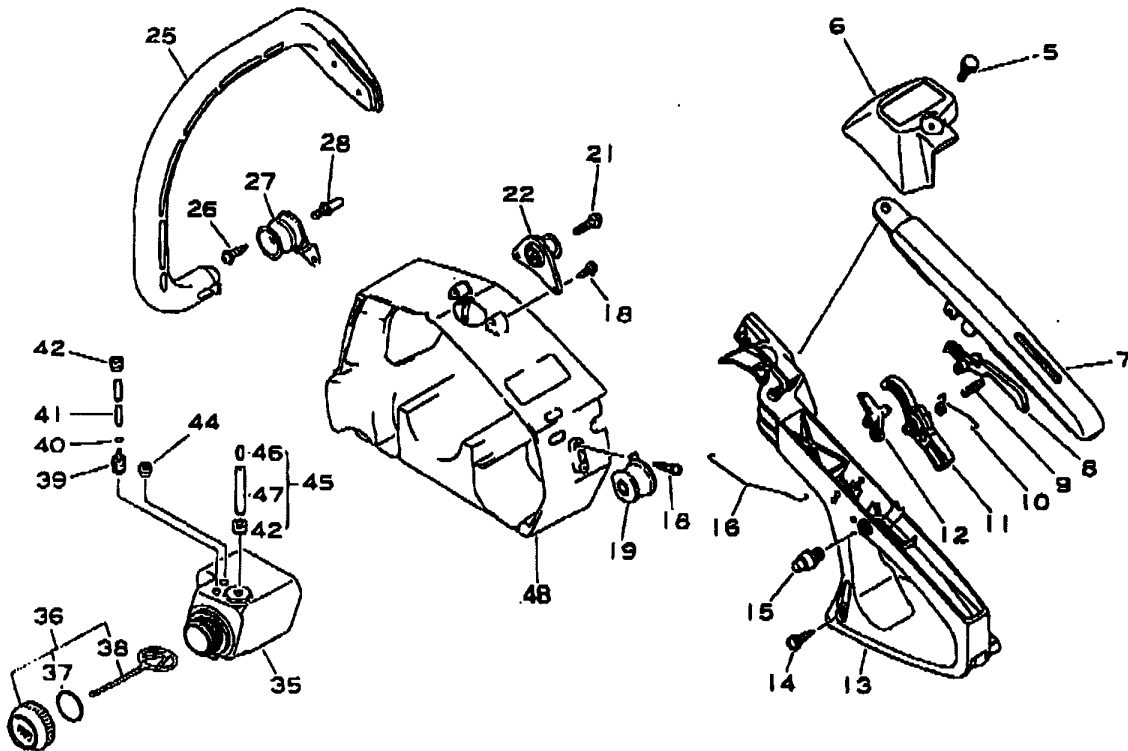
Key No.	Part Number	Q'ty	Description	Key No.	Part Number	Q'ty	Description
4- 5	436 205-1473 0	1	Strainer, oil				
6	437 210-3563 0	1	Pipe				
7	437 211-3563 0	1	Pipe				
11	900 242-0401 4	2	Screw				
12	437 000-3563 0	1	Auto-oiler assembly		43700035630		
13	-437 063-3563 0	1	Wheel, worm				



Key No.	Part Number	Q'ty	Description	Key No.	Part Number	Q'ty	Description
6-5	130 411-1383 0	1	Fastener	6-27	100 910-3563 0	1	Cushion
6	351 129-3563 0	1	Handle, rear	28	100 926-3543 0	1	Screw
7	351 155-3563 1	1	Grip, rear handle	35	131 010-3563 1	1	Tank, fuel
8	178 090-1983 0	1	Lockout, throttle control	36	131 004-3543 0	1	Cap assembly, fuel
9	900 345-4002 5	1	Pin, spring	37	-900 720-0002 2	1	O-ring
10	178 013-3563 1	1	Spring	38	-131 051-1983 0	1	Connector
11	178 010-3563 1	1	Control, throttle	39	131 205-1493 0	1	Strainer, fuel
12	178 011-3563 1	1	Rod, throttle	40	132 013-2663 0	1	Clip
13	178 017-3563 1	1	Arm, throttle	41	130 110-1233 0	1	Pipe
14	900 345-4002 2	1	Screw	42	132 115-0146 0	1	Grommet
15	351 110-3563 1	1	Handle, rear	44	100 223-0732 0	1	Plug
16	900 242-0501 4	1	Screw	45	131 300-3563 0	1	Vent assembly
17	178 046-3563 1	1	Rod, throttle connecting	42	-132 115-0146 0	1	Grommet
18	900 246-0401 4	4	Screw	46	-131 314-3543 0	1	Valve, check
19	100 905-3563 1	1	Cushion	47	-132 010-0296 1	1	Pipe
20	178 302-1233 0	1	Latch, throttle	48	104 008-3563 0	1	Cover, engine
21	900 238-0502 0	1	Screw				
22	100 921-3563 1	1	Cushion				
25	351 640-3563 0	1	Handle, front				
26	900 242-0502 0	1	Screw				

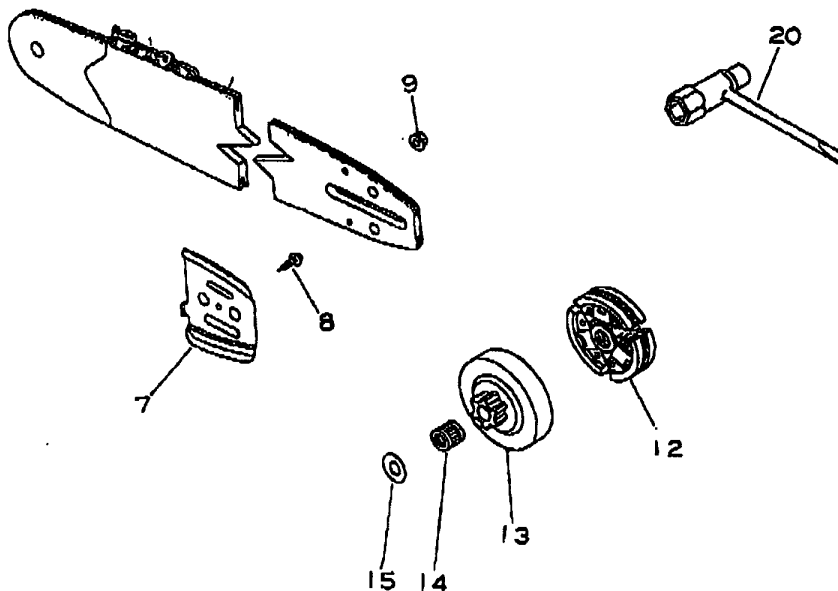
CS-2900 6

WARNING LABEL FITS  
IN HANDLE



Key No.	Part Number	Q'ty	Description	Key No.	Part Number	Q'ty	Description
6-5	130 411-1383 0	1	Fastener	6-35	131 010-3563 1	1	Tank, fuel
R HANDLE 6	351 129-3573 0	1	Handle, rear	36	131 004-3543 0	1	Cap assembly, fuel
7	351 155-3573 1	1	Grip, rear handle	37	-900 720-0002 2	1	O-ring
8	178 090-1983 0	1	Lockout, throttle control	38	-131 051-1983 0	1	Connector
9	900 345-4002 5	1	Pin, spring	39	131 205-1493 0	1	Strainer, fuel
10	178 013-3573 0	1	Spring	40	132 013-2663 0	1	Clip
11	178 010-3573 1	1	Control, throttle	41	130 110-1233 0	1	Pipe
12	178 017-3573 1	1	Arm, throttle	42	132 115-0146 0	1	Grommet
13	351 110-3573 1	1	Handle, rear	44	100 223-0732 0	1	Plug
14	900 242-0501 4	1	Screw	45	131 300-3563 0	1	Vent assembly
15	178 302-1233 0	1	Latch, throttle	42	-132 115-0146 0	1	Grommet
16	178 046-3573 1	1	Rod, throttle connecting	46	-132 010-0296 1	1	Pipe
18	900 246-0401 4	4	Screw	47	-131 314-3543 0	1	Valve, check
19	100 905-3573 0	1	Cushion	48	104 008-3573 0	1	Cover, engine
21	900 238-0502 0	1	Screw	4A	390-162-149-30	1	WARNING LABEL
22	100 921-3563 1	1	Cushion				
25	351 640-3563 0	1	Handle, front				
26	900 242-0502 0	1	Screw				
27	100 910-3563 0	1	Cushion				
28	100 926-3543 0	1	Screw				

CS-2800 7  
CS-2900



Key No.	Part Number	Q'ty	Description	Key No.	Part Number	Q'ty	Description
7-	433 013-3563 0	1	Plate, inner				
8	900 246-0401 0	1	Screw				
9	433 019-0393 3	2	Nut				
10	890 112-3563 0	1	Label				
11	433 005-3563 0	1	Guard, sprocket				
12	175 000-3563 0	1	Clutch assembly				
13	175 005-3563 0	1	Drum, clutch				
14	175 012-3563 0	1	Bearing, needle				
15	175 015-3563 0	1	Washer				
17	351 826-3563 0	1	Guard, hand				
18	900 246-0501 4	2	Screw				
20	895 410-0393 0	1	Wrench w/screwdriver (PULL-SPANNER)				