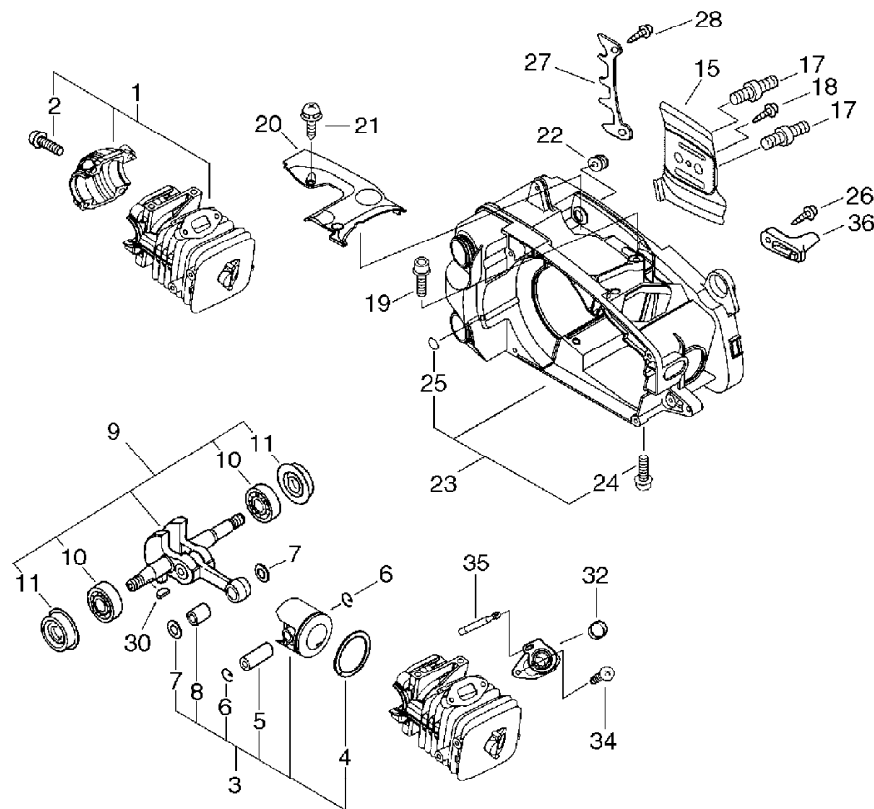




PARTS CATALOG

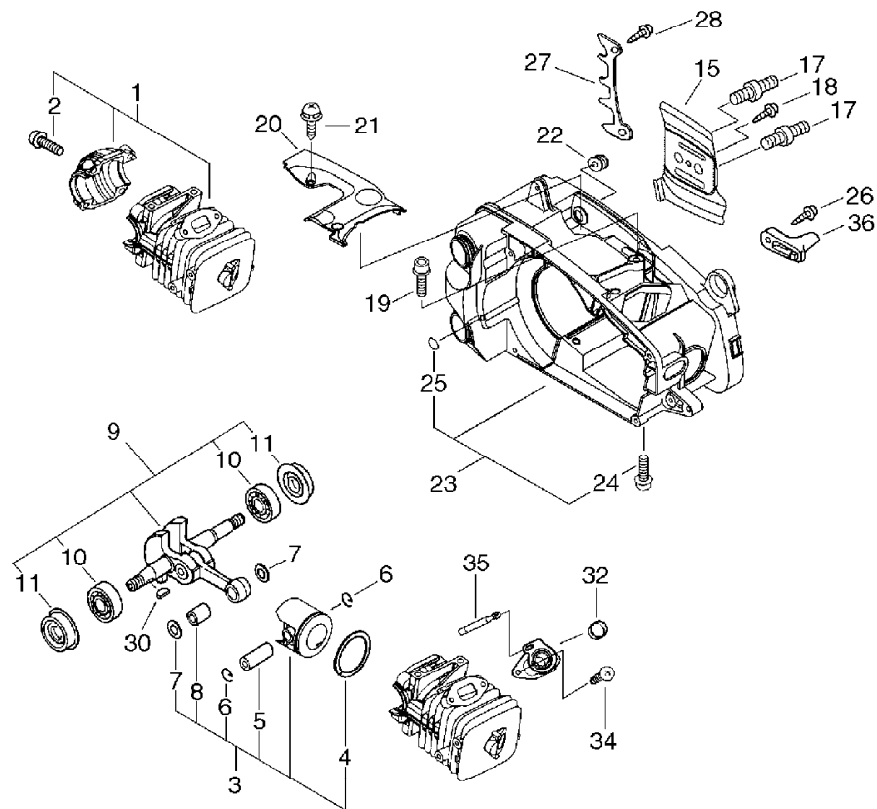
CHAIN SAW CS-350TES(70)

CS-350TES(70) 1 CYLINDER, PISTON, CRANKSHAFT



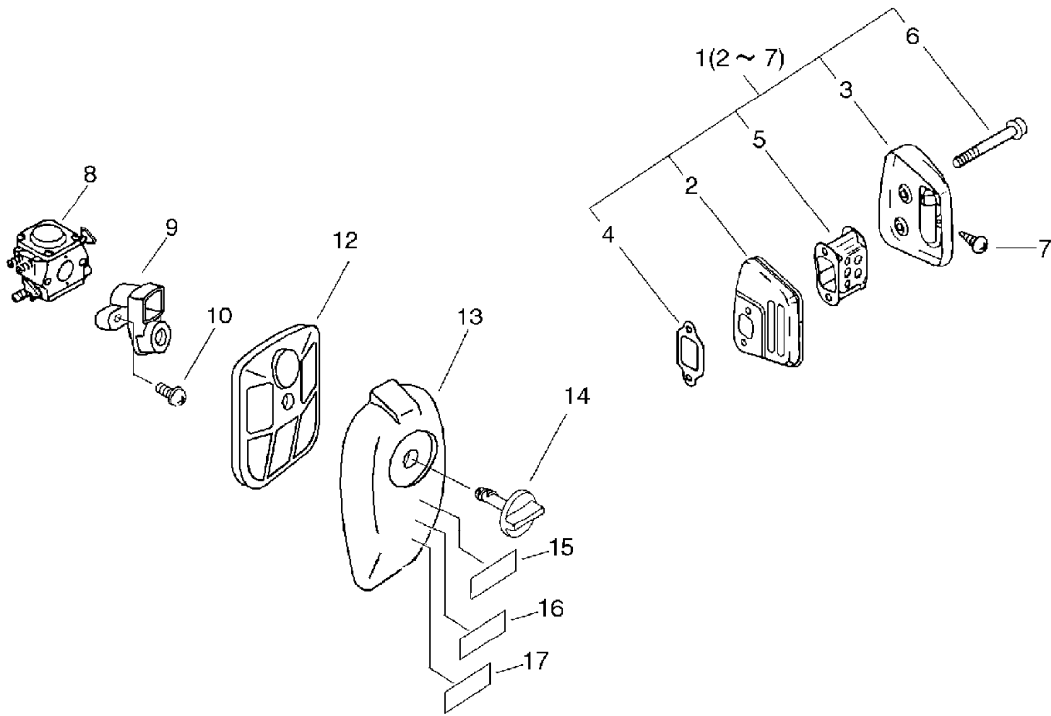
KEY	LV	PART NUMBER	Q'TY	DESCRIPTION	REMARKS
1		P021-009250	1	CRANKCASE SET	
2	+	900162-05025	4	BOLT, H.S. 5*25	
3		P021-009230	1	PISTON KIT	
4	+	A101-000120	1	RING,PISTON	
5	+	100013-15330	1	PIN, PISTON	
6	+	100015-04630	2	CIRCLIP, PISTON PIN	
7	+	100014-60930	2	SPACER, PISTON PIN	
8	+	V553-000040	1	BEARING,NEEDLE 8	
9		P021-010703	1	CRANKSHAFT ASY	
10	+	94035-36201	2	BEARING BALL	
11	+	V505-000011	2	SEAL,OIL 12	
15		C305-000080	1	PLATE,SPROCKET GUARD	
17		V224-000031	2	BOLT,STUD 6	
18		900253-04010	1	SCREW 4*10	
19		900106-05020	2	BOLT, H.S. 5*20	
20		A127-000050	1	COVER,DUST	
21		900253-04012	2	SCREW	
22		163911-30130	1	PLUG	
23		P021-008678	1	COVER,ENGINE KIT	
24	+	900106-05030	2	BOLT, H.S.H. 5*30	
25	+	900724-00004	1	O-RING (S-4)	
26		900253-05020	1	SCREW 5*20	
27		C304-000000	1	SPIKE	
28		900253-05020	1	SCREW 5*20	
30		100142-12330	1	KEY, WOODRUFF	
32		V359-000060	1	COLLAR,16	

CS-350TES(70) 1 CYLINDER, PISTON, CRANKSHAFT



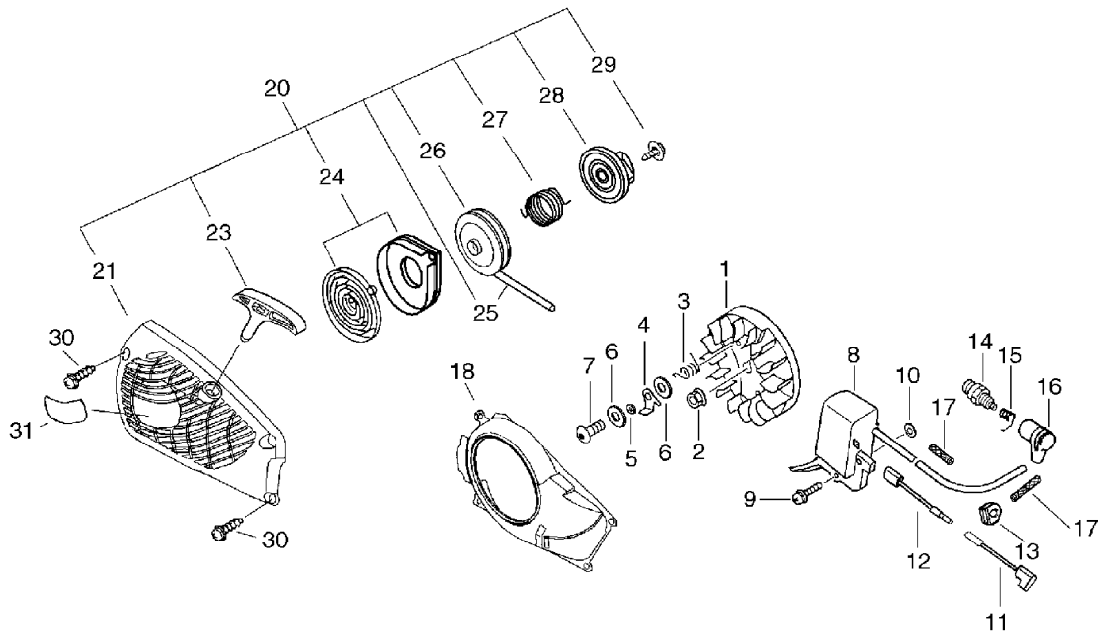
KEY	LV	PART NUMBER	Q'TY	DESCRIPTION	REMARKS
34		91420-05012	2	SCREW	
35		V470-000482	1	PIPE	
36		433026-35430	1	CATCHER, CHAIN	

CS-350TES(70) 2 AIR CLEANER, MUFFLER



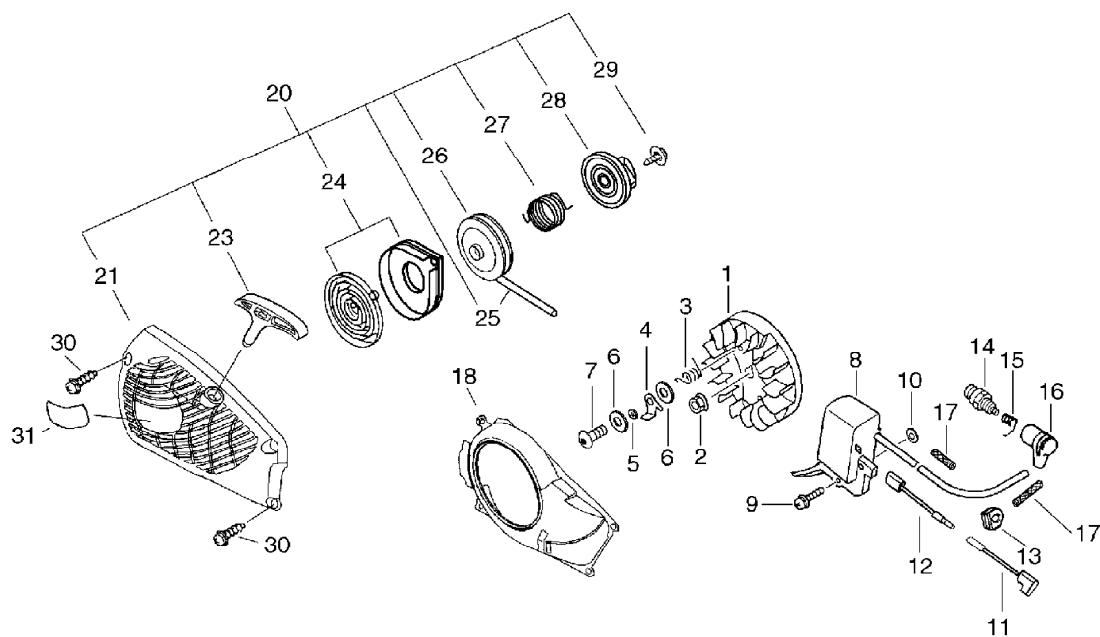
KEY	LV	PART NUMBER	Q'TY	DESCRIPTION	REMARKS
1		P021-009930	1	MUFFLER ASY	
2	+	A300-000370	1	MUFFLER,EXHAUST	
3	+	A303-000041	1	LID,MUFFLER	
4	+	145510-13931	1	GASKET, MUFFLER	
5	+	A301-000000	1	PLATE,MUFFLER	
6	+	91107-05040	2	BOLT HSH FLANGE	
7	+	900250-04008	1	SCREW 4*8	
8		A021-000863	1	CARBURETOR,DIAPHRAGM	
9		A204-000041	1	ELBOW,CARBURETOR	
10		900238-05050	2	SCREW 5*50	
12		A226-000291	1	ELEMENT,AIR FILTER	
13		A232-000160	1	LID,CLEANER	
14		A235-000040	1	KNOB,CLEANER LID	
15		X503-008820	1	LABEL,MODEL	
16		X505-007100	1	LABEL,CAUTION	
17		X505-001340	1	LABEL,CAUTION	

CS-350TES(70) 3 STARTER, MAGNETO



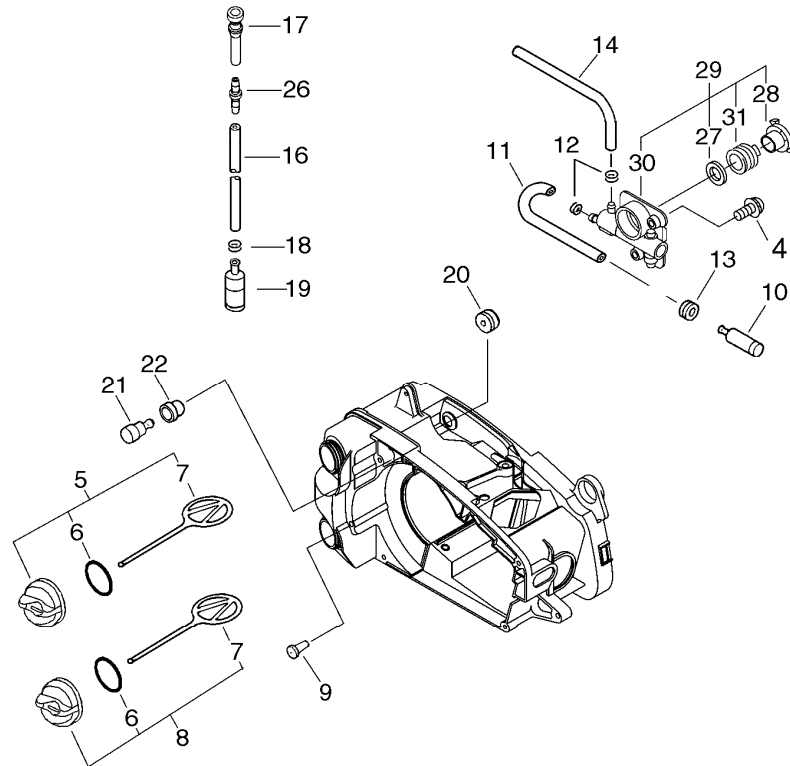
KEY	LV	PART NUMBER	Q'TY	DESCRIPTION	REMARKS
1		A409-000170	1	ROTOR,MAGNETO	
2		900515-00008	1	NUT, FLANGE 8	
3		177234-35430	2	SPRING, RETURN	
4		A514-000020	2	PAWL	
5		177247-04630	2	SPACER, RATCHET	
6		900603-00005	4	WASHER 5	
7		V203-000080	2	BOLT,5	
8		A411-000150	1	COIL,IGNITION	
9		900238-05022	2	SCREW 5*22	
10		150117-16430	2	SPACER	
11		162010-55930	1	LEARD, GROUND	
12		V485-000140	1	LEAD	
13		156110-04920	1	BUSHING	
14		159010-10230	1	PLUG, SPARK (BPMR-7A	
15		A426-000010	1	TERMINAL, SPARKPLUG	
16		A427-000013	1	CAP,SPARK PLUG	
17		V475-002390	2	TUBE	
18		A172-000501	1	COVER,FAN	
20		A051-000794	1	STARTER,RECOIL	
21	+	P022-008772	1	STARTER,RECOIL	
23	+	P022-005891	1	GRIP, STARTER	
24	+	P022-001330	1	SPRING KIT, REWIND	
25	+	P022-008440	1	ROPE, STARTER	
26	+	A506-000460	1	REEL,ROPE	
27	+	V452-001320	1	SPRING,TORSION	
28	+	A507-000110	1	CATCHER,PAWL	

CS-350TES(70) 3 STARTER, MAGNETO



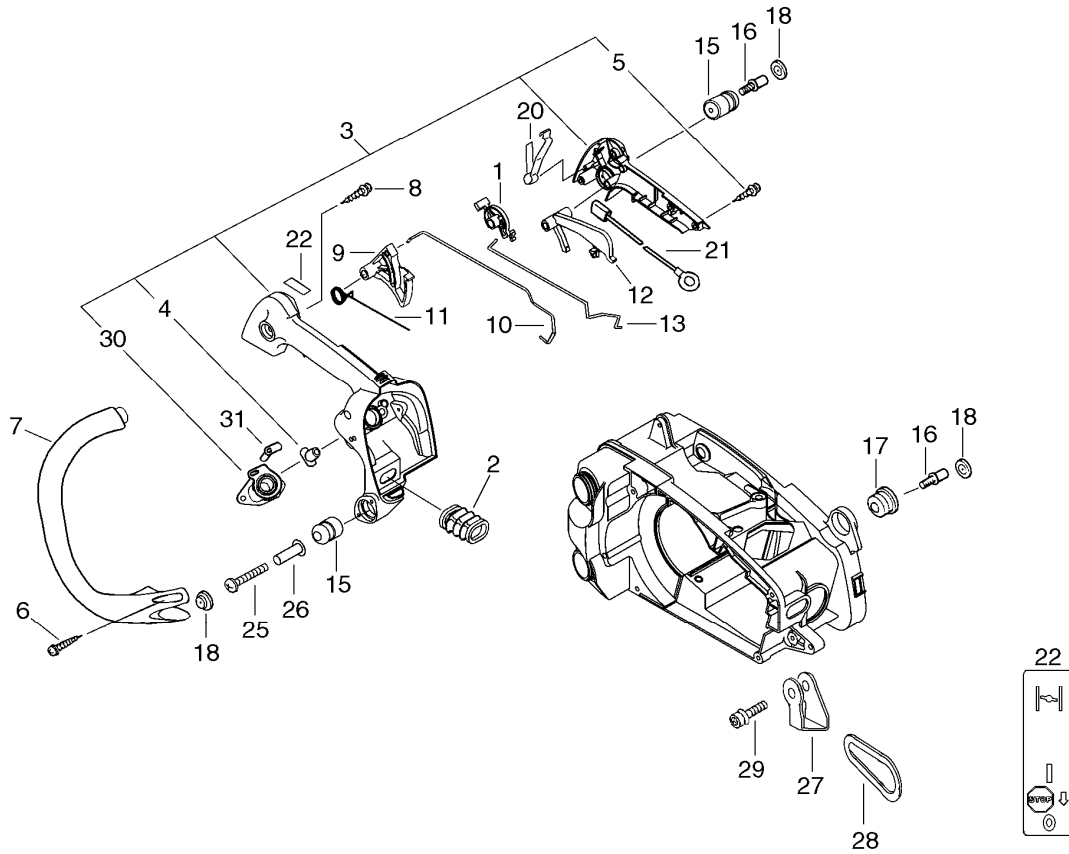
KEY	LV	PART NUMBER	Q'TY	DESCRIPTION	REMARKS
29	+	177236-61830	1	SCREW	
30		900256-04016	4	SCREW 4*16	
31		X502-000102	1	LABEL,ECHO	

CS-350TES(70) 4 AUTO-OILER



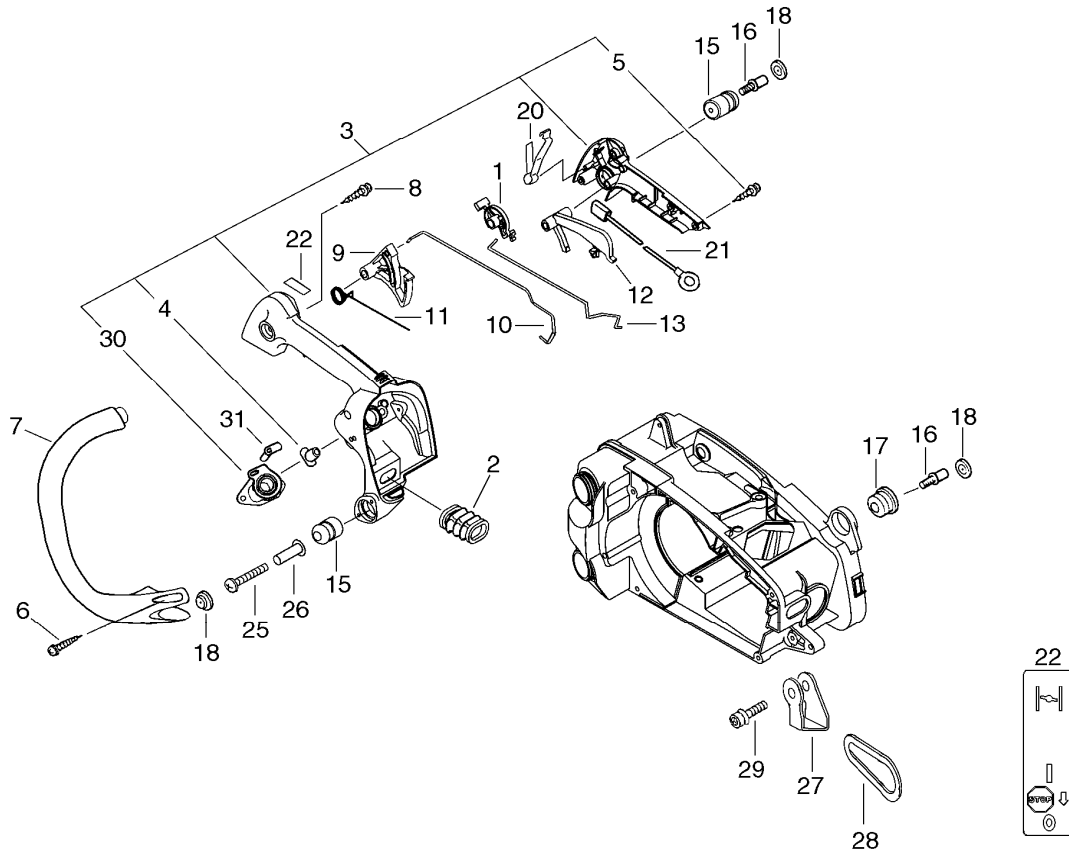
KEY	LV	PART NUMBER	Q'TY	DESCRIPTION	REMARKS
4		900238-04012	2	SCREW 4*12	
5		P021-005592	1	FUEL CAP ASY	
6	+	900720-00018	1	O-RING 18	
7	+	A365-000050	1	CONNECTOR,CAP	
8		P021-005581	1	OIL CAP ASY	
6	+	900720-00018	1	O-RING 18	
7	+	A365-000050	1	CONNECTOR,CAP	
9		436114-13930	1	VALVE, CHECK	
10		436205-02832	1	STRAINER, OIL	
11		V471-000740	1	PIPE	
12		V490-001230	2	CLIP	
13		132115-01461	1	GROMMET	
14		V471-000760	1	PIPE	
16		V471-000750	1	PIPE	
17		V470-000321	1	PIPE	
18		132013-09820	1	CLIP	
19		131205-14930	1	STRAINER,FUEL	
20		V137-000020	1	GROMMET,FUEL	
21		131300-56431	1	VENT ASSEMBLY, FUEL	
22		V137-000000	1	GROMMET,FUEL	
26		V186-000510	1	JOINT,PIPE	
29		P021-010890	1	AUTO-OILER ASY	
27	+	V308-000030	1	WASHER,CIRCULAR 11	
28	+	V356-000290	1	COLLAR,10	
30	+	C022-000020	1	AUTO-OILER ASSEMBLY	
31	+	V652-000030	1	GEAR,WORM	

CS-350TES(70) 5 HANDLE



KEY	LV	PART NUMBER	Q'TY	DESCRIPTION	REMARKS
1		A253-000043	1	LEVER,CONTROL	
2		A239-000000	1	PIPE,INTAKE	
3		P021-011510	1	HANDLE, REAR	
4	+	130020-33330	2	NUT	
5	+	900256-04016	4	SCREW 4*16	
30	+	A202-000033	1	BELLOWS,INTAKE	
6		900256-04016	2	SCREW 4*16	
7		C400-000160	1	HANDLE,FRONT	
8		900253-05020	1	SCREW 5*20	
9		C450-000010	1	TRIGGER,THROTTLE	
10		C454-000070	1	ROD,THROTTLE	
11		V452-000010	1	SPRING,TORSION	
12		C460-000002	1	LOCKOUT,THROTTLE	
13		A240-000010	1	ROD,CHOKE	
15		V400-000070	2	CUSHION,4	
16		V202-000000	2	BOLT,4	
17		100910-18830	1	CUSHION	
18		100918-15130	3	CAP	
20		V486-000010	1	TERMINAL,LEAD	
21		V485-000340	1	LEAD	
22		X524-000910	1	LABEL	
25		91481-04035	1	SCREW TAPPING	
26		V352-000020	1	COLLAR,4	
27		C626-000040	1	FIXTURE,HARNESS	
28		C646-000040	1	RING,HARNESS	
29		900162-04025	1	BOLT, H.S. 4*25	

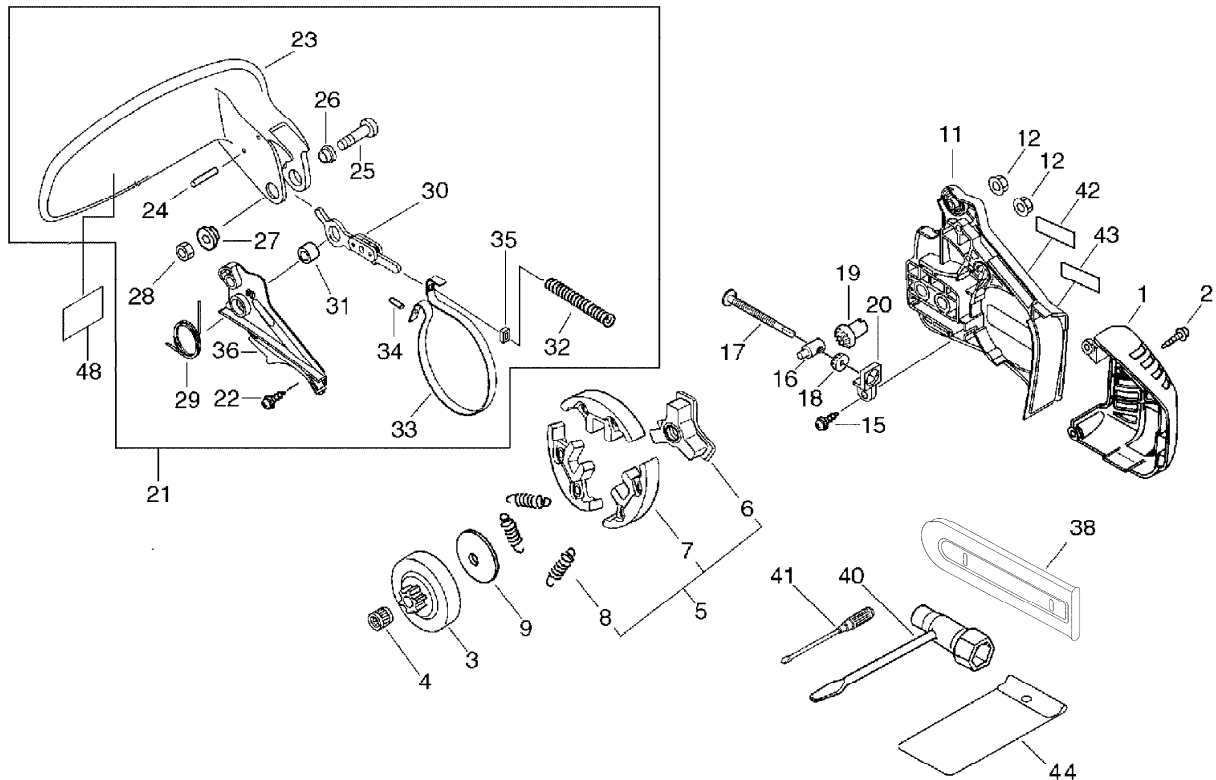
CS-350TES(70) 5 HANDLE



KEY	LV	PART NUMBER	Q'TY	DESCRIPTION	REMARKS
-----	----	-------------	------	-------------	---------

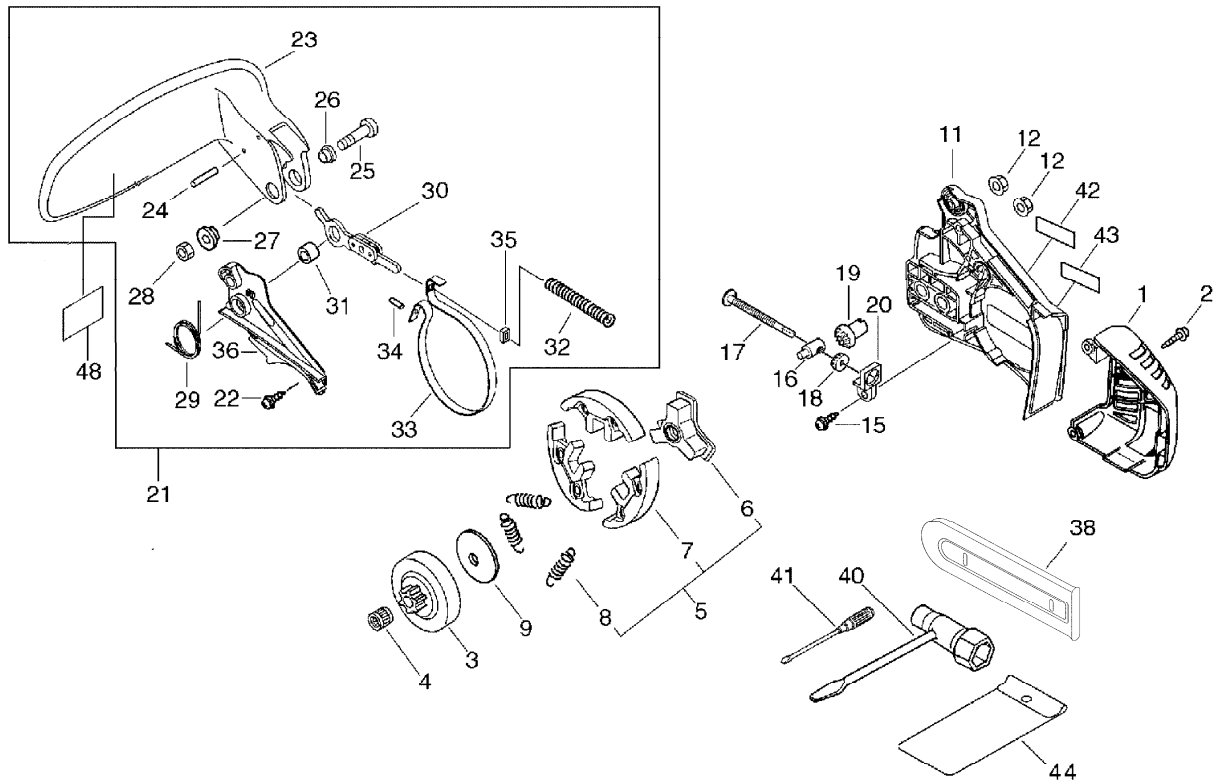
31		V351-000000	1	COLLAR,3	
----	--	-------------	---	----------	--

CS-350TES(70) 6 BRAKE, CLUTCH



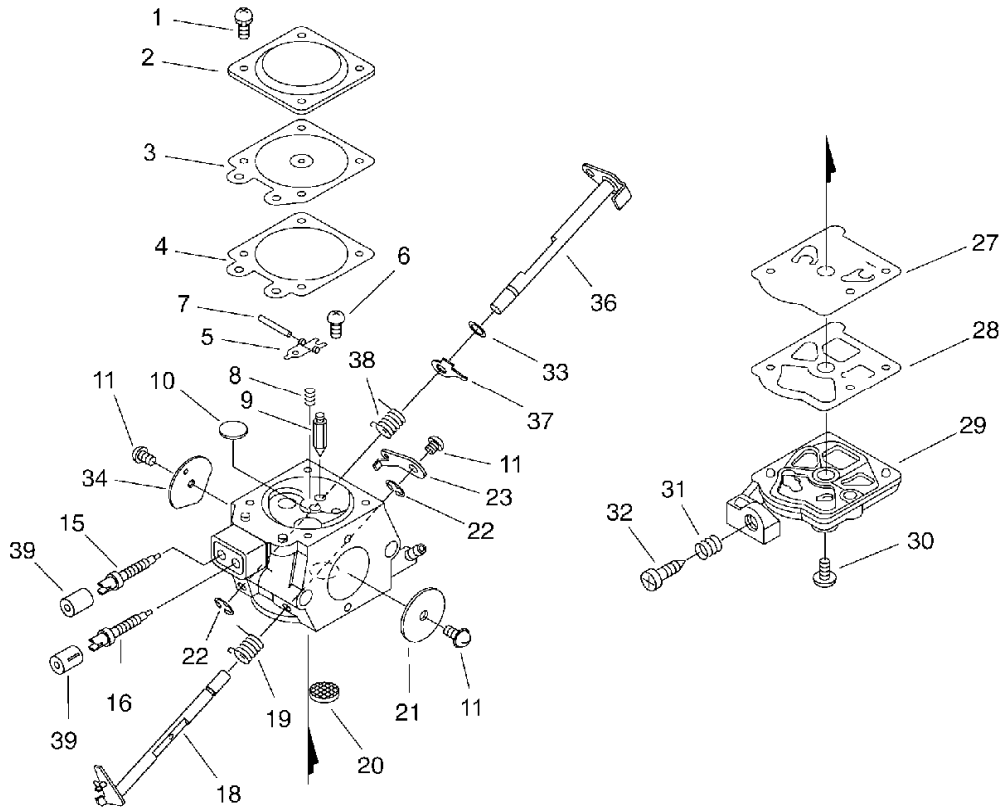
KEY	LV	PART NUMBER	Q'TY	DESCRIPTION	REMARKS
1		A320-000183	1	COVER,MUFFLER	
2		900253-04016	2	SCREW 4*16	
3		175005-39133	1	DRUM, CLUTCH	
4		V555-000150	1	BEARING,NEEDLE	
5		A056-000070	1	CLUTCH	
6	+	A552-000020	1	HUB,CLUTCH	
7	+	P021-005810	1	CLUTCH SHOE SET	
8	+	V451-000470	3	SPRING,TENSION	
9		A551-000010	1	PLATE,CLUTCH	
11		C300-000242	1	GUARD,SPROCKET	
12		433019-03933	2	NUT, FLANGE 6	
15		900253-04012	1	SCREW	
16		C309-000030	1	TENSIONER,CHAIN	
17		V203-000041	1	BOLT,5	
18		V651-000011	1	GEAR,BEVEL	
19		V651-000001	1	GEAR,BEVEL	
20		V355-000140	1	COLLAR,8	
21		C032-000206	1	BRAKE,ASM CHAIN	
22	+	900253-04012	3	SCREW	
23	+	C320-000034	1	LEVER,BRAKE	
24	+	900330-30260	2	ROLLER 3*26	
25	+	91318-05032	1	SCREW	
26	+	433167-39130	1	SPACER	
27	+	V353-000060	1	COLLAR,5	
28	+	900562-50005	1	LOCKNUT 5	
29	+	V452-000110	1	SPRING,TORSION	

CS-350TES(70) 6 BRAKE, CLUTCH



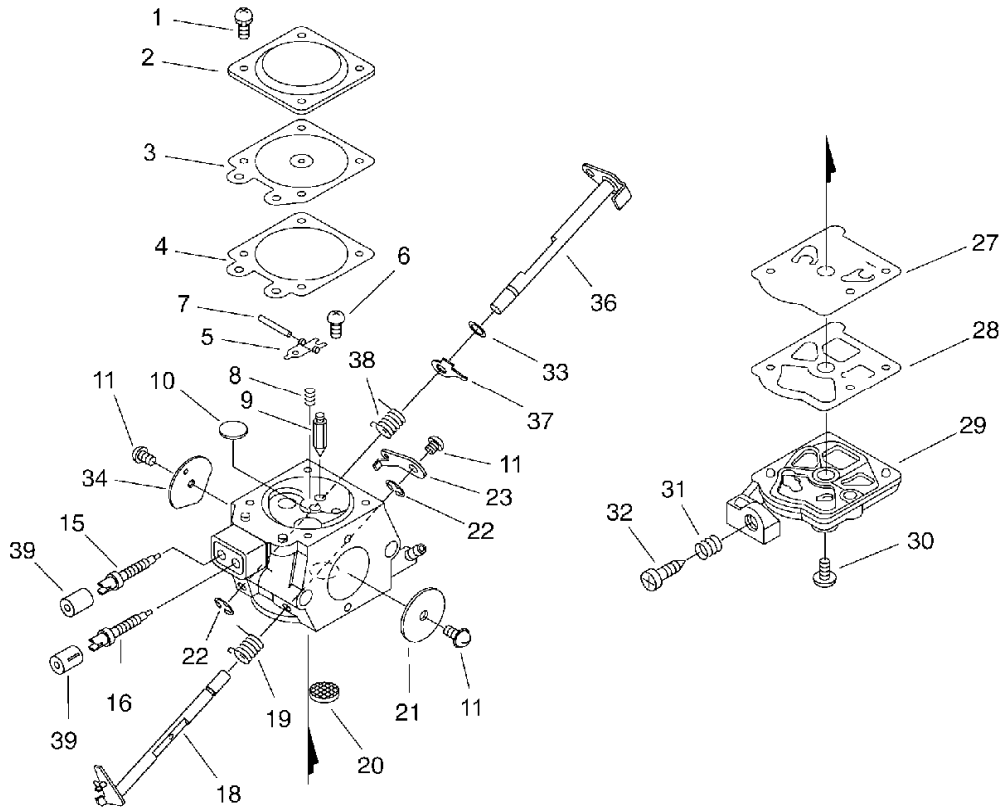
KEY	LV	PART NUMBER	Q'TY	DESCRIPTION	REMARKS
30	+	C334-000070	1	CONNECTOR,BRAKE	
31	+	433116-35430	1	SPACER 8	
32	+	V450-000070	1	SPRING,COMPRESSION	
33	+	C328-000030	1	BAND,BRAKE	
34	+	93050-30098	1	ROLLER	
35	+	V376-000450	1	SPACER	
36	+	C345-000084	1	COVER,BRAKE	
38		X490-000510	1	SCABBARD,CHAIN	
40		895410-03930	1	WRENCH, W/S. DRIVER	
41		895812-03930	1	DRIVER, SCREW 50	
42		X502-000340	1	LABEL,ECHO	
43		X505-002340	1	LABEL,CAUTION	
44		X698-000050	1	TOOL,CASE	
48		X505-002440	1	LABEL,CAUTION	

CS-350TES(70) 7 CARBURETOR



KEY	LV	PART NUMBER	Q'TY	DESCRIPTION	REMARKS
		A021-000863	1	CARBURETOR,DIAPHRAGM	
1	+	123130-02960	4	SCREW	
2	+	123142-03930	1	COVER, M. DIAPHRAGM	
3	+	P003-001850	1	DIAPHRAGM, METERING	
4	+	123140-03930	1	GASKET, M. DIAPHRAGM	
5	+	123123-03930	1	LEVER, METERING	
6	+	123139-03930	1	SCREW, M. LEVER PIN	
7	+	123138-03930	1	PIN, METERING LEVER	
8	+	123122-39830	1	SPRING, METER. LEVER	
9	+	123137-19830	1	VALVE, INLET NEEDLE	
10	+	123146-10631	1	PLUG, WELCH	
11	+	123114-38830	3	SCREW	
15	+	123118-02261	1	NEEDLE	
16	+	123120-52131	1	NEEDLE, HIGH SPEED	
18	+	P003-000480	1	SHAFT,THROTTLE	
19	+	123113-37530	1	SPRING, THROTTLE RTN	
20	+	123126-10631	1	SCREEN, INLET	
21	+	123116-10530	1	VALVE, THROTTLE	
22	+	123127-15030	2	RING	
23	+	P003-000380	1	THROTTLE, LEVER	
27	+	123112-15030	1	DIAPHRAGM, FUEL PUMP	
28	+	123125-15030	1	GASKET, FUEL PUMP	
29	+	123124-24430	1	COVER, FUEL PUMP	
30	+	123110-03930	1	SCREW, PUMP COVER	
31	+	123133-04260	1	SPRING, IDLE ADJUST	
32	+	123134-04260	1	SCREW, IDLE ADJUST	

CS-350TES(70) 7 CARBURETOR



KEY	LV	PART NUMBER	Q'TY	DESCRIPTION	REMARKS
33	+	123149-26030	1	WASHER	
34	+	123132-35430	1	VALVE, CHOKE	
36	+	P003-001140	1	SHAFT, CHOKE	
37	+	P003-001510	1	LEVER-FAST IDLE	
38	+	P003-001470	1	SPRING	
39	+	P003-000010	2	LIMITER CAP	

CS-350TES(70) 8 GUIDE BAR, CHAIN

GUIDE BAR		CHAIN	
1A	30RC50M-3/8	2A	91VXL-47E
1B	35RC50M-3/8	2B	91VXL-53E
1C	40RC50-3/8	2C	91VXL-58E

KEY	LV	PART NUMBER	Q'TY	DESCRIPTION	REMARKS
1A		X122-000072	1	BAR,GUIDE 30	
2A		X222-000130	1	CHAIN,SAW	
1B		X123-000132	1	BAR,GUIDE 35	
2B		X223-000080	1	CHAIN,SAW	
1C		430211-13432	1	BAR,GUIDE 40RC50-3/8	
2C		X224-000030	1	CHAIN,SAW	

Index

Patrs Number	Key No.	Patrs Number	Key No.	Patrs Number	Key No.
100013-15330	1 - 5	433167-39130	6 - 26	A239-000000	5 - 2
100014-60930	1 - 7	436114-13930	4 - 9	A240-000010	5 - 13
100015-04630	1 - 6	436205-02832	4 - 10	A253-000043	5 - 1
100142-12330	1 - 30	895410-03930	6 - 40	A300-000370	2 - 2
100910-18830	5 - 17	895812-03930	6 - 41	A301-000000	2 - 5
100918-15130	5 - 18	900106-05020	1 - 19	A303-000041	2 - 3
123110-03930	7 - 30	900106-05030	1 - 24	A320-000183	6 - 1
123112-15030	7 - 27	900162-04025	5 - 29	A365-000050	4 - 7
123113-37530	7 - 19	900162-05025	1 - 2	A365-000050	4 - 7
123114-38830	7 - 11	900238-04012	4 - 4	A409-000170	3 - 1
123116-10530	7 - 21	900238-05022	3 - 9	A411-000150	3 - 8
123118-02261	7 - 15	900238-05050	2 - 10	A426-000010	3 - 15
123120-52131	7 - 16	900250-04008	2 - 7	A427-000013	3 - 16
123122-39830	7 - 8	900253-04010	1 - 18	A506-000460	3 - 26
123123-03930	7 - 5	900253-04012	1 - 21	A507-000110	3 - 28
123124-24430	7 - 29	900253-04012	6 - 15	A514-000020	3 - 4
123125-15030	7 - 28	900253-04012	6 - 22	A551-000010	6 - 9
123126-10631	7 - 20	900253-04016	6 - 2	A552-000020	6 - 6
123127-15030	7 - 22	900253-05020	1 - 26	C022-000020	4 - 30
123130-02960	7 - 1	900253-05020	1 - 28	C032-000206	6 - 21
123132-35430	7 - 34	900253-05020	5 - 8	C300-000242	6 - 11
123133-04260	7 - 31	900256-04016	3 - 30	C304-000000	1 - 27
123134-04260	7 - 32	900256-04016	5 - 5	C305-000080	1 - 15
123137-19830	7 - 9	900256-04016	5 - 6	C309-000030	6 - 16
123138-03930	7 - 7	900330-30260	6 - 24	C320-000034	6 - 23
123139-03930	7 - 6	900515-00008	3 - 2	C328-000030	6 - 33
123140-03930	7 - 4	900562-50005	6 - 28	C334-000070	6 - 30
123142-03930	7 - 2	900603-00005	3 - 6	C345-000084	6 - 36
123146-10631	7 - 10	900720-00018	4 - 6	C400-000160	5 - 7
123149-26030	7 - 33	900720-00018	4 - 6	C450-000010	5 - 9
130020-33330	5 - 4	900724-00004	1 - 25	C454-000070	5 - 10
131205-14930	4 - 19	91107-05040	2 - 6	C460-000002	5 - 12
131300-56431	4 - 21	91318-05032	6 - 25	C626-000040	5 - 27
132013-09820	4 - 18	91420-05012	1 - 34	C646-000040	5 - 28
132115-01461	4 - 13	91481-04035	5 - 25	P003-000010	7 - 39
145510-13931	2 - 4	93050-30098	6 - 34	P003-000380	7 - 23
150117-16430	3 - 10	94035-36201	1 - 10	P003-000480	7 - 18
156110-04920	3 - 13	A021-000863	2 - 8	P003-001140	7 - 36
159010-10230	3 - 14	A021-000863	7 -	P003-001470	7 - 38
162010-55930	3 - 11	A051-000794	3 - 20	P003-001510	7 - 37
163911-30130	1 - 22	A056-000070	6 - 5	P003-001850	7 - 3
175005-39133	6 - 3	A101-000120	1 - 4	P021-005581	4 - 8
177234-35430	3 - 3	A127-000050	1 - 20	P021-005592	4 - 5
177236-61830	3 - 29	A172-000501	3 - 18	P021-005810	6 - 7
177247-04630	3 - 5	A202-000033	5 - 30	P021-008678	1 - 23
430211-13432	8 - 1C	A204-000041	2 - 9	P021-009230	1 - 3
433019-03933	6 - 12	A226-000291	2 - 12	P021-009250	1 - 1
433026-35430	1 - 36	A232-000160	2 - 13	P021-009930	2 - 1
433116-35430	6 - 31	A235-000040	2 - 14	P021-010703	1 - 9

Index

Patrs Number	Key No.	Patrs Number	Key No.	Patrs Number	Key No.
P021-010890	4 - 29	X502-000102	3 - 31		
P021-011510	5 - 3	X502-000340	6 - 42		
P022-001330	3 - 24	X503-008820	2 - 15		
P022-005891	3 - 23	X505-001340	2 - 17		
P022-008440	3 - 25	X505-002340	6 - 43		
P022-008772	3 - 21	X505-002440	6 - 48		
V137-000000	4 - 22	X505-007100	2 - 16		
V137-000020	4 - 20	X524-000910	5 - 22		
V186-000510	4 - 26	X698-000050	6 - 44		
V202-000000	5 - 16				
V203-000041	6 - 17				
V203-000080	3 - 7				
V224-000031	1 - 17				
V308-000030	4 - 27				
V351-000000	5 - 31				
V352-000020	5 - 26				
V353-000060	6 - 27				
V355-000140	6 - 20				
V356-000290	4 - 28				
V359-000060	1 - 32				
V376-000450	6 - 35				
V400-000070	5 - 15				
V450-000070	6 - 32				
V451-000470	6 - 8				
V452-000010	5 - 11				
V452-000110	6 - 29				
V452-001320	3 - 27				
V470-000321	4 - 17				
V470-000482	1 - 35				
V471-000740	4 - 11				
V471-000750	4 - 16				
V471-000760	4 - 14				
V475-002390	3 - 17				
V485-000140	3 - 12				
V485-000340	5 - 21				
V486-000010	5 - 20				
V490-001230	4 - 12				
V505-000011	1 - 11				
V553-000040	1 - 8				
V555-000150	6 - 4				
V651-000001	6 - 19				
V651-000011	6 - 18				
V652-000030	4 - 31				
X122-000072	8 - 1A				
X123-000132	8 - 1B				
X222-000130	8 - 2A				
X223-000080	8 - 2B				
X224-000030	8 - 2C				
X490-000510	6 - 38				

YAMABIKO CORPORATION

7-2 SUEHIROCHO 1-CHOME, OHME, TOKYO 198-8760, JAPAN
PHONE: 81-428-32-6118. FAX: 81-428-32-6145.



12Ec
No. 04-390