

Stand 12.11.2001

ERSATZTEILLISTE

ECHO Motorsäge
CS-4000, CS-4010
CS-4500, CS-4510

ECHO-Motorgeräte
Vertrieb Deutschland GmbH
Otto-Schott-Str. 7

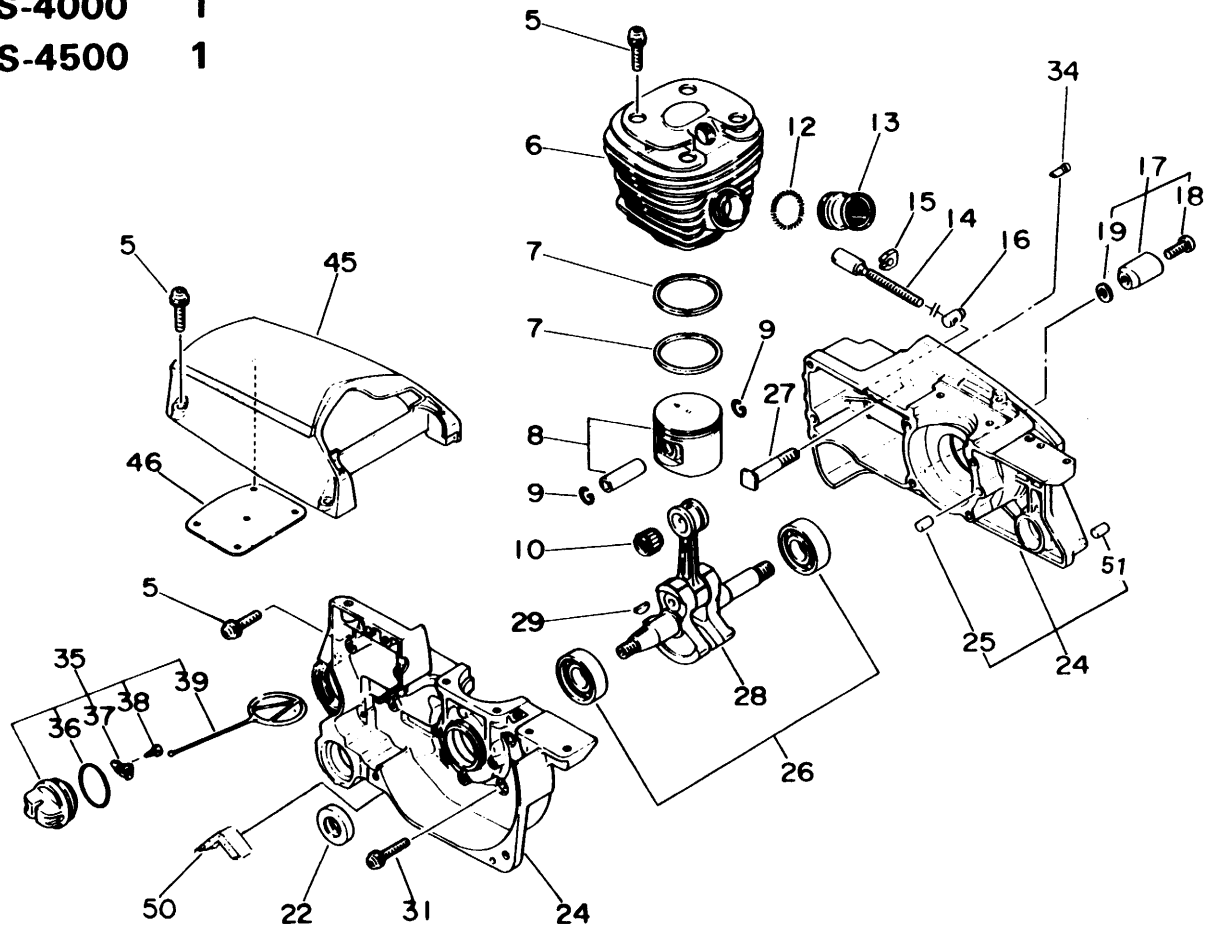
72555 Metzingen

Telefon 07123-1091
Telefax 07123-2589
<http://www.echo-shop.de>
email: info@echo-shop.de



CS-4000 1

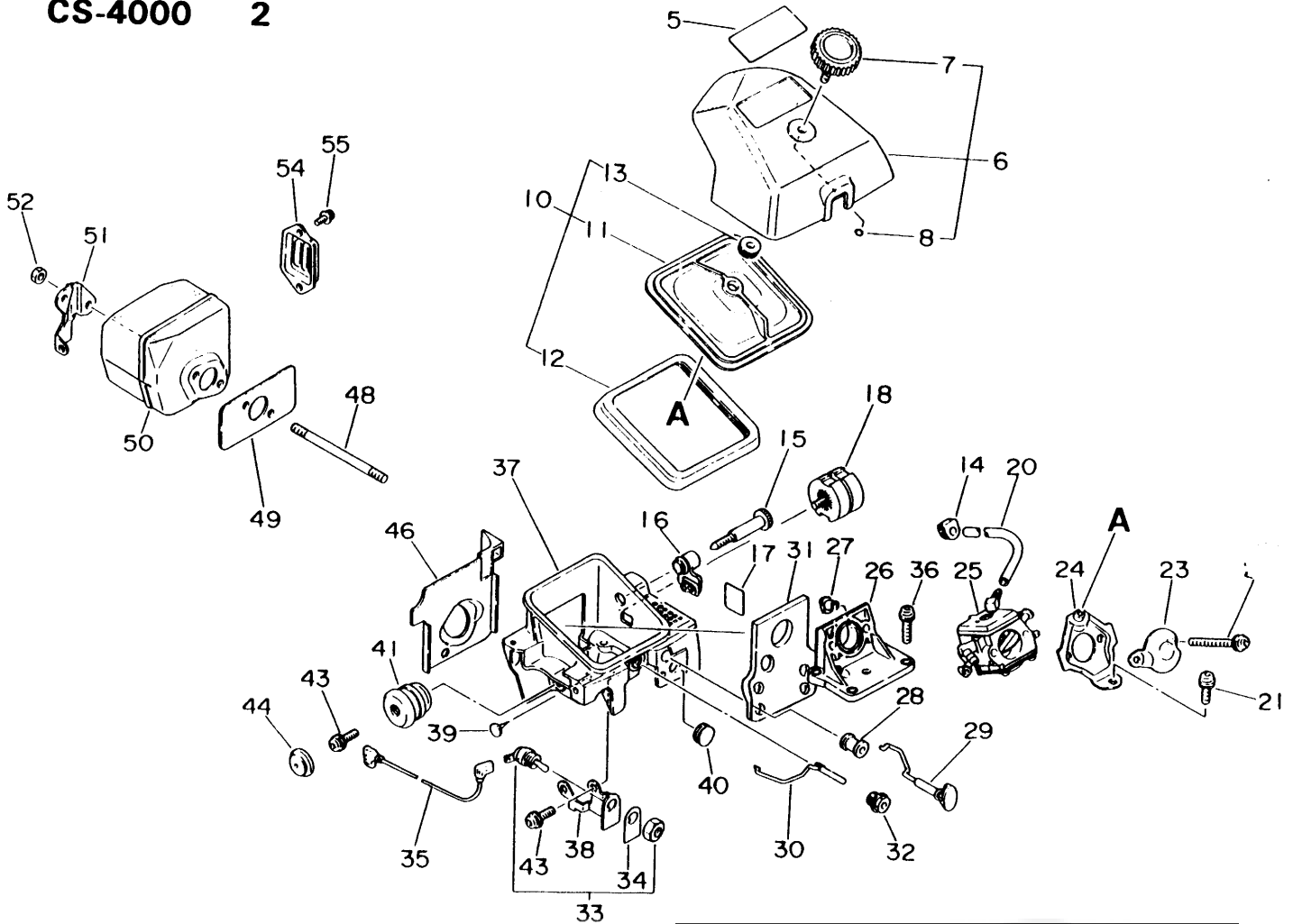
CS-4500 1



| Bild | Artikelnummer | Bezeichnung | Anzahl | Anmerkung |
|------|----------------|---------------------|--------|-----------|
| 5 | 900281-05020 | SCREW 5*20 | 9 | |
| 6 | 101005-19831 | CYLINDER | 1 | CS-4000 |
| 6 | 101005-19931 | CYLINDER | 1 | CS-4500 |
| 7 | 100011-19830 | RING, PISTON | 2 | CS-4000 |
| 7 | 100011-19930 | RING, PISTON | 2 | CS-4500 |
| 8 | 100003-19830 | PISTON W/PIN | 1 | CS-4000 |
| 8 | 100003-19930 | PISTON W/PIN | 1 | CS-4500 |
| 9 | 100015-00120 | CIRCLIP, PISTON PIN | 2 | |
| 12 | 130516-19830 | BAND | 1 | |
| 13 | 130510-19832 | ADAPTER, INTAKE | 1 | |
| 14 | 433016-11031 | SCREW, TENSIONER | 1 | |
| 15 | 433028-11030 | CLIP | 1 | |
| 16 | 433014-03932 | TENSIONER | 1 | |
| 17 | 433000-19831 | CATCHER KIT, CHAIN | 1 | |
| 18 | + 900281-05020 | SCREW 5*20 | 1 | |
| 19 | + 900600-00005 | WASHER 5 | 1 | |
| 24 | 100301-19832 | CRANKCASE KIT | 1 | |
| 22 | + 100212-19830 | OILSEAL | 1 | |

| Bild | Artikelnummer | Bezeichnung | Anzahl | Anmerkung |
|------|----------------|---------------------|--------|-----------|
| 25 | + 100215-02830 | PIN, DOWEL | 3 | |
| 26 | + 100121-19830 | BEARING, BALL | 1 | |
| 27 | + 433011-19830 | STUD, GUIDE BAR | 2 | |
| 34 | + 900301-20016 | PIN, SPLIT 2*16 | 1 | |
| 50 | + 100253-19830 | CUSHION (C) | 1 | |
| 28 | 100100-19830 | CRANKSHAFT ASSY | 1 | |
| 10 | + 100020-19830 | BEARING, NEEDLE (V) | 1 | |
| 10 | + 100021-19830 | BEARING, NEEDLE (B) | 1 | |
| 10 | + 100022-19830 | BEARING, NEEDLE (R) | 1 | |
| 29 | 100142-12330 | KEY, WOODRUFF | 1 | |
| 31 | 900281-05030 | SCREW 5*30 | 4 | |
| 35 | 436001-19832 | CAP ASSY, OIL TANK | 1 | |
| 36 | + 436012-19830 | O-RING | 1 | |
| 37 | + 131050-19830 | RETAINER, LINK | 1 | |
| 38 | + 900258-03008 | SCREW 3*8 | 1 | |
| 39 | + 131051-19830 | LINK | 1 | |
| 45 | 101514-30130 | COVER, CYLINDER | 1 | |
| 46 | 101520-19830 | COVER | 1 | |
| 51 | 900345-50010 | PIN, SPRING 5*10SUS | 1 | |

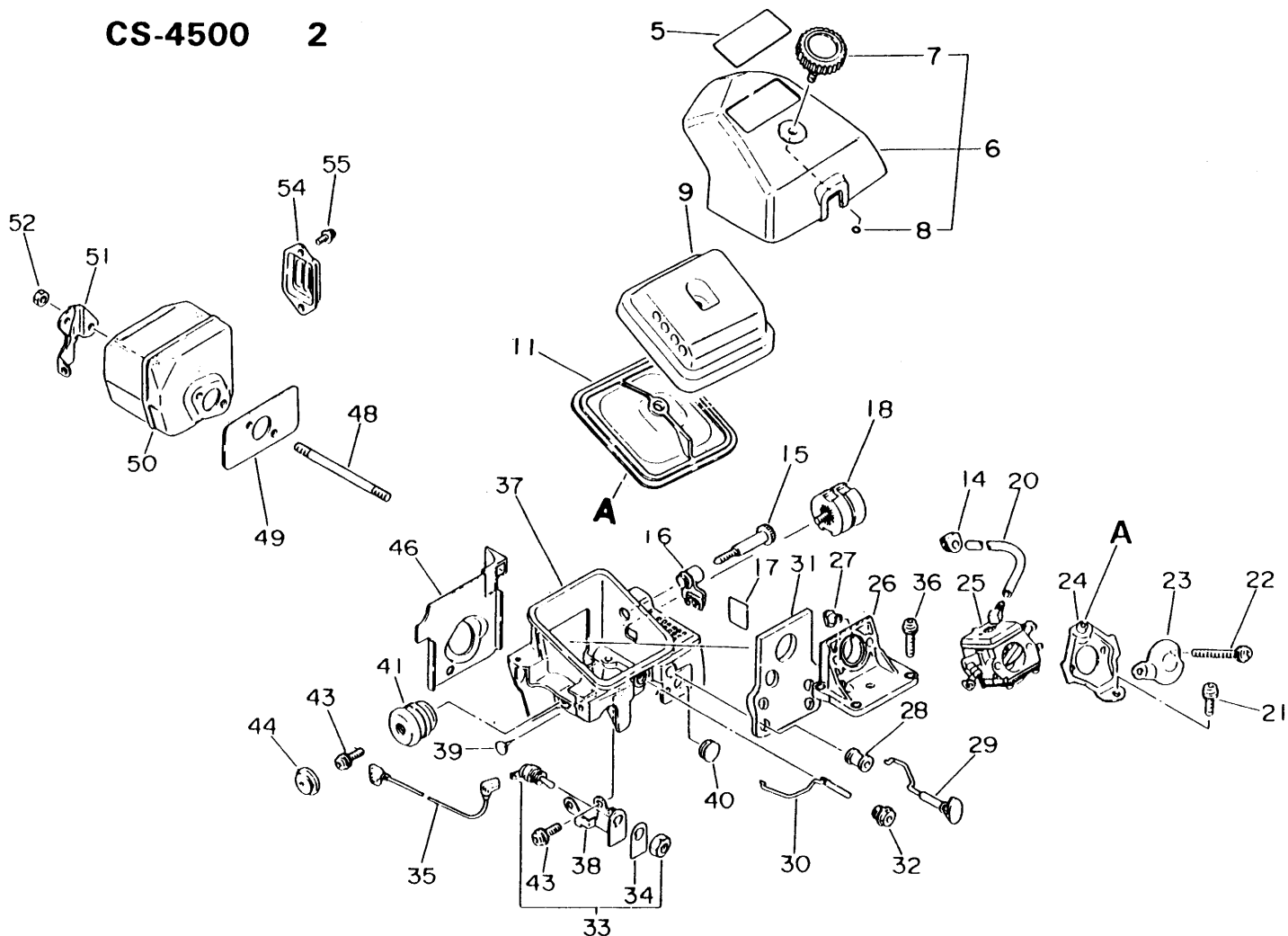
CS-4000 2



| Bild | Artikelnummer | Bezeichnung | Anzahl | Anmerkung |
|------|---------------|---------------------|--------|-----------|
| 29 | 178510-19830 | ROD, CHOKE | 1 | CS-4000 |
| 5 | 890613-30130 | LABEL, MODEL | 1 | CS-4000 |
| 6 | 130302-30130 | COVER, AIR CLN W/SC | 1 | CS-4000 |
| 7 + | 130406-19831 | NUT, THUMB | 1 | CS-4000 |
| 8 + | 900720-00003 | O-RING 3 | 1 | CS-4000 |
| 10 | 130303-19830 | FILTER, AIR W/SEAL | 1 | CS-4000 |
| 11 | 130310-19830 | FILTER, AIR | 1 | CS-4000 |
| 13 | 130356-19830 | GROMMET | 1 | CS-4000 |
| 14 | 150110-03930 | BUSHING | 1 | CS-4000 |
| 15 | 129013-19830 | SCREW, IDLE ADJUST | 1 | CS-4000 |
| 16 | 129010-19830 | GROMMET | 1 | CS-4000 |
| 17 | 890169-30130 | DECAL | 1 | CS-4000 |
| 18 | 100905-19830 | CUSHION | 1 | CS-4000 |
| 20 | 130110-19830 | PIPE, IMPULSE | 1 | CS-4000 |
| 21 | 900281-05014 | SCREW 5*14 | 1 | CS-4000 |
| 22 | 900281-05055 | SCREW 5*55 | 2 | CS-4000 |
| 23 | 129011-19831 | PLATE | 1 | CS-4000 |
| 24 | 130405-19831 | BRACKET, AIR CLEAN | 1 | CS-4000 |
| 25 | 123000-19833 | CARBURETOR ASSY | 1 | CS-4000 |
| 26 | 130007-19830 | INSULATOR | 1 | CS-4000 |
| 27 + | 130020-19830 | NUT | 2 | CS-4000 |
| 28 | 178810-11231 | GROMMET | 1 | CS-4000 |

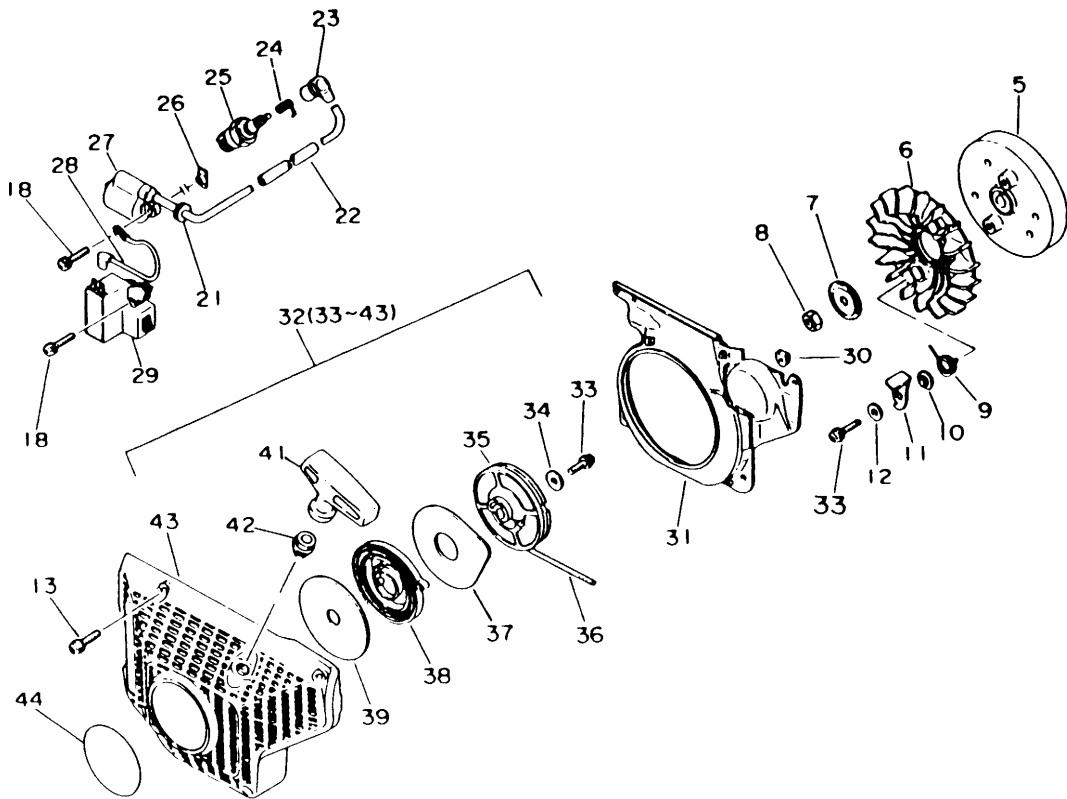
| Bild | Artikelnummer | Bezeichnung | Anzahl | Anmerkung |
|------|---------------|--------------------|--------|-----------|
| 29 | 178510-19830 | ROD, CHOKE | 1 | CS-4000 |
| 30 | 178307-19831 | ROD, THROTTLE ASS | 1 | CS-4000 |
| 31 | 130012-19830 | SEAL, DUST | 1 | CS-4000 |
| 32 | 178114-19830 | HOLDER, THR. LEVER | 1 | CS-4000 |
| 33 | 163400-30830 | SWITCH, IGNITION | 1 | CS-4000 |
| 34 | 890157-30130 | LABEL, SWITCH | 1 | CS-4000 |
| 35 | 162022-30131 | LEAD, GROUND | 1 | CS-4000 |
| 36 | 900281-05025 | SCREW 5*25 | 4 | CS-4000 |
| 37 | 130306-19831 | CASE, CARBURETOR | 1 | CS-4000 |
| 38 | 163810-30130 | BRACKET, SWITCH | 1 | CS-4000 |
| 39 | 130337-30130 | PLUG, CARB. CASE | 1 | CS-4000 |
| 40 | 163911-30130 | PLUG | 1 | CS-4000 |
| 41 | 100910-19830 | CUSHION | 1 | CS-4000 |
| 43 | 900281-05010 | SCREW 5*10 | 1 | CS-4000 |
| 44 | 100918-19830 | CAP, CUSHION | 1 | CS-4000 |
| 46 | 101529-19830 | PLATE, GUIDE | 1 | CS-4000 |
| 48 | 101014-19830 | STUD, MUFFLER | 2 | CS-4000 |
| 49 | 145510-19830 | GASKET, MUFFLER | 1 | CS-4000 |
| 50 | 145610-30130 | MUFFLER (C) | 1 | CS-4000 |
| 51 | 145711-19830 | BRACKET, MUFFLER | 1 | CS-4000 |
| 52 | 433020-00830 | LOCKNUT 5 | 2 | CS-4000 |
| 54 | 145861-19830 | LID, MUFFLER | 1 | CS-4000 |
| 55 | 900242-04008 | SCREW | 2 | CS-4000 |
| 70 | 178078-19830 | SPRING | 1 | CS-4000 |

CS-4500 2



| Bild | Artikelnummer | Bezeichnung | Anzahl | Anmerkung |
|------|---------------|---------------------|--------|-----------|
| 5 | 890613-30230 | LABEL, MODEL | 1 | CS-4500 |
| 6 | 130302-30130 | COVER, AIR CLN W/SC | 1 | CS-4500 |
| 7 + | 130406-19831 | NUT, THUMB | 1 | CS-4500 |
| 8 + | 900720-00003 | O-RING 3 | 1 | CS-4500 |
| 9 | 130351-30130 | ADAPTER | 1 | CS-4500 |
| 11 | 130310-19830 | FILTER, AIR | 1 | CS-4500 |
| 14 | 150110-03930 | BUSHING | 1 | CS-4500 |
| 15 | 129013-19830 | SCREW, IDLE ADJUST | 1 | CS-4500 |
| 16 | 129010-19830 | GROMMET | 1 | CS-4500 |
| 17 | 890169-30130 | DECAL | 1 | CS-4500 |
| 18 | 100905-19830 | CUSHION | 1 | CS-4500 |
| 20 | 130110-19830 | PIPE, IMPULSE | 1 | CS-4500 |
| 21 | 900281-05014 | SCREW 5*14 | 1 | CS-4500 |
| 22 | 900281-05055 | SCREW 5*55 | 2 | CS-4500 |
| 23 | 129011-19831 | PLATE | 1 | CS-4500 |
| 24 | 130405-19831 | BRACKET, AIR CLEAN | 1 | CS-4500 |
| 25 | 123000-19833 | CARBURETOR ASSY | 1 | CS-4500 |
| 26 | 130007-19830 | INSULATOR | 1 | CS-4500 |
| 27 + | 130020-19830 | NUT | 2 | CS-4500 |
| 28 | 178810-11231 | GROMMET | 1 | CS-4500 |
| 29 | 178510-19830 | ROD, CHOKE | 1 | CS-4500 |
| 30 | 178307-19831 | ROD, THROTTLE ASS | 1 | CS-4500 |

| Bild | Artikelnummer | Bezeichnung | Anzahl | Anmerkung |
|------|---------------|--------------------|--------|-----------|
| 31 | 130012-19830 | SEAL, DUST | 1 | CS-4500 |
| 32 | 178114-19830 | HOLDER, THR. LEVER | 1 | CS-4500 |
| 33 | 163400-30830 | SWITCH, IGNITION | 1 | CS-4500 |
| 34 | 890157-30130 | LABEL, SWITCH | 1 | CS-4500 |
| 35 | 162022-30131 | LEAD, GROUND | 1 | CS-4500 |
| 36 | 900281-05025 | SCREW 5*25 | 4 | CS-4500 |
| 37 | 130306-19831 | CASE, CARBURETOR | 1 | CS-4500 |
| 38 | 163810-30130 | BRACKET, SWITCH | 1 | CS-4500 |
| 39 | 130337-30130 | PLUG, CARB. CASE | 1 | CS-4500 |
| 40 | 163911-30130 | PLUG | 1 | CS-4500 |
| 41 | 100910-19830 | CUSHION | 1 | CS-4500 |
| 43 | 900281-05010 | SCREW 5*10 | 1 | CS-4500 |
| 44 | 100918-19830 | CAP, CUSHION | 1 | CS-4500 |
| 46 | 101529-19830 | PLATE, GUIDE | 1 | CS-4500 |
| 48 | 101014-19830 | STUD, MUFFLER | 2 | CS-4500 |
| 49 | 145510-19830 | GASKET, MUFFLER | 1 | CS-4500 |
| 50 | 145610-30130 | MUFFLER (C) | 1 | CS-4500 |
| 51 | 145711-19830 | BRACKET, MUFFLER | 1 | CS-4500 |
| 52 | 433020-00830 | LOCKNUT 5 | 2 | CS-4500 |
| 54 | 145861-19830 | LID, MUFFLER | 1 | CS-4500 |
| 55 | 900242-04008 | SCREW | 2 | CS-4500 |
| 70 | 178078-19830 | SPRING | 1 | CS-4500 |

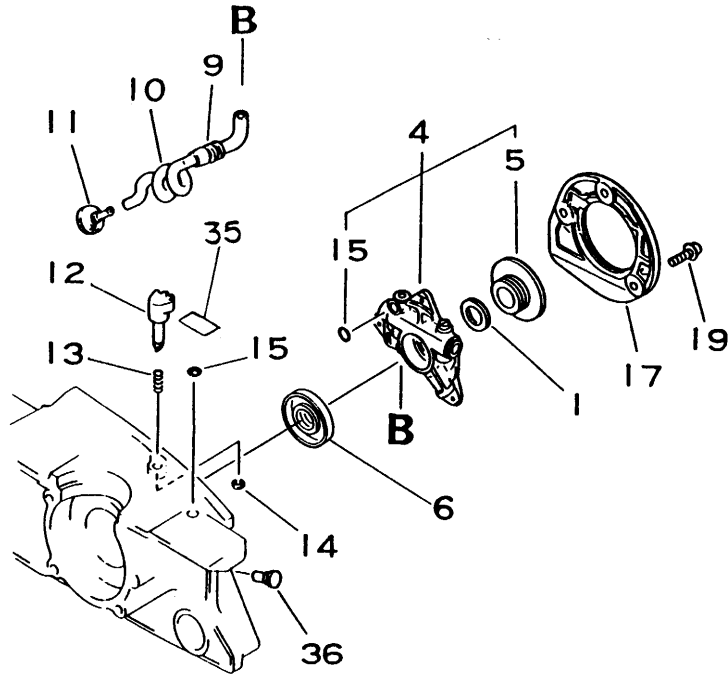
CS-4000 3
CS-4500 3


| Bild | Artikelnummer | Bezeichnung | Anzahl | Anmerkung |
|------|----------------|---------------------|--------|-----------|
| 5 | 156802-30130 | FLYWHEEL W/W.KEY | 1 | |
| | + 100142-30830 | KEY, WOODRUFF | 1 | |
| 6 | 101521-19830 | FAN, COOLING | 1 | |
| 7 | 100143-19830 | WASHER | 1 | |
| 8 | 900500-00008 | NUT 8 | 1 | |
| 9 | 177234-19830 | SPRING, RETURN | 2 | |
| 10 | 177247-19830 | SPACER, RATCHET | 2 | |
| 11 | 177218-14530 | PAWL, STARTER | 2 | |
| 12 | 900603-00005 | WASHER 5 | 2 | |
| 13 | 900281-05020 | SCREW 5*20 | 4 | |
| 18 | 900281-04020 | SCREW 4*20 | 4 | |
| 21 | 150112-00310 | BUSHING | 2 | |
| 22 | 156611-19830 | TUBE | 1 | |
| 23 | 159012-03433 | CAP, SPARK PLUG | 1 | |
| 24 | 159011-03432 | COIL, SPARK PLUG C | 1 | |
| 25 | 159017-16431 | PLUG, SPARK (CJ-6Y) | 1 | |
| 26 | 156618-30130 | NUT | 1 | |

| Bild | Artikelnummer | Bezeichnung | Anzahl | Anmerkung |
|------|----------------|--------------------|--------|-----------|
| 27 | 156626-30130 | COIL, IGNITION | 1 | |
| 28 | 156630-30130 | LEAD | 1 | |
| 29 | 156601-30131 | C.D.I. MODULE | 1 | |
| 30 | 156114-04920 | GROMMET | 1 | |
| 31 | 101535-19830 | COVER, FAN (INNER) | 1 | |
| 33 | 900281-05014 | SCREW 5*14 | 2 | |
| 32 | 177200-19830 | STARTER ASS'Y | 1 | |
| 33 | + 900281-05014 | SCREW 5*14 | 1 | |
| 34 | + 177214-02830 | WASHER | 1 | |
| 35 | + 177215-14531 | DRUM, STARTER | 1 | |
| 36 | + 177226-19830 | ROPE, STARTER | 1 | |
| 37 | + 177242-03930 | PLATE, STARTER | 1 | |
| 38 | + 177220-03930 | SPRING, REWIND | 1 | |
| 39 | + 177221-03930 | PLATE, STARTER | 1 | |
| 41 | + 177228-19830 | GRIP, STARTER | 1 | |
| 42 | + 177227-05020 | GUIDE, ROPE | 1 | |
| 43 | + 101507-19830 | COVER, FAN | 1 | |
| 44 | 890112-17831 | LABEL, ECHO | 1 | |

CS-4000 4

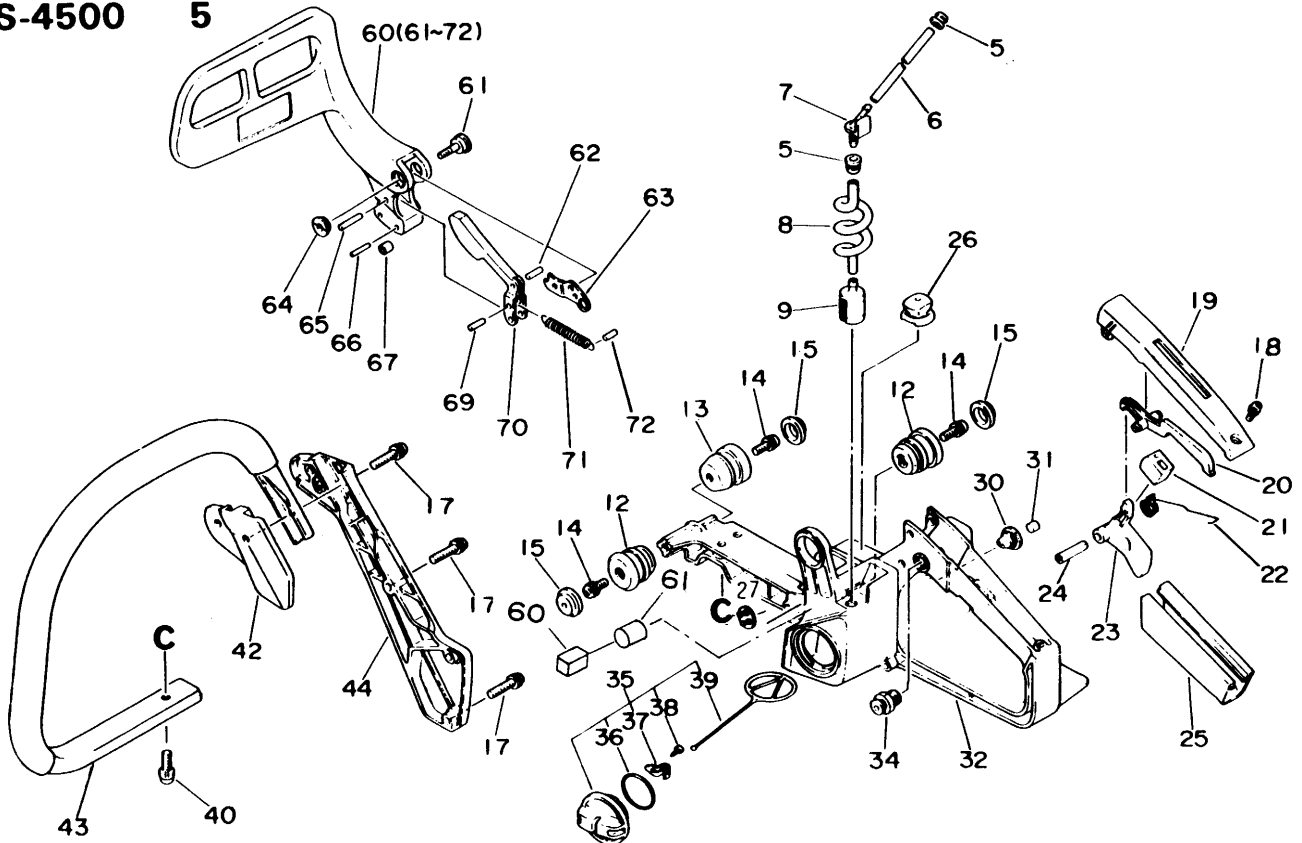
CS-4500 4



| Bild | Artikelnummer | Bezeichnung | Anzahl | Anmerkung |
|------|----------------|-------------------|--------|-----------|
| 1 | 100127-19830 | WASHER, ADJUSTING | 1 | |
| 4 | 437000-32330 | AUTO-OILER ASSY | 1 | |
| 5 | + 437063-30130 | WORM (S) | 1 | |
| 15 | + 900720-00003 | O-RING 3 | 1 | |
| 6 | 100212-32430 | OILSEAL (L) | 1 | |
| 9 | 132115-12330 | GROMMET | 1 | |
| 10 | 437210-19930 | PIPE, OIL | 1 | |
| 11 | 436205-14730 | STRAINER, OIL | 1 | |

| Bild | Artikelnummer | Bezeichnung | Anzahl | Anmerkung |
|------|---------------|-----------------|--------|-----------|
| 12 | 437039-19831 | KNOB | 1 | |
| 13 | 437015-19830 | SPRING | 1 | |
| 14 | 900700-00003 | E-RING 3 | 1 | |
| 15 | 900720-00003 | O-RING 3 | 1 | |
| 17 | 437605-32430 | COVER, OIL PUMP | 1 | |
| 19 | 900281-04014 | SCREW 4*14 | 3 | |
| 35 | 890155-30130 | LABEL, CAUTION | 1 | |
| 36 | 100610-30130 | PLUG | 1 | |

CS-4000 5
CS-4500 5

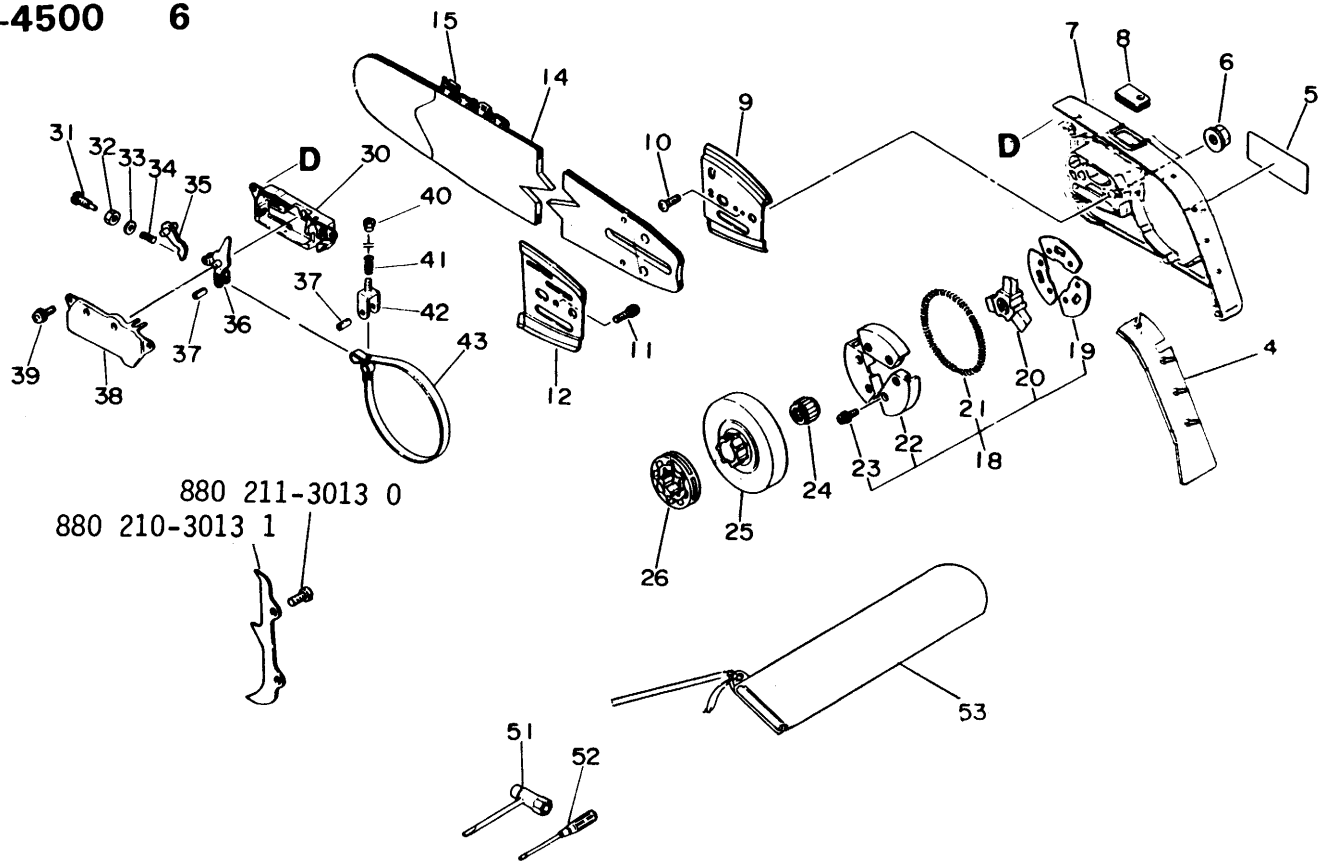


| Bild | Artikelnummer | Bezeichnung | Anzahl | Anmerkung |
|------|---------------|--------------------|--------|-----------|
| 5 | 132115-01460 | GROMMET | 2 | |
| 6 | 132012-19830 | PIPE 3*6*100 | 1 | |
| 7 | 132011-19830 | CONNECTOR, FUEL P | 1 | |
| 8 | 132010-19830 | PIPE | 1 | |
| 9 | 131205-19830 | STRAINER, FUEL | 1 | |
| 12 | 100910-19831 | CUSHION | 3 | |
| 13 | 100917-19830 | CUSHION | 1 | |
| 14 | 900281-05010 | SCREW 5*10 | 3 | |
| 15 | 100918-19830 | CAP, CUSHION | 3 | |
| 17 | 900281-05020 | SCREW 5*20 | 4 | |
| 18 | 900281-04014 | SCREW 4*14 | 1 | |
| 19 | 351155-30130 | COVER, HANDLE | 1 | |
| 20 | 178090-30130 | LOCKOUT, T. CONTRO | 1 | |
| 21 | 178073-19831 | CUSHION, THROTTLE | 1 | |
| 22 | 178043-19830 | SPRING, THR. RETUR | 1 | |
| 23 | 178010-19830 | CONTROL, THROTTLE | 1 | |
| 24 | 900340-50025 | PIN, SPRING 5*25 | 1 | |
| 25 | 351111-19830 | GRIP, HANDLE | 1 | |
| 30 | 131314-06320 | VALVE, CHECK | 1 | |
| 31 | 131315-05020 | FILTER | 1 | |
| 32 | 351103-19830 | HANDLE, W/FUEL TAN | 1 | |
| 26 + | 100251-19830 | CUSHION (A) | 1 | |

| Bild | Artikelnummer | Bezeichnung | Anzahl | Anmerkung |
|------|---------------|--------------------|--------|-----------|
| 27 + | 100252-19830 | CUSHION (B) | 1 | |
| 34 | 178302-30130 | LATCH, THROTTLE | 1 | |
| 35 | 131004-19830 | CAP ASSY, FUEL TAN | 1 | |
| 36 + | 900720-00029 | O-RING 29 | 1 | |
| 37 + | 131050-19830 | RETAINER, LINK | 1 | |
| 38 + | 900258-03008 | SCREW 3*8 | 1 | |
| 39 + | 131051-19830 | LINK | 1 | |
| 40 | 900281-05014 | SCREW 5*14 | 2 | |
| 42 | 351614-30130 | BRACKET, F. HANDLE | 1 | |
| 43 | 351606-30130 | HANDLE, FRONT | 1 | |
| 44 | 351613-30130 | SUPPORTER, F. HAND | 1 | |
| 60 | 433201-30130 | LEVER ASSY, BRAKE | 1 | |
| 61 + | 433113-30130 | SCREW | 1 | |
| 62 + | 900330-40080 | PIN F 4*8 | 1 | |
| 63 + | 433119-30130 | STOPPER (D) | 1 | |
| 64 + | 433137-30130 | NUT | 1 | |
| 65 + | 900330-30240 | PIN 3*24 | 1 | |
| 66 + | 900330-30180 | PIN 3*18 | 1 | |
| 67 + | 433168-19930 | SPACER (B) | 1 | |
| 69 + | 900340-30012 | PIN, SPRING 3*12 | 2 | |
| 70 + | 433170-30130 | TRIGGER, BRAKE | 1 | |
| 71 + | 433114-30130 | SPRING, RETURN | 1 | |
| 72 + | 900345-30014 | PIN, SPRING 3*14 | 1 | |

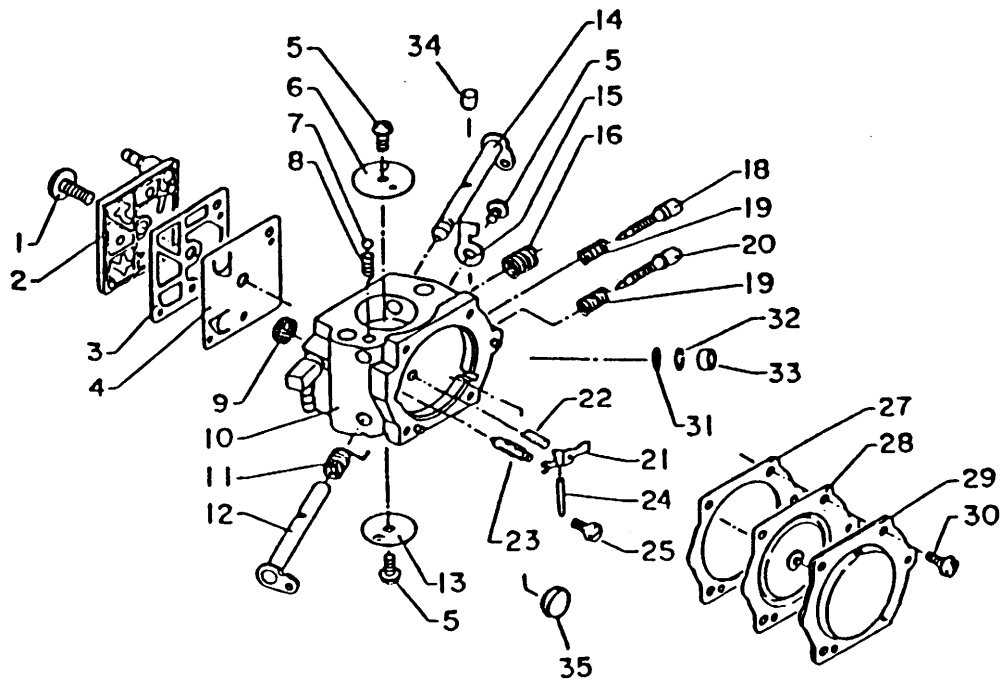
CS-4000 6

CS-4500 6



| Bild | Artikelnummer | Bezeichnung | Anzahl | Anmerkung |
|------|----------------|---------------------|--------|-----------|
| 5 | 890118-18331 | LABEL, ECHO | 1 | |
| 6 | 433019-12330 | NUT, FLANGE 8 | 1 | |
| 7 | 433002-19930 | GUARD, SPROCKET (A | 1 | |
| 4 | + 433025-19930 | PAD | 1 | |
| 8 | 433312-19930 | COVER, SEAL | 1 | |
| 9 | 433012-14533 | PLATE, GUIDE (OUTER | 1 | |
| 10 | 900241-03006 | SCREW 3*6 | 1 | |
| 11 | 900281-04010 | SCREW 4*10 | 1 | |
| 12 | 433013-19831 | PLATE, GUIDE (INNER | 1 | |
| 14 | 430513-30130 | BAR, GUIDE 33RV-325 | 1 | |
| 14 | 430521-30130 | BAR, GUIDE 38RV-325 | 1 | |
| 15 | 431713-16630 | CHAIN, SAW 21AP-56 | 1 | |
| 15 | 431721-30130 | CHAIN 21AP-64E | 1 | |
| 18 | 175000-19830 | CLUTCH ASSY | 1 | |
| 19 | + 175019-19830 | PLATE, CLUTCH | 3 | |
| 20 | + 175016-19830 | HUB, CLUTCH | 1 | |
| 21 | + 175018-19830 | SPRING, CLUTCH | 1 | |
| 22 | + 175002-19830 | SHOE, CLUTCH | 1 | |
| 23 | + 900281-04008 | SCREW 4*8 | 6 | |
| 24 | 175012-19830 | BEARING, NEEDLE | 1 | |
| 25 | 175105-19831 | DRUM, CLUTCH | 1 | |

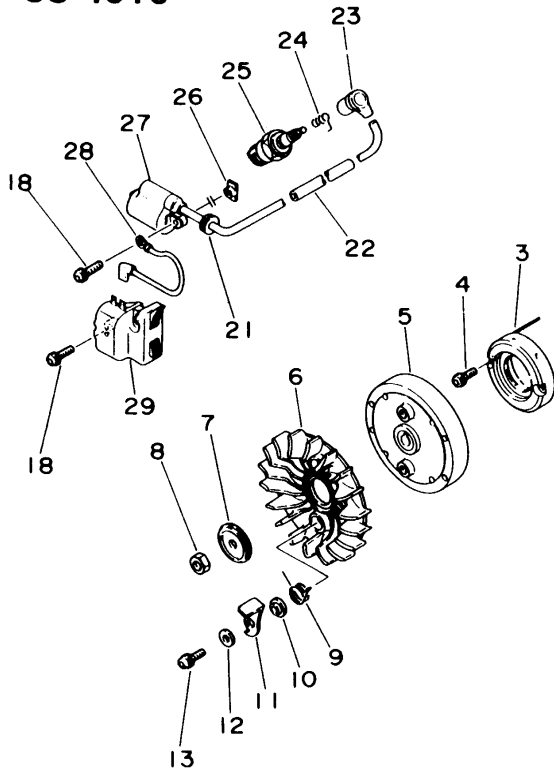
| Bild | Artikelnummer | Bezeichnung | Anzahl | Anmerkung |
|------|----------------|--------------------|--------|-----------|
| 26 | 175114-12530 | SPROCKET, RIM .325 | 1 | |
| | 433202-19931 | BRAKE KIT, CHAIN | 1 | |
| 30 | + 433306-19930 | COVER, BRAKE | 1 | |
| 31 | + 433133-19930 | BOLT | 1 | |
| 32 | + 900502-00005 | NUT 5 (3N) | 1 | |
| 33 | + 433162-19930 | WASHER | 1 | |
| 34 | + 433122-19930 | SPRING, BRAKE | 1 | |
| 35 | + 433209-19930 | STOPPER | 1 | |
| 36 | + 433208-19930 | LEVER, BRAKE | 1 | |
| 37 | + 900340-40010 | PIN, SPRING 4*10 | 2 | |
| 38 | + 433310-19931 | COVER, BRAKE | 1 | |
| 39 | + 900281-04010 | SCREW 4*10 | 2 | |
| 40 | + 433169-19931 | NUT, ADJUSTING | 1 | |
| 41 | + 433161-19930 | SPRING | 1 | |
| 42 | + 433142-19931 | ADJUSTER, BRAKE | 1 | |
| 43 | + 433123-19930 | BAND, BRAKE | 1 | |
| 48 | 880210-30131 | BUMPER, SPIKED | 1 | |
| 49 | 880211-30130 | BOLT | 2 | |
| 51 | 895410-02830 | WRENCH, W/S. DRIVE | 1 | |
| 52 | 895812-03930 | DRIVER, SCREW 50 | 1 | |
| 53 | 898513-14530 | SCABBARD, GUIDE BA | 1 | |

CS-4000 7
CS-4500 7


| Bild | Artikelnummer | Bezeichnung | Anzahl | Anmerkung |
|------|----------------|---------------------|--------|-----------|
| | 123000-19833 | CARBURETOR ASSY | 1 | |
| 1 | + 123110-03930 | SCREW, PUMP COVER | 1 | |
| 2 | + 123124-19830 | COVER, FUEL PUMP | 1 | |
| 3 | + 123125-12330 | GASKET, FUEL PUMP | 1 | |
| 4 | + 123112-12330 | DIAPHRAGM, FUEL PU | 1 | |
| 5 | + 123114-03930 | SCREW | 3 | |
| 6 | + 123132-17330 | VALVE, CHOKE | 1 | |
| 7 | + 123136-10630 | BALL, CHOKE FRICTIO | 1 | |
| 8 | + 123135-10630 | SPRING, CHOKE FRIC | 1 | |
| 9 | + 123126-10631 | SCREEN, INLET | 1 | |
| 11 | + 123113-16130 | SPRING, THRT. RETU | 1 | |
| 12 | + 123117-19830 | SHAFT, THROTTLE | 1 | |
| 13 | + 123116-10530 | VALVE, THROTTLE | 1 | |
| 14 | + 123131-19830 | SHAFT, CHOKE | 1 | |
| 15 | + 123156-12330 | STOP, THROTTLE | 1 | |
| 16 | + 123133-11130 | SPRING, IDLE ADJUST | 1 | |
| 18 | + 123118-18331 | NEEDLE, IDLE | 1 | |

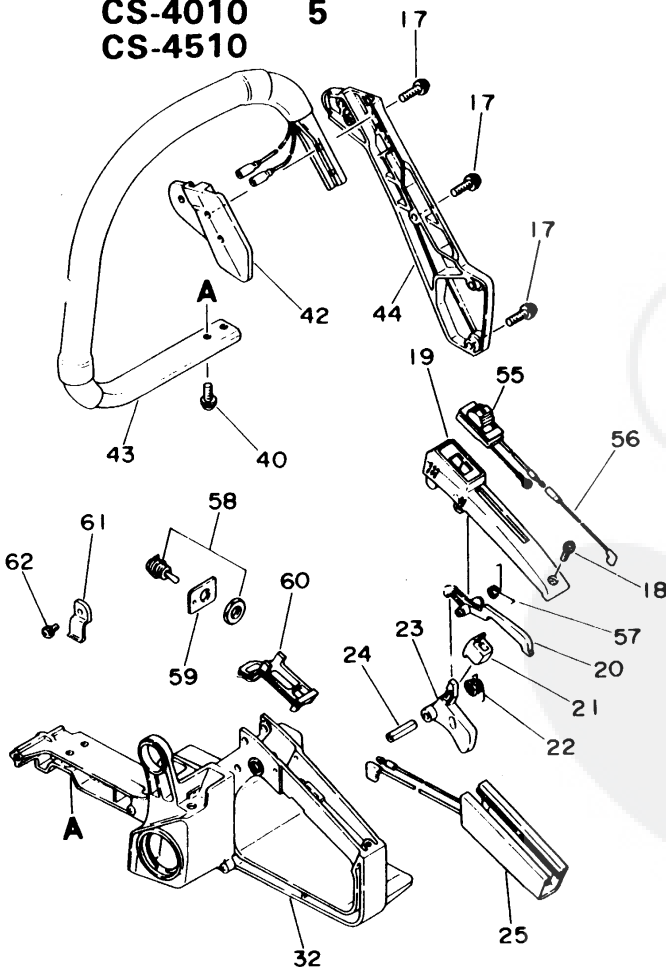
| Bild | Artikelnummer | Bezeichnung | Anzahl | Anmerkung |
|------|----------------|---------------------|--------|-----------|
| 19 | + 123121-03930 | SPRING, NEEDLE | 2 | |
| 20 | + 123120-18431 | NEEDLE, HIGH SPEED | 1 | |
| 21 | + 123123-18330 | LEVER, METERING | 1 | |
| 22 | + 123122-11130 | SPRING, METER. LEV | 1 | |
| 23 | + 123137-16130 | VALVE, INLET NEEDLE | 1 | |
| 24 | + 123138-03930 | PIN, METERING LEVE | 1 | |
| 25 | + 123139-03930 | SCREW, M. LEVER PIN | 1 | |
| 27 | + 123140-16131 | GASKET, M. DIAPHRA | 1 | |
| 28 | + 123141-16131 | DIAPHRAGM, METER | 1 | |
| 29 | + 123142-17330 | COVER, M. DIAPHRA | 1 | |
| 30 | + 123130-02960 | SCREW | 4 | |
| 31 | + 123168-10631 | SCREEN | 1 | |
| 32 | + 123169-10630 | RING, RETAINING | 1 | |
| 33 | + 123146-17330 | PLUG, CUP | 1 | |
| 34 | + 123178-15030 | PLUG, FRICTION | 1 | |
| 35 | + 123146-10630 | PLUG, WELCH | 1 | |

CS-4010 3
CS-4510



| Bild | Artikelnummer | Bezeichnung | Anzahl | Anmerkung |
|------|---------------|---------------------|--------|-----------------|
| 3 | 156638-32130 | COIL, STATOR | 1 | CS-4010,CS-4510 |
| 4 | 900281-04016 | SCREW 4*16 | 2 | CS-4010,CS-4510 |
| 5 | 156800-32130 | FLYWHEEL | 1 | CS-4010,CS-4510 |
| 6 | 101521-19830 | FAN, COOLING | 1 | CS-4010,CS-4510 |
| 7 | 100143-19830 | WASHER | 1 | CS-4010,CS-4510 |
| 8 | 900500-00008 | NUT 8 | 1 | CS-4010,CS-4510 |
| 9 | 177234-19830 | SPRING, RETURN | 2 | CS-4010,CS-4510 |
| 10 | 177247-19830 | SPACER, RATCHET | 2 | CS-4010,CS-4510 |
| 11 | 177218-14530 | PAWL, STARTER | 2 | CS-4010,CS-4510 |
| 12 | 900603-00005 | WASHER 5 | 2 | CS-4010,CS-4510 |
| 13 | 900281-05014 | SCREW 5*14 | 2 | CS-4010,CS-4510 |
| 18 | 900281-04020 | SCREW 4*20 | 4 | CS-4010,CS-4510 |
| 21 | 150112-00310 | BUSHING | 2 | CS-4010,CS-4510 |
| 22 | 156611-19830 | TUBE | 1 | CS-4010,CS-4510 |
| 23 | 159012-03433 | CAP, SPARK PLUG | 1 | CS-4010,CS-4510 |
| 24 | 159011-03432 | COIL, SPARK PLUG C | 1 | CS-4010,CS-4510 |
| 25 | 159017-16431 | PLUG, SPARK (CJ-6Y) | 1 | CS-4010,CS-4510 |
| 26 | 156618-30130 | NUT | 1 | CS-4010,CS-4510 |
| 27 | 156626-30130 | COIL, IGNITION | 1 | CS-4010,CS-4510 |
| 28 | 156630-30130 | LEAD | 1 | CS-4010,CS-4510 |
| 29 | 156601-30131 | C.D.I. MODULE | 1 | CS-4010,CS-4510 |

CS-4010 5
CS-4510



| Bild | Artikelnummer | Bezeichnung | Anzahl | Anmerkung |
|------|---------------|---------------------|--------|-----------------|
| 17 | 900281-05020 | SCREW 5*20 | 5 | CS-4010,CS-4510 |
| 18 | 900281-04014 | SCREW 4*14 | 1 | CS-4010,CS-4510 |
| 19 | 351155-32130 | COVER, HANDLE | 1 | CS-4010,CS-4510 |
| 20 | 178090-19830 | LOCKOUT, T. CONTRO | 1 | CS-4010,CS-4510 |
| 21 | 178073-19831 | CUSHION, THROTTLE | 1 | CS-4010,CS-4510 |
| 22 | 178043-32130 | SPRING, THR, RETUR | 1 | CS-4010,CS-4510 |
| 23 | 178010-19830 | CONTROL, THROTTLE | 1 | CS-4010,CS-4510 |
| 24 | 900345-50025 | PIN, SPRING 5*25SUS | 1 | CS-4010,CS-4510 |
| 25 | 351102-32130 | GRIP ASSY, F-HANDL | 1 | CS-4010,CS-4510 |
| 32 | 351103-32130 | HANDLE, REAR | 1 | CS-4010,CS-4510 |
| 40 | 900281-05014 | SCREW 5*14 | 2 | CS-4010,CS-4510 |
| 42 | 351614-30130 | BRACKET, F. HANDLE | 1 | CS-4010,CS-4510 |
| 43 | 351606-32130 | HANDLE, FRONT | 1 | CS-4010,CS-4510 |
| 44 | 351613-30130 | SUPPORTER, F. HAND | 1 | CS-4010,CS-4510 |
| 55 | 163400-32130 | SWITCH, IGNITION | 1 | CS-4010,CS-4510 |
| 56 | 162022-32130 | LEAD, GROUND | 1 | CS-4010,CS-4510 |
| 57 | 178091-32130 | SPRING, THR, LOCKO | 1 | CS-4010,CS-4510 |
| 58 | 163400-19831 | SWITCH, IGNITION | 1 | CS-4010,CS-4510 |
| 59 | 890157-32130 | LABEL, SWITCH | 1 | CS-4010,CS-4510 |
| 60 | 159118-32130 | GUIDE, CORD | 1 | CS-4010,CS-4510 |
| 61 | 159112-32130 | CLIP | 1 | CS-4010,CS-4510 |
| 62 | 900281-04008 | SCREW 4*8 | 1 | CS-4010,CS-4510 |

ECHO®

Motorgeräte

die geh'n ran

