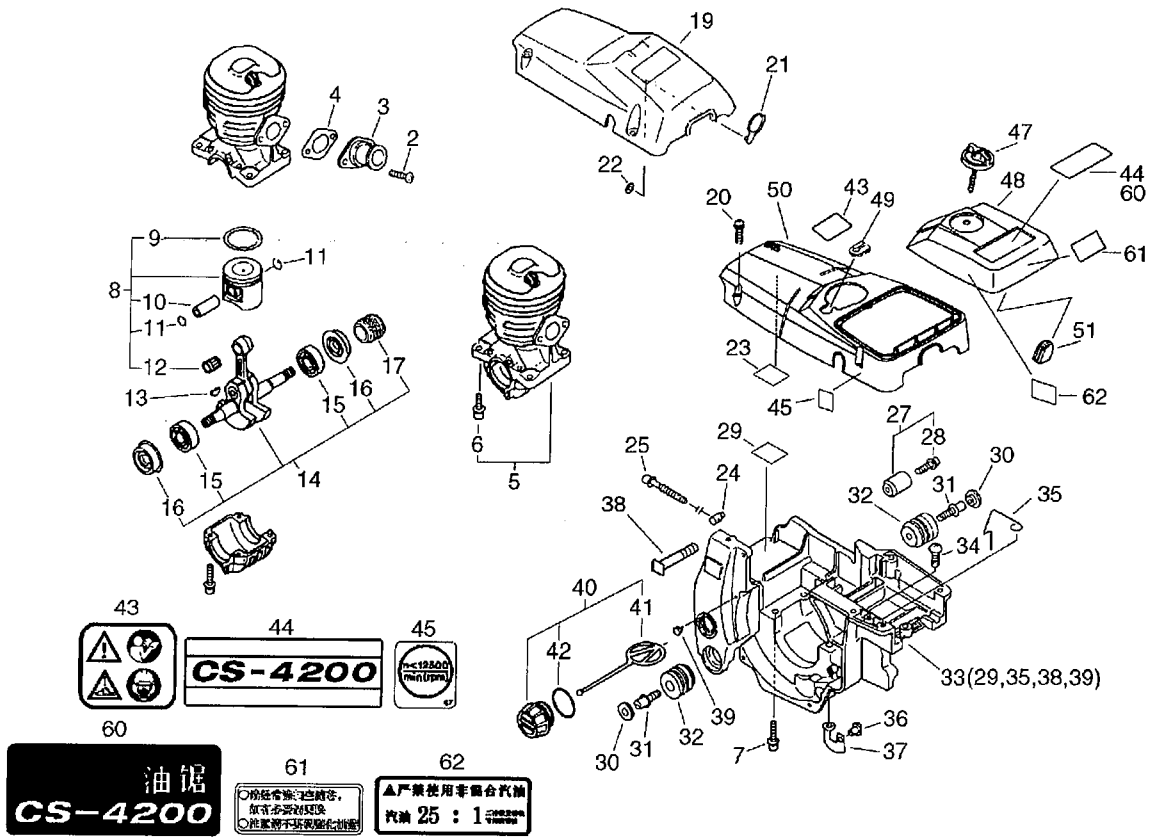


CS-4200(6digits)(21), -1--1, Cylinder, Crankcase, Piston(Sr/Nr 21001367 and before)  
 CS-4200(6digits)(21), 2008/11/28



CS-4200(6digits)(21), -1--1, Cylinder, Crankcase, Piston(Sr/Nr 21001367 and before)  
 CS-4200(6digits)(21), 2008/11/28

Key	Lv	Part no.	Part description	Quantity	Note1	Note2
2		900238-05012	SCREW 5*12	2		
3		130510-39930	ADAPTER, INTAKE	1	Sus. by 130510-39932	
3		130510-39931	ADAPTER, INTAKE	1	Sus. by 130510-39932	
3		130510-39932	ADAPTER, INTAKE	1		
4		130016-39930	GASKET, INTAKE	1		
5		100202-59530	CRANKCASE SET	1	Sus. by P021-004131	
5		P021-004130	CRANKCASE SET	1	Sus. by P021-004131	
5		P021-004131	CRANKCASE SET	1		
6	+	900162-05022	BOLT, H.S. 5*22	4		
7		900162-05030	BOLT, H.S. 5*30	4		
8		100000-59530	PISTON KIT	1	Sus. by 100000-59531	
8		100000-59531	PISTON KIT	1		
9	+	100011-37330	RING, PISTON	1		
10	+	100013-35430	PIN, PISTON	1		
11	+	100015-03930	CIRCLIP, PISTON PIN	2	Sus. by 100015-03931	
11	+	100015-03931	CIRCLIP, PISTON PIN	2		
12	+	100012-35430	BEARING, NEEDLE	1		
13		100142-39130	KEY, WOODRUFF	1		
14		100101-39930	CRANKSHAFT	1	Sr/Nr 044650 and before	
14		P021-007240	CRANKSHAFT ASY	1	Sr/Nr 044651 and after	
15	+	900810-36201	BEARING, BALL 6201	2	Sus. by 900888-36201	
15	+	900888-36201	BEARING, BALL 6201	2		
16	+	100213-38330	OILSEAL	2	Sr/Nr 044650 and before	
16	+	V505-000010	SEAL,OIL 12	2	Sr/Nr 044651 and after	
17	+	437063-38330	GEAR, WORM	1		
19		101501-59530	COVER, CYLINDER	1	Sr/Nr 040770 and before	
19		A160-000014	COVER,CYLINDER	1	Sus. by A160-000015	
19		A160-000015	COVER,CYLINDER	1		
20	+	163890-38330	BOLT, 5	3	Sr/Nr 040770 and before	
20		163890-38330	BOLT, 5	3	Sr/Nr 040771 and after	
21	+	101579-38330	PLATE, WIND PROOF	1	Sr/Nr 040770 and before	
22	+	900580-00004	PUSH, RING	1	Sr/Nr 040770 and before	
23		101520-35430	COVER	1		

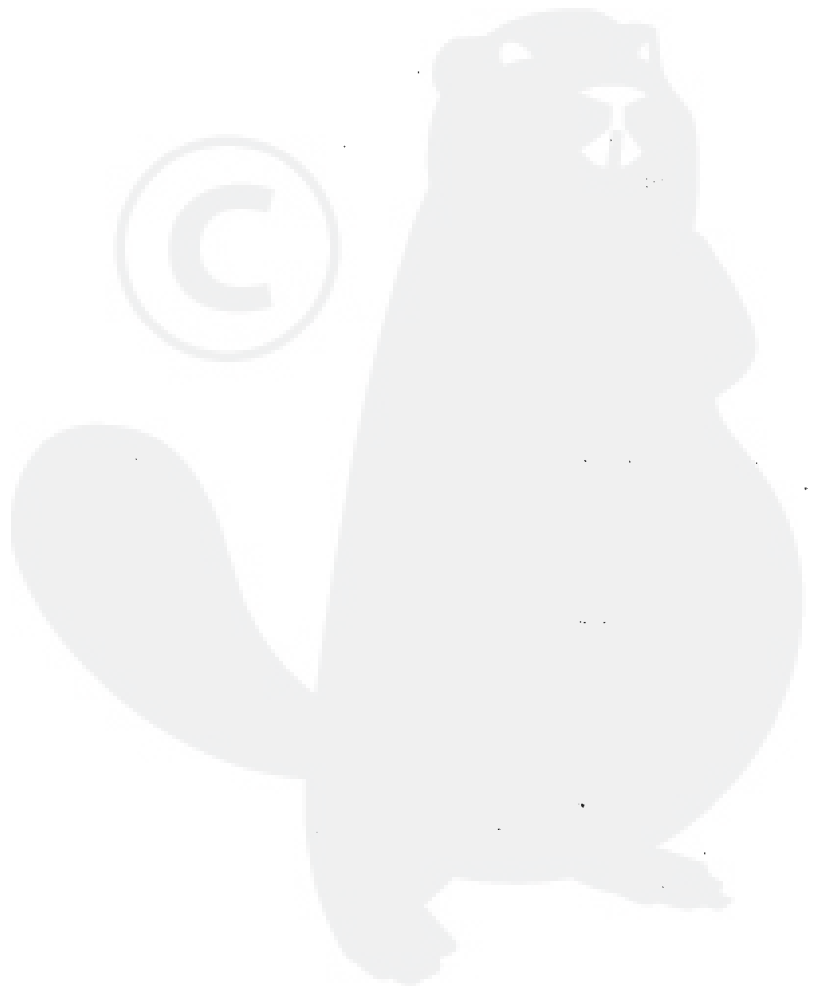
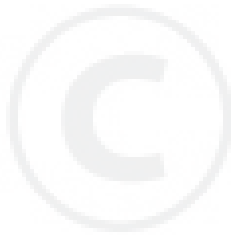
24		433014-03931	TENSIONER	1	Sr/Nr 013860 and before	
25		433016-39131	BOLT	1	Sr/Nr 013860 and before	
27		433000-60930	CATCHER KIT, CHAIN	1		

CS-4200(6digits)(21), -1--1, Cylinder, Crankcase, Piston(Sr/Nr 21001367 and before)

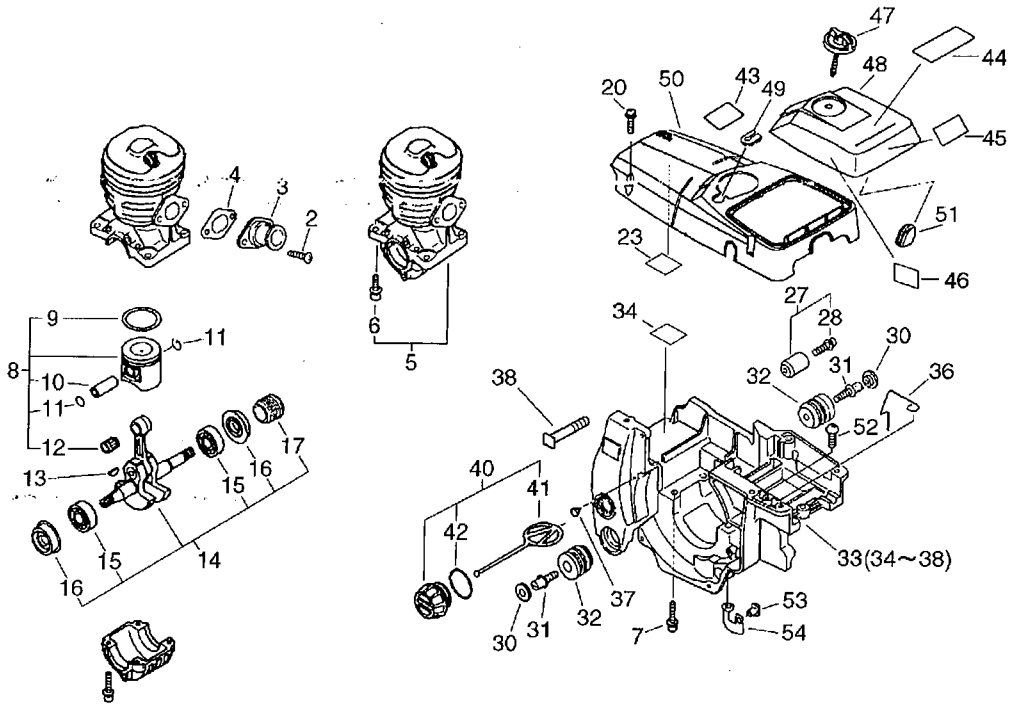
CS-4200(6digits)(21), 2008/11/28

Key	Lv	Part no.	Part description	Quantity	Note1	Note2
28	+	900253-05020	SCREW 5*20	1		
30		100918-19830	CAP, CUSHION	2		
31		100915-33930	SCREW	2		
32		100910-60030	CUSHION	2		
33		104008-60630	COVER, ENGINE BS	1	Sus. by P021-007181	
33		104008-60631	COVER, ENGINE	1	Sus. by P021-007181	
33		P021-007180	COVER, ENGINE	1	Sus. by P021-007181	
33		P021-007181	COVER, ENGINE	1		
29	+	101520-35430	COVER	1		
35		606416-60630	WIRE	1	Sr/Nr 004650 and before	
35	+	606416-60631	WIRE	1	Sr/Nr 004651 and before	
38	+	433011-19830	STUD, GUIDE BAR	2	CHINA	
39	+	436114-13930	VALVE, CHECK	1		
34		900253-04008	SCREW 4*8	1		
36		130020-60630	NUT 5	2		
37		162011-60630	PLATE, GROUND	1		
40		436001-39231	CAP ASSY, TANK	1	Sus. by 436001-39232	
40		436001-39232	CAP, OIL	1		
41	+	131051-19830	LINK	1	Sus. by A365-000050	
41	+	A365-000050	CONNECTOR,CAP	1		
42	+	900725-02025	O-RING	1	Sus. by 900721-00025	
42	+	900721-00025	O-RING 25	1		
43		890345-39230	LABEL, CAUTION	1		
44		890034-59530	LABEL, MODEL	1		
45		890631-38130	LABEL, CAUTION	1		
47		A235-000020	KNOB,CLEANER LID	1	Sr/Nr 040771 and after	
48		A232-000020	LID,CLEANER	1	Sus. by A232-000021	
48		A232-000021	LID,CLEANER	1	Sus. by A232-000022	
49		V135-000010	GROMMET,HT CORD	1	Sr/Nr 040771 and after	
50		A160-000014	COVER,CYLINDER	1	Sr/Nr 040771 and after	
50		A16-0000015	"COVER,CYLINDER"	1	CHINA	

51	130338-32430	PLUG, COVER	1	Sr/Nr 040771 and after	
60	X503-005640	LABEL,MODEL	1	CHINA	
61	X505-001340	LABEL,CAUTION	1	CHINA	
62	X505-001350	LABEL,CAUTION	1	CHINA	



CS-4200(6digits)(21), -1--1, Cylinder, Crankcase, Piston(Sr/Nr 21001368 to 21001457)  
CS-4200(6digits)(21), 2008/11/28



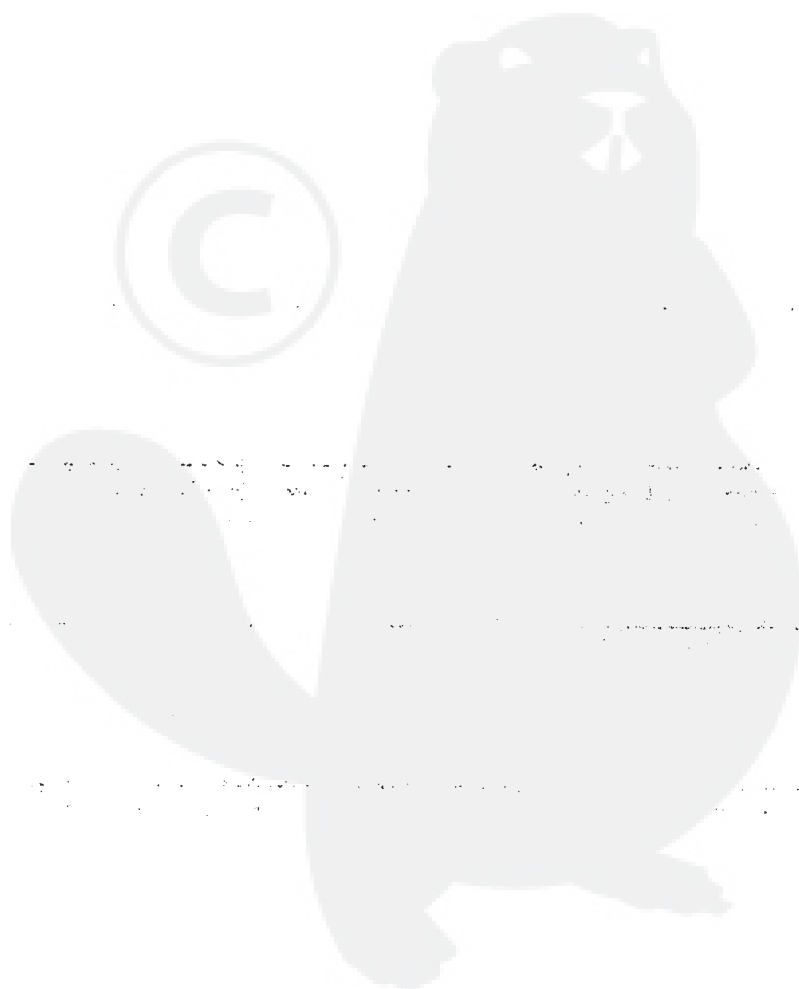
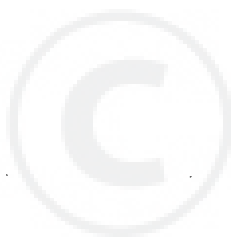
CS-4200(6digits)(21), -1--1, Cylinder, Crankcase, Piston(Sr/Nr 21001368 to 21001457)  
 CS-4200(6digits)(21), 2008/11/28

Key	Lv	Part no.	Part description	Quantity	Note1	Note2
2		900238-05012	SCREW 5*12	2		
3		130510-39932	ADAPTER, INTAKE	1		
4		130016-39930	GASKET, INTAKE	1		
5		P021-004131	CRANKCASE SET	1		
6	+	900162-05022	BOLT, H.S. 5*22	4		
7		900162-05030	BOLT, H.S. 5*30	4		
8		100000-59531	PISTON KIT	1		
9	+	100011-37330	RING, PISTON	1		
10	+	100013-35430	PIN, PISTON	1		
11	+	100015-03931	CIRCLIP, PISTON PIN	2		
12	+	100012-35430	BEARING, NEEDLE	1		
13		100142-39130	KEY, WOODRUFF	1		
14		P021-007240	CRANKSHAFT ASY	1		
15	+	900888-36201	BEARING, BALL 6201	2		
16	+	V505-000010	SEAL,OIL 12	2		
17	+	437063-38330	GEAR, WORM	1		
20		163890-38330	BOLT, 5	3		
23		101520-35430	COVER	1		
27		433000-60930	CATCHER KIT, CHAIN	1		
28	+	900253-05020	SCREW 5*20	1		
30		100918-19830	CAP, CUSHION	2		
31		100915-33930	SCREW	2		
32		100910-60030	CUSHION	2		
33		P021-007181	COVER, ENGINE	1	Sus. by P021-014300	
34	+	101520-35430	COVER	1		
36	+	606416-60631	WIRE	1	Can be used on P021-014300 only	
37	+	436114-13930	VALVE, CHECK	1		
38	+	433011-19830	STUD, GUIDE BAR	2		
40		436001-39232	CAP, OIL	1		
41	+	A365-000050	CONNECTOR,CAP	1		
42	+	900721-00025	O-RING 25	1		
43		890345-39230	LABEL,CAUTION	1		
44		X503-005640	LABEL,MODEL	1		
45		X505-001340	LABEL,CAUTION	1		
46		X505-001350	LABEL,CAUTION	1		
47		A235-000020	KNOB,CLEANER LID	1		

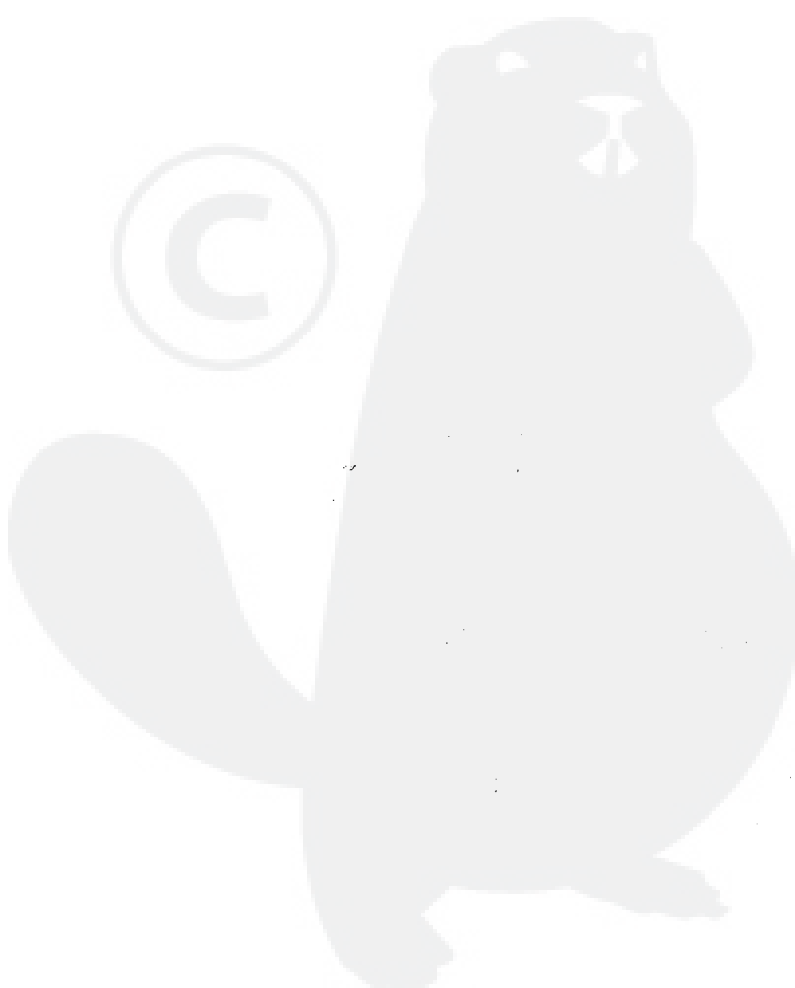
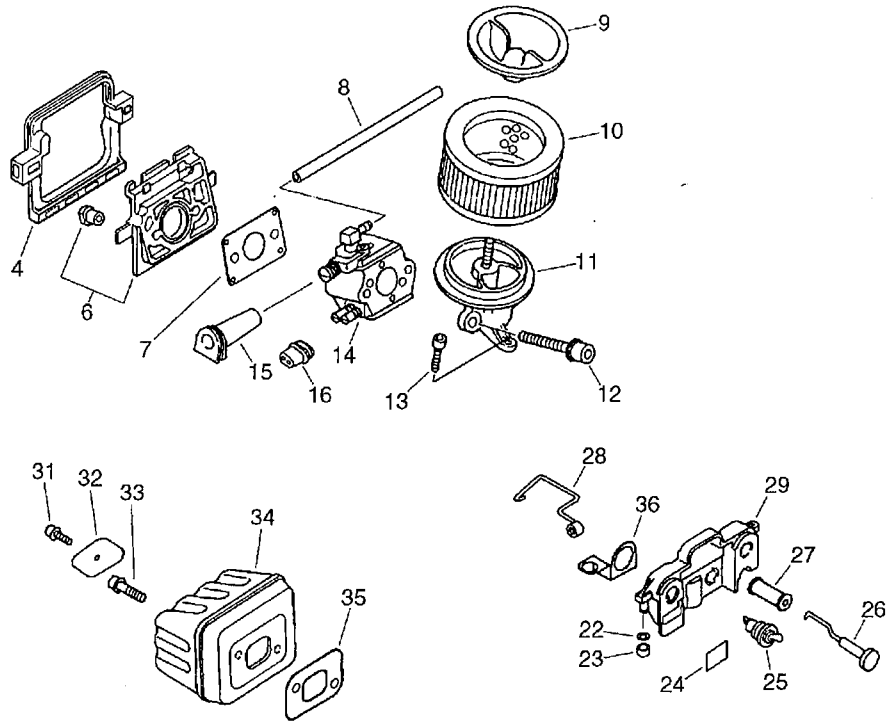
CS-4200(6digits)(21), -1--1, Cylinder, Crankcase, Piston(Sr/Nr 21001368 to 21001457)  
 CS-4200(6digits)(21), 2008/11/28

Key	Lv	Part no.	Part description	Quantity	Note1	Note2
48		A232-000021	LID,CLEANER	1	Sus. by A232-000022	
48		A232-000022	LID,CLEANER	1	Sus. by A232-000023	
48		A232-000023	LID,CLEANER	1		

49	V135-000010	GROMMET,HT CORD	1	
50	A160-000015	COVER,CYLINDER	1	
51	130338-32430	PLUG, COVER	1	
52	900253-04008	SCREW 4*8	1	
53	130020-60630	NUT 5	2	
54	162011-60630	PLATE, GROUND	1	



CS-4200(6digits)(21), -1--1, Air Cleaner, Muffler(Sr/Nr 21001367 and before)  
CS-4200(6digits)(21), 2008/11/28

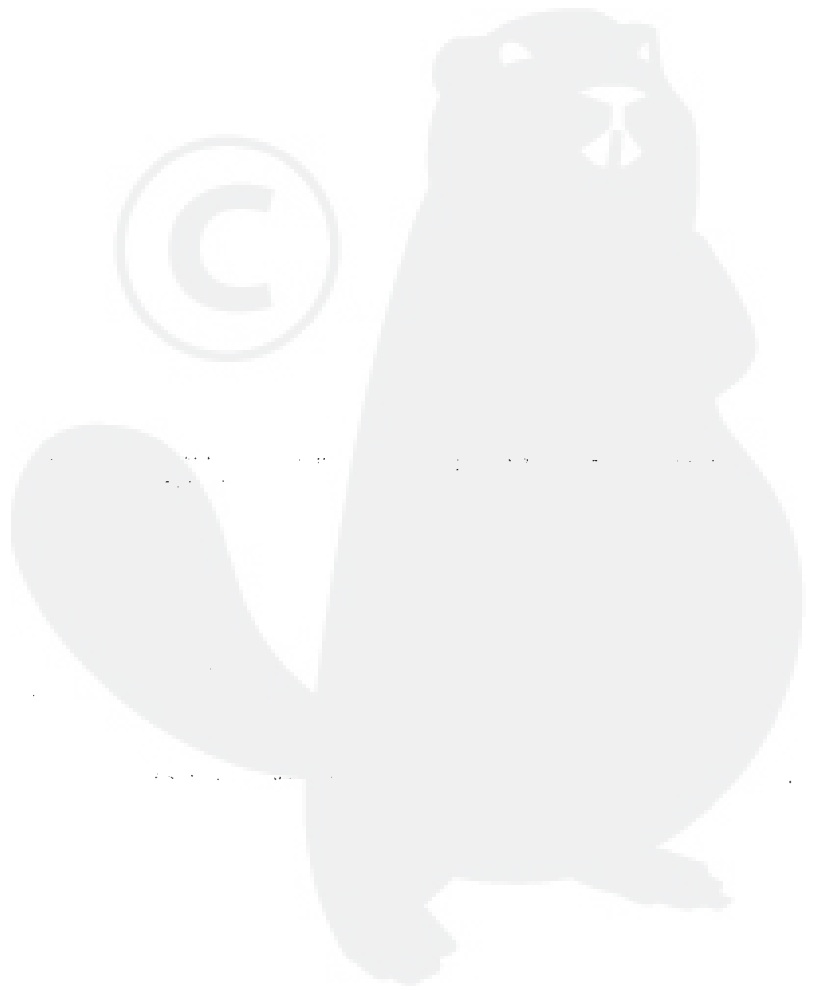
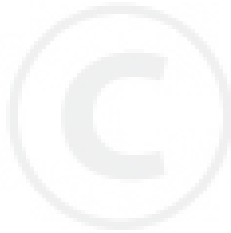




CS-4200(6digits)(21), -1--1, Air Cleaner, Muffler(Sr/Nr 21001367 and before)  
 CS-4200(6digits)(21), 2008/11/28

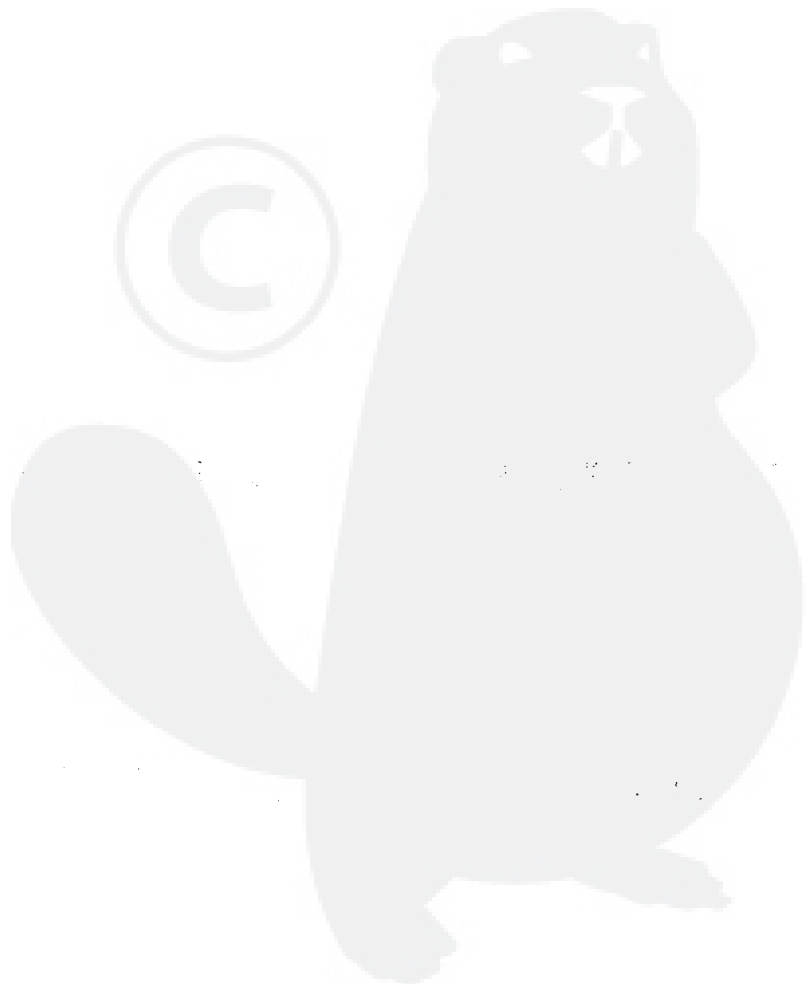
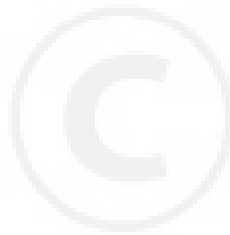
Key	Lv	Part no.	Part description	Quantity	Note1	Note2
4		130366-39930	CUSHION	1		
6		130007-39930	INSULATOR	1	Sus. by 130007-39931	
6		130007-39931	INSULATOR	1		
7		130010-38330	GASKET, INTAKE	1		
8		130110-54430	PIPE, IMPULSE	1		
9		130405-38331	BRACKET, AIR CLEANER	1	Sus. by 130405-38332	
9		130405-38332	BRACKET, AIR CLEANER	1		
10		130300-39730	CLEANER ASM., AIR	1		
11		130301-39930	CASE, AIR CLEANER	1	Sus. by 130301-39934	
11		130301-39931	ADAPTER, INTAKE	1	Sus. by 130301-39934	
11		130301-39932	ADAPTER, INTAKE	1	Sus. by 130301-39934	
11		130301-39933	ADAPTER, INTAKE	1	Sus. by 130301-39934	
11		130301-39934	ADAPTER, INTAKE	1	CHINA	
11		130301-39935	ADAPTER, INTAKE	1	CHINA	
12		900162-05050	BOLT, H.S. 5*50	2		
13		900253-05016	SCREW	1		
14		123000-38332	CARBURETOR ASSY	1	Sr/Nr 040770 and before	
14		A021-000080	CARBURETOR, DIAPHRAGM	1	Sr/Nr 040771 and after	
15		129023-39930	GROMMET, IDLE	1		
16		129010-33330	GROMMET	1		
22		900600-00005	WASHER 5	2		
23		351134-39930	CUSHION	2		
24		890157-39130	LABEL, SWITCH	1		
25		163400-35430	SWITCH, IGNITION	1		
26		178510-38330	ROD, CHOKE	1	Sus. by A241-000100	
26		178510-38331	ROD, CHOKE	1	Sus. by A241-000100	
26		A241-000100	KNOB, CHOKE	1		
27		178810-14531	GROMMET, CHOKE	1	Sus. by 178810-14534	
27		178810-14532	GROMMET	1	Sus. by 178810-14534	
27		178810-14533	GROMMET	1	Sus. by 178810-14534	
27		178810-14534	GROMMET	1		
28		178011-39930	ROD, THROTTLE	1	Sr/Nr 040770 and before	
28		C454-000011	ROD, THROTTLE	1	Sus. by C454-000012	
28		C454-000012	ROD, THROTTLE	1	Sr/Nr 040771 and after	

29	163810-59530	BRACKET, SWITCH	1	Sus. by 163810-59535
29	163810-59531	BRACKET, SWITCH	1	Sus. by 163810-59535

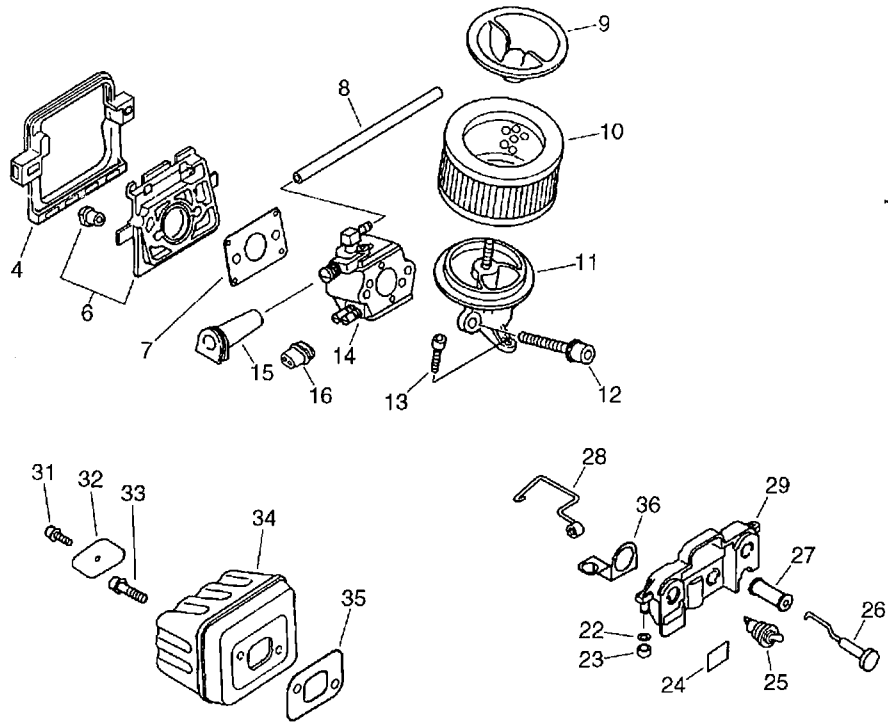


CS-4200(6digits)(21), -1--1, Air Cleaner, Muffler(Sr/Nr 21001367 and before)  
CS-4200(6digits)(21), 2008/11/28

Key	Lv	Part no.	Part description	Quantity	Note1	Note2
29		163810-59532	BRACKET, SWITCH	1	Sus. by 163810-59535	
29		163810-59533	BRACKET, SWITCH	1	Sus. by 163810-59535	
29		163810-59534	BRACKET, SWITCH	1	Sus. by 163810-59535	
29		163810-59535	BRACKET, SWITCH	1		
31		900105-04006	BOLT, H.S. 4*6	1		
32		145711-60630	STAY, MUFFLER	1	Sus. by 145711-60631	
32		145711-60631	STAY, MUFFLER	1		
33		900105-05014	BOLT, H.S. 5*14	2		
34		145610-39930	MUFFLER	1		
35		145510-35431	GASKET, MUFFLER	1		
36		163413-59530	PLATE, CONTACT	1		



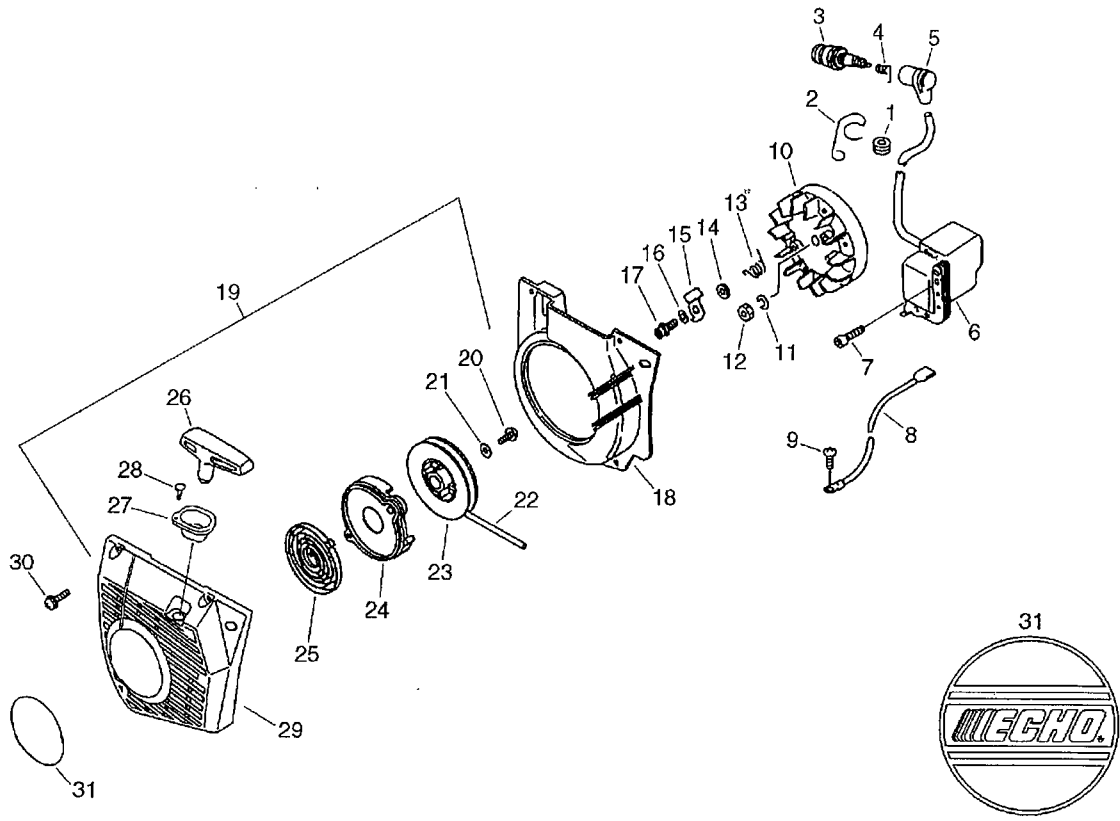
CS-4200(6digits)(21), -1--1, Air Cleaner, Muffler(Sr/Nr 21001368 to 21001457)  
CS-4200(6digits)(21), 2008/11/28



CS-4200(6digits)(21), -1--1, Air Cleaner, Muffler(Sr/Nr 21001368 to 21001457)  
 CS-4200(6digits)(21), 2008/11/28

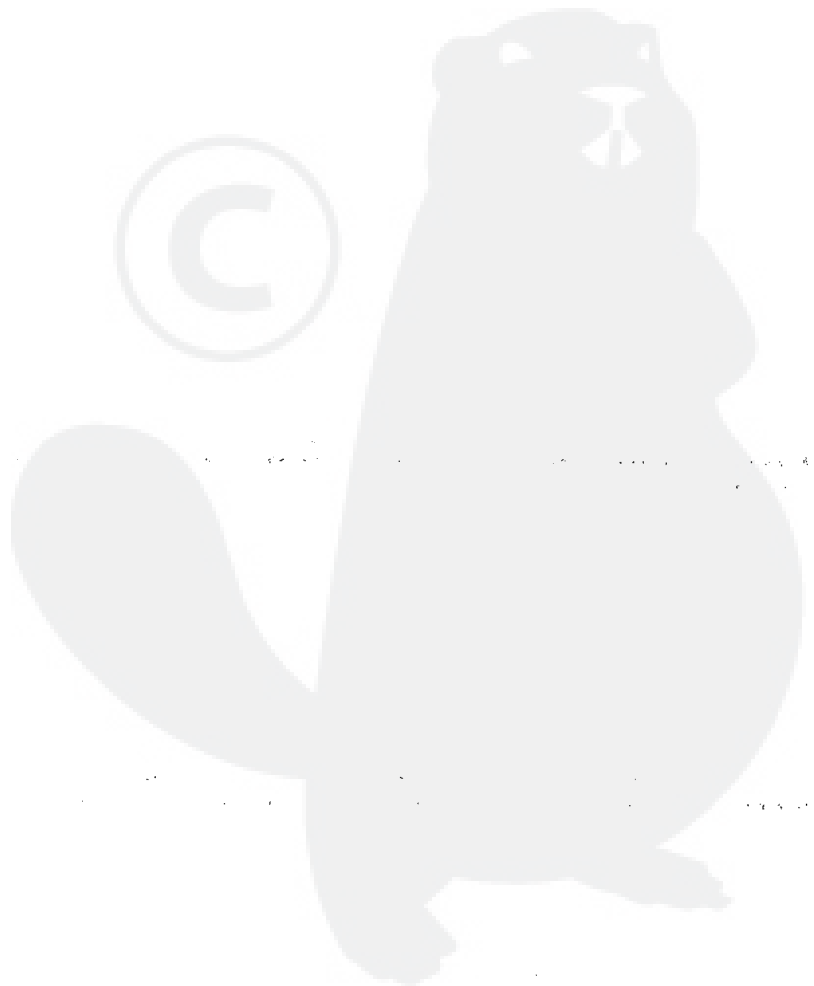
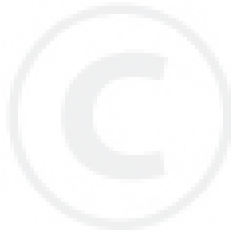
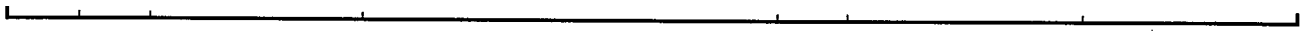
Key	Lv	Part no.	Part description	Quantity	Note1	Note2
4		130366-39930	CUSHION	1		
6		130007-39931	INSULATOR	1	Sus. by 130007-39932	
6		130007-39932	INSULATOR	1		
7		130010-38330	GASKET, INTAKE	1		
8		130110-54430	PIPE, IMPULSE	1		
9		130405-38332	BRACKET, AIR CLEANER	1		
10		130300-39730	CLEANER ASM., AIR	1		
11		130301-39935	ADAPTER, INTAKE	1		
12		900162-05050	BOLT, H.S. 5*50	2		
13		900253-05016	SCREW	1		
14		A021-000080	CARBURETOR, DIAPHRAGM	1		
15		129023-39930	GROMMET, IDLE	1		
16		129010-33330	GROMMET	1		
22		900600-00005	WASHER 5	2		
23		351134-39930	CUSHION	2		
24		890157-39130	LABEL, SWITCH	1		
25		163400-35430	SWITCH, IGNITION	1		
26		A241-000100	KNOB, CHOKE	1		
27		178810-14534	GROMMET	1		
28		C454-000012	ROD, THROTTLE	1		
29		163810-59535	BRACKET, SWITCH	1		
31		900105-04006	BOLT, H.S. 4*6	1		
32		145711-60631	STAY, MUFFLER	1		
33		900105-05014	BOLT, H.S. 5*14	2		
34		145610-39930	MUFFLER	1		
35		145510-35431	GASKET, MUFFLER	1		
36		163413-59530	PLATE, CONTACT	1		

CS-4200(6digits)(21), -1--1, Starter, Magneto(Sr/Nr 21001367 and before)  
CS-4200(6digits)(21), 2008/11/28



CS-4200(6digits)(21), -1--1, Starter, Magneto(Sr/Nr 21001367 and before)  
 CS-4200(6digits)(21), 2008/11/28

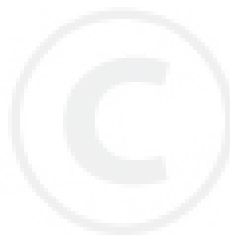
Key	Lv	Part no.	Part description	Quantity	Note1	Note2
1		151112-04630	BUSHING	1		
2		159118-39930	GUIDE, CORD	1		
3		159017-31730	PLUG, SPARK RCJ-6Y	1		
4		159011-03432	COIL, SPARK PLUG	1	Sr/Nr 040770 and before	
4		A426-000010	TERMINAL, SPARKPLUG	1	Sr/Nr 040771 and after	
5		159012-01620	CAP, SPARK PLUG	1	Sr/Nr 040770 and before	
5		A427-000010	CAP, SPARK PLUG	1	Sus. by A427-000012	
5		A427-000011	CAP, SPARK PLUG	1	Sus. by A427-000012	
5		A427-000012	CAP, SPARK PLUG	1	Sr/Nr 040771 and after	
6		156626-60630	COIL, IGNITION	1		
7		900162-05022	BOLT, H.S. 5*22	2		
8		156630-39930	LEAD, GROUND	1		
9		900216-04006	SCREW	1		
10		156801-60630	FLYWHEEL	1		
11		900605-00008	WASHER, SPRING 8	1		
12		900500-00008	NUT 8	1		
13		177234-35430	SPRING, RETURN	2		
14		177247-04630	SPACER, RATCHET	2		
15		177218-35430	PAWL, STARTER	2		
16		900603-00005	WASHER 5	2		
17		900105-05014	BOLT, H.S. 5*14	2	Sus. by V203-000090	
17		V203-000090	BOLT,5	2		
18		101535-39931	COVER, FAN	1	Sus. by 10153-539933	
18		101535-39932	COVER, FAN	1	Sus. by 10153-539933	
18		10153-539933	"COVER, FAN"	1		
18		10153-539933	"COVER, FAN"	1	CHINA	
19		177200-39932	RECOIL STARTER ASY	1	Sus. by 177200-60635	
19		177200-39933	STARTER ASY	1	Sus. by 177200-60635	
19		177200-39934	STARTER ASY	1	Sus. by 177200-60635	
19		177200-60634	STARTER ASY	1	Sus. by 177200-60635	
19		177200-60635	STARTER ASY	1		
20	+	900238-05012	SCREW 5*12	1		
21	+	177214-02830	WASHER	1		
22	+	177226-11130	ROPE, STARTER	1		
23	+	177215-35430	DRUM, STARTER	1		
24	+	177221-35430	PLATE, STARTER	1		



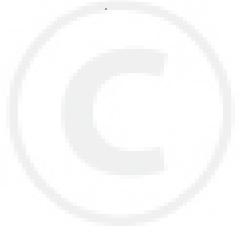
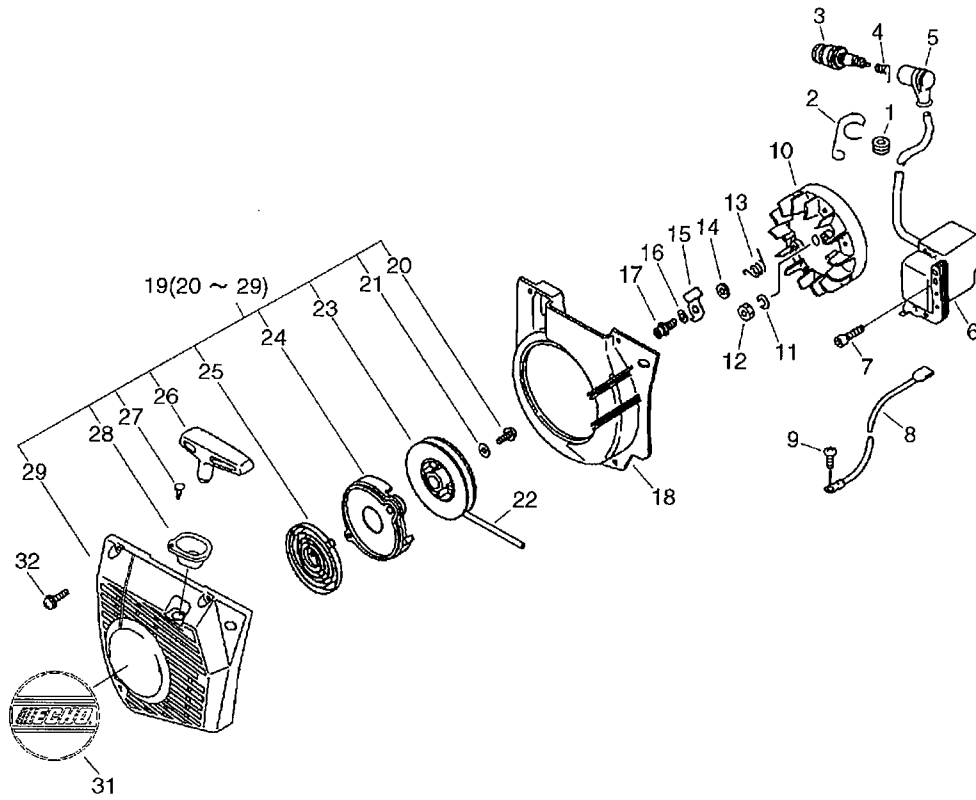


CS-4200(6digits)(21), -1--1, Starter, Magneto(Sr/Nr 21001367 and before)  
CS-4200(6digits)(21), 2008/11/28

Key	Lv	Part no.	Part description	Quantity	Note1	Note2
25	+	177220-35430	SPRING, REWIND	1		
26	+	177228-35430	GRIP, STARTER (BL)	1		
27	+	177227-39131	GUIDE, ROPE BL	1		
28	+	900296-03014	SCREW 3*14	1		
29	+	177209-60635	CASE, STARTER	1		
30		900223-04016	SCREW	4		
31		890118-49330	LABEL, ECHO	4	Sr/Nr 038511 and after	



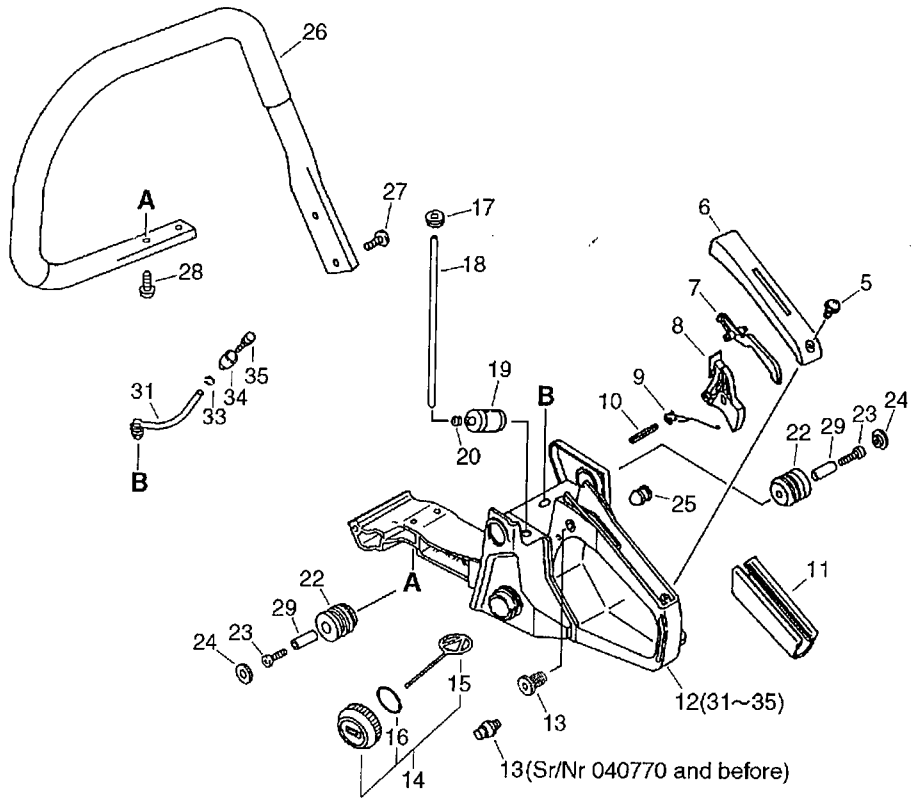
CS-4200(6digits)(21), -1--1, Starter, Magneto(Sr/Nr 21001368 to 21001457)  
CS-4200(6digits)(21), 2008/11/28



CS-4200(6digits)(21), -1--1, Starter, Magneto(Sr/Nr 21001368 to 21001457)  
 CS-4200(6digits)(21), 2008/11/28

Key	Lv	Part no.	Part description	Quantity	Note1	Note2
1		151112-04630	BUSHING	1		
2		159118-39930	GUIDE, CORD	1		
3		159017-31730	PLUG, SPARK RCJ-6Y	1		
4		A426-000010	TERMINAL, SPARKPLUG	1		
5		A427-000012	CAP, SPARK PLUG	1		
6		156626-60630	COIL, IGNITION	1		
7		900162-05022	BOLT, H.S. 5*22	2		
8		156630-39930	LEAD, GROUND	1		
9		900216-04006	SCREW	1		
10		156801-60630	FLYWHEEL	1		
11		900605-00008	WASHER, SPRING 8	1		
12		900500-00008	NUT 8	1		
13		177234-35430	SPRING, RETURN	2		
14		177247-04630	SPACER, RATCHET	2		
15		177218-35430	PAWL, STARTER	2		
16		900603-00005	WASHER 5	2		
17		V203-000090	BOLT,5	2		
18		101535-39933	COVER, FAN	1		
19		177200-60635	STARTER ASY	1		
20	+	900238-05012	SCREW 5*12	1		
21	+	177214-02830	WASHER	1		
22	+	177226-11130	ROPE, STARTER	1		
23	+	177215-35430	DRUM, STARTER	1		
24	+	177221-35430	PLATE, STARTER	1		
25	+	177220-35430	SPRING, REWIND	1		
26	+	177228-35430	GRIP, STARTER (BL)	1		
27	+	900296-03014	SCREW 3*14	1		
28	+	177227-39131	GUIDE, ROPE BL	1		
29	+	177209-60635	CASE, STARTER	1		
31		890118-49330	LABEL, ECHO	1	Sus. by X502-000 410	
31		X502-000410	LABEL, ECHO	1		
32		900223-04016	SCREW	4		

CS-4200(6digits)(21), -1--1, Handle(Sr/Nr 21001367 and before)  
CS-4200(6digits)(21), 2008/11/28



CS-4200(6digits)(21), -1--1, Handle(Sr/Nr 21001367 and before)  
 CS-4200(6digits)(21), 2008/11/28

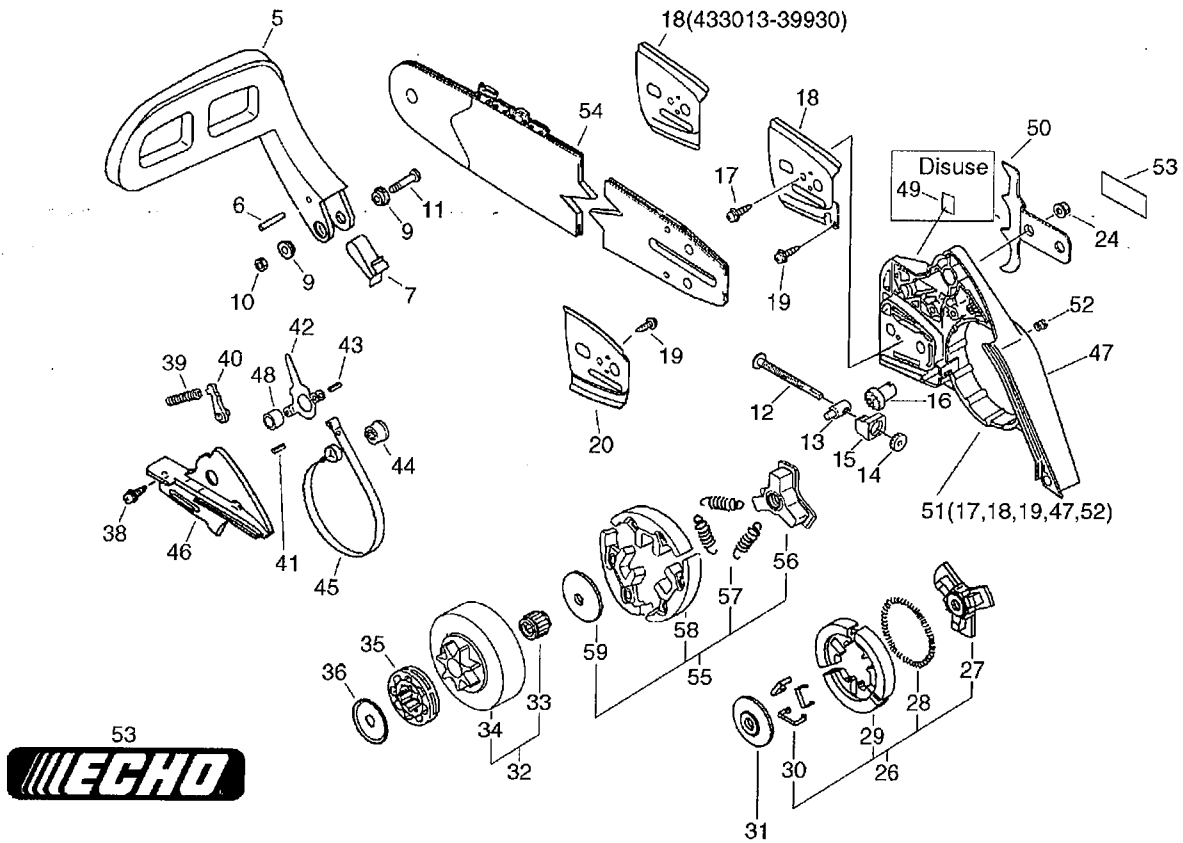
Key	Lv	Part no.	Part description	Quantity	Note1	Note2
5		900253-04014	SCREW 4*14	1		
6		351155-35430	COVER, HANDLE (BL)	1		
7		178090-37930	LOCKOUT, T. CONTROL	1		
8		178010-38331	TRIGGER, THROTTLE	1	Sus. by C450-000 000	
8		C450-000000	TRIGGER, THROTTLE	1		
9		178043-35430	SPRING, THR.RETURN	1		
10		900345-40030	PIN, SPRING 4*30SUS	1		
11		351111-19830	GRIP, HANDLE	1		
12		351103-39933	HANDLE, REAR	1	Sus. by 351103-39 934	
12		351103-39934	HANDLE, REAR	1	Sus. by P021-013 410	
31	+	132012-39930	PIPE, W/GROMMET	1	Sus. by 132012-39 931	
33	+	132013-26630	CLIP	1		
34	+	131328-40630	COVER, VENT	1		
35	+	131300-56430	VALVE, CHECK	1		
13		178302-37930	LATCH, THROTTLE	1	Sr/Nr 040770 and before	
13		V162-000040	PLUG	1	Sr/Nr 040771 and after	
14		131004-37931	CAP ASSY, FUEL TANK	1	Sus. by 131004-37 932	
14		131004-37932	CAP ASY, FUEL	1		
15	+	131051-19830	LINK	1	Sus. by A365-000 050	
15	+	A365-000050	CONNECTOR, CAP	1		
16	+	900720-00022	O-RING 22	1		
17		132115-04920	GROMMET	1		
18		132010-00760	PIPE, FUEL	1		
19		131205-19830	STRAINER, FUEL	1		
20		132013-09820	CLIP	1		
22		100910-19730	CUSHION	2		
23		900105-04020	BOLT, H.S. 4*20	2		
24		100918-19830	CAP, CUSHION	2		
25		100252-39930	CUSHION	2		
26		351606-39930	HANDLE, FRONT	1	Sus. by 351606-39 931	
26		351606-39931	HANDLE, FRONT	1		
27		900268-05020	SCREW 5*20	2	Sus. by 91145-050 20	
27		91145-05020	BOLT HS TAPPING	2		
28		900253-05016	SCREW	2	Sus. by 91145-050 16	
28		91145-05016	BOLT HS TAPPING	2		
29		100915-15131	SUPPORTER, CUSHION	2		



CS-4200(6digits)(21), -1--1, Handle(Sr/Nr 21001368 to 21001457)  
 CS-4200(6digits)(21), 2008/11/28

Key	Lv	Part no.	Part description	Quantity	Note1	Note2
5		900253-04014	SCREW 4*14	1		
6		351155-35430	COVER, HANDLE (BL)	1		
7		178090-37930	LOCKOUT, T. CONTROL	1		
8		C450-000000	TRIGGER, THROTTLE	1		
9		178043-35430	SPRING, THR.RETURN	1		
10		900345-40030	PIN, SPRING 4*30SUS	1		
11		351111-19830	GRIP, HANDLE	1		
13		V162-000040	PLUG	1		
14		131004-37932	CAP ASY, FUEL	1		
15	+	A365-000050	CONNECTOR, CAP	1		
16	+	900720-00022	O-RING 22	1		
17		132115-04920	GROMMET	1		
18		132010-00760	PIPE, FUEL	1		
19		131205-19830	STRAINER, FUEL	1		
20		132013-09820	CLIP	1		
22		100910-19730	CUSHION	2		
23		900105-04020	BOLT, H.S. 4*20	2		
24		100918-19830	CAP, CUSHION	2		
25		100252-39930	CUSHION	2		
26		351606-39931	HANDLE, FRONT	1		
27		91145-05020	BOLT HS TAPPING	2		
28		91145-05016	BOLT HS TAPPING	2		
29		100915-15131	SUPPORTER, CUSHION	2		
30		351103-39934	HANDLE, REAR	1	Sus. by P021-013 410	
30		P021-013410	HANDLE, REAR	1		
31	+	132012-39930	PIPE, W/GROMMET	1	Sus. by 132012-39 931	
31	+	132012-39931	PIPE	1		
33	+	132013-26630	CLIP	1		
34	+	131328-40630	COVER, VENT	1		
35	+	131300-56430	VALVE, CHECK	1		

CS-4200(6digits)(21), -1--1, Clutch, Sprocket(Sr/Nr 21001367 and before)  
CS-4200(6digits)(21), 2008/11/28





CS-4200(6digits)(21), -1--1, Clutch, Sprocket(Sr/Nr 21001367 and before)  
 CS-4200(6digits)(21), 2008/11/28

Key	Lv	Part no.	Part description	Quantity	Note1	Note2
5		433105-60030	LEVER, BRAKE	1		
6	+	900330-30240	PIN 3*24	1		
7	+	433114-38330	SPRING	1	Sus. by 433114-38331	
7	+	433114-38331	SPRING	1		
9		433167-39130	SPACER	2		
10		900560-00005	NUT, LOCK 5	1		
11		900209-05030	SCREW, 5*30	1	Sus. by 91318-05032	
11		91318-05032	SCREW	1		
12		V203-000040	BOLT,5	1	Sus. by V203-000041	
12		V203-000041	BOLT,5	1	Sr/Nr 013861 and after	
13		433014-60930	TENSIONER, CHAIN	1	Sus. by C309-000030	
13		C309-000030	TENSIONER,CHAIN	1	Sr/Nr 013861 and after	
14		V651-000010	GEAR,BEVEL	1	Sus. by V651-000011	
14		V651-000011	GEAR,BEVEL	1	Sr/Nr 013861 and after	
15		V355-000030	COLLAR,8	1	Sus. by V355-000270	
15		V355-000270	COLLAR,8	1	Sr/Nr 013861 and after	
16		V651-000000	GEAR,BEVEL	1	Sus. by V651-000001	
16		V651-000001	GEAR,BEVEL	1	Sr/Nr 013861 and after	
17		900220-04006	SCREW 4*6	1	Sr/Nr 018980 and before	
18		433013-39930	PLATE, GUIDE	1	Sr/Nr 013860 and before	
19		900253-04008	SCREW 4*8	1		
20		433012-39930	PLATE, GUIDE	1		
24		433019-12330	NUT, FLANGE 8	2		
26		175000-59530	CLUTCH ASY	1	Sus. by 175000-59531	
26		175000-59531	CLUTCH ASY	1	Sr/Nr 045650 and before	
27	+	175016-59530	HUB, CLUTCH	1	Sr/Nr 045650 and before	
28	+	175018-59530	SPRING, CLUTCH	1	Sr/Nr 045650 and before	
29	+	175017-59530	SHOE, CLUTCH	3	Sus. by 175002-59531	
29	+	175002-59530	SHOE, CLUTCH	1	Sus. by 175002-59531	
29	+	175002-59531	SHOE, CLUTCH	1	Sr/Nr 045650 and before	

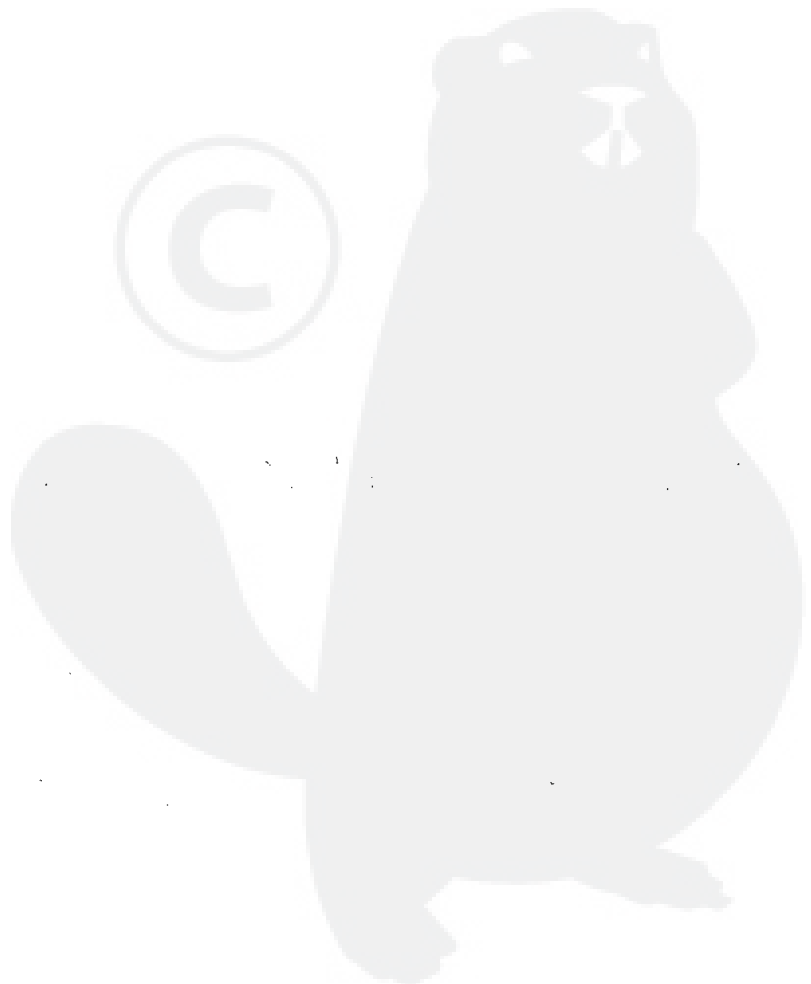
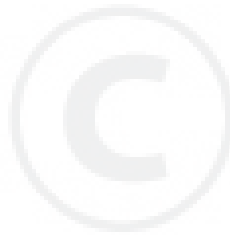
30	+	175022-59530	SPRING,FLAT	3	Sr/Nr 045650 and before	
31		175019-59530	PLATE, CLUTCH	1	Sr/Nr 045650 and before	
32		P021-006060	DRUM,CLUTCH SET	1		
33		175012-14630	BEARING, NEEDLE	1	Sr/Nr 039640 and before	
33	+	175012-00831	BEARING, NEEDLE	1	Sr/Nr 039641 and after	
34		175105-35430	DRUM, CLUTCH	1	Sus. by P021-006060	

CS-4200(6digits)(21), -1--1, Clutch, Sprocket(Sr/Nr 21001367 and before)

CS-4200(6digits)(21), 2008/11/28

Key	Lv	Part no.	Part description	Quantity	Note1	Note2
34		A556-000170	DRUM,CLUTCH	1	Sus. by P021-006060	
34	+	A556-000171	DRUM,CLUTCH	1	Sr/Nr 039641 and after	
35		175114-12530	SPROCKET, RIM .325	1	Sr/Nr 025250 and before	
36		175019-38330	PLATE, CLUTCH	1		
38		900253-04010	SCREW 4*10	2		
39		433122-35430	SPRING, BRAKE	1		
40		433209-35430	STOPPER, BRAKE	1		
41		900342-25012	PIN, SPRING 2.5*12	1		
42		433208-35431	LEVER, BRAKE	1		
43		900330-40088	ROLLER 4*8.8	1		
44		433142-35430	ADJUSTER, BRAKE	1		
45		433123-35430	BAND, BRAKE	1	Sus. by C328-000060	
45		C328-000060	BAND,BRAKE	1		
46		433310-38330	COVER, BRAKE	1		
47		433005-39930	GUARD, SPROCKET	1		
51		P021-001040	SPROCKET GUARD KIT	1	Sus. by P021-001313	
51		P021-001041	SPROCKET GUARD KIT	1	Sus. by P021-001313	
51		P021-001300	GUARD,SPROCKET SET	1	Sus. by P021-001313	
51		P021-001301	GUARD,SPROCKET SET	1	Sus. by P021-001313	
51		P021-001302	GUARD,SPROCKET SET	1	Sus. by P021-001313	
51		P021-001312	GUARD,SPROCKET SET	1	Sus. by P021-001313	
51		P021-001313	GUARD,SPROCKET SET	1	CHINA	
17	+	900220-03006	SCREW 3*6	1	Sr/Nr 018981 and after	
18	+	C305-000010	PLATE,SPROCKET GUARD	1	Sus. by C305-000011	
18	+	C305-000011	PLATE,SPROCKET GUARD	1	Sr/Nr 013861 and after	
19	+	900253-04008	SCREW 4*8	1	Sr/Nr 013861 and	

					after
47	+	433005-39931	GUARD, SPROCKET	1	Sus. by 433005-39932
47	+	433005-39932	GUARD, SPROCKET	1	Sr/Nr 013861 to 018980
47	+	433005-39933	GUARD, SPROCKET	1	Sus. by 433005-60935
47	+	433005-39934	GUARD, SPROCKET	1	Sus. by 433005-60935
47	+	433005-39935	GUARD, SPROCKET	1	Sus. by 433005-60935
47	+	433005-60935	GUARD, SPROCKET	1	Sr/Nr 018981 and after
47	+	433005-60936	GUARD, SPROCKET	1	CHINA Sus. by 433005-60937
47	+	P021-001313	GUARD, SPROCKET SET	1	Next Production
52	+	V162-000020	PLUG	1	Can be needed for non-side-access type models
48		433115-38330	WASHER 5.2*12*14	1	

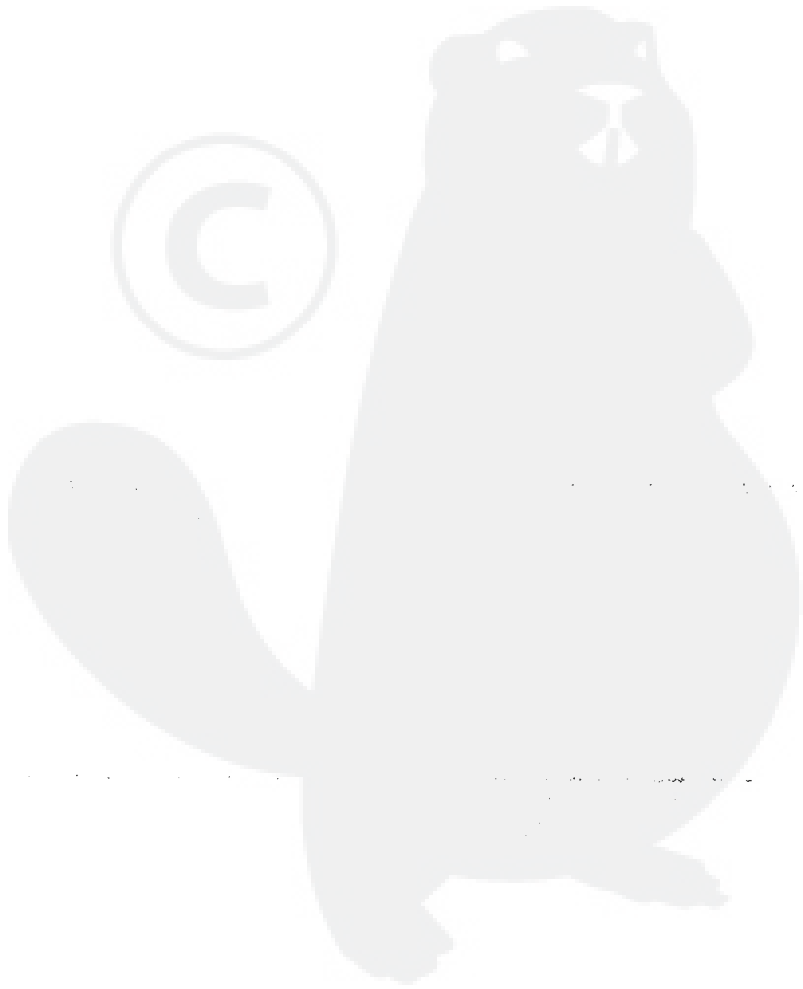
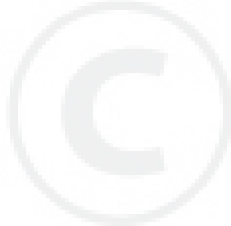
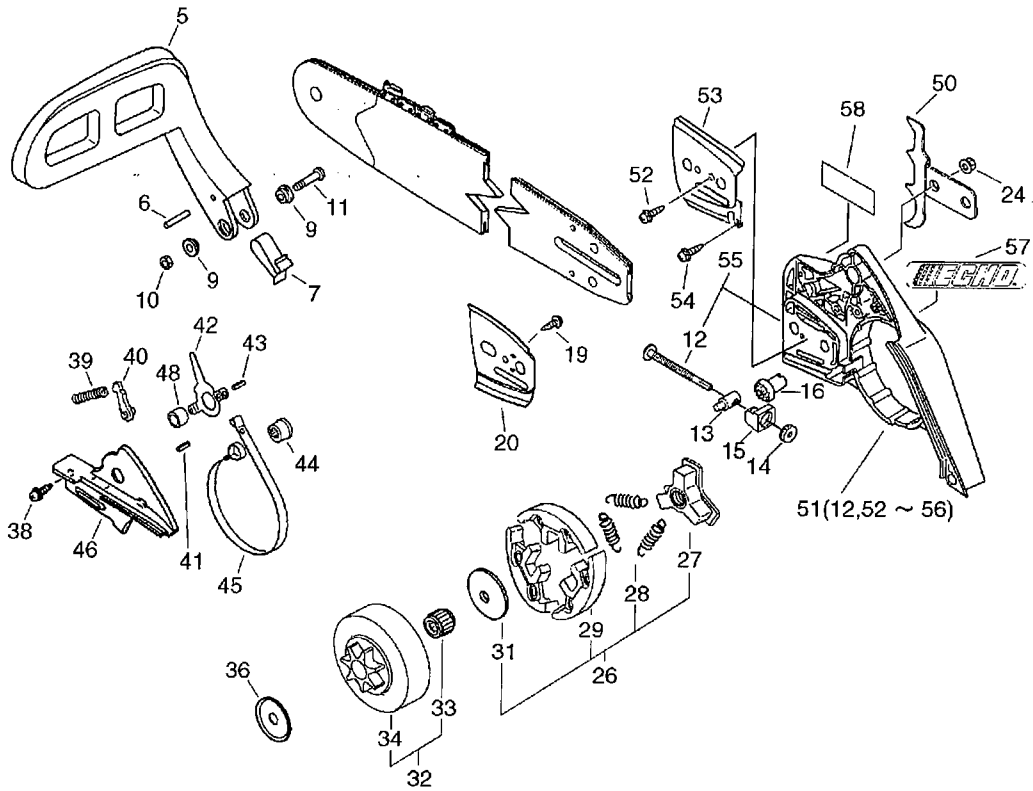


CS-4200(6digits)(21), -1--1, Clutch, Sprocket(Sr/Nr 21001367 and before)  
 CS-4200(6digits)(21), 2008/11/28

Key	Lv	Part no.	Part description	Quantity	Note1	Note2
49		890316-39130	LABEL, CAUTION	1	Disuse	
50		880210-36030	BUMPER, SPIKED	1	Sus. by C304-000020	
50		880210-36031	BUMPER, SPIKED	1	Sus. by C304-000020	
50		C304-000020	SPIKED	1	CHINA	
53		X502-000020	LABEL,ECHO	1	Sr/Nr 038511 and after	
54		430521-37331	BAR,GUIDE 38RD58-325	1	Sus. by 430521-37332	
54		430521-37332	BAR, GUIDE 38RD58325	1	OPTION	
55		P021-007060	CLUTCH ASY W/PLATE	1	Sr/Nr 045651 and after	
56	+	A552-000060	HUB,CLUTCH	1	Sr/Nr 045651 and after	
57	+	V451-000500	SPRING,TENSION	3	Sr/Nr 045651 and after	
58	+	P021-007050	CLUTCH SHOE SET	1	Sr/Nr 045651 and after	
59	+	175019-39430	PLATE, CLUTCH	1	Sr/Nr 045651 and after	



CS-4200(6digits)(21), -1--1, Clutch, Sprocket(Sr/Nr 21001368 to 21001457)  
CS-4200(6digits)(21), 2008/11/28



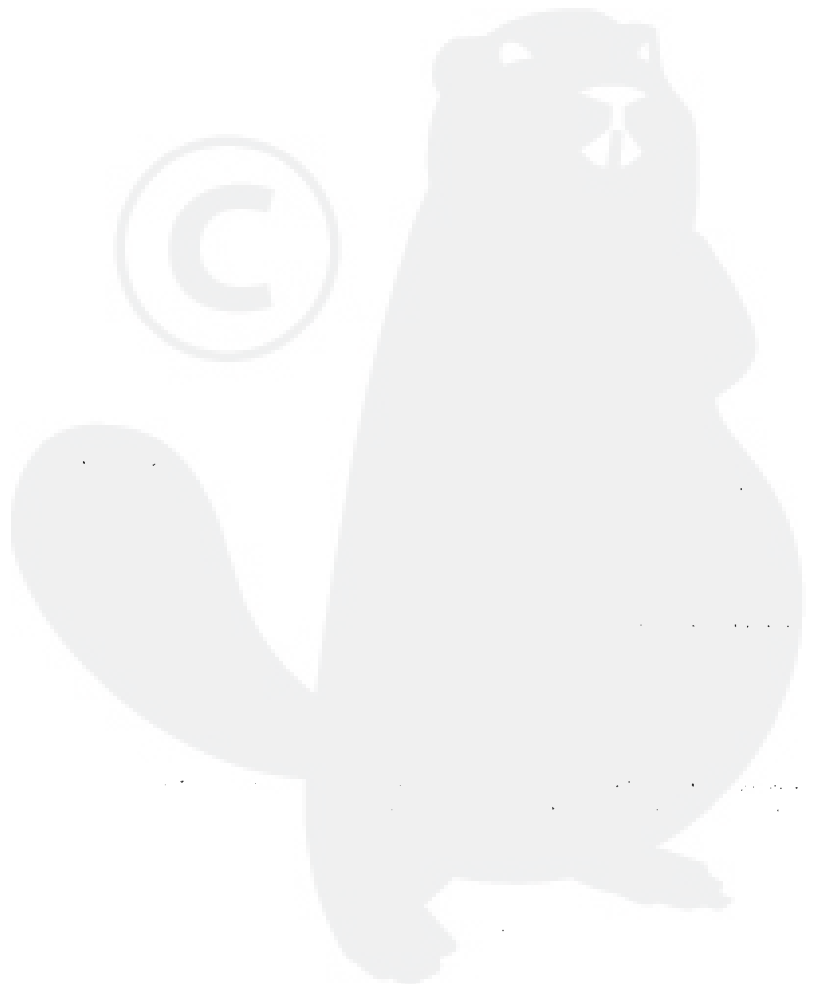
CS-4200(6digits)(21), -1--1, Clutch, Sprocket(Sr/Nr 21001368 to 21001457)  
 CS-4200(6digits)(21), 2008/11/28

Key	Lv	Part no.	Part description	Quantity	Note1	Note2
5		433105-60030	LEVER, BRAKE	1		
6	+	900330-30240	PIN 3*24	1		
7	+	433114-38331	SPRING	1		
9		433167-39130	SPACER	2		
10		900562-50005	LOCKNUT 5	1		
11		91318-05032	SCREW	1		
13		C309-000030	TENSIONER,CHAIN	1		
14		V651-000011	GEAR,BEVEL	1		
15		V355-000270	COLLAR,8	1		
16		V651-000001	GEAR,BEVEL	1		
19		900253-04008	SCREW 4*8	1		
20		433012-39930	PLATE, GUIDE	1		
24		433019-12330	NUT, FLANGE 8	2		
26		P021-007060	CLUTCH ASY W/PLATE	1		
27	+	A552-000060	HUB,CLUTCH	1		
28	+	V451-000500	SPRING,TENSION	3		
29	+	P021-007050	CLUTCH SHOE SET	1		
31	+	175019-39430	PLATE, CLUTCH	1		
32		P021-006060	DRUM,CLUTCH SET	1		
33	+	175012-00831	BEARING, NEEDLE	1		
34	+	A556-000171	DRUM,CLUTCH	1		
36		175019-38330	PLATE, CLUTCH	1		
38		900253-04010	SCREW 4*10	2		
39		433122-35430	SPRING, BRAKE	1		
40		433209-35430	STOPPER, BRAKE	1		
41		900342-25012	PIN, SPRING 2.5*12	1		
42		433208-35431	LEVER, BRAKE	1		
43		900330-40088	ROLLER 4*8.8	1		
44		433142-35430	ADJUSTER, BRAKE	1		
45		C328-000060	BAND,BRAKE	1		
46		433310-38330	COVER, BRAKE	1		
48		433115-38330	WASHER 5.2*12*14	1		
50		880210-36031	BUMPER, SPIKED	1		
51		P021-001313	GUARD,SPROCKET SET	1	Sus. by P021-001314	
51		P021-001314	GUARD,SPROCKET SET	1	Sus. by P021-001315	
51		P021-001315	GUARD,SPROCKET SET	1		

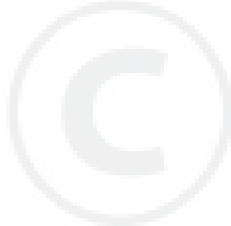
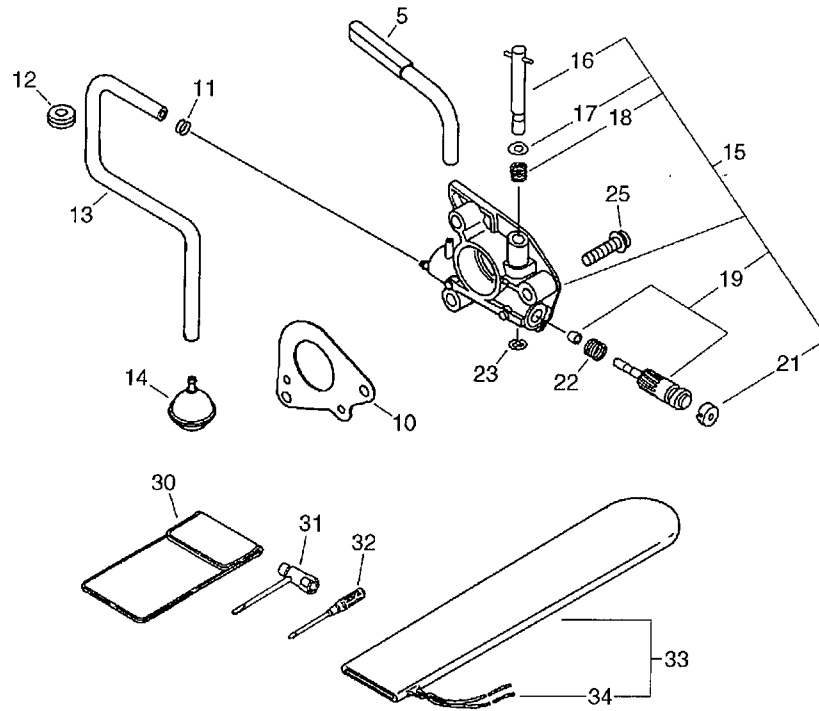
CS-4200(6digits)(21), -1--1, Clutch, Sprocket(Sr/Nr 21001368 to 21001457)  
 CS-4200(6digits)(21), 2008/11/28

Key	Lv	Part no.	Part description	Quantity	Note1	Note2
52	+	900220-03006	SCREW 3*6	1		
53	+	C305-000011	PLATE,SPROCKET GUARD	1		
54	+	900253-04008	SCREW 4*8	1	Sus. by 900253-04010	
54	+	900253-04010	SCREW 4*10	1		

55	+	P021-010170	GUARD, SPROCKET KIT	1	Sus. by P021-010171
55	+	P021-010171	GUARD, SPROCKET KIT	1	
12	++	V203-000110	BOLT,5	1	
57		X502-000020	LABEL,ECHO	1	Sus. by X502-000340
57		X502-000340	LABEL,ECHO	1	
58		X505-002340	LABEL,CAUTION	1	



CS-4200(6digits)(21), -1--1, Auto-Oiler, Tools(Sr/Nr 21001367 and before)  
CS-4200(6digits)(21), 2008/11/28



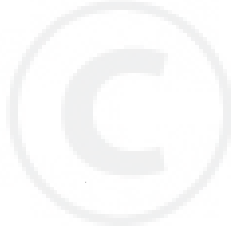
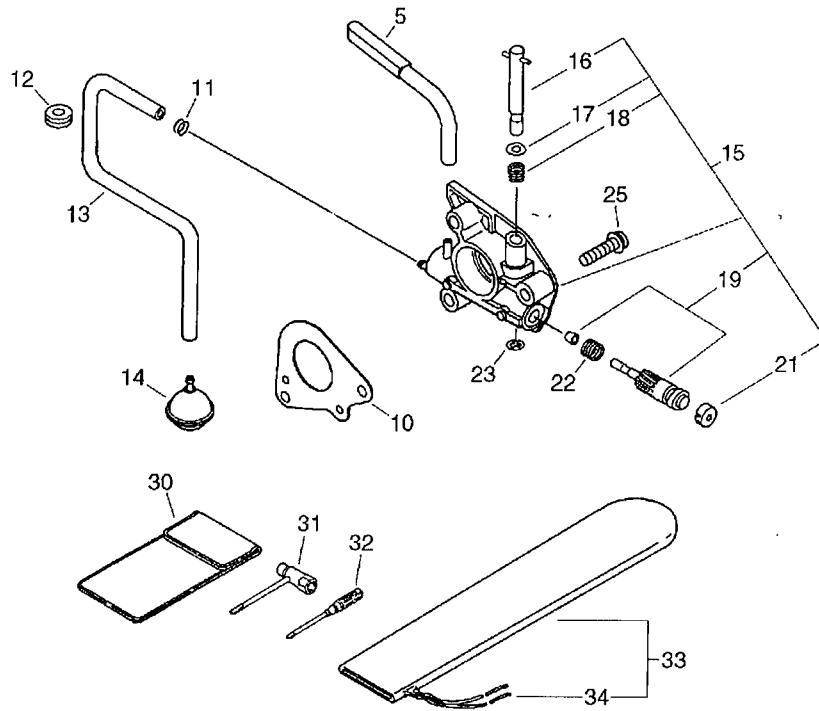


CS-4200(6digits)(21), --1--1, Auto-Oiler, Tools(Sr/Nr 21001367 and before)  
 CS-4200(6digits)(21), 2008/11/28

Key	Lv	Part no.	Part description	Quantity	Note1	Note2
5		437210-39931	PIPE	1		
10		175310-38330	PLATE, SEAL	1		
11		132013-26630	CLIP	1		
12		132115-12330	GROMMET	1		
13		437210-35430	PIPE	1		
14		436205-14730	STRAINER, OIL	1		
15		437002-38330	AUTO-OILER ASSY	1		
16	+	437016-38330	NEEDLE, ADJUST	1		
17	+	437029-37330	WASHER	1		
18	+	437015-37330	SPRING	1		
19	+	437024-37330	PLUNGER	1		
21	+	437062-38330	CAP, OIL PUMP	1		
22	+	437019-38330	SPRING	1		
23	+	123127-15030	RING	1		
25		900223-04016	SCREW	2		
30		898510-39130	BAG, TOOL	1		
31		895410-02830	WRENCH, W/S. DRIVER	1		
32		895812-03930	DRIVER, SCREW 50	1		
33		898567-14531	SCABBARD, GUIDE BAR	1	Sus. by 898513-38330	
33		898513-38330	SCABBARD, GUIDE BAR	1		
34	+	898568-14530	ROPE	1		



CS-4200(6digits)(21), -1--1, Auto-Oiler, Tools(Sr/Nr 21001368 to 21001457)  
CS-4200(6digits)(21), 2008/11/28

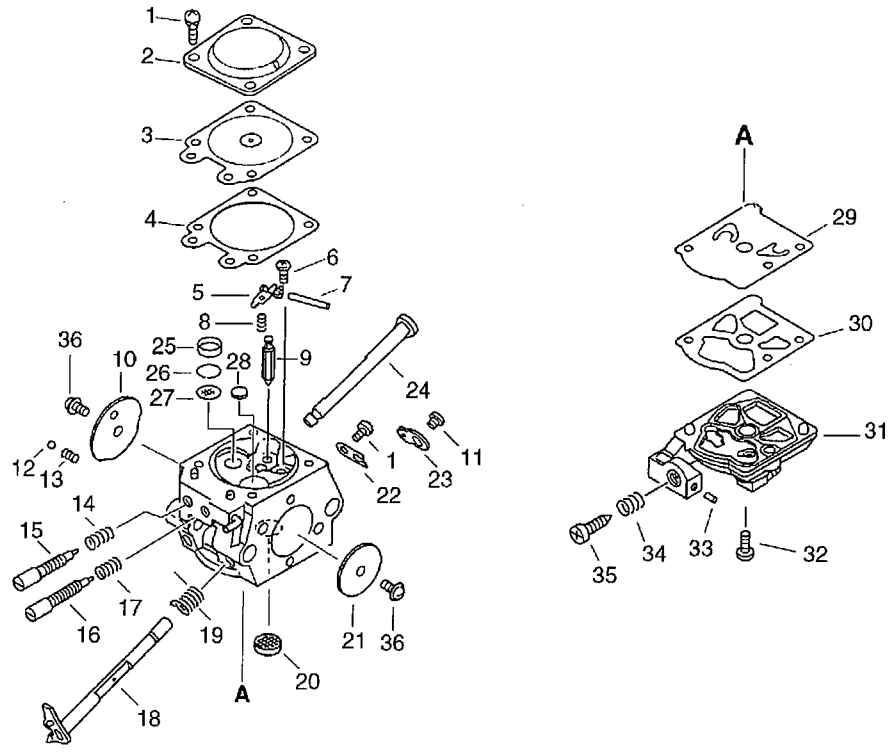


CS-4200(6digits)(21), -1--1, Auto-Oiler, Tools(Sr/Nr 21001368 to 21001457)  
 CS-4200(6digits)(21), 2008/11/28

Key	Lv	Part no.	Part description	Quantity	Note1	Note2
5		437210-39931	PIPE	1		
10		175310-38330	PLATE, SEAL	1		
11		132013-26630	CLIP	1		
12		132115-12330	GROMMET	1		
13		437210-35430	PIPE	1		
14		436205-14730	STRAINER, OIL	1		
15		437002-38330	AUTO-OILER ASSY	1		
16	+	437016-38330	NEEDLE, ADJUST	1		
17	+	437029-37330	WASHER	1		
18	+	437015-37330	SPRING	1		
19	+	437024-37330	PLUNGER	1		
21	+	437062-38330	CAP, OIL PUMP	1		
22	+	437019-38330	SPRING	1		
23	+	123127-15030	RING	1		
25		900223-04016	SCREW	2		
30		898510-39130	BAG, TOOL	1		
31		895410-02830	WRENCH, W/S. DRIVER	1		
32		895812-03930	DRIVER, SCREW 50	1		
33		898513-38330	SCABBARD, GUIDE BAR	1		
34	+	898568-14530	ROPE	1		



CS-4200(6digits)(21), -1--1, Carburetor (Sr/Nr 040770 and before)  
CS-4200(6digits)(21), 2008/11/28

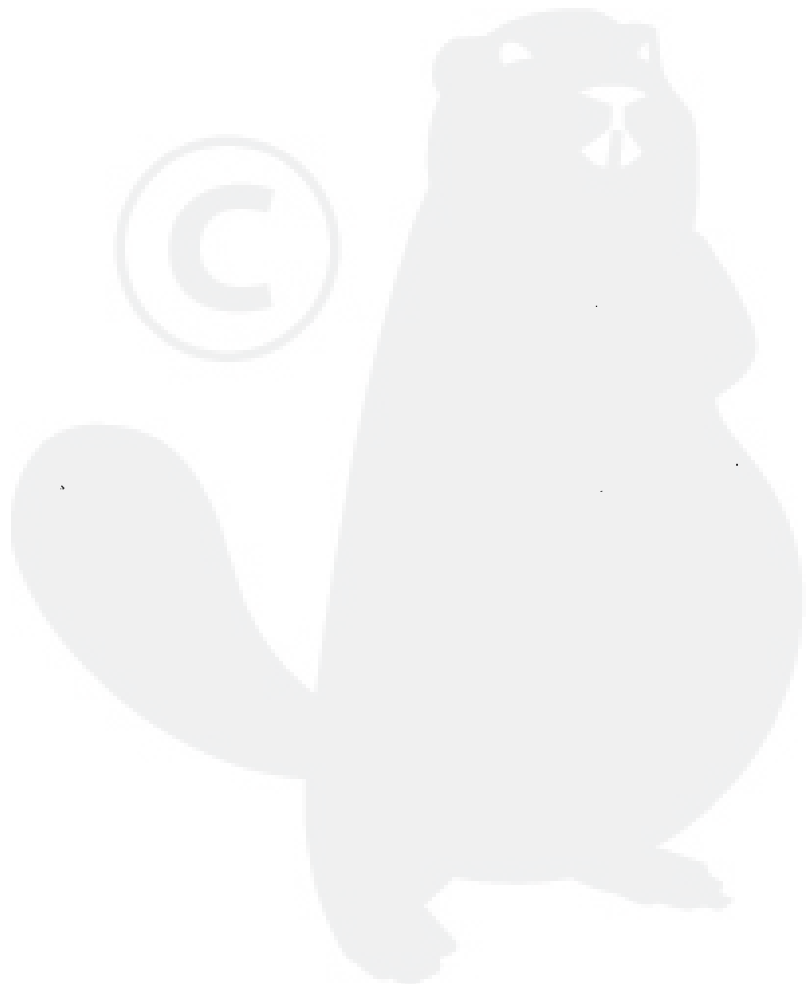
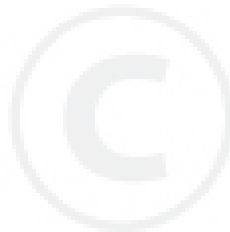


CS-4200(6digits)(21), -1--1, Carburetor (Sr/Nr 040770 and before)  
 CS-4200(6digits)(21), 2008/11/28

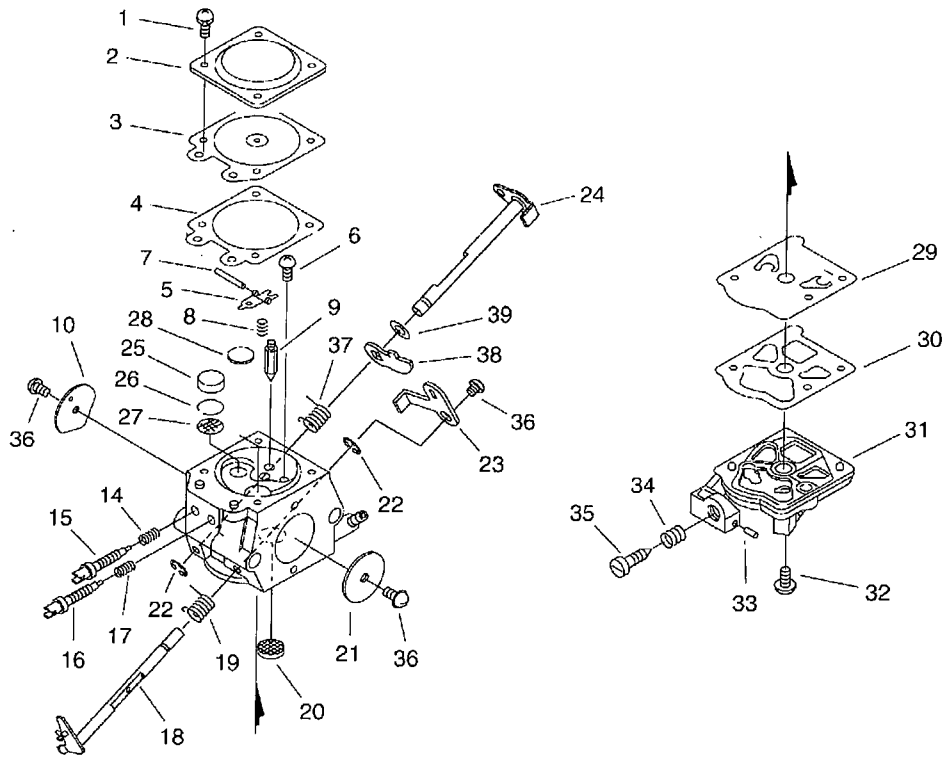
Key	Lv	Part no.	Part description	Quantity	Note1	Note2
		123000-38332	CARBURETOR ASSY	1		
1	+	123130-02960	SCREW	5		
2	+	123142-03930	COVER, M. DIAPHRAGM	1		
3	+	123141-03930	DIAPHRAGM, METERING	1		
4	+	123140-03930	GASKET, M. DIAPHRAGM	1		
5	+	123123-38330	LEVER, METERING	1		
6	+	123139-03930	SCREW, M. LEVER PIN	1		
7	+	123138-03930	PIN, METERING LEVER	1		
8	+	123122-11130	SPRING, METER. LEVER	1		
9	+	123137-19830	VALVE, INLET NEEDLE	1		
10	+	123132-37330	VALVE, CHOKE	1		
11	+	123114-03930	SCREW	1	Sus. by 123114-38830	
11	+	123114-38830	SCREW	1		
12	+	123136-10630	BALL, CHOKE FRICTION	1		
13	+	123135-10630	SPRING, CHOKE FRICT.	1		
14	+	123119-22130	SPRING, NEEDLE	1		
15	+	123120-38330	NEEDLE, HIGH SPEED	1		
16	+	123118-38330	NEEDLE, IDLE	1		
17	+	123121-22130	SPRING, NEEDLE	1		
18	+	123117-38330	SHAFT, THROTTLE	1		
19	+	123113-37530	SPRING, THROTTLE RTN	1		
20	+	123126-10631	SCREEN, INLET	1		
21	+	123116-10530	VALVE, THROTTLE	1		
22	+	123127-03930	CLIP, THROTTLE SHAFT	1		
23	+	123150-38330	LEVER, THROTTLE	1		
24	+	123131-35430	SHAFT, CHOKE	1		
25	+	123146-17330	PLUG, CUP	1		
26	+	123169-10630	RING, RETAINING	1		
27	+	123168-10631	SCREEN	1		
28	+	123146-10631	PLUG, WELCH	1		
29	+	123112-15030	DIAPHRAGM, FUEL PUMP	1		
30	+	123125-15030	GASKET, FUEL PUMP	1		
31	+	123124-38330	COVER, FUEL PUMP	1		
32	+	123110-03930	SCREW, PUMP COVER	1		
33	+	123178-15030	PLUG, FRICTION	1		
34	+	123133-04260	SPRING, IDLE ADJUST	1		

CS-4200(6digits)(21), -1--1, Carburetor (Sr/Nr 040770 and before)  
CS-4200(6digits)(21), 2008/11/28

Key	Lv	Part no.	Part description	Quantity	Note1	Note2
35	+	123134-04260	SCREW, IDLE ADJUST	1		
36	+	123114-38830	SCREW	2		



CS-4200(6digits)(21), -1--1, Carburetor (Sr/Nr 040771 to 21001367), CHINA  
CS-4200(6digits)(21), 2008/11/28



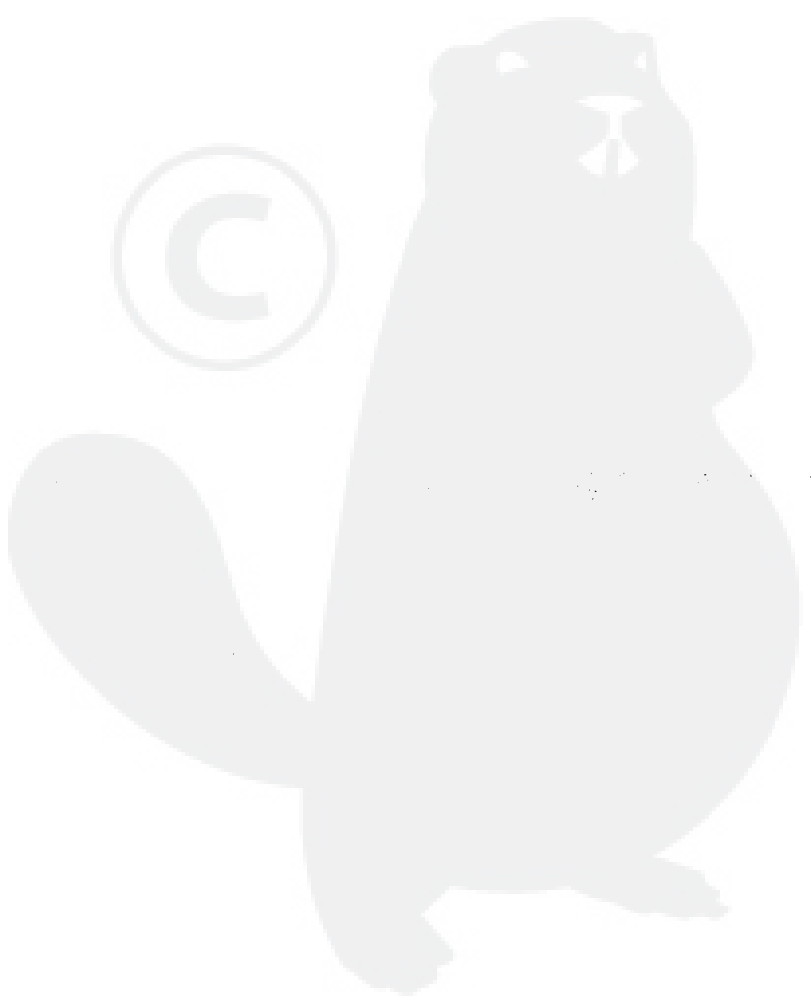
CS-4200(6digits)(21), -1--1, Carburetor (Sr/Nr 040771 to 21001367), CHINA  
 CS-4200(6digits)(21), 2008/11/28

Key	Lv	Part no.	Part description	Quantity	Note1	Note2
		A021-000080	CARBURETOR,DIAPHRAGM	1		
1	+	123130-02960	SCREW	4		
2	+	123142-03930	COVER, M. DIAPHRAGM	1		
3	+	123141-03930	DIAPHRAGM, METERING	1		
4	+	123140-03930	GASKET, M. DIAPHRAGM	1		
5	+	123123-38330	LEVER, METERING	1		
6	+	123139-03930	SCREW, M. LEVER PIN	1		
7	+	123138-03930	PIN, METERING LEVER	1		
8	+	123122-39330	SPRING, METER. LEVER	1		
9	+	123137-19830	VALVE, INLET NEEDLE	1		
10	+	123132-37330	VALVE, CHOKE	1		
14	+	123119-22130	SPRING, NEEDLE	1		
15	+	123120-38330	NEEDLE, HIGH SPEED	1		
16	+	123118-38330	NEEDLE, IDLE	1		
17	+	123121-22130	SPRING, NEEDLE	1		
18	+	P003-000120	SHAFT, THROTTLE	1		
19	+	123113-37530	SPRING, THROTTLE RTN	1		
20	+	123126-10631	SCREEN, INLET	1		
21	+	123116-10530	VALVE, THROTTLE	1		
22	+	123127-15030	RING	1		
23	+	P003-000130	THROTTLE, LEVER	1		
24	+	P003-000150	CHOKE, SHAFT	1		
25	+	123146-17330	PLUG, CUP	1		
26	+	123169-10630	RING, RETAINING	1		
27	+	123168-10631	SCREEN	1		
28	+	123146-10631	PLUG, WELCH	1		
29	+	123112-15030	DIAPHRAGM, FUEL PUMP	1		
30	+	123125-15030	GASKET, FUEL PUMP	1		
31	+	123124-38330	COVER, FUEL PUMP	1		
32	+	123110-03930	SCREW, PUMP COVER	1		
33	+	123178-15030	PLUG, FRICTION	1		
34	+	123133-04260	SPRING, IDLE ADJUST	1		
35	+	123134-04260	SCREW, IDLE ADJUST	1		
36	+	123114-38830	SCREW	3		
37	+	P003-000140	SPRING	1		
38	+	P003-000160	LEVER-FAST IDLE	1		

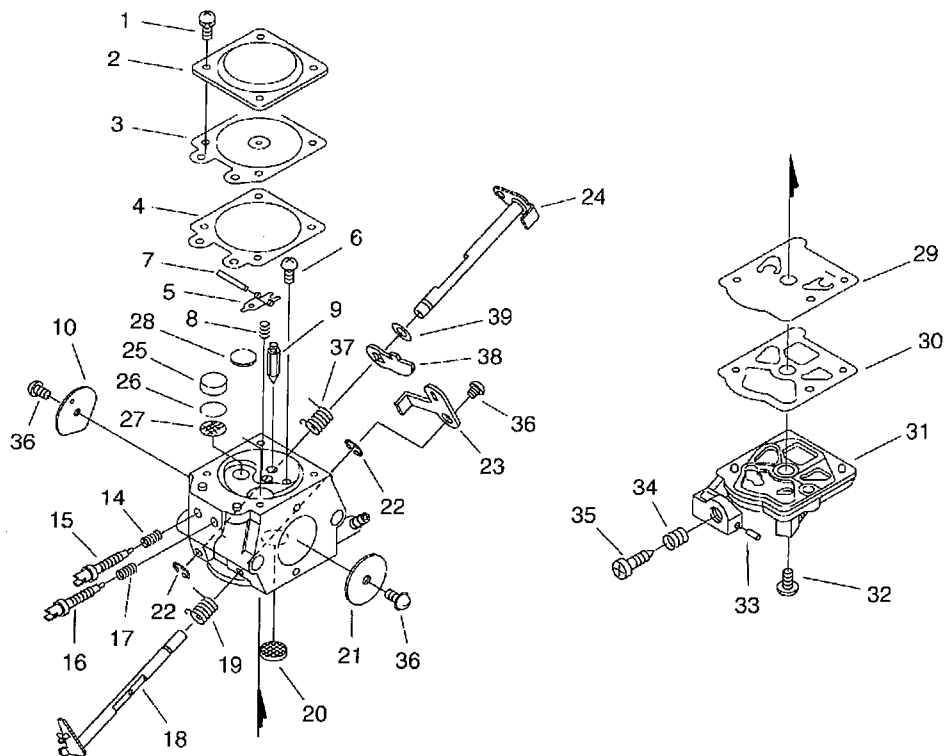


CS-4200(6digits)(21), -1--1, Carburetor (Sr/Nr 040771 to 21001367), CHINA  
CS-4200(6digits)(21), 2008/11/28

Key	Lv	Part no.	Part description	Quantity	Note1	Note2
39	+	123149-26030	WASHER	1		



CS-4200(6digits)(21), -1--1, Carburetor(Sr/Nr 21001368 to 21001457)  
CS-4200(6digits)(21), 2008/11/28



CS-4200(6digits)(21), -1--1, Carburetor(Sr/Nr 21001368 to 21001457)  
 CS-4200(6digits)(21), 2008/11/28

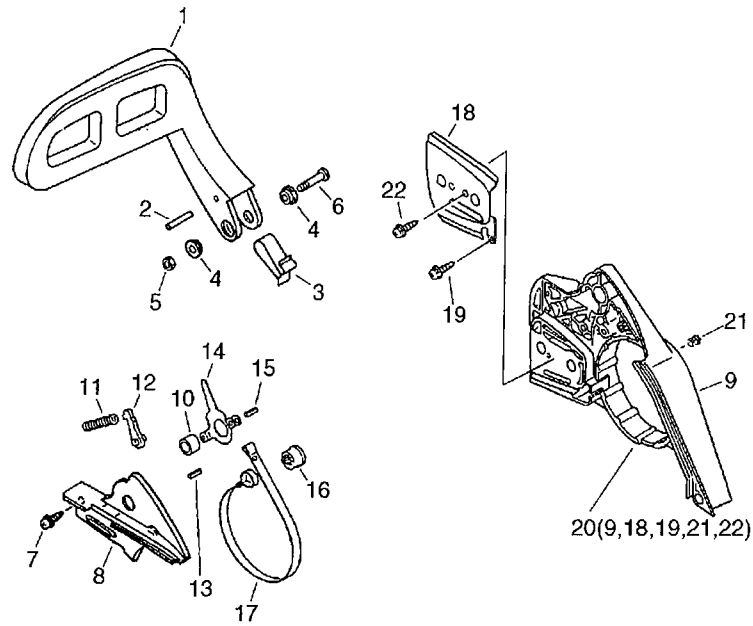
Key	Lv	Part no.	Part description	Quantity	Note1	Note2
		A021-000080	CARBURETOR,DIAPHRAGM	1		
1	+	123130-02960	SCREW	4		
2	+	123142-03930	COVER, M. DIAPHRAGM	1		
3	+	123141-03930	DIAPHRAGM, METERING	1		
4	+	123140-03930	GASKET, M. DIAPHRAGM	1		
5	+	123123-38330	LEVER, METERING	1		
6	+	123139-03930	SCREW, M. LEVER PIN	1		
7	+	123138-03930	PIN, METERING LEVER	1		
8	+	123122-39330	SPRING, METER. LEVER	1		
9	+	123137-19830	VALVE, INLET NEEDLE	1		
10	+	123132-37330	VALVE, CHOKE	1		
14	+	123119-22130	SPRING, NEEDLE	1		
15	+	123120-38330	NEEDLE, HIGH SPEED	1		
16	+	123118-38330	NEEDLE, IDLE	1		
17	+	123121-22130	SPRING, NEEDLE	1		
18	+	P003-000120	SHAFT, THROTTLE	1		
19	+	123113-37530	SPRING, THROTTLE RTN	1		
20	+	123126-10631	SCREEN, INLET	1		
21	+	123116-10530	VALVE, THROTTLE	1		
22	+	123127-15030	RING	2		
23	+	P003-000130	THROTTLE, LEVER	1		
24	+	P003-000150	CHOKE, SHAFT	1		
25	+	123146-17330	PLUG, CUP	1		
26	+	123169-10630	RING, RETAINING	1		
27	+	123168-10631	SCREEN	1		
28	+	123146-10631	PLUG, WELCH	1		
29	+	123112-15030	DIAPHRAGM, FUEL PUMP	1		
30	+	123125-15030	GASKET, FUEL PUMP	1		
31	+	123124-38330	COVER, FUEL PUMP	1		
32	+	123110-03930	SCREW, PUMP COVER	1		
33	+	123178-15030	PLUG, FRICTION	1		
34	+	123133-04260	SPRING, IDLE ADJUST	1		
35	+	123134-04260	SCREW, IDLE ADJUST	1		
36	+	123114-38830	SCREW	3		
37	+	P003-000140	SPRING	1		
38	+	P003-000160	LEVER-FAST IDLE	1		

CS-4200(6digits)(21), -1--1, Carburetor(Sr/Nr 21001368 to 21001457)  
CS-4200(6digits)(21), 2008/11/28

Key	Lv	Part no.	Part description	Quantity	Note1	Note2
39	+	123149-26030	WASHER	1		



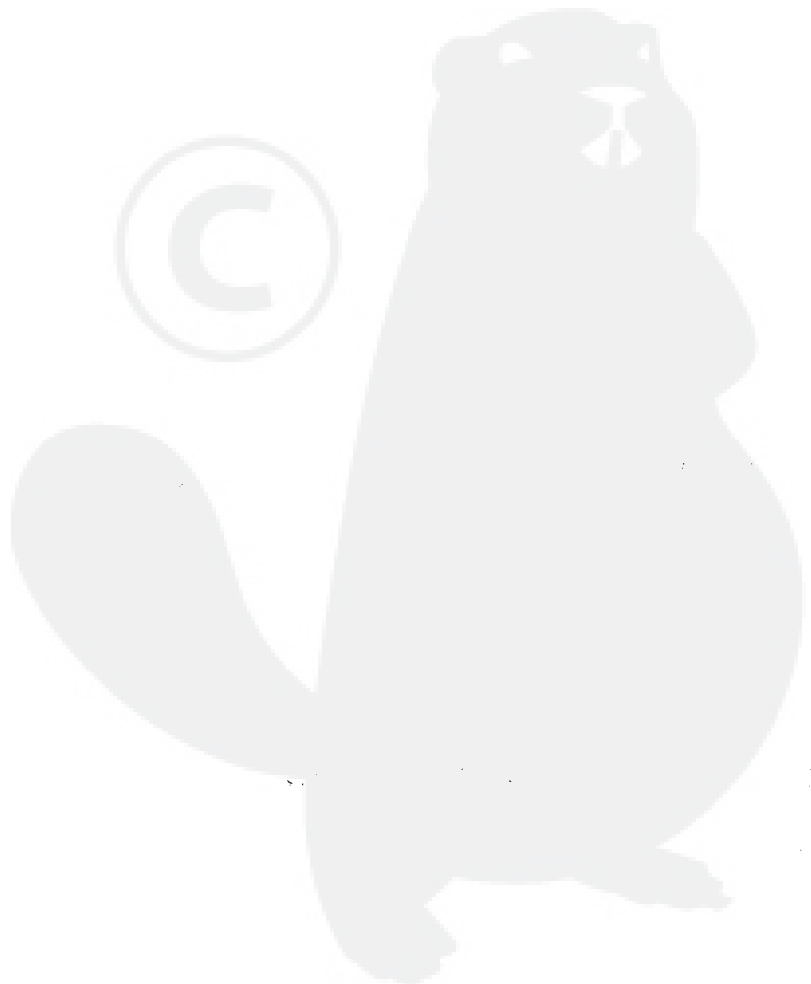
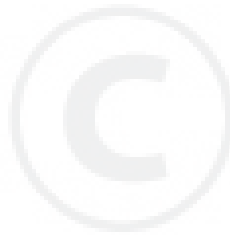
CS-4200(6digits)(21), -1--1, Chain Brake Asy(Sr/Nr 21001367 and before)  
CS-4200(6digits)(21), 2008/11/28



CS-4200(6digits)(21), -1--1, Chain Brake Assy(Sr/Nr 21001367 and before)  
 CS-4200(6digits)(21), 2008/11/28

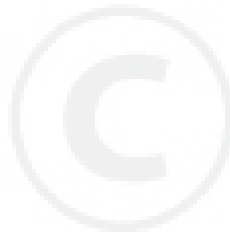
Key	Lv	Part no.	Part description	Quantity	Note1	Note2
		C032-000000	BRAKE,ASM CHAIN	1	Sus. by P021-010142	
		C032-000001	BRAKE,ASM CHAIN	1	Sus. by P021-010142	
		C032-000002	BRAKE,ASM CHAIN	1	Sus. by P021-010142	
		C032-000003	BRAKE,ASM CHAIN	1	Sus. by P021-010142	
		C032-000004	BRAKE,ASM CHAIN	1	Sus. by P021-010142	
		C032-000005	BRAKE,ASM CHAIN	1	Sus. by P021-010142	
		C032-000015	BRAKE,ASM CHAIN	1	Sus. by P021-010142	
		C032-000016	BRAKE,ASM CHAIN	1	Sus. by P021-010142	
		C032-000017	BRAKE,ASM CHAIN	1	Sus. by P021-010142	
		P021-010140	BRAKE,ASM CHAIN	1	Sus. by P021-010142	
		P021-010141	BRAKE,ASM CHAIN	1	Sus. by P021-010142	
		P021-010142	BRAKE,ASM CHAIN	1		
1	+	433105-60030	LEVER, BRAKE	1		
2	++	900330-30240	PIN 3*24	1		
3	++	433114-38331	SPRING	1		
4	+	433167-39130	SPACER	2		
5	+	900560-00005	NUT, LOCK 5	1	Sus. by 900562-50005	
5	+	900562-50005	LOCKNUT 5	1		
6	+	900209-05030	SCREW, 5*30	1	Sus. by 91318-05032	
6	+	91318-05032	SCREW	1		
7	+	900253-04010	SCREW 4*10	2		
8	+	433310-38330	COVER, BRAKE	1		
9	+	433005-39930	GUARD, SPROCKET	1	Sus. by P021-001312	
20	+	P021-001040	SPROCKET GUARD KIT	1	Sus. by P021-001312	
20	+	P021-001041	SPROCKET GUARD KIT	1	Sus. by P021-001312	
20	+	P021-001300	GUARD,SPROCKET SET	1	Sus. by P021-001312	
20	+	P021-001301	GUARD,SPROCKET SET	1	Sus. by P021-001312	
20	+	P021-001302	GUARD,SPROCKET SET	1	Sus. by P021-001312	
20	+	P021-001312	GUARD,SPROCKET SET	1		
9	++	433005-39931	GUARD, SPROCKET	1	Sus. by 433005-39932	
					Sr/Nr 013861 to 0	

9	++	433005-39932	GUARD, SPROCKET	1	18980	
9	++	433005-39933	GUARD, SPROCKET	1	Sus. by 433005-60935	
9	++	433005-39934	GUARD, SPROCKET	1	Sus. by 433005-60935	
9	++	433005-39935	GUARD, SPROCKET	1	Sus. by 433005-60935	
9	++	433005-60935	GUARD, SPROCKET	1	Sr/Nr 018981 and after	
18	++	C305-000010	PLATE, SPROCKET GUARD	1	Sus. by C305-000011	



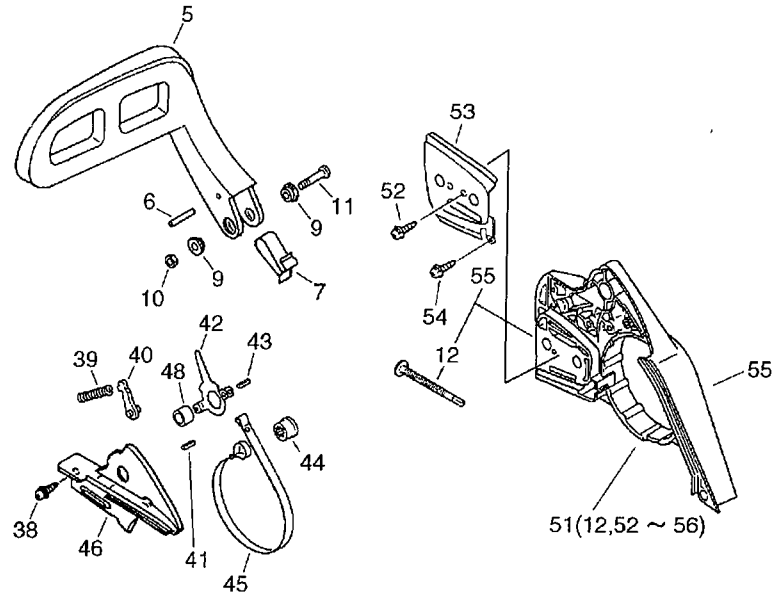
CS-4200(6digits)(21), -1--1, Chain Brake Assy(Sr/Nr 21001367 and before)  
 CS-4200(6digits)(21), 2008/11/28

Key	Lv	Part no.	Part description	Quantity	Note1	Note2
18	++	C305-000011	PLATE, SPROCKET GUARD	1	Sr/Nr 013861 and after	
19	++	900253-04008	SCREW 4*8	1	Sr/Nr 013861 and after	
21	++	V162-000020	PLUG	1	Can be needed for non-side-access type models	
22	++	900220-03006	SCREW 3*6	1	Sr/Nr 018981 and after	
10	+	433115-38330	WASHER 5.2*12*14	1		
11	+	433122-35430	SPRING, BRAKE	1		
12	+	433209-35430	STOPPER, BRAKE	1		
13	+	900342-25012	PIN, SPRING 2.5*12	1		
14	+	433208-35431	LEVER, BRAKE	1		
15	+	900330-40088	ROLLER 4*8.8	1		
16	+	433142-35430	ADJUSTER, BRAKE	1		
17	+	433123-35430	BAND, BRAKE	1	Sus. by C328-000060	
17	+	C328-000060	BAND, BRAKE	1		





CS-4200(6digits)(21), -1--1, Chain Brake Assy(Sr/Nr 21001368 to 21001457)  
CS-4200(6digits)(21), 2008/11/28



CS-4200(6digits)(21), -1--1, Chain Brake Assy(Sr/Nr 21001368 to 21001457)  
 CS-4200(6digits)(21), 2008/11/28

Key	Lv	Part no.	Part description	Quantity	Note1	Note2
		P021-010141	BRAKE,ASM CHAIN	1	Sus. by P021-010142	
		P021-010142	BRAKE,ASM CHAIN	1		
5	+	433105-60030	LEVER, BRAKE	1		
6	++	900330-30240	PIN 3*24	1		
7	++	433114-38331	SPRING	1		
9	+	433167-39130	SPACER	2		
10	+	900562-50005	LOCKNUT 5	1		
11	+	91318-05032	SCREW	1		
38	+	900253-04010	SCREW 4*10	2		
39	+	433122-35430	SPRING, BRAKE	1		
40	+	433209-35430	STOPPER, BRAKE	1		
41	+	900342-25012	PIN, SPRING 2.5*12	1		
42	+	433208-35431	LEVER, BRAKE	1		
43	+	900330-40088	ROLLER 4*8.8	1		
44	+	433142-35430	ADJUSTER, BRAKE	1		
45	+	C328-000060	BAND,BRAKE	1		
46	+	433310-38330	COVER, BRAKE	1		
48	+	433115-38330	WASHER 5.2*12*14	1		
51	+	P021-001313	GUARD,SPROCKET SET	1	Sus. by P021-001314	
51	+	P021-001314	GUARD,SPROCKET SET	1	Sus. by P021-001315	
51	+	P021-001315	GUARD,SPROCKET SET	1		
52	++	900220-03006	SCREW 3*6	1		
53	++	C305-000011	PLATE,SPROCKET GUARD	1		
54	++	900253-04008	SCREW 4*8	1		
54	++	900253-04010	SCREW 4*10	1		
55	++	P021-010170	GUARD, SPROCKET KIT	1	Sus. by P021-010171	
55	++	P021-010171	GUARD, SPROCKET KIT	1		
12	+++	V203-000110	BOLT,5	1		