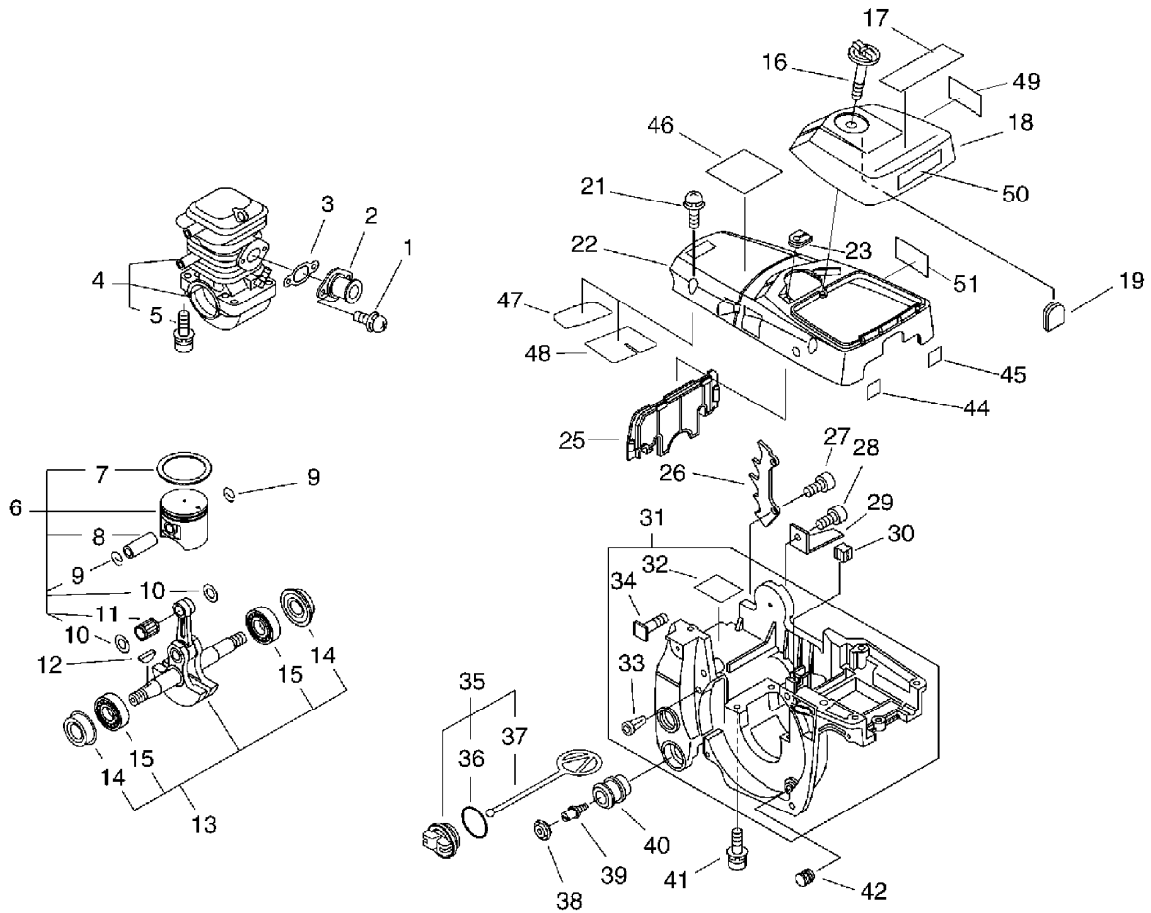




# **PARTS CATALOG**

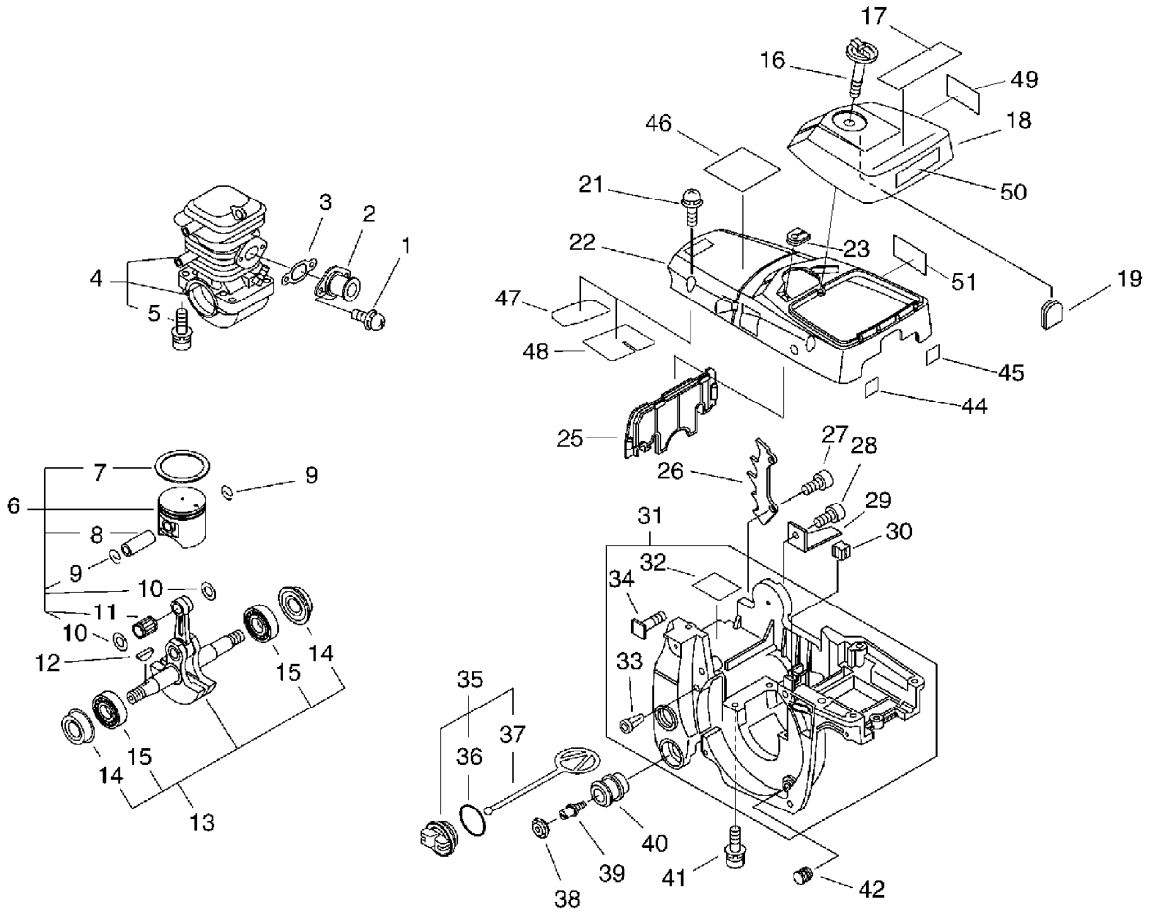
## **CHAIN SAW CS-420ES(70)**

# CS-420ES(70) 1 CYLINDER, PISTON, CRANKSHAFT



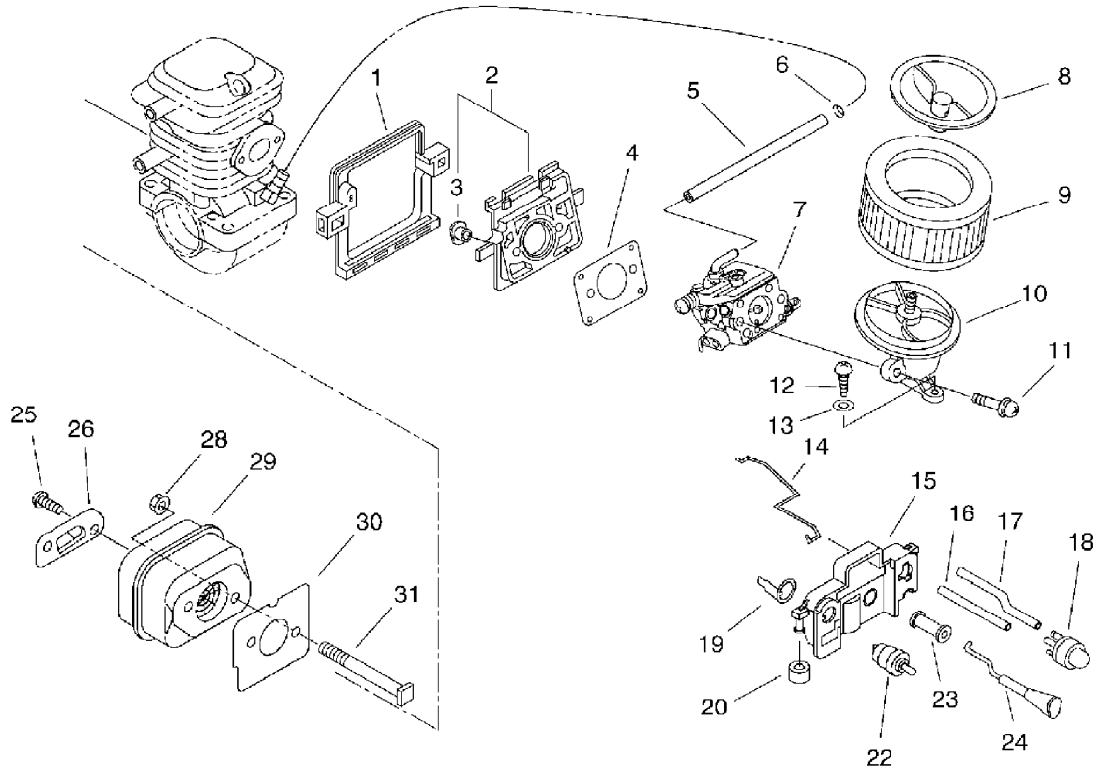
KEY	LV	PART NUMBER	Q'TY	DESCRIPTION	REMARKS
1		900238-05014	2	SCREW 5*14	
2		A202-000060	1	BELLOWS, INTAKE	
3		V103-000290	1	GASKET,INTAKE	
4		P021-017360	1	CRANKCASE SET	
5	+	900162-05022	4	BOLT, H.S. 5*22	
6		P021-036520	1	PISTON KIT	
7	+	A101-000160	1	RING, PISTON	
8	+	V607-000000	1	PIN,ENG 9	
9	+	100015-03931	2	CIRCLIP, PISTON PIN	
10	+	100014-53630	2	SPACER, PISTON PIN	
11	+	100012-16131	1	BEARING, NEEDLE	
12		100142-12330	1	KEY, WOODRUFF	
13		P021-012141	1	CRANKSHAFT ASY	
14	+	V505-000011	2	SEAL,OIL 12	
15	+	900888-36201	2	BEARING, BALL 6201	
16		A235-000020	1	KNOB,CLEANER LID	
17		X503-011990	1	LABEL,MODEL	
18		A232-000024	1	LID,CLEANER	
19		130338-32430	1	PLUG, COVER	
21		900238-05020	3	SCREW 5*20	
22		A160-000764	1	COVER,CYLINDER	
23		V135-000010	1	GROMMET,HT CORD	
25		A209-000000	1	PLATE,INSULATOR	
26		C304-000010	1	SPIKED	
27		91145-05020	2	BOLT HS TAPPING	
28		91145-05016	1	BOLT HS TAPPING	

# CS-420ES(70) 1 CYLINDER, PISTON, CRANKSHAFT



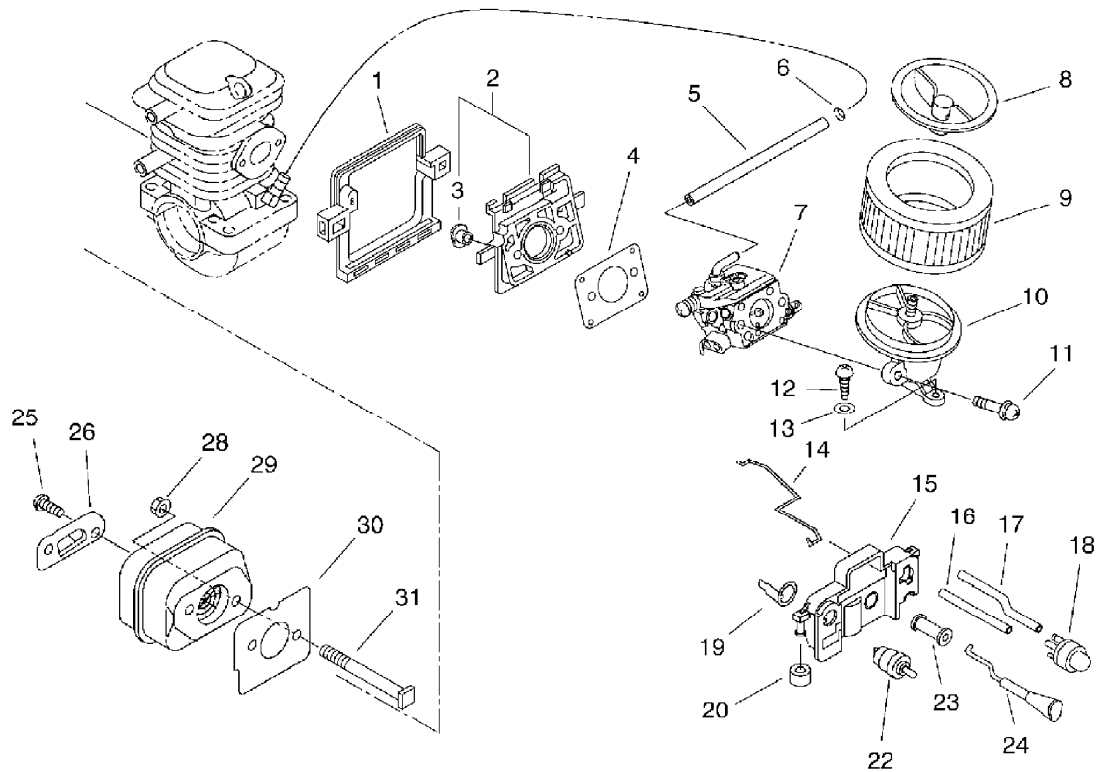
KEY	LV	PART NUMBER	Q'TY	DESCRIPTION	REMARKS
29		C310-000000	1	CATCHER, CHAIN	
30		150114-04920	1	BUSHING	
31		P021-009857	1	COVER ENGINE ASY	
32	+	V341-000050	1	WASHER, SQUARE	
33	+	436114-13930	1	VALVE, CHECK	
34	+	433011-19831	2	STUD, GUIDE BAR	
35		P021-007630	1	CAP ASY, TANK	
36	+	900721-00025	1	O-RING 25	
37	+	A365-000050	1	CONNECTOR, CAP	
38		100918-15130	2	CAP	
39		100915-33930	2	SCREW	
40		100910-60030	2	CUSHION	
41		900162-05030	4	BOLT, H.S. 5*30	
42		V420-001250	2	CUSHION	
44		890157-39130	1	LABEL, SWITCH	
45		X524-001900	1	LABEL	
46		890345-39230	1	LABEL, CAUTION	
47		V341-000070	1	WASHER, SQUARE	
48		V341-000060	1	WASHER, SQUARE	
49		X505-007100	1	LABEL, CAUTION	
50		X505-001340	1	LABEL, CAUTION	
51		X505-002340	1	LABEL, CAUTION	

# CS-420ES(70) 2 AIR CLEANER, MUFFLER



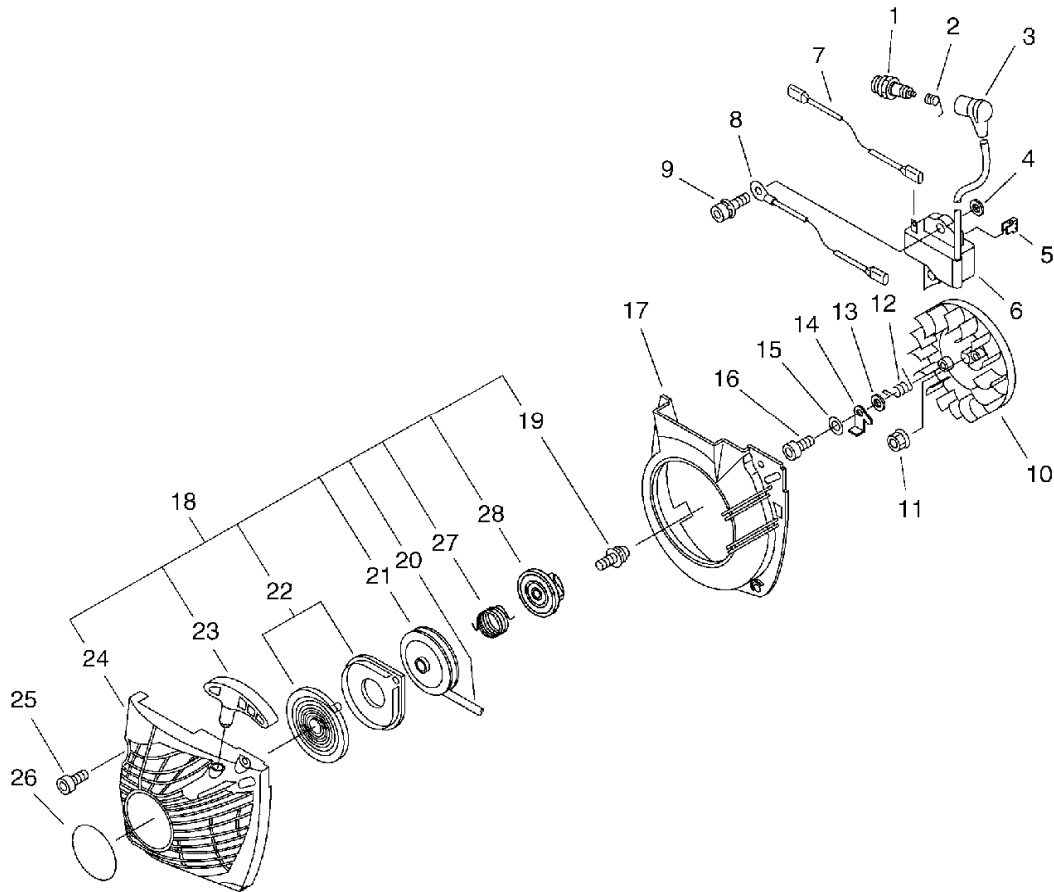
KEY	LV	PART NUMBER	Q'TY	DESCRIPTION	REMARKS
1		V420-001420	1	CUSHION	
2		130007-39932	1	INSULATOR	
3	+	130020-33330	2	NUT	
4		V103-000280	1	GASKET,INTAKE	
5		V471-001600	1	PIPE	
6		132013-09820	1	CLIP	
7		A021-001921	1	CARBURETOR,DIAPHRAGM	
8		P021-041330	1	HOLDER,ELEMENT ASY	
9		130300-39730	1	CLEANER ASM., AIR	
10		130301-39935	1	ADAPTER, INTAKE	
11		900238-05050	2	SCREW 5*50	
12		900253-05020	1	SCREW 5*20	
13		900600-00005	1	WASHER 5	
14		C454-000100	1	ROD, THROTTLE	
15		A439-000145	1	BRACKET,SWITCH	
16		V471-001280	1	PIPE	
17		V471-001470	1	PIPE	
18		123181-39130	1	PUMP, PRIMER	
19		V486-000021	1	TERMINAL,LEAD	
20		351134-39930	2	CUSHION	
22		163400-38330	1	SWITCH, IGNITION	
23		178810-14534	1	GROMMET	
24		A241-000140	1	KNOB, CHOKE	
25		900220-04008	2	SCREW 4*8	
26		A313-001001	1	GUIDE, EXHAUST	
28		900516-00005	2	NUT, FRANGE 5	

# CS-420ES(70) 2 AIR CLEANER, MUFFLER



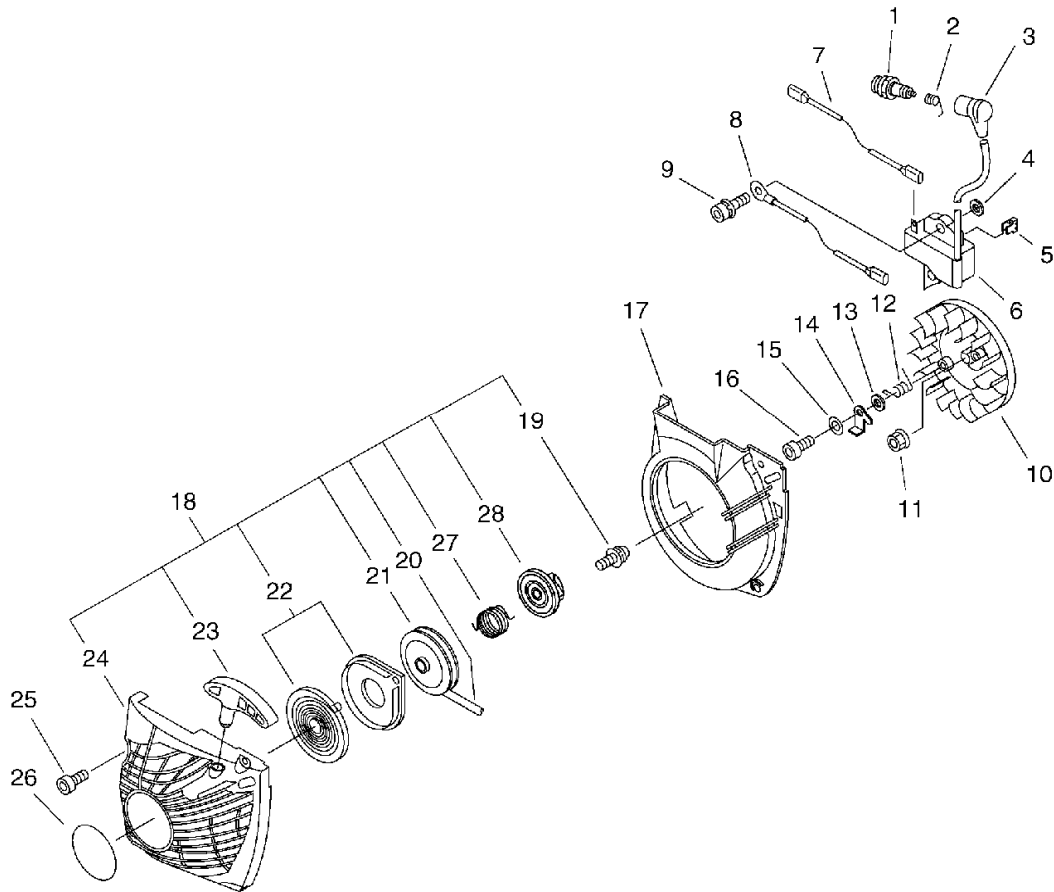
KEY	LV	PART NUMBER	Q'TY	DESCRIPTION	REMARKS
29		A300-000801	1	MUFFLER, EXHAUST	
30		V104-000732	1	GASKET, EXHAUST	
31		V203-000120	2	BOLT, 5	

# CS-420ES(70) 3 STARTER, MAGNETO



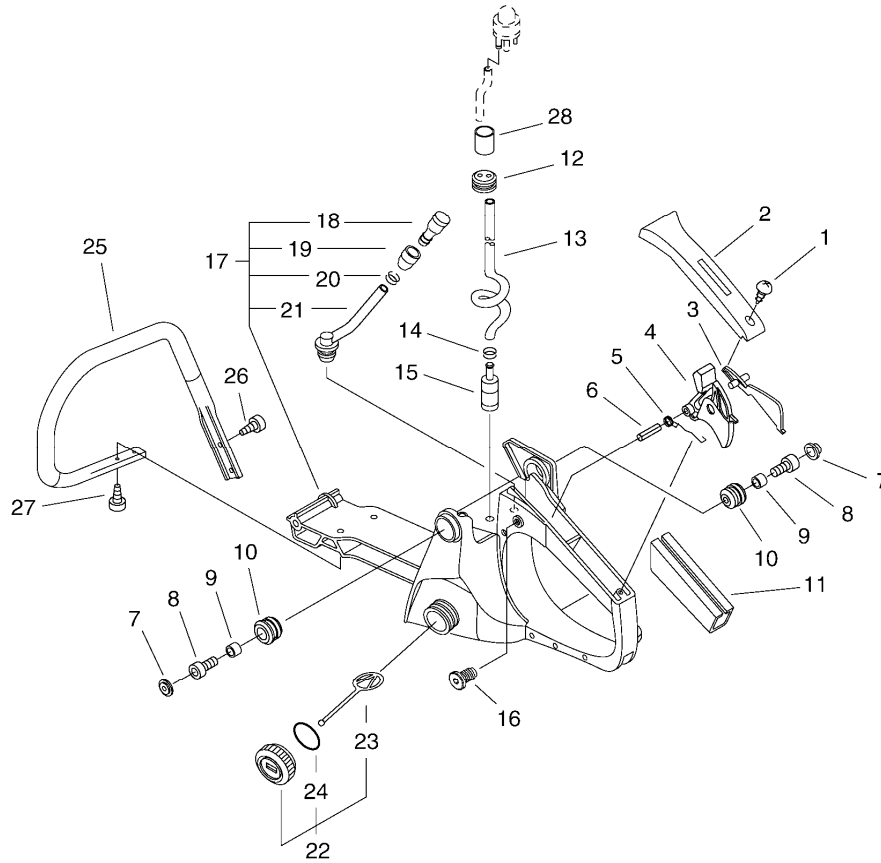
KEY	LV	PART NUMBER	Q'TY	DESCRIPTION	REMARKS
1		A425-000000	1	SPARKPLUG	
2		A426-000010	1	TERMINAL,SPARKPLUG	
3		A427-000013	1	CAP,SPARK PLUG	
4		150117-16430	2	SPACER	
5		V490-000310	1	CLIP	
6		A411-000264	1	COIL, IGNITION	
7		V485-000680	1	LEAD	
8		V485-000620	1	LEAD	
9		900162-05020	2	BOLT, H.S. 5*20	
10		A409-000272	1	ROTOR, MAGNETO	
11		900515-00008	1	NUT, FLANGE 8	
12		177234-35430	2	SPRING, RETURN	
13		177247-04630	2	SPACER, RATCHET	
14		A514-000050	2	PAWL	
15		900603-00005	2	WASHER 5	
16		V203-000090	2	BOLT,5	
17		A172-000573	1	COVER,FAN	
18		A051-000982	1	STARTER,RECOIL ASY	
19	+	177236-61830	1	SCREW	
20	+	P022-008440	1	ROPE	
21	+	A506-000460	1	REEL,ROPE	
22	+	P022-010440	1	SPRING KIT, REWIND	
23	+	P022-005891	1	GRIP, STARTER	
24	+	A500-000421	1	CASE,STARTER	
27	+	V452-001320	1	SPRING,TORSION	
28	+	A507-000110	1	CATCHER,PAWL	

# CS-420ES(70) 3 STARTER, MAGNETO



KEY	LV	PART NUMBER	Q'TY	DESCRIPTION	REMARKS
25		91145-05020	4	BOLT HS TAPPING	
26		X502-000780	1	LABEL,ECHO	

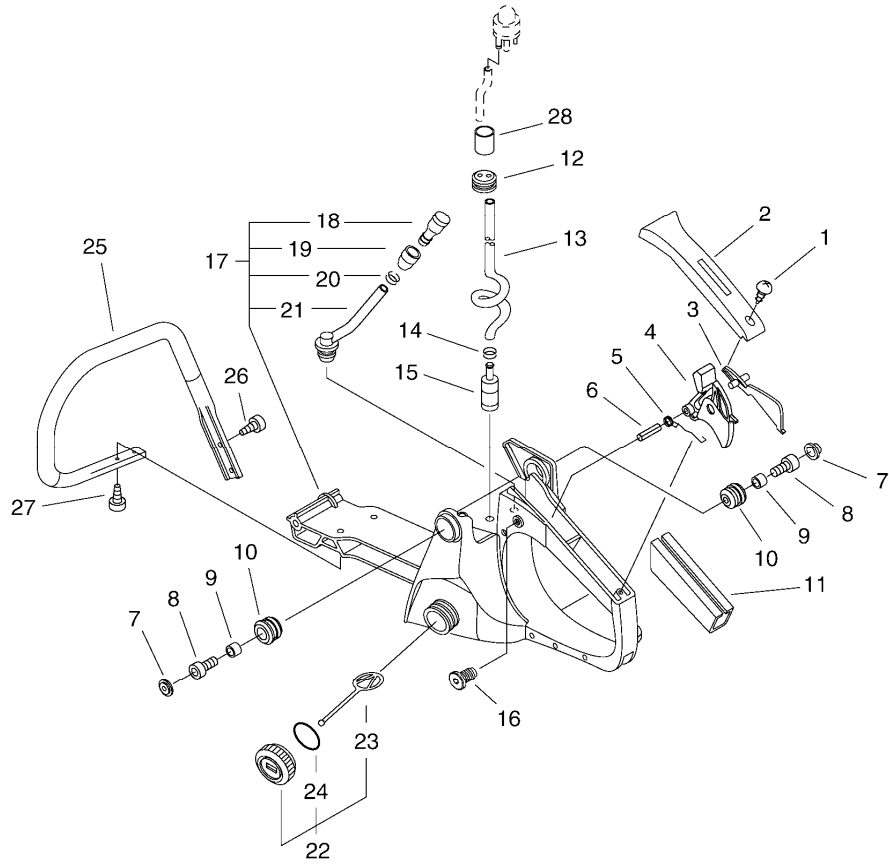
# CS-420ES(70) 4 HANDLE



KEY	LV	PART NUMBER	Q'TY	DESCRIPTION	REMARKS
1		900253-04014	1	SCREW 4*14	
2		351155-35430	1	COVER, HANDLE (BL)	
3		C460-000072	1	LOCKOUT, THROTTLE	
4		C450-000213	1	CONTROL, THROTTLE	
5		V452-000260	1	SPRING,TORSION	
6		900345-40030	1	PIN, SPRING 4*30SUS	
7		100918-15130	2	CAP	
8		900105-04020	2	BOLT, H.S. 4*20	
9		100915-15131	2	SUPPORTER, CUSHION	
10		V400-000051	2	CUSHION,4	
11		351111-19830	1	GRIP, HANDLE	
12		132115-44330	1	GROMMET	
13		132010-00760	1	PIPE, FUEL	
14		132013-09820	1	CLIP	
15		131205-19831	1	STRAINER, FUEL	
16		V162-000040	1	PLUG	
17		P021-010595	1	HANDLE SET, REAR	
18	+	131300-56431	1	VENT ASSEMBLY, FUEL	
19	+	131328-40630	1	COVER, VENT	
20	+	V490-001230	1	CLIP	
21	+	132012-39931	1	PIPE	
22		P021-036960	1	FUEL CAP ASY	
23	+	A365-000050	1	CONNECTOR,CAP	
24	+	V581-000610	1	RING,O	
25		C400-000431	1	HANDLE, FRONT	
26		91145-05020	2	BOLT HS TAPPING	

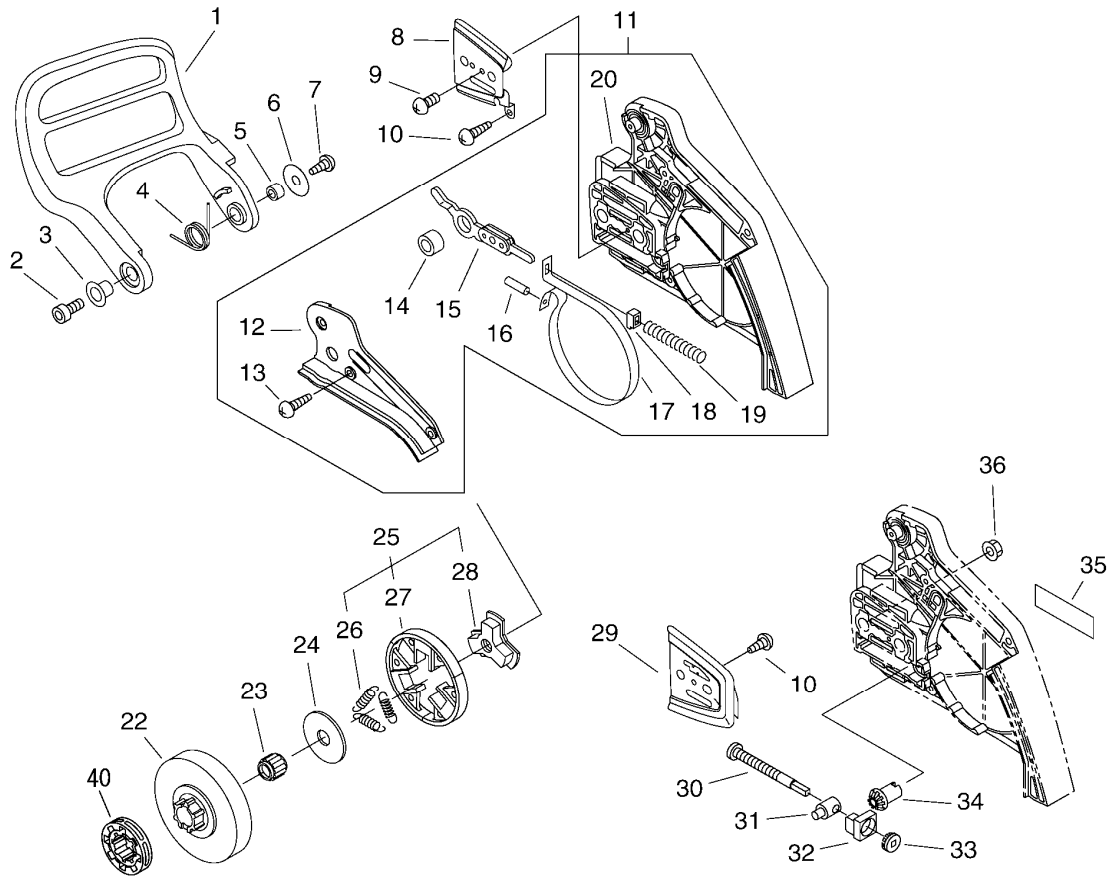


# CS-420ES(70) 4 HANDLE



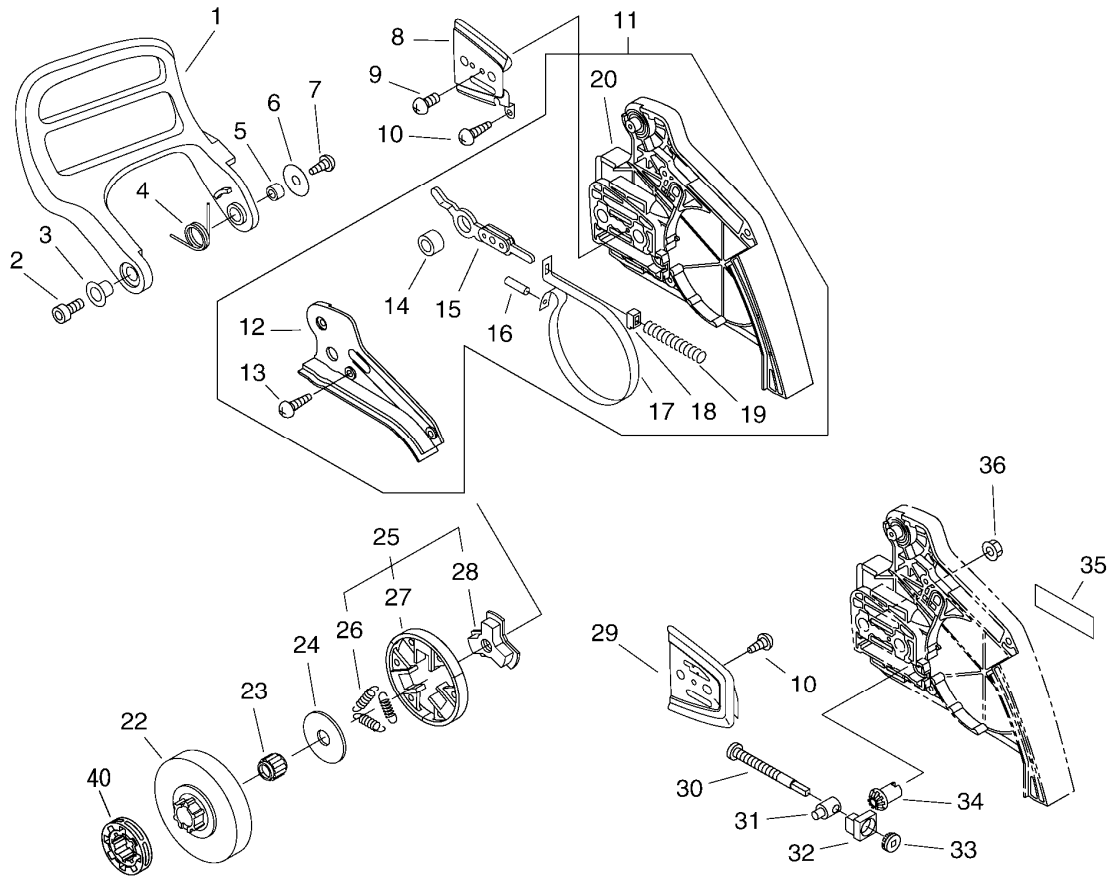
KEY	LV	PART NUMBER	Q'TY	DESCRIPTION	REMARKS
27		91145-05016	2	BOLT HS TAPPING	
28		V475-003970	1	TUBE	

# CS-420ES(70) 5 CHAIN BRAKE



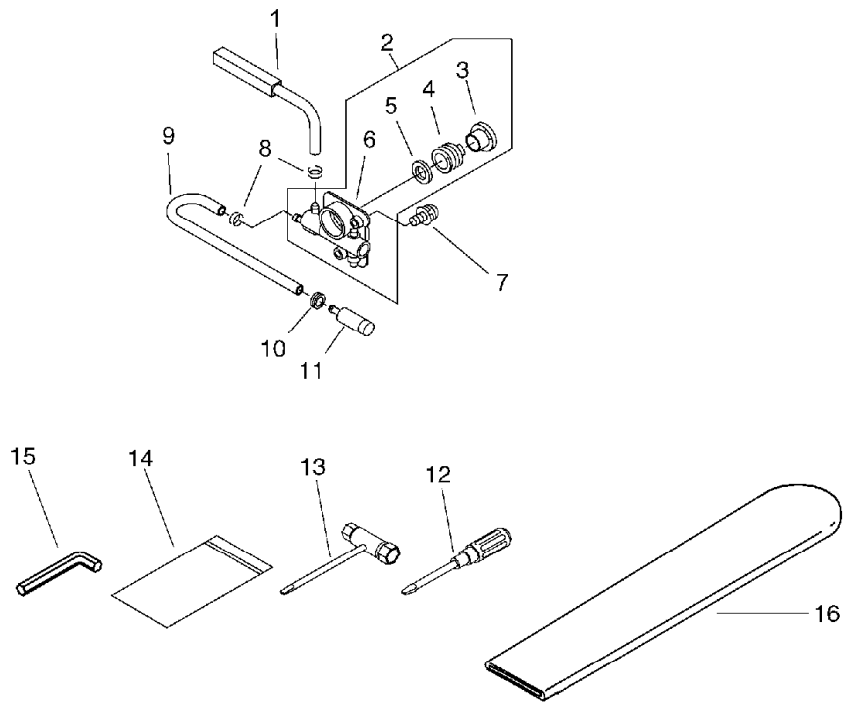
KEY	LV	PART NUMBER	Q'TY	DESCRIPTION	REMARKS
1		C320-000113	1	LEVER, BRAKE	
2		91145-05016	1	BOLT HS TAPPING	
3		V356-000300	1	COLLAR,10	
4		V452-000250	1	SPRING,TORSION	
5		433116-35430	1	SPACER 8	
6		177214-03930	1	WASHER	
7		V202-000070	1	BOLT,4	
8		C305-000012	1	PLATE,SPROCKET GUARD	
9		91325-03005	1	SCREW	
10		V202-000060	2	BOLT,4	
11		C032-000283	1	BRAKE ASY, CHAIN	
12	+	C345-000211	1	COVER,BRAKE	
13	+	V202-000060	3	BOLT,4	
14	+	433116-35430	1	SPACER 8	
15	+	C334-000090	1	CONNECTOR, BRAKE	
16	+	93050-30098	1	ROLLER	
17	+	C328-000080	1	BAND, BRAKE	
18	+	V376-000450	1	SPACER	
19	+	V450-000070	1	SPRING,COMPRESSION	
20	+	C300-000313	1	GUARD, SPROCKET	
22		A556-001270	1	DRUM, CLUTCH	
23		100012-12331	1	BEARING, NEEDLE	
24		175019-39430	1	PLATE, CLUTCH	
25		A056-000180	1	CLUTCH ASY	
26	+	V451-000500	3	SPRING,TENSION	
27	+	P021-007050	1	CLUTCH SHOE SET	

# CS-420ES(70) 5 CHAIN BRAKE



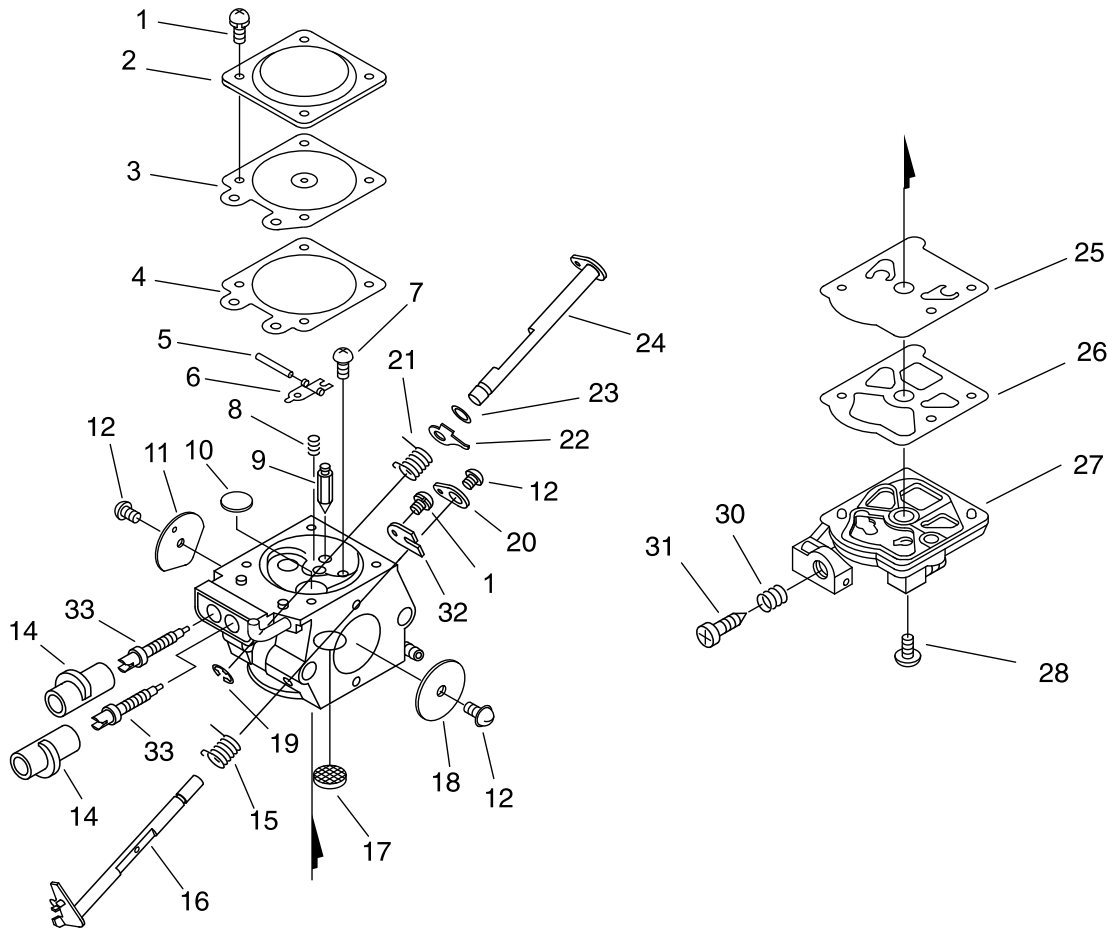
KEY	LV	PART NUMBER	Q'TY	DESCRIPTION	REMARKS
28	+	A552-000070	1	HUB, CLUTCH	
29		433012-39930	1	PLATE, GUIDE	
30		V203-000110	1	BOLT,5	
31		C309-000030	1	TENSIONER,CHAIN	
32		V355-000270	1	COLLAR,8	
33		V651-000011	1	GEAR,BEVEL	
34		V651-000001	1	GEAR,BEVEL	
35		X502-000340	1	LABEL,ECHO	
36		V265-000200	2	NUT	
40		175114-12530	1	SPROCKET, RIM .325	

# CS-420ES(70) 6 OIL PUMP



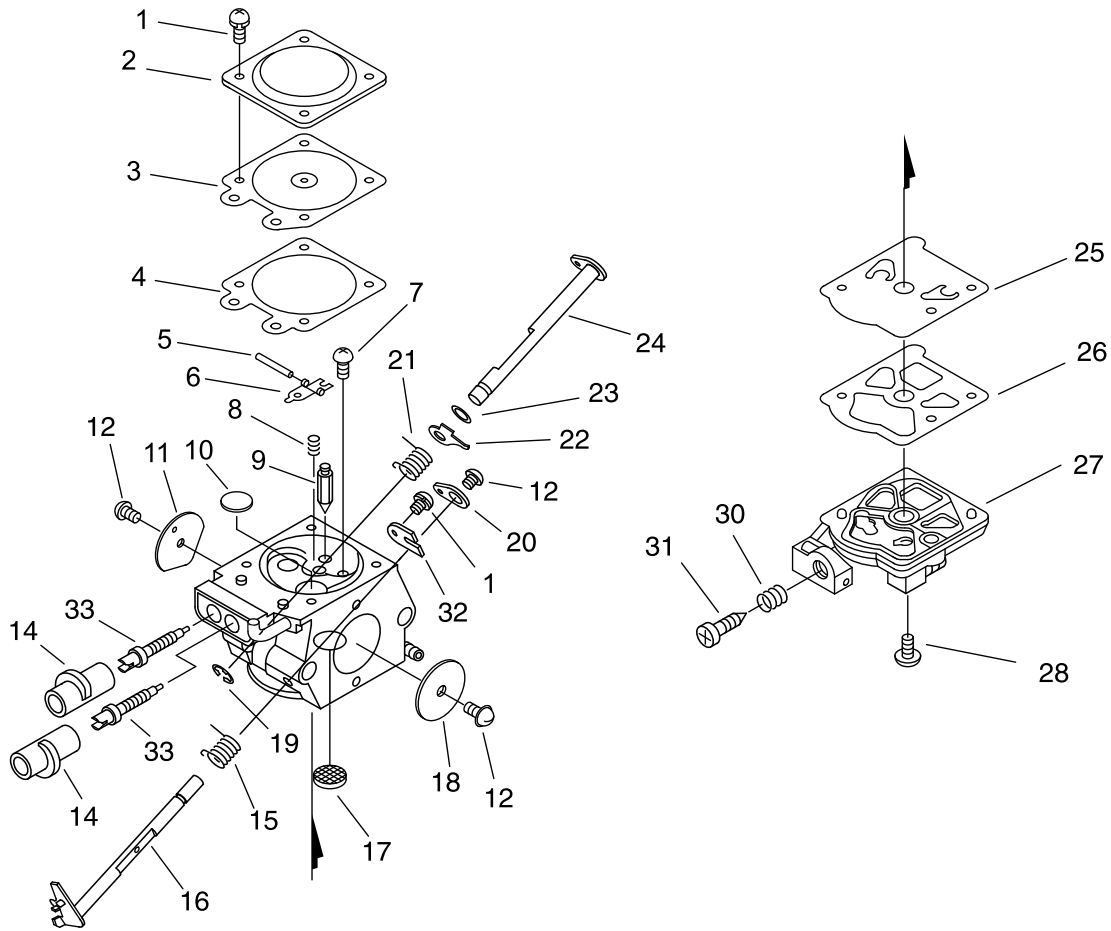
KEY	LV	PART NUMBER	Q'TY	DESCRIPTION	REMARKS
1		437210-39931	1	PIPE	
2		P021-040090	1	AUTO-OILER ASY	
3	+	V356-000352	1	COLLAR,10	
4	+	V652-000030	1	GEAR,WORM	
5	+	V308-000030	1	WASHER,CIRCULAR 11	
6	+	C022-000020	1	AUTO-OILER ASSEMBLY	
7		900238-04012	2	SCREW 4*12	
8		V490-001230	2	CLIP	
9		437210-35430	1	PIPE	
10		132115-12330	1	GROMMET	
11		436205-14730	1	STRAINER, OIL	
12		895812-03930	1	DRIVER, SCREW 50	
13		X602-000080	1	TOOL,WRENCH	
14		X698-000050	1	TOOL,CASE	
15		X605-000100	1	TOOL,L WRENCH	
16		X490-000570	1	SCABBARD,CHAIN	

# CS-420ES(70) 7 CARBURETOR



KEY	LV	PART NUMBER	Q'TY	DESCRIPTION	REMARKS
		A021-001921	1	CARBURETOR,DIAPHRAGM	
1	+	123130-02960	5	SCREW	
2	+	123142-03930	1	COVER, M. DIAPHRAGM	
3	+	P003-001850	1	DIAPHRAGM, METERING	
4	+	123140-03930	1	GASKET, M. DIAPHRAGM	
5	+	123138-03930	1	PIN, METERING LEVER	
6	+	123123-03930	1	LEVER, METERING	
7	+	123139-03930	1	SCREW, M. LEVER PIN	
8	+	123122-39330	1	SPRING, METER. LEVER	
9	+	123137-19830	1	VALVE, INLET NEEDLE	
10	+	123146-10631	1	PLUG, WELCH	
11	+	P003-001790	1	VALVE, CHOKE	
12	+	123114-38830	3	SCREW	
14	+	P003-000010	2	LIMITER CAP	
15	+	123113-37530	1	SPRING, THROTTLE RTN	
16	+	P003-001810	1	SHAFT ASY,THROTTLE	
17	+	123126-10631	1	SCREEN, INLET	
18	+	123116-10530	1	VALVE, THROTTLE	
19	+	123127-15030	1	RING	
20	+	P003-001780	1	LEVER, THROTTLE	
21	+	P003-000140	1	SPRING	
22	+	P003-001510	1	LEVER-FAST IDLE	
23	+	123149-26030	1	WASHER	
24	+	P003-000150	1	CHOKE, SHAFT	
25	+	123112-15030	1	DIAPHRAGM, FUEL PUMP	
26	+	123125-15030	1	GASKET, FUEL PUMP	

# CS-420ES(70) 7 CARBURETOR



KEY	LV	PART NUMBER	Q'TY	DESCRIPTION	REMARKS
27	+	P003-003930	1	COVER, FUEL PUMP	
28	+	123110-03930	1	SCREW, PUMP COVER	
30	+	123133-04260	1	SPRING, IDLE ADJUST	
31	+	123134-04260	1	SCREW, IDLE ADJUST	
32	+	123127-03930	1	CLIP, THROTTLE SHAFT	
33	+	123120-03661	2	NEEDLE	

**CS-420ES(70) 8 GUIDE BAR, CHAIN**

<b>GUIDE BAR</b>		<b>CHAIN</b>	
<b>1A</b>	<b>45RV58-325E</b>	<b>2A</b>	<b>21LPX-72E</b>

KEY	LV	PART NUMBER	Q'TY	DESCRIPTION	REMARKS
1A		430517-30133	1	BAR, GUIDE45RV58-325	
2A		X245-000011	1	CHAIN,SAW 21LPX-72E	

**Index**

<b>Patrs Number</b>	<b>Key No.</b>	<b>Patrs Number</b>	<b>Key No.</b>	<b>Patrs Number</b>	<b>Key No.</b>
100012-12331	5 - 23	163400-38330	2 - 22	A021-001921	2 - 7
100012-16131	1 - 11	175019-39430	5 - 24	A021-001921	7 -
100014-53630	1 - 10	175114-12530	5 - 40	A051-000982	3 - 18
100015-03931	1 - 9	177214-03930	5 - 6	A056-000180	5 - 25
100142-12330	1 - 12	177234-35430	3 - 12	A101-000160	1 - 7
100910-60030	1 - 40	177236-61830	3 - 19	A160-000764	1 - 22
100915-15131	4 - 9	177247-04630	3 - 13	A172-000573	3 - 17
100915-33930	1 - 39	178810-14534	2 - 23	A202-000060	1 - 2
100918-15130	1 - 38	351111-19830	4 - 11	A209-000000	1 - 25
100918-15130	4 - 7	351134-39930	2 - 20	A232-000024	1 - 18
123110-03930	7 - 28	351155-35430	4 - 2	A235-000020	1 - 16
123112-15030	7 - 25	430517-30133	8 - 1A	A241-000140	2 - 24
123113-37530	7 - 15	433011-19831	1 - 34	A300-000801	2 - 29
123114-38830	7 - 12	433012-39930	5 - 29	A313-001001	2 - 26
123116-10530	7 - 18	433116-35430	5 - 14	A365-000050	1 - 37
123120-03661	7 - 33	433116-35430	5 - 5	A365-000050	4 - 23
123122-39330	7 - 8	436114-13930	1 - 33	A409-000272	3 - 10
123123-03930	7 - 6	436205-14730	6 - 11	A411-000264	3 - 6
123125-15030	7 - 26	437210-35430	6 - 9	A425-000000	3 - 1
123126-10631	7 - 17	437210-39931	6 - 1	A426-000010	3 - 2
123127-03930	7 - 32	890157-39130	1 - 44	A427-000013	3 - 3
123127-15030	7 - 19	890345-39230	1 - 46	A439-000145	2 - 15
123130-02960	7 - 1	895812-03930	6 - 12	A500-000421	3 - 24
123133-04260	7 - 30	900105-04020	4 - 8	A506-000460	3 - 21
123134-04260	7 - 31	900162-05020	3 - 9	A507-000110	3 - 28
123137-19830	7 - 9	900162-05022	1 - 5	A514-000050	3 - 14
123138-03930	7 - 5	900162-05030	1 - 41	A552-000070	5 - 28
123139-03930	7 - 7	900220-04008	2 - 25	A556-001270	5 - 22
123140-03930	7 - 4	900238-04012	6 - 7	C022-000020	6 - 6
123142-03930	7 - 2	900238-05014	1 - 1	C032-000283	5 - 11
123146-10631	7 - 10	900238-05020	1 - 21	C300-000313	5 - 20
123149-26030	7 - 23	900238-05050	2 - 11	C304-000010	1 - 26
123181-39130	2 - 18	900253-04014	4 - 1	C305-000012	5 - 8
130007-39932	2 - 2	900253-05020	2 - 12	C309-000030	5 - 31
130020-33330	2 - 3	900345-40030	4 - 6	C310-000000	1 - 29
130300-39730	2 - 9	900515-00008	3 - 11	C320-000113	5 - 1
130301-39935	2 - 10	900516-00005	2 - 28	C328-000080	5 - 17
130338-32430	1 - 19	900600-00005	2 - 13	C334-000090	5 - 15
131205-19831	4 - 15	900603-00005	3 - 15	C345-000211	5 - 12
131300-56431	4 - 18	900721-00025	1 - 36	C400-000431	4 - 25
131328-40630	4 - 19	900888-36201	1 - 15	C450-000213	4 - 4
132010-00760	4 - 13	91145-05016	1 - 28	C454-000100	2 - 14
132012-39931	4 - 21	91145-05016	4 - 27	C460-000072	4 - 3
132013-09820	2 - 6	91145-05016	5 - 2	P003-000010	7 - 14
132013-09820	4 - 14	91145-05020	1 - 27	P003-000140	7 - 21
132115-12330	6 - 10	91145-05020	3 - 25	P003-000150	7 - 24
132115-44330	4 - 12	91145-05020	4 - 26	P003-001510	7 - 22
150114-04920	1 - 30	91325-03005	5 - 9	P003-001780	7 - 20
150117-16430	3 - 4	93050-30098	5 - 16	P003-001790	7 - 11



**Index**

<b>Patrs Number</b>	<b>Key No.</b>	<b>Patrs Number</b>	<b>Key No.</b>	<b>Patrs Number</b>	<b>Key No.</b>
P003-001810	7 - 16	V485-000680	3 - 7		
P003-001850	7 - 3	V486-000021	2 - 19		
P003-003930	7 - 27	V490-000310	3 - 5		
P021-007050	5 - 27	V490-001230	4 - 20		
P021-007630	1 - 35	V490-001230	6 - 8		
P021-009857	1 - 31	V505-000011	1 - 14		
P021-010595	4 - 17	V581-000610	4 - 24		
P021-012141	1 - 13	V607-000000	1 - 8		
P021-017360	1 - 4	V651-000001	5 - 34		
P021-036520	1 - 6	V651-000011	5 - 33		
P021-036960	4 - 22	V652-000030	6 - 4		
P021-040090	6 - 2	X245-000011	8 - 2A		
P021-041330	2 - 8	X490-000570	6 - 16		
P022-005891	3 - 23	X502-000340	5 - 35		
P022-008440	3 - 20	X502-000780	3 - 26		
P022-010440	3 - 22	X503-011990	1 - 17		
V103-000280	2 - 4	X505-001340	1 - 50		
V103-000290	1 - 3	X505-002340	1 - 51		
V104-000732	2 - 30	X505-007100	1 - 49		
V135-000010	1 - 23	X524-001900	1 - 45		
V162-000040	4 - 16	X602-000080	6 - 13		
V202-000060	5 - 10	X605-000100	6 - 15		
V202-000060	5 - 13	X698-000050	6 - 14		
V202-000070	5 - 7				
V203-000090	3 - 16				
V203-000110	5 - 30				
V203-000120	2 - 31				
V265-000200	5 - 36				
V308-000030	6 - 5				
V341-000050	1 - 32				
V341-000060	1 - 48				
V341-000070	1 - 47				
V355-000270	5 - 32				
V356-000300	5 - 3				
V356-000352	6 - 3				
V376-000450	5 - 18				
V400-000051	4 - 10				
V420-001250	1 - 42				
V420-001420	2 - 1				
V450-000070	5 - 19				
V451-000500	5 - 26				
V452-000250	5 - 4				
V452-000260	4 - 5				
V452-001320	3 - 27				
V471-001280	2 - 16				
V471-001470	2 - 17				
V471-001600	2 - 5				
V475-003970	4 - 28				
V485-000620	3 - 8				

# YAMABIKO CORPORATION

7-2 SUEHIROCHO 1-CHOME, OHME, TOKYO 198-8760, JAPAN  
PHONE: 81-428-32-6118. FAX: 81-428-32-6145.



12Fb  
No. 04-455