

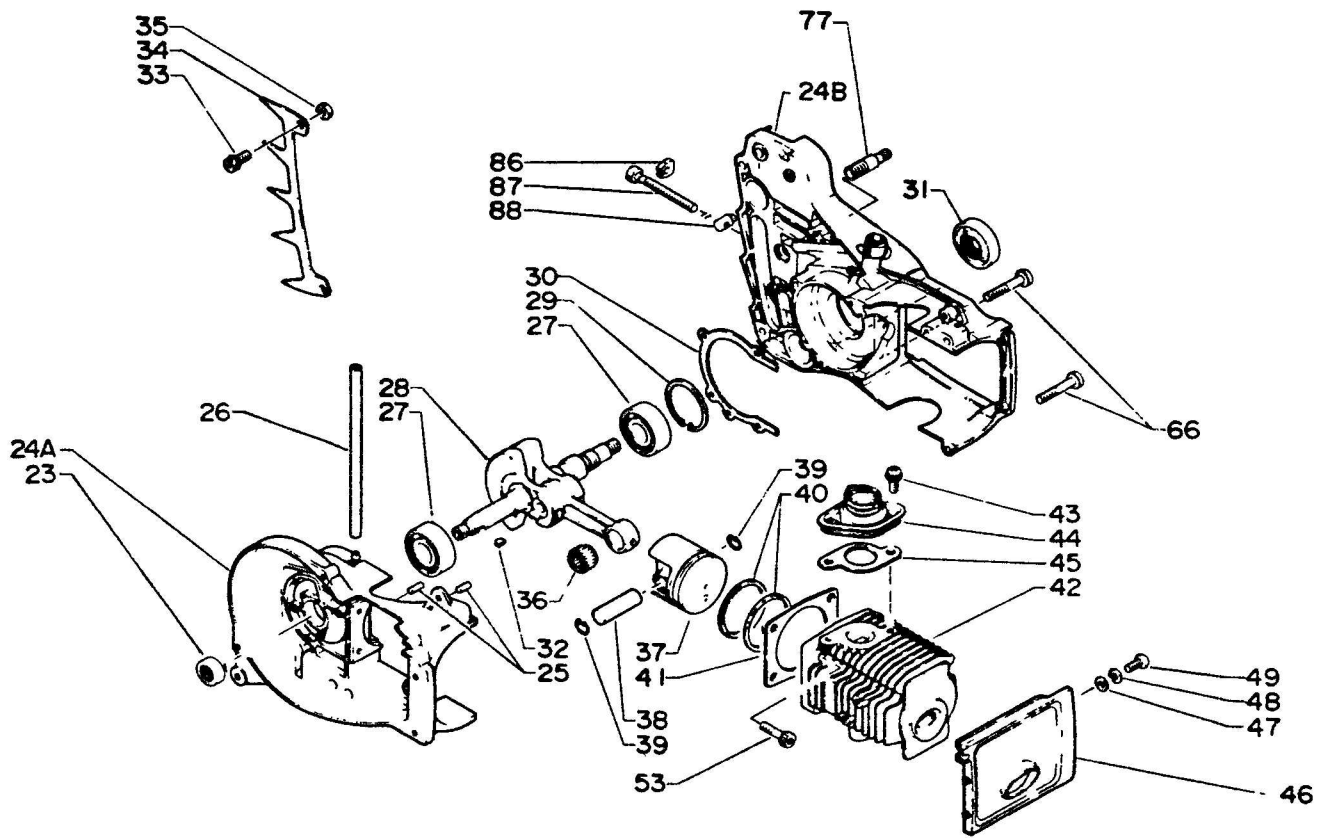


PARTS CATALOGUE

**ECHO
CHAIN SAW
CS-440EVL
CS-440EVL**



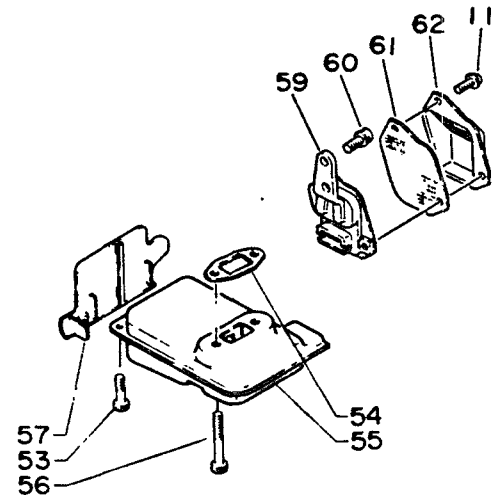
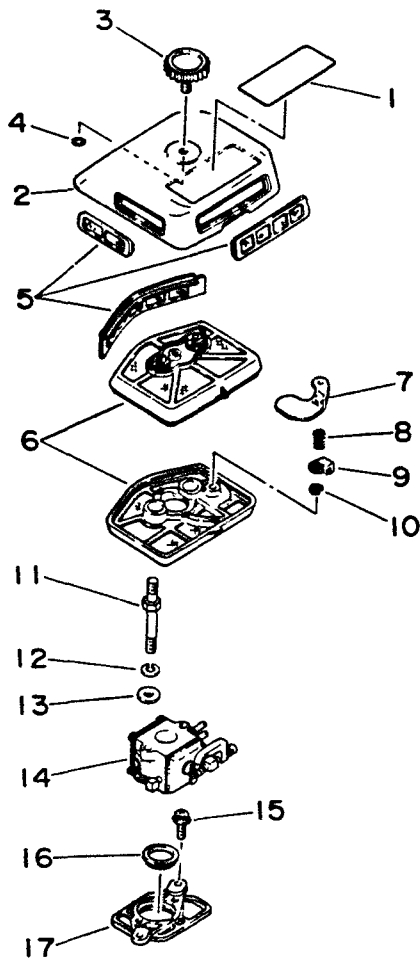
CS-440EVL 1



| Key No. | Part number | Q'ty | Description | Key No. | Part number | Q'ty | Description |
|---------|-----------------|------|---------------------|---------|----------------|------|--------------------|
| 1-23 | 100 212-1123 0 | 1 | Oilseal | 1-43 | 900 241-0501 0 | 2 | Screw 5x10 |
| 24 | 100 200-1453 3 | 1 | Crankcase set | 44 | 130 508-1633 0 | 1 | Adapter, intake |
| 25 | -100 215-0393 0 | 2 | Pin, dowel | 45 | 130 010-1233 0 | 1 | Gasket, carburetor |
| 26 | 130 110-1453 0 | 1 | Pipe, impulse | 46 | 101 514-1453 0 | 1 | Cover, cylinder |
| 27 | 900 810-0620 2 | 2 | Bearing, ball 6202 | 47 | 900 602-0000 4 | 2 | Washer 4 |
| (A) 28 | 100 104-1783 0 | 1 | Crankshaft ass'y | 48 | 900 605-0000 4 | 2 | Washer, spring 4 |
| 29 | 900 702-0003 5 | 1 | Circlip 35 | 49 | 900 220-0401 2 | 2 | Screw 4x12 |
| 30 | 884 000-1453 0 | 1 | Gasket, crankcase | 53 | 900 162-0502 0 | 4 | Bolt, H. S 5x20 |
| 31 | 100 213-0283 0 | 1 | Oilseal | 66 | 900 162-0503 0 | 6 | Bolt, H. S. 5x30 |
| 32 | 100 142-1233 0 | 1 | Key, woodruff | 77 | 433 011-1453 0 | 2 | Stud, guide bar |
| | 100 014-1733 0 | 1 | Spacer | | | | |
| 33 | 900 106-0501 2 | 2 | Bolt, H. S. 5 x 12 | 86 | 433 028-1103 0 | 1 | Clip |
| 34 | 880 210-1433 0 | 1 | Spike | 87 | 433 016-1103 1 | 1 | Screw, tensioner |
| 35 | 433 020-0083 0 | 2 | Locknut 5 | 88 | 433 014-0393 2 | 1 | Tensioner |
| 36 | 100 012-1233 0 | 1 | Bearing, needle | | | | |
| 37 | 100 010 1753 0 | 1 | Piston | | | | |
| 38 | 100 013-0573 1 | 1 | Pin, piston | | | | |
| 39 | 100 015-0012 0 | 2 | Circlip, piston pin | | | | |
| 40 | 100 011-1233 0 | 2 | Ring, piston | | | | |
| 41 | 101 010-1633 0 | 1 | Gasket, cyl. Base | | | | |
| 42 | 101 011-1633 0 | 1 | Cylinder | | | | |

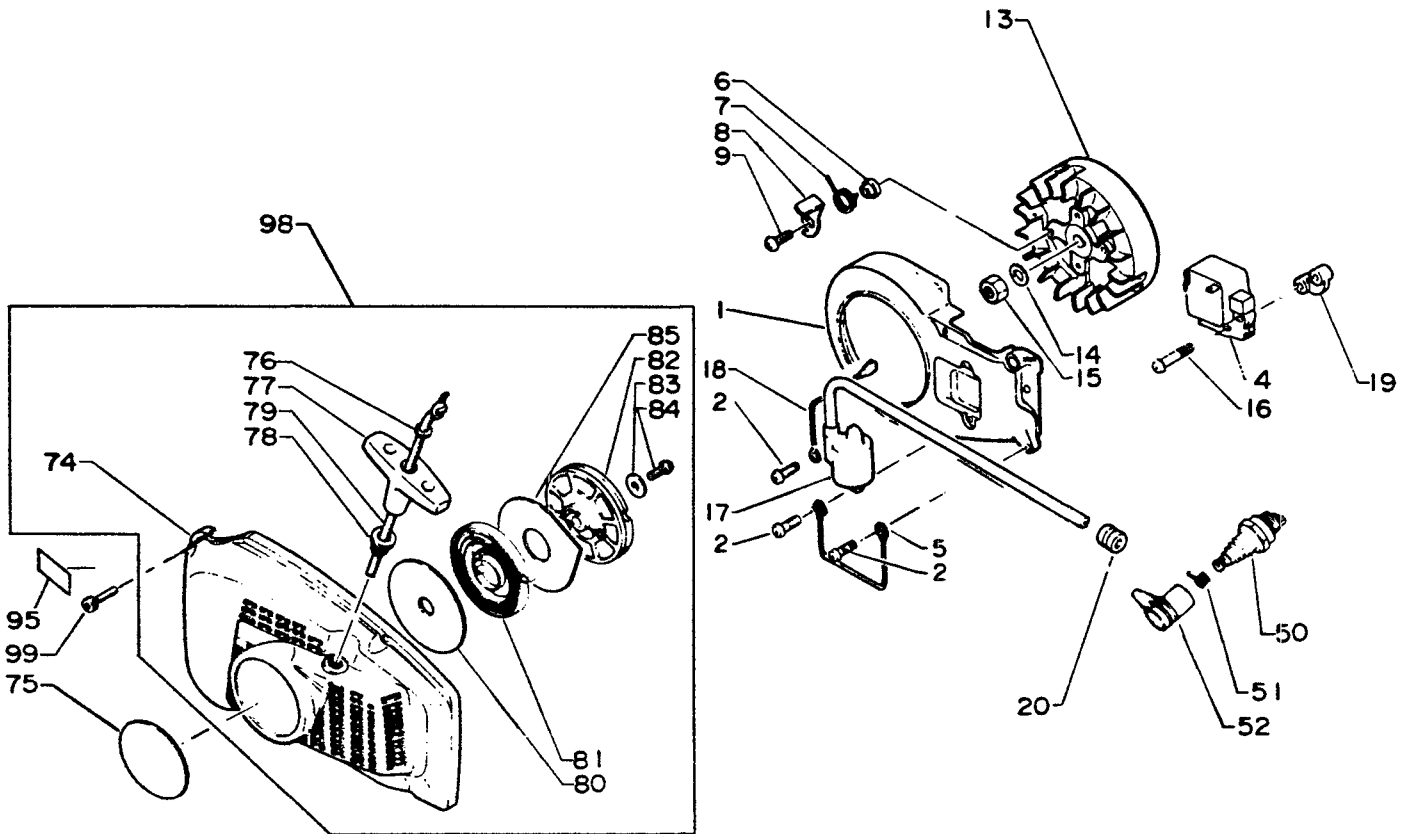
(A) See bulletin 85-025

CS-440EVL 2



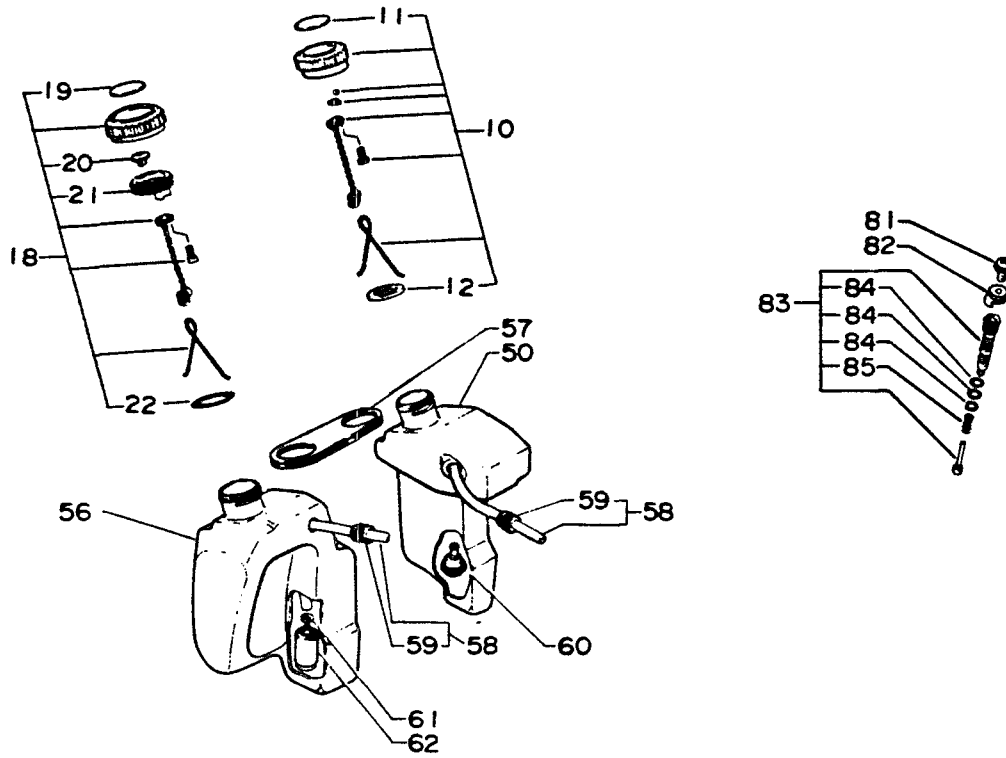
| Key No. | Part number | Q'ty | Description | Key No. | Part number | Q'ty | Description |
|---------|----------------|------|--------------------|---------|----------------|------|---------------------|
| 2- 1 | 890 151-1783 1 | 1 | Label, model | 2-16 | 130 511-1233 0 | 1 | Holder, intake adap |
| 2 | 130 813-1453 0 | 1 | Cover, air cleaner | 17 | 130 013-1453 0 | 1 | Adapter, carb. |
| 3 | 130 406-1433 0 | 1 | Bolt, thumb | 53 | 900 162-0502 0 | 1 | BolT, H.S. 5 x 20 |
| 4 | 900 720-0000 3 | 1 | O-ring 3 | 54 | 145 510-1053 0 | 1 | Gasket, muffler |
| 5 | 130 811-1453 0 | 1 | Screen kit, dust | 55 | 145 610-1633 0 | 1 | Muffler |
| 6 | 130 801-1453 0 | 1 | Filter, air | 56 | 900 162-0505 0 | 2 | Bolt, H.S. 5 x 50 |
| 7 | 178 515-1453 0 | 1 | Shutter, choke | 57 | 100 270-1453 0 | 1 | Insulator |
| 8 | 178 520-1453 0 | 1 | Coil spring | 59 | 145 806-1453 0 | 1 | Adapter |
| 9 | 178 517-1453 0 | 1 | Lever, choke | 60 | 900 106-0501 2 | 2 | H.S.H. bolt 5x12 |
| 10 | 900 700-0000 3 | 1 | Circlip | 61 | 145 862-1463 0 | 1 | Screen |
| 11 | 130 021-1453 0 | 2 | Stud | 62 | 145 863-1783 0 | 1 | Holder, screen |
| 12 | 900 605-0000 5 | 2 | Lock washer | | | | |
| 13 | 100 247-0283 0 | 2 | Washer | | | | |
| 14 | 123 000-1633 0 | 1 | Carburetor | | | | |
| 15 | 900 242-0401 2 | 2 | Screw 4x12 | | | | |

CS-440EVL 3



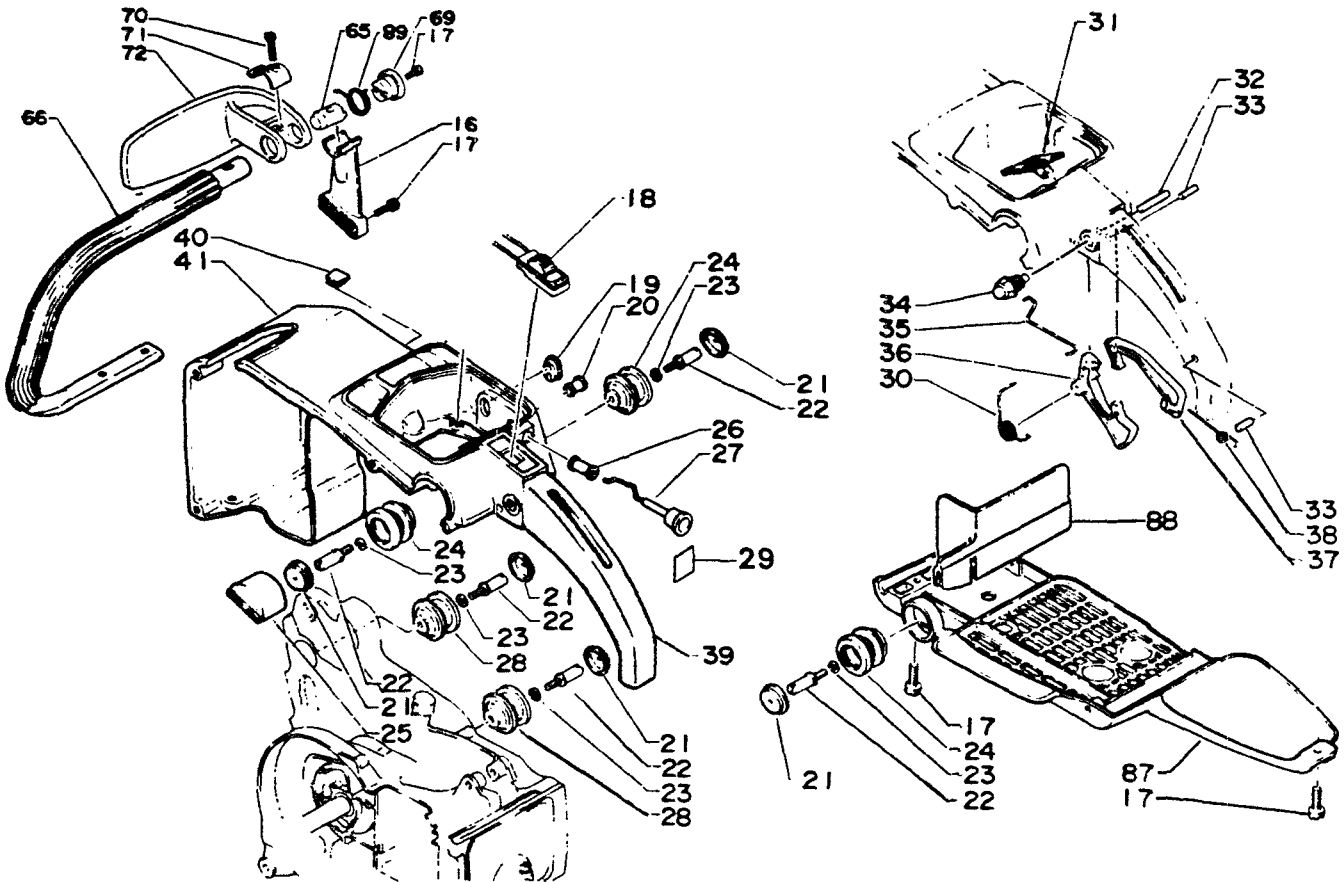
| Key No. | Part number | Q'ty | Description | Key No. | Part number | Q'ty | Description |
|---------|----------------|------|--------------------|---------|-----------------|------|-----------------|
| 3- 1 | 101 585-1453 0 | 1 | Cover, fan (Inner) | 3-95 | 890 176-1303 1 | 1 | Decal, noise |
| 2 | 900 242-0401 6 | 6 | Screw 4x16 | 98 | 177 200-1453 1 | 1 | Starter ass'y |
| 4 | 156 601-1453 0 | 1 | Module, C.D.I | 74 | -101 507-1453 0 | 1 | Cover, fan |
| 5 | 156 635-1523 0 | 1 | Lead, Ground | 76 | -177 229-1433 0 | 1 | Washer |
| 6 | 177 247-0393 2 | 2 | Spacer, ratchet | 77 | -177 228-1233 0 | 1 | Grip, starter |
| 7 | 177 234-1453 0 | 2 | Spring, return | 78 | -177 227-0023 0 | 1 | Guide, rope |
| 8 | 177 218-1453 0 | 2 | Pawl, starter | 79 | -177 226-0393 0 | 1 | Rope, starter |
| 9 | 177 217-1453 0 | 2 | Screw, pawl | 80 | -177 221-0393 0 | 1 | Plate, starter |
| 13 | 156 801-1453 0 | 1 | Flywheel | 81 | -177 220-0393 0 | 1 | Spring, rewind |
| 14 | 900 611-0000 8 | 1 | Lockwasher 8 | 82 | -177 215-1453 1 | 1 | Drum, starter |
| 15 | 900 500-0000 8 | 1 | Nut 8 | 83 | -177 214-0283 0 | 1 | Washer |
| 16 | 900 162-0502 8 | 2 | Bolt, H.S. 5x28 | 84 | -900 241-0501 0 | 1 | Screw 5x10 |
| 17 | 156 626-1523 0 | 1 | Coil, ignition | 85 | -177 242-0393 0 | 1 | Plate, starter |
| 18 | 156 630-1523 0 | 1 | Lead | 99 | 900 162-0502 0 | 4 | Bolt, H.S. 5x20 |
| 19 | 156 117-1453 0 | 1 | Spacer | | | | |
| 20 | 132 115-1233 0 | 1 | Grommet | | | | |
| 50 | 159 010-1063 0 | 1 | Plug, spark BPM-7A | | | | |
| 51 | 159 011-0343 2 | 1 | Coil, plug cap | | | | |
| 52 | 159 012-0343 3 | 1 | Cap, spark plug | | | | |
| 75 | 890 112-1783 1 | 1 | Label, ECHO | | | | |

CS-440EVL 4



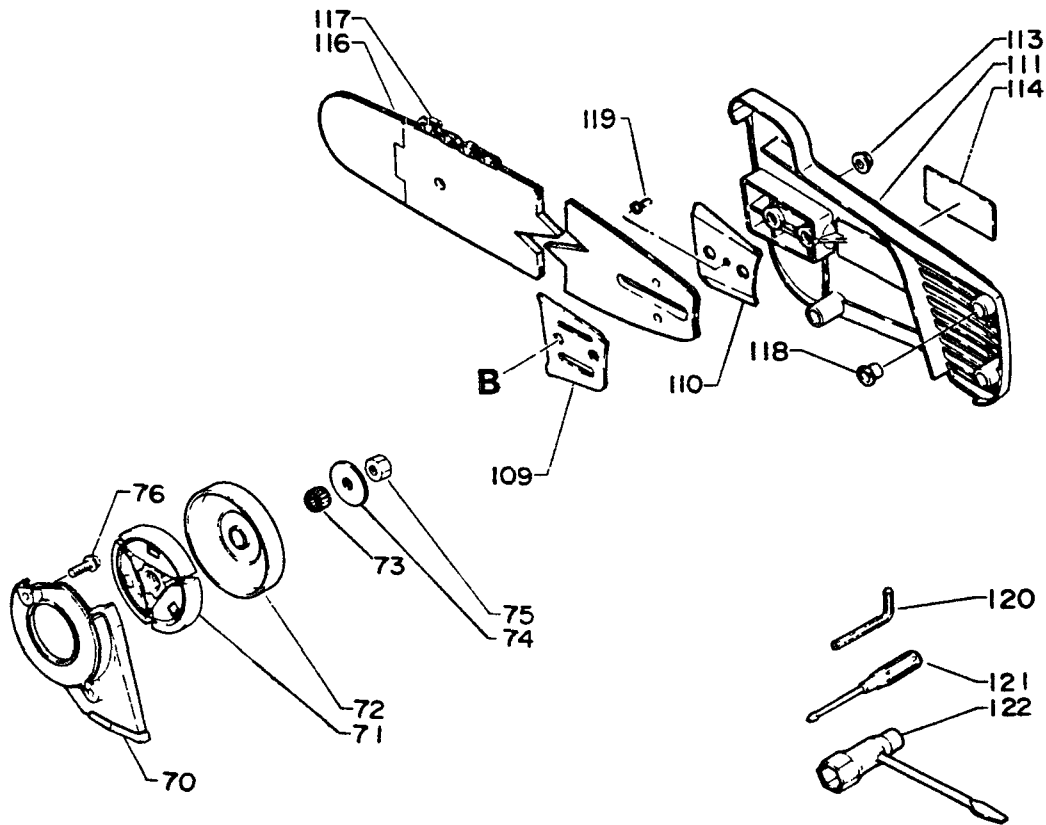
| Key No. | Patr number | Q'ty | Description | Key No. | Part number | Q'ty | Description |
|---------|-----------------|------|----------------------|---------|-----------------|------|------------------|
| 4-10 | 436 002-1453 0 | 1 | Cap ass'y, oil | 4-62 | 131 205-0083 0 | 1 | Strainer, fuel |
| 11 | -890 153-1143 0 | 1 | Label, oil | 81 | 900 220-0501 0 | 1 | Screw 5 x10 |
| 12 | -436 012-1233 0 | 1 | Gasket, cap | 82 | 437 059-1113 3 | 1 | Lockwasher |
| 18 | 131 600-1453 1 | 1 | Cap ass'y, fuel tank | 83 | 437 000-0343 0 | 1 | Auto-oiler ass'y |
| 19 | -890 154-1513 0 | 1 | Label, fuel mix | 84 | -437 020-0283 0 | 3 | O-Ring (S-5) |
| 20 | -131 314-0033 0 | 1 | Valve, check | 85 | -437 019-0283 0 | 1 | Spring, oiler |
| 21 | -131 015-1453 1 | 1 | Holder, check valve | | | | |
| 22 | -900 720-0002 2 | 1 | O-Ring 22 | | | | |
| 50 | 436 010-1453 0 | 1 | Tank, oil | | | | |
| 56 | 131 010-1633 0 | 1 | Tank, fuel | | | | |
| 57 | 131 038-1233 1 | 1 | Connector | | | | |
| 58 | 132 007-1453 0 | 2 | Pipe w./grommet | | | | |
| 59 | -132 115-1233 0 | 2 | Grommet | | | | |
| 60 | 436 205-1473 0 | 1 | Strainer, oil | | | | |
| 61 | 900 603-0000 5 | 1 | Washer 5 | | | | |

CS-440EVL 5



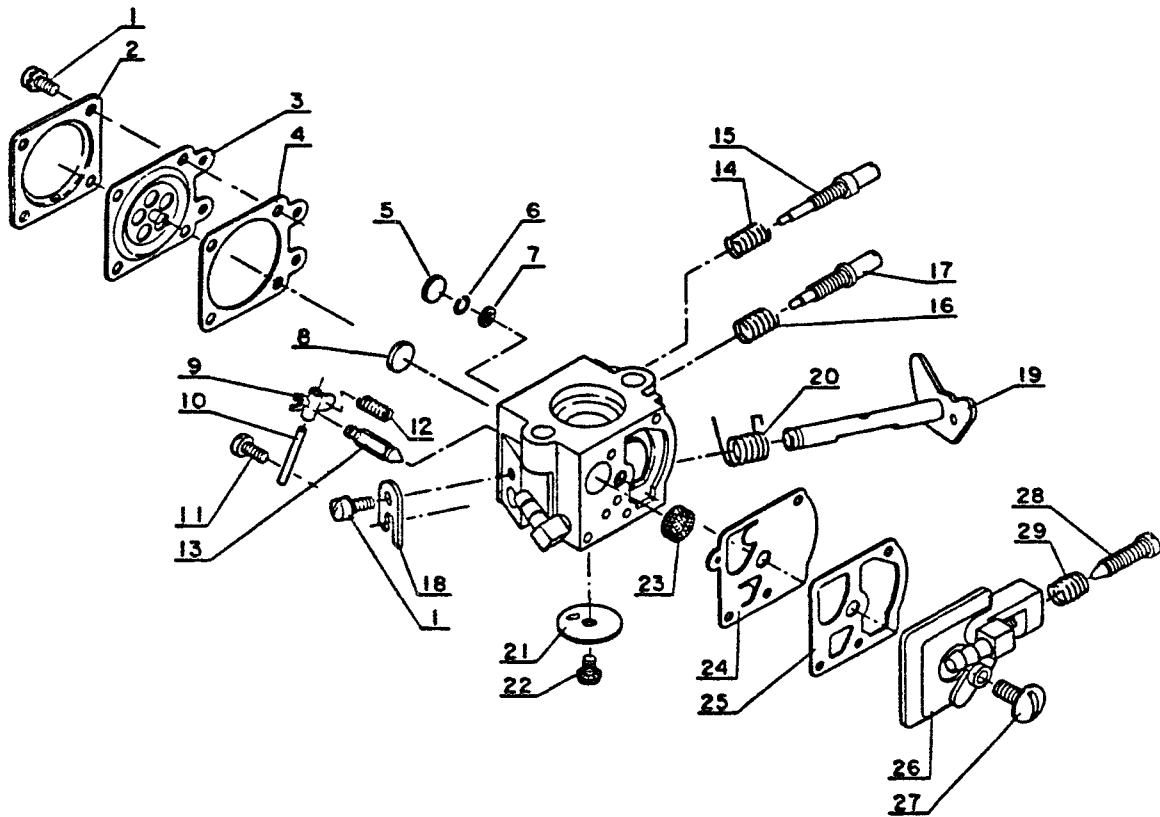
| Key No. | Part number | Q'ty | Description | Key No. | Part number | Q'ty | Description |
|---------|----------------|------|---------------------|---------|-----------------|------|----------------------|
| 5-16 | 351 614-1453 0 | 1 | Bracket, f. Hndl. | 5-36 | 178 010-1453 0 | 1 | Control, throttle |
| 17 | 900 162-0502 0 | 5 | Bolt, H.S. 5x20 | 37 | 178 090-1233 0 | 1 | Lockout, t. Control |
| 18 | 163 400-1523 0 | 1 | Switch, ignition | 38 | 178 091-1053 1 | 1 | Spring, thr. Lockout |
| 19 | 129 010-0393 0 | 1 | Grommet | 39 | 351 111-1233 0 | 1 | Grip, rear handle |
| 20 | 129 023-1453 0 | 1 | Grommet | 40 | 351 137-1233 0 | 1 | Stopper, cushion |
| 21 | 100 918-1433 0 | 5 | Cap, cushion | 41 | 351 110-1453 0 | 1 | Handle, rear |
| 22 | 100 915-1433 2 | 5 | Screw | 66 | 351 205-1453 0 | 1 | Handle, front |
| 23 | 900 605-0000 5 | 5 | Washer, spring 5 | 65 | -351 617-1053 1 | 1 | Insert |
| 24 | 100 910-1253 0 | 3 | Cushion | 69 | 351 833-1373 0 | 1 | Plate, hand guard |
| 25 | 351 138-1433 2 | 1 | Cover, cushion | 70 | 900 162-0503 0 | 1 | Bolt, H.S. 5x30 |
| 26 | 178 810-1453 0 | 1 | Bushing | 71 | 351 840-1453 0 | 1 | Stopper |
| 27 | 178 521-1453 0 | 1 | Rod, choke | 72 | 351 826-1373 0 | 1 | Guard, hand |
| 28 | 100 917-1453 0 | 2 | Cushion | 73 | 100 612-1233 2 | 1 | Cover |
| 29 | 890 121-1233 1 | 1 | Label, choke | 87 | 351 123-1633 1 | 1 | Supporter, bottom |
| 30 | 178 043-1513 0 | 1 | Spring, thr. Return | 88 | 351 147-1633 0 | 1 | Insulator |
| 31 | 178 210-1453 0 | 1 | Grommet | 89 | 351 836-1513 0 | 1 | Spring, guard |
| 32 | 900 340-5002 5 | 1 | Pin, spring 5x25 | | | | |
| 33 | 900 340-4001 3 | 2 | Pin, spring 4x13 | | | | |
| 34 | 178 302-1233 0 | 1 | Latch, throttle | | | | |
| 35 | 178 011-1453 0 | 1 | Rod, throttle | | | | |

CS-440EVL 6



| Key No. | Part number | Q'ty | Description | Key No. | Part number | Q'ty | Description |
|---------|----------------|------|----------------------|---------|----------------|------|--------------------|
| 6- 70 | 175 310-1453 0 | 1 | Plate | 6-113 | 433 019-0393 2 | 2 | Nut, flange 6 |
| 71 | 175 000-1453 0 | 1 | Clutch ass'y | 114 | 890 118-1833 1 | 1 | Label, echo |
| 72 | 175 105-1463 0 | 1 | Drum, clutch | 116 | _____ | 1 | Bar, guide |
| 73 | 100 113-0463 0 | 1 | Bearing, needle | 117 | _____ | 1 | Chain, saw |
| 74 | 175 015-0343 0 | 1 | Washer, clutch | 118 | 433 030-1463 0 | 2 | Pin, dowel |
| 75 | 100 129-0343 0 | 1 | Nut 8 (L-H) | 119 | 900 241-0300 6 | 1 | Screw 3 x 6 |
| 76 | 900 242-0501 6 | 2 | Screw 5 x 16 | 120 | 895 610-0013 0 | 1 | L-Wrench (4mm) |
| 109 | 433 013-1453 0 | 1 | Plate, guide (Inner) | 121 | 895 812-0393 0 | 1 | Driver, screw 50 |
| 110 | 433 012-1453 1 | 1 | Plate, guide (Outer) | 122 | 895 410-0393 0 | 1 | Wrench, w's Driver |
| 111 | 433 010-1463 2 | 1 | Guard, sprocket | | | | |

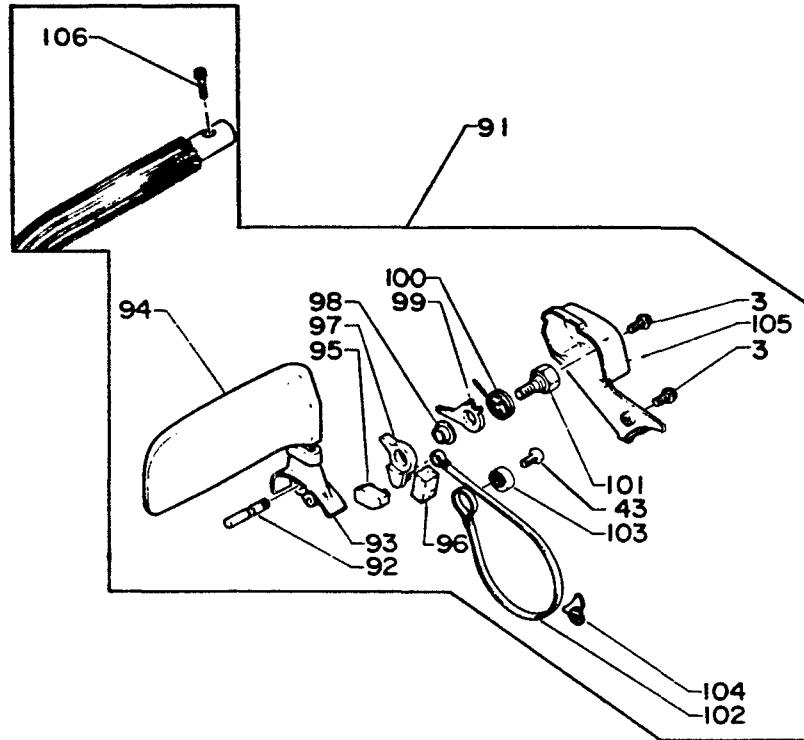
CS-440EVL 7



| Key No. | Part number | Q'ty | Description | Key No. | Part number | Q'ty | Description |
|---------|-----------------|------|----------------------|---------|-----------------|------|----------------------|
| 7- | 123 000-1633 0 | 1 | Carburetor (WA-133) | 7-15 | -123 120-1453 0 | 1 | Needle, high speed |
| 1 | -123 144-0393 0 | 1 | Screw | 16 | -123 121-0393 0 | 1 | Spring, needle |
| 2 | -123 142-0393 0 | 1 | Cover, m Diaphragm | 17 | -123 118-1633 0 | 1 | Needle, idle |
| 3 | -123 141-0393 0 | 1 | Diaphragm, metering | 18 | -123 127-0393 0 | 1 | Clip, throttle shaft |
| 4 | -123 140-0393 0 | 1 | Gasket, m. Diaphragm | 19 | -123 117-1453 0 | 1 | Shaft, throttle |
| 5 | -123 145-1633 0 | 1 | Plug, welch | 20 | -123 113-0393 0 | 1 | Sppng, thrt. Return |
| 6 | -123 169-1063 0 | 1 | Ring, retaining | 21 | -123 116-1053 0 | 1 | Valve, throttle |
| 7 | -123 168-1063 1 | 1 | Screen | 22 | -123 114-0393 0 | 1 | Screw, thrt. Valve |
| 8 | -123 146-1063 0 | 1 | Plug, weich | 23 | -123 126-1063 1 | 1 | Screen, inlet |
| 9 | -123 123-0393 0 | 1 | Lever, metering | 24 | -123 112-1503 0 | 1 | Diaphragm, fuel pump |
| 10 | -123 138-0393 0 | 1 | Pin, metering lever | 25 | -123 125-1503 0 | 1 | Gasket, fuel pump |
| 11 | -123 139-0393 0 | 1 | Screw, m. Lever pin | 26 | -123 124-1633 0 | 1 | Cover, fuel pump |
| 12 | -123 122-1113 0 | 1 | Spring, meter. Lever | 27 | -123 110-0393 0 | 1 | Screw, pump cover |
| 13 | -123 137-0393 0 | 1 | Valve, inlet needle | 28 | -123 134-1113 0 | 1 | Screw, idle adjust |
| 14 | -123 119-0393 0 | 1 | Spring, needle | 29 | -123 133-1113 0 | 1 | Spring, idle adjust |

| Part Number | Description | Key No. |
|----------------|-----------------------|-------------------|
| 123 103-1503 0 | Kit, gasket/diaphragm | 3. 4. 24. 25 |
| 123 102-1633 0 | Kit, kwik repair | 3. 4. 9~13. 22~25 |

CS-440EVLP (Chain brake type)



| Key No. | Part number | Q'ty | Description | Key No. | Part number | Q'ty | Description |
|---------|-----------------|------|--------------------|---------|-----------------|------|-------------------|
| 91 | 433 100-1453 0 | 1 | Brake ass'y, chain | 99 | -433 119-1233 0 | 1 | Stopper |
| 3 | -900 242-0401 2 | 2 | Screw 4 x 12 | 100 | -433 114-1233 0 | 1 | Spring, return |
| 43 | -900 241-0501 0 | 1 | Screw 5 x 10 | 101 | -433 134-1233 0 | 1 | Bolt |
| 92 | -433 113-1233 0 | 1 | Screw | 102 | -433 123-1463 0 | 1 | Band, brake |
| 93 | -433 312-1233 0 | 1 | Cover, seal | 103 | -433 142-1233 0 | 1 | Adjuster |
| 94 | -433 105-1453 0 | 1 | Lever, brake | 104 | -433 144-1433 0 | 1 | Retainer |
| 95 | -433 149-1463 0 | 1 | Reset, brake | 105 | -433 310-1463 0 | 1 | Cover |
| 96 | -433 313-1233 0 | 1 | Seal | 106 | -900 162-0502 5 | 1 | Bolt, H.S. 5 x 25 |
| 97 | -433 117-1233 0 | 1 | Connector | | | | |
| 98 | -433 115-1233 0 | 1 | Spacer | | | | |