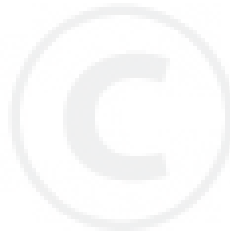




PARTS CATALOG

CHAIN SAW

CS-500ES

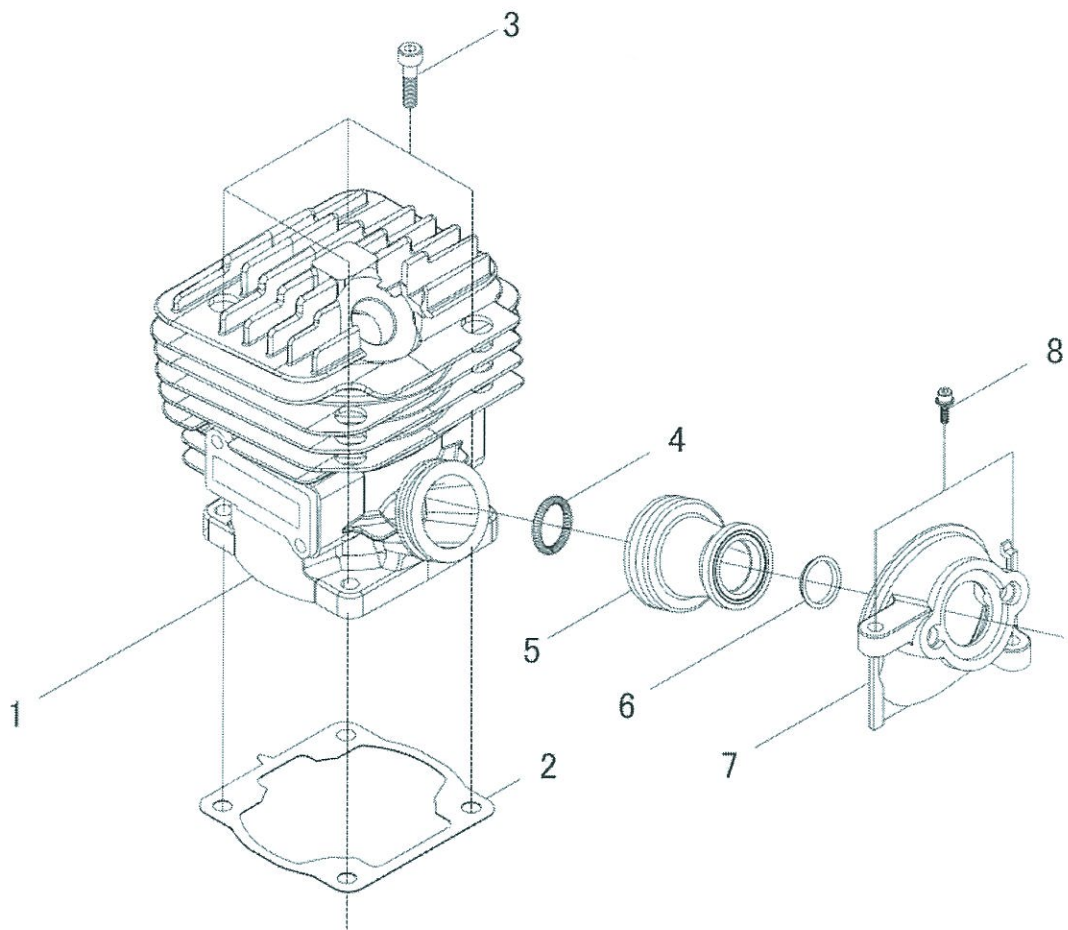


CE

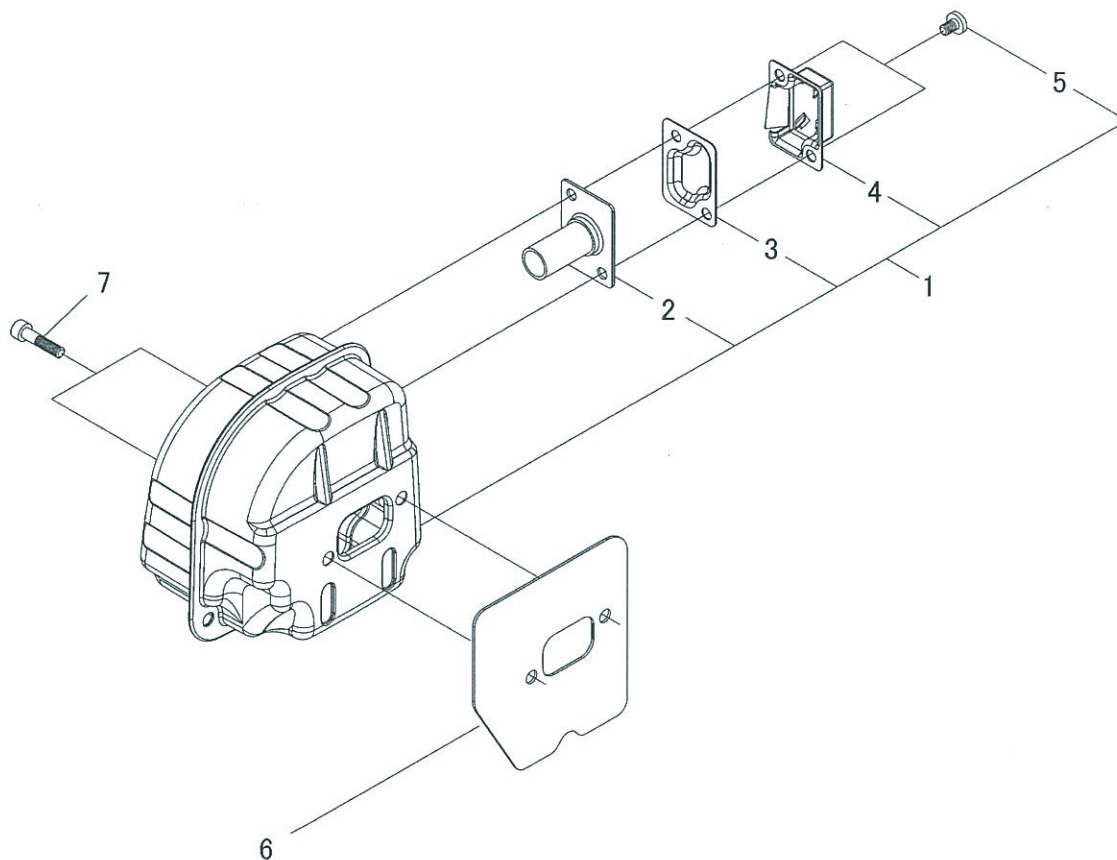
P014-001300-11Db

CS-500ES

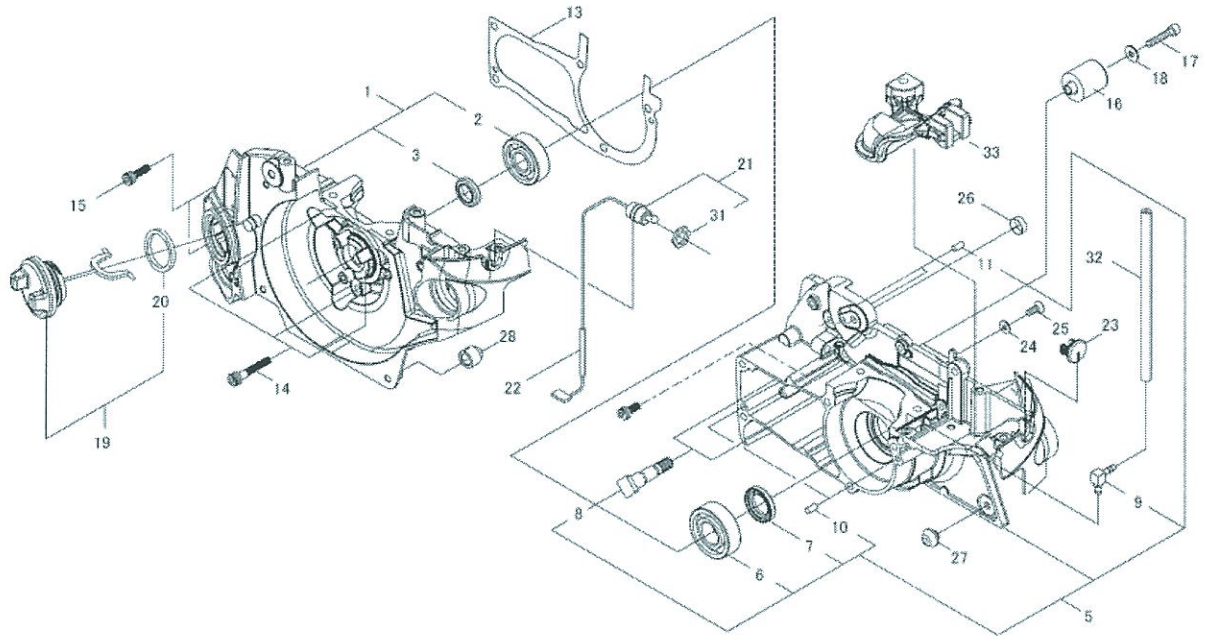
1 Cylinder



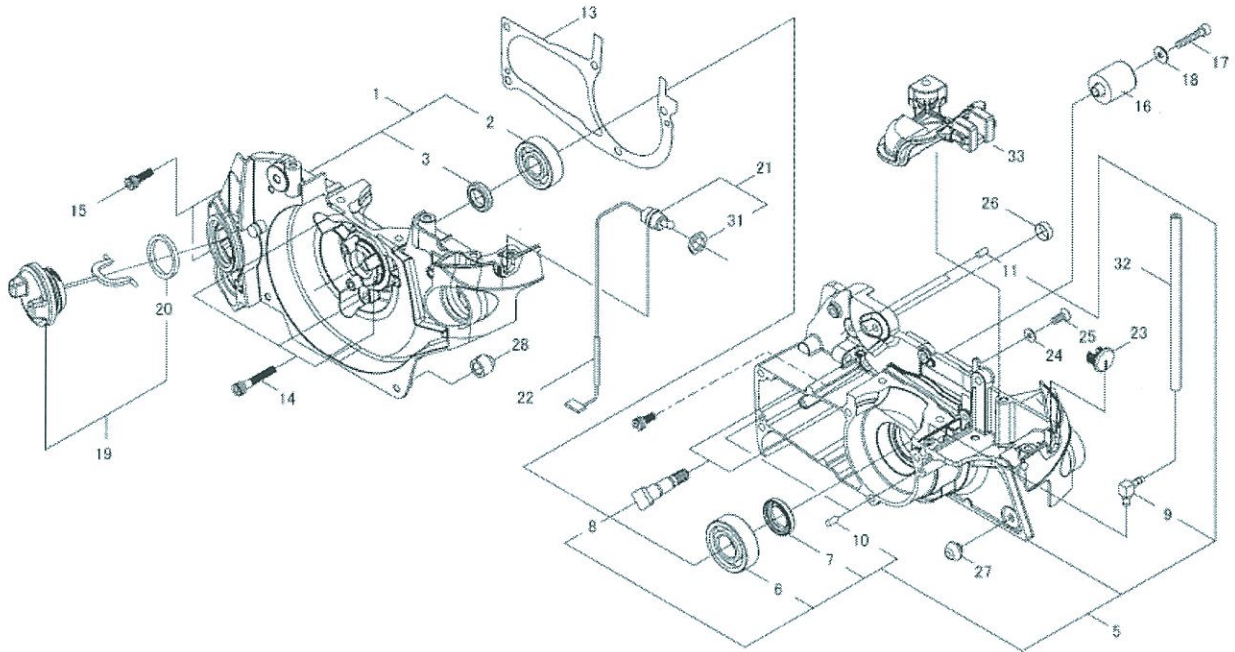
KEY	LV	PART NUMBER	Q'TY	DESCRIPTION	REMARKS
1		P021-038240	1	CYLINDER	
2		V100-000620	1	GASKET,CYL	
3		V203-001540	4	BOLT,ADHESIVE	
4		V451-000920	1	SPRING	
5		A202-000150	1	BOOT	
6		V359-000200	1	COLLAR	
7		A200-000852	1	INSULATOR, INTAKE	
8		V202-000200	2	BOLT	



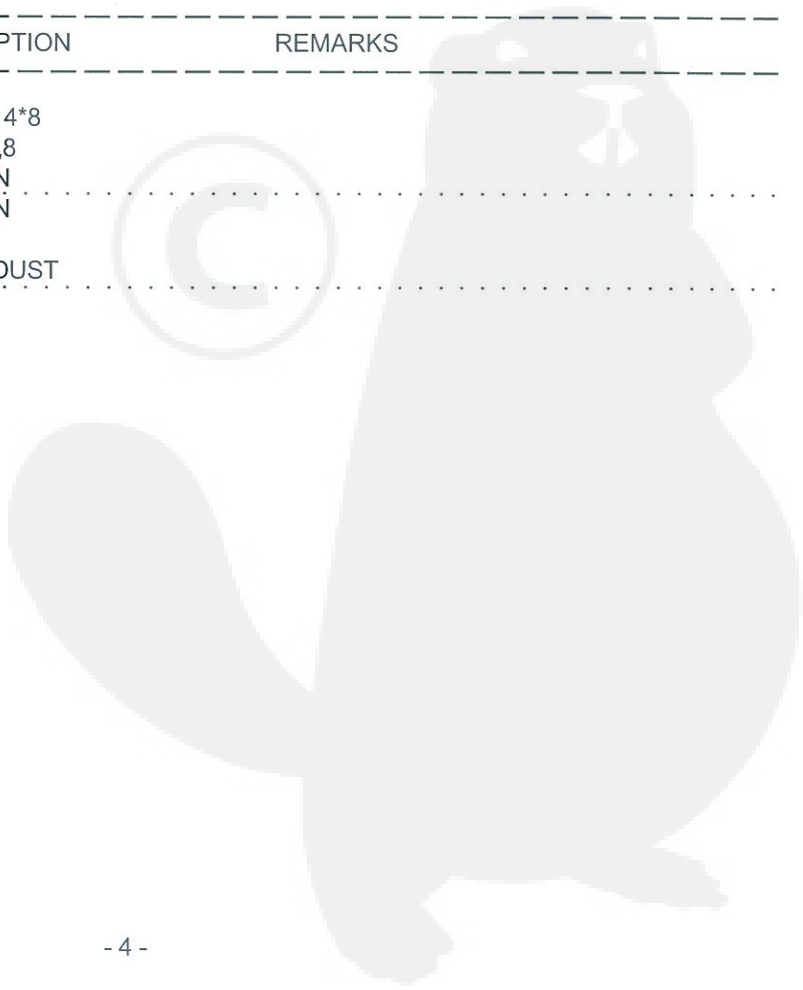
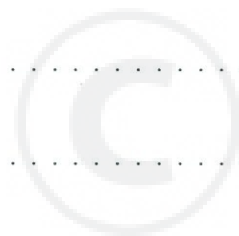
KEY	LV	PART NUMBER	Q'TY	DESCRIPTION	REMARKS
1		A030-000780	1	MUFFLER ASY	
2	+	A313-001481	1	GUIDE, EXHAUST	
3	+	A310-000300	1	SCREEN	
4	+	A313-001680	1	GUIDE, EXHAUST	
5	+	91578-04006	2	SCREW	
6		V104-001780	1	GASKET, EXHAUST	
7		V203-001540	4	BOLT, ADHESIVE	

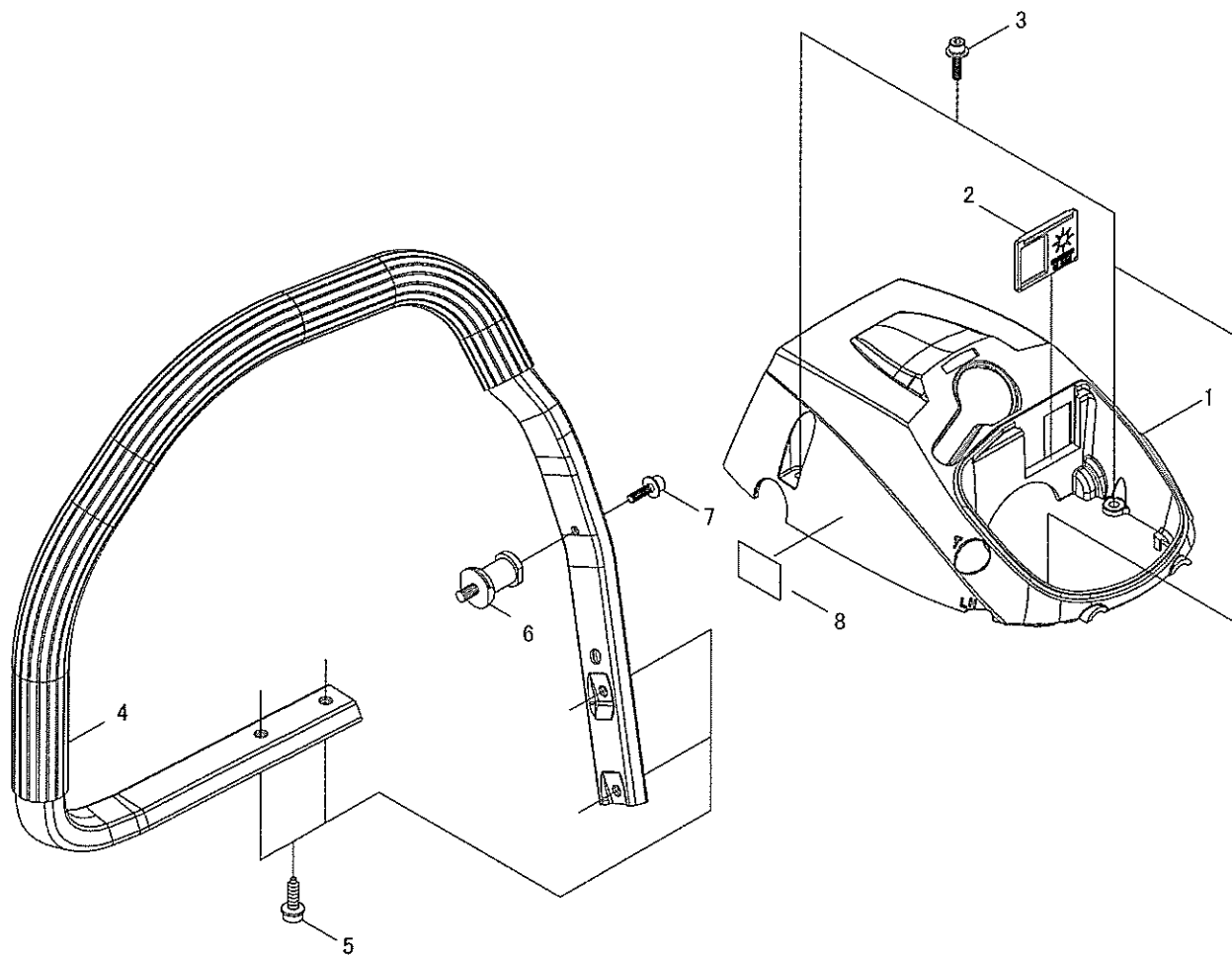


KEY	LV	PART NUMBER	Q'TY	DESCRIPTION	REMARKS
1		P021-036150	1	CRANKCASE,M-C	
2	+	V592-000330	1	BEARING, BALL	
3	+	V505-000070	1	OIL SEAL	
5		P021-036160	1	CRANKCASE,C-C	
6	+	V592-000290	1	BEARING, BALL	
7	+	V508-000070	1	OIL SEAL	
8	+	V225-000150	2	BOLT,STUD	
9	+	437239-14730	1	NIPPLE	
10	+	100215-03930	2	PIN, DOWEL	
11	+	V629-000000	2	ROLLER	
13		V102-000220	1	GASKET,CRANKCASE	
14		V203-001450	3	BOLT	
15		V203-001540	2	BOLT,ADHESIVE	
16		C310-000110	1	CATCHER, CHAIN	
17		900105-05030	1	BOLT, H.S. 5*30	
18		900600-00005	1	WASHER 5	
19		P021-037410	1	OIL CAP ASY	
20	+	V107-000090	1	GASKET,FUEL CAP	
21		P021-034590	1	SWITCH,ON OFF	
31	+	V266-000090	1	NUT,10	
22		V485-002030	1	LEAD	
23		V141-000100	1	PLUG	
24		900603-00004	1	WASHER 4	

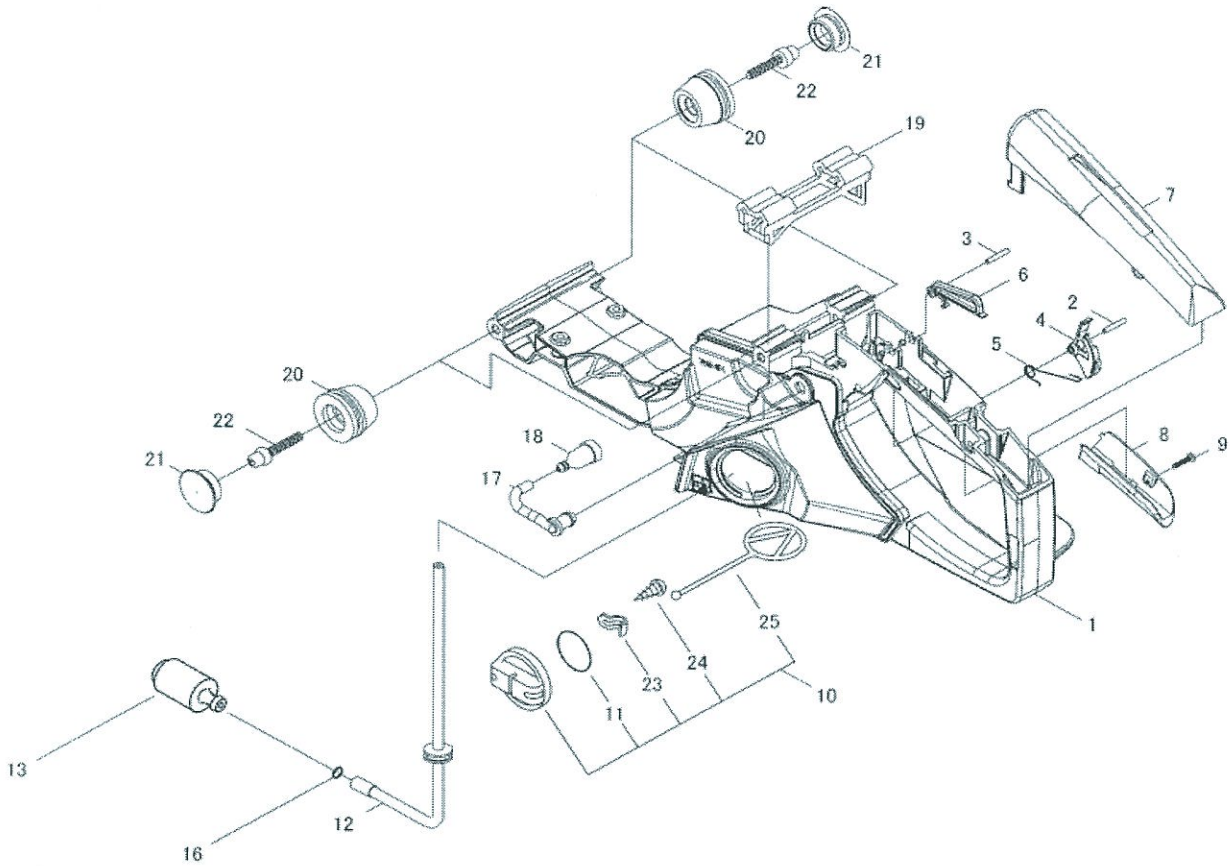


KEY	LV	PART NUMBER	Q'TY	DESCRIPTION	REMARKS
25		900212-04008	1	SCREW 4*8	
26		V355-000460	1	COLLAR,8	
27		V420-002770	1	CUSHION	
28		V420-002780	1	CUSHION	
32		V471-002800	1	PIPE	
33		A127-000361	1	COVER,DUST	

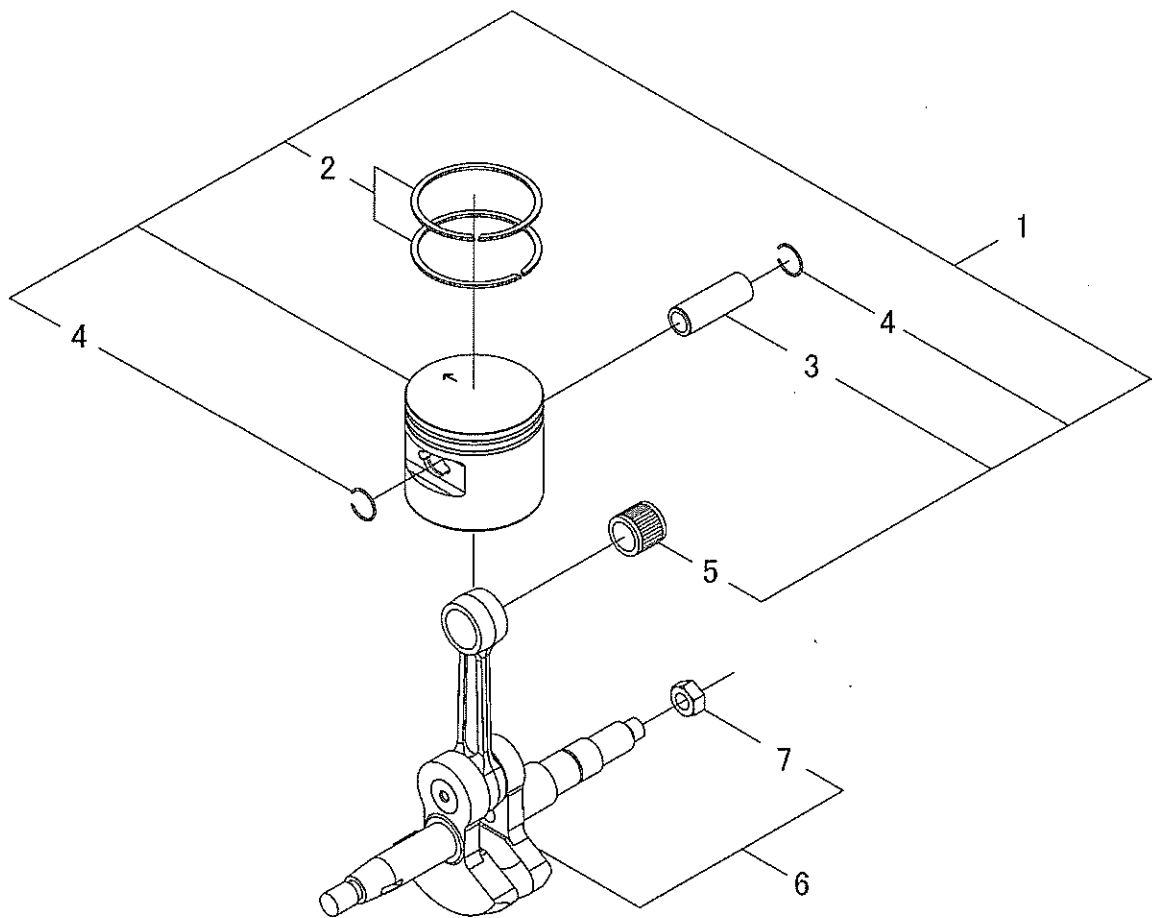




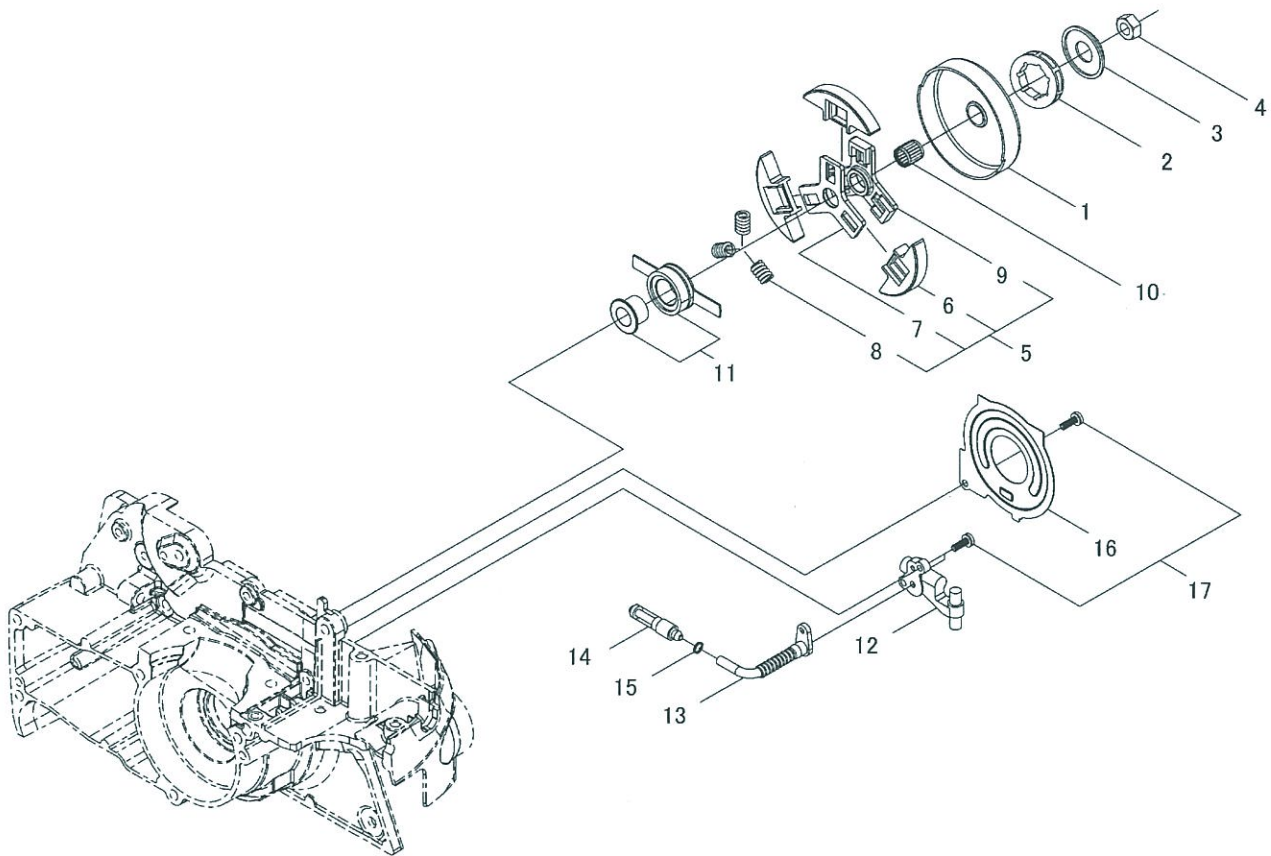
KEY	LV	PART NUMBER	Q'TY	DESCRIPTION	REMARKS
1		A160-002380	1	COVER,CYLINDER	
2		A219-000040	1	SHUTTER,AIR	
3		V202-000200	3	BOLT	
4		C040-000710	1	HANDLE,FRONT	
5		V203-001490	4	BOLT TAPPING	
6		V401-000330	1	CUSHION	
7		V202-000520	1	BOLT,4	
8		890345-39230	1	LABEL,CAUTION	



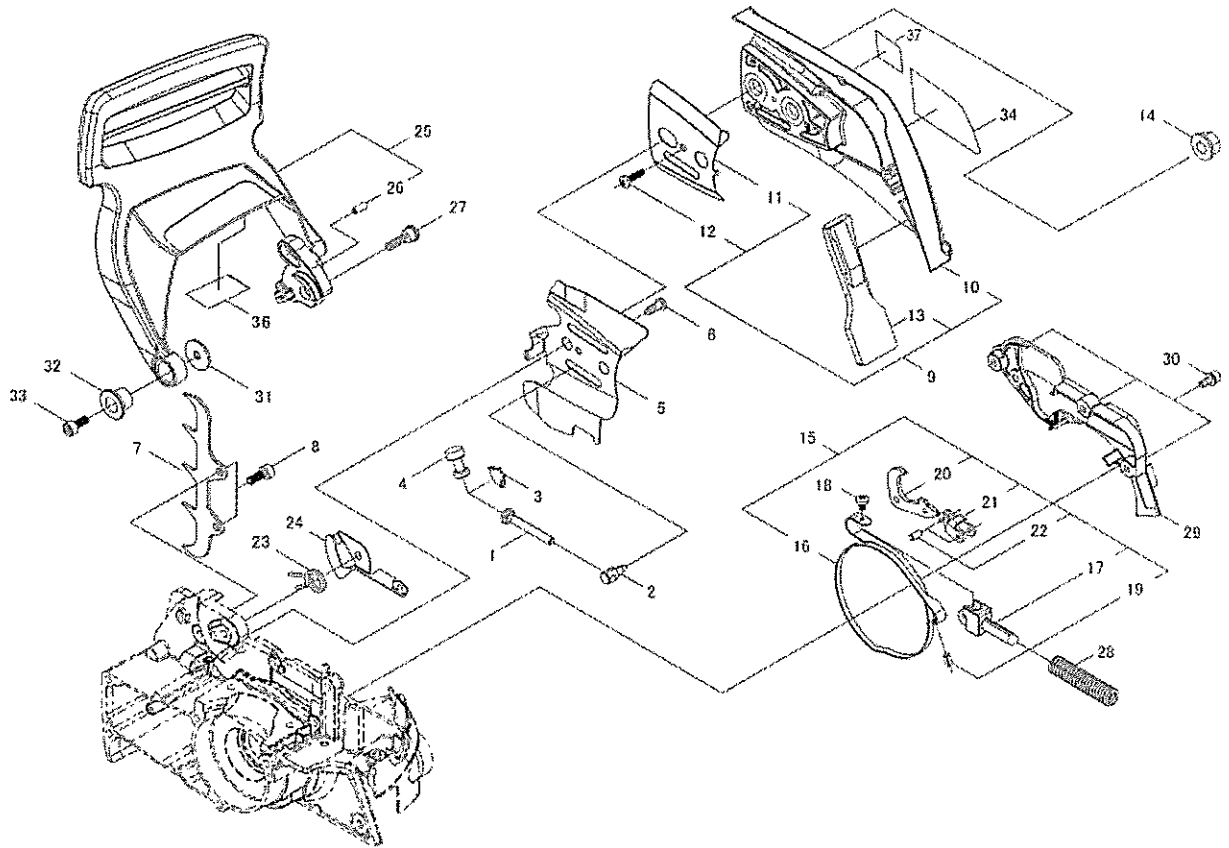
KEY	LV	PART NUMBER	Q'TY	DESCRIPTION	REMARKS
1		C041-000581	1	HANDLE,ASM REAR	
2		93060-40250	1	PIN, SPRING	
3		93042-40220	1	PIN, SPRING	
4		C450-000640	1	TRIGGER, THROTTLE	
5		V452-000850	1	SPRING, TORSION	
6		C460-000390	1	LOCKOUT, THROTTLE	
7		C411-000170	1	LID, HANDLE	
8		C403-000530	1	GRIP	
9		91449-04022	1	SCREW TAPPING	
10		P021-037420	1	CAP ASY, FUEL	
23	+	131050-19830	1	RETAINER, LINK	
24	+	900246-03008	1	SCREW 3*8	
25	+	131051-19830	1	LINK	
11	+	900720-20029	1	O-RING 29	
12		V470-001520	1	PIPE	
13		131205-19831	1	STRAINER, FUEL	
16		V490-000500	1	CLIP	
17		V470-001530	1	PIPE	
18		A356-000050	1	VALVE, VHECK	
19		V420-002810	1	STOPPER	
20		V401-000340	4	CUSHION	
21		V421-000070	4	CAP, CUSHION	
22		V203-001480	4	BOLT	



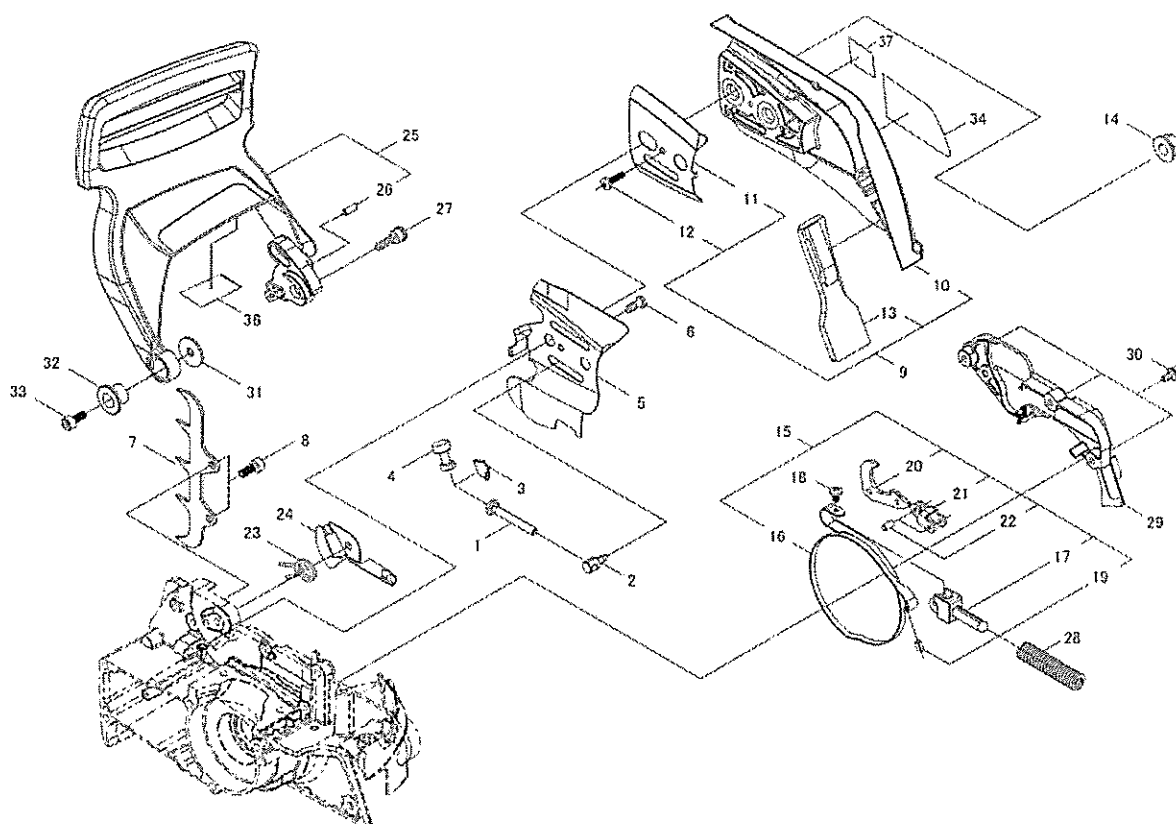
KEY	LV	PART NUMBER	Q'TY	DESCRIPTION	REMARKS
1		P021-036170	1	PISTON KIT	
2	+	A101-000540	2	PISTON RING	
3	+	V609-000050	1	PISTON PIN	
4	+	100015-32330	2	CIRCLIP, PISTON PIN	
5	+	V556-000040	1	BEARING, NEEDLE 11	
6		P021-036180	1	CRANK SHAFT	
7	+	V471-003150	1	PIPE	



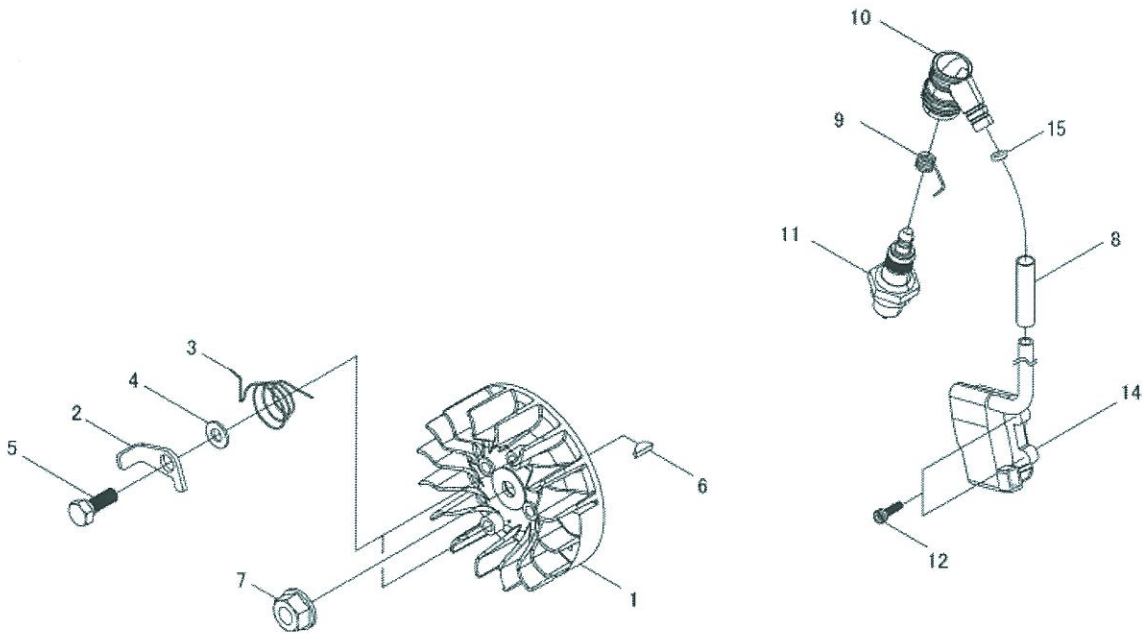
KEY	LV	PART NUMBER	Q'TY	DESCRIPTION	REMARKS
1		A556-001121	1	DRUM, CLUTCH	
2		A560-000010	1	RIM	
3		V307-000450	1	WASHER, CIRCULAR 10	
4		V265-000211	1	NUT, 8	
5		A056-000610	1	ASM, CLUCH	
6	+	A555-000210	3	SHOE, CLUTCH	
7	+	A552-000230	1	HUB, CLUTCH	
8	+	V451-000930	3	SPRING	
9	+	A552-000240	1	HUB, CLUTCH	
10		V555-000150	1	BEARING, NEEDLE	
11		P021-023110	1	GEAR	
12		C022-000121	1	AUTO-OILER ASSEMBLY	
13		V470-001840	1	PIPE	
14		C209-000070	1	STRAINER, OIL	
15		V490-000500	1	CLIP	
16		C236-000060	1	COVER, OILER	
17		V202-000520	3	BOLT, 4	



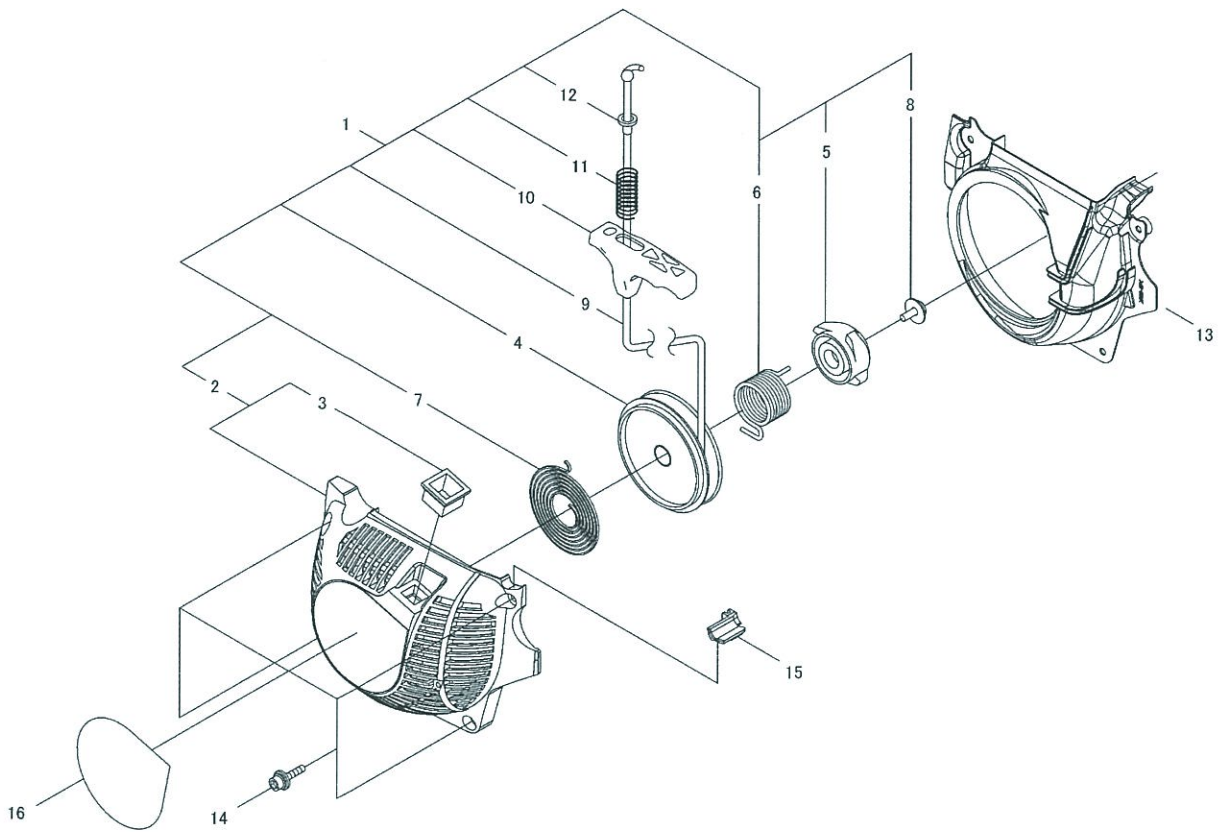
KEY	LV	PART NUMBER	Q'TY	DESCRIPTION	REMARKS
1		V253-000610	1	SCREW	
2		C309-000110	1	TENSIONER,CHAIN	
3		V152-002430	1	GUIDE	
4		V651-000790	1	GEAR,BEVEL	
5		C305-000411	1	PLATE,SPROCKET GUARD	
6		V252-000470	1	SCREW,4	
7		C304-000200	1	SPIKED	
8		900105-05012	2	BOLT, H.S. 5*12	
9		P021-036190	1	CLUTCH COVER ASSY	
10	+	C300-000780	1	GUARD,SPROCKET	
11	+	C305-000260	1	PLATE,SPROCKET GUARD	
12	+	91374-04006	1	SCREW TAPPING	
13	+	C302-000030	1	PROTECTOR	
14		V265-000200	2	NUT	
15		C328-000210	1	BAND,BRAKE	
16	+	C328-000220	1	BAND,BRAKE	
17	+	C334-000180	1	CONNECTOR,BRAKE	
18	+	91381-04010	1	SCREW TAPPING	
19	+	93042-40100	1	PIN, SPRING	
20	+	C334-000190	1	CONNECTOR, BRAKE	
21	+	C334-000200	1	CONNECTOR,BRAKE	
22	+	V629-000010	2	ROLLER	
23		V452-000860	1	SPRING,TORSION	
24		C347-000010	1	PLATE,BRAKE SEAL	
25		C320-000312	1	LEVER, BRAKE	
26	+	100215-03930	1	PIN, DOWEL	



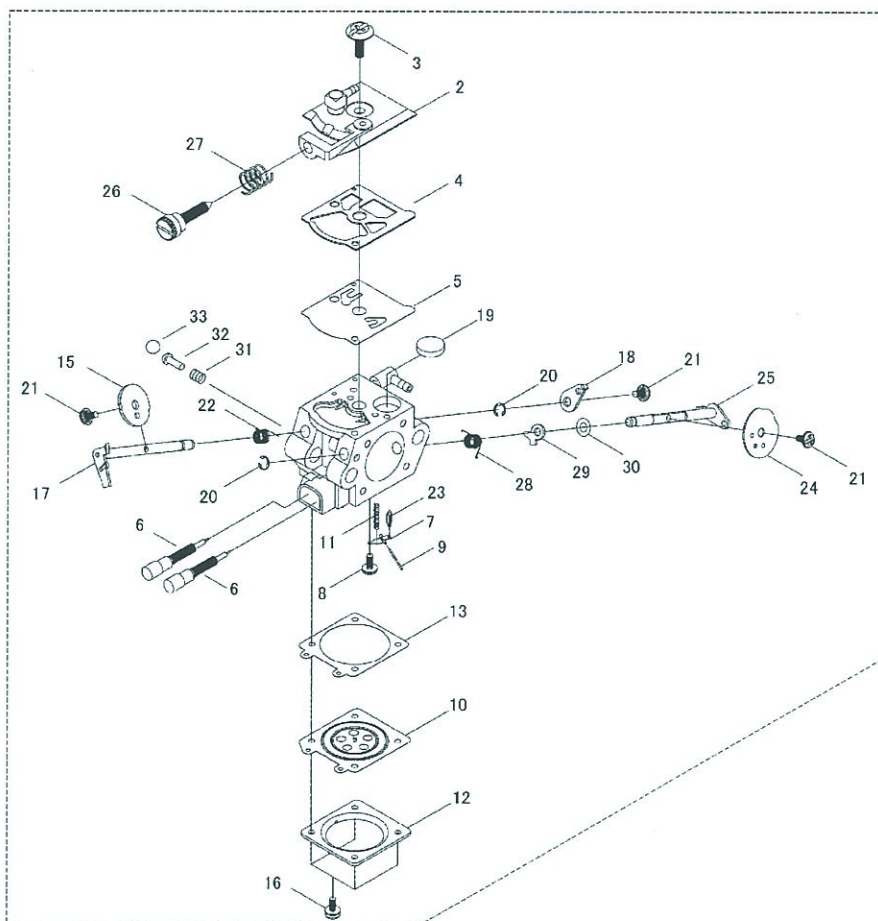
KEY	LV	PART NUMBER	Q'TY	DESCRIPTION	REMARKS
27		V203-001470	1	BOLT,ADHESIVE	
28		V450-001160	1	SPRING,COIL	
29		C345-000430	1	ROD,THROTTLE	
30		V202-000490	3	BOLT	
31		V303-000320	1	WASHER,CIRCULAR 5	
32		J211-000430	1	BUSH	
33		V203-001410	1	BOLT ADHESIVE	
34		X502-000770	1	LABEL,ECHO	
36		V341-000130	1	WASHER,SQUARE	
37		890316-39130	1	LABEL, CAUTION	



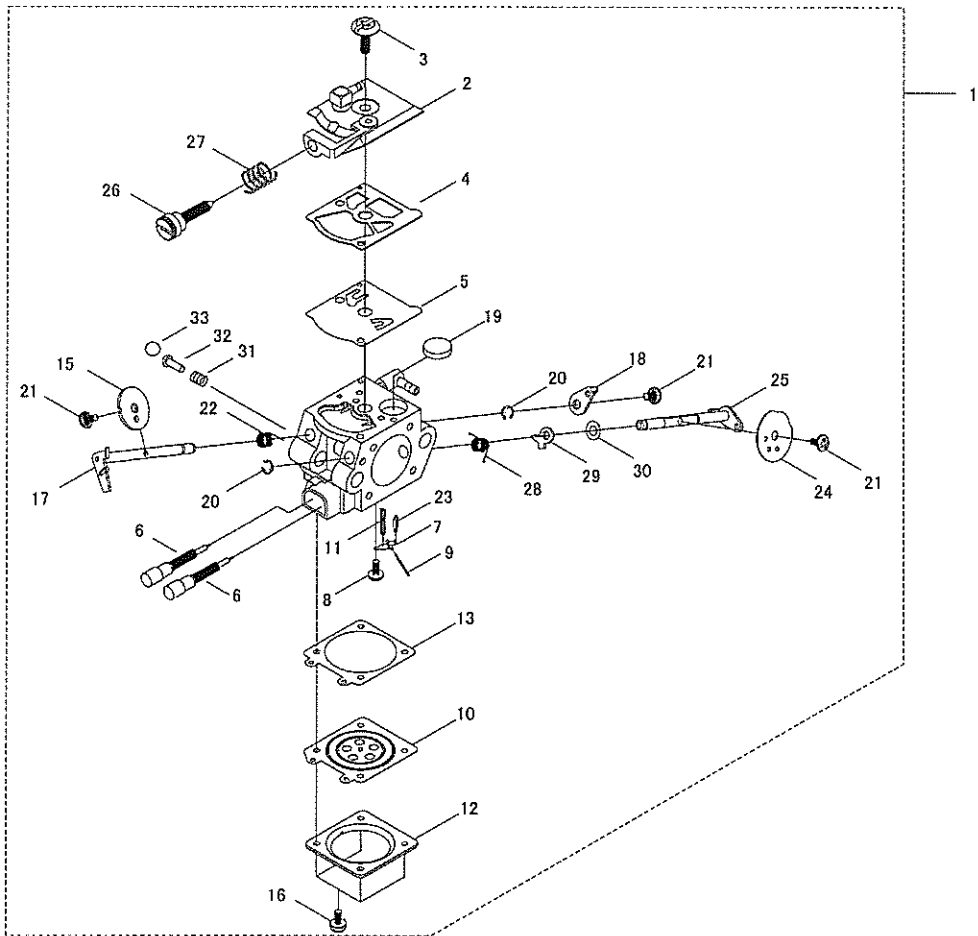
KEY	LV	PART NUMBER	Q'TY	DESCRIPTION	REMARKS
1		A409-000901	1	ROTOR, MAGNETO	
2		A514-000220	2	PAWL	
3		V452-000870	2	SPRING, TORSION	
4		V304-000270	2	WASHER, CIRCULAR 6	
5		V204-000620	2	BOLT	
6		93115-03010	1	KEY	
7		V265-000220	1	NUT	
8		V475-005180	1	TUBE	
9		A426-000040	1	TERMINAL, SPARKPLUG	
10		A427-000160	1	PLUG CAP	
11		A425-000000	1	SPARKPLUG	
12		V202-000540	2	BOLT, 4	
14		P021-036741	1	COIL, IGNITION	
15		900720-20007	1	O-RING 7	



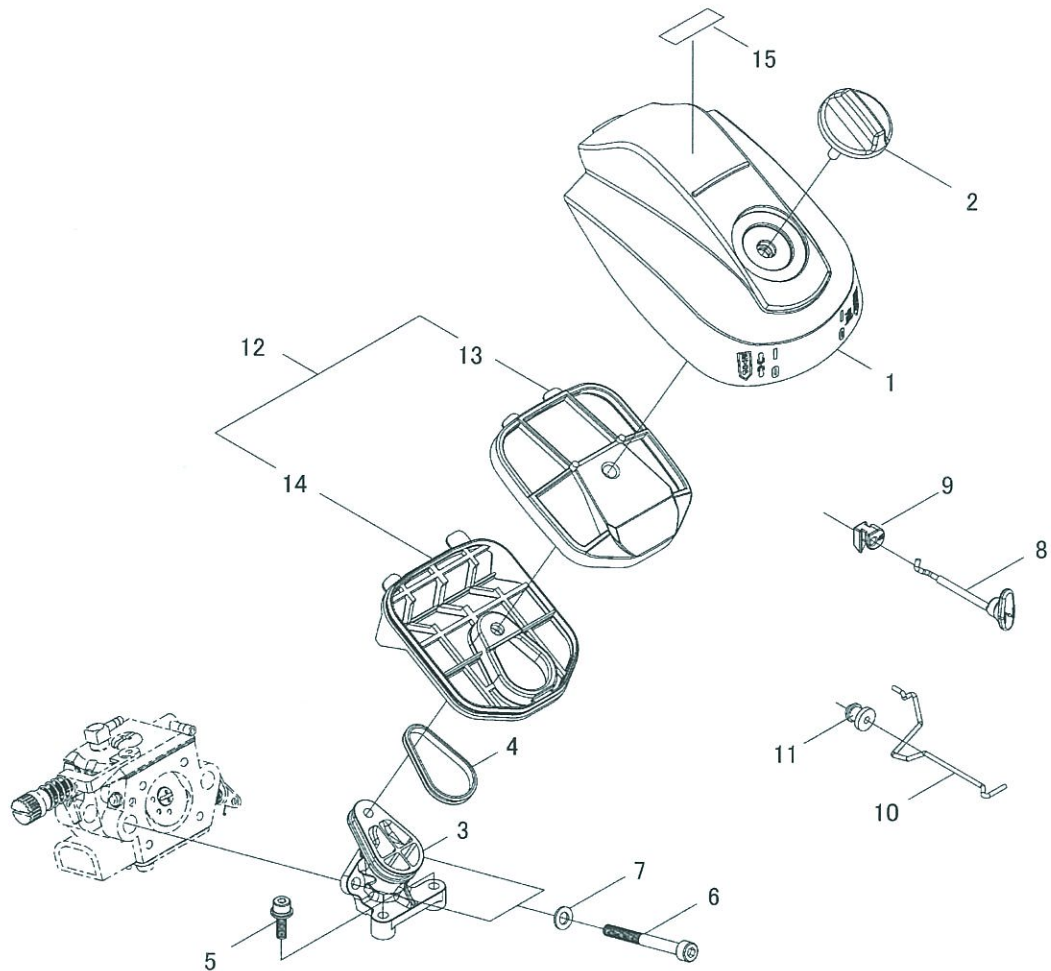
KEY	LV	PART NUMBER	Q'TY	DESCRIPTION	REMARKS
1		A051-002270	1	STARTER,RECOIL	
2	+	A500-001320	1	CASE,STARTER	
3	++	A510-000130	1	GUIDE,ROPE	
4	+	A506-000390	1	REEL	
5	+	A507-000080	1	CATCHER, PAWL	
6	+	V452-000880	1	SPRING,TORSION	
7	+	A504-000220	1	SPRING,RECOIL	
8	+	V253-000640	1	SCREW	
9	+	A509-000380	1	ROPE	
10	+	A511-000230	1	NOB	
11	+	V450-001170	1	SPRING,COMPRESSION	
12	+	V376-001400	1	SPACER	
13		A172-001870	1	COVER,FAN	
14		V202-000200	4	BOLT	
15		V131-000190	1	GROMMET,NEEDLE	
16		X502-000760	1	LABEL,ECHO	



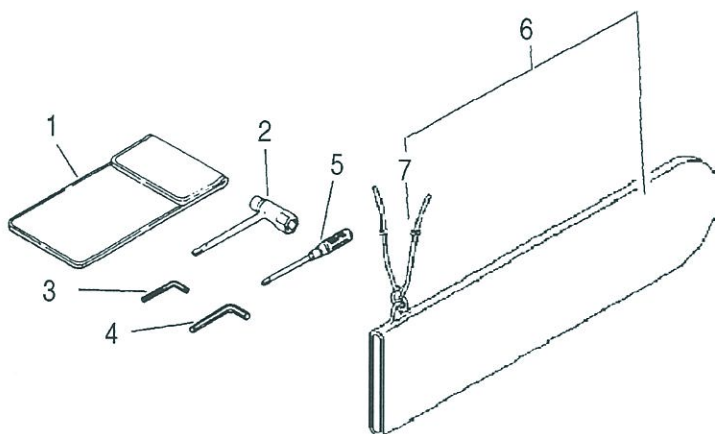
KEY	LV	PART NUMBER	Q'TY	DESCRIPTION	REMARKS
1		A021-003560	1	CARBURETOR,DIAPHRAGM	
2	+	P003-003360	1	COVER, PUMP	
3	+	123110-03930	1	SCREW, PUMP COVER	
4	+	123125-15030	1	GASKET, FUEL PUMP	
5	+	123112-15030	1	DIAPHRAGM, FUEL PUMP	
6	+	P003-004460	2	NEEDLE	
7	+	123123-03930	1	LEVER, METERING	
8	+	123139-03930	1	SCREW, M. LEVER PIN	
9	+	123138-03930	1	PIN, METERING LEVER	
10	+	P003-001850	1	DIAPHRAGM, METERING	
11	+	123122-39330	1	SPRING, METER. LEVER	
12	+	123142-03930	1	COVER, M. DIAPHRAGM	
13	+	123140-03930	1	GASKET, M. DIAPHRAGM	
15	+	P003-003240	1	VALVE	
16	+	123130-02960	4	SCREW	
17	+	P003-004800	1	SHAFT	
18	+	P003-003180	1	THROTTLE LEVER	
19	+	123126-10631	1	SCREEN, INLET	
20	+	123127-15030	2	RING	
21	+	123114-38830	3	SCREW	
22	+	123113-37530	1	SPRING, THROTTLE RTN	
23	+	123137-19830	1	VALVE, INLET NEEDLE	
24	+	P003-001960	1	VALVE, CHOKE	
25	+	P003-003190	1	SHAFT	
26	+	P003-003650	1	IDEL SCREW	
27	+	123133-04260	1	SPRING, IDLE ADJUST	



KEY	LV	PART NUMBER	Q'TY	DESCRIPTION	REMARKS
28	+	P003-002260	1	SPRING	
29	+	P003-001510	1	LEVER-FAST IDLE	
30	+	123149-26030	1	WASHER	
31	+	123186-09660	1	SPRING, START VALVE	
32	+	123185-09660	1	PISTON ASSY	
33	+	123136-09660	1	BALL	



KEY	LV	PART NUMBER	Q'TY	DESCRIPTION	REMARKS
1		A232-001510	1	COVER,CLEANER	
2		A235-000270	1	KNOB,CLEANER LID	
3		A204-000220	1	ELBOW, CARBURETOR	
4		V581-000280	1	GASKET	
5		V202-000200	2	BOLT	
6		91100-05048	2	BOLT	
7		900600-00005	2	WASHER 5	
8		A240-000111	1	ROD, CHOKE	
9		V130-000131	1	GROMMET,CHOKE	
10		C454-000280	1	ROD,THROTTLE	
11		V133-000040	1	GROMMET	
12		A226-001090	1	AIR CLEANER ASSY	
13	+	A226-001100	1	AIR CLEANER UPPER	
14	+	A226-001110	1	AIR CLEANER LOWER	
15		X503-010910	1	LABEL,MODEL	



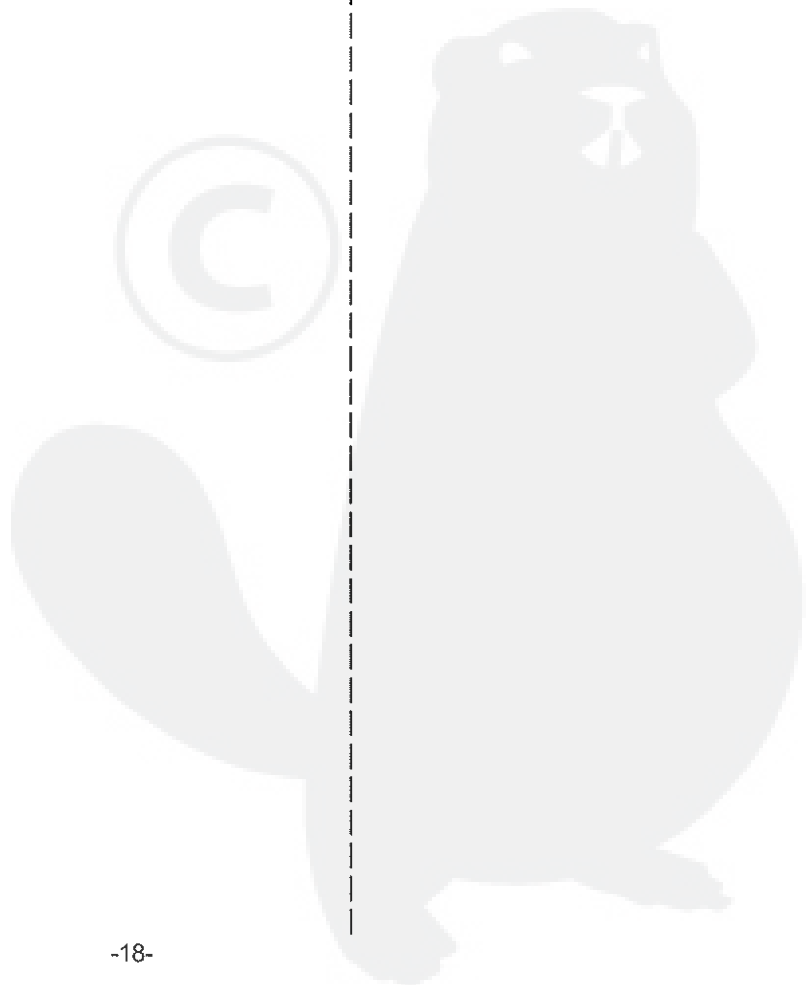
KEY	LV	PART NUMBER	Q'TY	DESCRIPTION	REMARKS
1		898510-39130	1	BAG, TOOL	
2		X602-000080	1	TOOL, WRENCH	
3		X605-000090	1	HEXA WRENCH 4MM	
4		X605-000100	1	TOOL, L WRENCH	
5		895812-03930	1	DRIVER, SCREW 50	
6		P021-014290	1	SCABBARD, CHAIN	
7	+	898568-14530	1	ROPE	

Index

Parts Number	Key No.	Parts Number	Key No.	Parts Number	Key No.
100015-32330	6 - 4	93060-40250	5 - 2	C304-000200	8 - 7
100215-03930	3 - 10	93115-03010	9 - 6	C305-000260	8 - 11
100215-03930	8 - 26	A021-003560	11 - 1	C305-000411	8 - 5
123110-03930	11 - 3	A030-000780	2 - 1	C309-000110	8 - 2
123112-15030	11 - 5	A051-002270	10 - 1	C310-000110	3 - 16
123113-37530	11 - 22	A056-000610	7 - 5	C320-000312	8 - 25
123114-38830	11 - 21	A101-000540	6 - 2	C328-000210	8 - 15
123122-39330	11 - 11	A127-000361	3 - 33	C328-000220	8 - 16
123123-03930	11 - 7	A130-001830	1 - 1	C334-000180	8 - 17
123125-15030	11 - 4	A160-002380	4 - 1	C334-000190	8 - 20
123126-10631	11 - 19	A172-001870	10 - 13	C334-000200	8 - 21
123127-15030	11 - 20	A200-000852	1 - 7	C345-000430	8 - 29
123130-02960	11 - 16	A202-000150	1 - 5	C347-000010	8 - 24
123133-04260	11 - 27	A204-000220	12 - 3	C403-000530	5 - 8
123136-09660	11 - 33	A219-000040	4 - 2	C411-000170	5 - 7
123137-19830	11 - 23	A226-001090	12 - 12	C450-000640	5 - 4
123138-03930	11 - 9	A226-001100	12 - 13	C454-000280	12 - 10
123139-03930	11 - 8	A226-001110	12 - 14	C460-000390	5 - 6
123140-03930	11 - 13	A232-001510	12 - 1	J211-000430	8 - 32
123142-03930	11 - 12	A235-000270	12 - 2	P003-001510	11 - 29
123149-26030	11 - 30	A240-000111	12 - 8	P003-001850	11 - 10
123185-09660	11 - 32	A310-000300	2 - 3	P003-001960	11 - 24
123186-09660	11 - 31	A313-001481	2 - 2	P003-002260	11 - 28
131050-19830	5 - 23	A313-001680	2 - 4	P003-003180	11 - 18
131051-19830	5 - 25	A356-000050	5 - 18	P003-003190	11 - 25
131205-19831	5 - 13	A409-000901	9 - 1	P003-003240	11 - 15
437239-14730	3 - 9	A425-000000	9 - 11	P003-003360	11 - 2
890191-30131	8 - 35	A426-000040	9 - 9	P003-003650	11 - 26
890316-39130	8 - 37	A427-000160	9 - 10	P003-004460	11 - 6
890345-39230	4 - 8	A500-001320	10 - 2	P003-004800	11 - 17
895812-03930	13 - 5	A504-000220	10 - 7	P021-014290	13 - 6
898510-39130	13 - 1	A506-000390	10 - 4	P021-023110	7 - 11
898568-14530	13 - 7	A507-000080	10 - 5	P021-034590	3 - 21
900105-05012	8 - 8	A509-000380	10 - 9	P021-036150	3 - 1
900105-05030	3 - 17	A510-000130	10 - 3	P021-036160	3 - 5
900212-04008	3 - 25	A511-000230	10 - 10	P021-036170	6 - 1
900246-03008	5 - 24	A514-000220	9 - 2	P021-036180	6 - 6
900600-00005	3 - 18	A552-000230	7 - 7	P021-036190	8 - 9
900600-00005	12 - 7	A552-000240	7 - 9	P021-036741	9 - 14
900603-00004	3 - 24	A555-000210	7 - 6	P021-037410	3 - 19
900720-20007	9 - 15	A556-001121	7 - 1	P021-037420	5 - 10
900720-20029	5 - 11	A560-000010	7 - 2	P021-038240	1 - 1
91100-05048	12 - 6	C022-000121	7 - 12	V100-000620	1 - 2
91374-04006	8 - 12	C040-000710	4 - 4	V102-000220	3 - 13
91381-04010	8 - 18	C041-000581	5 - 1	V104-001780	2 - 6
91449-04022	5 - 9	C209-000070	7 - 14	V107-000090	3 - 20
91578-04006	2 - 5	C236-000060	7 - 16	V130-000131	12 - 9
93042-40100	8 - 19	C300-000780	8 - 10	V131-000190	10 - 15
93042-40220	5 - 3	C302-000030	8 - 13	V133-000040	12 - 11

Index

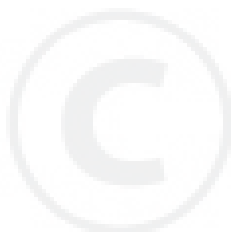
Parts Number	Key No.	Parts Number	Key No.	Parts Number	Key No.
V141-000100	3 - 23	V470-001520	5 - 12		
V152-002430	8 - 3	V470-001530	5 - 17		
V202-000200	1 - 8	V470-001840	7 - 13		
V202-000200	4 - 3	V471-002800	3 - 32		
V202-000200	10 - 14	V475-005180	9 - 8		
V202-000200	12 - 5	V485-002030	3 - 22		
V202-000490	8 - 30	V490-000500	5 - 16		
V202-000520	4 - 7	V490-000500	7 - 15		
V202-000520	7 - 17	V505-000070	3 - 3		
V202-000540	9 - 12	V508-000070	3 - 7		
V203-001410	8 - 33	V555-000150	7 - 10		
V203-001450	3 - 14	V556-000040	6 - 5		
V203-001470	8 - 27	V581-000280	12 - 4		
V203-001480	5 - 22	V592-000290	3 - 6		
V203-001490	4 - 5	V592-000330	3 - 2		
V203-001540	1 - 3	V609-000050	6 - 3		
V203-001540	2 - 7	V629-000000	3 - 11		
V203-001540	3 - 15	V629-000010	8 - 22		
V204-000620	9 - 5	V651-000790	8 - 4		
V225-000150	3 - 8	X502-000760	10 - 16		
V252-000470	8 - 6	X502-000770	8 - 34		
V253-000610	8 - 1	X503-010910	12 - 15		
V253-000640	10 - 8	X602-000080	13 - 2		
V265-000200	8 - 14	X605-000090	13 - 3		
V265-000211	7 - 4	X605-000100	13 - 4		
V265-000220	9 - 7				
V266-000090	3 - 31				
V303-000320	8 - 31				
V304-000270	9 - 4				
V307-000450	7 - 3				
V341-000130	8 - 36				
V355-000460	3 - 26				
V359-000200	1 - 6				
V376-001400	10 - 12				
V401-000330	4 - 6				
V401-000340	5 - 20				
V420-002770	3 - 27				
V420-002780	3 - 28				
V420-002810	5 - 19				
V421-000070	5 - 21				
V450-001160	8 - 28				
V450-001170	10 - 11				
V451-000920	1 - 4				
V451-000930	7 - 8				
V452-000850	5 - 5				
V452-000860	8 - 23				
V452-000870	9 - 3				
V452-000880	10 - 6				



YAMABIKO CORPORATION

7-2 SUEHIROCHO 1-CHOME, OHME, TOKYO 198-8760, JAPAN
PHONE: 81-428-32-6118. FAX: 81-428-32-6145.

ECHO®



11/01 03-229