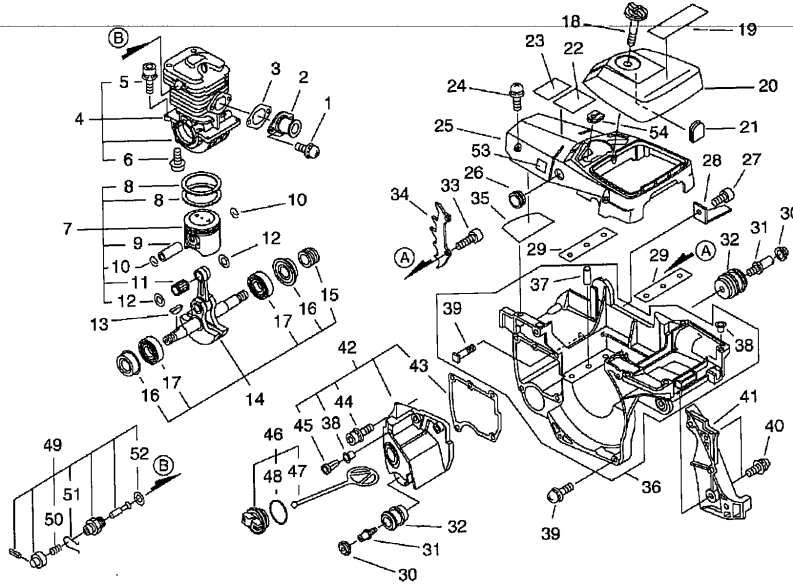


CS510 (36)

PartsList Master - -

Cylinder, Crankcase, Piston



Cylinder, Crankcase, Piston

Key	Lv	Part no.	Part description	Quantity
1		900238-05012	SCREW 5*12	2
2		130510-39932	ADAPTER, INTAKE	1
3		130016-39930	GASKET, INTAKE	1
4		P021-004082	CRANKCASE SET	1
5	+	V203-000170	BOLT,5	4
6	+	900106-05020	BOLT, H.S. 5*20	4
7		P021-001064	PISTON KIT	1
8	+	100011-39731	RING, PISTON	2
9	+	V609-000000	PIN,ENG 11	1
10	+	100015-32330	CIRCLIP, PISTON PIN	2
11	+	V556-000000	BEARING,NEEDLE 11	1
12	+	V308-000010	WASHER,CIRCULAR 11	2
13		100142-30830	KEY, WOODRUFF	1
14		P021-001072	CRANKSHAFT,ASSY	1
15	+	V652-000080	GEAR,WORM	1
16	+	V508-000000	SEAL,OIL 15	2
17	+	900810-36202	BEARING, BALL 6202	2
18		A235-000020	KNOB,CLEANER LID	1

CS510 (36)

PartsList Master - -

Page 2 of 3

19	X503-008310	LABEL,MODEL	1
20	A232-000023	LID,CLEANER	1
21	130338-32430	PLUG, COVER	1
22	X505-000180	LABEL,CAUTION	1
23	890345-39230	LABEL,CAUTION	1
24	163890-38330	BOLT, 5	3
25	A160-000102	COVER,CYLINDER	1
26	101578-38431	PLUG	1
27	900162-05014	BOLT, H.S. 5*14	1
28	C310-000000	CATCHER, CHAIN	1
29	V150-001740	PLATE,EYE	2
30	100918-38330	CAP, CUSHION	2
31	100915-33930	SCREW	2
32	100921-38330	CUSHION	2
33	900105-05012	BOLT, H.S. 5*12	2
34	C304-000030	SPIKED	1
35	101520-35430	COVER	1
36	P021-012470	COVER, ENGINE	1

CS510 (36)

PartsList Master - -

Page 3 of 3

Cylinder, Crankcase, Piston

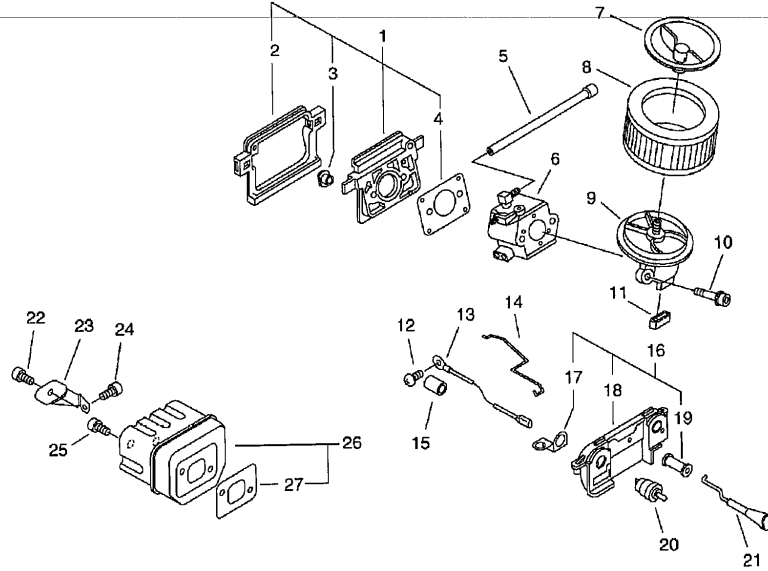
Key	Lv	Part no.	Part description	Quantity
37	+	100215-03930	PIN, DOWEL	2
38	+	436018-38330	PIN, DOWEL	2
39	+	433011-19830	STUD, GUIDE BAR	2
40		900238-05016	SCREW 5*16	3
41		C300-000321	GUARD, SPROCKET	1
42		P021-012550	TANK, OIL	1
38	+	436018-38330	PIN, DOWEL	1
43	+	436019-38330	GASKET, OIL TANK	1
44	+	900162-04016	BOLT, H.S. 4*16	3
45	+	436114-13930	VALVE, CHECK	1
46		P021-007630	CAP ASY, TANK	1
47	+	A365-000050	CONNECTOR, CAP	1
48	+	900721-00025	O-RING 25	1
49		101100-21360	RELEASE ASSY, COMP.	1
49		P021-015150	DECOMP, ASM	1
50	+	101113-37530	SPRING	1
51	+	101119-37530	CLIP	1
52	+	159025-37530	GASKET	1
53		X505-000000	LABEL, CAUTION	1
54		V135-000010	GROMMET, HT CORD	1

CS510 (36)

PartsList Master - -

Page 1 of 2

Air Cleaner, Carburettor, Muffler



Air Cleaner, Carburettor, Muffler

Key	Lv	Part no.	Part description	Quantity
1		130000-38331	INSULATOR ASY,INTAKE	1
2	+	V420-001130	CUSHION	1
3	+	130020-33330	NUT	2
4	+	130010-38330	GASKET, INTAKE	1
5		130110-38330	PIPE, IMPULSE	1
6		A021-001000	CARBURETOR,DIAPHRAGM	1
7		130405-38332	BRACKET, AIR CLEANER	1
8		130310-38331	FILTER, AIR	1
9		A204-000004	ELBOW,CARBURETOR	1
10		900162-05050	BOLT, H.S. 5*50	2
11		130430-38330	CUSHION	1
12		900220-04006	SCREW 4*6	1
13		162010-38332	LEAD, GROUND	1
14		C454-000150	ROD, THROTTLE	1
15		C483-000000	BOOT,CONNECTOR	1
16		163804-38935	BRACKET, SWITCH	1
17	+	163413-38930	PLATE, SWITCH	1
18	+	163810-38933	BRACKET, SWITCH	1

<https://plist.yamabiko-corp.co.jp/PartsList/PartsListExhibit/plmG0570.html?ASSYNO=C-...> 22-8-2011

CS510 (36)

PartsList Master - -

Page 2 of 2

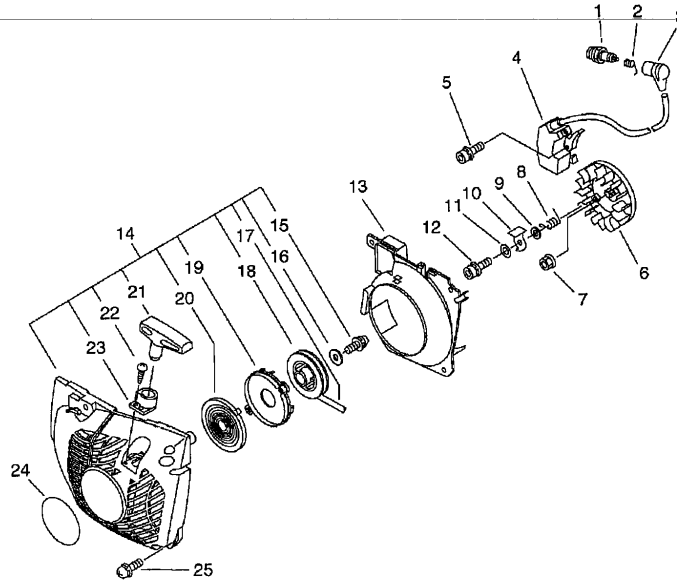
19	+	178810-14534	GROMMET	1
20		163400-38330	SWITCH, IGNITION	1
21		A241-000101	KNOB, CHOKE	1
22		91100-06008	BOLT	1
23		A319-000080	STAY, MUFFLER	1
24		900105-06014	BOLT, H.S. 6*14	1
25		900105-05014	BOLT, H.S. 5*14	2
26		P021-008610	MUFFLER ASY	1
27	+	145510-35431	GASKET, MUFFLER	1

CS510 (36)

PartsList Master - -

Page 1 of 2

Starter, Magneto



Starter, Magneto

Key	Lv	Part no.	Part description	Quantity
1		A425-000000	SPARKPLUG	1
2		A426-000010	TERMINAL,SPARKPLUG	1
3		A427-000013	CAP,SPARK PLUG	1
4		A411-000031	COIL,IGNITION	1
5		900162-04030	BOLT, H.S. 4*30	2
6		A409-000030	ROTOR,MAGNETO	1
7		900515-00008	NUT, FLANGE 8	1
8		177234-35430	SPRING, RETURN	2
9		900603-00005	WASHER 5	2
10		177218-19830	PAWL, STARTER	2
11		177247-04630	SPACER, RATCHET	2
12		V203-000090	BOLT,5	2
13		A172-000062	COVER,FAN	1
14		P021-013481	STARTER ASY	1
15	+	900238-05012	SCREW 5*12	1
16	+	177214-02830	WASHER	1
17	+	177226-19830	ROPE, STARTER	1
18	+	A506-000100	REEL, ROPE	1

<https://plist.yamabiko-corp.co.jp/PartsList/PartsListExhibit/plmG0570.html?ASSYNO=C-...> 22-8-2011

CS510 (36)

PartsList Master - -

Page 2 of 2

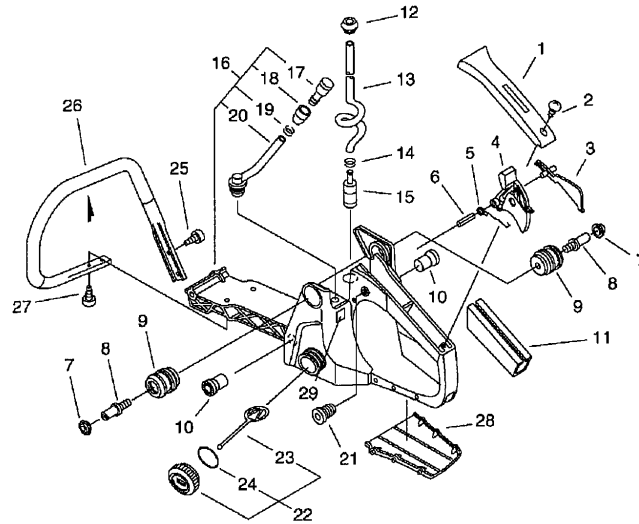
19	+	177221-35430	PLATE, STARTER	1
20	+	177220-35430	SPRING, REWIND	1
21	+	177228-35430	GRIP, STARTER (BL)	1
22	+	900296-03014	SCREW 3*14	1
23	+	177227-37930	GUIDE, ROPE	1
24		X502-000410	LABEL,ECHO	1
25		900238-05018	SCREW 5*18	3

CS510 (36)

PartsList Master --

Page 1 of 2

Handle



Handle

Key	Lv	Part no.	Part description	Quantity
1		351155-35430	COVER, HANDLE (BL)	1
2		900253-04014	SCREW 4*14	1
3		C460-000072	LOCKOUT, THROTTLE	1
4		C450-000212	CONTROL, THROTTLE	1
5		V452-000260	SPRING,TORSION	1
6		900345-40030	PIN, SPRING 4*30SUS	1
7		100918-38330	CAP, CUSHION	2
8		100915-32530	BOLT	2
9		100921-38330	CUSHION	2
10		100910-38330	CUSHION	2
11		351111-19830	GRIP, HANDLE	1
12		132115-04920	GROMMET	1
13		132010-38331	PIPE	1
14		132013-26630	CLIP	1
15		131205-19831	STRAINER, FUEL	1
16		P021-012561	HANDLE ASY, REAR	1
17	+	131300-56430	VALVE, CHECK	1
18	+	131328-40630	COVER, VENT	1

<https://plist.yamabiko-corp.co.jp/PartsList/PartsListExhibit/plmG0570.html?ASSYNO=C-...> 22-8-2011

CS510 (36)

PartsList Master - -

Page 2 of 2

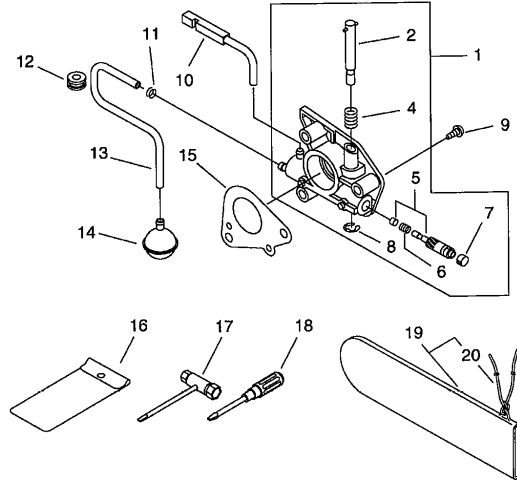
19	+	132013-26630	CLIP	1
20	+	132012-39331	PIPE	1
21		V162-000040	PLUG	1
22		P021-010600	FUEL CAP ASY	1
23	+	A365-000050	CONNECTOR,CAP	1
24	+	900720-00022	O-RING 22	1
25		91145-05020	BOLT HS TAPPING	2
26		C400-000010	HANDLE,FRONT	1
27		91145-05016	BOLT HS TAPPING	2
28		C418-000040	SHIELD,SNOW	1
29		890157-39130	LABEL, SWITCH	1

CS510 (36)

PartsList Master - -

Page 1 of 2

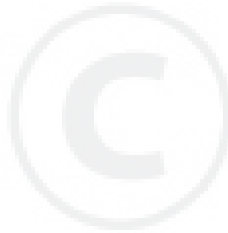
Auto-Oiler



CS510 (36)

Auto-Oiler

Key	Lv	Part no.	Part description	Quantity
1		C022-000090	AUTO-OILER ASSEMBLY	1
2	+	P022-024570	SCREW ASSY, ADJUST	1
4	+	P022-010670	SPRING	1
5	+	P022-010650	PLUNGER	1
6	+	P022-010600	UNIT, CLUTCH	1
7	+	P022-010640	CAP, OIL PUMP	1
8	+	125327-15130	CLIP	1
9		900223-04016	SCREW	2
10		437229-38331	PIPE	1
11		132013-26630	CLIP	1
12		132115-12330	GROMMET	1
13		437210-38330	PIPE, OIL	1
14		436205-14730	STRAINER, OIL	1
15		175310-38330	PLATE, SEAL	1
16		898510-39130	BAG, TOOL	1
17		X602-000080	TOOL,WRENCH	1
18		895811-00130	DRIVER, SCREW 125	1
19		898548-14531	SCABBARD, CHAIN	1
20	+	898568-14530	ROPE	1

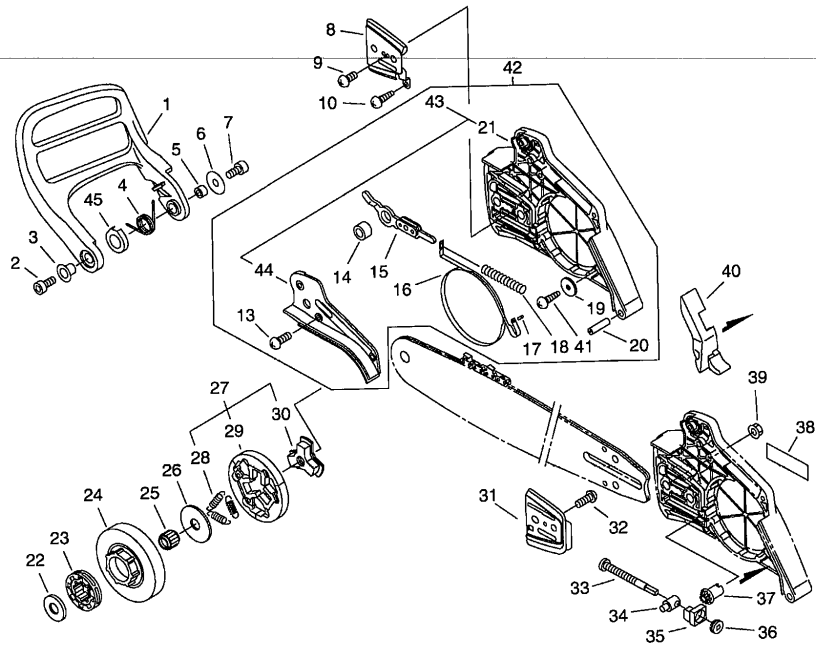


CS510 (36)

PartsList Master - -

Page 1 of 3

Clutch, Sprocket



Clutch, Sprocket

Key	Lv	Part no.	Part description	Quantity
1		C320-000141	LEVER, BRAKE	1
2		900105-05030	BOLT, H.S. 5*30	1
3		V356-000300	COLLAR, 10	1
4		V452-001280	SPRING, TORSION	1
45		V456-000230	HOLDER, SPRING	1
5		433116-35430	SPACER 8	1
6		177214-03930	WASHER	1
7		V202-000120	BOLT, 4	1
8		C305-000001	PLATE, SPROCKET GUARD	1
9		91325-03005	SCREW	1
10		V202-000060	BOLT, 4	1
42		C032-000322	BRAKE ASY, CHAIN	1
13	+	V202-000060	BOLT, 4	3
14	+	433116-35430	SPACER 8	1
15	+	C334-000090	CONNECTOR, BRAKE	1
16	+	C328-000110	BAND, BRAKE	1
17	+	900330-30120	PIN	1
18	+	V450-000070	SPRING, COMPRESSION	1

<https://plist.yamabiko-corp.co.jp/PartsList/PartsListExhibit/plmG0570.html?ASSYNO=C-...> 22-8-2011

CS510 (36)

PartsList Master - -

Page 2 of 3

19	+	351249-06960	WASHER	1
20	+	900342-60025	PIN, SPRING	1
43		P021-015240	GUARD, SPROCKET KIT	1
21	++	C300-000352	GUARD, SPROCKET	1
44	++	C345-000241	COVER, BRAKE	1
41	+	900253-04016	SCREW 4*16	1
22		A551-000000	PLATE, CLUTCH	1
23		175114-12530	SPROCKET, RIM .325	1
24		A556-000021	DRUM, CLUTCH	1
25		V557-000020	BEARING, NEEDLE 12	1
26		A551-000060	PLATE, CLUTCH	1
27		A056-000111	CLUTCH	1
28	+	V451-000500	SPRING, TENSION	3
29	+	P021-007050	CLUTCH SHOE SET	1
30	+	A552-000090	HUB, CLUTCH	1
31		433013-35432	PLATE, GUIDE (INNER)	1
32		900220-04006	SCREW 4*6	1
33		V203-000110	BOLT, 5	1



CS510 (36)

PartsList Master - -

Page 3 of 3

Clutch, Sprocket

Key	Lv	Part no.	Part description	Quantity
34		C309-000030	TENSIONER,CHAIN	1
35		V355-000270	COLLAR,8	1
36		V651-000011	GEAR,BEVEL	1
37		V651-000001	GEAR,BEVEL	1
38		X502-000340	LABEL,ECHO	1
39		433019-12330	NUT, FLANGE 8	2
40		C302-000000	PAD, GUARD	1

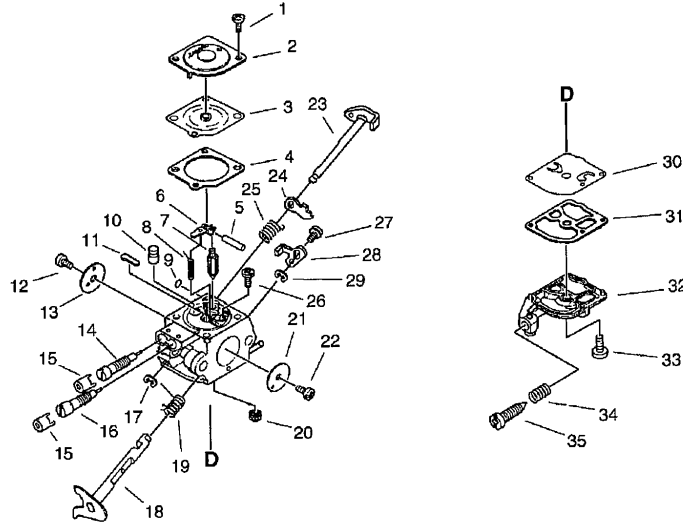
<https://plist.yamabiko-corp.co.jp/PartsList/PartsListExhibit/plmG0570.html?ASSYNO=C-...> 22-8-2011

CS510 (36)

PartsList Master - -

Page 1 of 2

Carburettor



Carburettor

Key	Lv	Part no.	Part description	Quantity
		A021-001000	CARBURETOR,DIAPHRAGM	1
1	+	125344-52130	SCREW	2
2	+	125342-52130	COVER, DIAPHRAGM	1
3	+	125341-49030	DIAPHRAGM	1
4	+	125340-42030	GASKET, DIAPHRAGM	1
5	+	125338-13930	PIN, METERING ARM	1
6	+	125323-08260	ARM, VALVE	1
7	+	125337-08260	VALVE, INLET NEEDLE	1
8	+	125322-13930	SPRING, COIL	1
9	+	125345-13310	PLUG, WELCH	1
10	+	P005-000770	NOZZLE CHECK VALVE	1
11	+	125345-51030	PLUG, WELCH	1
12	+	125314-51230	SCREW	1
13	+	P005-000900	VALVE, CHOKE	1
14	+	P005-001830	SCREW,MAINN MIXTURE	1
15	+	A259-000050	CAP, LIMITER	2
16	+	P005-001820	SCREW, IDLE MIXTURE	1
17	+	125327-15130	CLIP	1

<https://plist.yamabiko-corp.co.jp/PartsList/PartsListExhibit/plmG0570.html?ASSYNO=C...> 22-8-2011

CS510 (36)

PartsList Master - -

Page 2 of 2

18	+	P005-000780	SHAFT ASY, THROTTLE	1
19	+	P005-000790	SPRING, THRT.RETURN	1
20	+	P005-000860	SCREEN, FUEL INLET	1
21	+	P005-000810	VALVE, THROTTLE	1
22	+	125314-13930	SCREW	1
23	+	P005-001310	SHAFT, CHOKE	1
24	+	P005-001300	LEVER, CHOKE	1
25	+	P005-000880	SPRING, CHOKE RETURN	1
26	+	125339-13930	SCREW	1
27	+	125348-13930	SCREW	1
28	+	P005-000800	LEVER, THROTTLE	1
29	+	125327-13930	CLIP	1
30	+	P005-000820	DIAPHRAGM, PUMP	1
31	+	125325-08360	GASKET, PUMP	1
32	+	P005-000830	COVER, PUMP	1
33	+	125310-13930	SCREW	1
34	+	125333-06960	SPRING, IDLE ADJUSTER	1
35	+	125344-08560	SCREW	1