



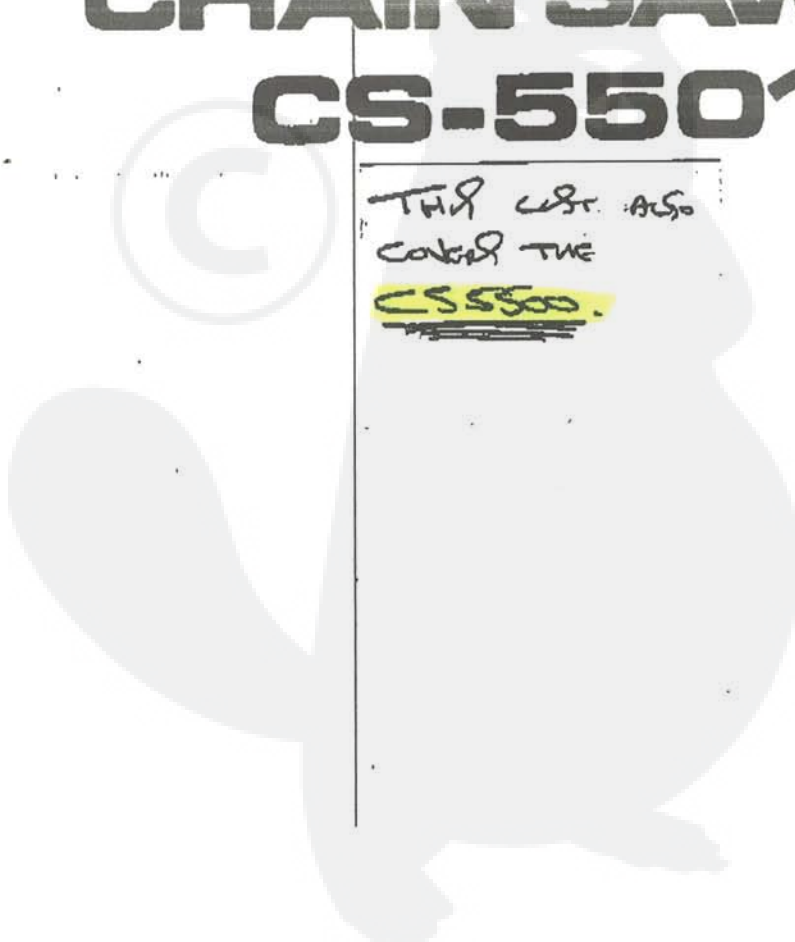
PARTS CATALOGUE

ECHO CHAIN SAW CS-5501

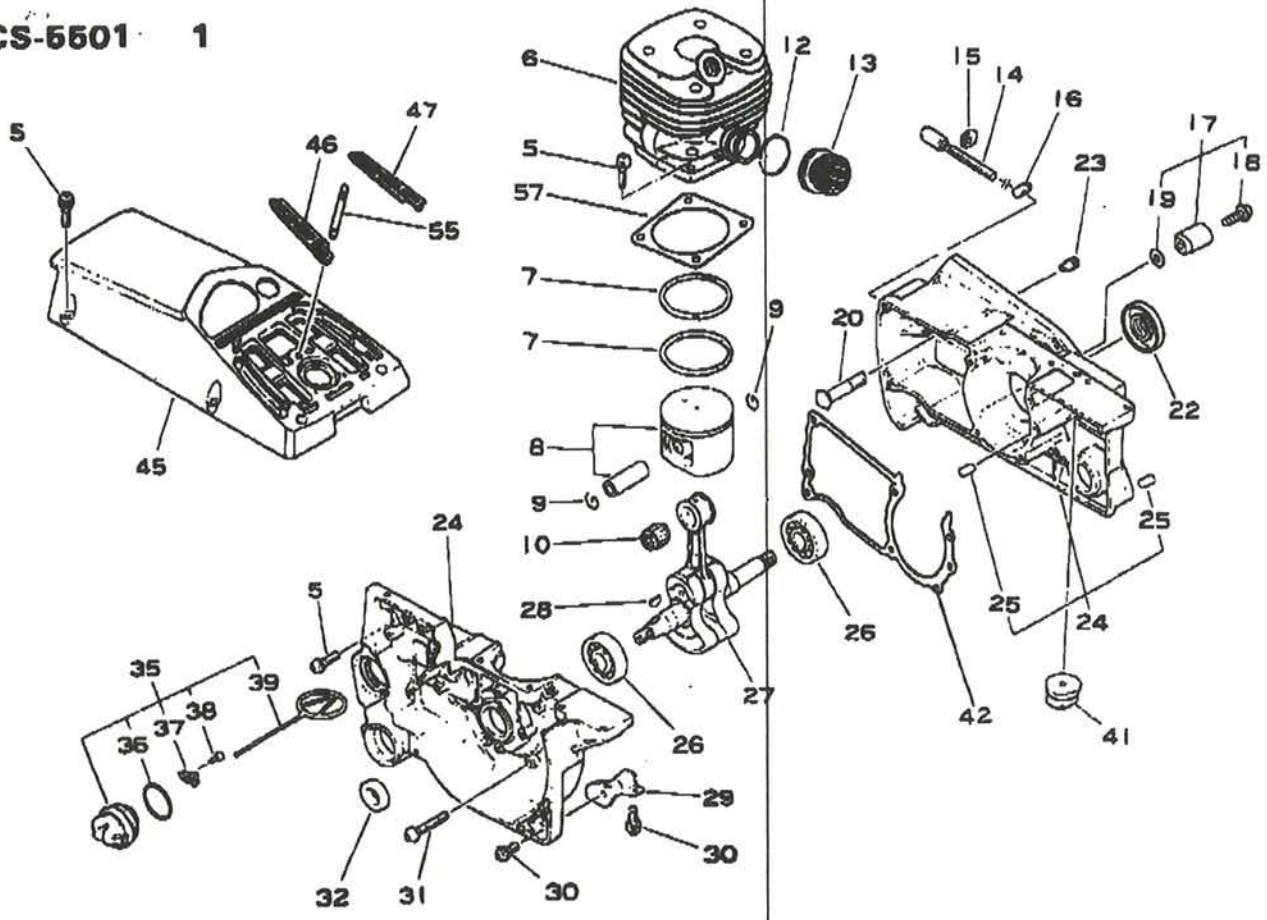
THIS LIST ALSO
COVERS THE
CS5500.



898 617-3823 0

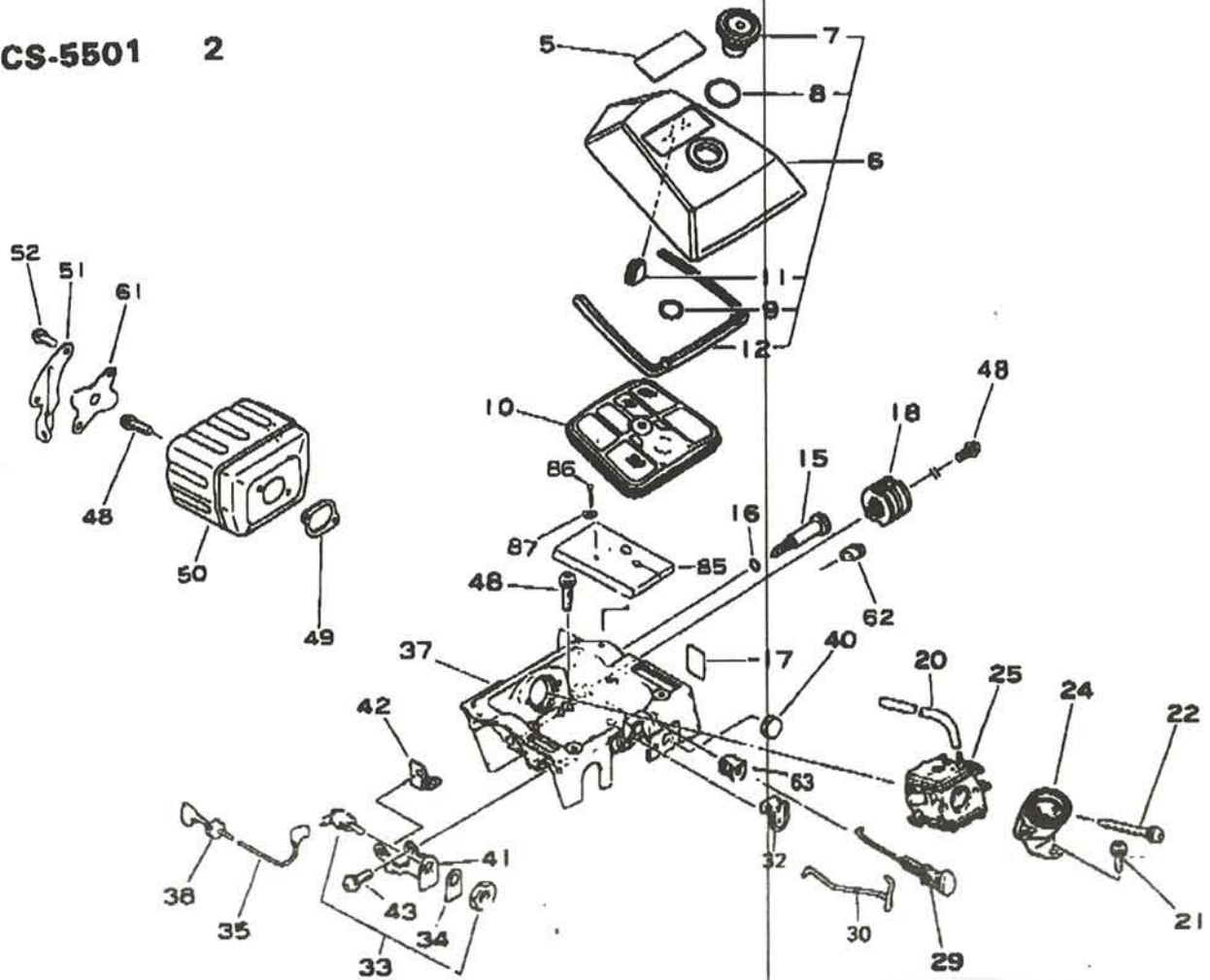


CS-5501 1



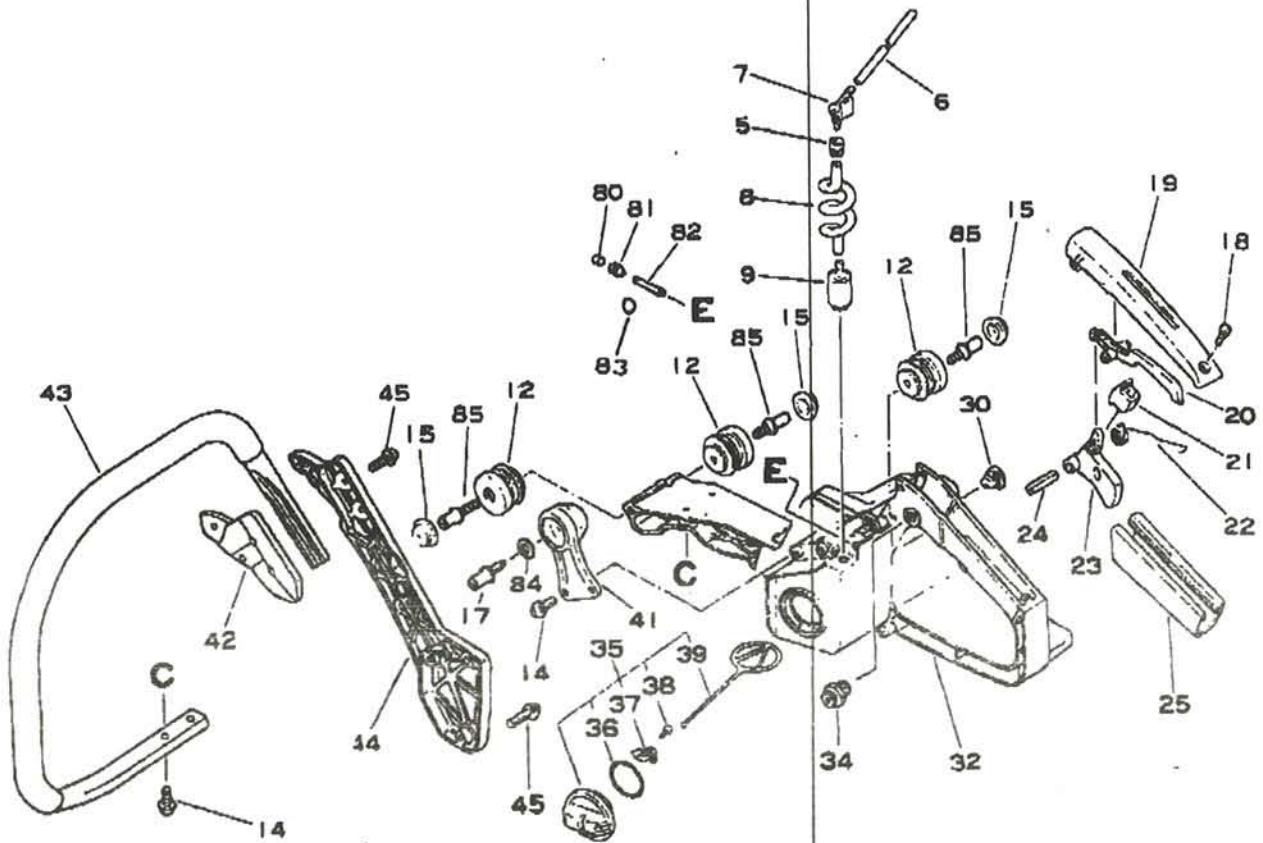
Key No.	Part Number	Q'ty	Description	Key No.	Part Number	Q'ty	Description
1-5	900 162-0502 0	11	Screw 5x20	1-26	-100 121-1983 0	1s	Bearing set
6	101 005-3233 1	1	Cylinder	32	-100 212-1983 0	1	Oilseal
7	100 011-3233 0	2	Ring, piston	41	-100 251-1983 0	1	Cushion
8	100 003-3233 0	1s	Piston + piston pin	1-42	-100 242-3243 0	1	Gasket, crankcase
9	100 015-3233 0	2	Circlip, piston pin	1-57	101 010-3243 1	1	Gasket, cyl.base
				1-27	100 100-3233 0	1	Crankshaft assembly
12	130 5.6-3083 0	1	Band	10	-100 012-3233 0	1	Bearing, needle
13	130 510-3243 0	1	Adapter, intake	28	100 142-3083 0	1	Key, Woodruff
14	433 016-1103 1	1	Screw, adjustment	29	100 917-3243 0	1	Cushion
15	433 028-1103 0	1	Clip -	30	900 238 0501 4	2	Screw 5x14
16	433 014-0283 0	1	Tensioner	31	900 162-0503 5	4	Screw 5x35
17	433 000-1983 1	1	Catcher kit, chain	35	436 001-1983 2	1	Cap assembly, oil
18	-436 001-1983 2	1	Screw 5x20	36	-436 012-1983 0	1	Seal
19	-900 600-0000 5	1	Washer 5	37	-131 050-1983 0	1	Holder
24	100 301-3243 2	1s	Crankcase	38	-900 258-0300 8	1	Screw 3x8
20	-433 011-1983 0	2	Stud	39	-131 051-1983 0	1	Connector
21	-900 345-5001 0	1	Pin, spring	45	101 506-3253 0	1	Cover, cylinder
22	-100 212-3243 0	1	Oilseal	46	130 023-3233 0	1	Screen
23	-436 114-1393 0	1	Valve, check	47	130 022-3233 0	1	Screen
25	-100 215-0283 0	2	Pin, dowel	55	101 014- 593 1	1	Stud

CS-5501 2



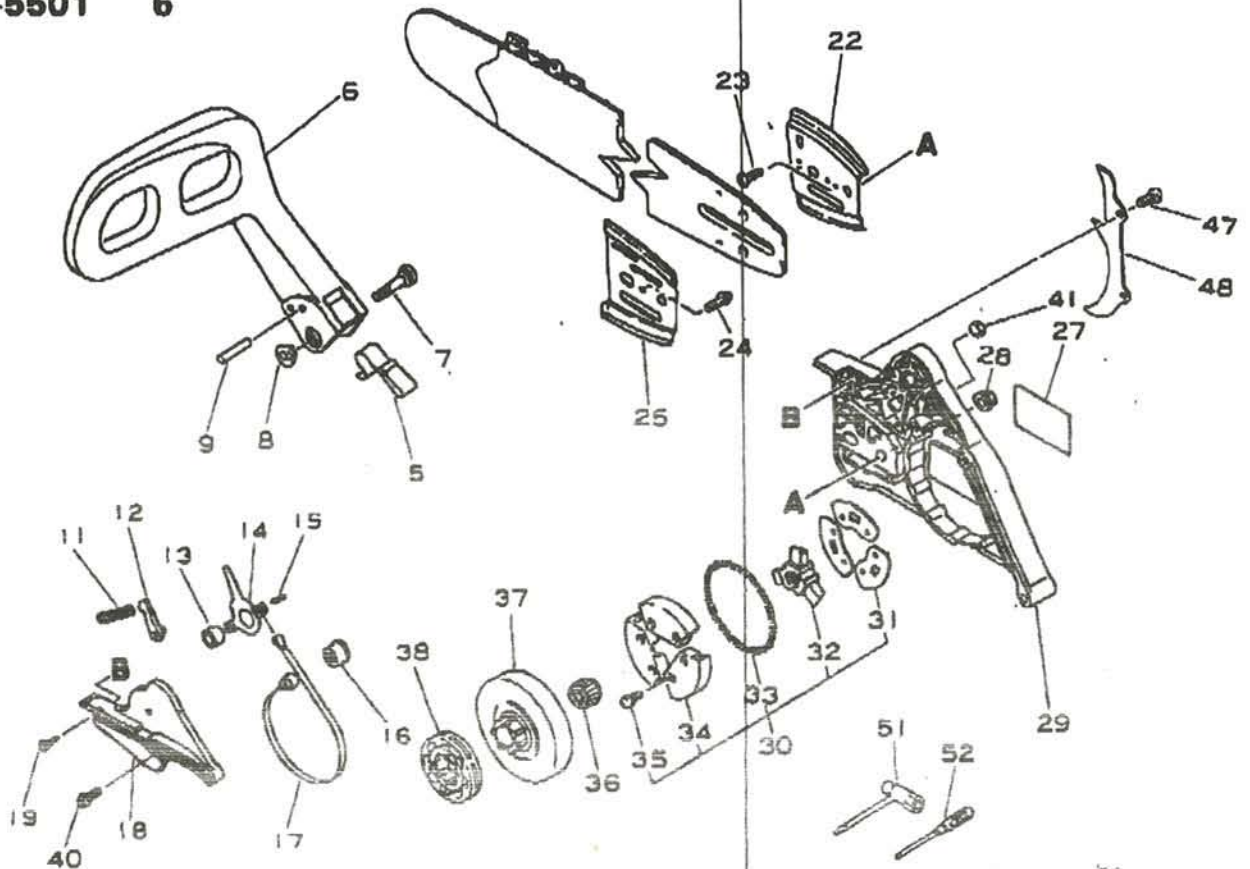
Key No.	Part Number	Q'ty	Description	Key No.	Part Number	Q'ty	Description
2- 5	890 151-3253 0	1	Label	2-33	163 400-3083 0	1	Switch, ignition
6	130 302-3253 0	1	Cover	34	890 157-3013 0	1	Label
7.	-130 406-3263 0	1	Knob, cleaner cover	35	162 021-3253 0	1	Lead, ground
8	-900 720-0002 2	1	O-ring 22	37	130 306-0606 0	1	Case, carburetor
9	-900 720-0001 1	1	O-ring 11	38	156 114-0492 0	1	Bushing
11	-130 338-3243 0	1	Plug	40	163 911-3013 0	1	Plug
12	-130 365-3243 0	1	Gasket	41	163 810-3013 0	1	Bracket
10	130 300-3243 1	1	Cleaner assembly, air	42	156 635-3253 0	1	Lead
15	129 013-1983 1	1	Screw, idle speed	43	900 238-0501 4	1	Screw 5x10
16	900 720-0000 7	1	O-ring 7	48	900 162-0502 0	7	Screw 5x20
17	890 185-0346 0	1	Label	49	145 510-3243 0	1	Gasket, muffler
18	100 905-3233 1	1	Cushion	50	145 610-3233 0	1	Muffler
20	130 110-1983 0	1	Pipe	51	145 711-3243 0	1	Bracket
21	900 246-0501 4	1	Screw 5x14	52	900 238-0501 4	2	Screw 5x14
22	900 252-0505 3	2	Screw 5x53	62	129 010-3243 0	1	Grommet
24	130 518-3233 1	1	Connector	61	145 813-3173 0	1	Cover, muffler
25	123 000-3233 0	1	Carburetor assembly	63	178 810-3333 0	1	Grommet
29	178 510-3243 0	1	Rod, choke	85	130 320-3263 0	1	Pad
30	178 011-3263 0	1	Rod, throttle	86	900 300-3001 8	1	Pin
32	178 114-3263 0	1	Connector, throttle	87	433 162-1993 0	1	Washer

CS-5501 5



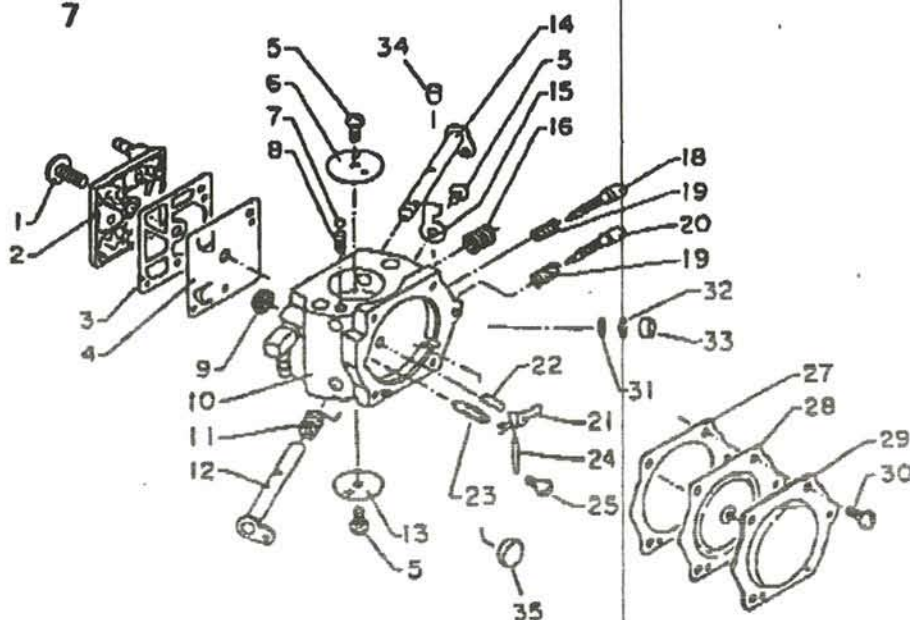
Key No.	Part Number	Q'ty	Description	Key No.	Part Number	Q'ty	Description
5-5	132 115-0146 0	2	Grommet	5-38	-900 258-0300 8	1	Screw 3x8
6	132 012-3243 0	1	Pipe	39	-131 051-1983 0	1	Connector
7	132 011-1983 0	1	Connector, fuel pipe	41	100 921-3243 1	1	Cushion 1, 92, 100
8	132 010-3083 0	1	Pipe	42	351 614-3243 0	1	Supporter, front handle
9	131 205-0023 0	1	Strainer, fuel	43	351 606-3813 0	1	Handle, front 2334
12	100 910-3243 0	3	Cushion 1, 11, 084	44	351 616-3243 0	1	Supporter, front har
13	100 917-1983 0	1	Cushion	45	900 238-0502 0	5	Screw 5x20
14	900 238-0501 4	4	Screw 5x14	80	131 300-4063 0	1	Vent
15	100 918-1983 0	3	Plug	81	131 328-4063 0	1	Cover
17	100 915-3393 0	1	Screw 5x14	82	131 312-3243 0	1	Pipe, vent
18	900 238-0401 4	1	Screw 4x14	83	130 111-0053 0	1	Clip
19	351 155-3013 1	1	Grip, rear handle	84	900 600-0000 5	1	Washer
20	178 090-3013 0	1	Lockout, throttle control	85	100 915-3253 0	3	Screw
21	178 073-3243 0	1	Cushion				
22	178 043-1983 0	1	Spring				
23	178 010-1983 0	1	Control, throttle				
24	900 345-5002 5	1	Pin, spring 5x25				
25	351 111-3013 0	1	Grip, rear handle				
30	131 329-3233 0	1	Plug				
32	351 103-3243 1	1	Handle, rear				
34	178 302-3013 0	1	Latch, throttle				
35	131 004-1983 0	1	Cap assembly, fuel				
36	-900 720-0002 9	1	O-ring 29				
37	-131 050-1983 0	1	Holder				

CS-5501 6



Key No.	Part Number	Q'ty	Description	Key No.	Part Number	Q'ty	Description
6-5	433 114-3813 0	1	Spring, flat	6-29	433 010-3253 0	1	Guard, sprocket
6	433 105-3813 0	1	Lever, brake	30	175 000-1983 0	1	Clutch assembly
7	433 113-3013 0	1	Pin, pivot	31	-175 019-1983 0	3	Plate
8	900 330-3526 0	1	Pin	32	-175 016-1983 0	1	Hub, clutch
9	433 137-3013 0	1	Nut	33	-175 018-1983 0	1	Spring, clutch
11	433 122-3813 0	1	Spring	34	-175 002-1983 0	15	Shoe set, clutch
12	433 209-3543 0	1	STopper	35	-900 238-0400 8	6	Screw 4x8
13	433 116-3543 0	1	Collar	36	175 012-1983 0	1	Bearing, needle
14	433 208-3543 0	1	Connector	37	175 105-1983 1	1	Drum, clutch
15	900 345-4000 8	1	Pin, spring	38	175 114-1253 0	1	Sprocket, rim
16	433 142-3543 0	1	Adjuster	40	900 220-0301 8	1	Screw
17	433 123-3253 0	1	Band, brake	41	900 500-0000 3	1	Nut
18	433 310-3813 0	1	Cover, brake	47	880 211-3013 0	2	Bolt
19	900 252-0401 2	2	Screw	48	880 200-3243 0	1	Bumper, spiked
22	433 012-3083 0	1	Plate, outer	51	895 410-0283 0	1	Wrench w/screwdriver
23	900 241-0300 6	1	Screw 3x6	52	895 812-0393 0	1	Screwdriver
24	900 281-0400 8	1	Screw 4x8				
25	433 013-3083 0	1	Plate, inner				
27	890 118-1833 1	1	Label				
28	433 019-1233 0	2	Nut				

CS-5501 7



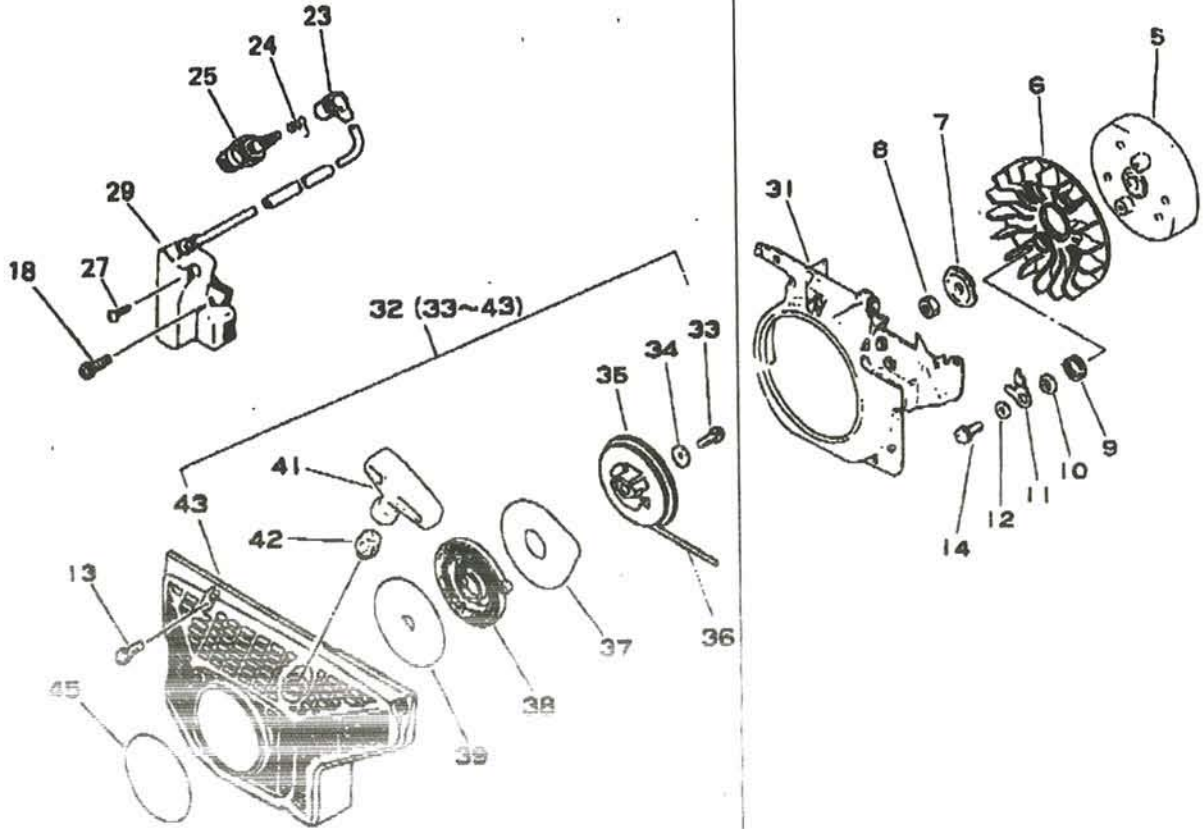
Key No.	Part Number	Q'ty	Description	Key No.	Part Number	Q'ty	Description
7-	123 000-3233 0	1	Carburetor assembly	7-19	-123 121-0393 0	2	Spring, idle needle
1	-123 110-1613 0	1	Screw	20	-123 120-1843 1	1	Needle, high speed
2	-123 124-1983 0	1	Cover, pump	21	-123 123-1833 0	1	Lever, metering
3	-123 125-1233 0	1	Gasket, pump	22	-123 122-0393 0	1	Spring, metering lever
4	-123 112-1233 0	1	Diaphragm, pump	23	-123 137-1613 0	1	Valve, inlet needle
5	-123 114-0393 0	3	Screw	24	-123 138-0393 0	1	Pin, metering lever
6	-123 132-1733 0	1	Valve, choke contro	25	-123 139-0393 0	1	Screw
7	-123 135-1063 0	1	Ball	27	-123 140-1613 1	1	Gasket, metering diaphi
8	-123 135-1063 0	1	Spring	28	-123 141-1613 1	1	Diaphragm, metering
9	-123 126-1063 1	1	Screen, inlet	29	-123 142-1733 0	1	Cover, metering diaphri
11	-123 113-1613 0	1	Spring, throttle	30	-123 130-0296 0	4	Screw
12	-123 117-3243 0	1	Shaft, throttle	31	-123 168-1063 1	1	Screen
13	-123 132-1613 0	1	Valve, throttle	32	-123 169-1063 0	1	Ring, retaining
14	-123 131-1983 0	1	Rod, choke control	33	-123 146-1733 0	1	Plug, Welch
15	-123 156-3083 0	1	Stop, throttle	34	-123 178-1503 0	1	Plug, friction
18	-123 118-1833 1	1	Needle, idle mixture	35	-123 146-1063 0	1	Plug, Welch



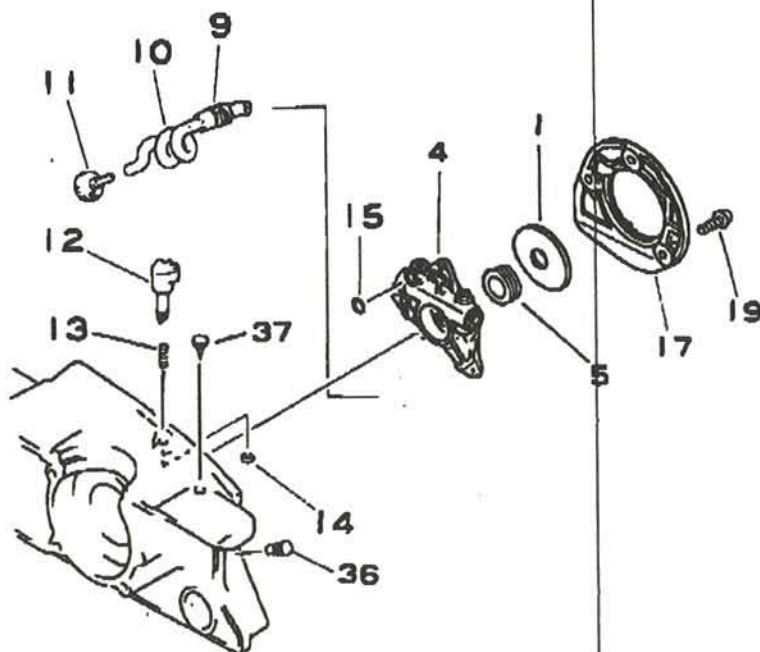
KIORITZ CORPORATION

5-1 SHIMORENJAKU, 7-CHOME, MITAKA, TOKYO 181
 CABLE ADDRESS: KIORITZ MITAKA
 TELEX ADDRESS: KIORITZ A J26592

CS-5501 3



Key No.	Part Number	Q'ty	Description	Key No.	Part Number	Q'ty	Description
3- 5	156 800-3013	1	Flywheel	3-33	-900 238-0501	4	Screw 5x10
6	101 521-3233	0	Fan	34	-900 603-0000	5	Washer
7	100 143-1983	0	Washer	35	-177 215-3233	0	Reel, starter
8	900 500-0000	8	Nut 8	36	-177 226-0283	0	Rope, starter
9	177 234-1983	0	Spring, pawl	37	-177 221-3243	0	Plate
10	177 247-1983	0	Spacer	38	-177 220-0283	4	Spring, rewind
11	177 218-1453	0	Pawl, starter	39	-177 221-0283	0	Plate
12	900 603-0000	5	Washer 5	41	-177 228-3083	0	Grip, starter
13	900 238-0501	0	Screw 5x20	42	-177 227-1063	0	Guide, rope
14	900 162-0501	4	Screw 5x14	43	-101 507-3233	1	Cover, fan
18	900 162-0402	0	Screw 4x20	45	890 112-1833	1	Label
23	159 012-0343	3	Cap, spark plug				
24	159 011-0343	2	Coil, spark plug cap				
25	159 017-1643	1	Plug, spark				
27	900 242-0400	8	Screw				
29	156 601-3263	0	Module, CDI				
31	101 535-3243	0	Cover, fan				
32	177 200-3233	1	Starter assembly				

CS-5501 4

Key No.	Part Number	Q'ty	Description	Key No.	Part Number	Q'ty	Description
4- 1	437 066-3263 0	1	Cover				
4	437 000-3753 0	1	Auto-oiler assembly				
5	437 063-1993 0	1	Wheel, worm				
15	900 720-0000 3	1	O-ring 3				
9	132 115-1233 0	1	Grommet				
10	437 210-3243 0	1	Pipe				
11	436 205-1473 0	1	Strainer, oil				
12	437 039-1983 1	1	Dial, auto-oiler				
13	437 015-1983 0	1	Spring				
14	900 700-0000 3	1	E-ring 3				
17	437 605-3243 0	1	Cover, oil pump				
19	900 238-0401 4	3	Screw 4x14				
36	100 610-3013 0	1	Plug				
37	130 337-3253 0	1	Plug				