

Stand 12.12.2002

ERSATZTEILLISTE

ECHO Motorsäge CS-5501

ECHO-Motorgeräte
Vertrieb Deutschland GmbH
Otto-Schott-Str. 7

72555 Metzingen

Telefon 07123-1091
Telefax 07123-2589
<http://www.echo-shop.de>
email: info@echo-shop.de

No.1

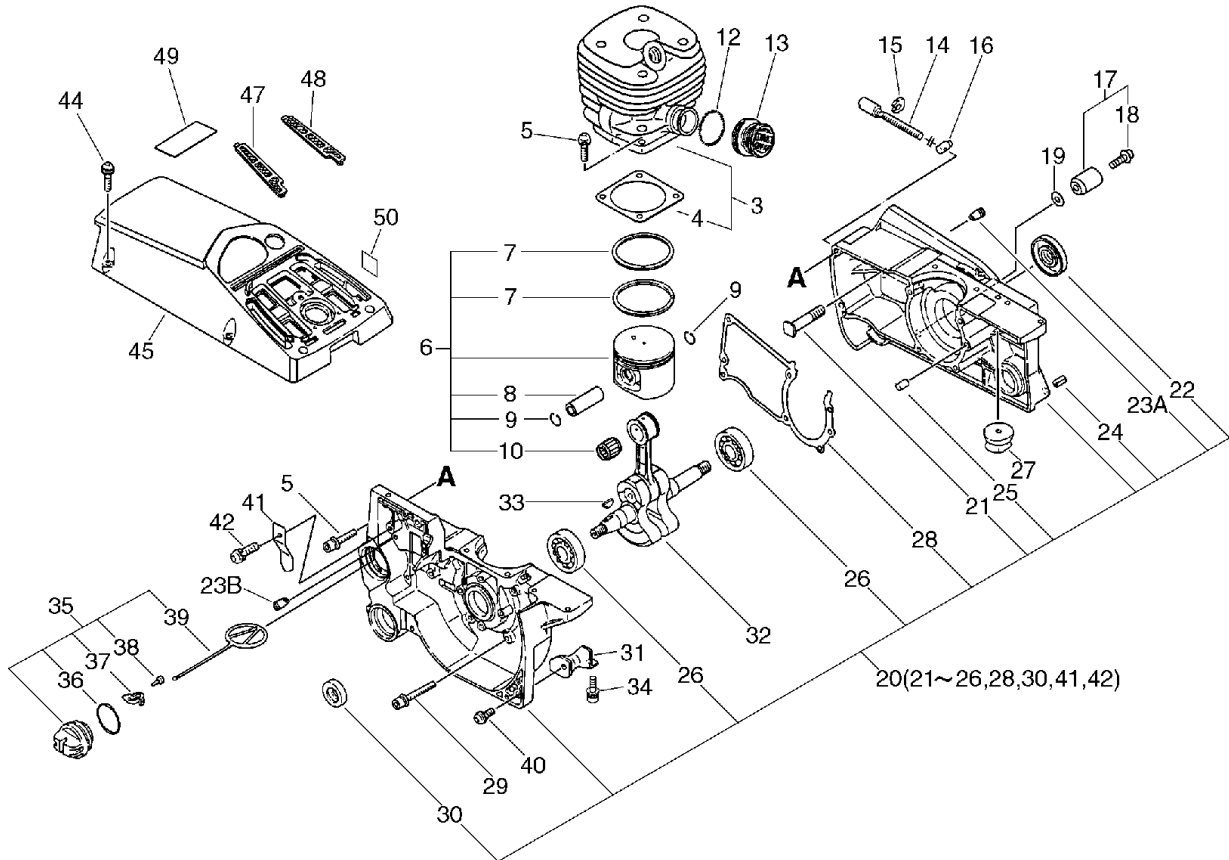


Bild	Artikelnummer	Menge
3	101001-32331	1
4 +	101010-32431	1
5	900162-05020	6
6	100000-32330	1
7 +	100011-32330	2
8 +	100013-32330	1
9 +	100015-32330	2
10 +	100012-32330	1
12	130516-30830	1
13	130510-32430	1
14	433016-11031	1
15	433028-11030	1
16	433014-02830	1
17	433000-19831	1
18 +	900220-05018	1
19	900600-00005	1
20	100204-32432	1
20	100204-32433	1
21 +	433011-19830	2
22 +	100212-32430	1
23A +	436114-13930	1
23B +	436114-13930	1
24 +	900345-50010	1
25 +	100215-02830	2
26 +	900810-36202	2
28 +	100242-32430	1
30 +	100212-19830	1
41 +	V150-000570	1

Bild	Artikelnummer	Menge
42 +	900242-04008	1
27	100251-32430	1
29	900162-05035	4
31	100917-32430	1
32	100100-32330	1
33	100142-30830	1
34	900162-05014	1
35	436001-19833	1
36 +	900725-02025	1
37 +	131050-19830	1
38 +	900246-03008	1
39 +	131051-19830	1
40	900238-05014	1
44	900238-05020	5
45	101506-32530	1
47	130823-32330	1
48	130822-32330	1
49	890345-39230	1
50	890631-38230	1

CS-5501 2

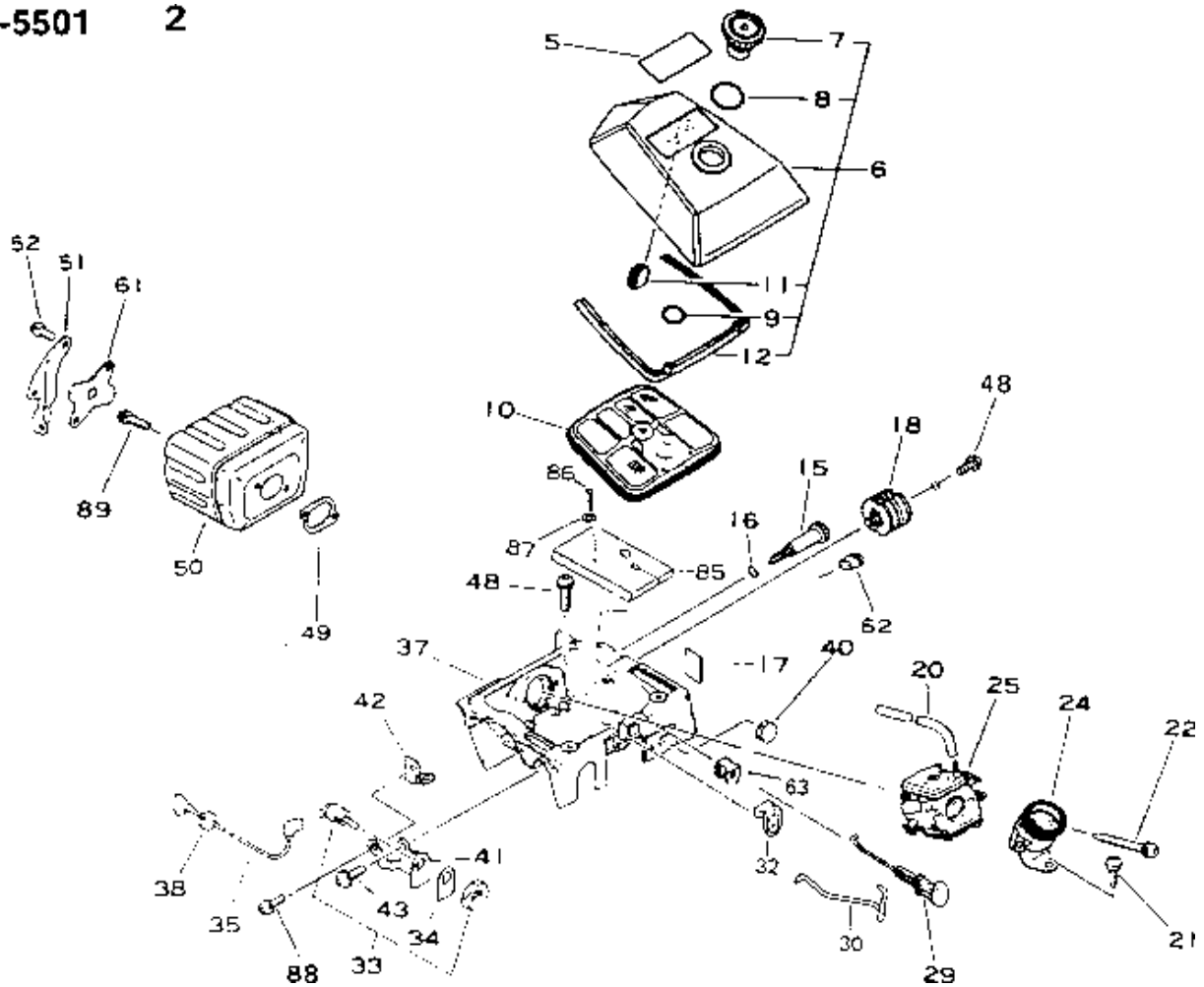


Bild	Artikelnummer	Menge
3	890613-32530	1
6	130302-32530	1
7 +	130406-32630	1
8 +	900720-00022	1
9 +	900720-00010	1
11 +	130338-32430	1
12 +	130365-32430	1
10	130300-32431	1
15	129013-30831	1
16	900720-00007	1
17	890185-03460	1
18	100905-32330	1
20	130110-19830	1
21	900285-05014	1
22	900252-05053	2
24	130518-32331	1
25	123000-32330	1
29	178510-32430	1
30	178011-32430	1
32	178114-32430	1
33	163400-30830	1
34	890157-30130	1

Bild	Artikelnummer	Menge
35	162021-32530	1
37	130306-06060	1
38	156114-04920	1
40	163911-30130	1
41	163810-30130	1
42	156635-32530	1
43	900238-05010	1
45	900285-04010	1
48	900162-05020	2
49	145510-32430	1
50	145610-32330	1
51	145711-32430	1
52	900238-05014	2
61	145813-31730	1
62	129010-32430	1
63	178810-33331	1
85	130320-32630	1
86	900300-30018	1
87	433162-19930	1
88	900285-04010	1
89	900162-05020	2

No.2

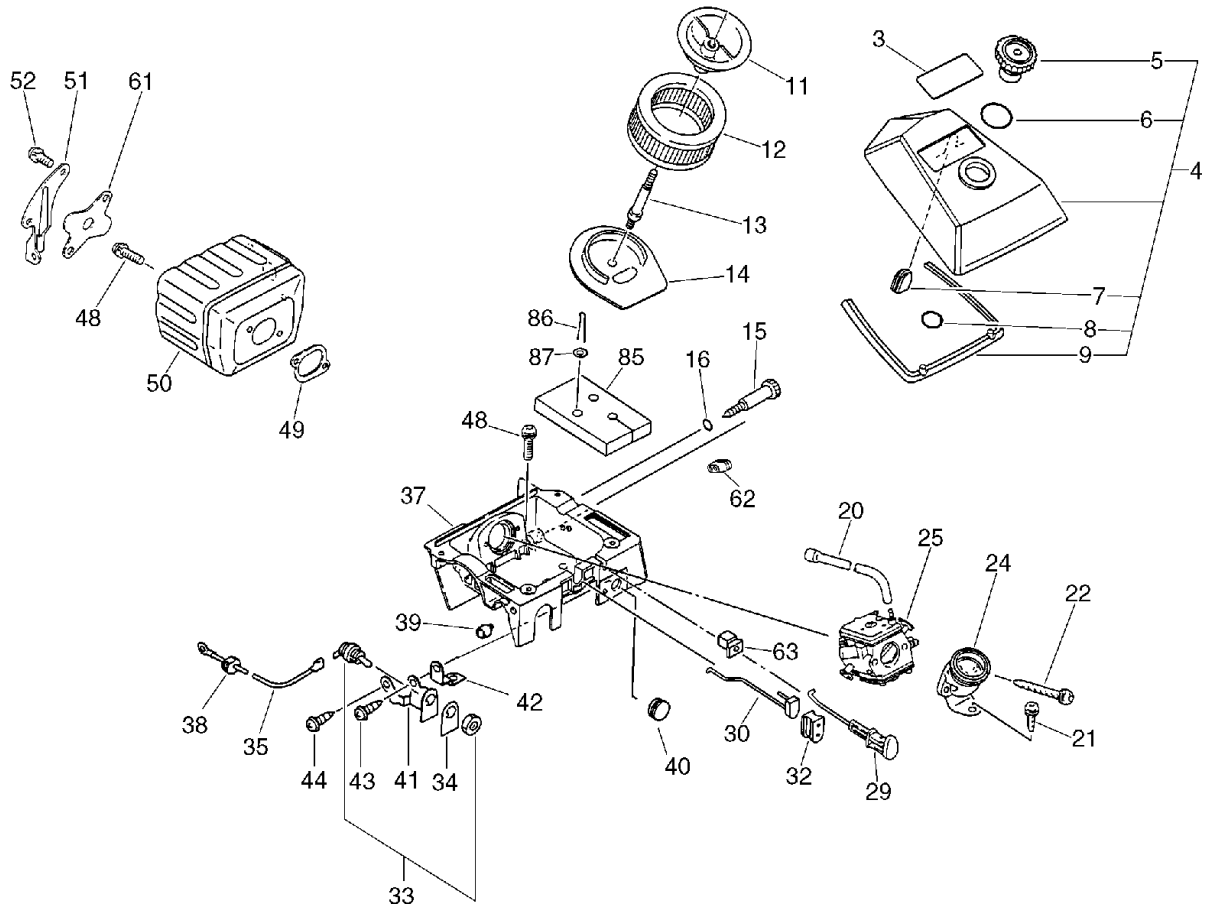


Bild	Artikelnummer	Menge
3	890151-38230	1
4	130302-38131	1
5	+ 130406-33331	1
6	+ 900720-00021	1
7	+ 130338-32430	1
8	+ 900720-00011	1
9	+ 130365-32430	1
11	130405-38130	1
12	130300-38130	1
13	130325-39730	1
14	130420-38130	1
14	130420-38131	1
15	129013-30831	1
16	900720-20007	1
20	130110-19830	1
21	900252-05014	1
22	900252-05053	2
24	130518-32331	1
25	123000-32330	1
29	178510-32330	1
30	178011-32630	1
30	C454-000000	1
32	178114-32630	1
33	163400-30830	1
34	890157-30130	1
35	162021-32530	1
37	130306-06062	1
38	156114-04920	1

Bild	Artikelnummer	Menge
39	130337-30130	1
40	163911-30130	1
41	163810-30130	1
42	156635-32530	1
43	900252-05010	1
44	900252-04010	1
48	900162-05020	6
49	145510-32431	1
50	145610-32330	1
51	145711-32430	1
52	900162-05014	2
61	145813-31730	1
62	129010-32430	1
63	178810-33330	1
63	178810-33331	1
85	130320-32630	1
86	900300-30018	1
87	433162-19930	1

No.3

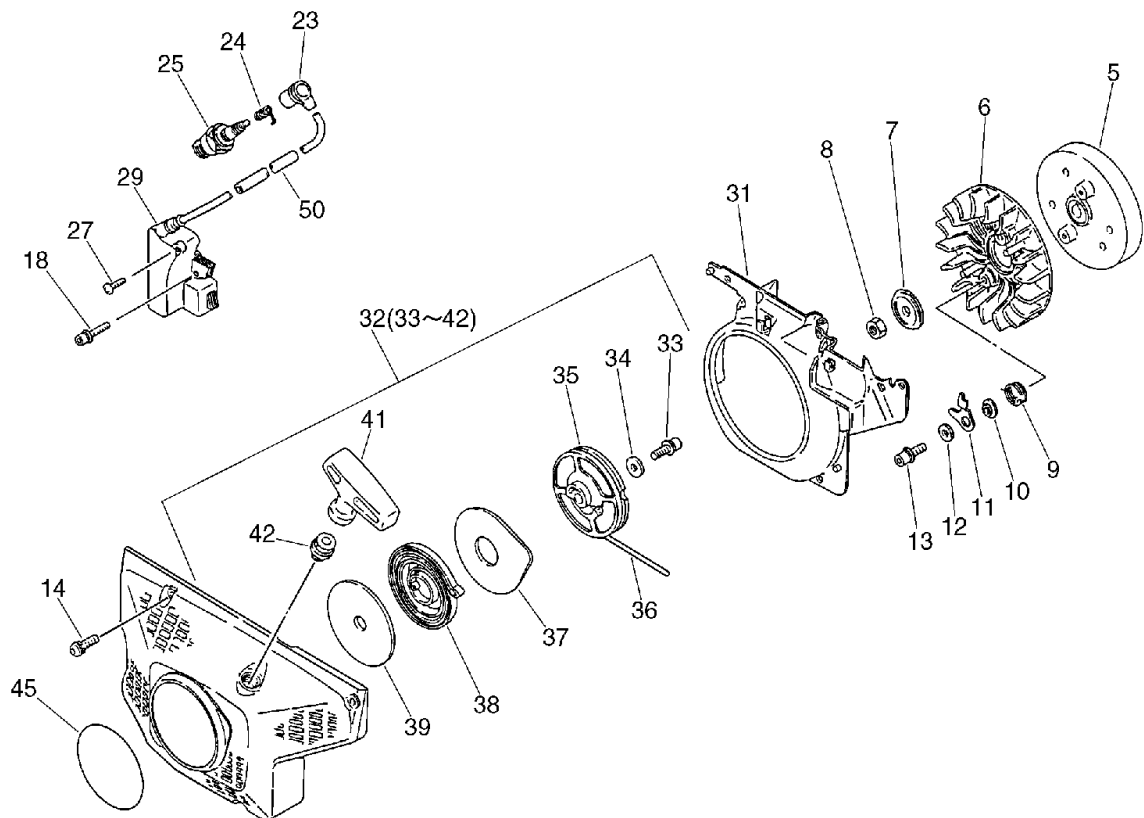


Bild	Artikelnummer	Menge	Bezeichnung	Bemerkungen
5	156800-32630	1	ROTOR, MAGNETO	Sus. by 156800-32631
5	156800-32631	1	ROTOR, MAGNETO	
6	101521-32330	1	FAN, COOLING	
7	100143-19830	1	WASHER	
8	900500-00008	1	NUT 8	
9	177234-19830	2	SPRING, RETURN	
10	177247-19830	2	SPACER, RATCHET	
11	177218-14530	2	PAWL, STARTER	
12	900603-00005	2	WASHER 5	
13	900162-05014	2	BOLT, H.S. 5*14	
14	900238-05020	4	SCREW 5*20	
18	900162-04020	2	BOLT, H.S. 4*20	
23	159012-03433	1	CAP, SPARK PLUG	
24	159011-03432	1	COIL, SPARK PLUG CAP	
25	159017-31730	1	PLUG, SPARK RCJ-6Y	
27	900242-04008	1	SCREW 4*8	
29	156601-32630	1	C.D. IGNITION MODULE	Sus. by 156601-32631
29	156601-32631	1	COIL, IGNITION	
31	101535-32430	1	COVER, FAN	Sus. by 101535-32431
31	101535-32431	1	COVER, FAN	
32	177201-32436	1	STARTER ASY	
33	+ 900238-05014	1	SCREW 5*14	
34	+ 900603-00005	1	WASHER 5	
35	+ 177215-32330	1	DRUM, STARTER	
36	+ 177226-07060	1	ROPE, STARTER	
37	+ 177221-07060	1	PLATE, STARTER	
38	+ 177220-02834	1	SPRING, REWIND	
39	+ 177221-02830	1	PLATE, STARTER	
41	+ 177228-30830	1	GRIP, STARTER	
42	+ 177227-07060	1	GUIDE, ROPE	
45	890112-38130	1	LABEL, ECHO	Sus. by 890118-17930
45	890118-17930	1	LABEL, ECHO	
50	150611-32430	1	TUBE	

No.4

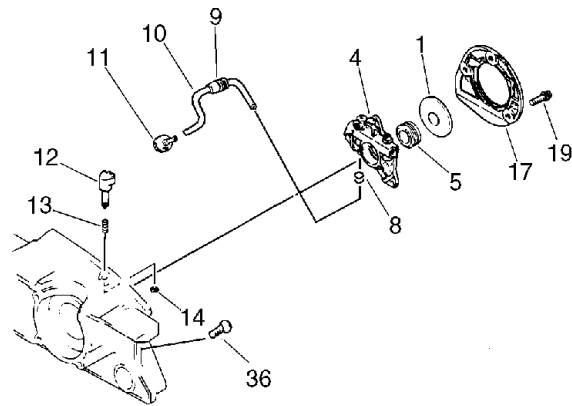


Bild	Artikelnummer	Menge	Bezeichnung	Bemerkungen
1	437066-30130	1	WASHER, CIRCULAR 12	
4	437002-37530	1	AUTO-OILER ASSY	
5	437063-19930	1	WORM (P)	
8	132013-26630	1	CLIP	
9	132115-12330	1	GROMMET	
10	437210-32430	1	PIPE, OIL (INNER)	Sus. by 437210-38330
10	437210-38330	1	PIPE, FUEL	
11	436205-14730	1	STRAINER, OIL	
12	437039-19831	1	KNOB	
13	437015-19830	1	SPRING	
14	900700-00003	1	E-RING 3	
17	437605-32430	1	COVER, OIL PUMP	
19	900162-04012	3	BOLT, H.S. 4*12	
36	100610-30130	1	PLUG	

No.5

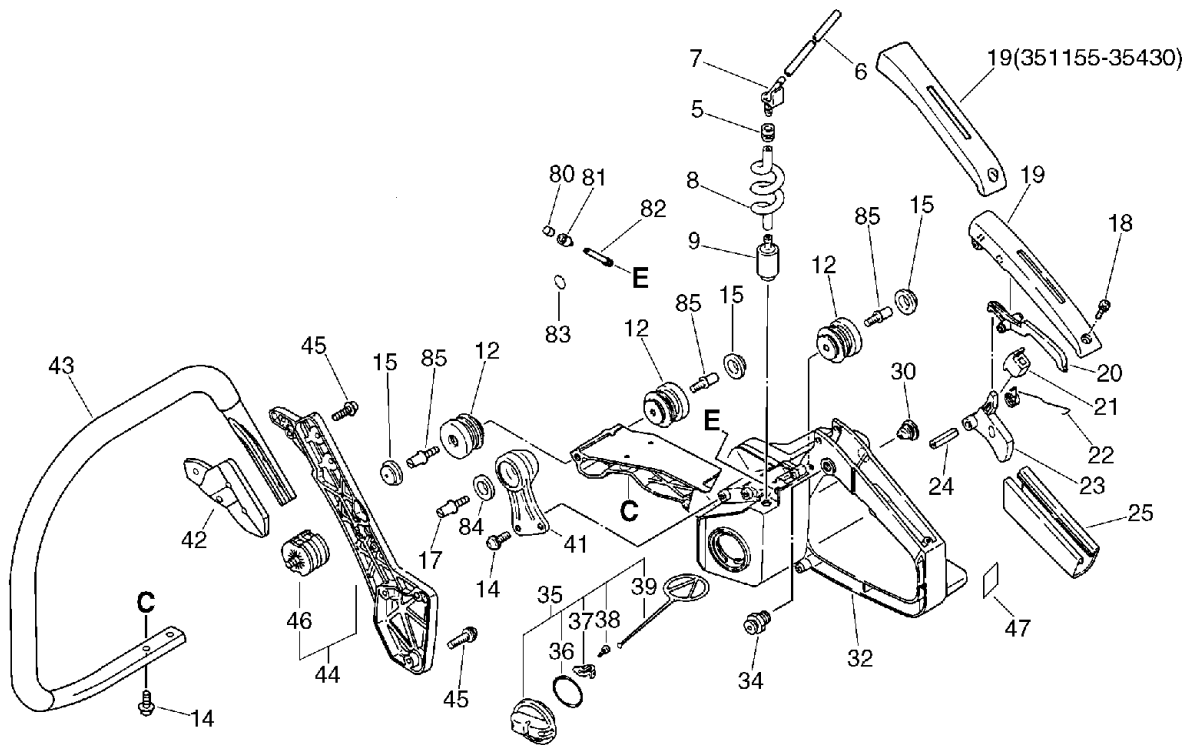


Bild	Artikelnummer	Menge
5	132115-01461	1
6	132012-19830	1
7	132011-19830	1
8	132010-30830	1
9	131205-30830	1
9	131205-19830	1
12	100910-32430	3
14	900162-05014	4
15	100918-19830	3
17	100915-33930	1
18	900238-04014	1
19	351155-30131	1
20	178090-30130	1
21	178073-32430	1
22	178043-19830	1
23	178010-19830	1
24	900342-50025	1
25	351111-30130	1
30	131329-32330	1
32	351103-32431	1
32	351103-32432	1

Bild	Artikelnummer	Menge
19	+ 351155-35430	1
80	+ 131300-40630	1
80	+ 131300-56430	1
81	+ 131328-40630	1
82	+ 131312-32430	1
83	+ 130111-00530	1
34	178302-30130	1
35	131004-19831	1
36	+ 900720-20029	1
37	+ 131050-19830	1
38	+ 900246-03008	1
39	+ 131051-19830	1
41	100921-32431	1
42	351614-38130	1
43	351606-38130	1
44	351603-38130	1
46	+ 100905-32331	1
45	900238-05020	6
47	890157-39130	1
84	900600-00005	1
85	100915-32530	3

No.6

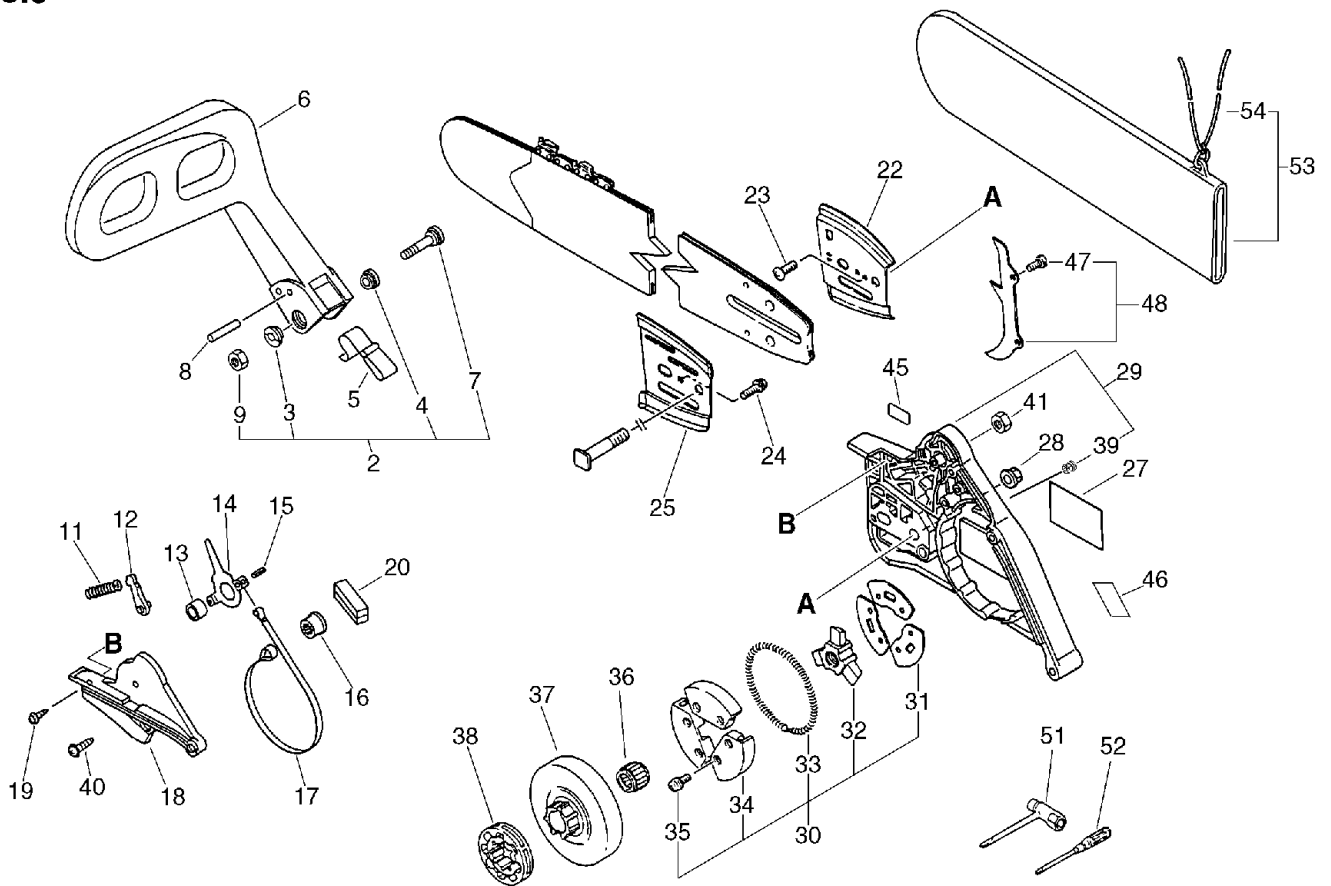


Bild	Artikelnummer	Menge
7	433113-37530	1
2	433113-37538	1
3	+ 433167-39130	1
4	+ 433167-39730	1
7	+ 900209-05035	1
9	+ 900560-00005	1
5	433114-38130	1
5	433114-38131	1
6	433105-38130	1
8	900330-35260	1
9	433137-30130	1
11	433122-38130	1
12	433209-35430	1
13	433116-35430	1
14	433208-35431	1
15	900330-40088	1
16	433142-35430	1
17	433123-32530	1
18	433310-38130	1
19	900252-04012	2
20	433312-32630	1
22	433012-30830	1
23	900241-03006	2
24	900241-04008	1
25	433013-30830	1
27	890118-38130	1

Bild	Artikelnummer	Menge
28	433019-12330	2
29	433010-32531	1
29	P021-002570	1
39	+ V162-000020	1
30	175000-37531	1
31	+ 175019-19830	3
32	+ 175016-19830	1
33	+ 175018-19830	1
34	+ 175002-19830	1
35	+ 900105-04006	6
36	175012-19830	1
37	175105-33330	1
37	175105-19930	1
38	175114-12530	1
38	175114-03430	1
40	900220-03018	1
41	900500-00003	1
45	890316-39130	1
46	890155-30130	1
48	880200-32430	1
47	+ 880211-30130	2
51	895410-02830	1
52	895812-03930	1
53	898548-14531	1
54	+ 898568-14530	1

No.7

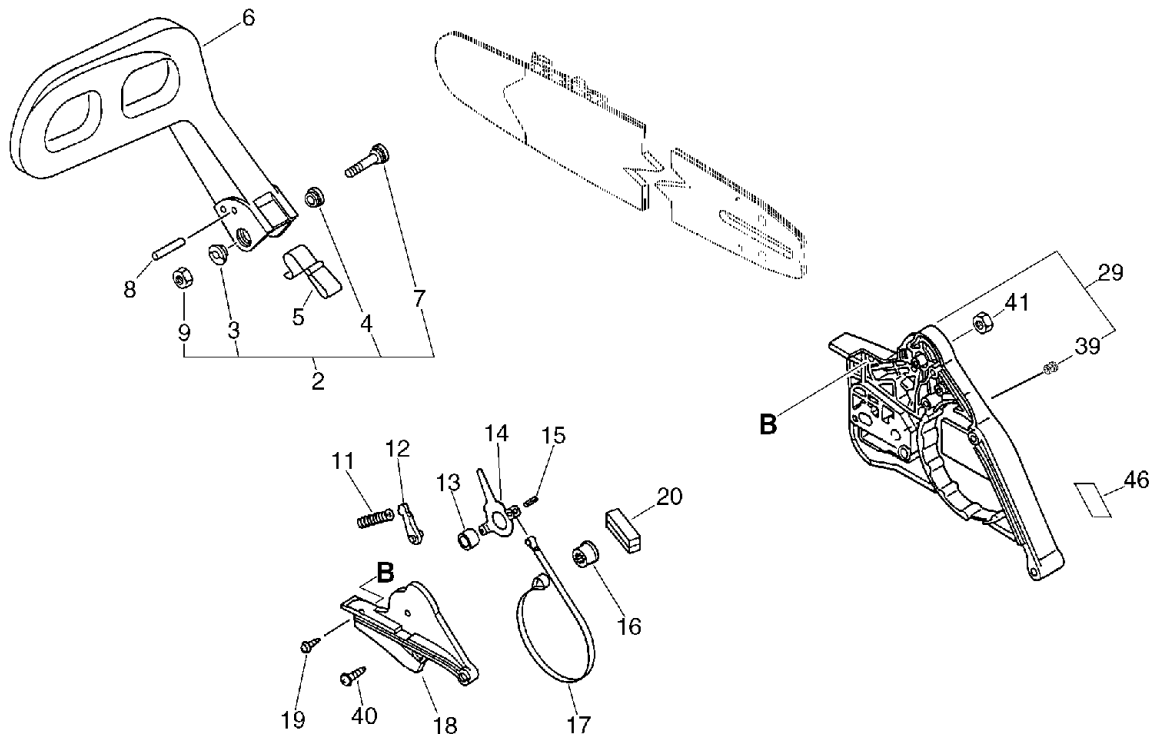


Bild		Artikelnummer	Menge	Bezeichnung	Bemerkungen
		433200-38231	1	BRAKE ASY, CHAIN	Sus. by 433200-38232
		433200-38232	1	BRAKE ASY, CHAIN	
2	+	433113-37538	1	SCREW KIT	
3	++	433167-39130	1	SPACER	
4	++	433167-39730	1	COLLAR 5	
7	++	900209-05035	1	SCREW	
9	++	900560-00005	1	NUT, LOCK	
5	+	433114-38131	1	SPRING, RETURN	
6	+	433105-38130	1	LEVER, BRAKE	
8	+	900330-35260	1	PIN 3.5*26	
11	+	433122-38130	1	SPRING, BRAKE	
12	+	433209-35430	1	STOPPER, BRAKE	
13	+	433116-35430	1	SPACER 8	
14	+	433208-35431	1	LEVER, BRAKE	
15	+	900330-40088	1	ROLLER 4*8.8	
16	+	433142-35430	1	ADJUSTER, BRAKE	
17	+	433123-32530	1	BAND, BRAKE	
18	+	433310-38130	1	COVER, BRAKE	
19	+	900252-04012	2	SCREW 4*12	
20	+	433312-32630	1	COVER, SEAL	
29	+	433010-32531	1	GUARD, SPROCKET	Sus. by P021-002570
29	+	P021-002570	1	GUARD, SPROCKET	
39	++	V162-000020	1	PLUG	Can be needed for non-side-access type models
40	+	900220-03018	1	SCREW (+-SR 3*18)	
41	+	900500-00003	1	NUT 3	
46	+	890155-30130	1	LABEL, CAUTION	

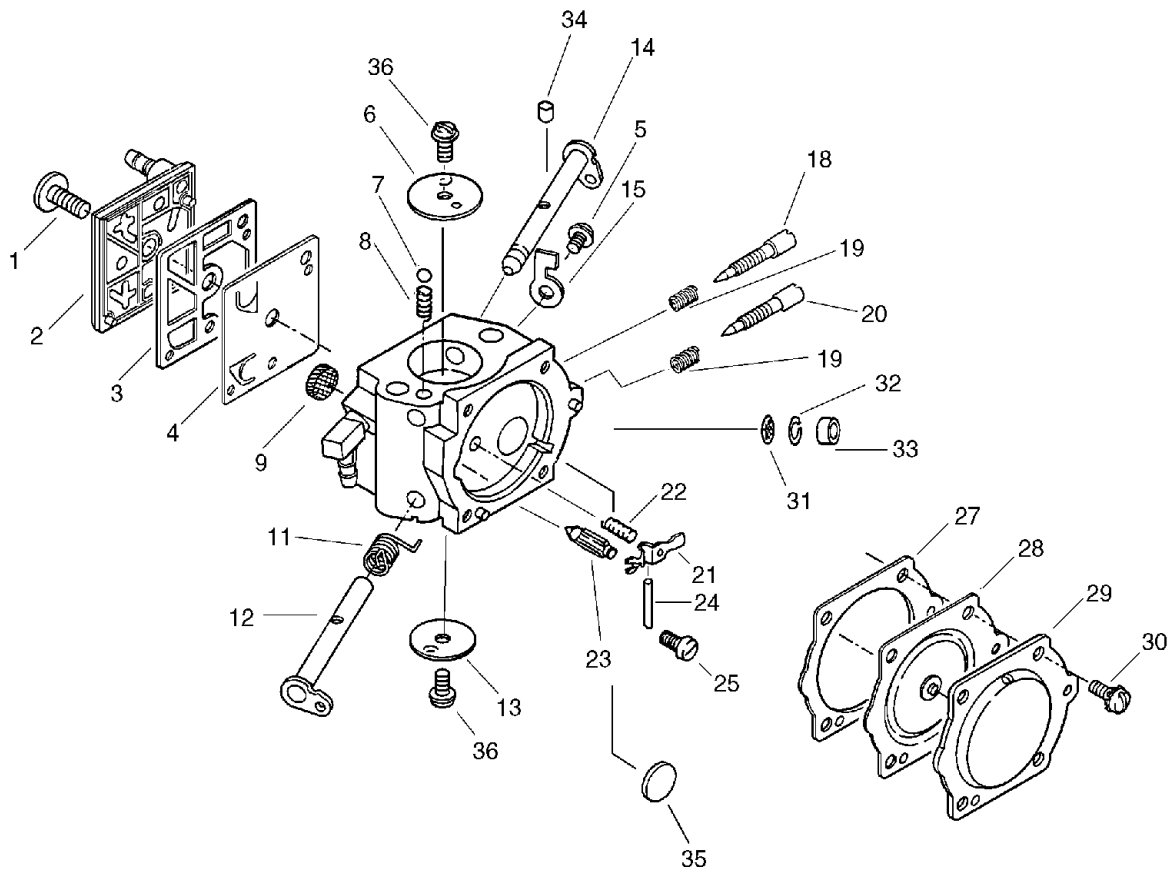


Bild		Artikelnummer	Menge	Bezeichnung
		123000-32330	1	CARBURETOR ASSY
1	+	123110-16130	1	SCREW, PUMP COVER
2	+	123124-19830	1	COVER, FUEL PUMP
3	+	123125-12330	1	GASKET, FUEL PUMP
4	+	123112-12330	1	DIAPHRAGM, FUEL PUMP
5	+	123114-03930	1	SCREW
6	+	123132-17330	1	VALVE, CHOKE
7	+	123136-10630	1	BALL, CHOKE FRICTION
8	+	123135-10630	1	SPRING, CHOKE FRICT.
9	+	123126-10631	1	SCREEN, INLET
11	+	123113-16130	1	SPRING, THRT. RETURN
12	+	123117-32430	1	SHAFT, THROTTLE
13	+	123132-16130	1	VALVE, CHOKE
14	+	123131-19830	1	SHAFT, CHOKE
15	+	123156-30830	1	STOP, THROTTLE
18	+	123120-18330	1	NEEDLE, HIGH SPEED
19	+	123121-03930	2	SPRING, NEEDLE
20	+	123118-18331	1	NEEDLE, IDLE
21	+	123123-18330	1	LEVER, METERING
22	+	123122-03930	1	SPRING, METER. LEVER
23	+	123137-19830	1	VALVE, INLET NEEDLE
24	+	123138-03930	1	PIN, METERING LEVER
25	+	123139-03930	1	SCREW, M. LEVER PIN
27	+	123140-16131	1	GASKET, M. DIAPHRAGM
28	+	123141-16131	1	DIAPHRAGM, METERING
29	+	123142-17330	1	COVER, M. DIAPHRAGM
30	+	123130-02960	4	SCREW
31	+	123168-10631	1	SCREEN
32	+	123169-10630	1	RING, RETAINING
33	+	123146-17330	1	PLUG, CUP
34	+	123178-15030	1	PLUG, FRICTION
35	+	123146-10631	1	PLUG, WELCH
36	+	123114-38830	2	SCREW



ECHO®

Motorgeräte

die geh'n ran

