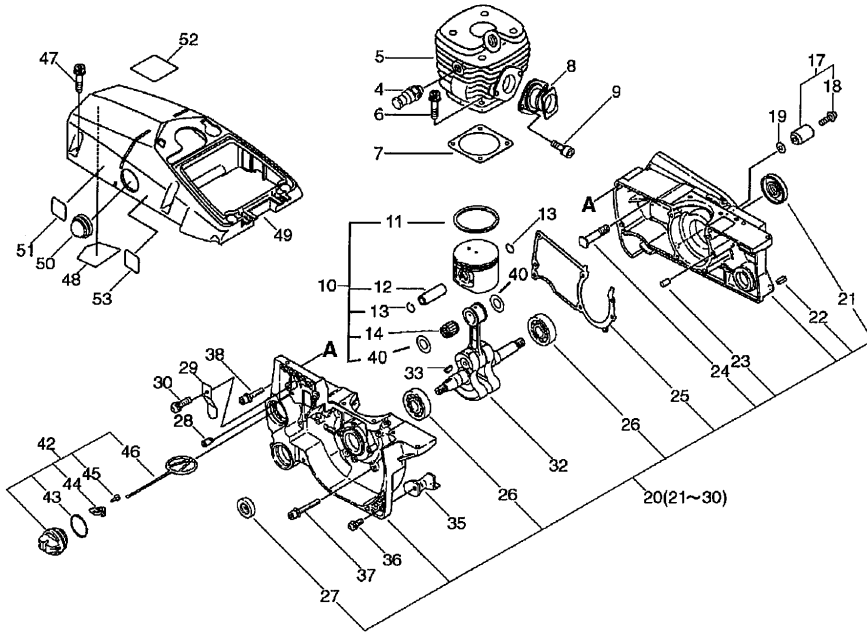


CS-680 (36)

PartsList Master - -

Page 1 of 3

CS-680(36)
Cylinder, Crankcase, Piston



CS-680 (36)

PartsList Master - -

Page 2 of 3

CS-680(36)
Cylinder, Crankcase, Piston

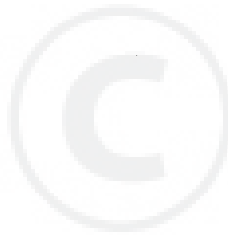
Key	Lv	Part no.	Part description	Quantity
4		A014-000010	DECOMP,ASM	1
5		A130-000241	CYLINDER	1
6		900162-05025	BOLT, H.S. 5*25	4
7		101010-32431	GASKET, CYL. BASE	1
8		A202-000011	BELLOWS,INTAKE	1
9		900162-05014	BOLT, H.S. 5*14	2
10		P021-015290	PISTON KIT	1
11	+	A101-000150	RING, PISTON	1
12	+	V610-000000	PIN,ENG 12	1
13	+	V580-000000	RING,END	2
14	+	100012-32430	BEARING, NEEDLE	1
40	+	100014-18430	SPACER, PISTON PIN	2
17		P021-002880	BUMPER,SPIKED	1
18	+	900220-05018	SCREW 5*18	1
19		900600-00005	WASHER 5	1
20		100204-32435	CRANKCASE KIT	1
21	+	100212-32430	OILSEAL (L)	1
22	+	900342-50025	PIN, SPRING 5*25	1
23	+	100215-02830	PIN, DOWEL	2
24	+	433011-19830	STUD, GUIDE BAR	2
25	+	100242-32430	GASKET, CRANKCASE	1
26	+	900810-36202	BEARING, BALL 6202	2
27	+	100212-19830	OILSEAL	1
28	+	436114-13930	VALVE, CHECK	1
29	+	V150-000570	PLATE,EYE	1
30	+	900242-04008	SCREW	1
32		A011-000250	CRANKSHAFT,ASM	1
33		100142-30830	KEY, WOODRUFF	1
35		V401-000060	CUSHION,5	1
36		900238-05014	SCREW 5*14	2
37		900162-05035	BOLT, H.S. 5*35	4
38		900162-05020	BOLT, H.S. 5*20	2
42		436001-37933	CAP ASSY, OIL TANK	1
43	+	900725-02025	O-RING	1
44	+	131050-19830	RETAINER, LINK	1
45	+	900246-03008	SCREW 3*8	1

CS-680(36)
Cylinder, Crankcase, Piston

Key	Lv	Part no.	Part description	Quantity
46	+	131051-19830	LINK	1
47		900162-05020	BOLT, H.S. 5*20	5
48		V341-000010	WASHER,SQUARE	1
49		A160-000331	COVER,CYLINDER	1

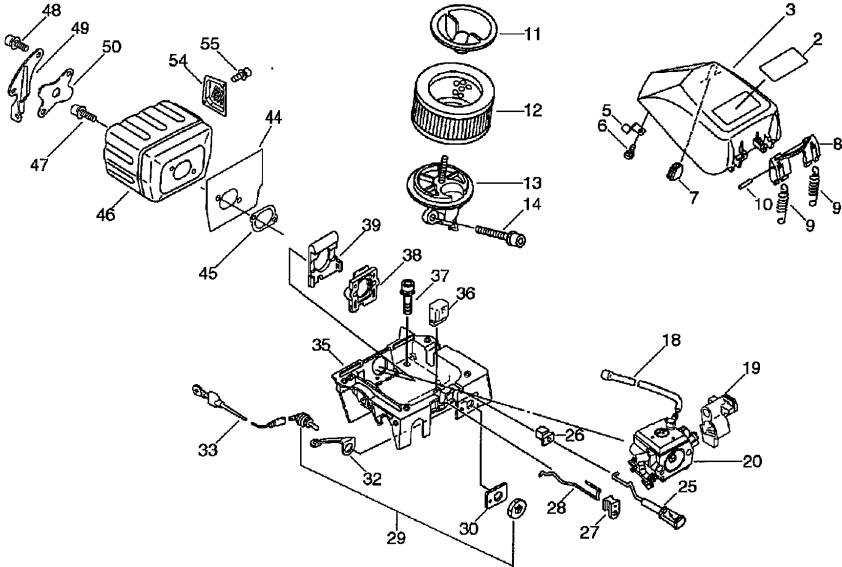
CS-680 (36)

50		101578-37531	PLUG	1
51		X505-000000	LABEL,CAUTION	1
52		890345-39230	LABEL,CAUTION	1
53		X505-000180	LABEL,CAUTION	1



CS-680 (36)

CS-680(36)
Air Cleaner, Carburettor, Muffler



CS-680 (36)

PartsList Master - -

Page 2 of 3

CS-680(36)
Air Cleaner, Carburettor, Muffler

Key	Lv	Part no.	Part description	Quantity
2		X503-009500	LABEL,MODEL	1
3		A232-000350	LID,CLEANER	1
5		V453-000040	SPRING,FLAT	2
6		900253-04010	SCREW 4*10	2
7		130338-32430	PLUG, COVER	1
8		A235-000050	KNOB,CLEANER LID	1
9		V451-000190	SPRING,TENSION	2
10		900330-30120	PIN	4
11		A238-000030	HOLDER,ELEMENT	1
12		A226-000070	ELEMENT,AIR FILTER	1
13		A204-000020	ELBOW,CARBURETOR	1
14		91107-05050	BOLT HSH FLANGE	2
18		130110-19830	PIPE, IMPULSE	1
19		V131-000010	GROMMET,NEEDLE	1
20		A021-001780	CARBURETOR,DIAPHRAGM	1
25		A241-000030	KNOB,CHOKE	1
26		178810-33331	GROMMET, CHOKE	1
27		178114-32630	HOLDER, THR. LEVER	1
28		C454-000181	ROD, THROTTLE	1
29		163400-32430	SWITCH, IGNITION	1
30		890157-19830	LABEL, SWITCH	1
32		156635-32430	PLATE, GROUND	1
33		162021-32431	LEAD	1
35		A220-000012	CASE,CARBURETOR	1
36		V420-000540	CUSHION	1
37		900162-05020	BOLT, H.S. 5*20	4
38		P021-002800	INSULATOR,INTAKE	1
39		V420-000320	CUSHION	1
44		V104-000920	GASKET,EXHAUST	1
45		145510-32431	GASKET, MUFFLER	1
46		A300-000781	MUFFLER, EXHAUST	1
47		900162-05020	BOLT, H.S. 5*20	2
48		900162-05014	BOLT, H.S. 5*14	2
49		145711-32430	BRACKET, MUFFLER	1
50		145813-31730	COVER, MUFFLER	1
54		145861-32430	LID, MUFFLER	1

CS-680 (36)

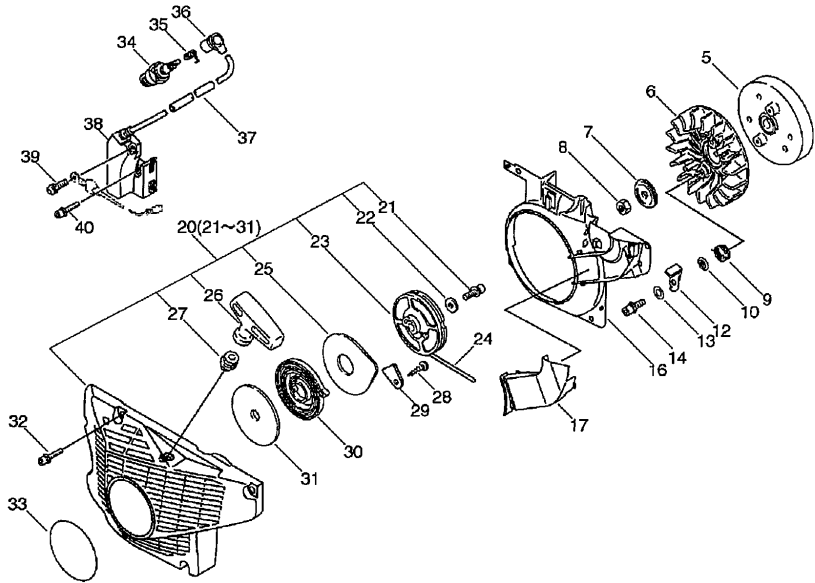
CS-680(36)
Air Cleaner, Carburettor, Muffler

Key	Lv	Part no.	Part description	Quantity
55		900162-04010	BOLT, H.S. 4*10	2



CS-680 (36)

CS-680(36)
Starter, Magneto



CS-680 (36)

PartsList Master - -

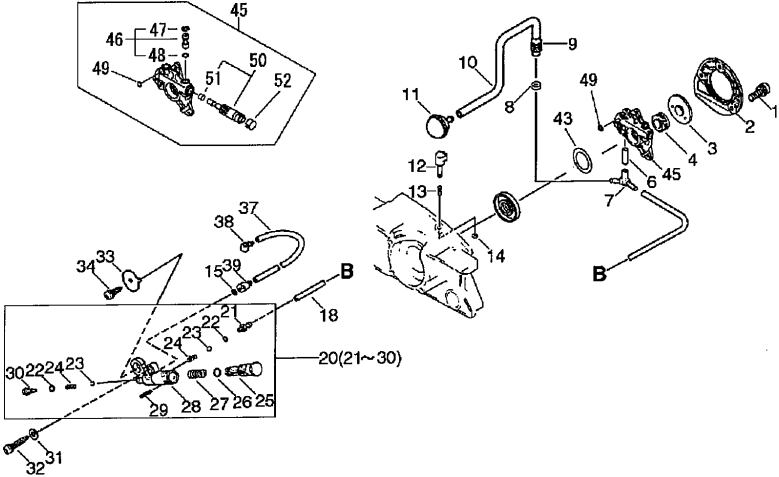
Page 2 of 2

CS-680(36)
Starter, Magneto

Key	Lv	Part no.	Part description	Quantity
5		156800-32631	ROTOR, MAGNETO	1
6		A171-000060	FAN, COOLING	1
7		100143-19830	WASHER	1
8		900500-00008	NUT 8	1
9		177234-19832	SPRING, RETURN	2
10		V353-000192	COLLAR,5	2
12		177218-32631	PAWL, STARTER	2
13		900603-00005	WASHER 5	2
14		V203-000150	BOLT,5	2
16		A172-000130	COVER,FAN	1
17		A161-000020	DUCT,AIR	1
20		P021-002901	STARTER ASY	1
21	+	900162-05014	BOLT, H.S. 5*14	1
22	+	900603-00005	WASHER 5	1
23	+	177215-32330	DRUM, STARTER	1
24	+	177226-07060	ROPE, STARTER	1
25	+	177221-07060	PLATE, STARTER	1
26	+	177228-30830	GRIP, STARTER	1
27	+	177227-10630	GUIDE, ROPE	1
28	+	900253-04008	SCREW 4*8	1
29	+	433144-15130	PLATE,EYE	1
30	+	177220-02834	SPRING, REWIND	1
31	+	177221-02830	PLATE, STARTER	1
32		900162-05020	BOLT, H.S. 5*20	4
33		X502-000460	LABEL,ECHO	1
34		159010-10230	PLUG, SPARK (BPMR-7A	1
35		A426-000010	TERMINAL,SPARKPLUG	1
36		A427-000013	CAP,SPARK PLUG	1
37		156611-19830	TUBE	1
38		156601-32632	COIL, IGNITION	1
39		900242-04008	SCREW	1
40		900162-04020	BOLT, H.S. 4*20	2

CS-680 (36)

CS-680(36)
Manual-Oiler,Auto-Oiler



CS-680 (36)

CS-680(36)
Manual-Oiler,Auto-Oiler

Key	Lv	Part no.	Part description	Quantity
1		900162-04012	BOLT, H.S. 4*12	3
2		437605-32430	COVER, OIL PUMP	1
3		V309-000040	WASHER,CIRCULAR 12	1
4		437063-19930	WORM (P)	1
6		437211-32430	PIPE	1
7		437212-32430	CONNECTOR, OIL PIPE	1
8		132013-26630	CLIP	1
9		132115-12330	GROMMET	1
10		437210-38330	PIPE, OIL	1
11		436205-14730	STRAINER, OIL	1
12		437039-37630	KNOB	1
13		437015-19830	SPRING	1
14		900700-00003	E-RING 3	1
15		900720-00003	O-RING P-3	1
18		437210-15130	PIPE, OIL	1
20		437100-38832	OILER ASY, MANUAL	1
21	+	437118-19830	NIPPLE	1
22	+	437122-03430	O-RING	2
23	+	437012-00330	VALVE, BALL	2
24	+	V450-000290	SPRING,COMPRESSION	2
25	+	437112-38731	PISTON, OIL PUMP	1
26	+	900720-00007	O-RING 7	1
27	+	437111-19830	SPRING	1
28	+	437110-19831	BODY, OIL PUMP	1
29	+	900345-20016	PIN, SPRING 2*16SUS	1
30	+	437121-10130	ADAPTER, OIL PUMP	1
31		900603-00005	WASHER 5	1
32		900252-05020	SCREW 5*20	1
33		437413-19830	BARCKET, OIL PUMP	1
34		900252-04010	SCREW 4*10	1
37		437216-32630	PIPE, OUTLET	1
38		437232-32630	CONNECTOR, OIL PIPE	1
39		437212-32630	CONNECTOR, OIL PIPE	1
43		V540-000210	SEAL,CIRCULAR	1
45		437002-37530	AUTO-OILER ASSY	1
46	+	437009-35430	PIN, CONTROL	1

CS-680(36)
Manual-Oiler,Auto-Oiler

Key	Lv	Part no.	Part description	Quantity
47	++	437065-19830	CLIP	1
48	++	437030-19830	O-RING	1
49	+	900720-00003	O-RING P-3	1
50	+	437006-32330	PLUNGER KIT	1

CS-680 (36)

PartsList Master - -

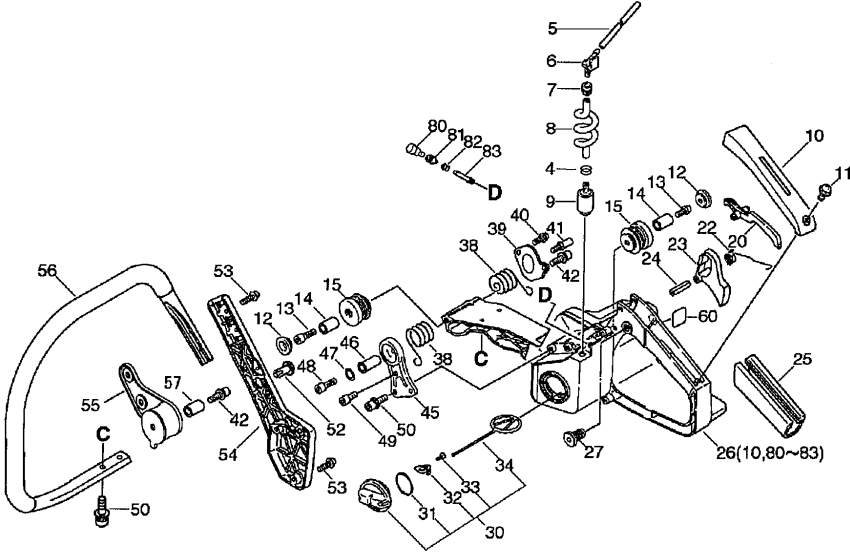
Page 3 of 3

51	++	437020-32430	V-RING	1
52	+	437062-19830	CAP, PLUNGER	1



CS-680 (36)

CS-680(36)
Handle



CS-680 (36)

PartsList Master --

Page 2 of 3

CS-680(36)

Handle

Key	Lv	Part no.	Part description	Quantity
4		132013-26630	CLIP	1
5		132010-56030	PIPE 3*6*110	1
6		132011-19831	CONNECTOR, FUEL PIPE	1
7		132115-01461	GROMMET	1
8		132010-30830	PIPE	1
9		131205-19831	STRAINER, FUEL	1
11		900238-04014	SCREW 4*14	1
12		100918-19830	CAP, CUSHION	2
13		900105-05025	BOLT, H.S. 5*25	2
14		V353-000110	COLLAR,5	2
15		V420-000530	CUSHION	2
20		178090-37930	LOCKOUT, T. CONTROL	1
22		178043-19830	SPRING, THR. RETURN	1
23		C450-000042	TRIGGER, THROTTLE	1
24		900342-50025	PIN, SPRING 5*25	1
25		351111-19830	GRIP, HANDLE	1
26		351103-32433	HANDLE, REAR	1
10	+	351155-35430	COVER, HANDLE (BL)	1
80	+	131300-56430	VALVE, CHECK	1
81	+	131328-40630	COVER, VENT	1
82	+	130111-00530	CLIP	1
83	+	131312-32430	PIPE, VENT	1
27		V162-000040	PLUG	1
30		131004-37631	CAP ASSY, FUEL TANK	1
31	+	900720-20029	O-RING 29	1
32	+	131050-19830	RETAINER, LINK	1
33	+	900246-03008	SCREW 3*8	1
34	+	131051-19830	LINK	1
38		V450-000150	SPRING, COMPRESSION	2
39		V150-000750	PLATE, EYE	1
40		900162-04008	BOLT, H.S. 4*8	1
41		V203-000050	BOLT, 5	1
42		900162-05020	BOLT, H.S. 5*20	1
45		V419-000010	BRACKET, CUSHION	1
46		V353-000120	COLLAR, 5	1
47		900630-00005	WASHER 5	1

CS-680(36)

Handle

Key	Lv	Part no.	Part description	Quantity
48		900105-05035	BOLT, H.S. 5*35	1
49		900105-05008	BOLT, H.S. 5*8	1
50		900162-05014	BOLT, H.S. 5*14	4
52		V649-000010	RIVET	1

CS-680 (36)

53		900238-05020	SCREW 5*20	5
54		351616-38130	BRACKET, HANDLE	1
55		V401-000170	CUSHION,5	1
56		C400-000100	HANDLE,FRONT	1
57		V353-000281	COLLAR,5	1
60		890157-39130	LABEL, SWITCH	1

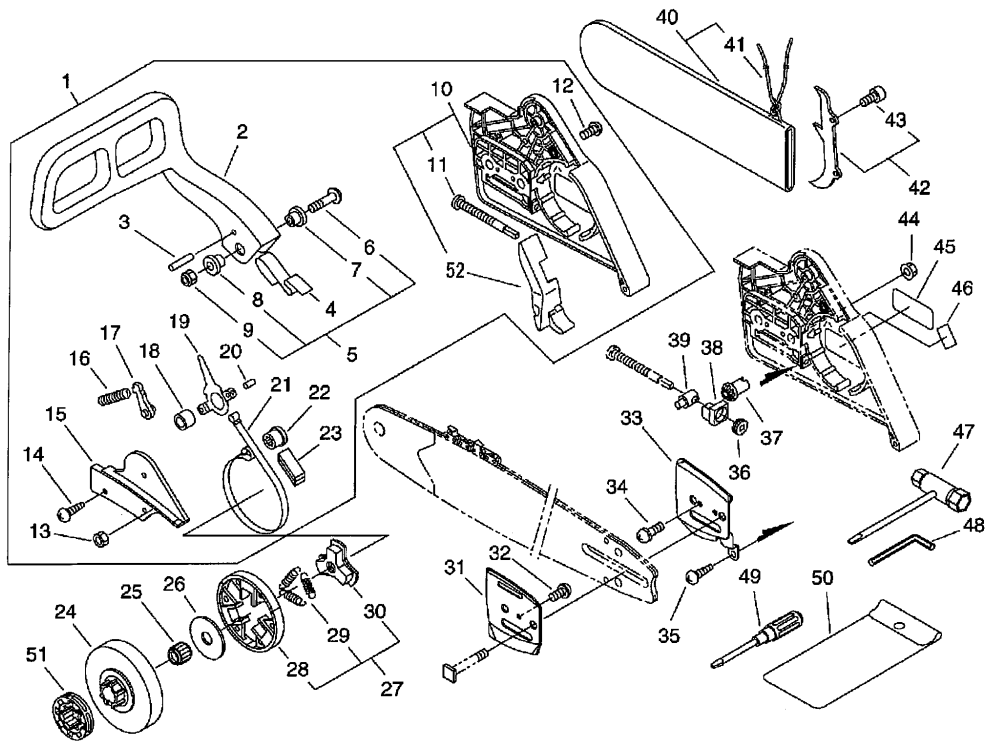


CS-680 (36)

PartsList Master - -

Page 1 of 3

CS-680(36)
Chain Brake Asy, Clutch, Sprocket, Tool



CS-680 (36)

PartsList Master - -

Page 2 of 3

CS-680(36)

Chain Brake Asy, Clutch, Sprocket, Tool

Key	Lv	Part no.	Part description	Quantity
1		P021-010642	BRAKE,ASM CHAIN	1
2	+	433105-38131	LEVER, BRAKE	1
3	+	900330-35260	PIN 3.5*26	1
4	+	433114-38131	SPRING	1
5	+	433113-37539	SCREW KIT	1
6	++	900209-05035	SCREW	1
7	++	433167-39730	COLLAR 5	1
8	++	433167-39130	SPACER	1
9	++	900562-50005	LOCKNUT 5	1
10	+	P021-002286	SPROCKET GUARD	1
11	++	V203-000110	BOLT,5	1
52	++	C302-000000	PAD, GUARD	1
12	+	900220-03018	SCREW (+-SR 3*18)	1
13	+	900500-00003	NUT 3	1
14	+	900252-04012	SCREW 4*12	2
15	+	433310-38130	COVER, BRAKE	1
16	+	433122-38130	SPRING, BRAKE	1
17	+	433209-35430	STOPPER, BRAKE	1
18	+	433116-35430	SPACER 8	1
19	+	433208-35431	LEVER, BRAKE	1
20	+	900330-40088	ROLLER 4*8.8	1
21	+	433123-38131	BAND, BRAKE	1
22	+	433142-35430	ADJUSTER, BRAKE	1
23	+	433312-32630	COVER, SEAL	1
24		175105-32431	DRUM, CLUTCH	1
25		175012-32430	BEARING, NEEDLE	1
26		A551-000051	PLATE,CLUTCH	1
27		A056-000050	CLUTCH	1
28	+	P021-007790	SHOE,CLUTCH	1
29	+	V451-000430	SPRING,TENSION	3
30	+	A552-000040	HUB,CLUTCH	1
31		433013-30830	PLATE, GUIDE (INNER)	1
32		900241-04008	SCREW 4*8	1
33		C305-000040	PLATE,SPROCKET GUARD	1
34		900241-03006	SCREW 3*6	2
35		900253-04010	SCREW 4*10	1

CS-680(36)

Chain Brake Asy, Clutch, Sprocket, Tool

Key	Lv	Part no.	Part description	Quantity
36		V651-000011	GEAR,BEVEL	1
37		V651-000001	GEAR,BEVEL	1
38		V355-000270	COLLAR,8	1
39		C309-000030	TENSIONER,CHAIN	1

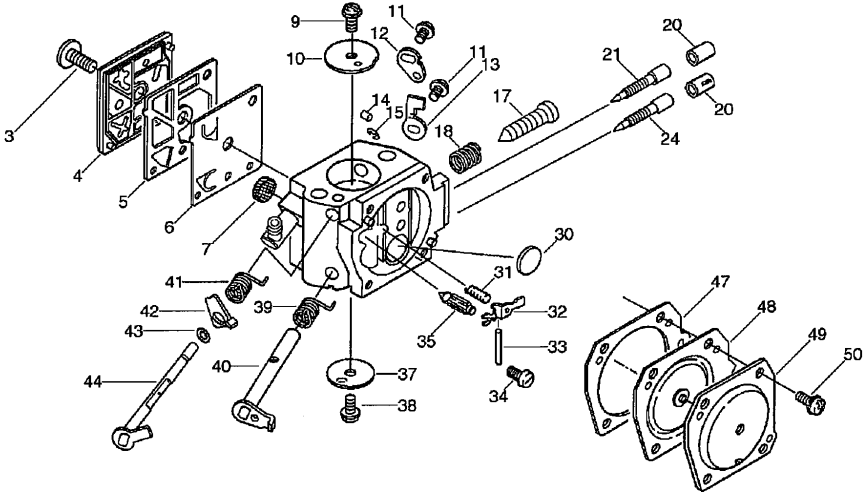
CS-680 (36)

40		898548-14531	SCABBARD, CHAIN	1
41	+	898568-14530	ROPE	1
42		P021-002880	BUMPER,SPIKED	1
43	+	900105-05012	BOLT, H.S. 5*12	2
44		433019-12330	NUT, FLANGE 8	2
45		X502-000560	LABEL,ECHO	1
46		890155-30130	LABEL, CAUTION	1
47		X602-000080	TOOL,WRENCH	1
48		895610-00130	L-WRENCH (4MM)	1
49		895812-03930	DRIVER, SCREW 50	1
50		898510-07130	BAG, TOOL	1
51		175033-14731	SPROCKET, RIM 68210S	1



CS-680 (36)

CS-680(36)
Carburettor



CS-680 (36)

PartsList Master - -

Page 2 of 2

CS-680(36)
Carburettor

Key	Lv	Part no.	Part description	Quantity
		A021-001780	CARBURETOR,DIAPHRAGM	1
3	+	123110-16130	SCREW, PUMP COVER	1
4	+	123124-19830	COVER, FUEL PUMP	1
5	+	123125-12330	GASKET, FUEL PUMP	1
6	+	123112-12330	DIAPHRAGM, FUEL PUMP	1
7	+	123126-10631	SCREEN, INLET	1
9	+	123114-38830	SCREW	1
10	+	123132-32430	VALVE, CHOKE	1
11	+	123114-38830	SCREW	2
12	+	P003-000590	LEVER, CHOKE	1
13	+	123156-30830	STOP, THROTTLE	1
14	+	123178-15030	PLUG, FRICTION	1
15	+	123127-15030	RING	1
17	+	123134-19730	SCREW, IDLE ADJUST	1
18	+	P003-000540	SPRING, IDLE ADJUST	1
20	+	P003-000010	LIMITER CAP	2
21	+	P003-002310	NEEDLE, HIGH SPEED	1
24	+	123118-02261	NEEDLE	1
30	+	123146-10631	PLUG, WELCH	1
31	+	123122-32630	SPRING, METER. LEVER	1
32	+	123123-18330	LEVER, METERING	1
33	+	123138-03930	PIN, METERING LEVER	1
34	+	123139-03930	SCREW, M. LEVER PIN	1
35	+	123137-19830	VALVE, INLET NEEDLE	1
37	+	123132-16130	VALVE, CHOKE	1
38	+	123114-05260	SCREW	1
39	+	P003-000560	SPRING, THRT. RETURN	1
40	+	P003-000550	SHAFT, THROTTLE	1
41	+	P003-000610	SPRING	1
42	+	P003-000620	LEVER-FAST IDLE	1
43	+	123149-26030	WASHER	1
44	+	P003-000600	SHAFT, CHOKE	1
47	+	123140-18331	GASKET, M. DIAPHRAGM	1
48	+	123141-16131	DIAPHRAGM, METERING	1
49	+	123142-17330	COVER, M. DIAPHRAGM	1
50	+	123130-02960	SCREW	4