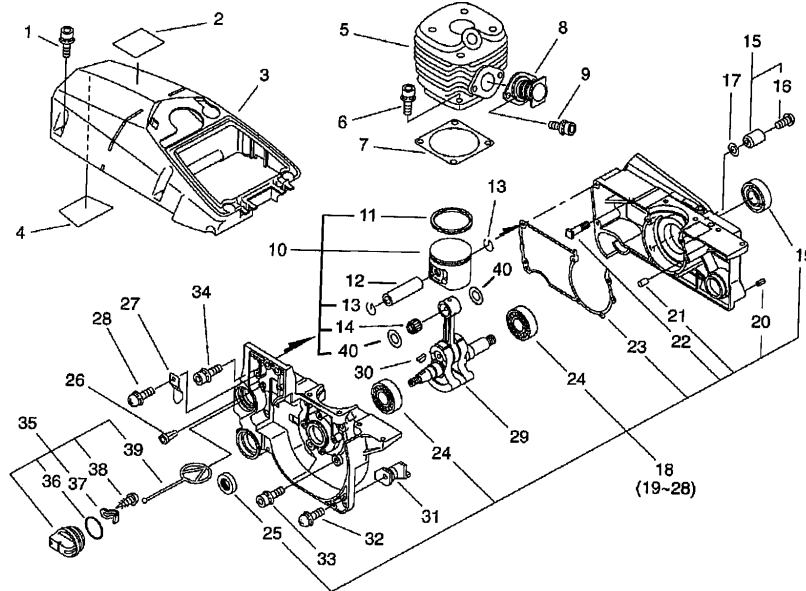


CS-680S (20)

PartsList Master - -

Page 1 of 3

CS-680S(20)
Cylinder, Crankcase, Piston



CS-680S (20)

PartsList Master - -

Page 2 of 3

CS-680S(20)
Cylinder, Crankcase, Piston

| Key | Lv | Part no. | Part description | Quantity |
|-----|----|--------------|---------------------|----------|
| 1 | | 900162-05020 | BOLT, H.S. 5*20 | 5 |
| 2 | | 890345-39230 | LABEL, CAUTION | 1 |
| 3 | | A160-000460 | COVER, CYLINDER | 1 |
| 3 | | A160-000461 | COVER, CYLINDER | 1 |
| 4 | | V341-000010 | WASHER, SQUARE | 1 |
| 5 | | A130-000172 | CYLINDER | 1 |
| 6 | | 900162-05025 | BOLT, H.S. 5*25 | 4 |
| 7 | | 101010-32431 | GASKET, CYL. BASE | 1 |
| 8 | | A202-000010 | BELLOWS, INTAKE | 1 |
| 8 | | A202-000011 | BELLOWS, INTAKE | 1 |
| 9 | | 900162-05014 | BOLT, H.S. 5*14 | 2 |
| 10 | | P021-015290 | PISTON KIT | 1 |
| 11 | + | A101-000150 | RING, PISTON | 1 |
| 12 | + | V610-000000 | PIN, ENG 12 | 1 |
| 13 | + | V580-000000 | RING, END | 2 |
| 14 | + | 100012-32430 | BEARING, NEEDLE | 1 |
| 40 | + | 100014-18430 | SPACER, PISTON PIN | 2 |
| 15 | | 433000-19831 | CATCHER KIT, CHAIN | 1 |
| 16 | + | 900220-05018 | SCREW 5*18 | 1 |
| 17 | | 900600-00005 | WASHER 5 | 1 |
| 18 | | 100204-32435 | CRANKCASE KIT | 1 |
| 19 | + | 100212-32430 | OILSEAL (L) | 1 |
| 20 | + | 900345-50010 | PIN, SPRING 5*10SUS | 1 |
| 21 | + | 100215-02830 | PIN, DOWEL | 2 |
| 22 | + | 433011-19830 | STUD, GUIDE BAR | 2 |
| 23 | + | 100242-32430 | GASKET, CRANKCASE | 1 |
| 24 | + | 900810-36202 | BEARING, BALL 6202 | 2 |
| 25 | + | 100212-19830 | OILSEAL | 1 |
| 26 | + | 436114-13930 | VALVE, CHECK | 1 |
| 27 | + | V150-000570 | PLATE, EYE | 1 |
| 28 | + | 900242-04008 | SCREW | 1 |
| 29 | | A011-000250 | CRANKSHAFT, ASM | 1 |
| 30 | | 100142-30830 | KEY, WOODRUFF | 1 |
| 31 | | V401-000060 | CUSHION, 5 | 1 |
| 32 | | 900238-05014 | SCREW 5*14 | 1 |
| 33 | | 900162-05035 | BOLT, H.S. 5*35 | 4 |

CS-680S(20)
Cylinder, Crankcase, Piston

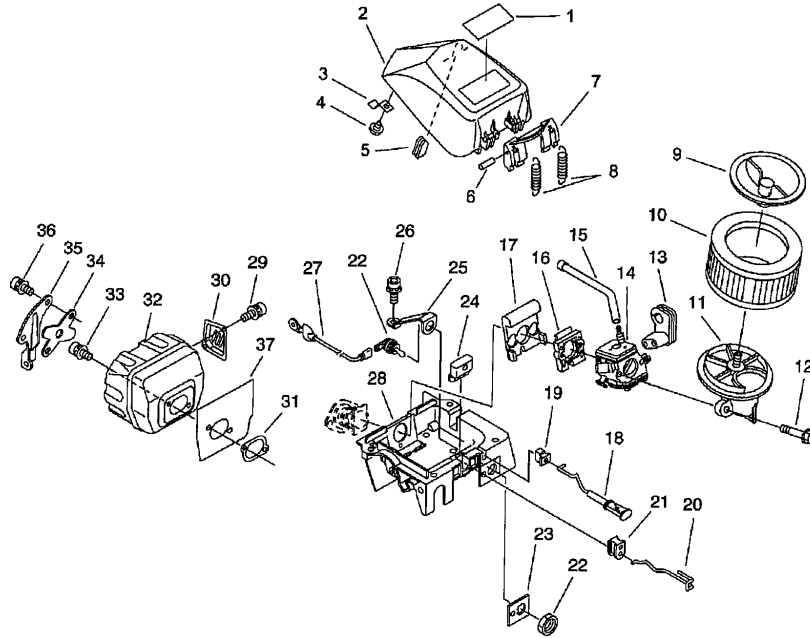
| Key | Lv | Part no. | Part description | Quantity |
|-----|----|--------------|--------------------|----------|
| 34 | | 900162-05020 | BOLT, H.S. 5*20 | 2 |
| 35 | | 436001-37933 | CAP ASSY, OIL TANK | 1 |
| 36 | + | 900725-02025 | O-RING | 1 |
| 37 | + | 131050-19830 | RETAINER, LINK | 1 |

CS-680S (20)

PartsList Master - -

Page 1 of 3

CS-680S(20)
Air Cleaner, Carburetor, Muffler



CS-680S (20)

PartsList Master - -

Page 2 of 3

CS-680S(20)
Air Cleaner, Carburetor, Muffler

| Key | Lv | Part no. | Part description | Quantity |
|-----|----|--------------|----------------------|----------|
| 1 | | X503-009351 | LABEL,MODEL | 1 |
| 2 | | A232-000350 | LID,CLEANER | 1 |
| 3 | | V453-000040 | SPRING,FLAT | 2 |
| 4 | | 900253-04010 | SCREW 4*10 | 2 |
| 5 | | 130338-32430 | PLUG, COVER | 1 |
| 6 | | 900330-30120 | PIN | 4 |
| 7 | | A235-000170 | KNOB,CLEANER LID | 1 |
| 8 | | V451-000190 | SPRING,TENSION | 2 |
| 9 | | A238-000030 | HOLDER,ELEMENT | 1 |
| 10 | | A226-000070 | ELEMENT,AIR FILTER | 1 |
| 11 | | A204-000020 | ELBOW,CARBURETOR | 1 |
| 12 | | 91107-05050 | BOLT HSH FLANGE | 2 |
| 13 | | V131-000000 | GROMMET,NEEDLE | 1 |
| 14 | | A021-001680 | CARBURETOR,DIAPHRAGM | 1 |
| 15 | | 130110-19830 | PIPE, IMPULSE | 1 |
| 16 | | P021-002800 | INSULATOR,INTAKE | 1 |
| 17 | | V420-000320 | CUSHION | 1 |
| 18 | | A241-000030 | KNOB,CHOKE | 1 |
| 19 | | 178810-33331 | GROMMET, CHOKE | 1 |
| 20 | | C454-000180 | ROD, THROTTLE | 1 |
| 21 | | 178114-32630 | HOLDER, THR. LEVER | 1 |
| 22 | | 163400-32430 | SWITCH, IGNITION | 1 |
| 23 | | 890157-19830 | LABEL, SWITCH | 1 |
| 24 | | V420-000540 | CUSHION | 1 |
| 25 | | 156635-32430 | PLATE, GROUND | 1 |
| 26 | | 900162-05020 | BOLT, H.S. 5*20 | 4 |
| 27 | | 162021-32430 | LEAD | 1 |
| 27 | | 162021-32431 | LEAD | 1 |
| 28 | | A220-000012 | CASE,CARBURETOR | 1 |
| 29 | | 900162-04010 | BOLT, H.S. 4*10 | 2 |
| 30 | | 145861-32430 | LID, MUFFLER | 1 |
| 31 | | 145510-32431 | GASKET, MUFFLER | 1 |
| 32 | | A300-000781 | MUFFLER, EXHAUST | 1 |
| 33 | | 900162-05020 | BOLT, H.S. 5*20 | 2 |
| 34 | | 145813-31730 | COVER, MUFFLER | 1 |
| 35 | | 145711-32430 | BRACKET, MUFFLER | 1 |

CS-680S (20)

CS-680S(20)
Air Cleaner, Carburetor, Muffler

| Key | Lv | Part no. | Part description | Quantity |
|-----|----|--------------|------------------|----------|
| 36 | | 900162-05014 | BOLT, H.S. 5*14 | 2 |
| 37 | | V104-000920 | GASKET,EXHAUST | 1 |



CS-680S (20)

| | | | | |
|----|---|--------------|-----------|---|
| 38 | + | 900246-03008 | SCREW 3*8 | 1 |
| 39 | + | 131051-19830 | LINK | 1 |

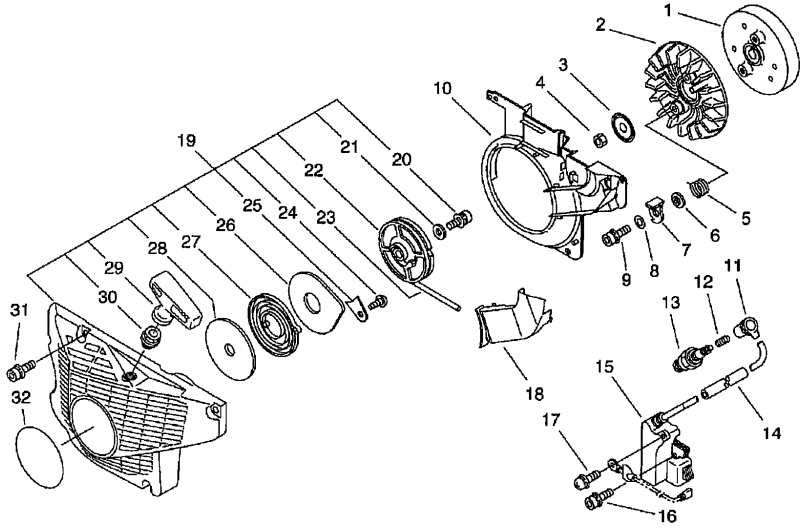


CS-680S (20)

PartsList Master - -

Page 1 of 2

CS-680S(20)
Starter, Magneto



CS-680S (20)

PartsList Master - -

Page 2 of 2

CS-680S(20)
Starter, Magneto

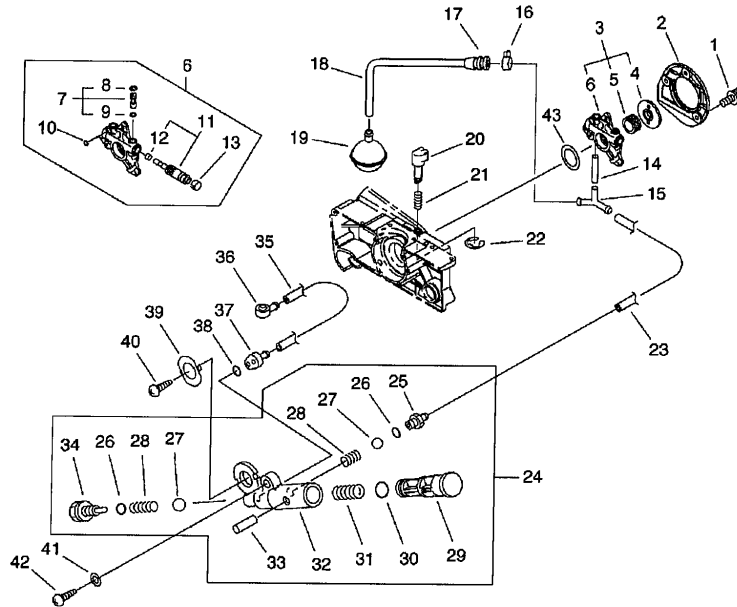
| Key | Lv | Part no. | Part description | Quantity |
|-----|----|--------------|----------------------|----------|
| 1 | | 156800-32631 | ROTOR, MAGNETO | 1 |
| 2 | | A171-000060 | FAN, COOLING | 1 |
| 3 | | 100143-19830 | WASHER | 1 |
| 4 | | 900500-00008 | NUT 8 | 1 |
| 5 | | 177234-19832 | SPRING, RETURN | 2 |
| 6 | | V353-000191 | COLLAR,5 | 2 |
| 6 | | V353-000192 | COLLAR,5 | 2 |
| 7 | | 177218-32631 | PAWL, STARTER | 2 |
| 8 | | 900603-00005 | WASHER 5 | 2 |
| 9 | | V203-000150 | BOLT,5 | 2 |
| 10 | | A172-000850 | COVER,FAN | 1 |
| 11 | | A427-000013 | CAP,SPARK PLUG | 1 |
| 12 | | A426-000010 | TERMINAL,SPARKPLUG | 1 |
| 13 | | 159010-10630 | PLUG, SPARK (BPM-7A) | 1 |
| 14 | | 156611-19830 | TUBE | 1 |
| 15 | | 156601-32632 | COIL, IGNITION | 1 |
| 16 | | 900162-04020 | BOLT, H.S. 4*20 | 2 |
| 17 | | 900242-04008 | SCREW | 1 |
| 18 | | A161-000020 | DUCT,AIR | 1 |
| 19 | | P021-002901 | STARTER ASY | 1 |
| 20 | + | 900162-05014 | BOLT, H.S. 5*14 | 1 |
| 21 | + | 900603-00005 | WASHER 5 | 1 |
| 22 | + | 177215-32330 | DRUM, STARTER | 1 |
| 23 | + | 177226-07060 | ROPE, STARTER | 1 |
| 24 | + | 900253-04008 | SCREW 4*8 | 1 |
| 25 | + | 433144-15130 | PLATE,EYE | 1 |
| 26 | + | 177221-07060 | PLATE, STARTER | 1 |
| 27 | + | 177220-02834 | SPRING, REWIND | 1 |
| 28 | + | 177221-02830 | PLATE, STARTER | 1 |
| 29 | + | 177228-30830 | GRIP, STARTER | 1 |
| 30 | + | 177227-10630 | GUIDE, ROPE | 1 |
| 31 | | 900162-05020 | BOLT, H.S. 5*20 | 4 |
| 32 | | X502-000460 | LABEL,ECHO | 1 |

CS-680S (20)

PartsList Master - -

Page 1 of 3

CS-680S(20)
Auto-Oiler(Sr/Nr 20003475 and before)



CS-680S (20)

PartsList Master - -

Page 2 of 3

CS-680S(20)
Auto-Oiler(Sr/Nr 20003475 and before)

| Key | Lv | Part no. | Part description | Quantity |
|-----|-----|--------------|---------------------|----------|
| 1 | | 900162-04012 | BOLT, H.S. 4*12 | 3 |
| 2 | | 437605-32430 | COVER, OIL PUMP | 1 |
| 3 | | 437000-37530 | AUTO-OILER ASSY | 1 |
| 4 | + | V309-000040 | WASHER, CIRCULAR 12 | 1 |
| 5 | + | 437063-19930 | WORM (P) | 1 |
| 6 | + | 437002-37530 | AUTO-OILER ASSY | 1 |
| 7 | ++ | 437009-35430 | PIN, CONTROL | 1 |
| 8 | +++ | 437065-19830 | CLIP | 1 |
| 9 | +++ | 437030-19830 | O-RING | 1 |
| 10 | ++ | 900720-00003 | O-RING P-3 | 1 |
| 11 | ++ | 437006-32330 | PLUNGER KIT | 1 |
| 12 | +++ | 437020-32430 | V-RING | 1 |
| 13 | ++ | 437062-19830 | CAP, PLUNGER | 1 |
| 14 | | 437211-32430 | PIPE | 1 |
| 15 | | 437212-32430 | CONNECTOR, OIL PIPE | 1 |
| 16 | | 132013-26630 | CLIP | 1 |
| 17 | | 132115-12330 | GROMMET | 1 |
| 18 | | 437210-38330 | PIPE, OIL | 1 |
| 19 | | 436205-14730 | STRAINER, OIL | 1 |
| 20 | | 437039-37630 | KNOB | 1 |
| 21 | | 437015-19830 | SPRING | 1 |
| 22 | | 900700-00003 | E-RING 3 | 1 |
| 23 | | 437210-15130 | PIPE, OIL | 1 |
| 24 | | 437100-38832 | OILER ASY, MANUAL | 1 |
| 25 | + | 437118-19830 | NIPPLE | 1 |
| 26 | + | 437122-03430 | O-RING | 2 |
| 27 | + | 437012-00330 | VALVE, BALL | 2 |
| 28 | + | V450-000290 | SPRING, COMPRESSION | 2 |
| 29 | + | 437112-38731 | PISTON, OIL PUMP | 1 |
| 30 | + | 900720-00007 | O-RING 7 | 1 |
| 31 | + | 437111-19830 | SPRING | 1 |
| 32 | + | 437110-19831 | BODY, OIL PUMP | 1 |
| 33 | + | 900345-20016 | PIN, SPRING 2*16SUS | 1 |
| 34 | + | 437121-10130 | ADAPTER, OIL PUMP | 1 |
| 35 | | 437216-32630 | PIPE, OUTLET | 1 |
| 36 | | 437232-32630 | CONNECTOR, OIL PIPE | 1 |

CS-680S(20)
Auto-Oiler(Sr/Nr 20003475 and before)

| Key | Lv | Part no. | Part description | Quantity |
|-----|----|--------------|---------------------|----------|
| 37 | | 437212-32630 | CONNECTOR, OIL PIPE | 1 |
| 38 | | 900720-00003 | O-RING P-3 | 2 |
| 39 | | 437413-19830 | BARCKET, OIL PUMP | 1 |
| 40 | | 900252-04010 | SCREW 4*10 | 1 |

CS-680S (20)

| | | | | |
|----|--|--------------|---------------|---|
| 41 | | 900603-00005 | WASHER 5 | 1 |
| 42 | | 900252-05020 | SCREW 5*20 | 1 |
| 43 | | V540-000210 | SEAL,CIRCULAR | 1 |

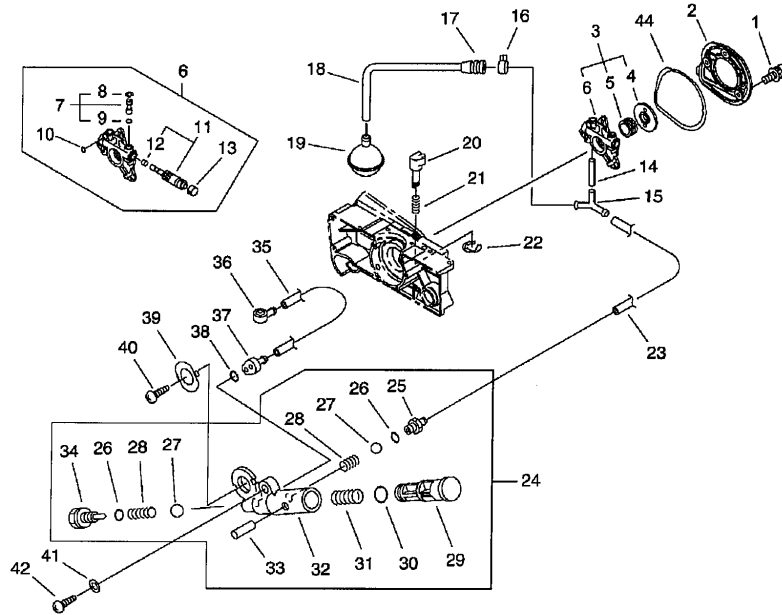


CS-680S (20)

PartsList Master - -

Page 1 of 3

CS-680S(20)
Auto-Oiler(Sr/Nr 20003476 and after)



CS-680S (20)

PartsList Master - -

Page 2 of 3

CS-680S(20)
Auto-Oiler(Sr/Nr 20003476 and after)

| Key | Lv | Part no. | Part description | Quantity |
|-----|-----|--------------|---------------------|----------|
| 1 | | 900162-04012 | BOLT, H.S. 4*12 | 3 |
| 2 | | C236-000000 | COVER,OILER | 1 |
| 3 | | 437000-37530 | AUTO-OILER ASSY | 1 |
| 4 | + | V309-000040 | WASHER,CIRCULAR 12 | 1 |
| 5 | + | 437063-19930 | WORM (P) | 1 |
| 6 | + | 437002-37530 | AUTO-OILER ASSY | 1 |
| 7 | ++ | 437009-35430 | PIN, CONTROL | 1 |
| 8 | +++ | 437065-19830 | CLIP | 1 |
| 9 | +++ | 437030-19830 | O-RING | 1 |
| 10 | ++ | 900720-00003 | O-RING P-3 | 1 |
| 11 | ++ | 437006-32330 | PLUNGER KIT | 1 |
| 12 | +++ | 437020-32430 | V-RING | 1 |
| 13 | ++ | 437062-19830 | CAP, PLUNGER | 1 |
| 14 | | 437211-32430 | PIPE | 1 |
| 15 | | 437212-32430 | CONNECTOR, OIL PIPE | 1 |
| 16 | | 132013-26630 | CLIP | 1 |
| 17 | | 132115-12330 | GROMMET | 1 |
| 18 | | 437210-38330 | PIPE, OIL | 1 |
| 19 | | 436205-14730 | STRAINER, OIL | 1 |
| 20 | | 437039-37630 | KNOB | 1 |
| 21 | | 437015-19830 | SPRING | 1 |
| 22 | | 900700-00003 | E-RING 3 | 1 |
| 23 | | 437210-15130 | PIPE, OIL | 1 |
| 24 | | 437100-38832 | OILER ASY, MANUAL | 1 |
| 25 | + | 437118-19830 | NIPPLE | 1 |
| 26 | + | 437122-03430 | O-RING | 2 |
| 27 | + | 437012-00330 | VALVE, BALL | 2 |
| 28 | + | V450-000290 | SPRING,COMPRESSION | 2 |
| 29 | + | 437112-38731 | PISTON, OIL PUMP | 1 |
| 30 | + | 900720-00007 | O-RING 7 | 1 |
| 31 | + | 437111-19830 | SPRING | 1 |
| 32 | + | 437110-19831 | BODY, OIL PUMP | 1 |
| 33 | + | 900345-20016 | PIN, SPRING 2*16SUS | 1 |
| 34 | + | 437121-10130 | ADAPTER, OIL PUMP | 1 |
| 35 | | 437216-32630 | PIPE, OUTLET | 1 |
| 36 | | 437232-32630 | CONNECTOR, OIL PIPE | 1 |

CS-680S(20)
Auto-Oiler(Sr/Nr 20003476 and after)

| Key | Lv | Part no. | Part description | Quantity |
|-----|----|--------------|---------------------|----------|
| 37 | | 437212-32630 | CONNECTOR, OIL PIPE | 1 |
| 38 | | 900720-00003 | O-RING P-3 | 2 |
| 39 | | 437413-19830 | BARCKET, OIL PUMP | 1 |
| 40 | | 900252-04010 | SCREW 4*10 | 1 |

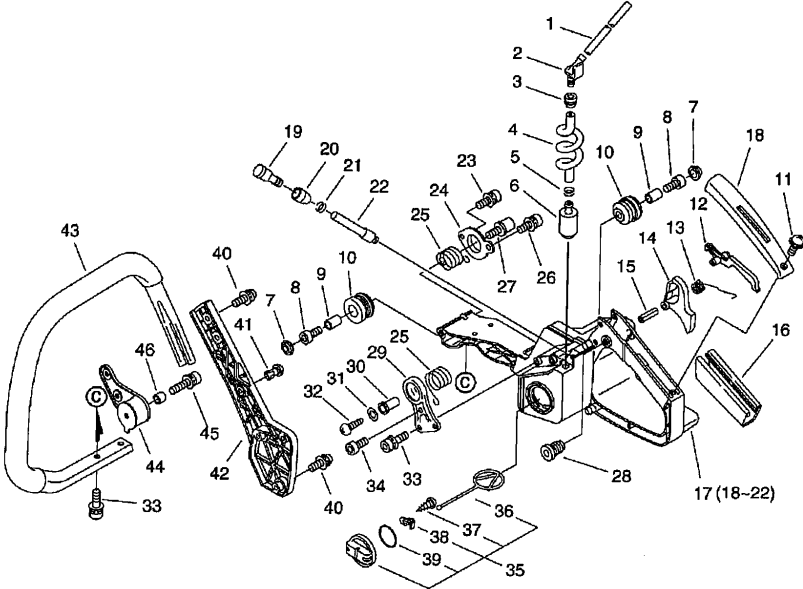
CS-680S (20)

| | | | |
|----|--------------|------------------|---|
| 41 | 900603-00005 | WASHER 5 | 1 |
| 42 | 900252-05020 | SCREW 5*20 | 1 |
| 44 | V111-000040 | GASKET,PUMP CASE | 1 |



CS-680S (20)

CS-680S(20)
Handle



CS-680S (20)

PartsList Master - -

Page 2 of 3

CS-680S(20)

Handle

| Key | Lv | Part no. | Part description | Quantity |
|-----|----|--------------|----------------------|----------|
| 1 | | 132010-56030 | PIPE 3*6*110 | 1 |
| 2 | | 132011-19831 | CONNECTOR, FUEL PIPE | 1 |
| 3 | | 132115-01461 | GROMMET | 1 |
| 4 | | 132010-30830 | PIPE | 1 |
| 5 | | 132013-26630 | CLIP | 1 |
| 6 | | 131205-19830 | STRAINER, FUEL | 1 |
| 6 | | 131205-19831 | STRAINER, FUEL | 1 |
| 7 | | 100918-19830 | CAP, CUSHION | 2 |
| 8 | | 900105-05025 | BOLT, H.S. 5*25 | 2 |
| 9 | | V353-000110 | COLLAR,5 | 2 |
| 10 | | V420-000530 | CUSHION | 2 |
| 11 | | 900238-04014 | SCREW 4*14 | 1 |
| 12 | | 178090-37930 | LOCKOUT, T. CONTROL | 1 |
| 13 | | 178043-19830 | SPRING, THR. RETURN | 1 |
| 14 | | C450-000042 | TRIGGER, THROTTLE | 1 |
| 15 | | 900342-50025 | PIN, SPRING 5*25 | 1 |
| 16 | | 351111-19830 | GRIP, HANDLE | 1 |
| 17 | | 351103-32433 | HANDLE, REAR | 1 |
| 18 | + | 351155-35430 | COVER, HANDLE (BL) | 1 |
| 19 | + | 131300-56430 | VALVE, CHECK | 1 |
| 20 | + | 131328-40630 | COVER, VENT | 1 |
| 21 | + | 130111-00530 | CLIP | 1 |
| 22 | + | 131312-32430 | PIPE, VENT | 1 |
| 23 | | 900162-04008 | BOLT, H.S. 4*8 | 1 |
| 24 | | V150-000750 | PLATE, EYE | 1 |
| 25 | | V450-000150 | SPRING, COMPRESSION | 2 |
| 26 | | 900162-05014 | BOLT, H.S. 5*14 | 1 |
| 27 | | V203-000050 | BOLT, 5 | 1 |
| 28 | | V162-000040 | PLUG | 1 |
| 29 | | V419-000010 | BRACKET, CUSHION | 1 |
| 30 | | V353-000120 | COLLAR, 5 | 1 |
| 31 | | 900630-00005 | WASHER 5 | 1 |
| 32 | | 900105-05035 | BOLT, H.S. 5*35 | 1 |
| 33 | | 900162-05014 | BOLT, H.S. 5*14 | 4 |
| 34 | | 900105-05008 | BOLT, H.S. 5*8 | 1 |
| 35 | | 131004-37631 | CAP ASSY, FUEL TANK | 1 |

CS-680S(20)

Handle

| Key | Lv | Part no. | Part description | Quantity |
|-----|----|--------------|------------------|----------|
| 36 | + | 131051-19830 | LINK | 1 |
| 37 | + | 900246-03008 | SCREW 3*8 | 1 |
| 38 | + | 131050-19830 | RETAINER, LINK | 1 |
| 39 | + | 900720-20029 | O-RING 29 | 1 |
| | | | | |

CS-680S (20)

PartsList Master - -

Page 3 of 3

| | | | |
|----|--------------|-----------------|---|
| 40 | 900238-05020 | SCREW 5*20 | 5 |
| 41 | V649-000010 | RIVET | 1 |
| 42 | 351616-38130 | BRACKET, HANDLE | 1 |
| 43 | C400-000100 | HANDLE,FRONT | 1 |
| 44 | V401-000050 | CUSHION,5 | 1 |
| 45 | 900162-05020 | BOLT, H.S. 5*20 | 1 |
| 46 | V353-000280 | COLLAR,5 | 1 |

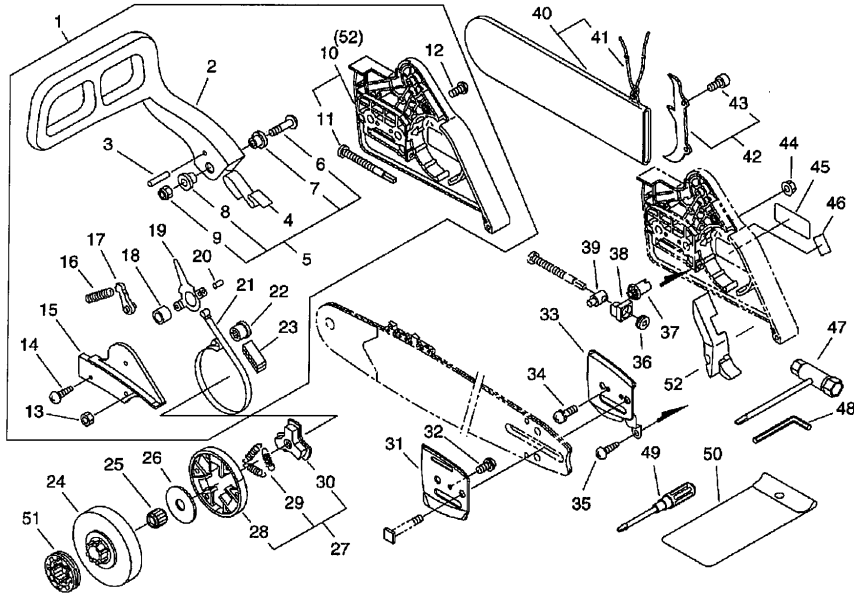


CS-680S (20)

PartsList Master --

Page 1 of 3

CS-680S(20)
Clutch, Sprocket, Tools



CS-680S (20)

PartsList Master - -

Page 2 of 3

CS-680S(20)
Clutch, Sprocket, Tools

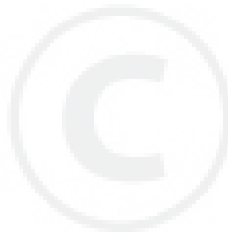
| Key | Lv | Part no. | Part description | Quantity |
|-----|----|--------------|----------------------|----------|
| 1 | | P021-010642 | BRAKE,ASM CHAIN | 1 |
| 2 | + | 433105-38131 | LEVER, BRAKE | 1 |
| 3 | + | 900330-35260 | PIN 3.5*26 | 1 |
| 4 | + | 433114-38131 | SPRING | 1 |
| 5 | + | 433113-37539 | SCREW KIT | 1 |
| 6 | ++ | 900209-05035 | SCREW | 1 |
| 7 | ++ | 433167-39730 | COLLAR 5 | 1 |
| 8 | ++ | 433167-39130 | SPACER | 1 |
| 9 | ++ | 900562-50005 | LOCKNUT 5 | 1 |
| 10 | + | P021-002286 | SPROCKET GUARD | 1 |
| 11 | ++ | V203-000110 | BOLT,5 | 1 |
| 52 | ++ | C302-000000 | PAD, GUARD | 1 |
| 12 | + | 900220-03018 | SCREW (+-SR 3*18) | 1 |
| 13 | + | 900500-00003 | NUT 3 | 1 |
| 14 | + | 900252-04012 | SCREW 4*12 | 2 |
| 15 | + | 433310-38130 | COVER, BRAKE | 1 |
| 16 | + | 433122-38130 | SPRING, BRAKE | 1 |
| 17 | + | 433209-35430 | STOPPER, BRAKE | 1 |
| 18 | + | 433116-35430 | SPACER 8 | 1 |
| 19 | + | 433208-35431 | LEVER, BRAKE | 1 |
| 20 | + | 900330-40088 | ROLLER 4*8.8 | 1 |
| 21 | + | 433123-38131 | BAND, BRAKE | 1 |
| 22 | + | 433142-35430 | ADJUSTER, BRAKE | 1 |
| 23 | + | 433312-32630 | COVER, SEAL | 1 |
| 24 | | 175105-32431 | DRUM, CLUTCH | 1 |
| 25 | | 175012-32430 | BEARING, NEEDLE | 1 |
| 26 | | A551-000051 | PLATE,CLUTCH | 1 |
| 27 | | A056-000050 | CLUTCH | 1 |
| 28 | + | P021-007790 | SHOE,CLUTCH | 1 |
| 29 | + | V451-000430 | SPRING,TENSION | 3 |
| 30 | + | A552-000040 | HUB,CLUTCH | 1 |
| 31 | | 433013-30830 | PLATE, GUIDE (INNER) | 1 |
| 32 | | 900241-04008 | SCREW 4*8 | 1 |
| 33 | | C305-000040 | PLATE,SPROCKET GUARD | 1 |
| 34 | | 900241-03006 | SCREW 3*6 | 2 |
| 35 | | 900253-04010 | SCREW 4*10 | 1 |

CS-680S(20)
Clutch, Sprocket, Tools

| Key | Lv | Part no. | Part description | Quantity |
|-----|----|-------------|------------------|----------|
| 36 | | V651-000011 | GEAR,BEVEL | 1 |
| 37 | | V651-000001 | GEAR,BEVEL | 1 |
| 38 | | V355-000270 | COLLAR,8 | 1 |
| 39 | | C309-000030 | TENSIONER,CHAIN | 1 |

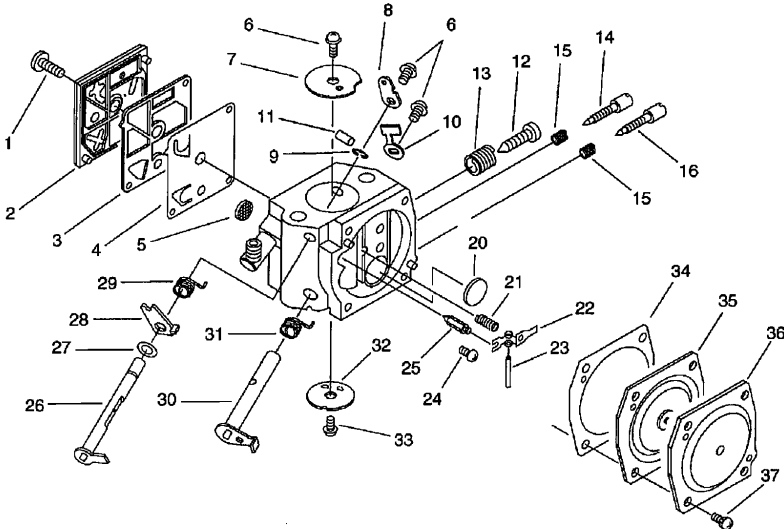
CS-680S (20)

| | | | | |
|----|---|--------------|----------------------|---|
| 40 | | 898548-14531 | SCABBARD, CHAIN | 1 |
| 41 | + | 898568-14530 | ROPE | 1 |
| 42 | | P021-002880 | BUMPER,SPIKED | 1 |
| 43 | + | 900105-05012 | BOLT, H.S. 5*12 | 2 |
| 44 | | 433019-12330 | NUT, FLANGE 8 | 2 |
| 45 | | X502-000560 | LABEL,ECHO | 1 |
| 46 | | 890155-30130 | LABEL, CAUTION | 1 |
| 47 | | 895410-02830 | WRENCH, W/S. DRIVER | 1 |
| 47 | | X602-000080 | TOOL,WRENCH | 1 |
| 48 | | 895610-00130 | L-WRENCH (4MM) | 1 |
| 49 | | 895812-03930 | DRIVER, SCREW 50 | 1 |
| 50 | | 898510-39130 | BAG, TOOL | 1 |
| 51 | | 175033-14731 | SPROCKET, RIM 68210S | 1 |



CS-680S (20)

CS-680S(20)
Carburettor



CS-680S (20)

PartsList Master - -

Page 2 of 2

CS-680S(20)
Carburettor

| Key | Lv | Part no. | Part description | Quantity |
|-----|----|--------------|----------------------|----------|
| | | A021-001680 | CARBURETOR,DIAPHRAGM | 1 |
| 1 | + | 123110-16130 | SCREW, PUMP COVER | 1 |
| 2 | + | 123124-19830 | COVER, FUEL PUMP | 1 |
| 3 | + | 123125-12330 | GASKET, FUEL PUMP | 1 |
| 4 | + | 123112-12330 | DIAPHRAGM, FUEL PUMP | 1 |
| 5 | + | 123126-10631 | SCREEN, INLET | 1 |
| 6 | + | 123114-38830 | SCREW | 3 |
| 7 | + | 123132-32430 | VALVE, CHOKE | 1 |
| 8 | + | P003-000590 | LEVER, CHOKE | 1 |
| 9 | + | 123127-15030 | RING | 1 |
| 10 | + | 123156-12330 | STOP, THROTTLE | 1 |
| 11 | + | 123178-15030 | PLUG, FRICTION | 1 |
| 12 | + | 123134-19730 | SCREW, IDLE ADJUST | 1 |
| 13 | + | P003-000540 | SPRING, IDLE ADJUST | 1 |
| 14 | + | P003-002210 | NEEDLE-HIGH SPEED | 1 |
| 15 | + | 123121-16130 | SPRING, NEEDLE | 2 |
| 16 | + | P003-000570 | NEEDLE, IDLE | 1 |
| 20 | + | 123146-10631 | PLUG, WELCH | 1 |
| 21 | + | 123122-32630 | SPRING, METER. LEVER | 1 |
| 22 | + | 123123-18330 | LEVER, METERING | 1 |
| 23 | + | 123138-03930 | PIN, METERING LEVER | 1 |
| 24 | + | 123139-03930 | SCREW, M. LEVER PIN | 1 |
| 25 | + | 123137-19830 | VALVE, INLET NEEDLE | 1 |
| 26 | + | P003-000600 | SHAFT, CHOKE | 1 |
| 27 | + | 123149-26030 | WASHER | 1 |
| 28 | + | P003-000620 | LEVER-FAST IDLE | 1 |
| 29 | + | P003-000610 | SPRING | 1 |
| 30 | + | P003-000550 | SHAFT, THROTTLE | 1 |
| 31 | + | P003-000560 | SPRING, THRT. RETURN | 1 |
| 32 | + | 123132-16130 | VALVE, CHOKE | 1 |
| 33 | + | 123114-05260 | SCREW | 1 |
| 34 | + | 123140-18330 | GASKET, M. DIAPHRAGM | 1 |
| 35 | + | 123141-16131 | DIAPHRAGM, METERING | 1 |
| 36 | + | 123142-17330 | COVER, M. DIAPHRAGM | 1 |
| 37 | + | 123130-02960 | SCREW | 4 |