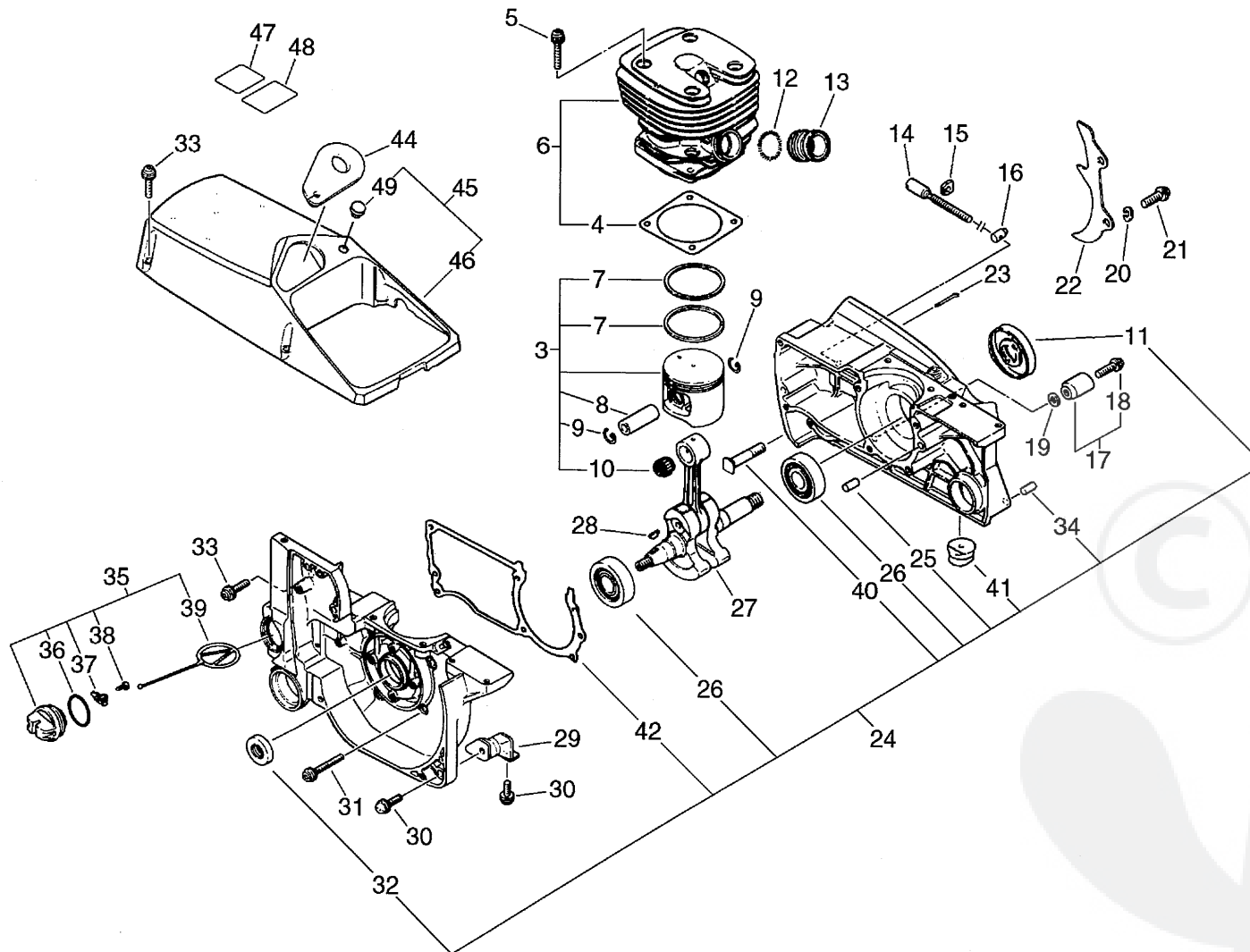


No.1



P a r t s L i s t

Date:23/02/2011 Page: 1

Group:Chain Saws Model:CS-8000 Section:Cylinder, Crankcase, Piston(1)

Key	Lv	Part Number	Q'ty	Description	Remarks	Note
5		900281-06025	4	SCREW 6*25	Sus. by 900162-06025	
5		900162-06025	4	BOLT, H.S. 6*25		
6		101001-30832	1	CYLINDER ASY	Sus. by 101001-30833	
6		101001-30833	1	CYLINDER ASY		
4 +		101010-30830	1	GASKET, CYL. BASE		
3		100000-30830	1	PISTON KIT	Sus. by 100000-30832	
3		100000-30831	1	PISTON KIT	Sus. by 100000-30832	
3		100000-30832	1	PISTON KIT		
7 +		100011-30831	2	RING, PISTON		
8 +		100013-30830	1	PIN, PISTON		
9 +		100015-30830	2	CIRCLIP, PISTON PIN		
10 +		100012-30830	1	BEARING, NEEDLE		
12		130516-30830	1	BAND		
13		130510-30830	1	ADAPTER, INTAKE		
14		433016-11031	1	SCREW, TENSIONER		
15		433028-11030	1	CLIP		
16		433014-02830	1	TENSIONER		
17		433000-19831	1	CATCHER KIT, CHAIN		
18 +		900162-05020	1	BOLT, H.S. 5*20		
19		900600-00005	1	WASHER 5		
20		900605-00006	2	WASHER, SPRING 6		
21		900105-06020	2	BOLT, H.S. 6*20		
22		880210-30830	1	BUMPER, SPIKED		
24		100204-30832	1	CRANKCASE KIT		
11 +		100213-30830	1	OILSEAL		
23 +		436114-13930	1	VALVE, CHECK		
25 +		100215-02830	2	PIN, DOWEL		
26 +		900810-36203	2	BEARING, BALL		

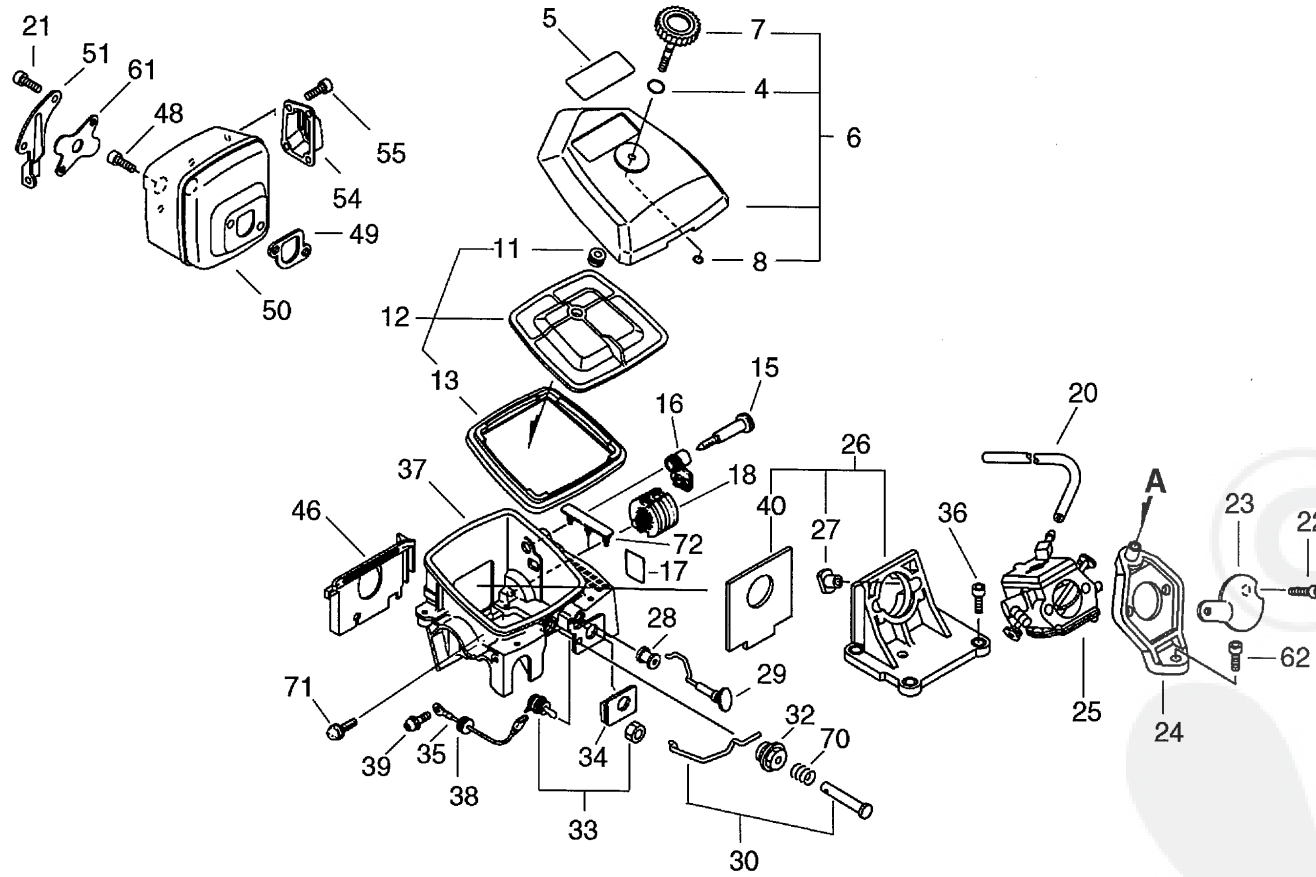
P a r t s L i s t

Date:23/02/2011 Page: 2

Group:Chain Saws Model:CS-8000 Section:Cylinder, Crankcase, Piston(1)

Key	Lv	Part Number	Q'ty	Description	Remarks	Note
32	+	100212-19830	1	OILSEAL		
34	+	900345-50010	1	PIN, SPRING 5*10SUS		
40	+	433011-19830	2	STUD, GUIDE BAR		
41	+	100251-19830	1	CUSHION		
42	+	100242-30830	1	GASKET, CRANKCASE		
27		100100-30830	1	CRANKSHAFT ASY		
28		100142-30830	1	KEY, WOODRUFF		
29		100921-30830	1	CUSHION		
30		900162-05014	2	SCREW 5*14		
31		900162-05035	4	SCREW 5*35		
33		900162-05020	5	SCREW 5*20		
35		436001-19832	1	CAP ASY, OIL	Sus. by 436001-19833	
35		436001-19833	1	CAP ASY, OIL		
36	+	900721-00025	1	O-RING		
37	+	131050-19830	1	RETAINER, LINK		
38	+	900249-03008	1	SCREW 3*8	Sus. by 900246-03008	
38	+	900246-03008	1	SCREW 3*8		
39	+	131051-19830	1	LINK		
44		101514-30831	1	PLATE, GUIDE		
45		101501-31730	1	COVER, CYLINDER		
46	+	101514-30831	1	COVER, CYLINDER		
49	+	101578-30830	1	PLUG		
47		890623-13930	1	LABEL, NOISE		
48		890162-14930	1	LABEL, CAUTION C.B.		

No.2



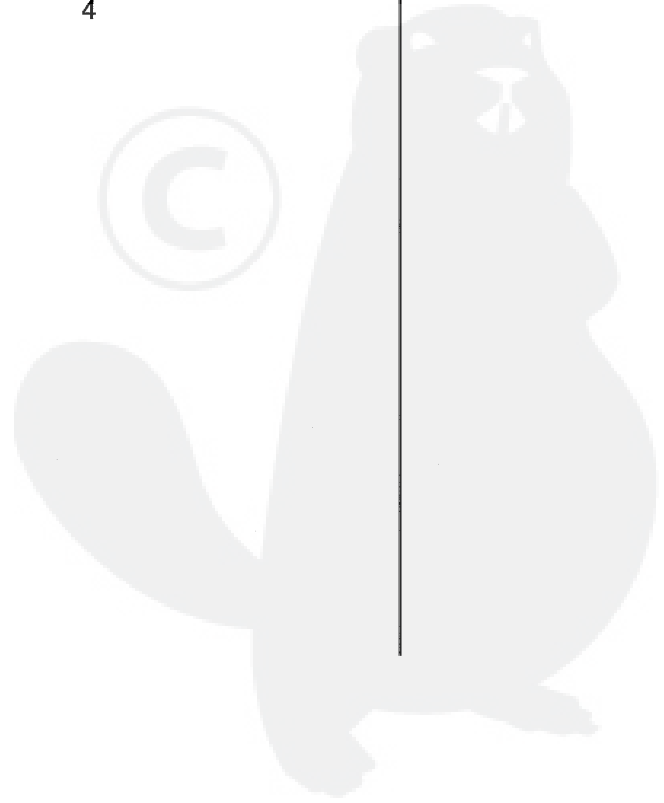
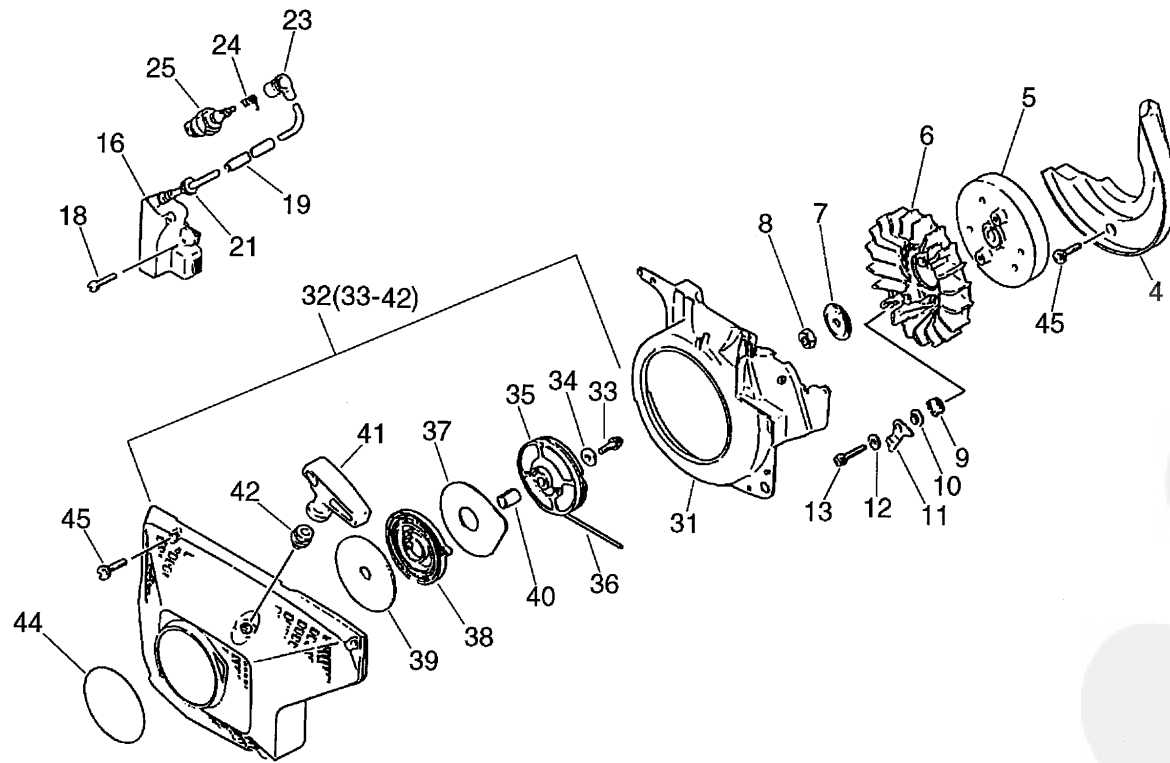
P a r t s L i s t

Date:23/02/2011 Page: 1

Group:Chain Saws Model:CS-8000 Section:Air Cleaner, Muffler(2)

Key	Lv	Part Number	Q'ty	Description	Remarks	Note
5		890151-31730	1	LABEL, MODEL		
6		130302-30830	1	COVER SET, AIR CLN		
4	+	900720-00010	1	O-RING 10		
7	+	130406-30830	1	NUT, THUMB		
8	+	900720-00003	1	O-RING 3		
12		130303-30830	1	FILTER, AIR	Sus. by 130303-30831	
12		130303-30831	1	FILTER, AIR		
11	+	130356-19830	1	GROMMET		
13	+	130320-30831	1	SEAL		
15		129013-30831	1	SCREW, IDLE SPEED		
16		129010-19830	1	GROMMET		
17		890169-30130	1	DECAL		
18		100905-19830	1	CUSHION		
20		130110-30830	1	PIPE, IMPULSE		
21		900162-05014	2	BOLT, H.S. 5*14		
22		900162-05055	2	BOLT, H.S. 5*55		
23		129011-19831	1	PLATE		
24		130405-30830	1	SUPPORTER, FILTER		
25		123000-30832	1	CARBURETOR ASY		
26		130007-30830	1	INSULATOR		
27	+	130020-19830	2	NUT		
40	+	130012-30830	1	SEAL, DUST		
28		178810-11231	1	GROMMET		
29		178510-30830	1	ROD, CHOKE		
30		178307-30830	1	ROD, THROTTLE		
32		178114-19830	1	HOLDER, THR. LEVER		
33		163400-30830	1	SWITCH, IGNITION		
34		890157-19830	1	LABEL, SWITCH		

No.3



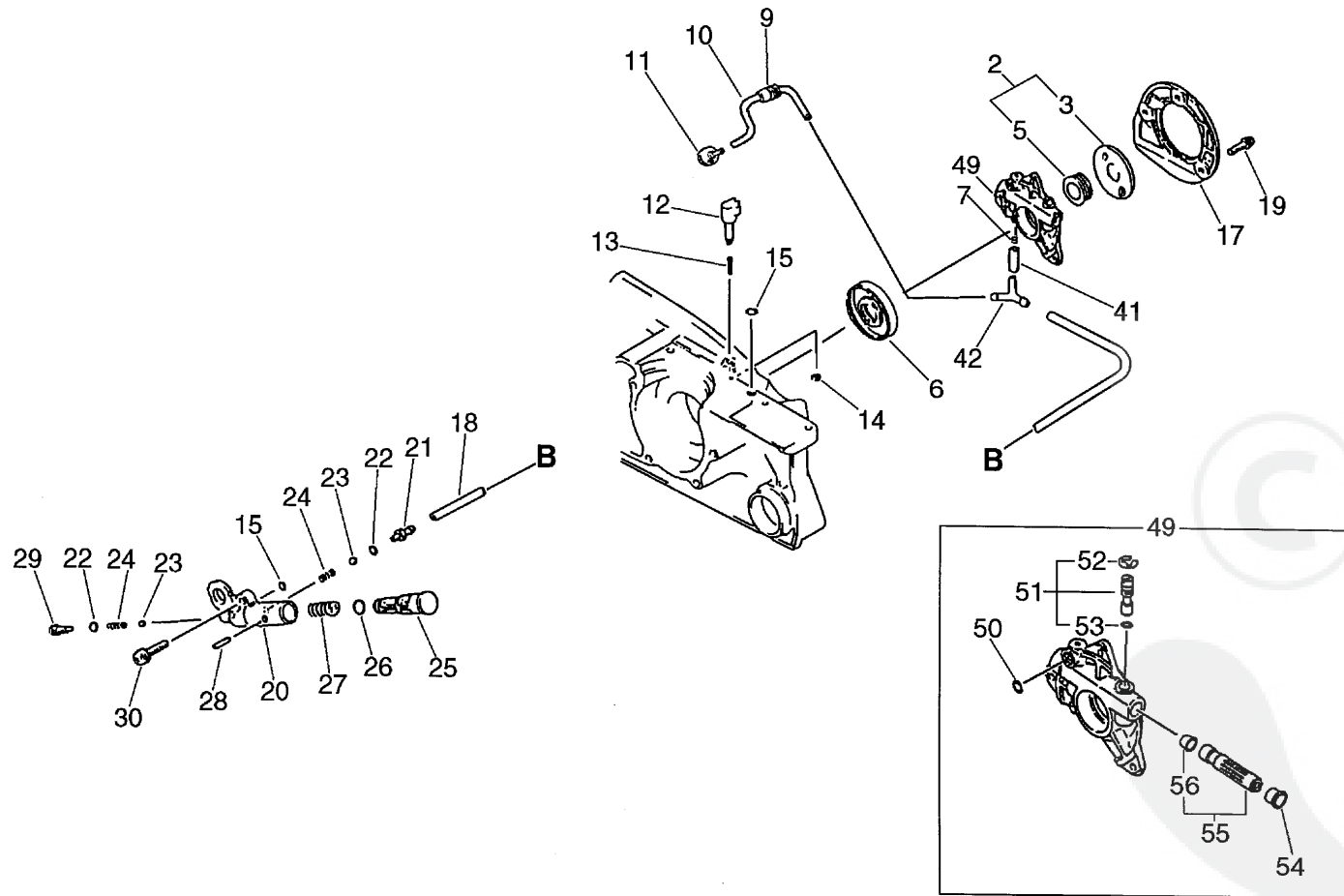
P a r t s L i s t

Date:23/02/2011 Page: 1

Group:Chain Saws Model:CS-8000 Section:Starter, Magneto (3)

Key	Lv	Part Number	Q'ty	Description	Remarks	Note
4		101534-30830	1	PLATE, GUIDE		
5		156800-32631	1	ROTOR, MAGNETO		
6		101521-30831	1	FAN, COOLING	Sus. by 101521-30832	
6		101521-30832	1	FAN, COOLING		
7		100143-19830	1	WASHER		
8		433019-12330	1	NUT, FLANGE 8		
9		177234-30830	2	SPRING, RETURN		
10		177247-12331	2	SPACER, RATCHET		
11		177218-30830	2	PAWL, STARTER		
12		900603-00005	2	WASHER 5		
13		900162-05030	2	BOLT, H.S. 5*30		
16		156601-30831	1	COIL, IGNITION		
18		900162-04020	2	BOLT, H.S. 4*20		
19		150611-30830	1	TUBE		
21		152112-05730	1	BUSHING		
23		159012-03433	1	CAP, SPARK PLUG		
24		159011-03432	1	COIL, SPARK PLUG CAP		
25		159017-16431	1	PLUG, SPARK (CJ-6Y)		
31		101535-30830	1	COVER, FAN		
32		177200-30831	1	STARTER ASY		
33	+	900162-05014	1	BOLT, H.S. 5*14		
34	+	177214-02830	1	WASHER		
35	+	177206-14330	1	DRUM, STARTER		
36	+	177226-07060	1	ROPE, STARTER		
37	+	177242-30830	1	PLATE, STARTER		
38	+	177220-02834	1	SPRING, REWIND		
39	+	177221-02830	1	PLATE, STARTER		
40	+	177216-12330	1	COLLAR		

No.4



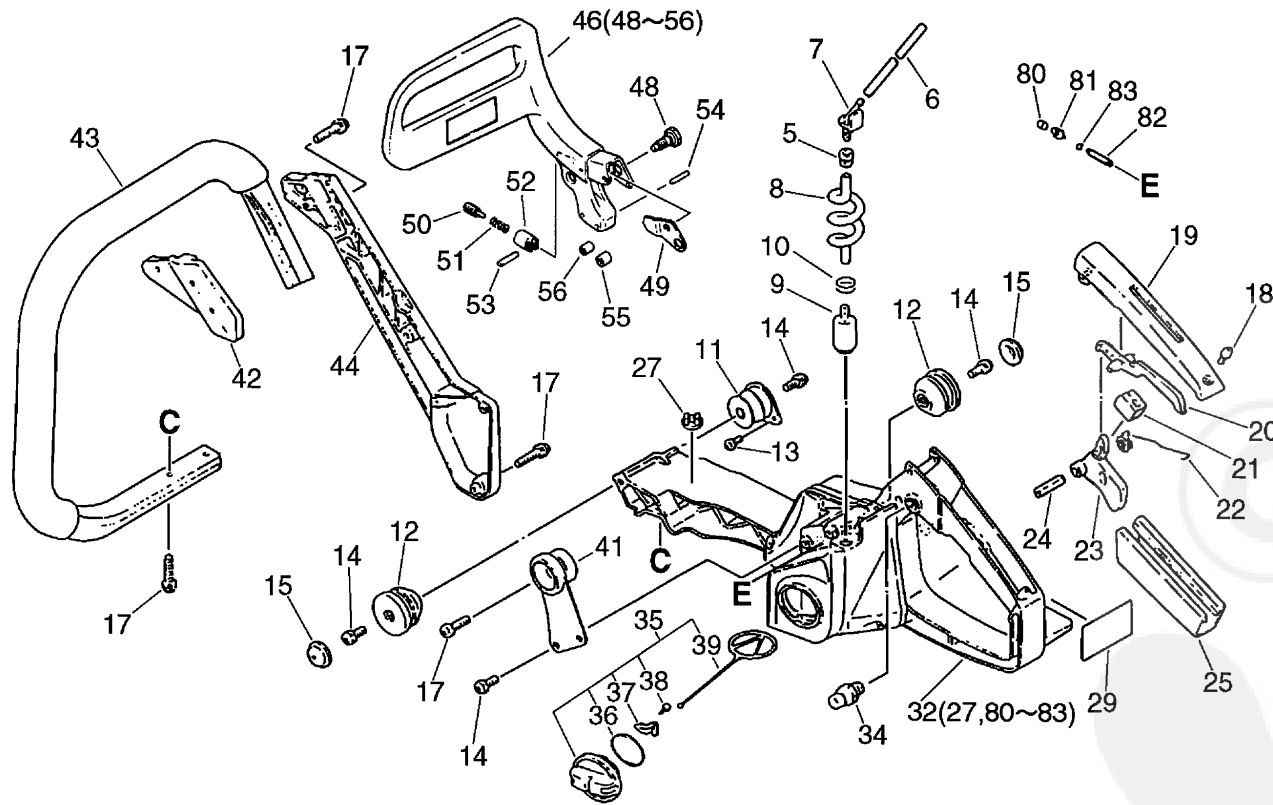
P a r t s L i s t

Date:23/02/2011 Page: 1

Group:Chain Saws Model:CS-8000 Section:Auto-Oiler(4)

Key	Lv	Part Number	Q'ty	Description	Remarks	Note
2		437004-33231	1	WORM ASY		
3	+	437066-30831	1	WASHER		
5	+	437063-33231	1	GEAR, WARM		
6		100213-30830	1	OILSEAL		
7		132013-26630	1	CLIP		
9		132115-12330	1	GROMMET		
10		437210-32430	1	PIPE, OIL (INNER)	Sus. by 437210-38330	
10		437210-38330	1	PIPE, FUEL		
11		436205-14730	1	STRAINER, OIL		
12		437039-30830	1	KNOB		
13		437015-19830	1	SPRING		
14		900700-00003	1	E-RING 3		
15		900720-00003	2	O-RING 3		
17		437605-32430	1	COVER, OIL PUMP		
18		437210-30830	1	PIPE, OIL		
19		900162-04014	3	BOLT, H.S. 4*14		
		437100-19831	1	OIL PUMP ASY	Sus. by 437100-19832	
		437100-19832	1	OILER ASY, MANUAL		
20	+	437110-19831	1	BODY, OIL PUMP		
21	+	437118-19830	1	NIPPLE		
22	+	437122-03430	2	O-RING		
23	+	437012-00330	2	VALVE, BALL		
24	+	437013-00330	2	SPRING, VALVE	Sus. by V450-000290	
24	+	V450-000290	2	SPRING, COMPRESSION		
25	+	437112-19831	1	PISTON, MANUAL		
26	+	900720-00007	1	O-RING 7		
27	+	437111-19830	1	SPRING		
28	+	900345-20016	1	PIN, SPRING 2*16SUS		

No.5



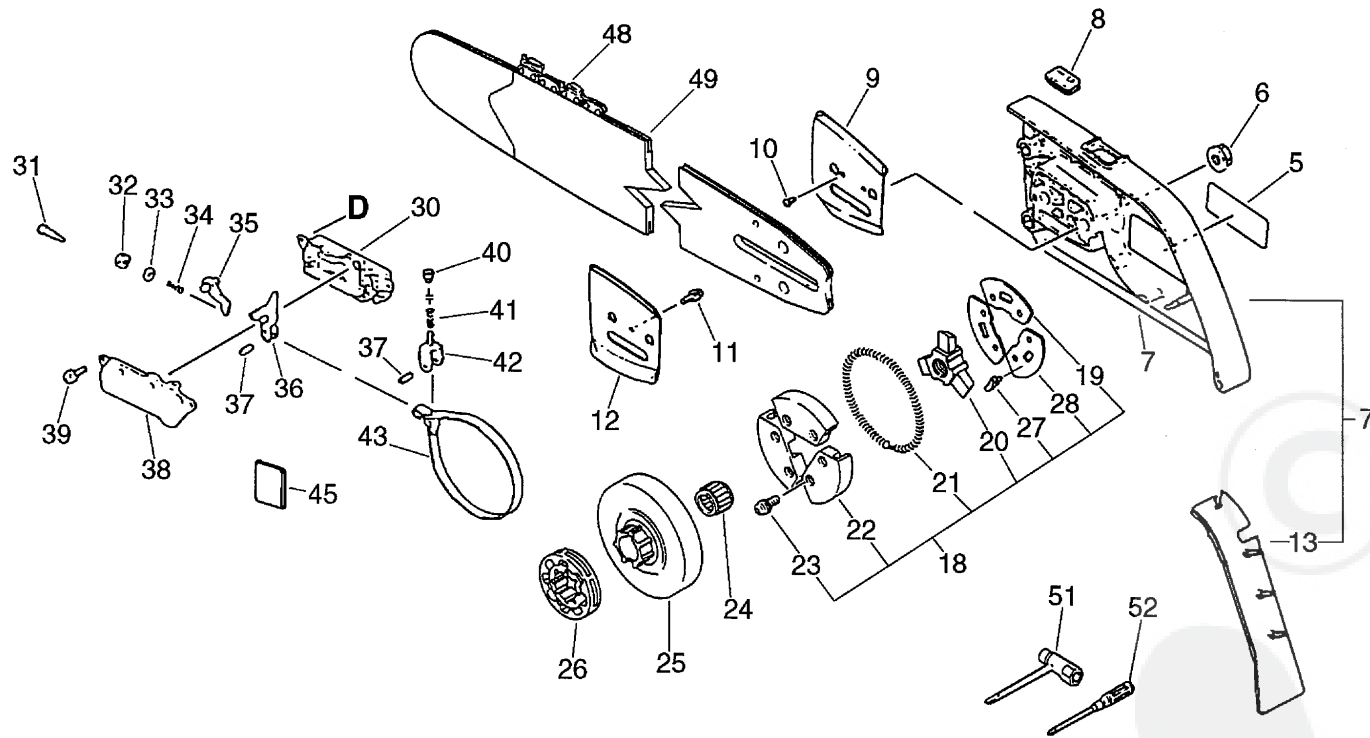
Parts List

Date:23/02/2011 Page: 1

Group:Chain Saws Model:CS-8000 Section:Handle(5)

Key	Lv	Part Number	Q'ty	Description	Remarks	Note
5		132115-01461	1	GROMMET		
6		132012-02960	1	PIPE, FUEL		
7		132011-19830	1	CONNECTOR, FUEL PIPE		
8		132010-30830	1	PIPE		
9		131205-19830	1	STRAINER, FUEL		
11		100922-30830	1	CUSHION		
12		100910-30830	2	CUSHION		
13		900162-04010	2	BOLT, H.S. 4*10		
14		900162-05014	5	BOLT, H.S. 5*14		
15		100918-19830	2	CAP, CUSHION		
17		900162-05020	9	BOLT, H.S. 5*20		
18		900162-04014	1	BOLT, H.S. 4*14		
19		351155-30131	1	COVER, HANDLE		
20		178090-30130	1	LOCKOUT, T. CONTROL		
21		178073-32430	1	CUSHION, THROTTLE		
22		178043-19830	1	SPRING, THR. RETURN		
23		178010-19830	1	CONTROL, THROTTLE		
24		900342-50025	1	PIN, SPRING 5*25		
25		351111-19830	1	GRIP, HANDLE		
29		890155-30130	1	LABEL, CAUTION		
32		351103-30832	1	HANDLE,W/FUEL TANK		
27	+	100252-30830	1	CUSHION		
80	+	131300-56430	1	VENT ASSEMBLY		
81	+	131328-40630	1	COVER, VENT		
82	+	437210-31730	1	PIPE 3*5*40		
83	+	130111-00530	1	CLIP		
34		178302-12330	1	LATCH, THROTTLE		
35		131004-19831	1	CAP ASY, FUEL TANK		

No.6



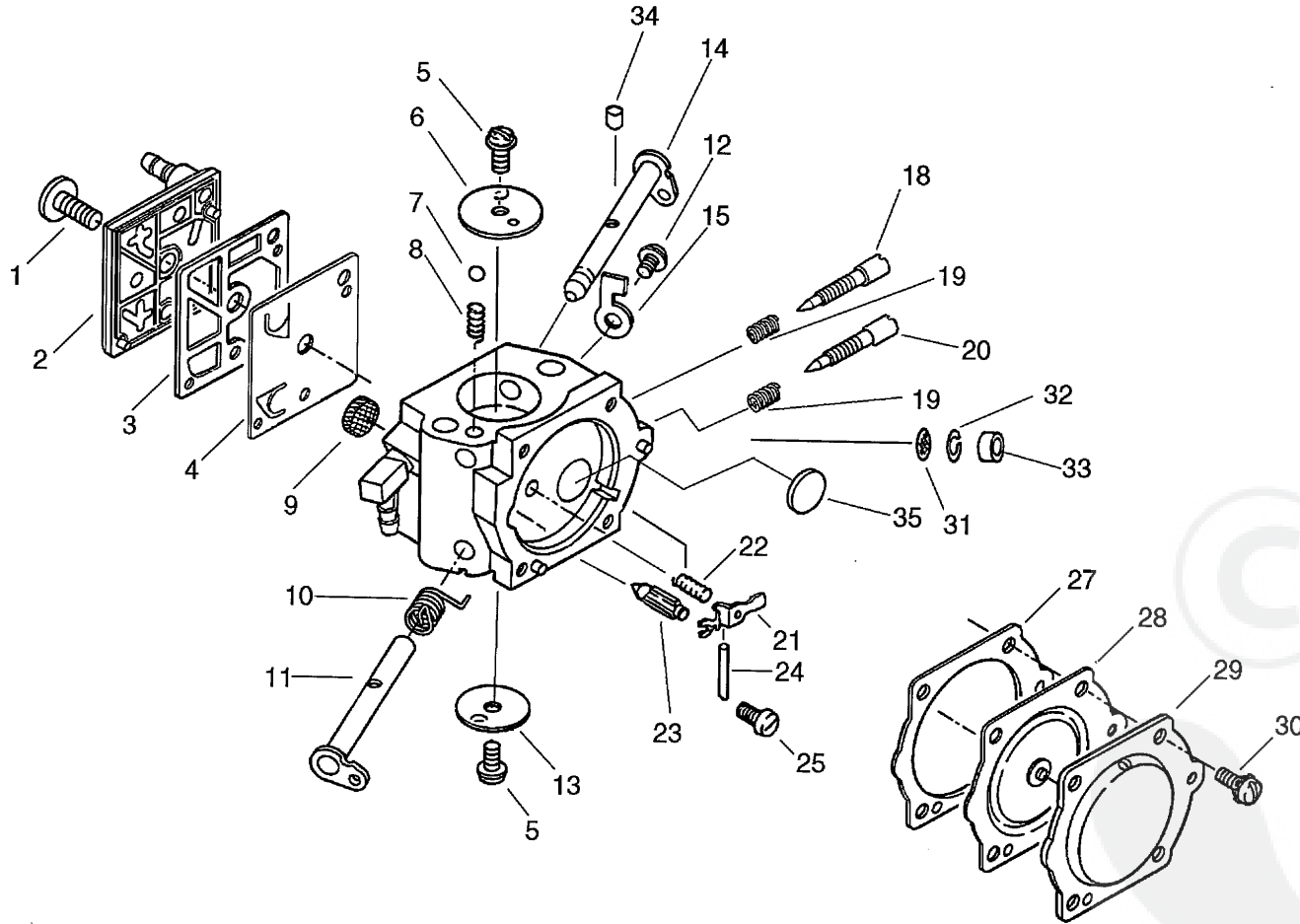
P a r t s L i s t

Date:23/02/2011 Page: 1

Group:Chain Saws Model:CS-8000 Section:Clutch, Sprocket, Chain Brake Asy, Tools(6)

Key	Lv	Part Number	Q'ty	Description	Remarks	Note
5		890118-38130	1	LABEL, ECHO		
6		433019-12330	2	NUT, FLANGE 8		
7		433002-30830	1	GUARD, SPROCKET (BS)	Sus. by 433002-30832	
7		433002-30831	1	GUARD, SPROCKET (BS)	Sus. by 433002-30832	
7		433002-30832	1	GUARD, SPROCKET (BS)		
13	+	433025-30830	1	PAD		
8		433312-19930	1	COVER, SEAL		
9		433012-30830	1	PLATE, GUIDE (OUTER)		
10		900241-03006	2	SCREW 3*6		
11		900241-04008	1	SCREW 4*8		
12		433013-30830	1	PLATE, GUIDE (INNER)		
18		175000-30831	1	CLUTCH ASY	Sus. by 175000-30832	
18		175000-30832	1	CLUTCH ASY		
19	+	175019-30830	2	PLATE, CLUTCH		
20	+	175016-30830	1	HUB, CLUTCH		
21	+	175018-30830	1	SPRING, CLUTCH		
22	+	175002-30830	1	SHOE, CLUTCH	Sus. by 175002-30831	
22	+	175002-30831	1	SHOE, CLUTCH		
23	+	900105-04008	6	BOLT, H.S. 4*8		
27	+	175059-30830	1	PLATE, SPRING		
28	+	175029-30830	1	PLATE, CLUTCH		
24		175012-30830	1	BEARING, NEEDLE	Sus. by 175012-30831	
24		175012-30831	1	BEARING, NEEDLE		
25		175105-30830	1	DRUM, CLUTCH		
26		175033-14731	1	SPROCKET, RIM 68210S		
		433202-30830	1	BRAKE KIT, CHAIN		
30	+	433306-19930	1	COVER, BRAKE		
31	+	433133-19930	1	BOLT		

No.7



P a r t s L i s t

Date:23/02/2011 Page: 1

Group:Chain Saws Model:CS-8000 Section:Carburetor(7)

Key	Lv	Part Number	Q'ty	Description	Remarks	Note
		123000-30832	1	CARBURETOR ASY		
1	+	123110-16130	1	SCREW, PUMP COVER		
2	+	123124-19830	1	COVER, FUEL PUMP		
3	+	123125-12330	1	GASKET, FUEL PUMP		
4	+	123112-12330	1	DIAPHRAGM, FUEL PUMP		
5	+	123114-38830	2	SCREW		
6	+	123132-17330	1	VALVE, CHOKE		
7	+	123136-10630	1	BALL, CHOKE FRICTION		
8	+	123135-10630	1	SPRING, CHOKE FRICT.		
9	+	123126-10631	1	SCREEN, INLET		
10	+	123113-16130	1	SPRING, THRT. RETURN		
11	+	123117-32430	1	SHAFT, THROTTLE		
12	+	123114-03930	1	SCREW	Sus. by 123114-38830	
12	+	123114-38830	1	SCREW		
13	+	123116-16130	1	VALVE, THROTTLE		
14	+	123131-19830	1	SHAFT, CHOKE		
15	+	123156-12330	1	STOP, THROTTLE		
18	+	123120-30830	1	NEEDLE, HIGH SPEED		
19	+	123121-16130	2	SPRING, NEEDLE		
20	+	123118-30830	1	NEEDLE, IDLE		
21	+	123123-18330	1	LEVER, METERING		
22	+	123122-16130	1	SPRING, METER. LEVER		
23	+	123137-19830	1	VALVE, INLET NEEDLE		
24	+	123138-03930	1	PIN, METERING LEVER		
25	+	123139-03930	1	SCREW, M. LEVER PIN		
27	+	123140-16131	1	GASKET, M. DIAPHRAGM		
28	+	123141-16131	1	DIAPHRAGM, METERING		
29	+	123142-17330	1	COVER, M. DIAPHRAGM		

