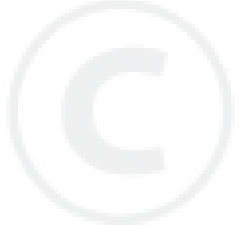
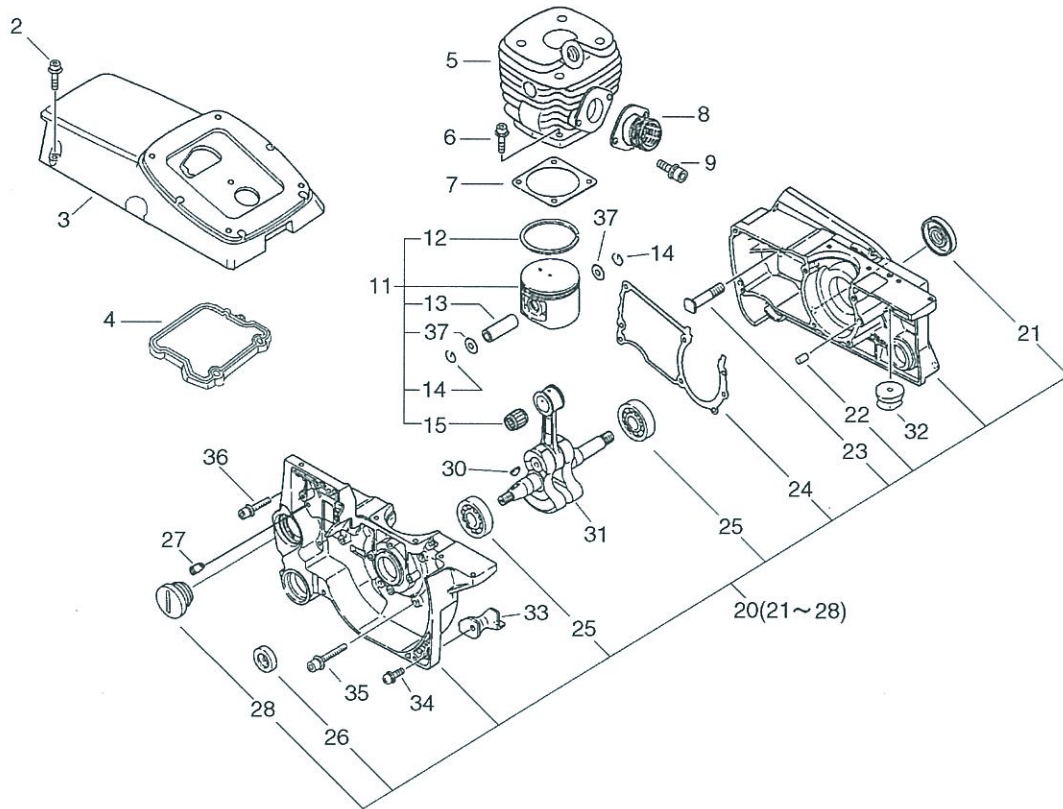


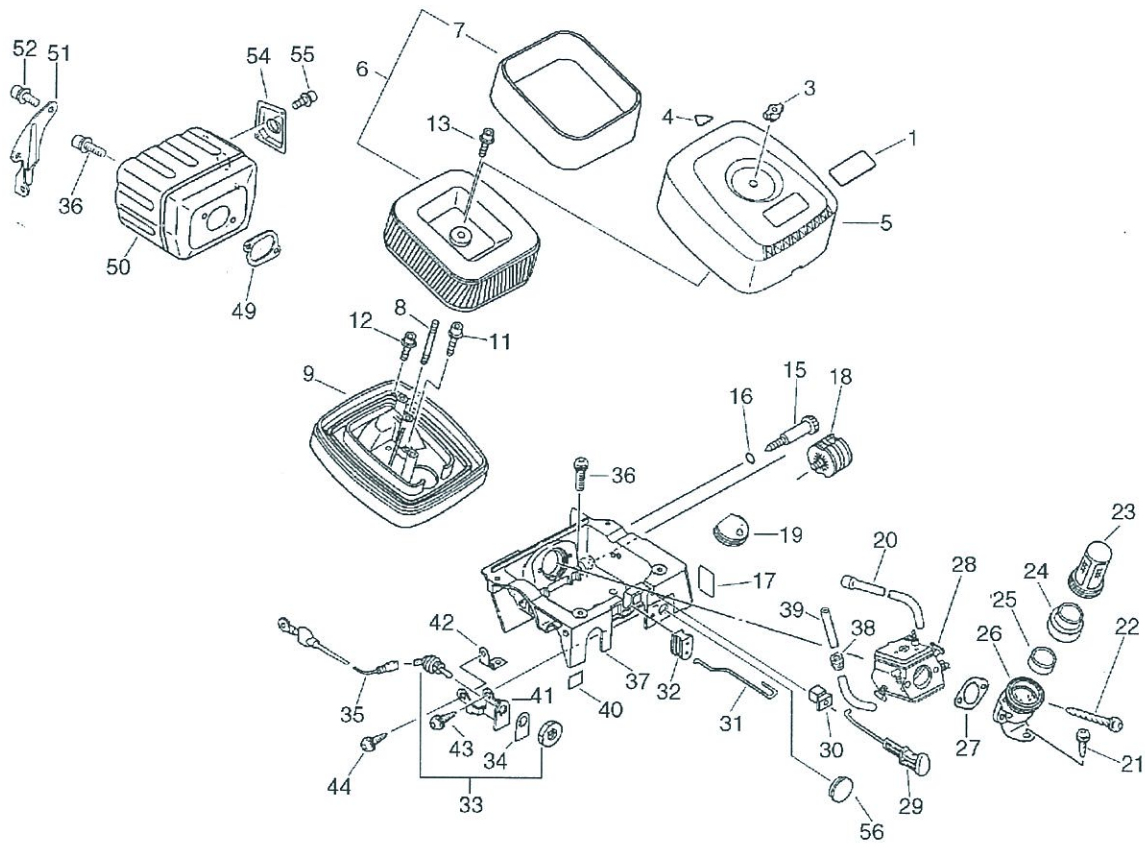
CSG-680(36), 36001681-, CYLINDER, CRANKCASE, PISTON
P014-000510-10Ib, 2010/05/31



CSG-680(36), 36001681-, CYLINDER, CRANKCASE, PISTON
 P014-000510-10lb, 2010/05/31

Key	Lv	Part no.	Part description	Quantity	Note1	Note2
2		900162-05020	BOLT, H.S. 5*20	5		
3		A160-000601	COVER,CYLINDER	1		
4		V420-000701	CUSHION	1		
5		A130-000172	CYLINDER	1	Sus. by A1300009 80	
5		A130-000980	CYLINDER	1		
6		900162-05025	BOLT, H.S. 5*25	4		
7		101010-32431	GASKET, CYL. BASE	1		
8		A202-000040	BELLOWS,INTAKE	1		
9		900162-05014	BOLT, H.S. 5*14	2		
11		P021-015290	PISTON KIT	1		
12	+	A101-000150	RING, PISTON	1		
13	+	V610-000000	PIN,ENG 12	1		
14	+	V580-000000	RING,END	2		
15	+	100012-32430	BEARING, NEEDLE	1		
37	+	100014-18430	SPACER, PISTON PIN	2		
20		P021-007490	CRANKCASE KIT	1		
21	+	100212-32430	OILSEAL (L)	1		
22	+	100215-02830	PIN, DOWEL	2		
23	+	433011-21860	STUD, GUIDE BAR	2		
24	+	100242-32430	GASKET, CRANKCASE	1		
25	+	900810-36202	BEARING, BALL 6202	2		
26	+	100212-19830	OILSEAL	1		
27	+	436114-13930	VALVE, CHECK	1		
28	+	436013-06061	PLUG	1		
30		100142-30830	KEY, WOODRUFF	1		
31		A011-000292	CRANKSHAFT,ASM	1		
32		100251-32430	CUSHION (A)	1		
33		100917-32430	CUSHION (B)	1		
34		900238-05014	SCREW 5*14	1		
35		900162-05035	BOLT, H.S. 5*35	4		
36		900162-05020	BOLT, H.S. 5*20	2		

CSG-680(36), 36001681-, AIR CLEANER, CARBURETOR, MUFFLER
P014-000510-10Ib, 2010/05/31



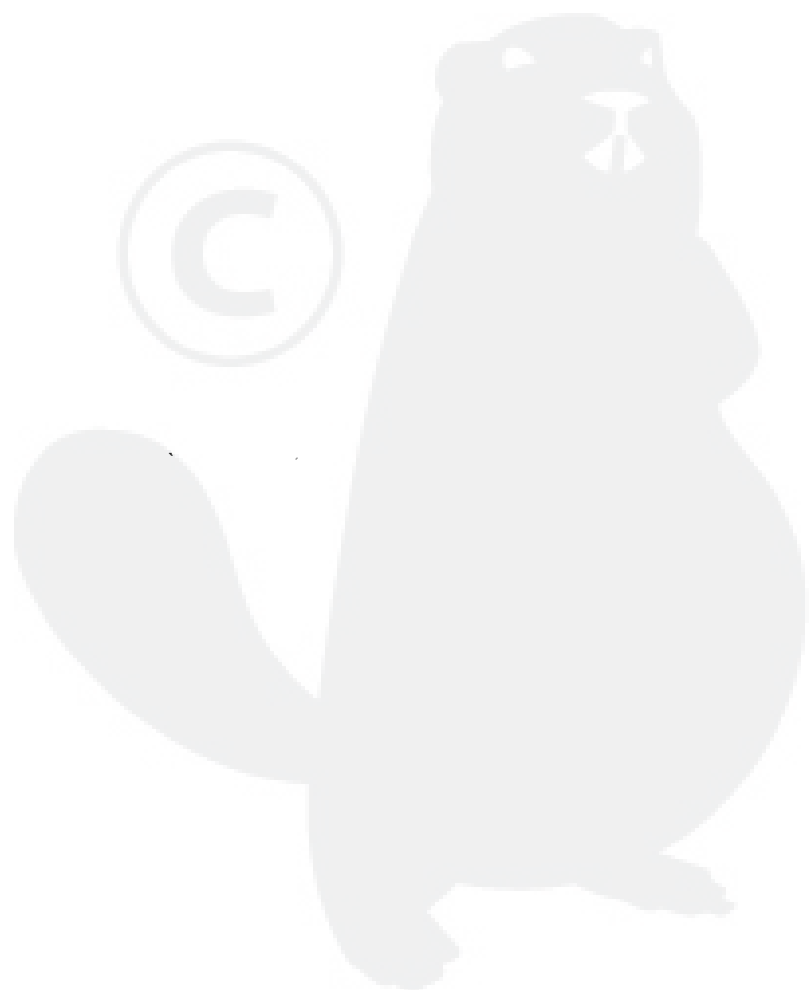
CSG-680(36), 36001681-, AIR CLEANER, CARBURETOR, MUFFLER
P014-000510-10Ib, 2010/05/31

Key	Lv	Part no.	Part description	Quantity	Note1	Note2
1		X503-005551	LABEL,MODEL	1		
3		130322-05261	NUT	1		
4		890057-07060	LABEL	1		
5		130313-06061	COVER, AIR CLEANER	1		
6		130305-07061	FILTER, AIR	1		
7	+	130305-25061	FILTER, AIR	1		
8		130712-06061	STUD	1		
9		A225-000130	CASE,CLEANER	1		
11		900238-05025	SCREW 5*25	1		
12		900238-05016	SCREW 5*16	4		
13		130435-07060	BOLT	2		
15		129013-30831	SCREW, IDLE SPEED	1		
16		900720-20007	O-RING 7	1		
17		890185-03460	LABEL, IDLE	1		
18		100905-32331	CUSHION (R)	1		
19		V140-000010	GROMMET,HOSE	1		
20		130110-19830	PIPE, IMPULSE	1		
21		900252-05014	SCREW 5*14	1		
22		900252-05053	SCREW 5*53	2		
23		130821-06060	SCREEN	1		
24		V420-000691	CUSHION	1		
25		V362-000020	COLLAR,22	1		
26		A204-000030	ELBOW,CARBURETOR	1		
27		130010-20760	GASKET, INTAKE	1		
28		A021-000730	CARBURETOR,DIAPHRAGM	1		
29		178510-32330	ROD, CHOKE	1		
30		178810-33331	GROMMET, CHOKE	1		
31		178011-32630	ROD, THROTTLE	1		
32		178114-32630	HOLDER, THR. LEVER	1		
33		163400-30830	SWITCH, IGNITION	1		
34		890157-30130	LABEL, SWITCH	1		
35		162021-32530	LEAD	1		
36		900162-05020	BOLT, H.S. 5*20	6		
37		A220-000030	CASE,CARBURETOR	1		
38		132115-01461	GROMMET	1		
39		437211-14730	PIPE, OIL	1		

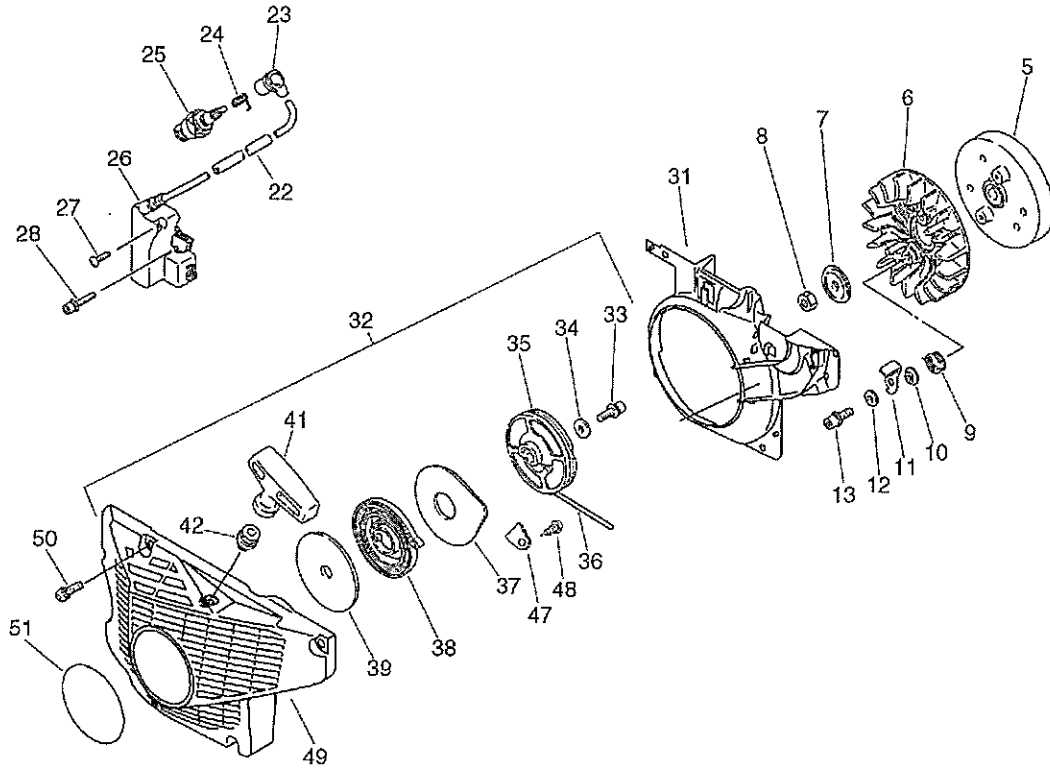
CSG-680(36), 36001681-, AIR CLEANER, CARBURETOR, MUFFLER
P014-000510-10Ib, 2010/05/31

Key	Lv	Part no.	Part description	Quantity	Note1	Note2
40		890157-39130	LABEL, SWITCH	1		
41		163810-30130	BRACKET, SWITCH	1		
42		156635-32530	PLATE, GROUND	1		
43		900252-05010	SCREW 5*10	1		
44		900252-04010	SCREW 4*10	1		
49		145510-32431	GASKET, MUFFLER	1		

50		A300-000781	MUFFLER, EXHAUST	1		
51		145711-32430	BRACKET, MUFFLER	1		
52		900162-05014	BOLT, H.S. 5*14	2		
54		A313-000460	GUIDE,EXH	1		
55		900162-04010	BOLT, H.S. 4*10	2		
56		101578-38431	PLUG	1		



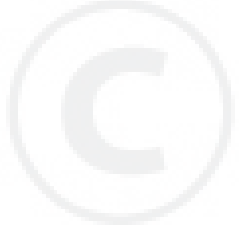
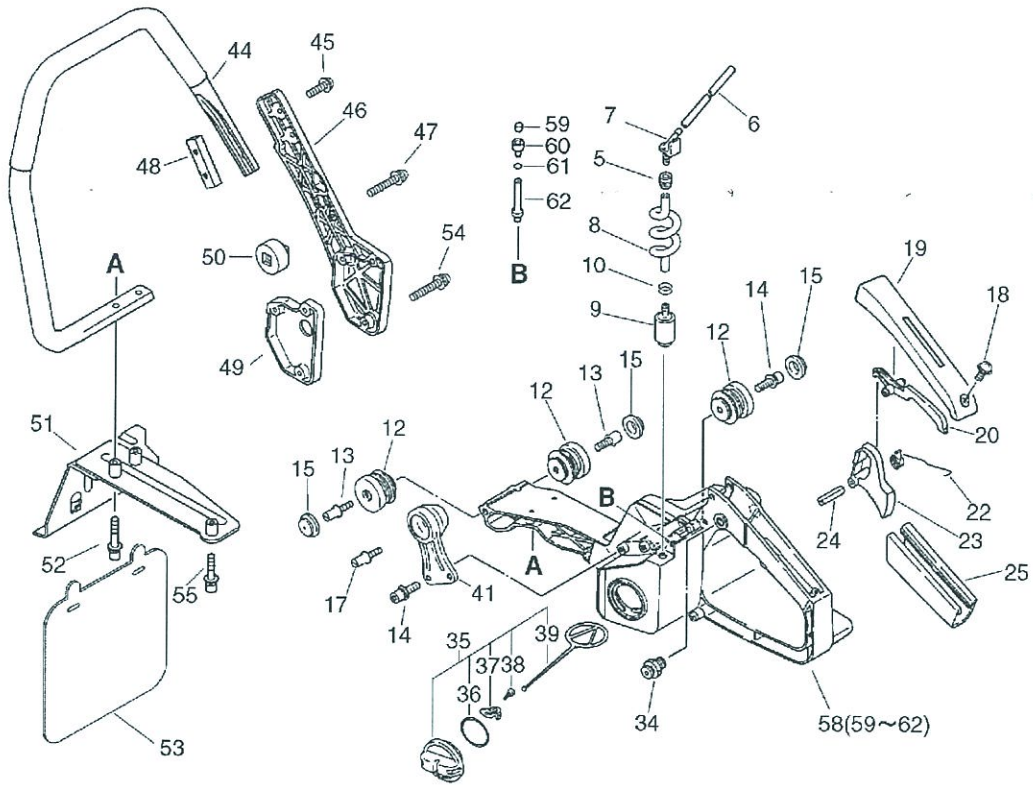
CSG-680(36), 36001681-, STARTER, MAGNETO
P014-000510-101b, 2010/05/31



CSG-680(36), 36001681-, STARTER, MAGNETO
 P014-000510-101b, 2010/05/31

Key	Lv	Part no.	Part description	Quantity	Note1	Note2
5		156800-32631	ROTOR, MAGNETO	1		
6		101521-32330	FAN, COOLING	1		
7		100143-19830	WASHER	1		
8		900500-00008	NUT 8	1		
9		177234-19832	SPRING, RETURN	2		
10		V353-000201	COLLAR,5	2		
11		177218-32631	PAWL, STARTER	2		
12		900603-00005	WASHER 5	2		
13		V203-000150	BOLT,5	2		
22		156611-19830	TUBE	1		
23		A427-000013	CAP,SPARK PLUG	1		
24		A426-000010	TERMINAL,SPARKPLUG	1		
25		159010-10230	PLUG, SPARK (BPMR-7A	1		
26		156601-32632	COIL, IGNITION	1		
27		900242-04008	SCREW	1		
28		900162-04020	BOLT, H.S. 4*20	2		
31		A172-000130	COVER,FAN	1		
32		P021-007500	STARTER ASY	1		
33	+	900162-05014	BOLT, H.S. 5*14	1		
34	+	900603-00005	WASHER 5	1		
35	+	177215-07060	DRUM, STARTER	1		
36	+	177226-06060	ROPE, STARTER	1		
37	+	177221-07060	PLATE, STARTER	1		
38	+	177220-02834	SPRING, REWIND	1		
39	+	177221-02830	PLATE, STARTER	1		
41	+	177228-30830	GRIP, STARTER	1		
42	+	177227-07060	GUIDE, ROPE	1		
47	+	433144-15130	PLATE,EYE	1		
48	+	900253-04008	SCREW 4*8	1		
49	+	A500-000061	CASE,STARTER	1		
50		900162-05020	BOLT, H.S. 5*20	4		
51		X502-000460	LABEL,ECHO	1		

CSG-680(36), 36001681-, HANDLE
P014-000510-10Ib, 2010/05/31

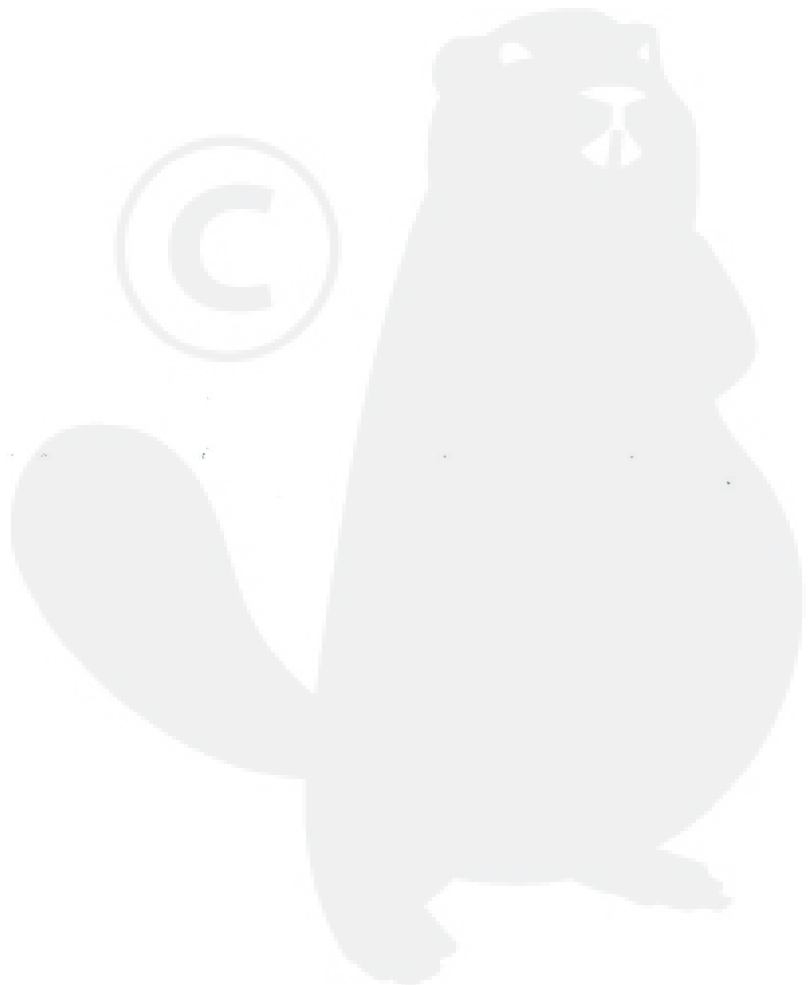
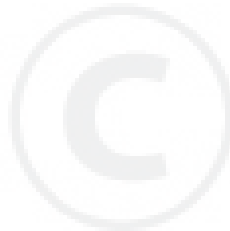


CSG-680(36), 36001681-, HANDLE
P014-000510-10Ib, 2010/05/31

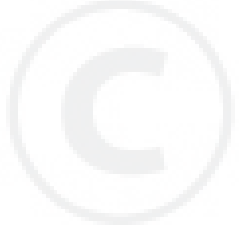
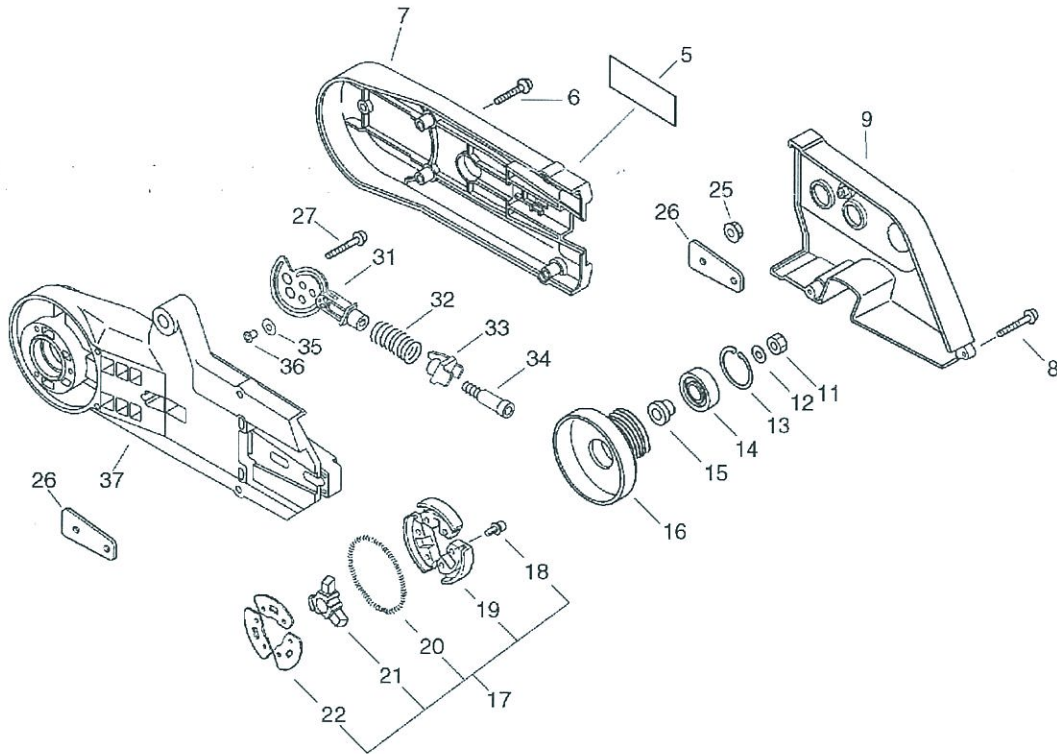
Key	Lv	Part no.	Part description	Quantity	Note1	Note2
5		132115-01461	GROMMET	1		
6		437217-20760	PIPE 3* 6*100	1		
7		132011-19831	CONNECTOR, FUEL PIPE	1		
8		132010-30830	PIPE	1		
9		131205-19831	STRAINER, FUEL	1		
10		132013-26630	CLIP	1		
12		100922-32430	CUSHION (A)	3		
13		100915-32530	BOLT	2		
14		900162-05014	BOLT, H.S. 5*14	2		
15		100918-19830	CAP, CUSHION	3		
17		100915-33930	SCREW	1		
18		900238-04014	SCREW 4*14	1		
19		351155-35430	COVER, HANDLE (BL)	1		
20		178090-37930	LOCKOUT, T. CONTROL	1		
22		178043-19830	SPRING, THR. RETURN	1		
23		C450-000281	TRIGGER, THROTTLE	1		
24		900342-50025	PIN, SPRING 5*25	1		
25		351111-19830	GRIP, HANDLE	1		
34		178302-12330	LATCH, THROTTLE	1		
35		131004-37631	CAP ASSY, FUEL TANK	1		
36	+	900720-20029	O-RING 29	1		
37	+	131050-19830	RETAINER, LINK	1		
38	+	900246-03008	SCREW 3*8	1		
39	+	131051-19830	LINK	1		
41		100921-32431	CUSHION(C)	1		
44		C400-000240	HANDLE,FRONT	1		
45		900238-05020	SCREW 5*20	2		
46		351616-38130	BRACKET, HANDLE	1		
47		900238-05030	SCREW 5*30	1		
48		305114-06060	BRACKET	1		
49		351612-06061	SPACER	1		
50		351630-06060	SPACER	1		
51		C423-000130	FIXTURE,HANDLE	1		
52		900162-05035	BOLT, H.S. 5*35	2		
53		305115-06061	SHIELD	1		
54		900238-05035	SCREW 5*35	3		

CSG-680(36), 36001681-, HANDLE
P014-000510-10lb, 2010/05/31

Key	Lv	Part no.	Part description	Quantity	Note1	Note2
55		900162-05030	BOLT, H.S. 5*30	1		
58		P021-007480	HANDLE, REAR	1		
59	+	131300-56430	VALVE, CHECK	1		
60	+	131328-40630	COVER, VENT	1		
61	+	130111-00530	CLIP	1		
62	+	131312-32430	PIPE, VENT	1		



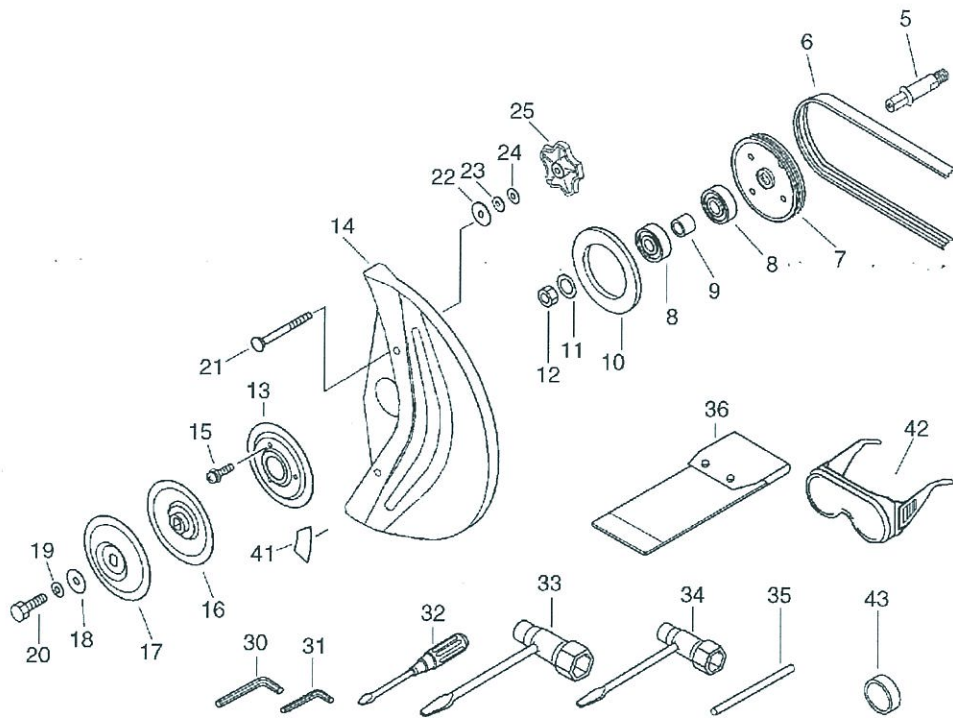
CSG-680(36), 36001681-, CLUTCH, ARM COVER
P014-000510-10lb, 2010/05/31



CSG-680(36), 36001681-, CLUTCH, ARM COVER
 P014-000510-10lb, 2010/05/31

Key	Lv	Part no.	Part description	Quantity	Note1	Note2
5		X502-000540	LABEL,ECHO	1		
7		C361-000010	COVER,CUTTER ARM	1		
6		900238-05025	SCREW 5*25	4		
8		900238-05025	SCREW 5*25	3		
9		611111-20760	COVER, V-BELT BS	1		
11		610320-03830	NUT 8 L-H	1		
12		900603-00008	WASHER 8	1		
13		900702-00028	CIRCLIP 28	1		
14		94002-36001	BEARING, BALL	1		
15		V356-000260	COLLAR,10	1		
16		A556-000310	DRUM,CLUTCH	1		
17		175000-06061	CLUTCH ASSY	1		
18	+	900105-04006	BOLT, H.S. 4*6	6		
19		175002-32431	SHOE, CLUTCH	1		
20	+	175018-32430	SPRING, CLUTCH	1		
21	+	175016-16130	HUB, CLUTCH	1		
22	+	175019-16130	PLATE, CLUTCH	3		
25		433019-12330	NUT, FLANGE 8	2		
26		611117-06060	SPACER, ARM	2		
27		900162-05025	BOLT, H.S. 5*25	1		
31		P021-006652	SHAFT,ARM ADJUST	1		
32		611216-05260	SPRING, ADJUSTER	1		
33		V455-000030	SEAT,SPRING	1		
34		V203-000070	BOLT,5	1		
35		175049-56030	WASHER	1		
36		104915-08260	SPACER	1		
37		C360-000012	ARM,CUTTER	1		

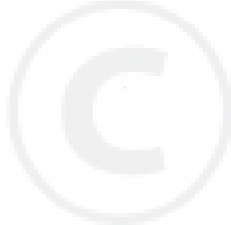
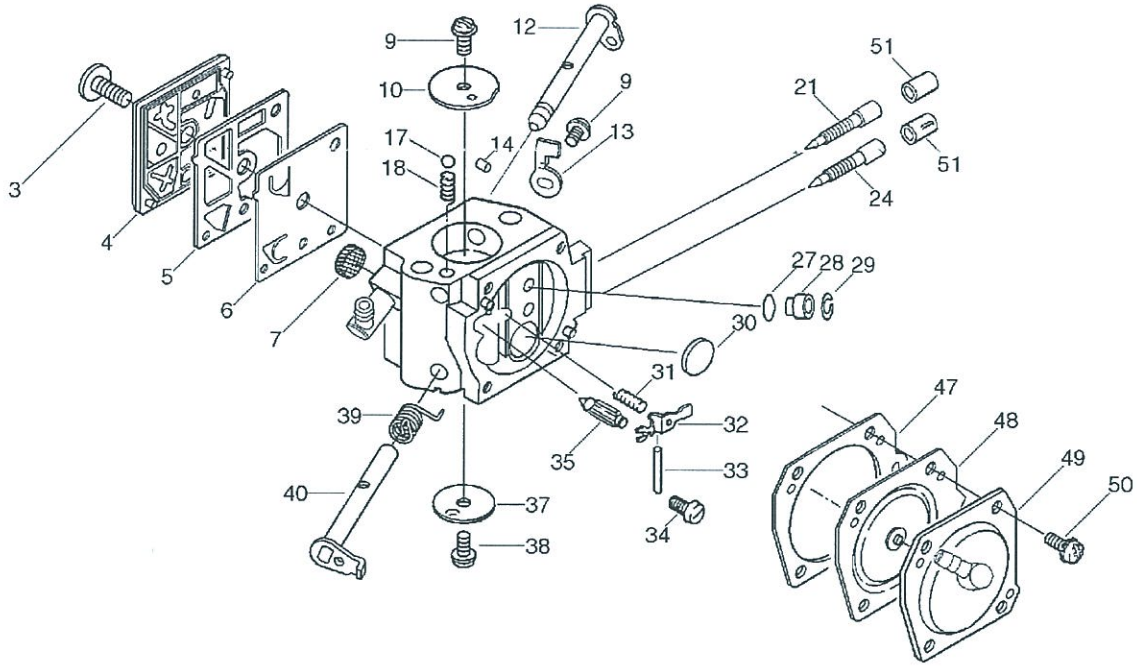
CSG-680(36), 36001681-, CUTTER COVER, BELT, TOOLS
P014-000510-10Ib, 2010/05/31



CSG-680(36), 36001681-, CUTTER COVER, BELT, TOOLS
 P014-000510-10lb, 2010/05/31

Key	Lv	Part no.	Part description	Quantity	Note1	Note2
5		C364-000022	SHAFT,CUTTER	1		
6		V196-000090	BELT	1		
7		V176-000031	PULLEY	1		
8		900812-06202	BEARING, BALL 6202	2		
9		606117-21860	COLLAR	1		
10		689024-05260	PLATE, CUSHION	1		
11		900602-00010	WASHER 10(10.5*21*2)	1		
12		900501-00010	NUT 10*1.25	1		
13		C371-000000	PLATE,CUTTER COVER	1		
14		C370-000020	COVER,CUTTER	1		
15		900241-04010	SCREW 4*10	3		
16		611014-07062	FLANGE, CUTTER	1		
17		611015-07062	FLANGE, CUTTER	1		
18		611019-05260	WASHER	1		
19		900605-00010	WASHER, SPRING 10	1		
20		V206-000160	BOLT,10	1		
21		V205-000300	BOLT,8	1		
22		V306-000110	WASHER,CIRCULAR 8	1		
23		900600-00008	WASHER 8	1		
24		900605-00008	WASHER, SPRING 8	1		
25		V299-000210	KNOB,FASTENER	1		
30		895610-00130	L-WRENCH (4MM)	1		
31		895612-03430	L-WRENCH (3MM)	1		
32		895811-00130	DRIVER, SCREW 125	1		
33		895410-10630	WRENCH, W/S. DRIVER	1		
34		895410-00430	WRENCH, W/S. DRIVER	1		
35		X606-000080	TOOL,BAR	1		
36		898510-39130	BAG, TOOL	1		
41		X505-001331	LABEL,CAUTION	1		
42		X690-000050	GOGGLE	1		
43		611022-09160	COLLAR 20*22*4.5	1		

CSG-680(36), 36001681-, CARBURETOR
P014-000510-10lb, 2010/05/31



CSG-680(36), 36001681-, CARBURETOR
P014-000510-10lb, 2010/05/31

Key	Lv	Part no.	Part description	Quantity	Note1	Note2
		A021-000730	CARBURETOR,DIAPHRAGM	1		
3	+	123110-03930	SCREW, PUMP COVER	1		
4	+	123124-19830	COVER, FUEL PUMP	1		
5	+	123125-12330	GASKET, FUEL PUMP	1		
6	+	123112-12330	DIAPHRAGM, FUEL PUMP	1		
7	+	123126-10631	SCREEN, INLET	1		
9	+	123114-38830	SCREW	2		
10	+	123132-32430	VALVE, CHOKE	1		
12	+	123131-19830	SHAFT, CHOKE	1		
13	+	123156-30830	STOP, THROTTLE	1		
14	+	123178-15030	PLUG, FRICTION	1		
17	+	123136-10630	BALL, CHOKE FRICTION	1		
18	+	123135-10630	SPRING, CHOKE FRICT.	1		
21	+	123120-32631	NEEDLE, HIGH SPEED	1		
24	+	123118-02261	NEEDLE	1		
27	+	123183-40630	O-RING	1		
28	+	123184-06060	JET #42	1		
29	+	123169-10630	RING, RETAINING	1		
30	+	123146-10631	PLUG, WELCH	1		
31	+	123122-39830	SPRING, METER. LEVER	1		
32	+	123123-18330	LEVER, METERING	1		
33	+	123138-03930	PIN, METERING LEVER	1		
34	+	123139-03930	SCREW, M. LEVER PIN	1		
35	+	123137-19830	VALVE, INLET NEEDLE	1		
37	+	123132-16130	VALVE, CHOKE	1		
38	+	123114-05260	SCREW	1		
39	+	123113-16130	SPRING, THRT. RETURN	1		
40	+	123117-32630	SHAFT, THROTTLE	1		
47	+	123140-16131	GASKET, M. DIAPHRAGM	1		
48	+	123141-16131	DIAPHRAGM, METERING	1		
49	+	P003-000000	COVER, M. DIAPHRAGM	1		
50	+	123130-02960	SCREW	4		
51	+	P003-000010	LIMITER CAP	2		