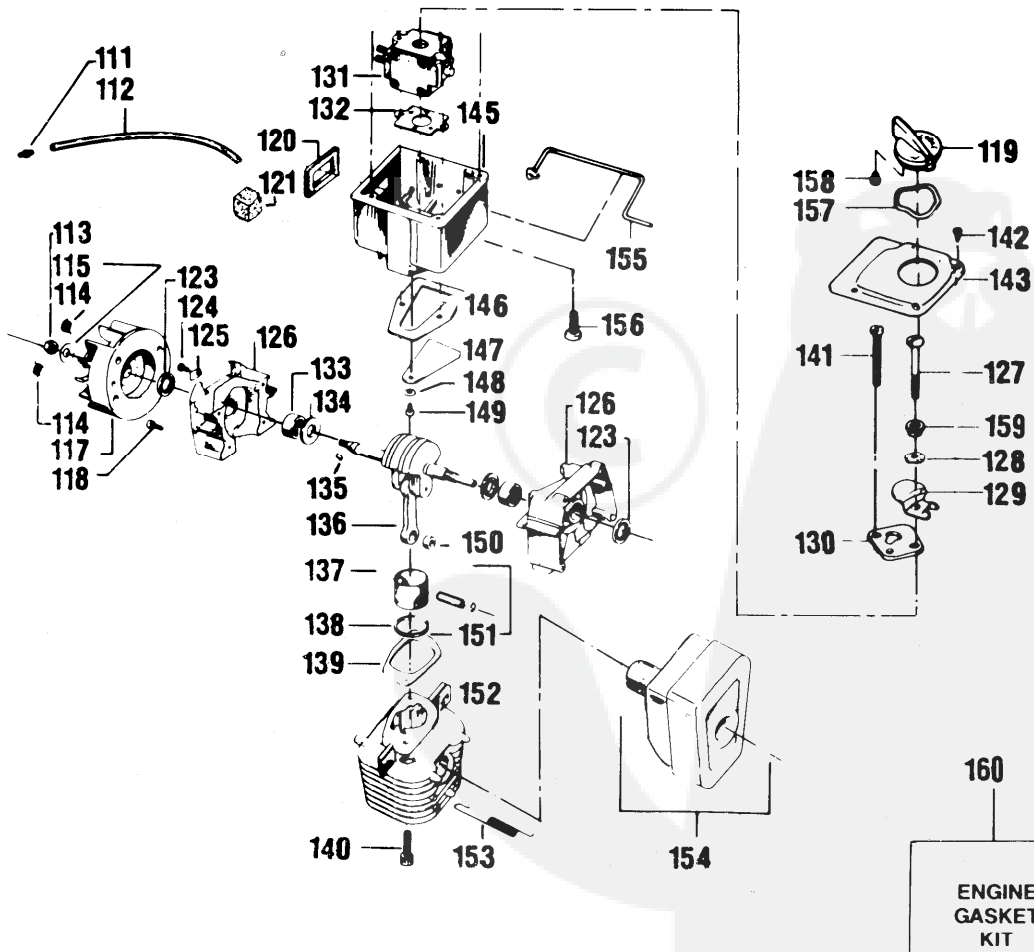
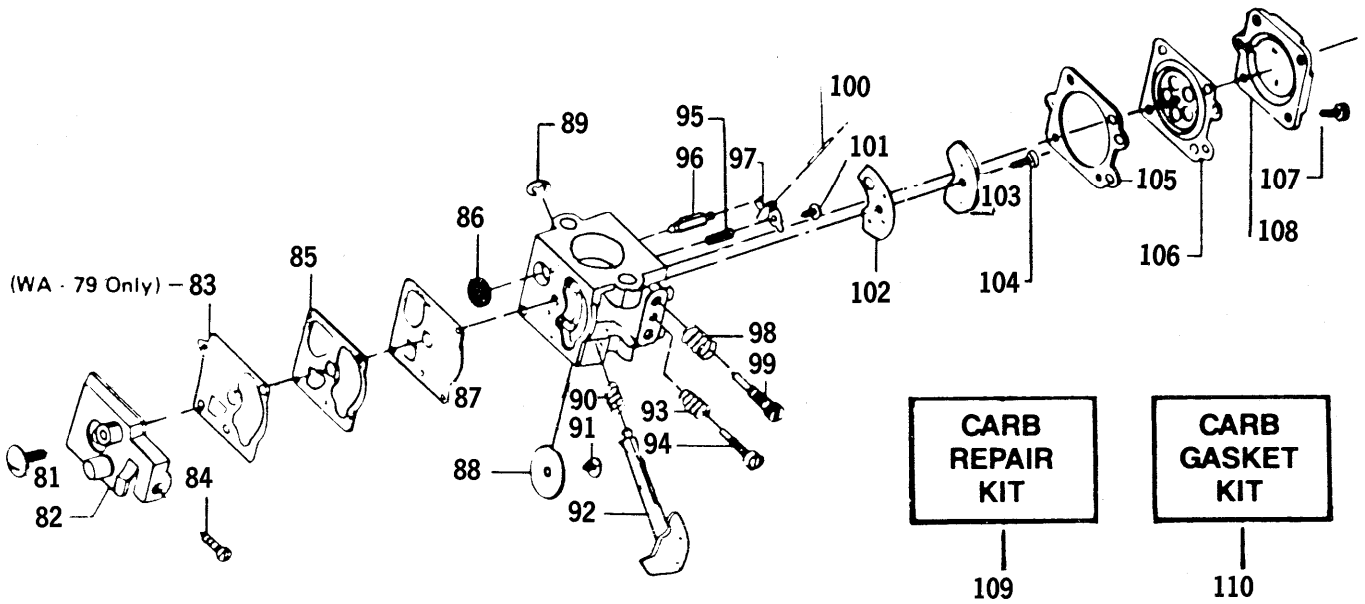


Flymo®

WEEDEATER 1700 9527033-20

KEY No.	PART No	DESCRIPTION	QUANTITY	COMMENTS APPLICATION	KEY No.	PART No	DESCRIPTION	QUANTITY	COMMENTS APPLICATION
1	5300107-29/8	FUEL CAP ASS	1		51	5300938-94/0	CUTTING HEAD ASS'Y	1	(INCL. 52-59)
2	5300253-77/9	BRACKET-FUEL TANK	1		52	5300938-96/5	HUB W/LINE SAVE	1	
3	5300922-43/1	SCREW	1		53	5300938-98/1	LINE SAVER	1	
4	5300108-87/4	FUEL TANK ASS'Y	1		54	5300920-67/4	SPRING	1	
5	5300155-09/9	SCREW	2		55	5300920-68/2	ADAPTOR-SPRING	1	
6	5300151-23/9	WASHER	9		56	5300938-97/3	DRIVE GEAR	1	
7	5300151-68/4	SCREW	2		57	9527015-23/5	SPOOL W/LINE	1	
8	5300243-71/3	AIR FILTER	1		58	5300933-87/5	RELEASE BUTTON	1	
9	5300273-12/4	DECAL-STARTING INST.	1		59	5300921-33/4	COVE	1	
10	5300108-91/6	FAN HOUSING	1		60	5300106-18/3	ASSIST HANDLE	1	
11	5300153-05/2	SCREW	2		61	5300151-97/3	NUT	1	
12	5300261-19/4	CHECK VALVE	1		62	5300692-52/1	"T" HANDLE KIT	1	
13	5300267-35/7	STARTER HANDLE	1		63	5300938-45/2	DRIVE SHAFT HOUSING	1	
14	5300692-32/3	ROPE KIT	1		64	5300938-46/0	ARBOR SHAFT	1	
15	5300692-47/1	LINE KIT	1		65	5300922-43/1	SCREW	4	
16	5300108-97/3	FUEL PICK-UP ASS'Y	1		66	5300155-18/1	SCREW	1	
17	5300276-91/1	DECAL-CHOKE/OFF	1		67	5300932-14/1	BEARING HOUSING ASS'Y	1	(INCL. 64, 69, 71, 72)
18	5300420-67/5	RECOIL SPRING	1		68	5300692-56/2	SHIELD ASS'Y-18"	1	(INCL. 70, 73, & 74)
19	5300260-48/5	PULLEY	1		69	5300917-83/7	RETAINER-BEARING	2	
20	5300266-79/7	BUTTON-KILL SWITCH	1		70	5300115-37/4	SCREW	1	
21	5300265-59/1	SPRING-KILL SWITCH	1		71	5300922-27/4	WASHER	1	
22	5300153-82/1	WASHER-KILL SWITCH	1		72	5306255-09/1	SCREW	1	
23	5300154-07/6	SCREW	1		73	5300945-70/5	LINE LIMITER	1	
24	5300300-54/7	CRANKCASE SEALANT	1	3oz TUBE	74	5300152-17/9	NUT	1	
26	5300154-79/5	SCREW	1		75	5300690-86/3	BEARINGS & SPACER KIT	1	
27	5300253-42/3	TRIGGER-THROTTLE	1		76	5300922-16/7	WASHER	1	
28	5300153-82/1	WASHER	1		77	5300923-59/5	DUST CUP	1	
29	5300154-07/6	SCREW	1		78	5300922-18/3	GRASS WASHER	1	
30	5300691-96/0	KIT-WASHER-CLUTCH	1		79	5300938-31/2	FLEXIBLE DRIVE SHAFT	1	
31	5300691-94/5	KIT-CLUTCH ASS'Y	1						
33	5300151-28/8	SCREW	1						
34	5300691-81/2	IGNITION MODULE KIT	1						
35	5300244-35/6	GROMMET	1						
36	5300390-82/9	LEAD WIRE-HIGH TENSION	1						
37	5300039-33/5	CONNECTOR	1						
38	5300039-34/3	BOOT-SPARK PLUG	1						
39	5300391-03/3	H.T. LEAD ASS'Y	1	(INCL. 37 & 38)					
40	5300300-58/8	SPARK PLUG (CRCJ-8)	1						
41	5300107-96/7	DRUM AND COUPLING ASS'Y	1						
42	5300257-04/4	HANDLE	1						
44	5300151-63/5	SCREW	2						
45	5300120-96/0	SHROUD	1						
47	5300938-02/3	BOLT, PINCH CLAMP	1						
48	5300274-29/6	DECAL (UPPER)	1						
49	5300274-04/9	DECAL (LOWER)	1						
50	5300301-02/4	FLEX SHAFT LUBE	1						





WEEDEATER 1700 9527033-20

KEY No.	PART No	DESCRIPTION	QUANTITY	COMMENTS APPLICATION	KEY No.	PART No	DESCRIPTION	QUANTITY	COMMENTS APPLICATION
81	5014699-01/0	SCREW	1		129	5300267-72/0	SHUTTER CHOKE	1	
82	5053167-54/9	PUMP COVER ASS'Y	1	(INCL. 84)	130	5300267-97/7	GUIDE PLATE	1	
84	5300351-56/5	SCREW	1		131	5300351-83/9	CARBURETOR	1	
85	5041309-06/2	GASKET	1	● ■	132	5300191-57/3	GASKET	1	▲
86	5016661-01/8	SCREEN INLET	1	■	133	5300320-29/6	BEARING-CRANKSHAFT	2	
87	5041308-01/5	DIAPHRAGM-PUMP	1	● ■	134	5300153-51/6	THRUST WASHER	2	
88	5017816-01/7	VALVE-THROTTLE	1		135	5300151-26/2	KEY-FLYWHEEL	1	
89	5053167-36/6	CLIP	1		136	5300108-44/5	CRANKSHAFT & ROD ASS'Y	1	
90	5300351-38/3	SPRING	1		137	5300151-62/7	RETAINER	2	
91	5300350-15/3	SCREW	1	■	138	5300266-81/3	PISTON RING	1	
92	5300351-32/6	SHAFT ASSEMBLY	1		139	5300191-11/0	GASKET	1	▲
93	5014673-01/5	SPRING	1		140	5300152-39/3	SCREW	1	
94	5300351-41/7	NEEDLE	1		141	5300156-74/1	SCREW	1	
95	5300351-39/1	SPRING	1	■	142	5300152-35/1	SCREW	2	
96	5031170-01/1	VALVE	1	■	143	5300271-00/3	COVER	1	
97	5053201-27/2	LEVER	1	■	145	5300104-53/5	CARB. CASE ASS'Y	1	
98	5053167-21/8	SPRING	1		146	5300191-08/6	GASKET	1	▲
99	5017822-01/5	NEEDLE	1		147	5300244-38/0	REED VALVE	1	
100	5055201-25/4	PIN-METERING LEVER	1	■	148	5300233-67/2	WASHER	1	
101	5053167-17/6	SCREW	1		149	5300152-41/9	SCREW	1	
102	5017813-01/4	GASKET-CIRCUIT PLATE	1	● ■	150	5300320-92/5	BEARING-WRIST PIN	1	
103	5053167-65/5	PLATE-CIRCUIT	1		151	5300692-41/4	PISTON KIT	1	
104	5053167-58/0	SCREW-CIRCUIT PLATE	1	■	152	5300121-91/9	CYLINDER	1	
105	5300351-51/6	GASKET	1	● ■ 3oz TUBE	153	5300248-03/3	SPRING	1	
106	5041308-08/0	DIAPHRAGM ASS'Y	1	● ■	154	5300692-43/0	MUFFLER ASS'Y	1	
107	5031087-01/7	SCREW ASS'Y	4		155	5300271-90/4	THROTTLE WIRE	1	
108	5300351-49/0	COVER	1		156	5300157-23/6	SCREW	1	
109	5300351-85/4	KIT-CARB. KWIK REPAIR	1	(■ IND. CONTENTS)	157	5300157-41/8	WAVE WASHER	1	
110	5300351-86/2	KIT-CARB. GASKET/DIAPHRAGM	1	(● IND. CONTENTS)	158	5300157-40/0	SCREW	1	
111	5300269-81/7	FUEL LINE FITTING	1		159	5300156-73/3	SPACER	1	
112	5300210-73/8	FUEL LINE	1		160	5300692-19/0	ENGINE GASKET KIT	1	(▲ IND. CONTENTS)
113	5306266-05/6	NUT	1						
114	5300420-59/2	SPRING	2						
115	5300151-27/0	WASHER	1						
117	5300391-14/0	FLYWHEEL ASS'Y	1	(INCL. 115)					
118	5300153-69/8	SCREW	2						
119	5300271-01/1	KNOB	1						
120	5300191-05/2	SEAL-CARB. CASE	1	▲					
121	5300233-73/0	BOOT	1						
123	5300190-59/1	SEAL-CRANKSHAFT	2	▲					
124	5300150-04/1	SCREW	1						
125	5300246-51/8	CLAMP-CHOKE WIRE	1						
126	5300107-57/9	CRANKCASE ASS'Y	2	(INCL. 123, 133 & QTY.1 of 118)					
127	5300156-30/3	SCREW	1						
128	5300152-54/2	WAVE WASHER	1						

WHERE NO APPLICATION DETAILS ARE SHOWN, PART APPLIES TO ALL COUNTRIES

PRODUCT VARIANT
9527033-20 GB

N.B. WHERE A FAILURE OCCURS WITHIN WARRANTY, WHICH WOULD INVOLVE REPLACEMENT OF ANY OF THE FOLLOWING PARTS, YOU SHOULD FIRST CONTACT FLYMO TECHNICAL SERVICE DEPARTMENT: CYLINDER, PISTON ASSY., CRANKSHAFT ASSY., CRANKCASE, COMPLETE CARBURETTOR ASSY.