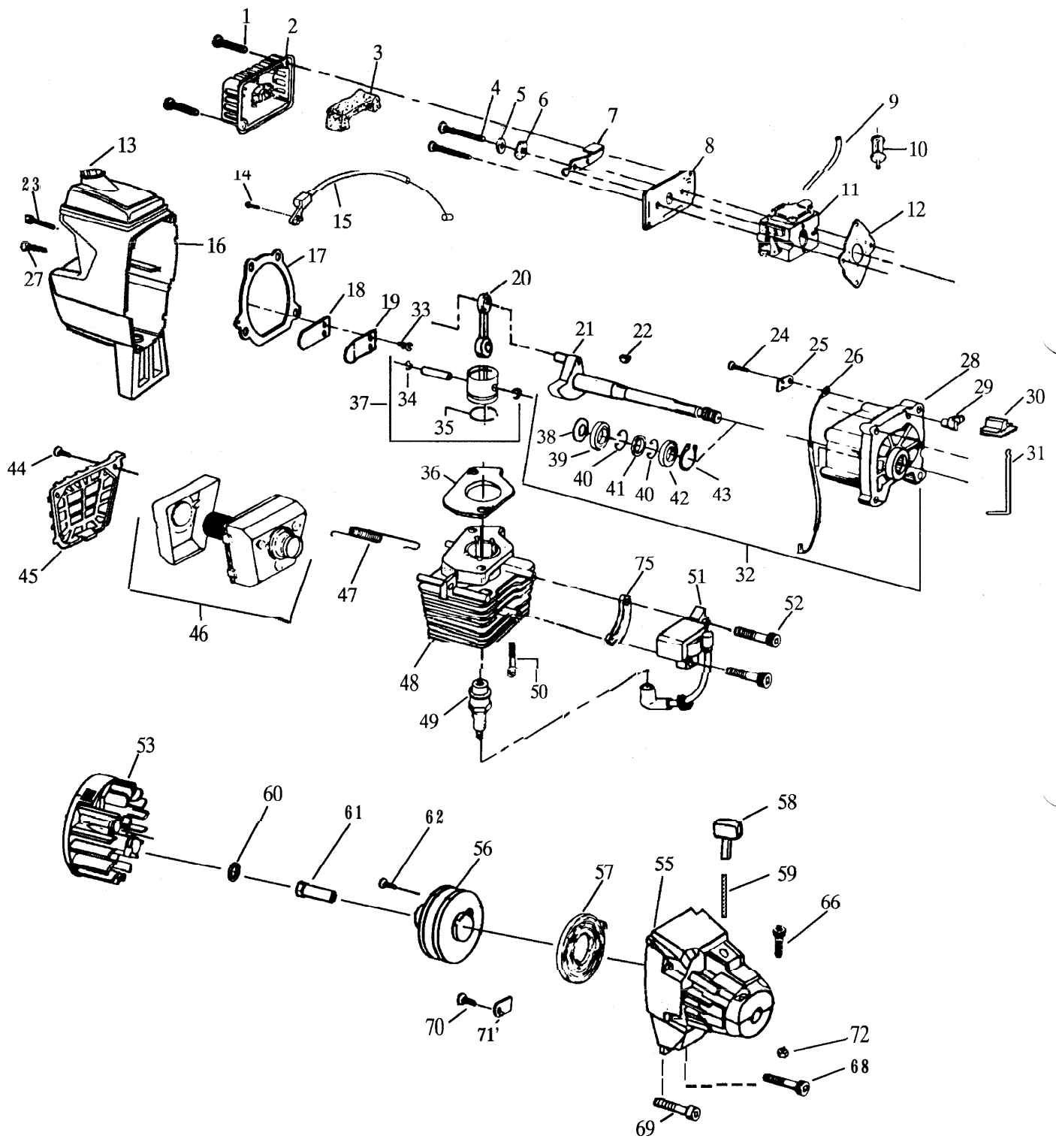




# MAXI-TRIM 9527034-00 9527034-70



Engine Gasket Kit  
73

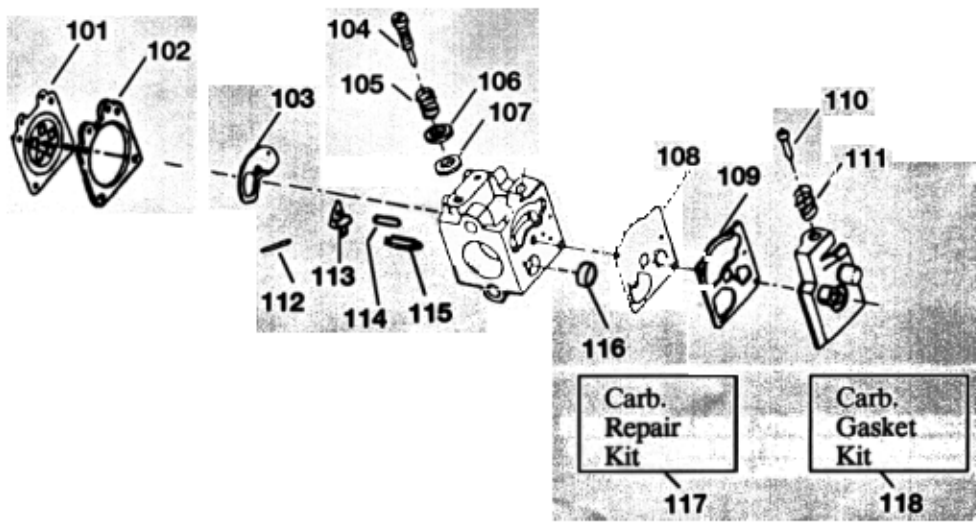
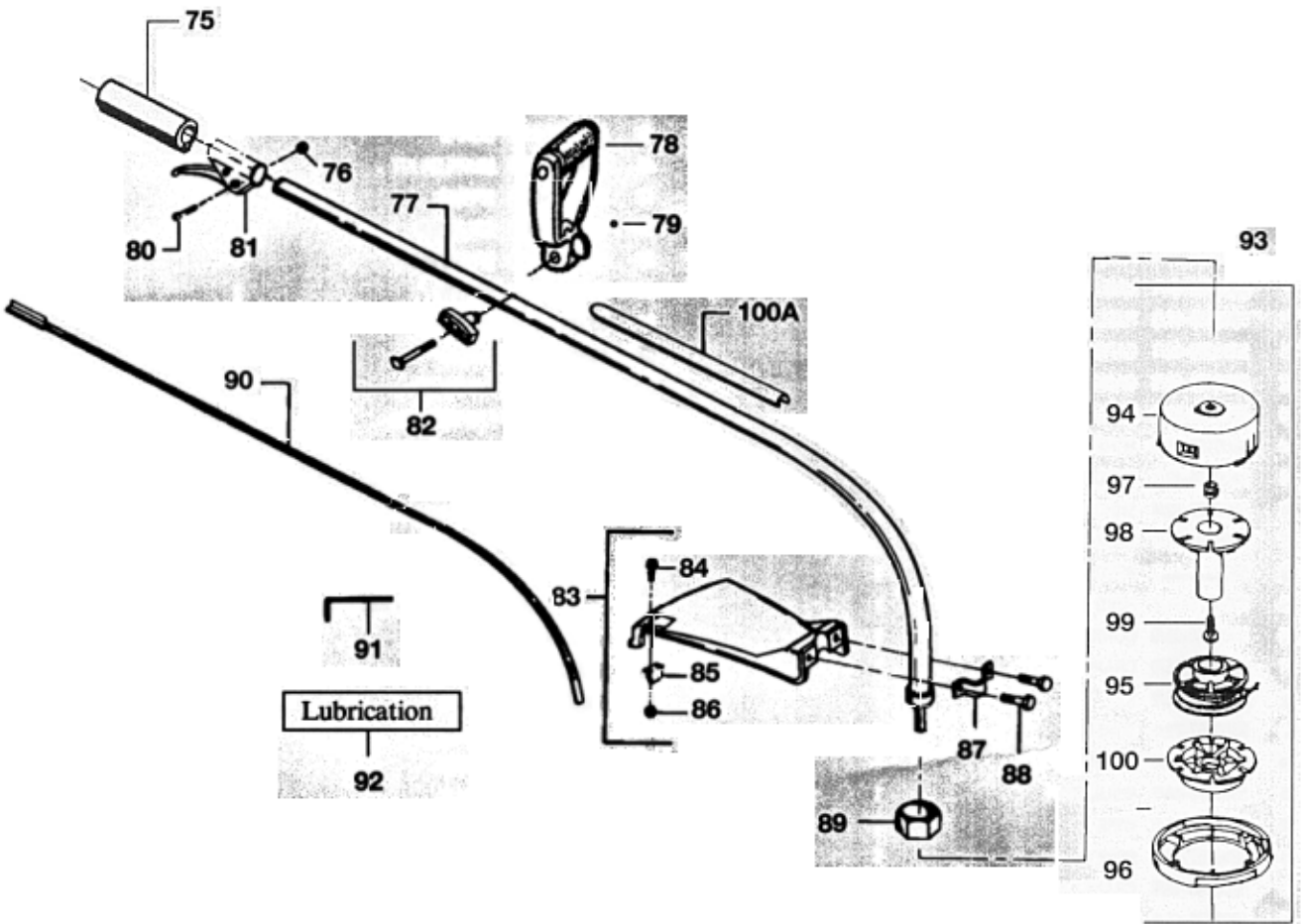
Spark Arrestor Kit  
74



# MAXI-TRIM 9527034-00 9527034-70

KEY No.	PART No	DESCRIPTION	QUANTITY	COMMENTS APPLICATION	KEY No.	PART No	DESCRIPTION	QUANTITY	COMMENTS APPLICATION
1	5300157-73/1	SCREW	2		42	5300321-02/2	BEARING		
2	5300275-29/3	AIR FILTER COVER	1		43	5300157-89/7	RETAINING RING	1	
3	5300275-30/1	AIR FILTER			44	5300157-17/8	SCREW	2	
4	5300157-66/5	SCREW	2		45	5300277-23/1/1	GUARD		
5	5300275-28/5	SPACER			46	5300692-57	MUFFLER KIT		
6	5300152-54/2	WAVE WASHER			47	5300249.031	SPRING	1	
7	5300275.261	SHUTTER	1		48	5300122.44	CYLINDER		
8	5300275-27/7	PLATE			49	5300300-77/8	SPARK PLUG		
9	5300692-47/1	LINER KIT	1		50	5300152-23/3	SCREW	2	
10	5300108-971	FUEL PICKUP ASSY	1		51	5300391-34/8	MODULE		
11	5300352-62/1	CARBURETOR			52	5300151-28/8	SCREW	2	
12	5300191-561	GASKET	1	▲	53	5300391-36/3	FLYWHEEL		
13	5300108-07/2	FUEL CAP ASSY			55	5300140-45/5	FAN HOUSING		
14	5300157-751	SCREW			56	5300692-91/9	STARTER PULLEY KIT	1	(INCL. 62)
15	5300275-49/1	THROTTLE CABLE	1		57	5300275-31/9	STARTER SPRING		
16	5300279-82/4	SHROUD AND TANK ASSY	1		58	5300275-69/9	STARTER HANDLE		
17	5300191-54/0	GASKET	1	▲	59	5300692-32/3	ROPE KIT	1	
18	5300275-93/9	REED VALVE			60	5300151-27/0	WASHER		
19	5300275-94/7	REED STOP			61	5300279-53/5	DRIVE COUPLING		
20	5300140-05/9	CONNECTING ROD	1		62	5300158-23/4	SCREW		
21	5300109-45/0	CRANKSHAFT	1		63	5300275-25/1	SPACER		
22	5300151-261	KEY			66	5300157-67/3	SCREW	2	
23	5300157-72/3	SCREW	2		68	5300157-70/7	SCREW	4	
24	5300157-801	SCREW	1		69	5300157-69/9	SCREW	2	
25	5300275-46/7	INSULATOR			70	5300154-96/9	SCREW		
26	5300275-47/5	WIRE	1		71	5300275-23/6	RETAINER		
27	5300157-71/5	SCREW			72	5300157-68/1	NUT	2	
28	5300140-16/6	CRANKCASE	1	(INCL. 39. 42)	73	5300692-76/0	GASKET KIT	1	(A IND. CONTENTS)
29	5300275-45/9	RAMP	1		74	9527016-12/6	SPARK ARRESTOR KIT		
30	5300279-58/4	KILLSWITCH BUTTON							
31	5300279-59/2	KILLSWITCH SPRING	1						
32	5300140-04/2	CRANKCASE/SHAFT	1						
33	5300152-411	SCREW							
34	5300151-62/7	PIN RETAINER	1						
35	5300264-13/1	PISTON RING							
36	5300191-61/5	GASKET	1	▲					
37	5300692-74/5	PISTON KIT	2	(INCL. 34. 35 & PIN)					
38	5300157-88/9	SPACER							
39	5300321-031	BEARING							
40	5300157-87/1	RETAINING RING							
41	5300191-58/1	SEAL							

**N.B. WHERE A FAILURE OCCURS WITHIN WARRANTY, WHICH WOULD INVOLVE REPLACING ANY MAJOR ENGINE PARTS, YOU MUST FIRST CONTACT FLYMO TECHNICAL SERVICE DEPARTMENT TO GAIN SPECIAL AUTHORIZATION.**



KEY No.	PART No	DESCRIPTION	QUANTITY	COMMENTS	APPLICATION
75	5300275-95/4	GRIP	1		
76	5300157-68/1	NUT	1		
77	5300946-88/5	DRIVESHAFT HSG.	1		
76	5300109-57/5	HANDLE	1		
79	5300151-97/3	NUT	1		
80	5300157-74/9	SCREW	1		
61	5300109-59/1	THROTTLE LEVER ASSY	1		
62	5300692-52/1	HANDLE KIT	1		
83	5300692-82/8	SHIELD KIT	1	(INCL. 84.85.86.88)	
84	5300153-37/5	SCREW	1		
85	5300945-70/5	LINELIMITER	1		
86	5300152-17/9	NUT	2		
87	5300936-53/0	BRACKET	1		
88	5300922-43/1	SCREW	1		
89	5300945-43/2	DUST CAP	1		
90	5300946-711	DRIVESHAFT	1		
91	5300311-11/4	HEX WRENCH 5132	1		
92	5300301.021	GREASE% FL. 02	1		
93	9527016-04/3	CUTTING HEAD ASSY	1	TAP-N-GO 2	
94	5300945-62/2	HUB ASSY	1		
95	5303451-71/9	SPOOL W/LINE	1	BROWN SPOOL	
96	5300945-21/8	COVER	1		
97	5300945-25/9	SPRING	1		
98	5300945-23/4	PLATE	1		
99	5300155-42/0	SCREW	1		
100	5300945-22/6	BUTTON	1		
100A	5300274-30/4	DECAL SHAFT WARNING	1		
101	5300350-14/6	DIAPHRAGM	1	■ ●	
102	5300351.511	GASKET METERING	1	■ ●	
103	5300352-11/8	GASKET	1	■ ●	
104	5300352-12/6	NEEDLE	1		
105	5300352-14/2	SPRING	1		
106	5300352-17/5	WASHER	1		
107	5300352-18/3	"O" RING MIXTURE	1	■ ●	
108	5300351-66/4	DIAPHRAGM	1	■ ●	
109	5300351-64/9	GASKET	1	■ ●	
110	5300352-03/5	SCREW	1		
111	5300352-08/4	SPRING	1		
112	5300350-28/6	PIA METERING	1	■	
113	5300350-31/0	LEVER METERING	1	■	
114	5300351-88/8	METERING LEVER SPRING	1	■	
115	5300351-06/0	INLET NEEDLE VALVE	1	■	
116	5300351-78/9	SCREEN	1	■	
117	5300352-64/7	CARB. KWIK REPAIR KIT	1	(■ IND.CONTENTS)	
118	5300352-19/1	GASKET DIAPH.	1	(● IND.CONTENTS)	