

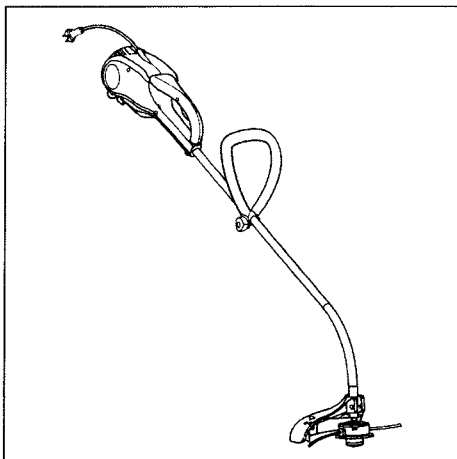
# McCULLOCH®

## Flymo

### ILLUSTRATED PARTS LIST

# REX 900 MAXI TRIM 900

SERIAL NUMBER PREFIX - 01



January 2002

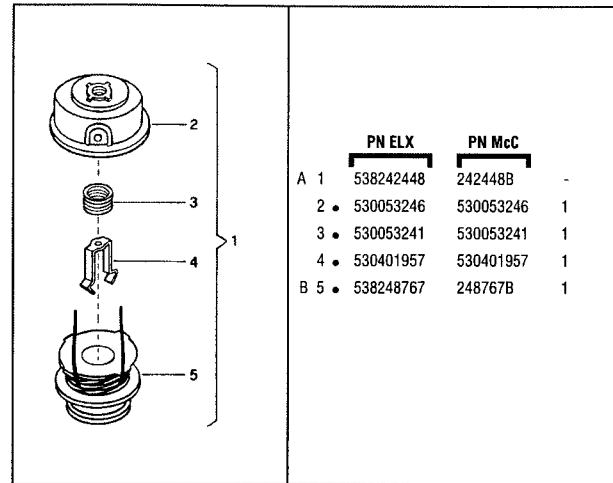
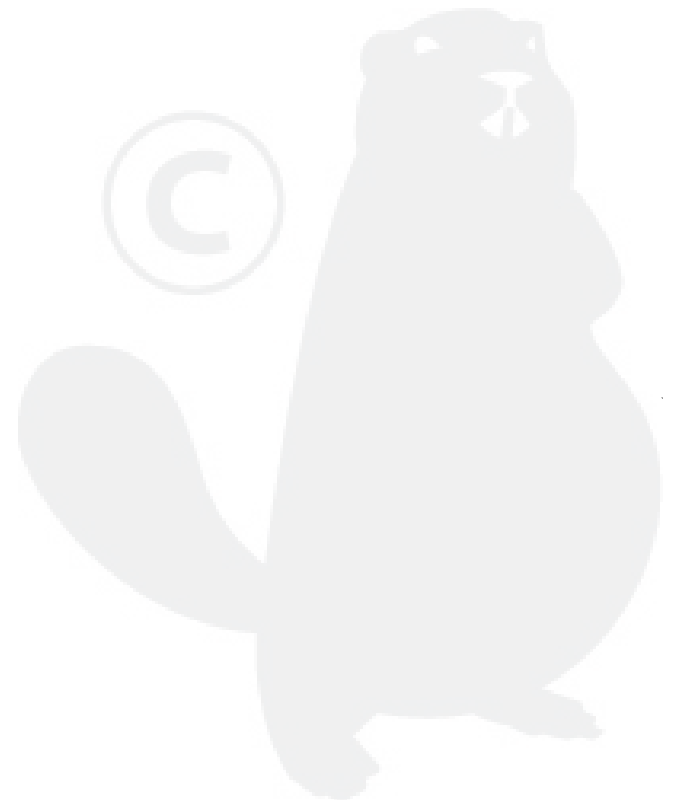
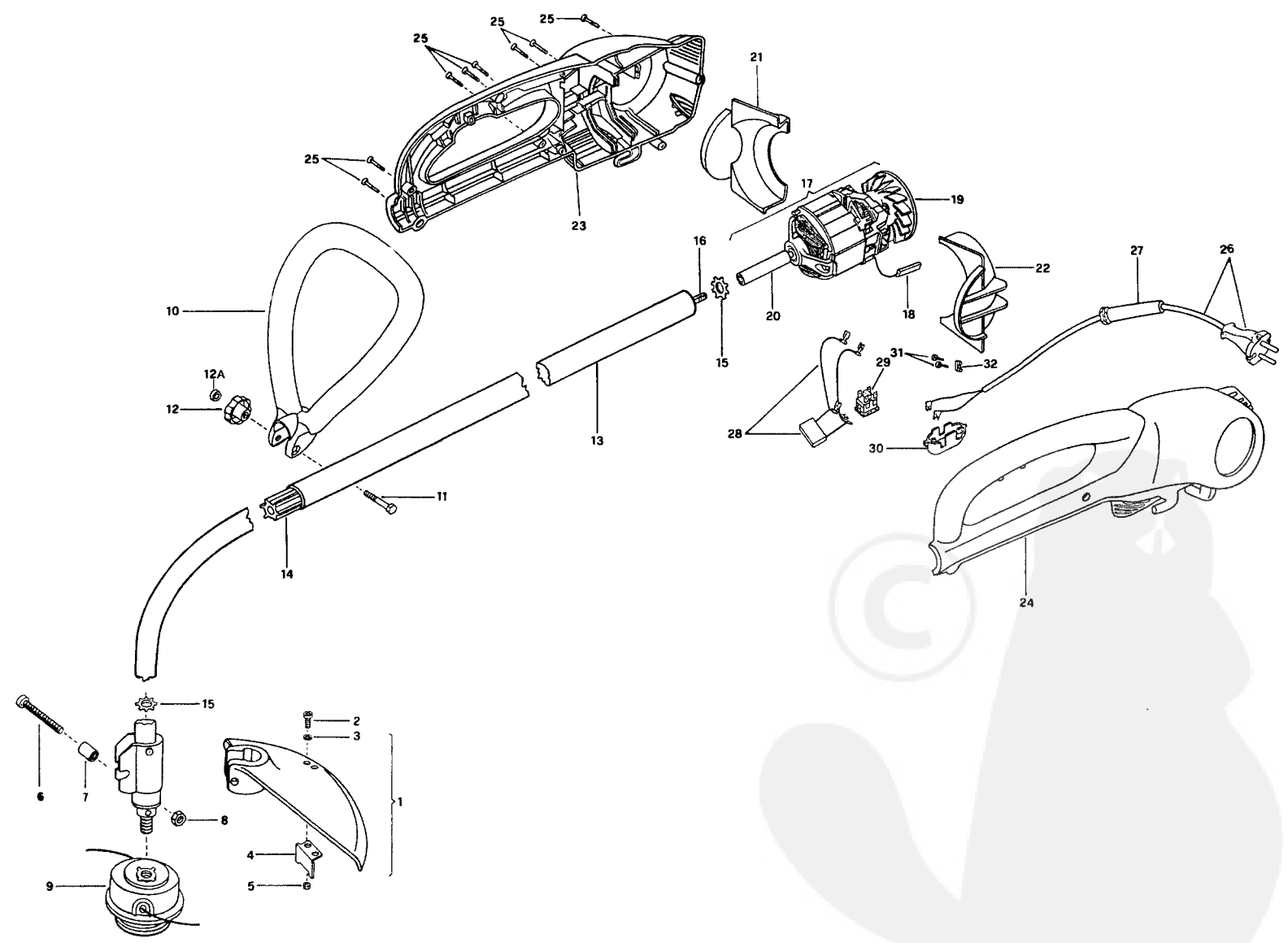


FIGURE 2

A = high moving - alta rotazione - haute demande - große Nachfrage  
B = medium moving - media rotazione - moyenne demande - mittelmäßige Nachfrage  
C = slow moving - bassa rotazione - basse demande - wenige Nachfrage



	PN ELX	PN McC		
B 1	538242137	242137	Black	1
B 1	538242389	242389	Grey	1
2	• 538236381	236381	M5x10	2
3	• 538235248	235248		2
4	• 538241973	241973		1
5	• 538235642	235642		2
6	• 538235921	235921	M6x30	1
7	• 538242061	242061		1
8	• 538235912	235912		1
A 9	FIGURE 2	FIGURE 2		
C 10	538248574	248574	Black	1
C 10	538248725	248725	Grey	1
11	• 538240128	240128	M6x50	1
B 12	• 538242147	242147	Black	1
B 12	• 538242388	242388	Grey	1
12A	• 538235912	235912		1
13	538242000	242000		1
14	• 538242002	242002		1
15	• 538241745	241745		2
C 16	538242082	242082		1
C 17	538242022	242022		1
C 18	• 538048956	00248956		2
19	• 538242060	242060		1
C 20	• 538242012	242012		1
21	538242010	242010		1
22	538242009	242009		1
23	538242008	242008	Yellow	1
23	538242149	242149	Orange	1
24	538242007	242007	Yellow	1
24	538242148	242148	Orange	1
25	538240862	240862		8
26	538242081	242081		1
27	• 538241051	241051		1
28	538242080	242080		1
C 29	538241576	241576		1
30	538242011	242011	Black	1
30	538242386	242386	Grey	1
31	538240862	240862		2
32	538241052	241052		1



**FIGURE 1**

A = high moving - alta rotazione - haute demande - große Nachfrage  
 B = medium moving - media rotazione - moyenne demande - mittelmäßige Nachfrage  
 C = slow moving - bassa rotazione - basse demande - wenige Nachfrage

<b>Brand</b>	McCulloch, Partner, Flymo
--------------	---------------------------

<b>date</b>	06/04/2004
<b>number</b>	VB0404001

Models			
953900324	MAXI TRIM 900	953900452	MT 900 EURO
953900467	YARDPRO RT 900	953900539	MT 900 PARTNER
953900252	REX 900 EURO	953900215	CABRIO 244 TRIMMER
953900279	B 244 TRIMMER	953900267	CABRIO 243 TRIMMER
953900275	RANCHERO HL 243		

Starting from today, we inform you that for the above mentioned trimmers, a new strengthened handle has been introduced due to the failures occurred on the previous version. See figure below for new parts codes (note that Part Numbers for kits remain the same)

